

# Lekolar®

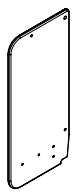
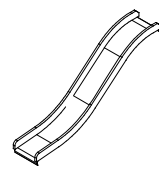
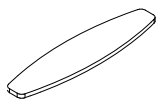
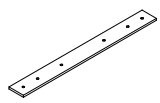

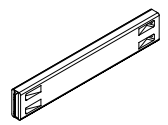
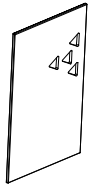

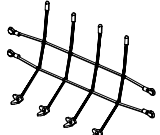
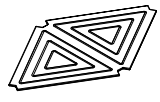


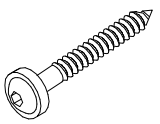

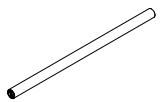
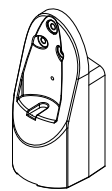
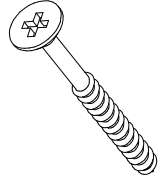
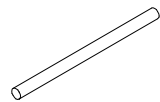
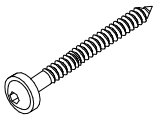
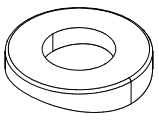
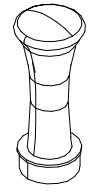
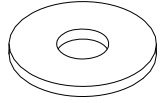
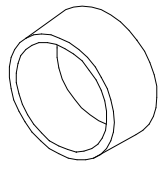

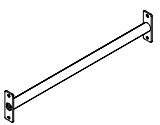




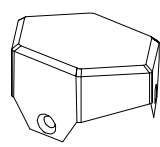
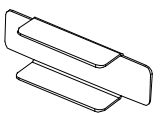
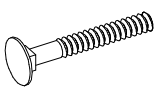
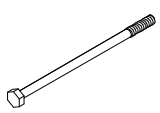

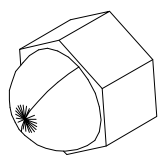
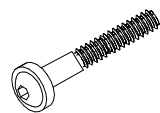
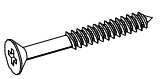
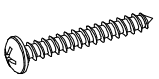
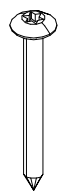
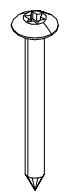

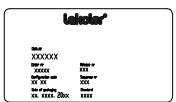
## ASENNUSOHJE MONTERINGSANSVISNING INSTALLATION INSTRUCTION AUFBAUANLEITUNG NOTICE D'INSTALLATION

DATE: 3.11.2016

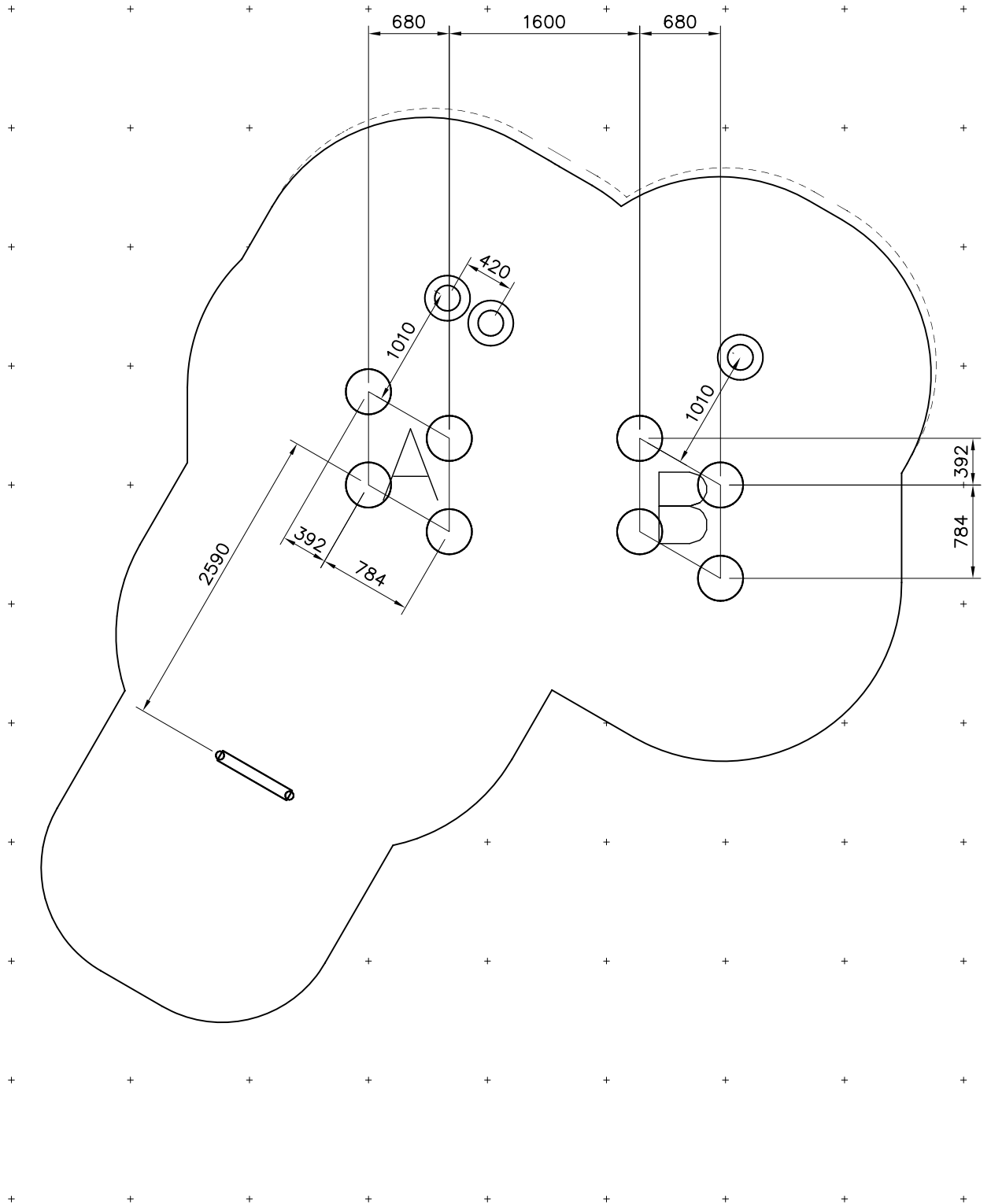
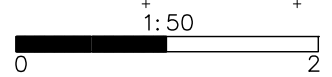
### LEK1529



DATE: 3.11.2016

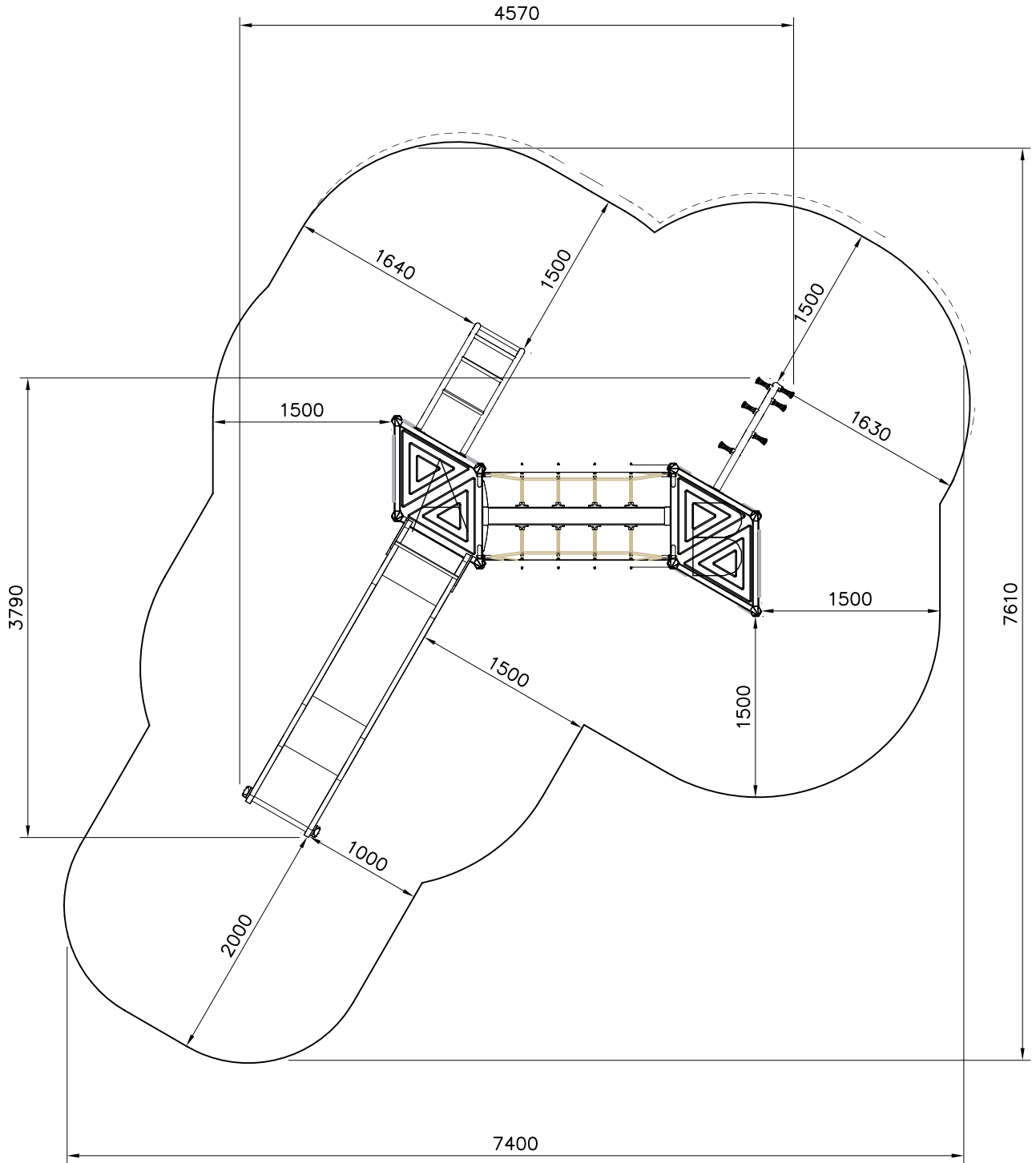
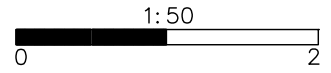
|   |           |   |           |   |           |   |           |   |           |   |           |
|---|-----------|---|-----------|---|-----------|---|-----------|---|-----------|---|-----------|
| 706371-705  | PCS<br>2  | 706450-604  | PCS<br>1  | 706453  | PCS<br>1  | 707133  | PCS<br>1  | 707828-620  | PCS<br>8  | 707829-620  | PCS<br>14 |
|    |           |    |           |    |           |    |           |    |           |    |           |
| 15x345x750  |           | 600x1381x2685   |           | 15x145x600  |           | 10x80x745   |           | 90x80x2200  |           | L 704   |           |
| 707830-705  | PCS<br>2  | 707831-705  | PCS<br>6  | 707832-303  | PCS<br>2  | 707897  | PCS<br>2  | 707903  | PCS<br>1  | 708012  | PCS<br>2  |
|    |           |    |           |    |           |    |           |    |           |    |           |
| 15x880x544  |           | 15x880x102  |           |   |           | 1306x778  |           | 70x145x1550   |           | 35x45x727   |           |
| 900240  | PCS<br>40 | 900727  | PCS<br>4  | 901868  | PCS<br>3  | 901879  | PCS<br>2  | 902270  | PCS<br>24 | 902442  | PCS<br>2  |
|    |           |    |           |    |           |    |           |    |           |    |           |
| Ø8x70   |           | M10x80  |           | Ø34x598   |           |   |           | Ø5x50   |           | Ø8x400  |           |
| 903093  | PCS<br>58 | 904801  | PCS<br>14 | 905023  | PCS<br>6  | 905051  | PCS<br>4  | 905112  | PCS<br>14 | 907688-216  | PCS<br>4  |
|  |           |  |           |  |           |  |           |  |           |  |           |
| Ø8x90   |           | Ø24/Ø12   |           | Ø50x126   |           | Ø24/8.4   |           | Ø22   |           |   |           |
| 907694-216  | PCS<br>4  | 908399  | PCS<br>8  | 908400  | PCS<br>1  | 908401  | PCS<br>1  | 908425  | PCS<br>2  | 908428  | PCS<br>8  |
|  |           |  |           |  |           |  |           |  |           |  |           |
| L 704   |           | L=850   |           |   |           |   |           |   |           | 50x90x80  |           |
| 908500  | PCS<br>2  | 909118  | PCS<br>8  | 909148  | PCS<br>6  | 909210  | PCS<br>4  | 909633  | PCS<br>14 | 909876  | PCS<br>2  |
|  |           |  |           |  |           |  |           |  |           |  |           |
| 250x76  |           | M8x70   |           | M8x150  |           | M8x40   |           | M8  |           | M8x40   |           |
| 980100  | PCS<br>12 | 980106  | PCS<br>24 | 980123  | PCS<br>56 | 980128  | PCS<br>85 | 999561  | PCS<br>1  | 708060  | PCS<br>1  |
|  |           |  |           |  |           |  |           |  |           |  |           |
| Ø5x60   |           | Ø5x40   |           | Ø7x60   |           | Ø7x40   |           | 10g   |           | 90x50   |           |

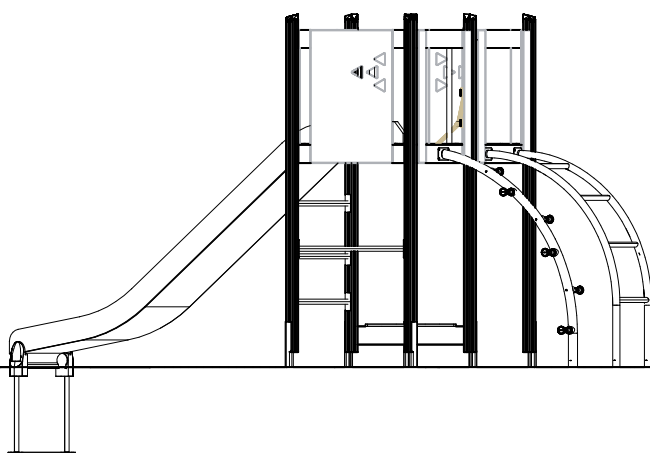
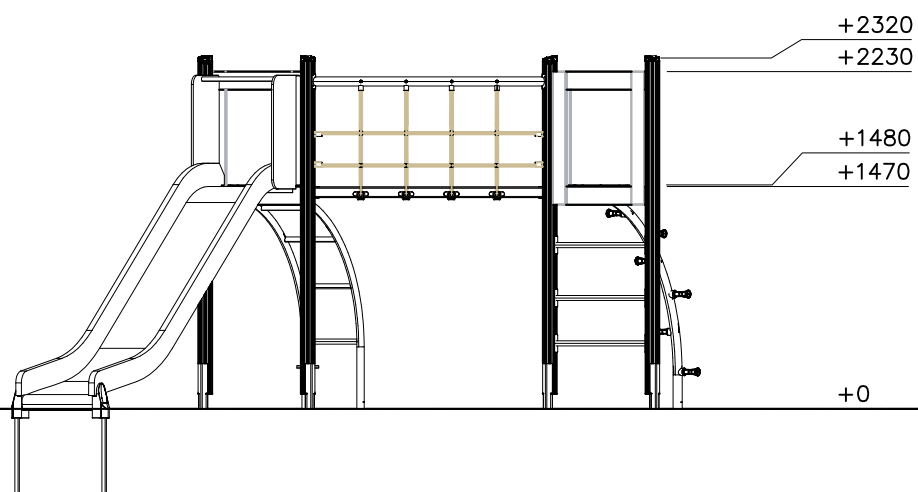
- EN/AS Impact Area 35.3 m<sup>2</sup>
- - - Falling Space 32.5 m<sup>2</sup>
- Max Falling Height 1480 mm
- + Grid size = 1000 mm +

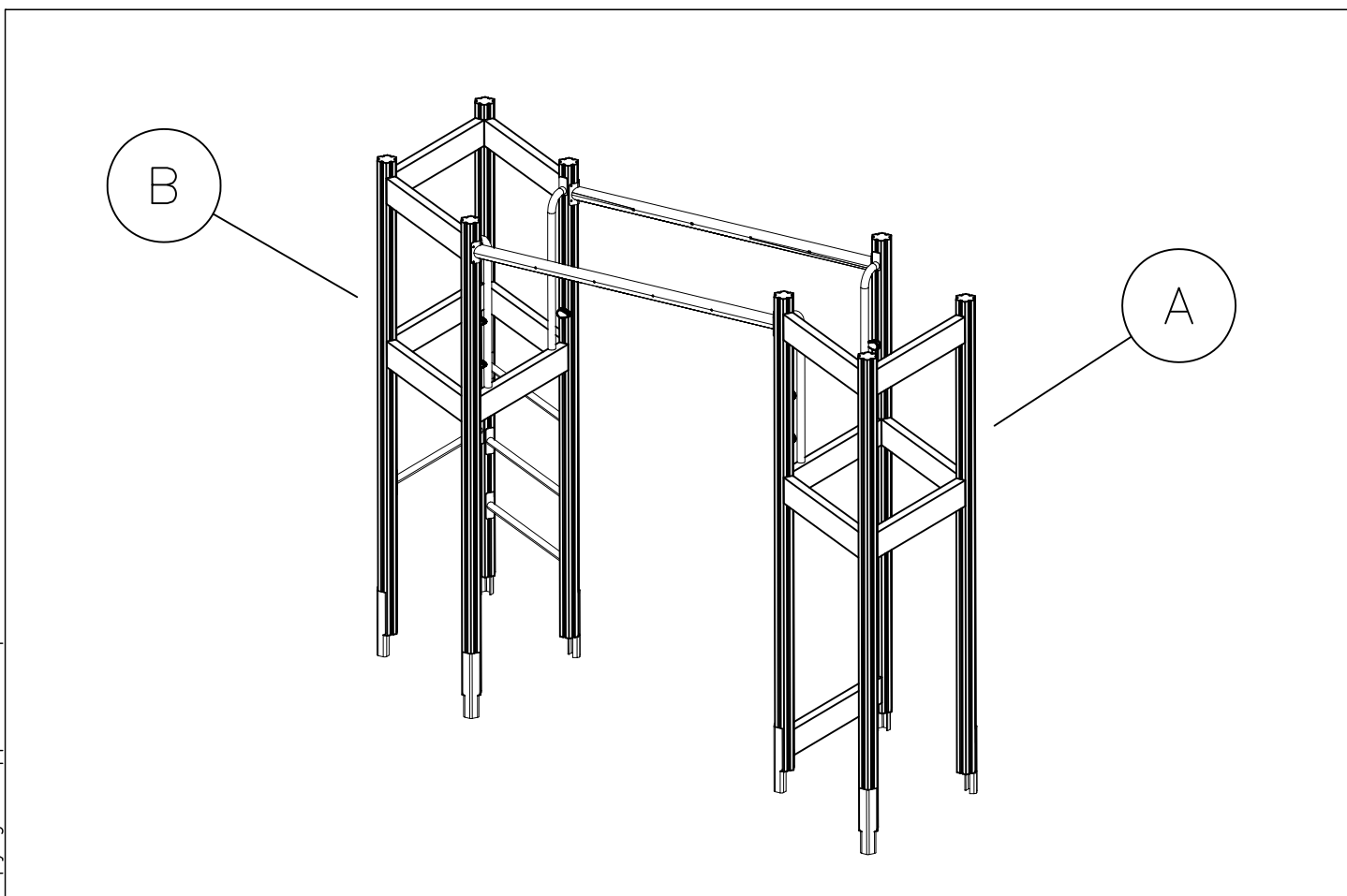
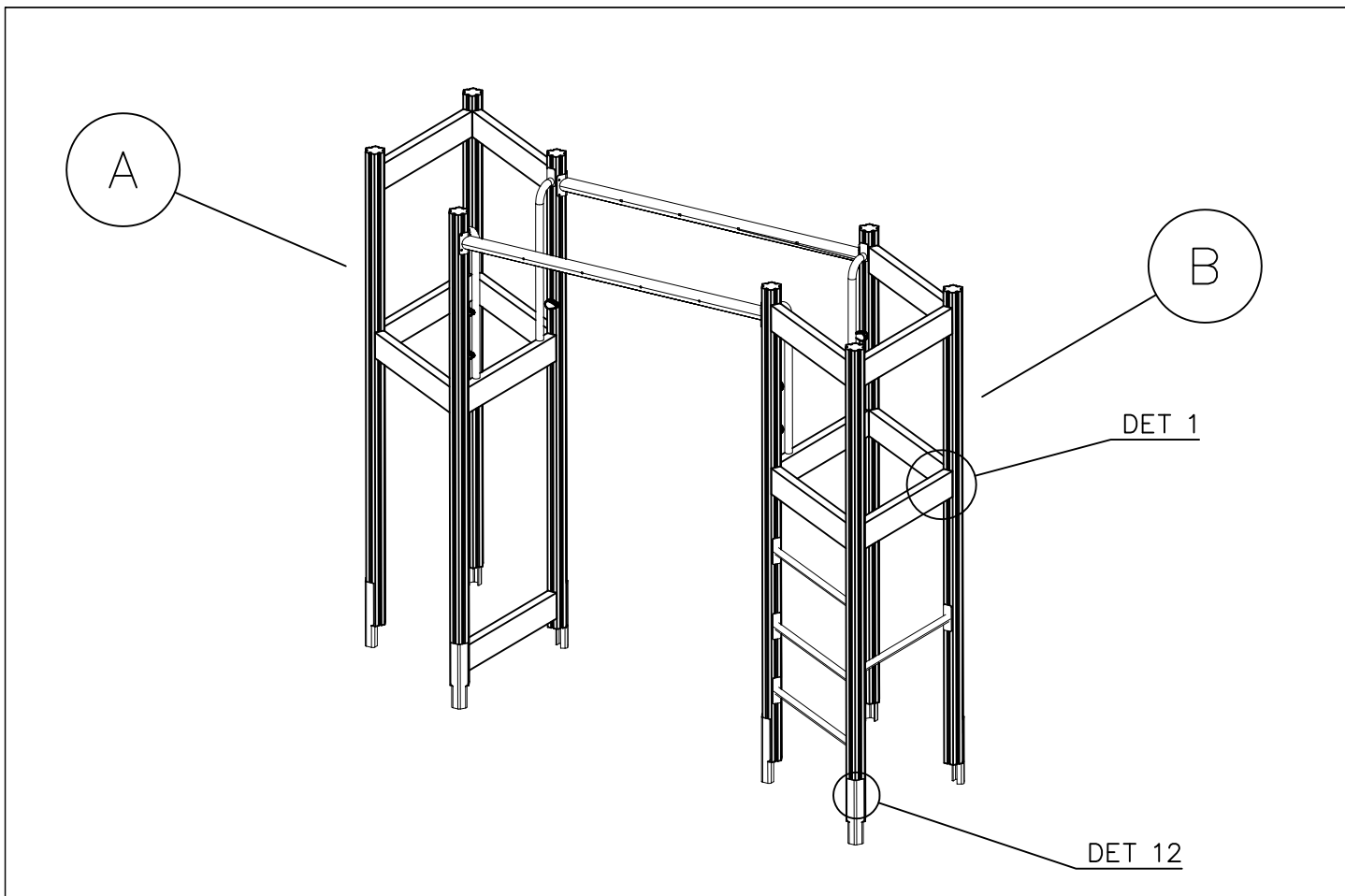


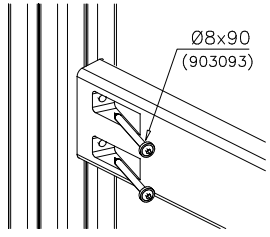
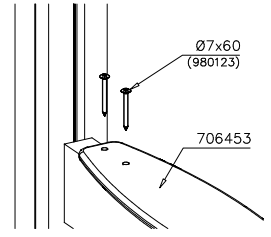
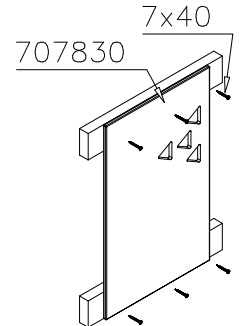
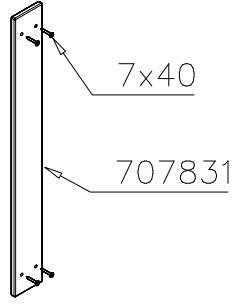
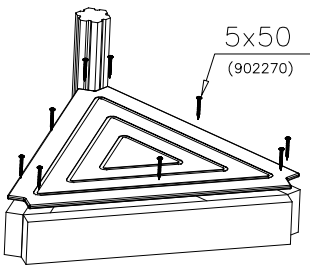
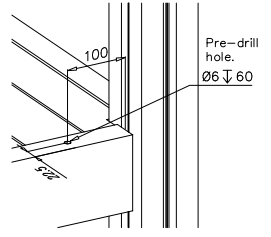
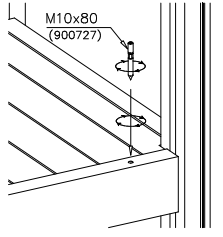
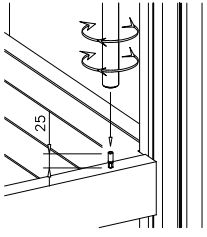
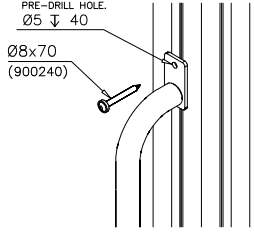
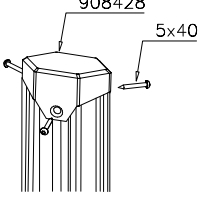
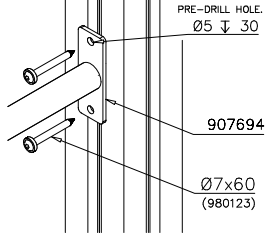
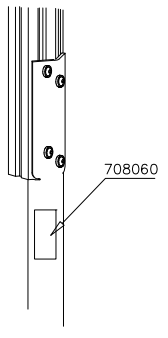
|  |  |  |
|--|--|--|
| <p>PRE-DRILL HOLE<br/>Ø5 <math>\nabla</math> 40</p> <p>Ø8x70</p> <p>908399</p>           | <p>Sand 0.2-2 mm/<br/>Gravel 2-8 mm</p> <p>Concrete<br/>500x500x300</p> <p>300</p> | <p>Sand 0.2-2 mm/<br/>Gravel 2-8 mm</p> <p>Concrete<br/>700x500x300</p> <p>300</p> <p>902443</p> |
| <p>HIEKKA<br/>SAND<br/>2-6mm</p> <p>300</p> <p>CONCRETE /<br/>BETONI<br/>500x500x300</p> | <p>600</p> <p>S</p>  |  |
|  |  |  |
|  |  |  |

- EN/AS Impact Area 35.3 m<sup>2</sup>
- - - Falling Space 32.5 m<sup>2</sup>  
Max Falling Height 1480 mm



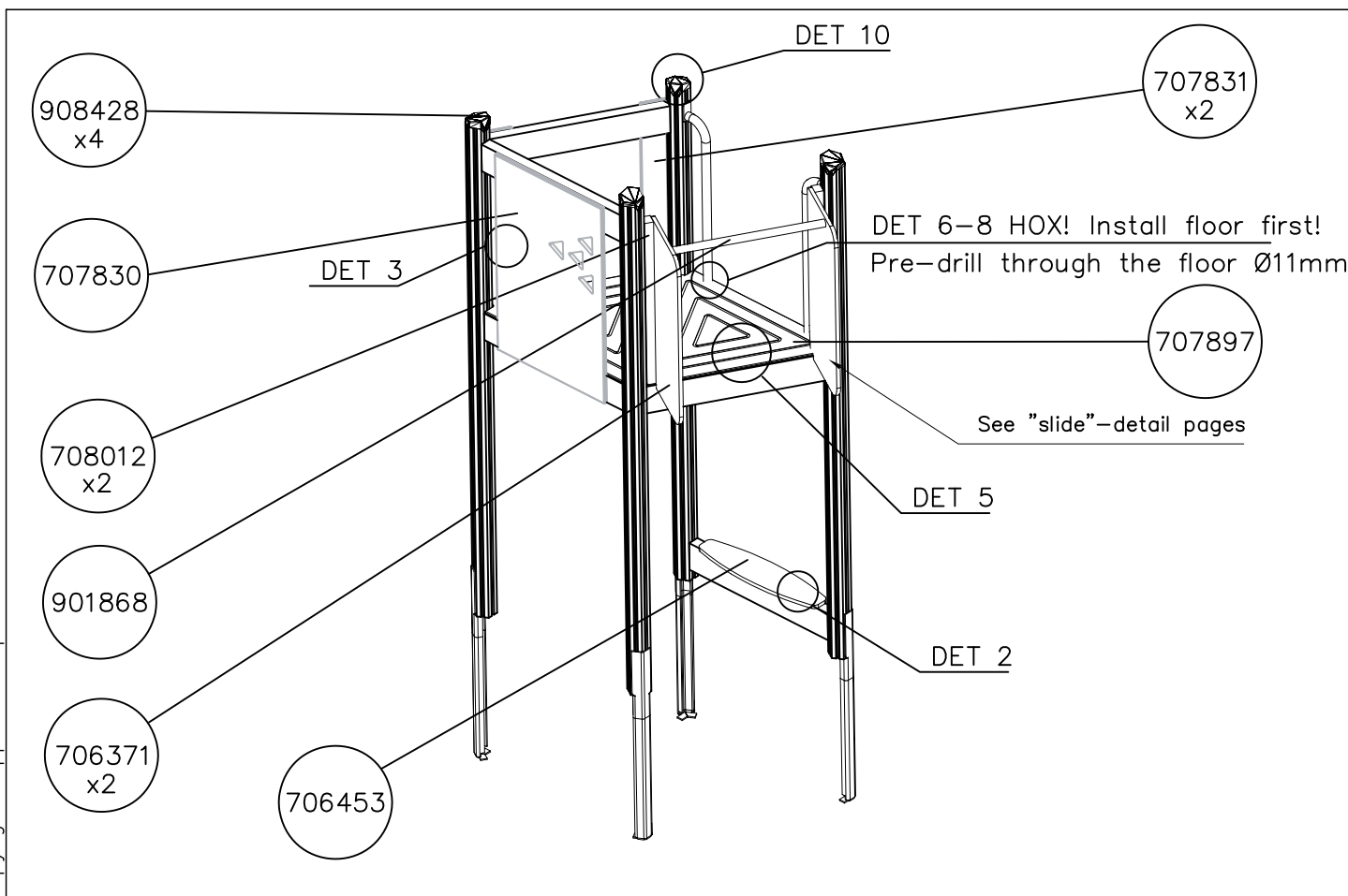
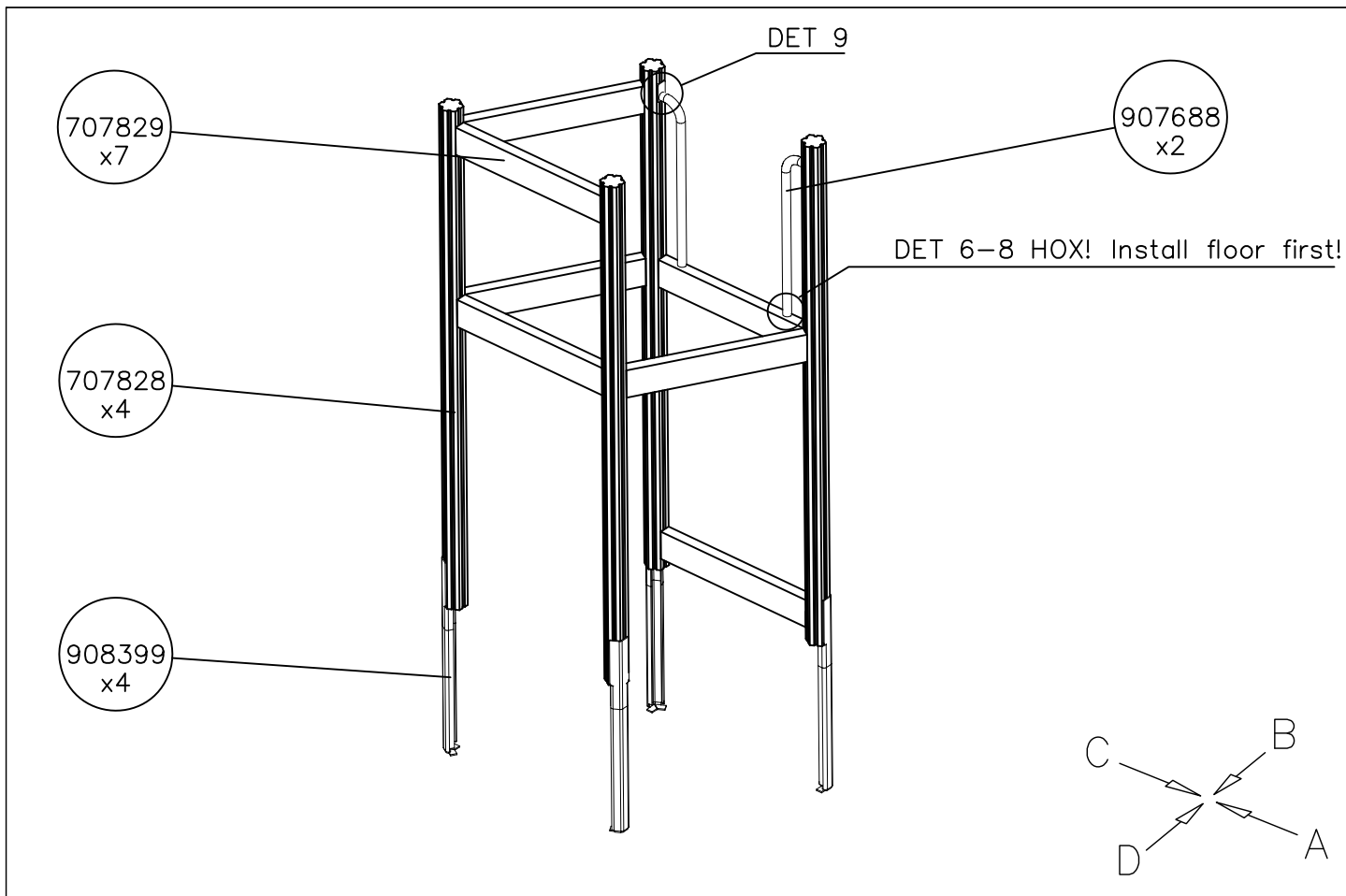




|   |  |   |  |
|---|--|---|--|
| <p>DET 1</p>  <p>Ø8x90<br/>(903093)</p>                                      | <p>DET 2</p>  <p>Ø7x60<br/>(980123)</p> <p>706453</p>       | <p>DET 3</p>  <p>707830</p> <p>7x40</p>   | <p>DET 4</p>  <p>707831</p> <p>7x40</p> |
| <p>DET 5</p>  <p>5x50<br/>(902270)</p>                                       | <p>DET 6</p>  <p>100</p> <p>Pre-drill hole.<br/>Ø6 ↓ 60</p> | <p>DET 7</p>  <p>M10x80<br/>(900727)</p>  | <p>DET 8</p>  <p>25</p>                 |
| <p>DET 9</p>  <p>PRE-DRILL HOLE.<br/>Ø5 ↓ 40</p> <p>Ø8x70<br/>(900240)</p> | <p>DET 10</p>  <p>908428</p> <p>5x40</p>                  | <p>DET 11</p>  <p>PRE-DRILL HOLE.<br/>Ø5 ↓ 30</p> <p>907694</p> <p>Ø7x60<br/>(980123)</p> | <p>DET 12</p>  <p>708060</p>          |
|   |  |   |  |
|   |  |   |  |



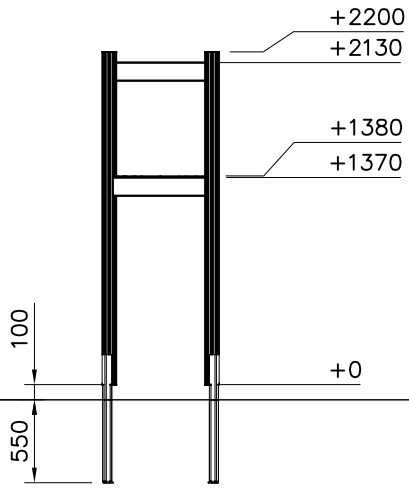
DATE: 3.11.2016



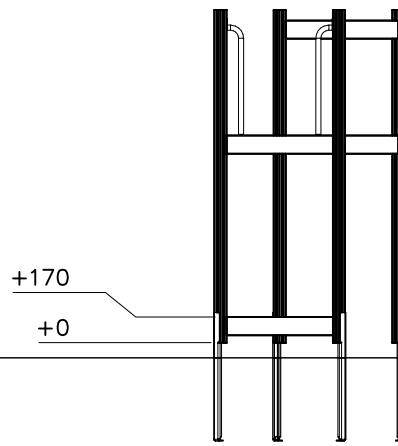
DATE: 3.11.2016

1:50

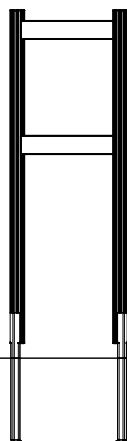
A



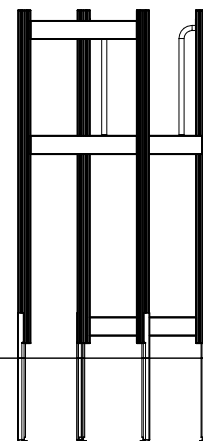
B



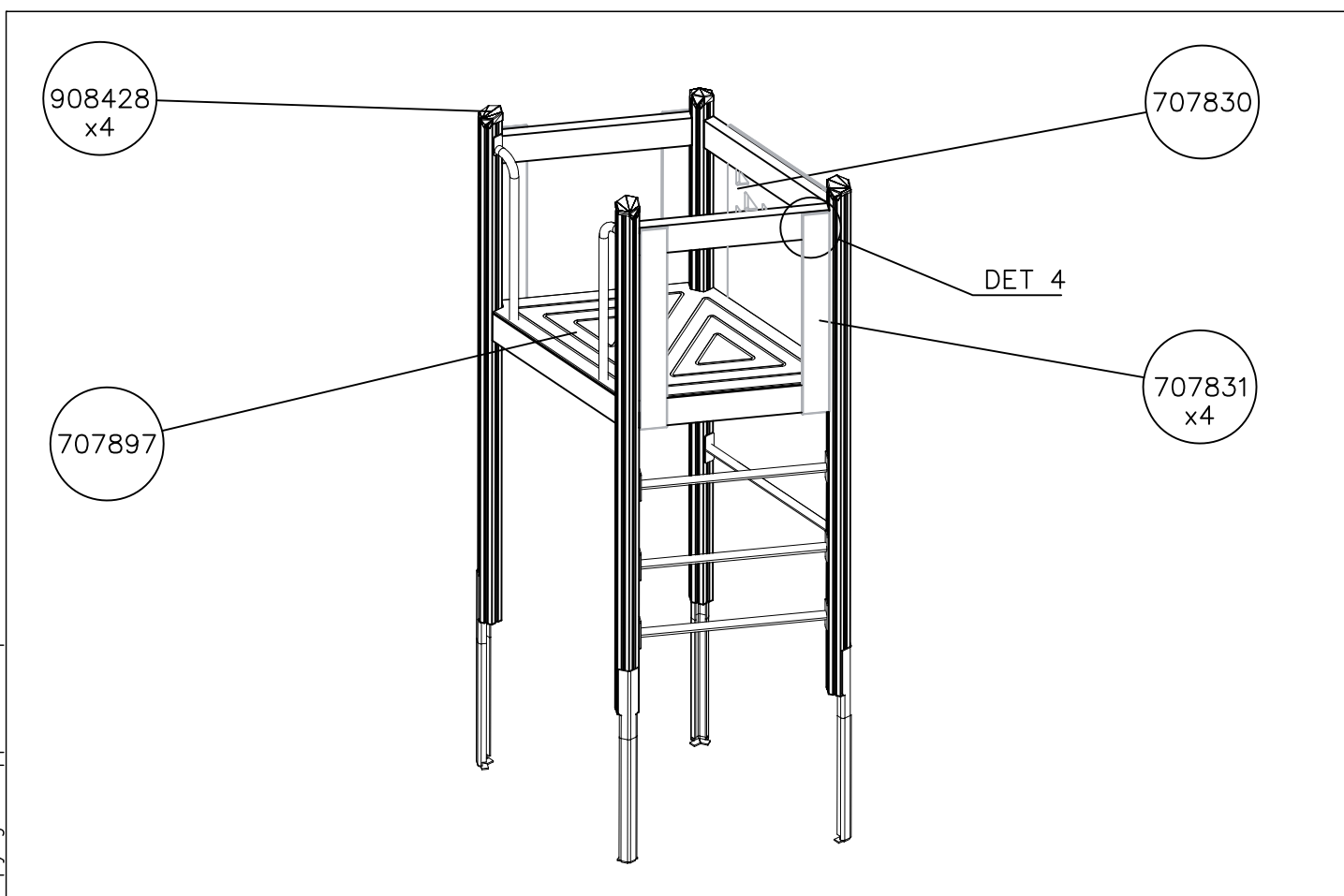
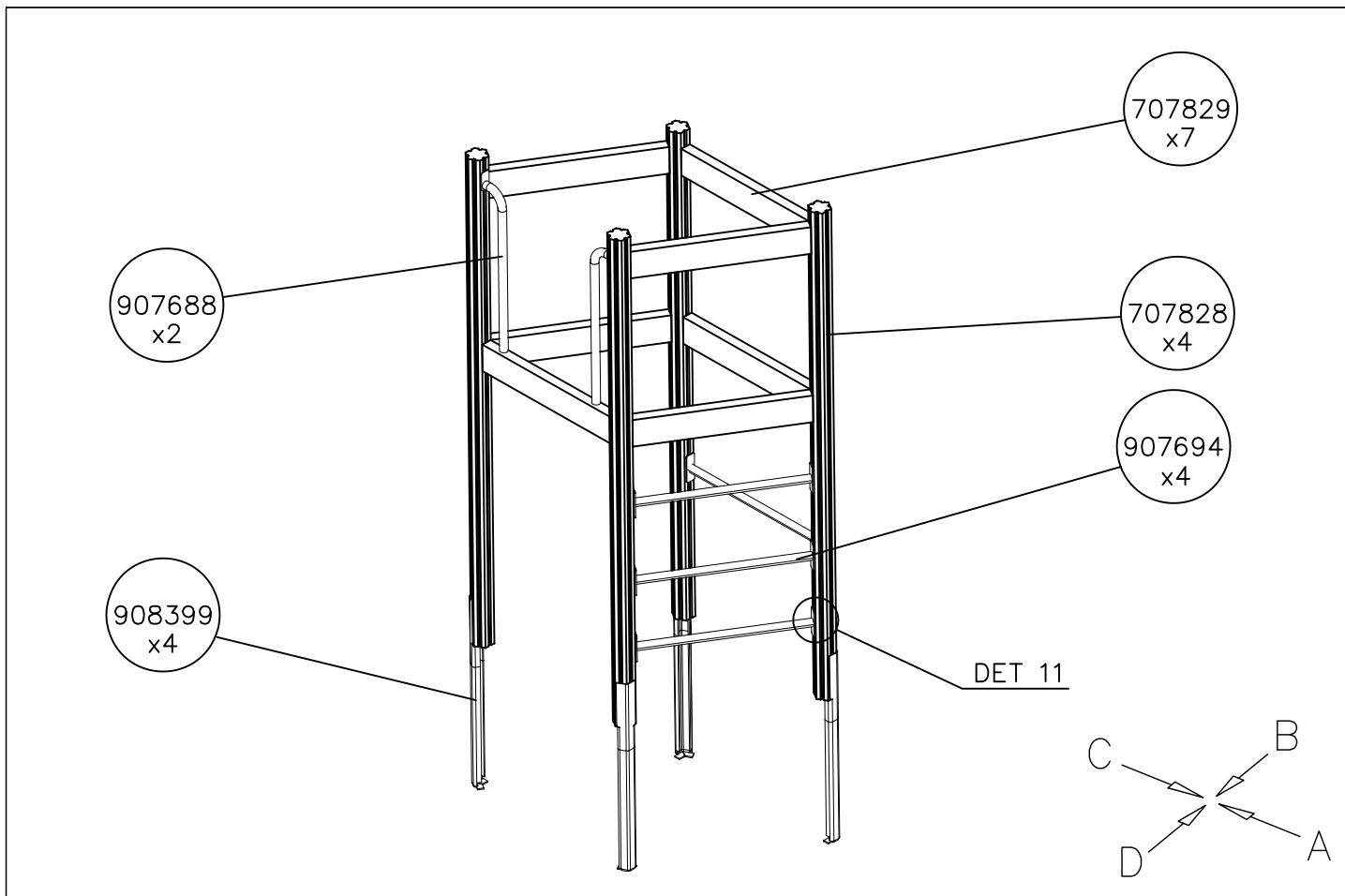
C



D



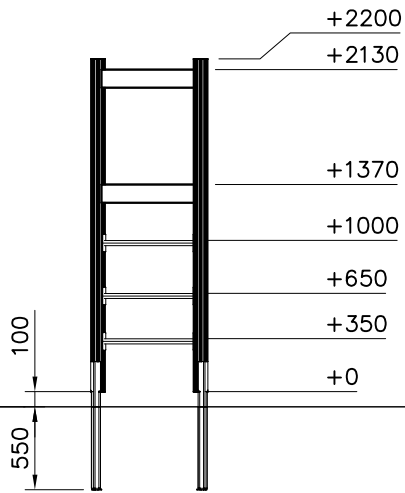
DATE: 3.11.2016



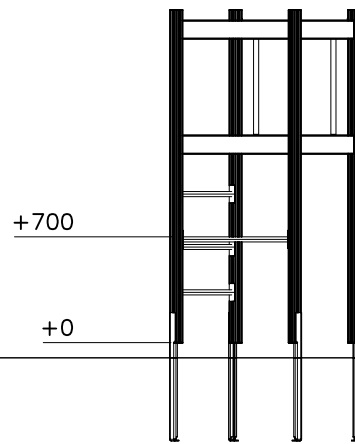
DATE: 3.11.2016

1:50

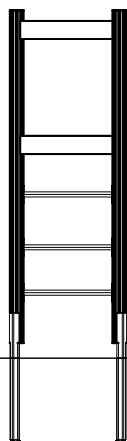
A



B



C



D

