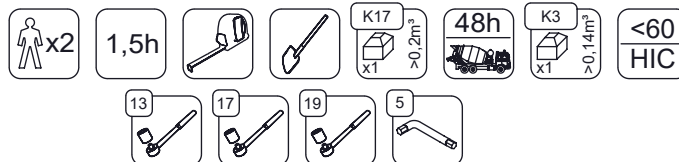
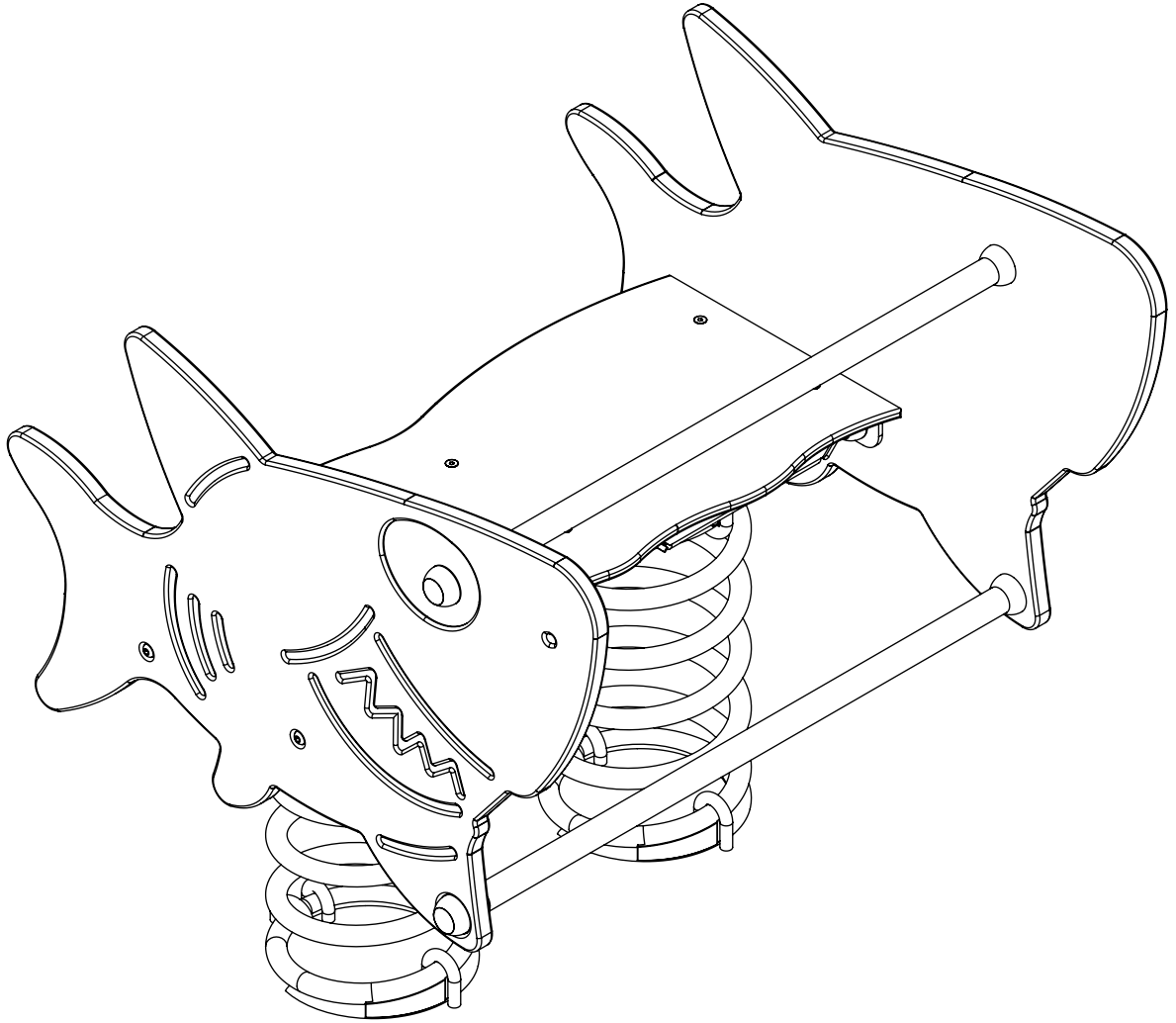
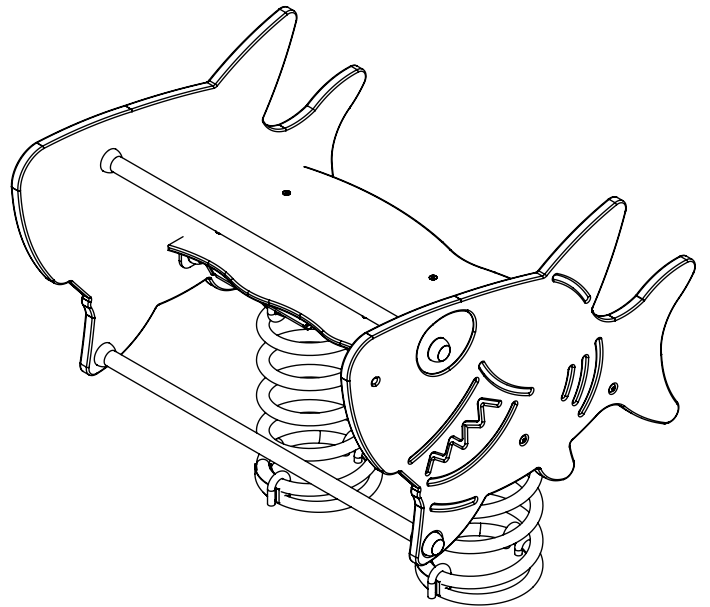
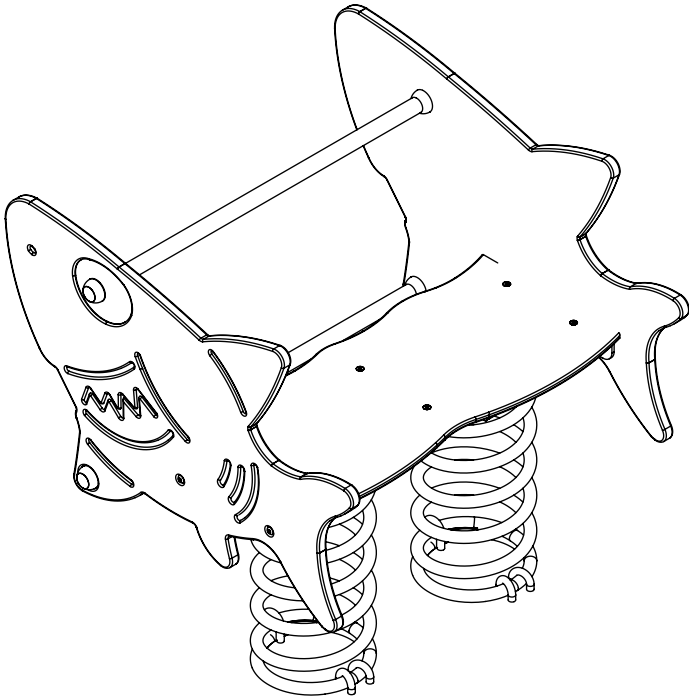
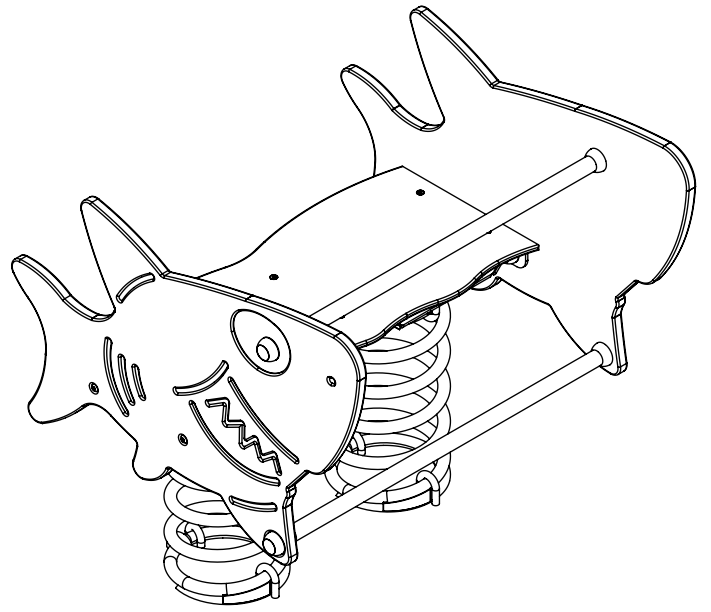
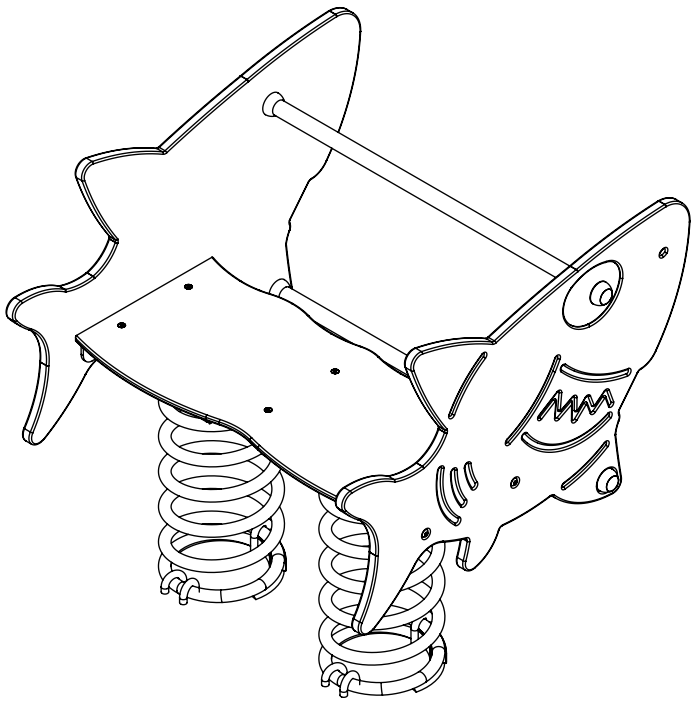


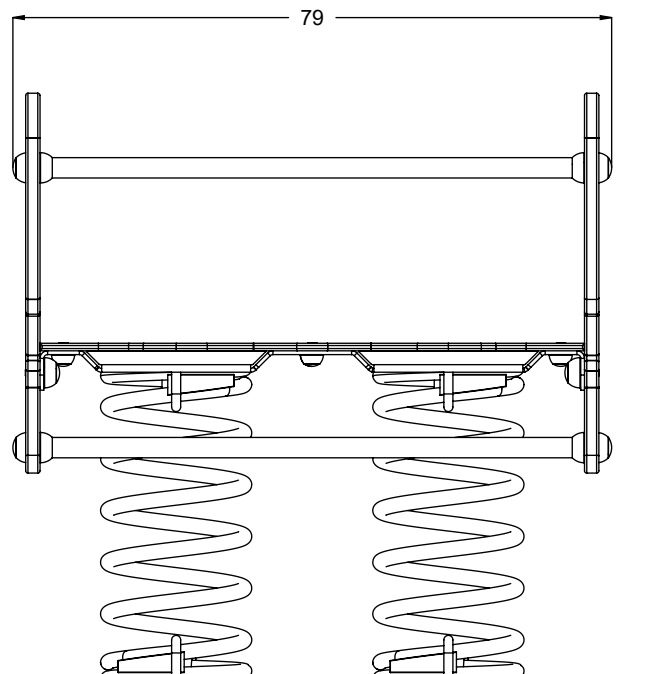
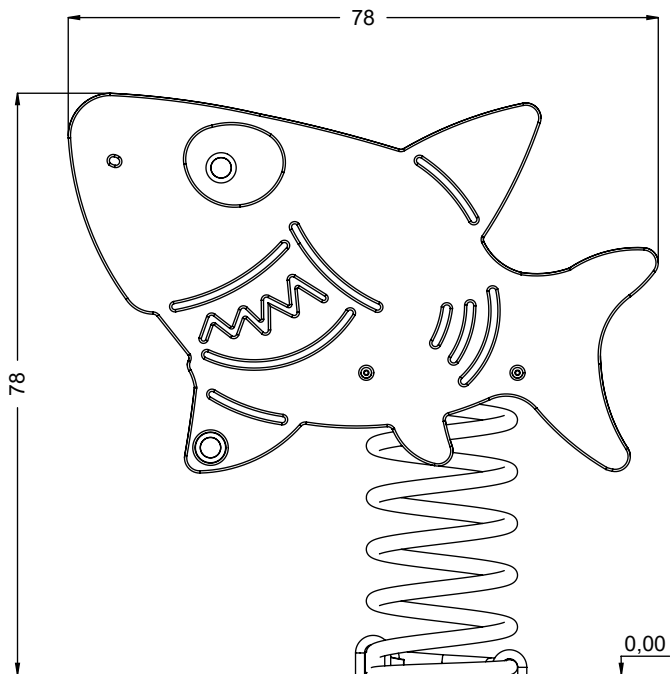
# 0623



v011  
07.07.2021  
A. H.  
[cm]

vinci  
play

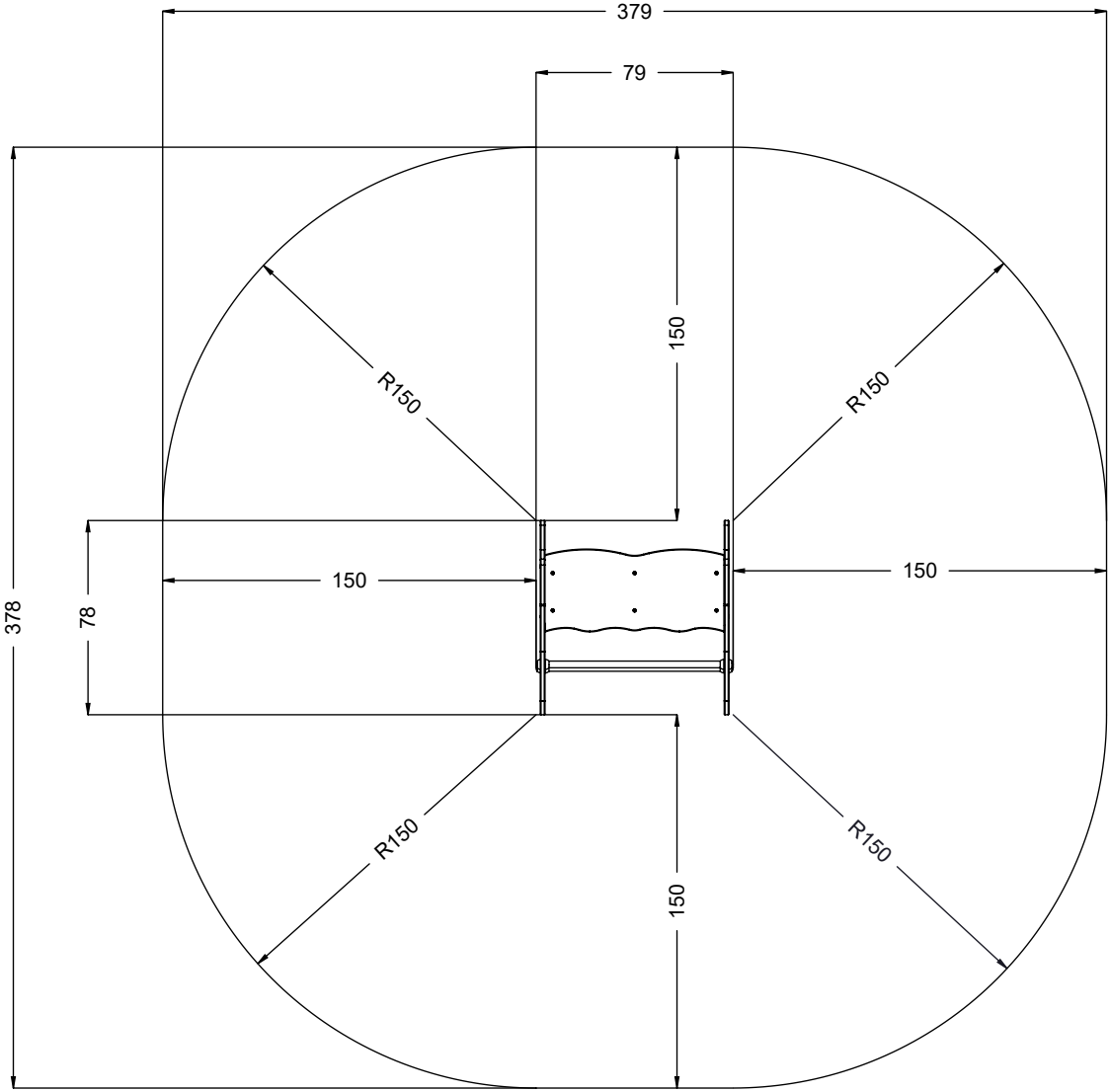




[cm]



vinci  
play

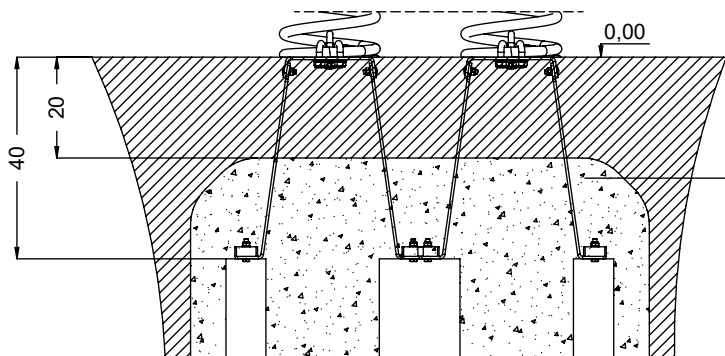
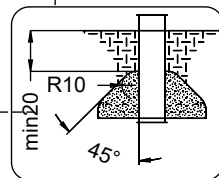
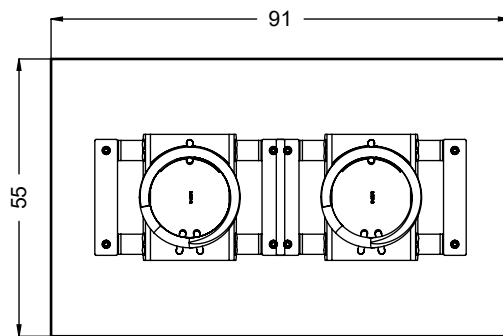
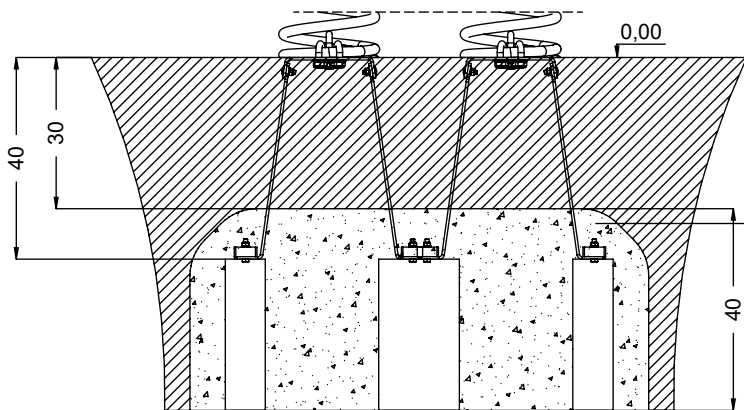


[cm]


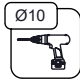



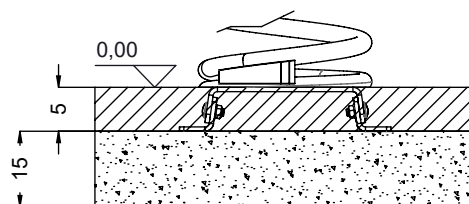
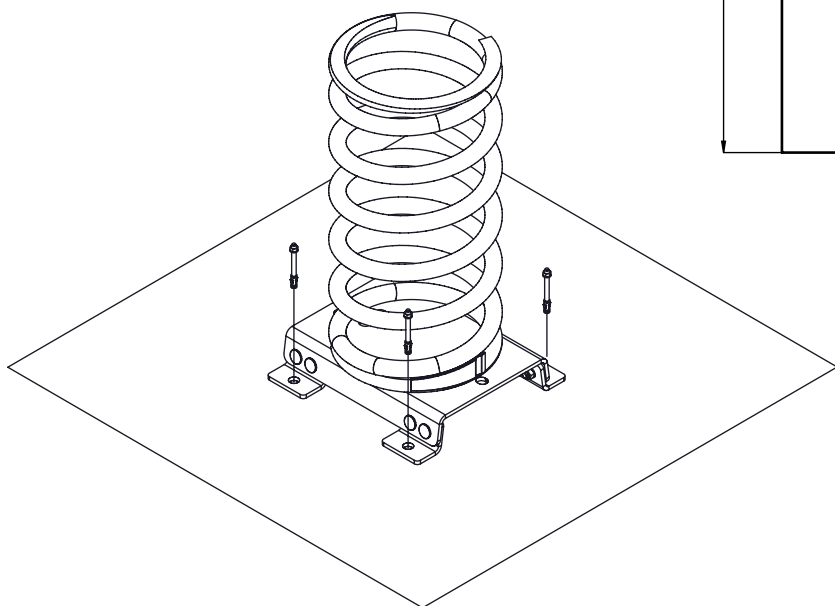
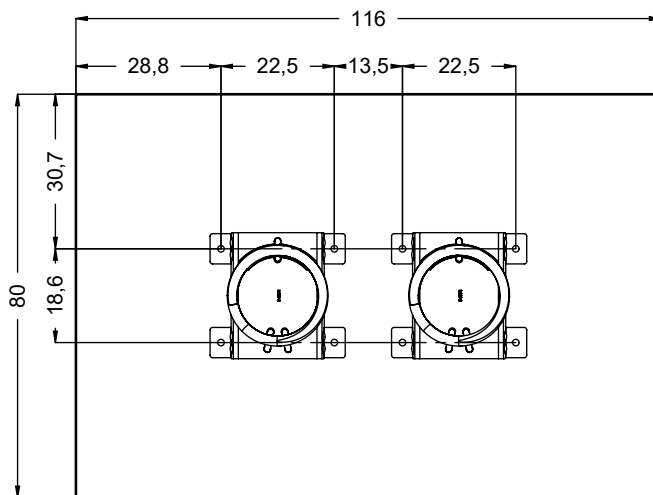
vinci  
play

# K17



# K3

	<b>K3</b>
<b>M10x120 x8</b>	
<b>NOT INCLUDED</b>	



[cm]



1,5h

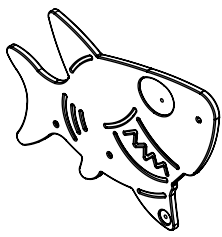


K17  
x1 >0,2m³

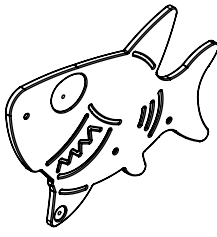
48h  


K3  
x1 >0,14m³

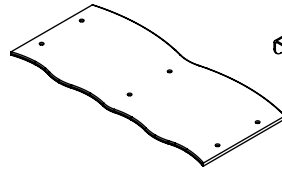
vinci  
play



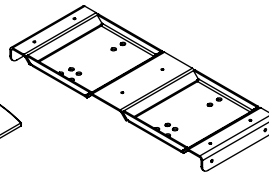
061120  
x1



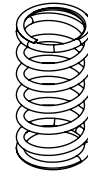
061121  
x1



061118  
x1



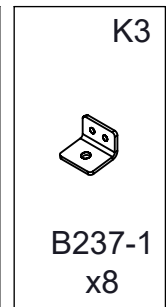
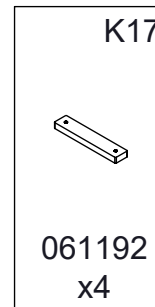
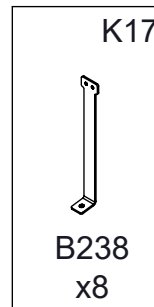
b234-1  
x1



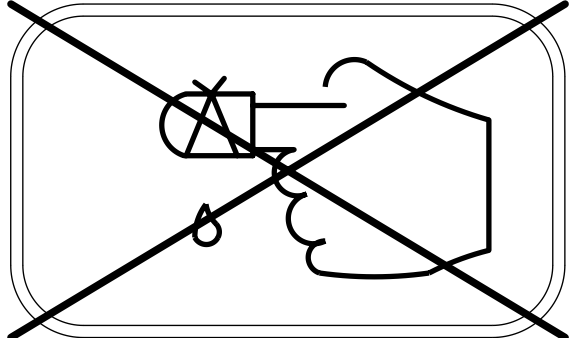
993119  
x2



B239  
x2

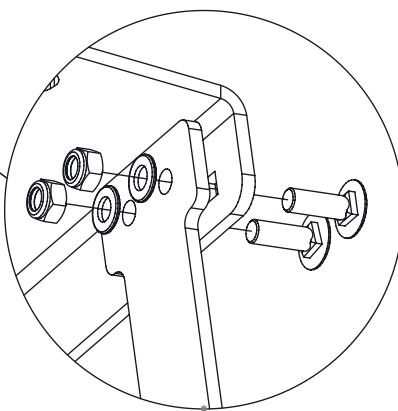
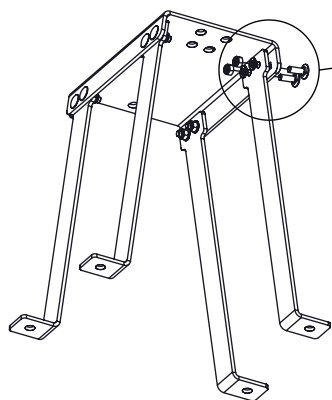


ST/INOX		HDPE	
2x	SP3 <sub>(K17)</sub>	1x	SP11
2x	SP1	1x	SP31
4x	SP2	1x	SP32
1x	SP27		
1x	V001		

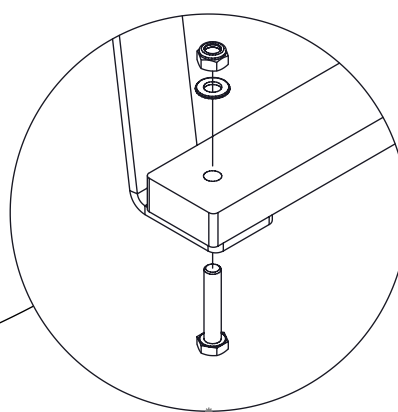
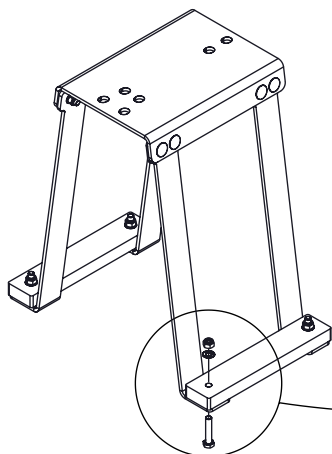


K17

x2



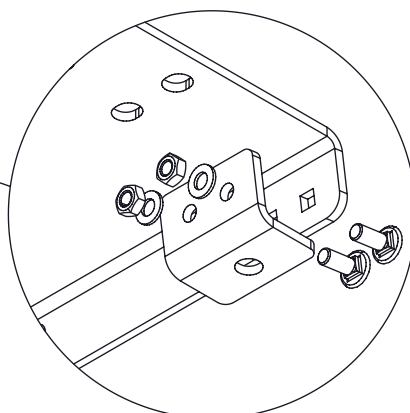
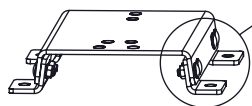
SP1 x1



SP3 x1

K3

x2



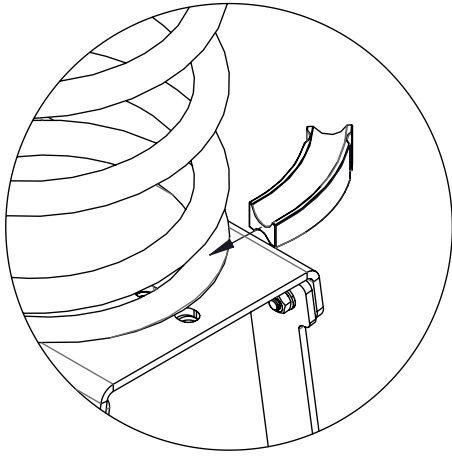
SP1 x1

[cm]

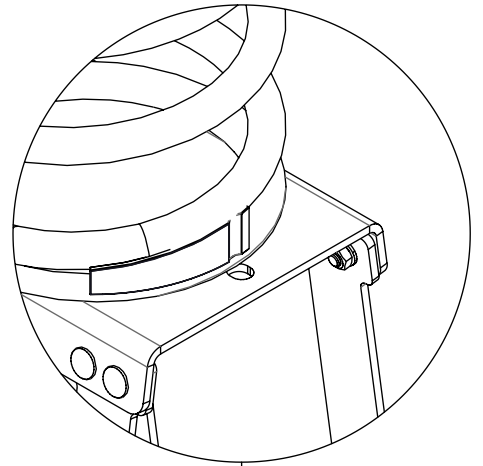


vinci  
play

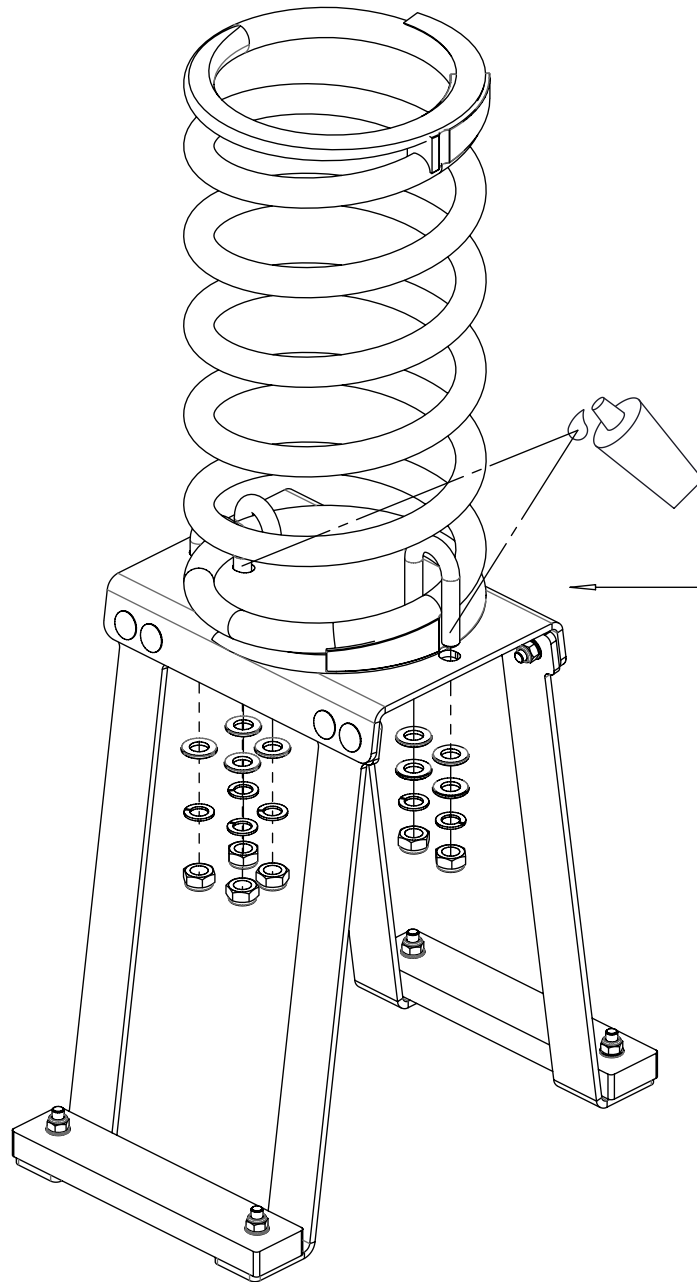




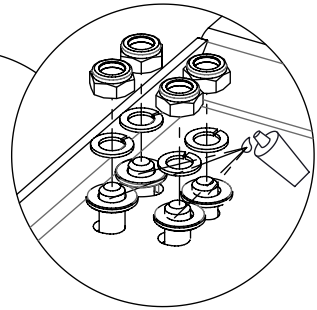
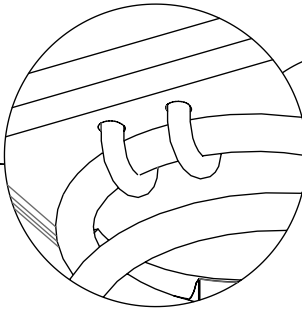
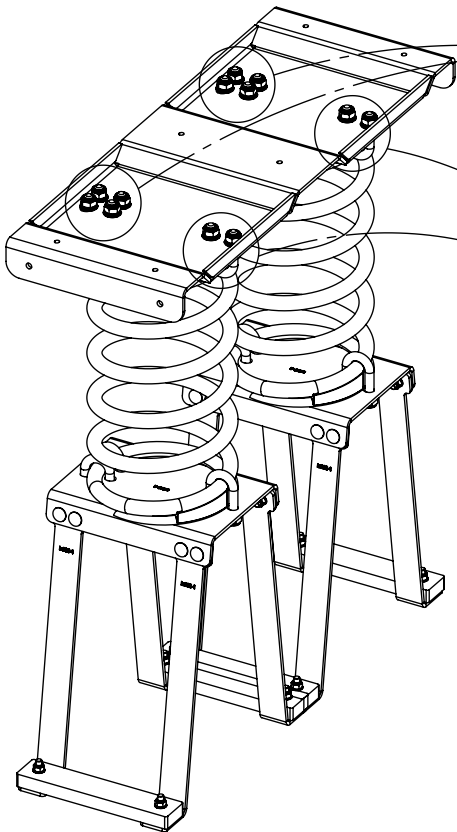
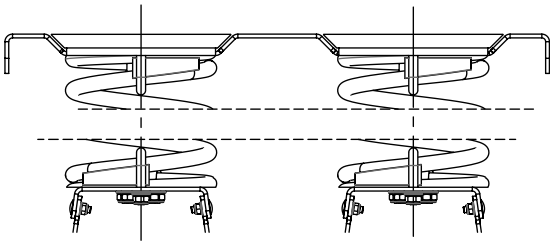
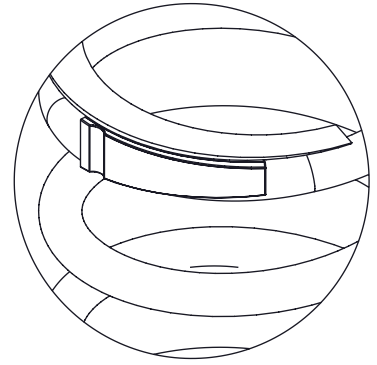
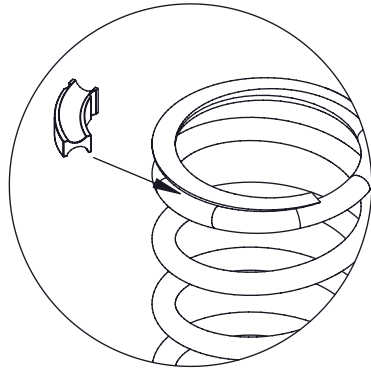
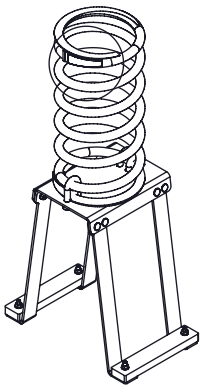
SP2 x1



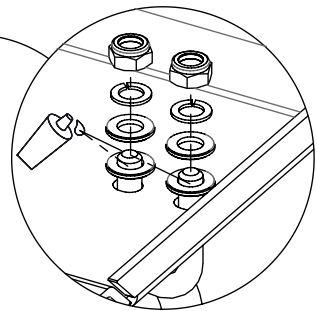
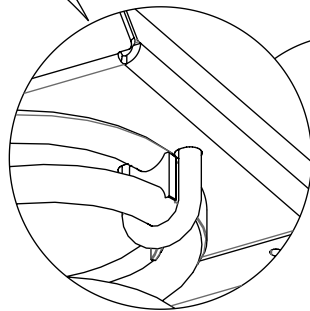
x2



[cm]



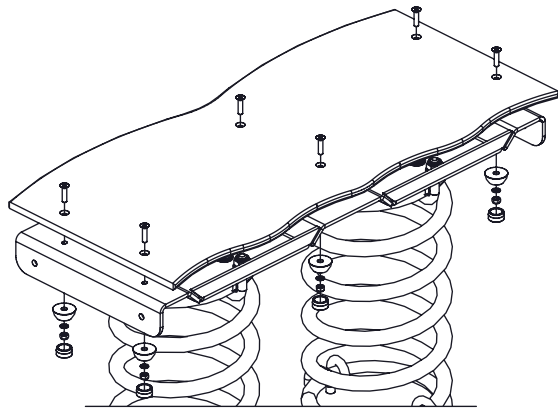
SP2 x2



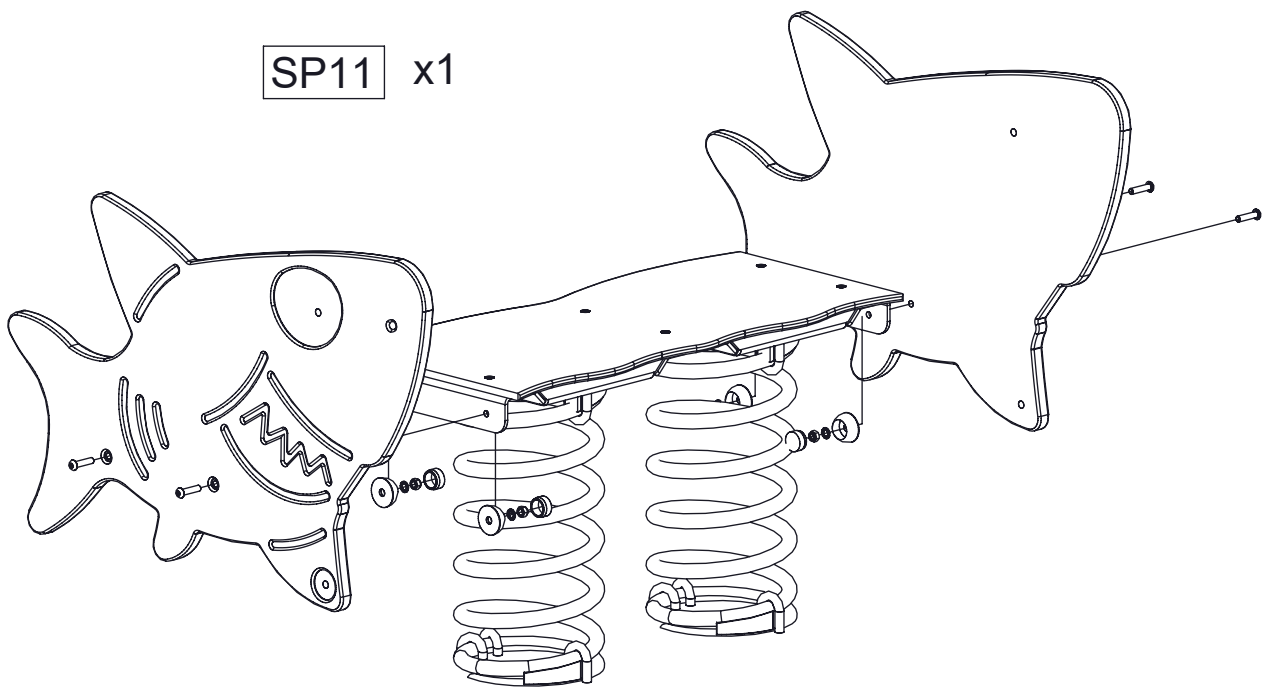
[cm]



vinci  
play



SP32 x1

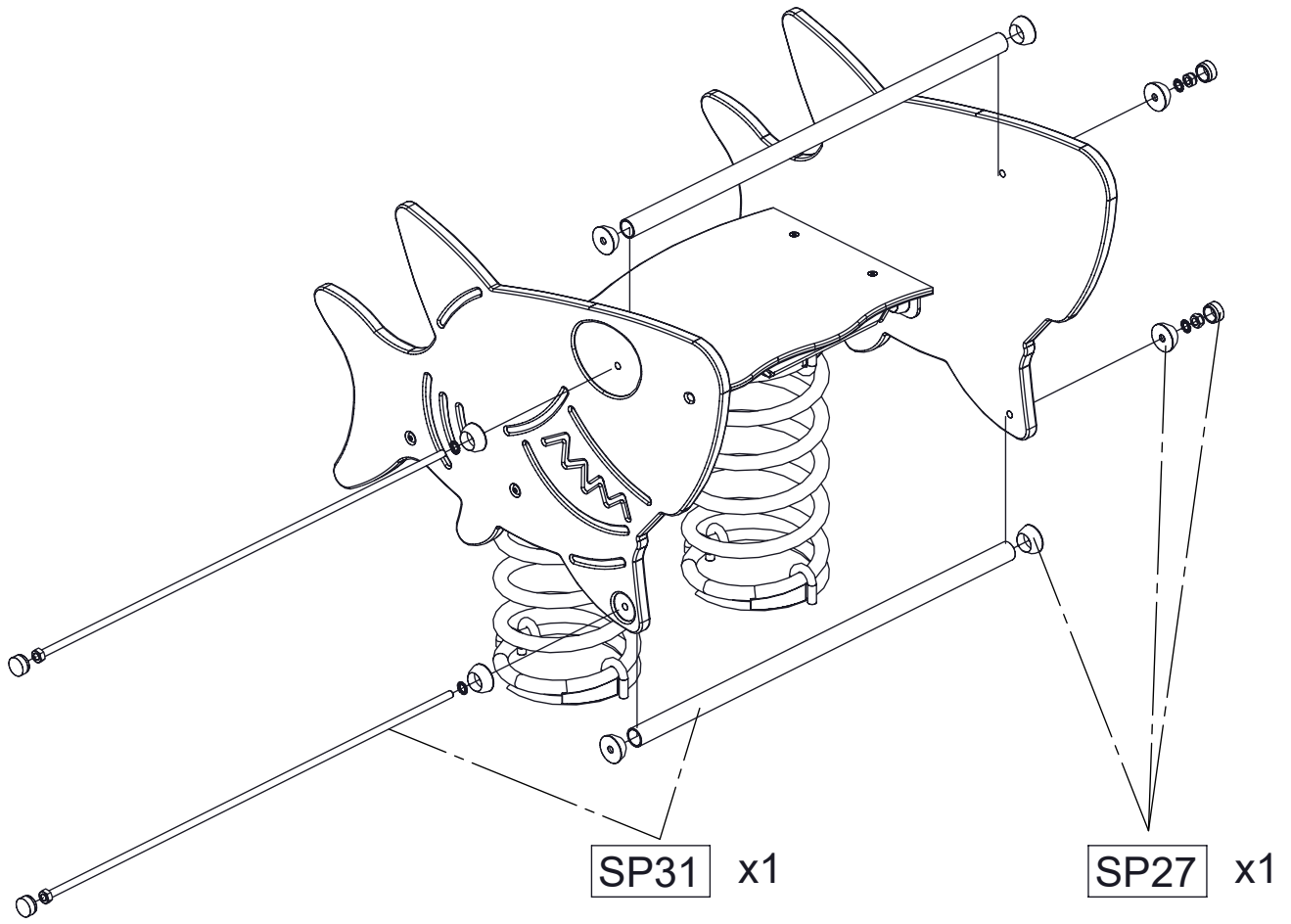


SP11 x1

[cm]

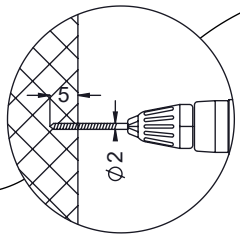
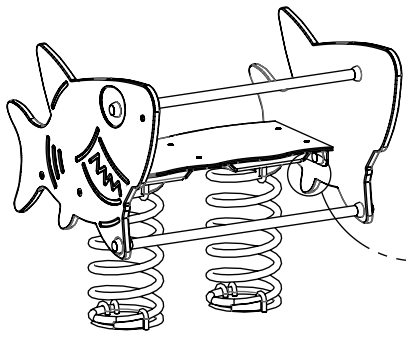


vinci  
play

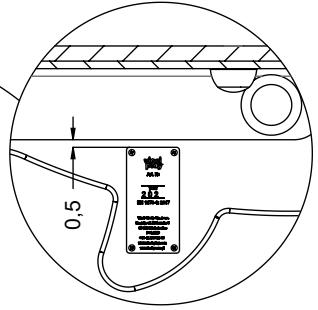


SP31 x1

SP27 x1

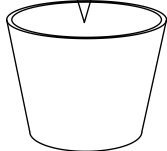


V001 x1



Part No:  
000000-  
00000

000000-00000



[cm]

vinci  
play