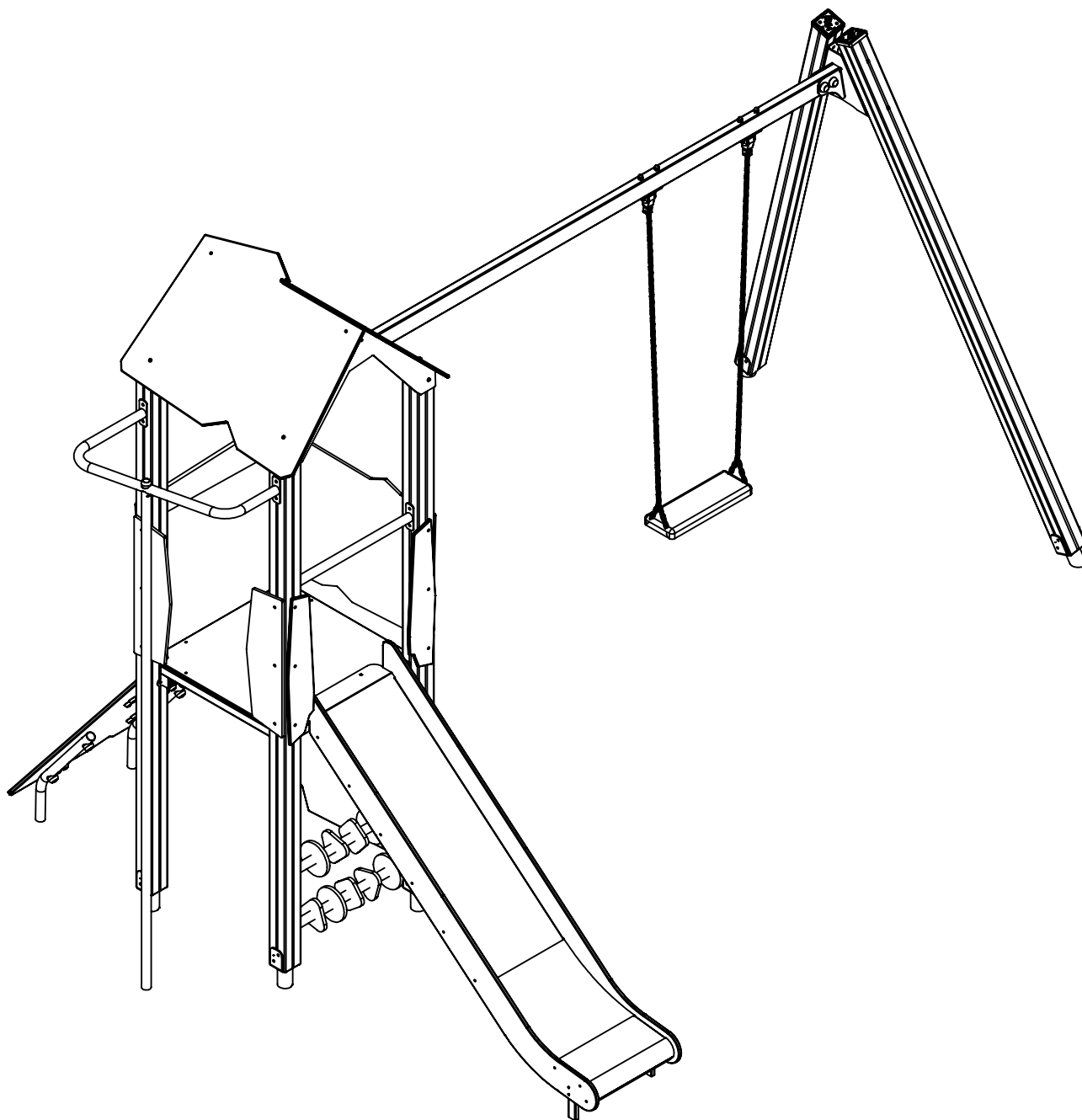


WD 1438



[cm]
v3/15.10.18
I.D.



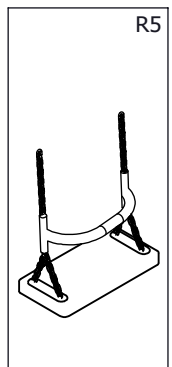
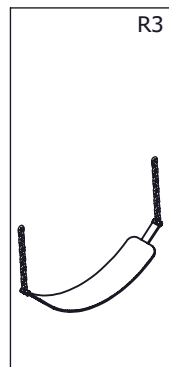
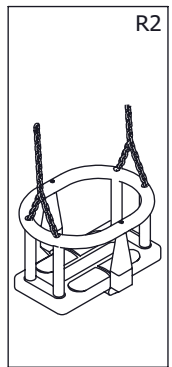
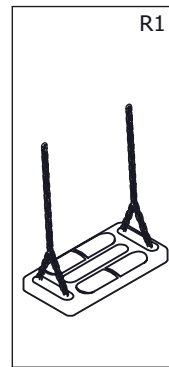
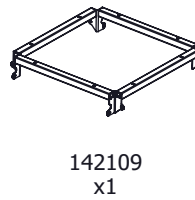
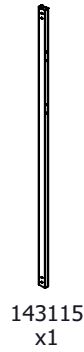
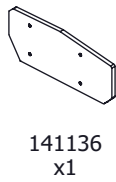
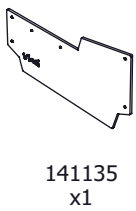
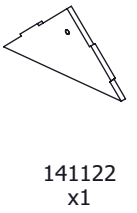
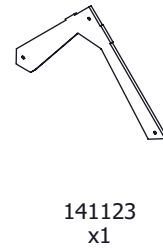
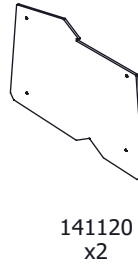
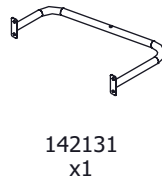
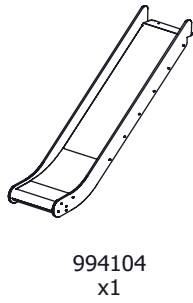
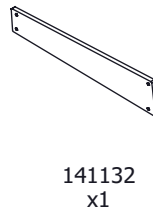
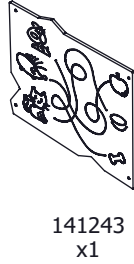
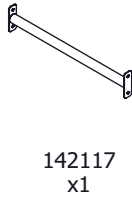
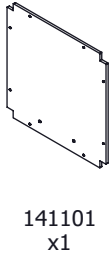
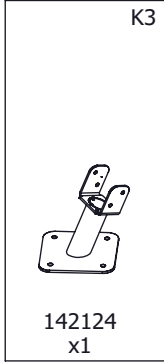
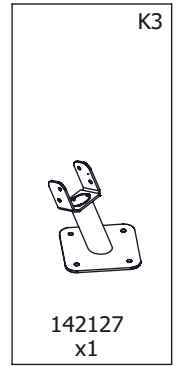
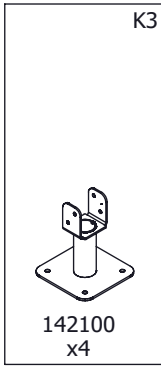
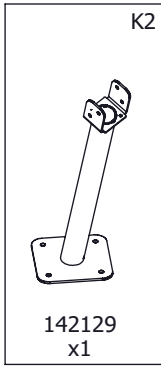
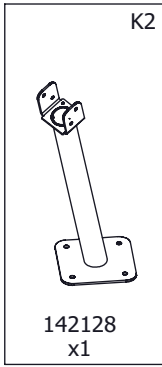
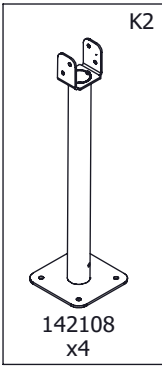
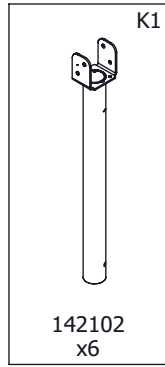
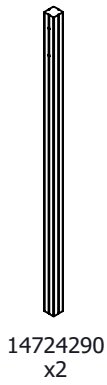
4,5h

130
HIC

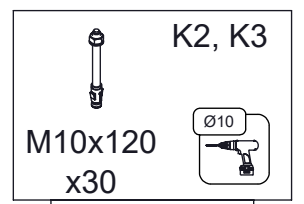
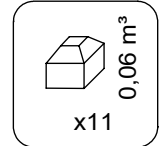
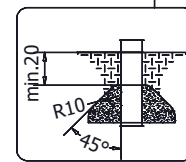
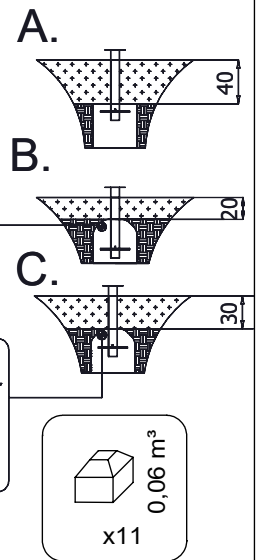
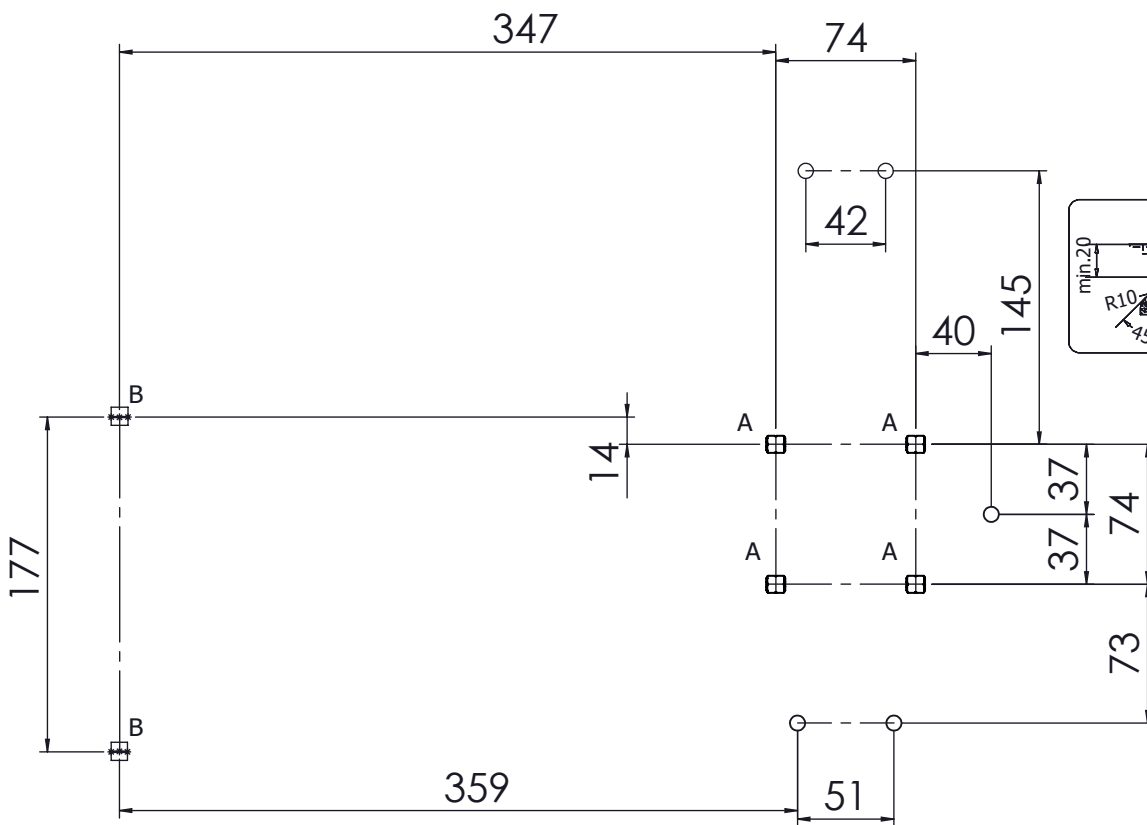
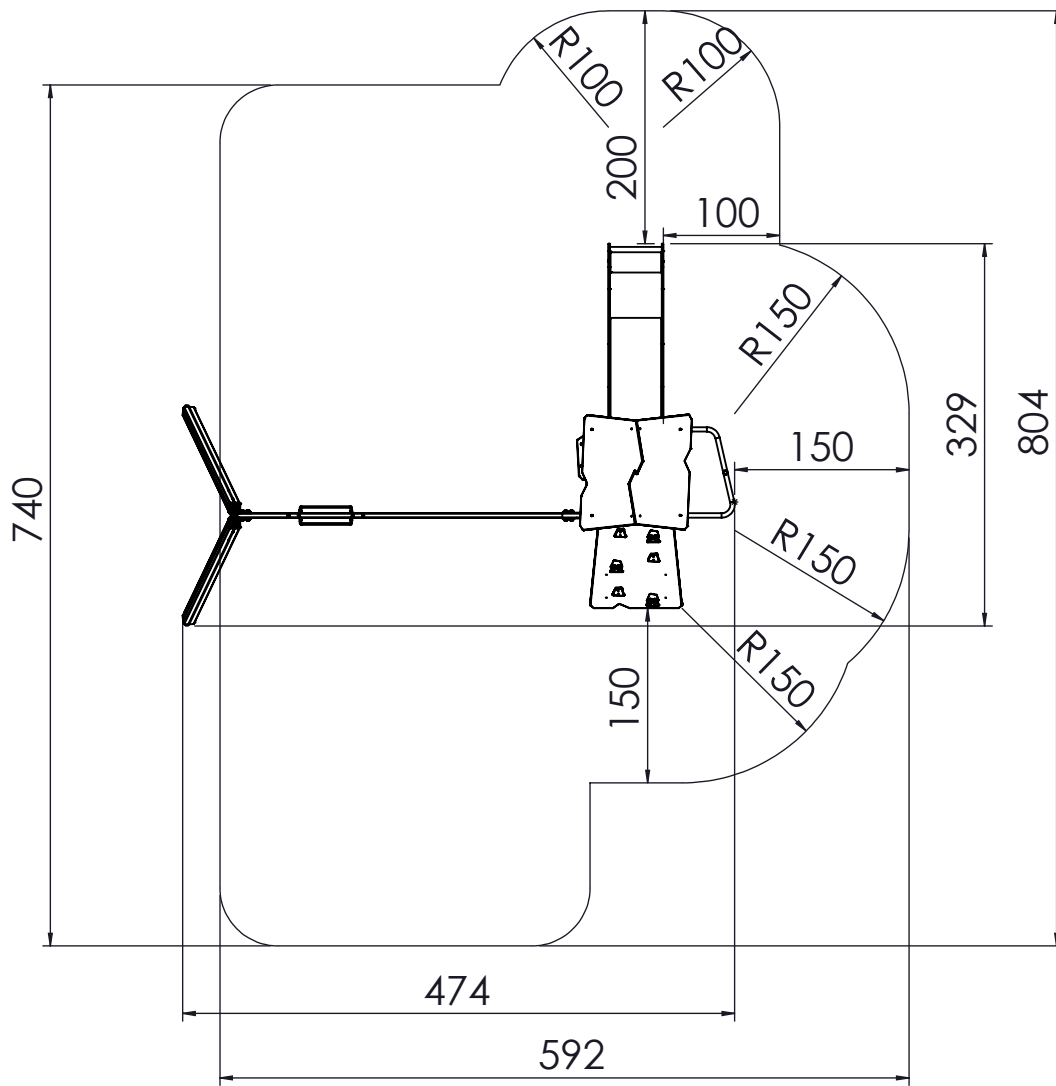


48h

play
vinici

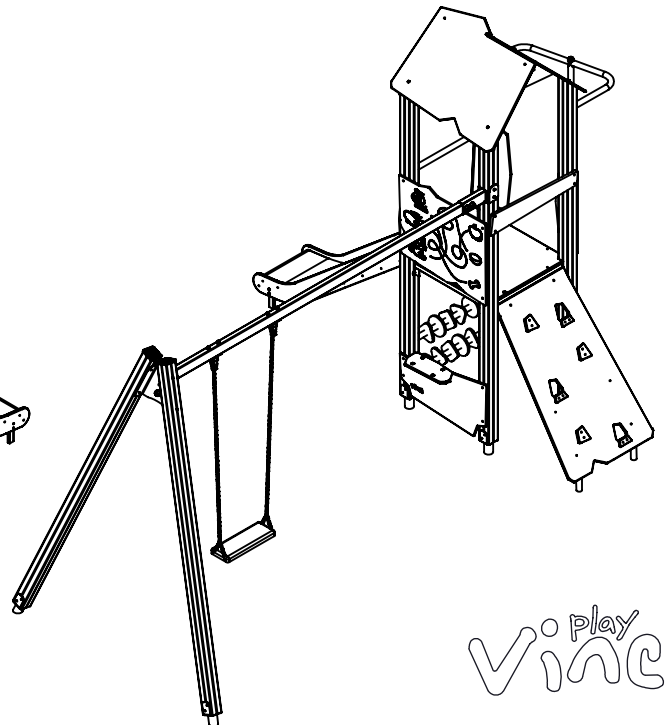
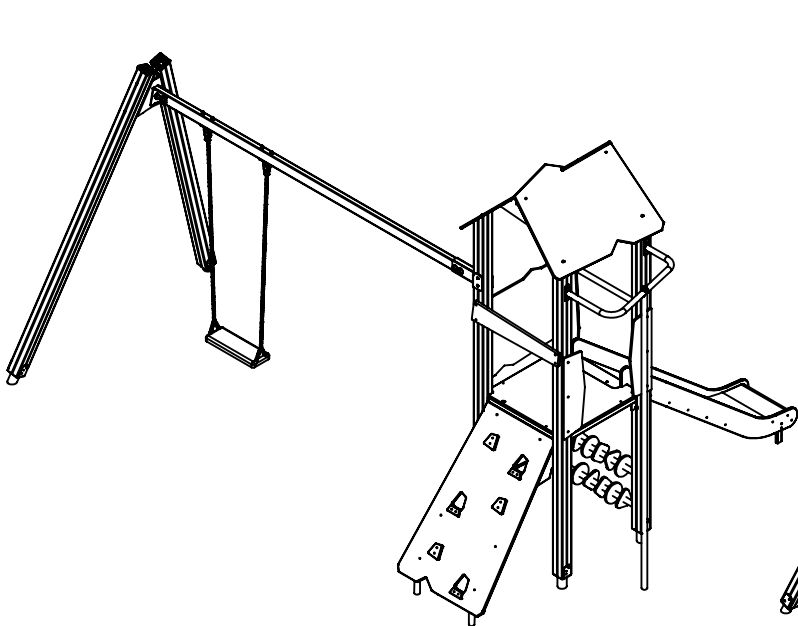
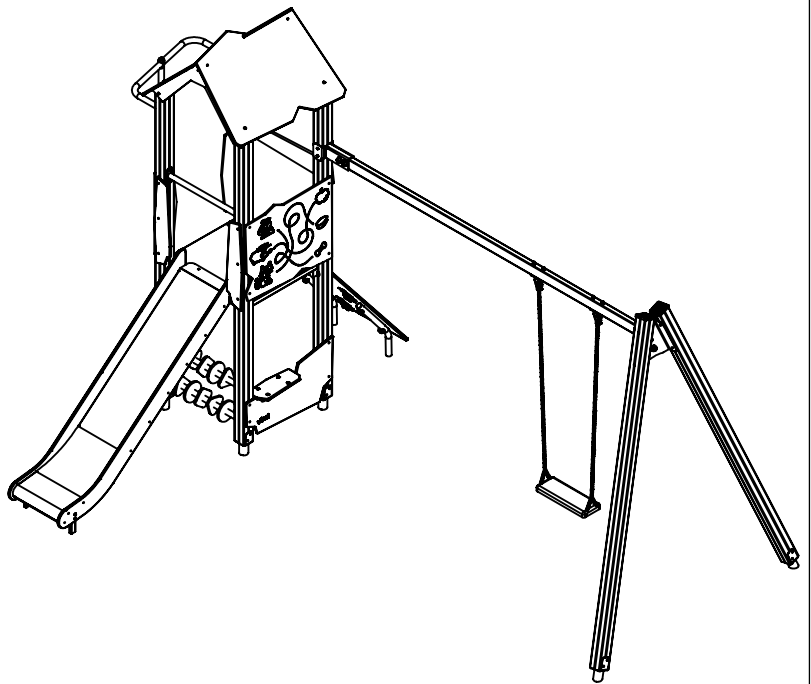
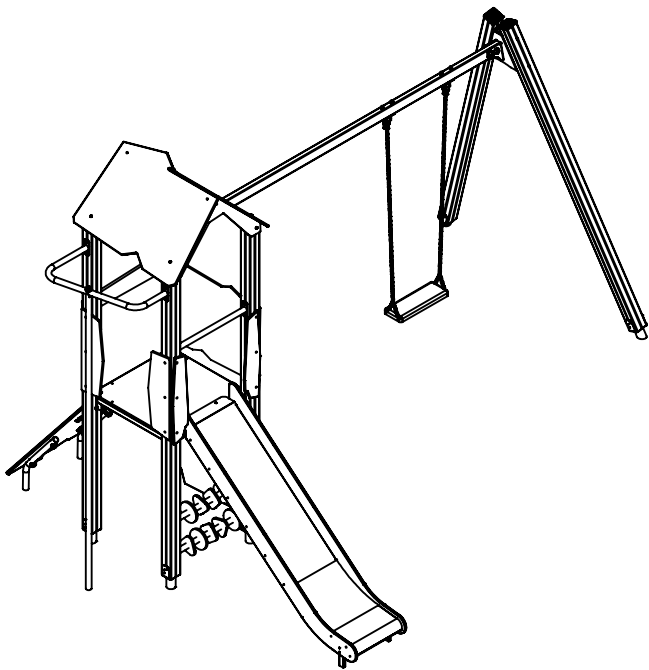
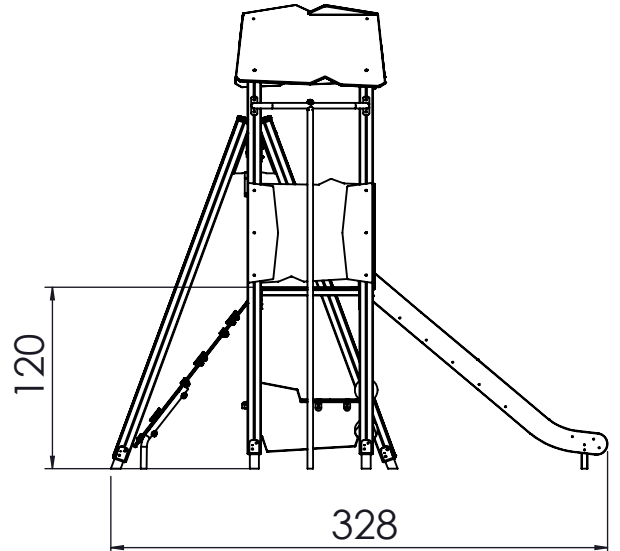
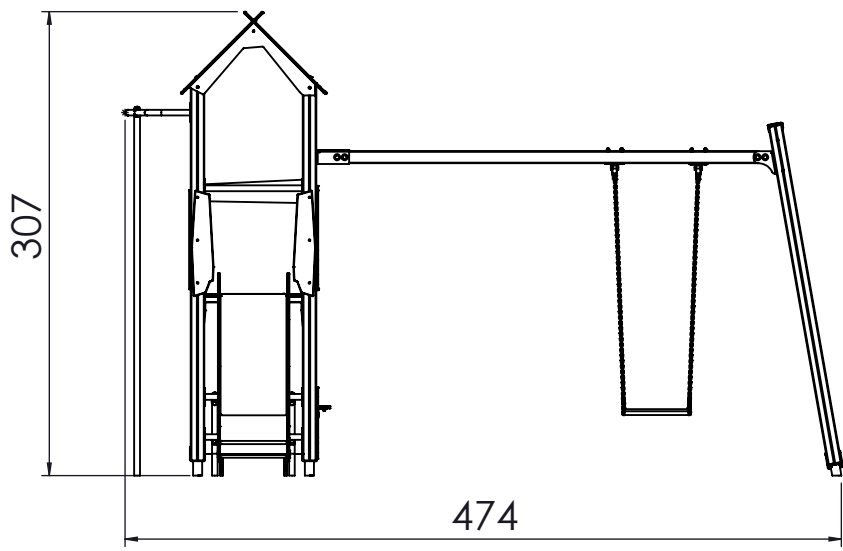


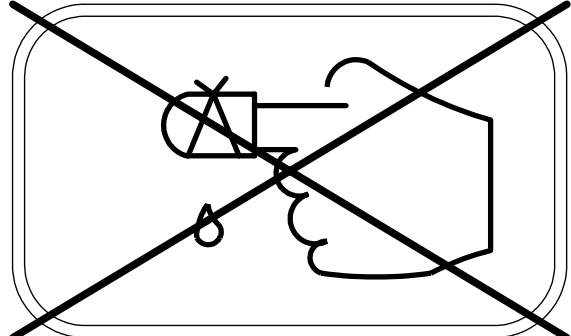
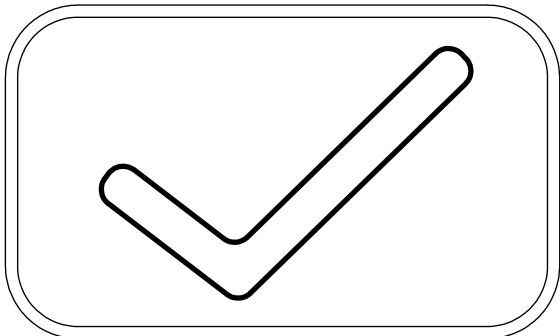
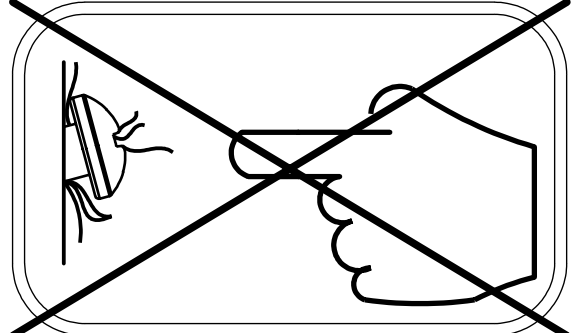
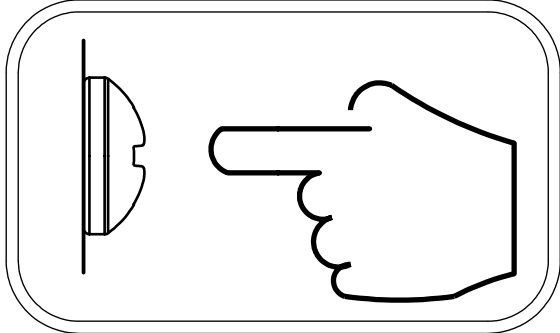
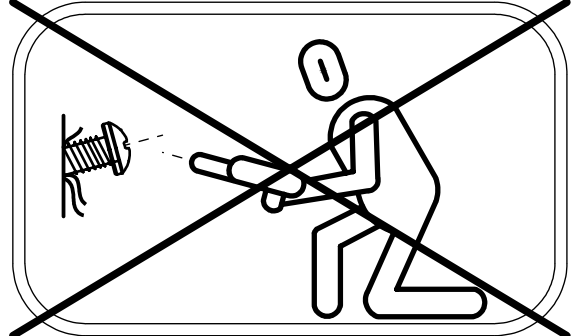
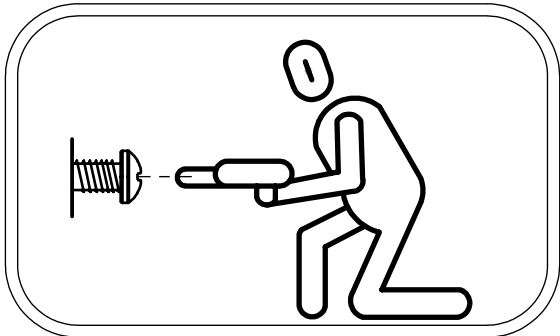
	PANELS		PLATFORMS	
	HDPE	HPL	PLYWOOD	HPL
AN112 8x50 x82			1x WD74	1x WD75
2x WD1			3x WD15	3x WD16
1x E50	1x WD8	1x WD9	3x WD35	3x WD36
1x E51	1x WD33	1x WD34	1x WD37	1x WD38
			1x WD28	1x WD29

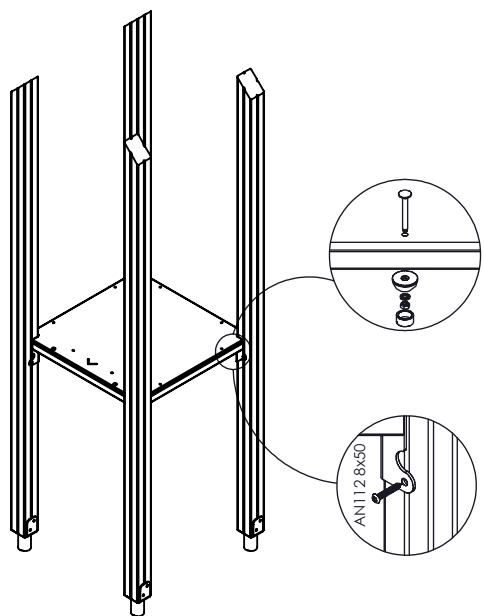
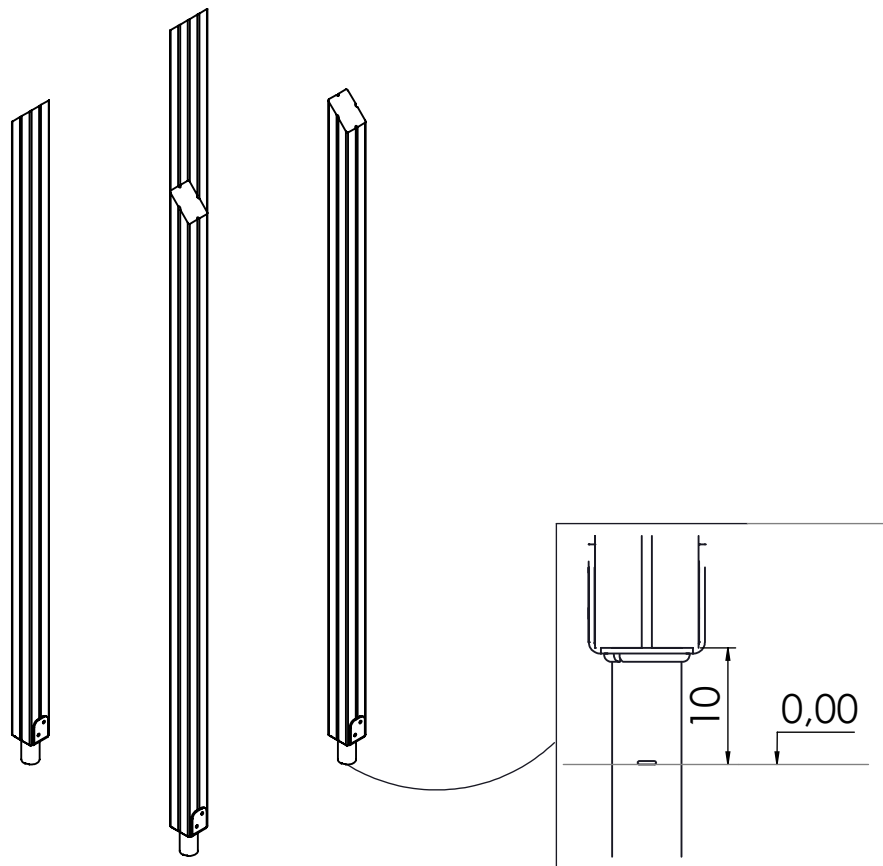


NOT INCLUDED

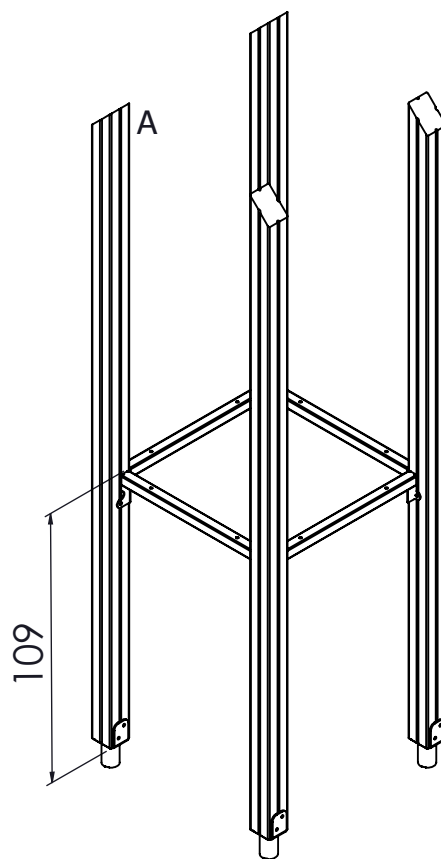
play
vinci

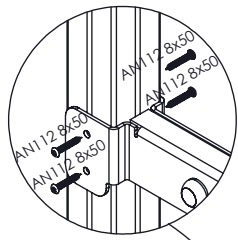






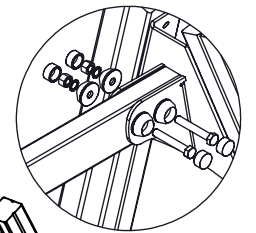
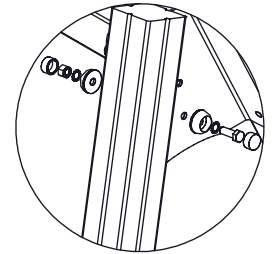
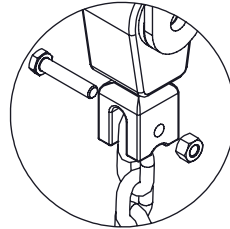
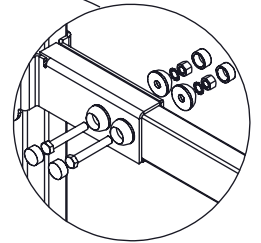
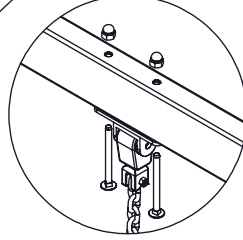
-	PLYWOOD	HPL
1x	WD74	WD75



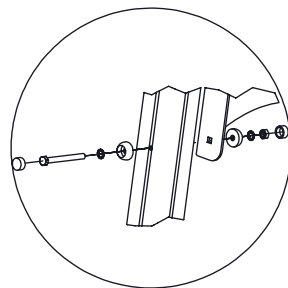


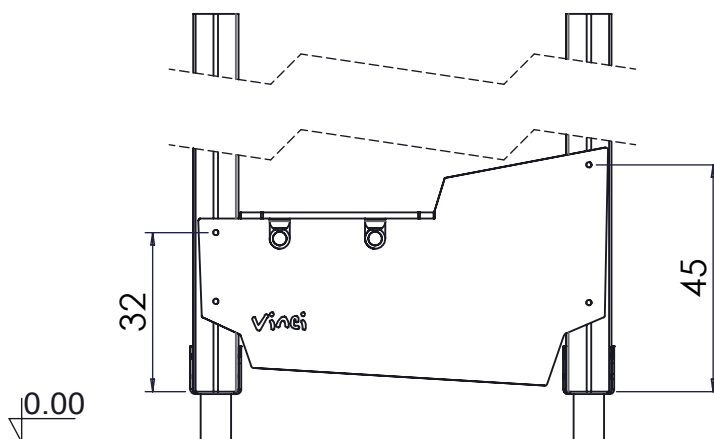
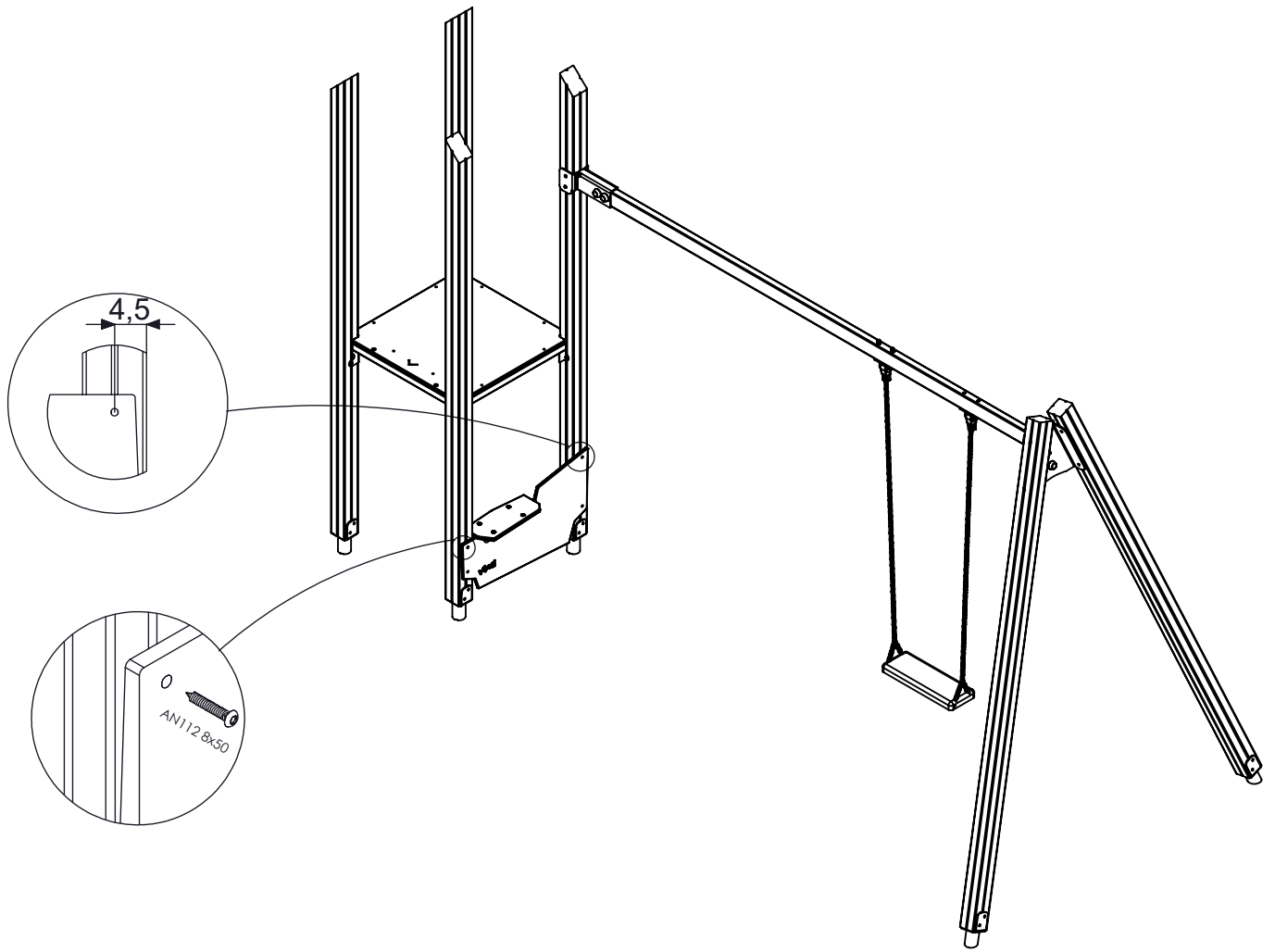
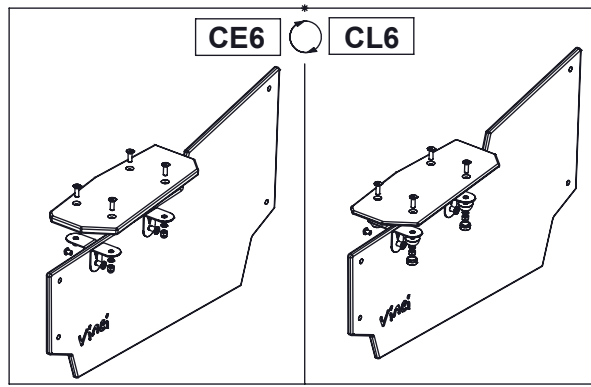
1x WD51

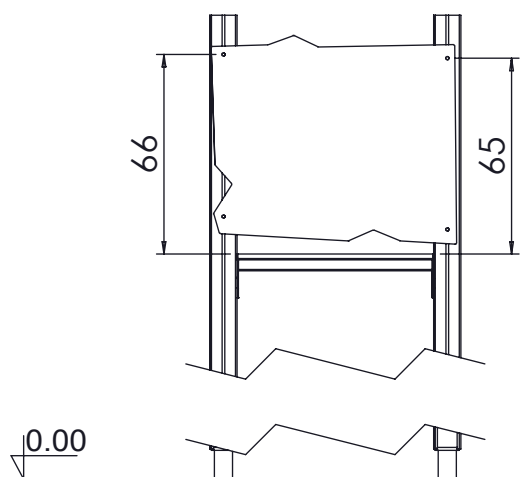
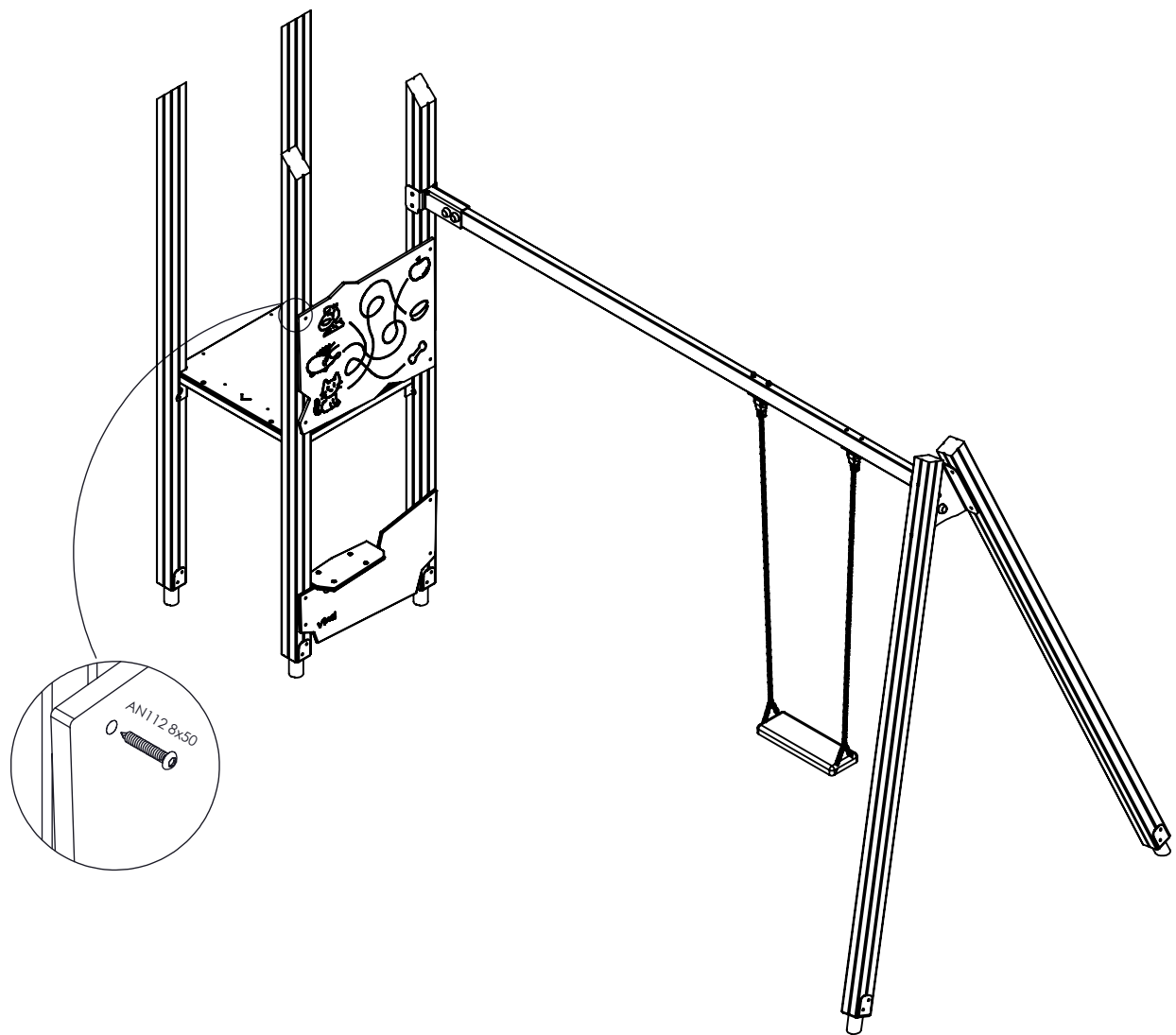
1x E62

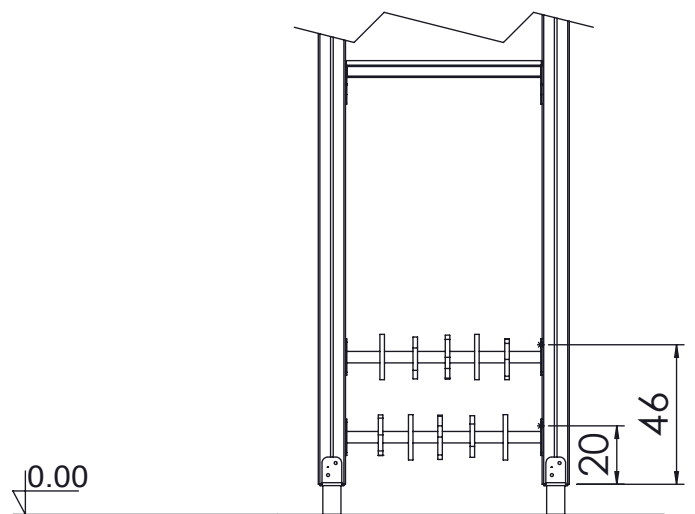
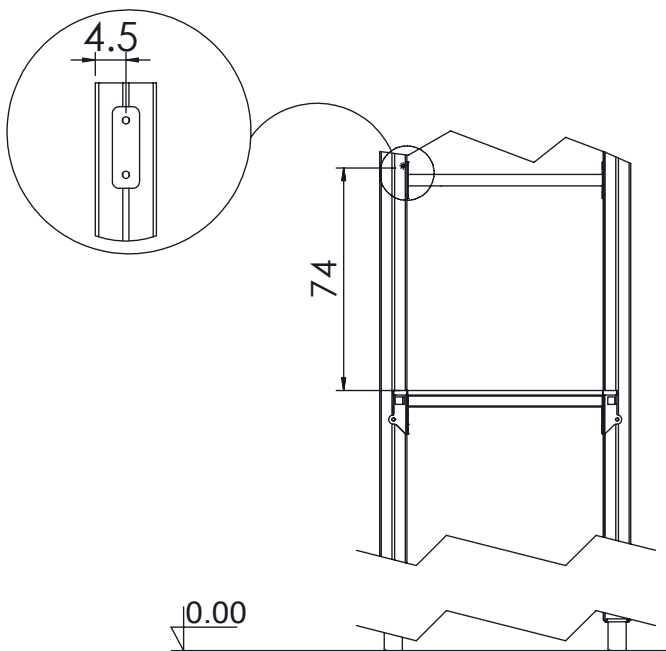
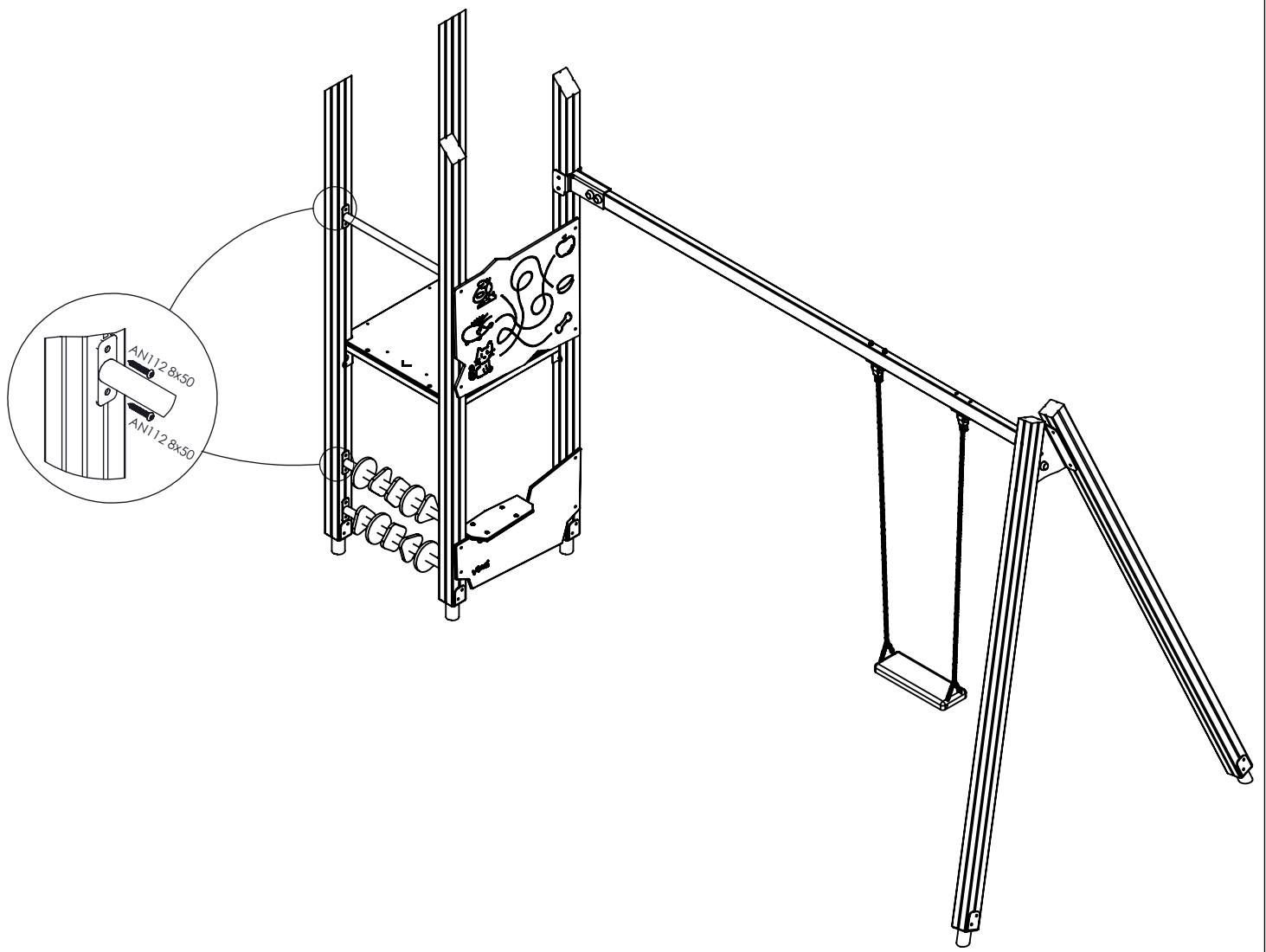


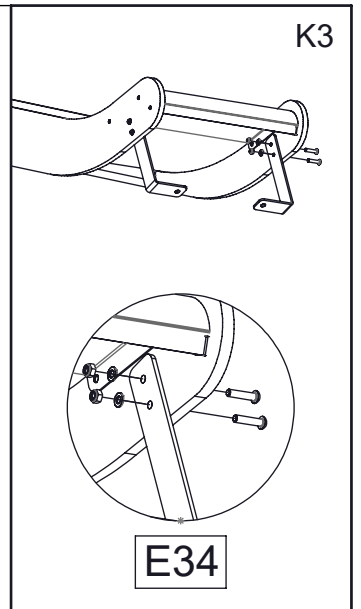
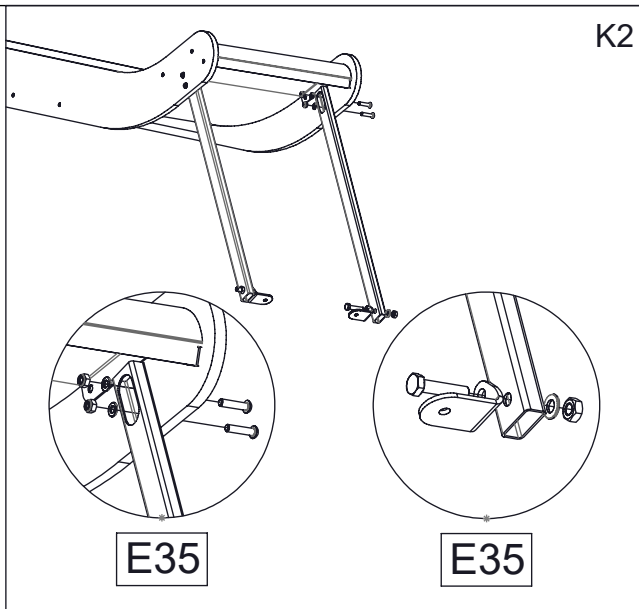
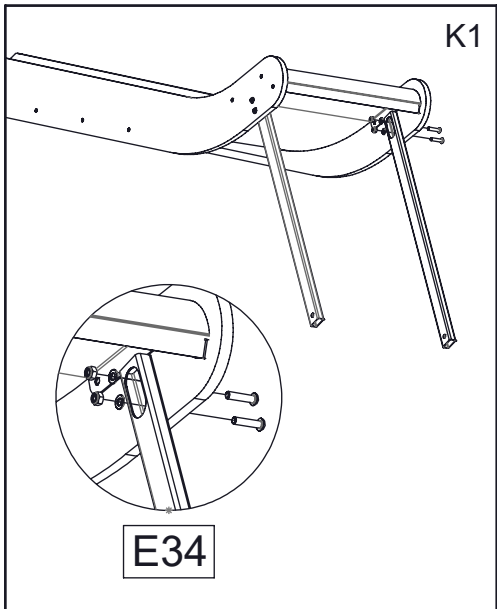
95



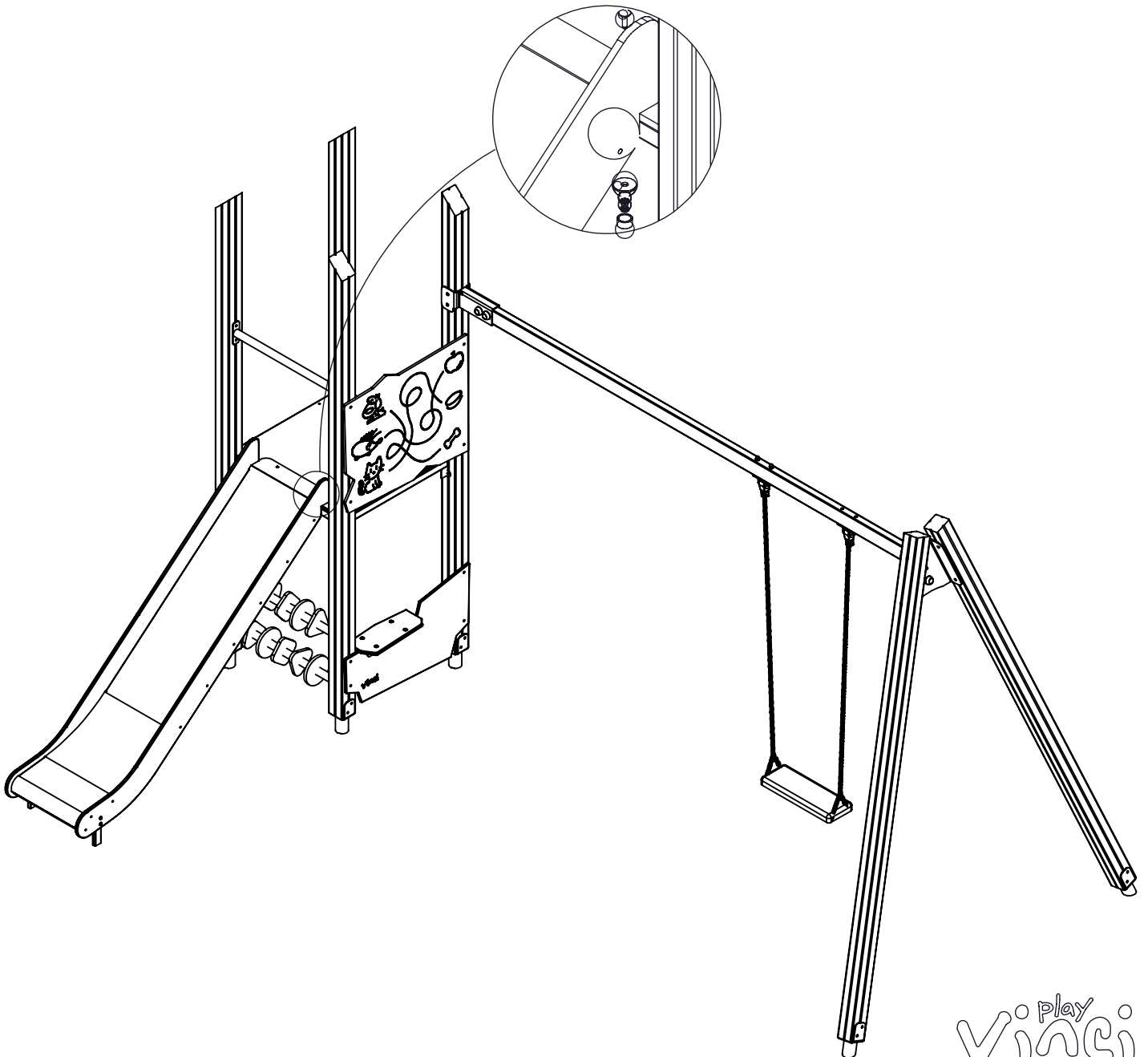


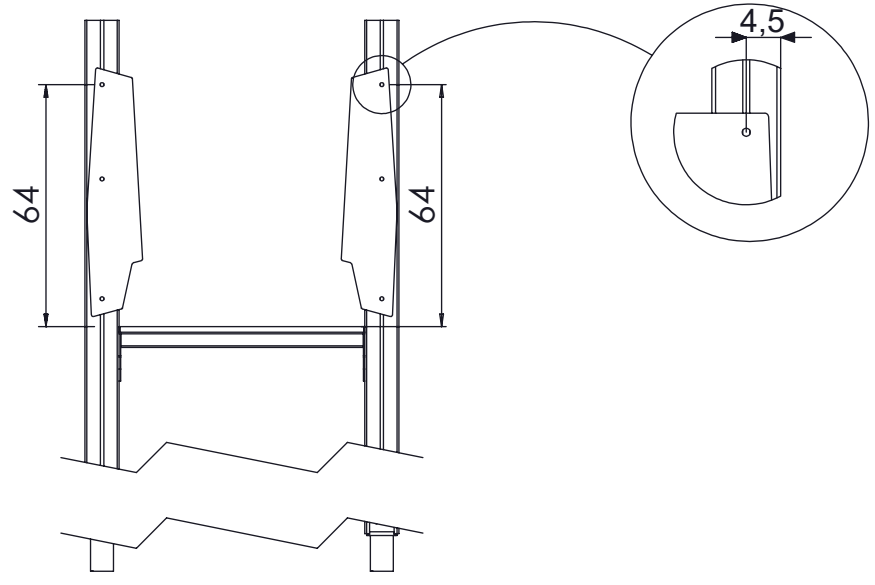
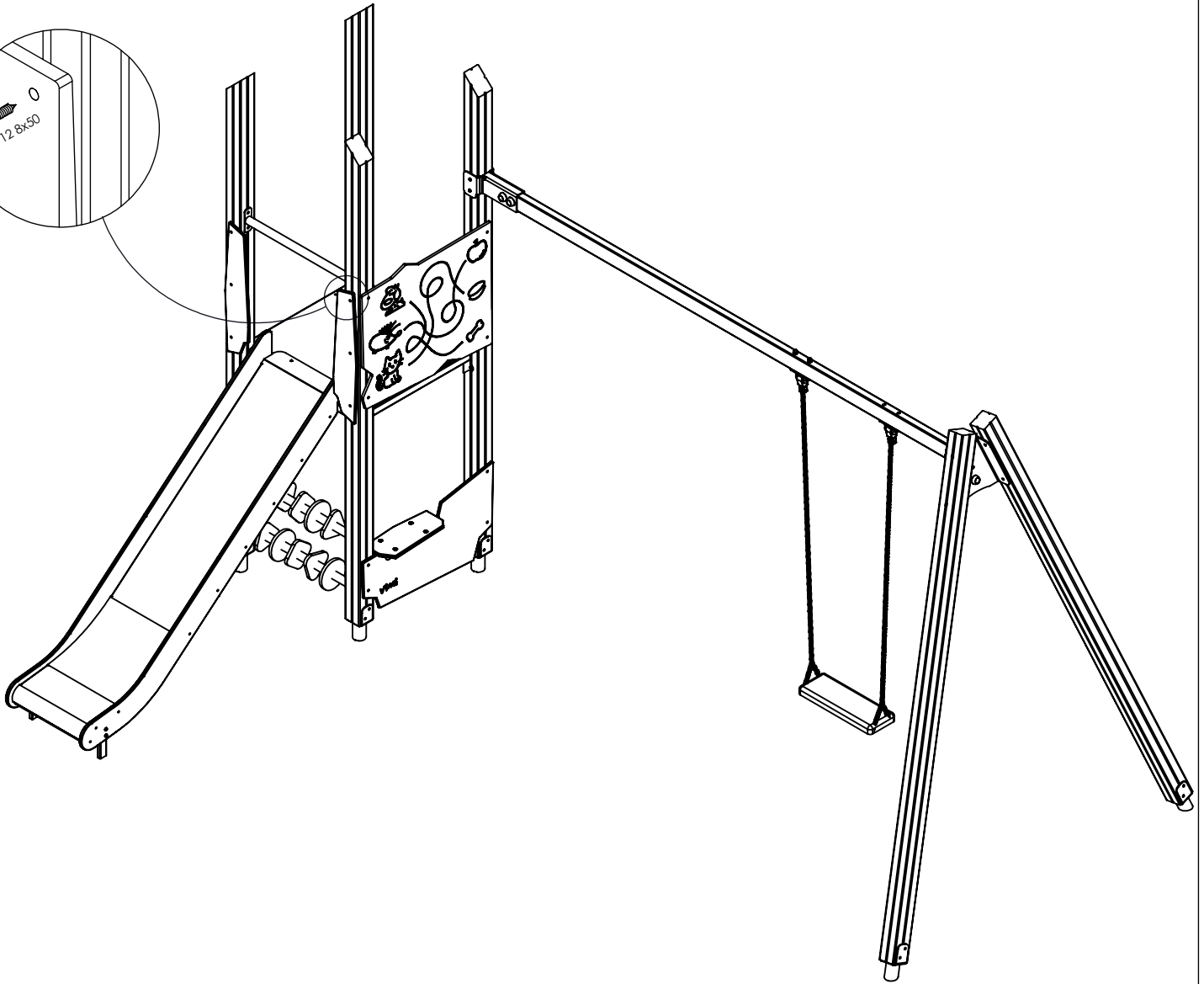
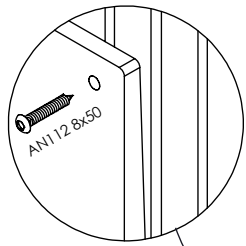


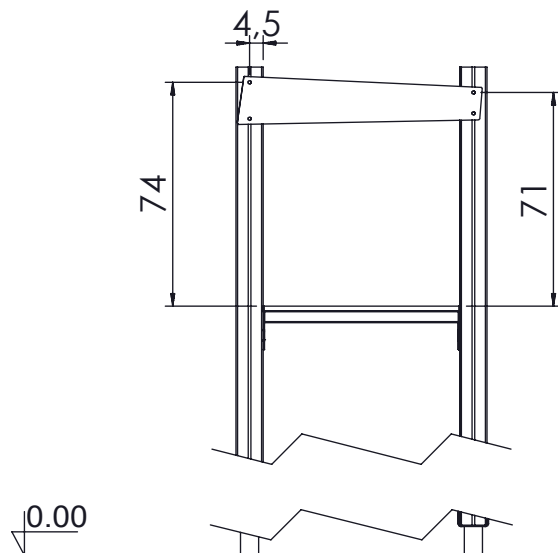
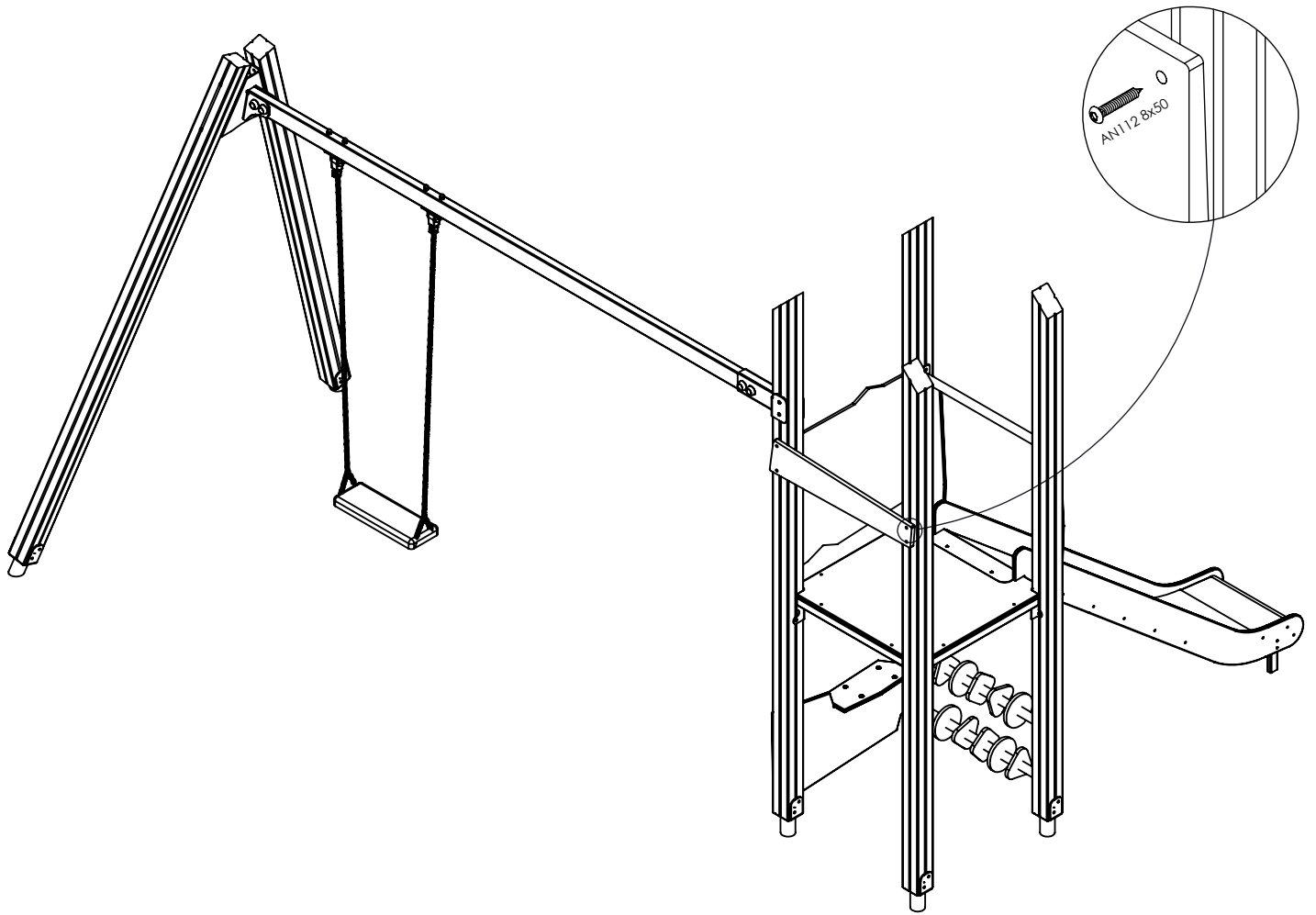




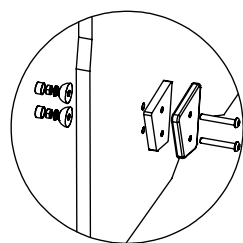
-	PLYWOOD	HPL
1x	WD28	WD29



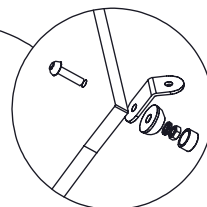




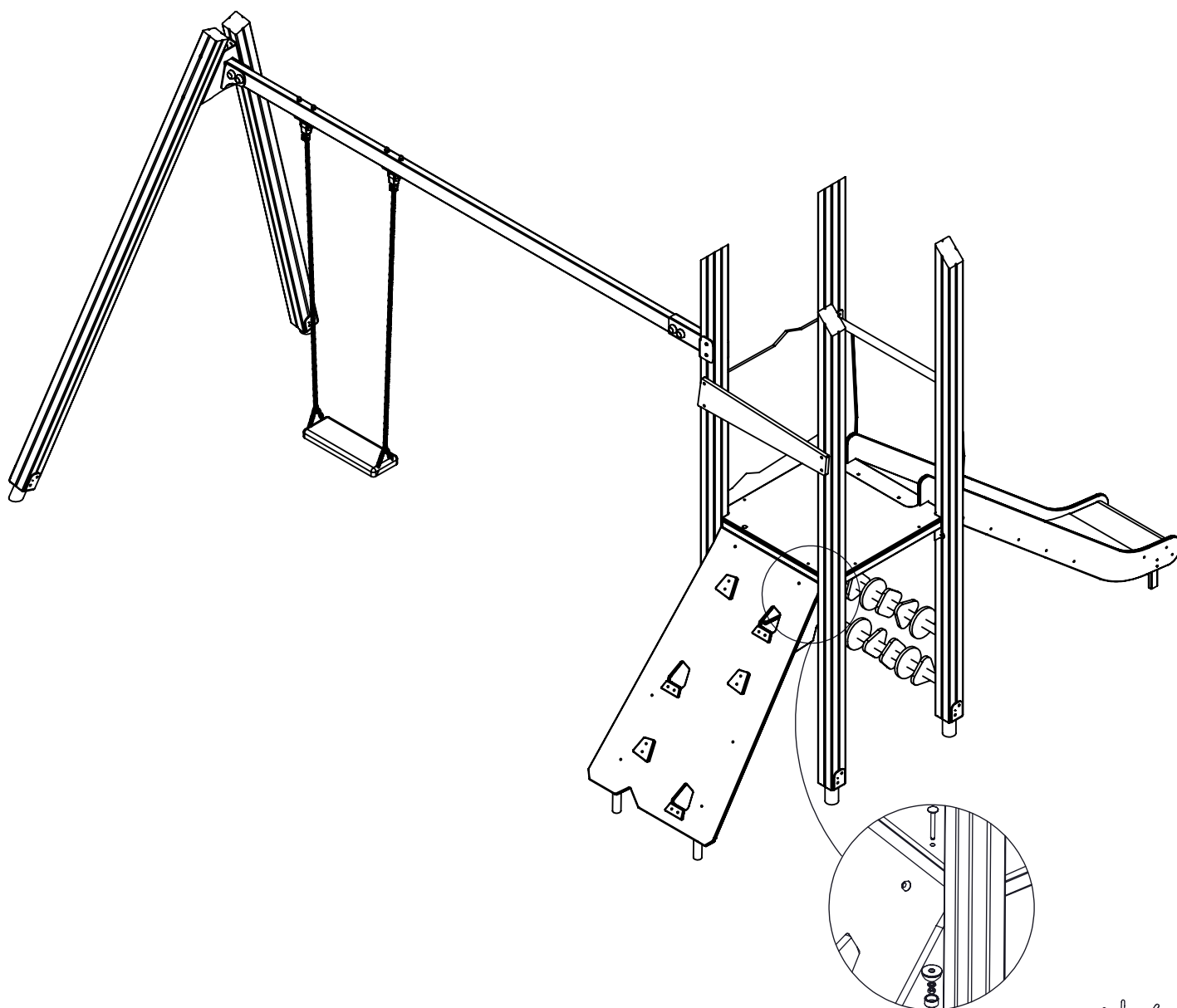
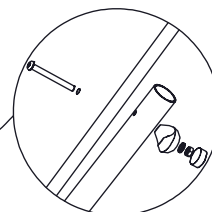
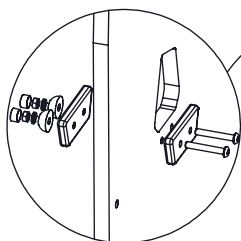
-	PLYWOOD	HPL
3x	WD15	WD16

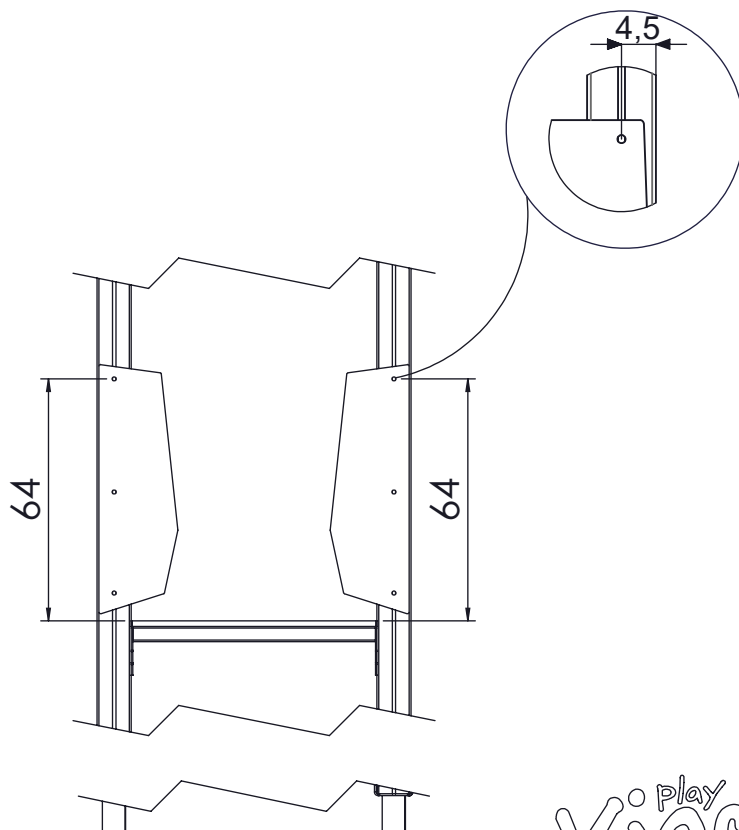
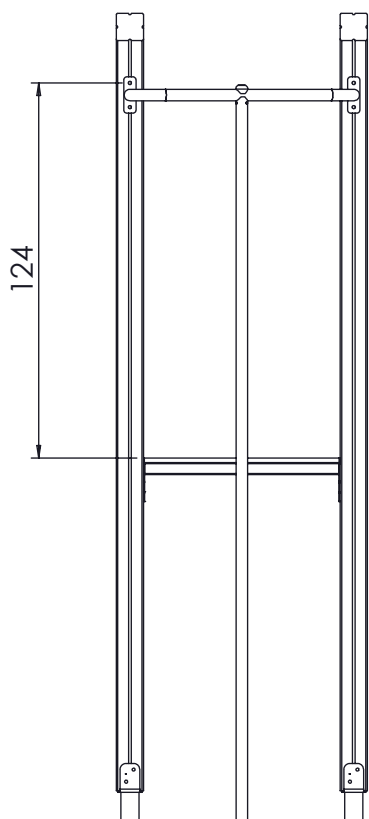
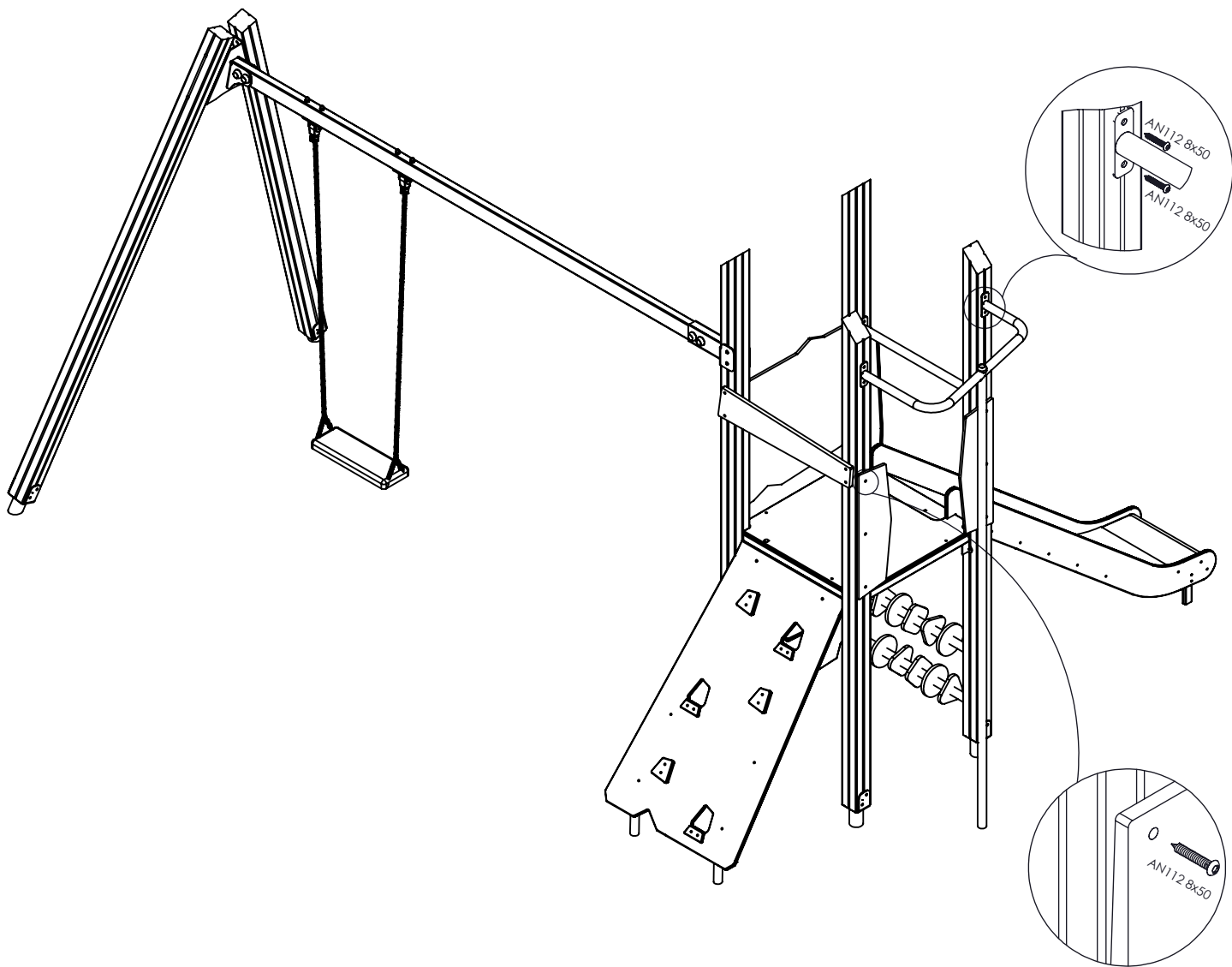


-	PLYWOOD	HPL
1x	WD37	WD38

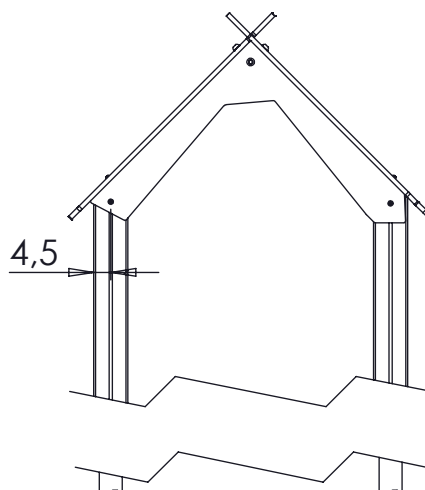
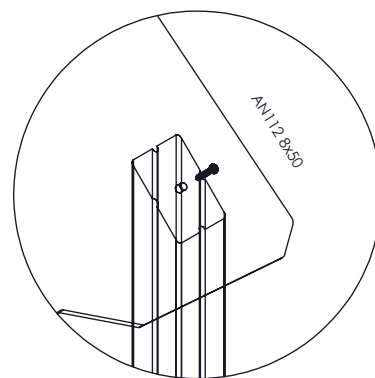
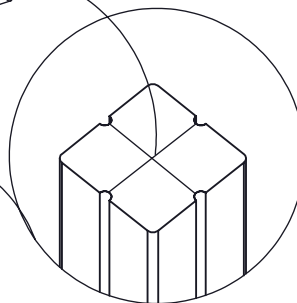
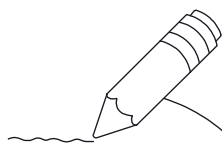
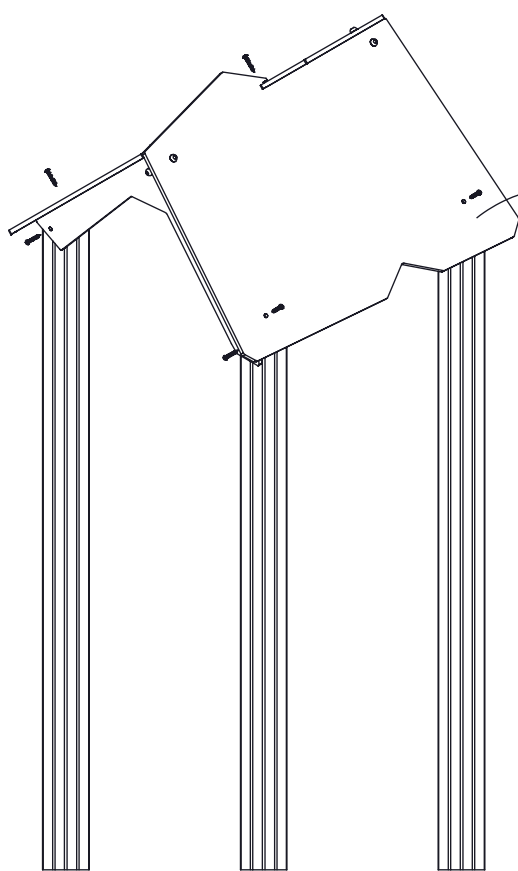
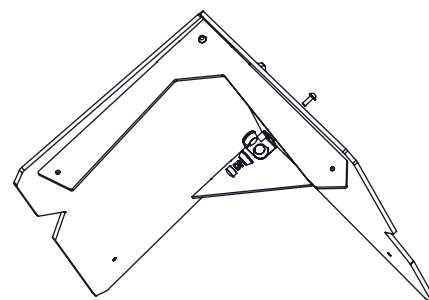
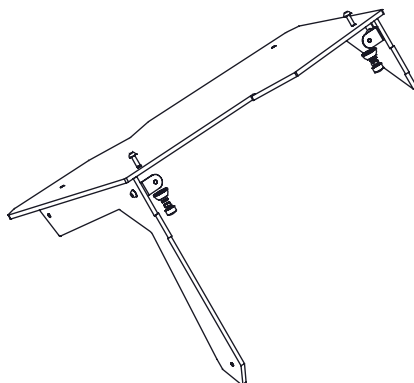
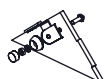
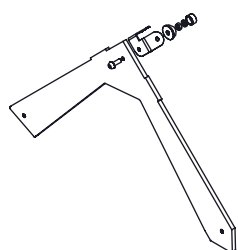
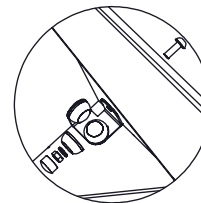
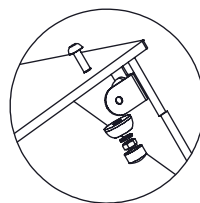
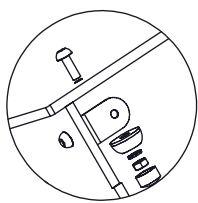
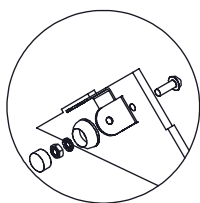
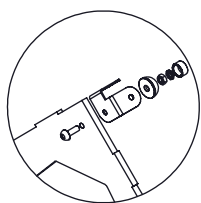


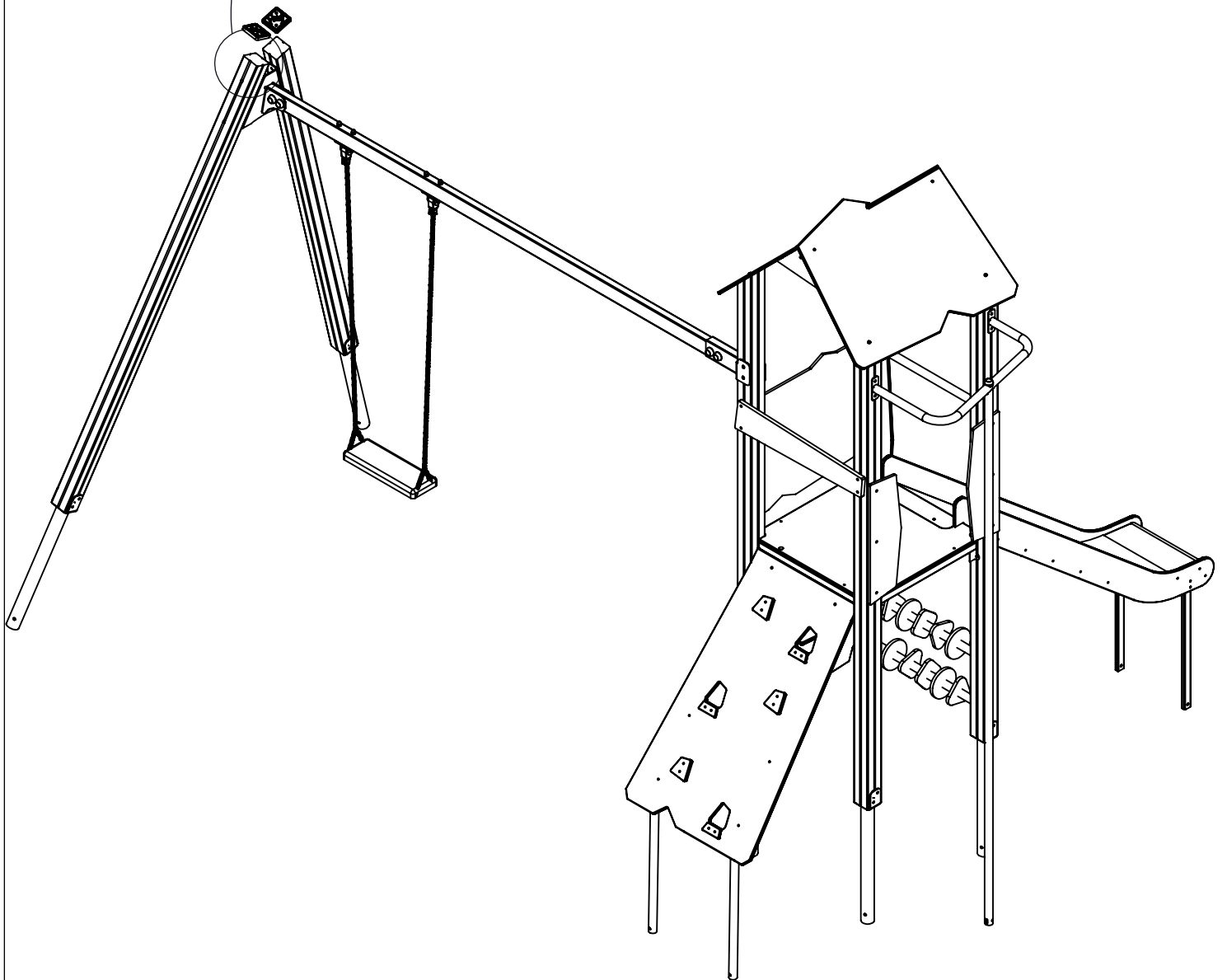
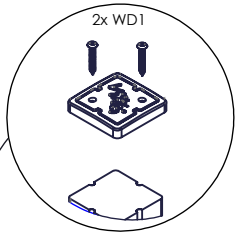
-	PLYWOOD	HPL
3x	WD35	WD36




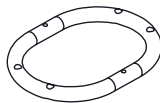
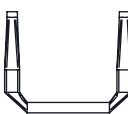




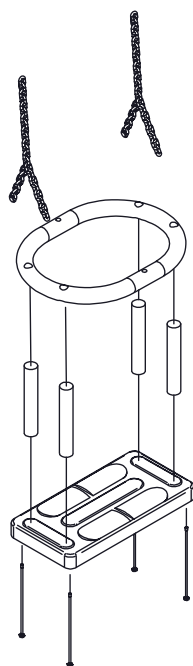


-	HDPE	HPL
1x	WD33	WD34

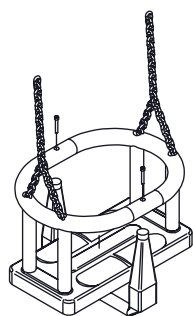




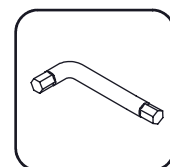
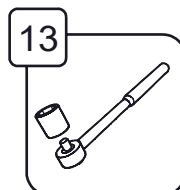
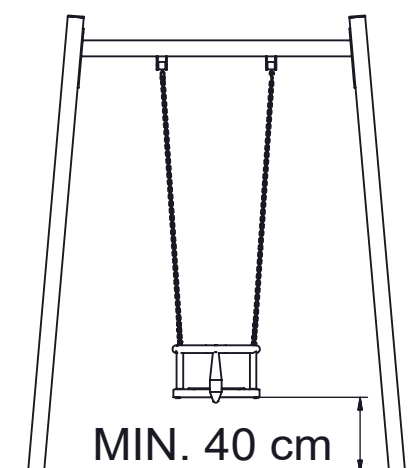
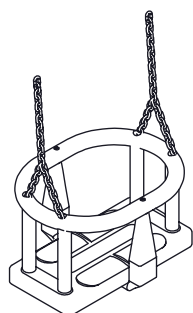
- I
- | | | | | | | |
|---|---|---|---|--|---|---|
| X4 | X4 | X1 | X1 | X1 | X2 | X2 |
|  |  |  |  |  |  |  |
| A | B | C | D | E | F | G |



A + B + C + D + G



D + E + F



II

X1



A

X2

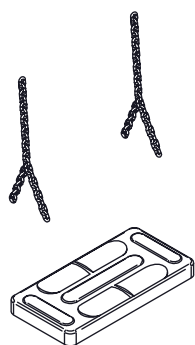


B

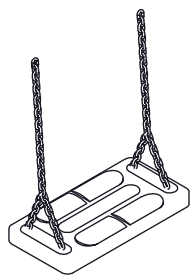
X4



C



A + B



III

X1



A

X2

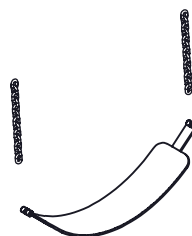


B

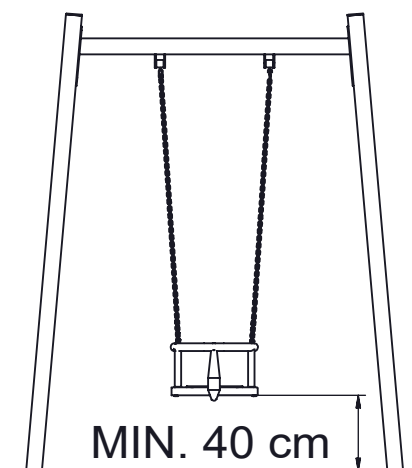
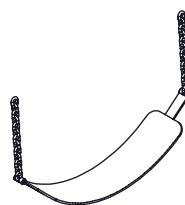
X2



C

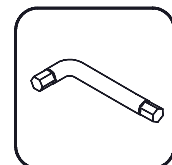
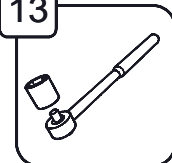


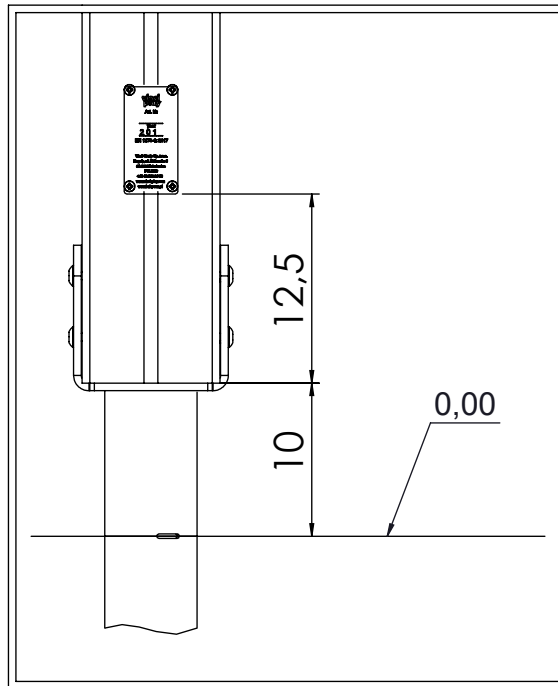
A + B + C



MIN. 40 cm

13





V001

