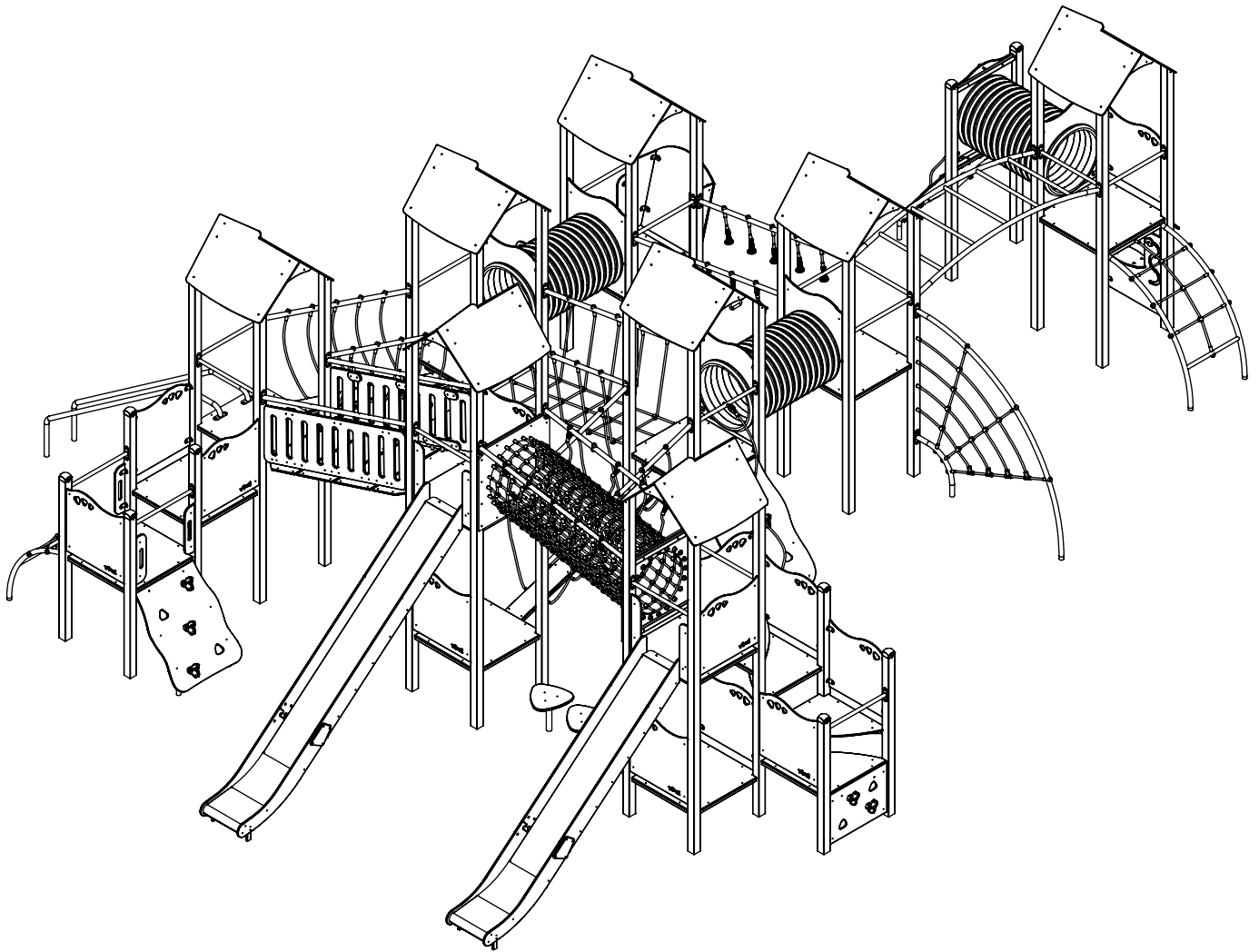



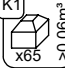


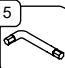

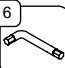

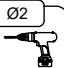


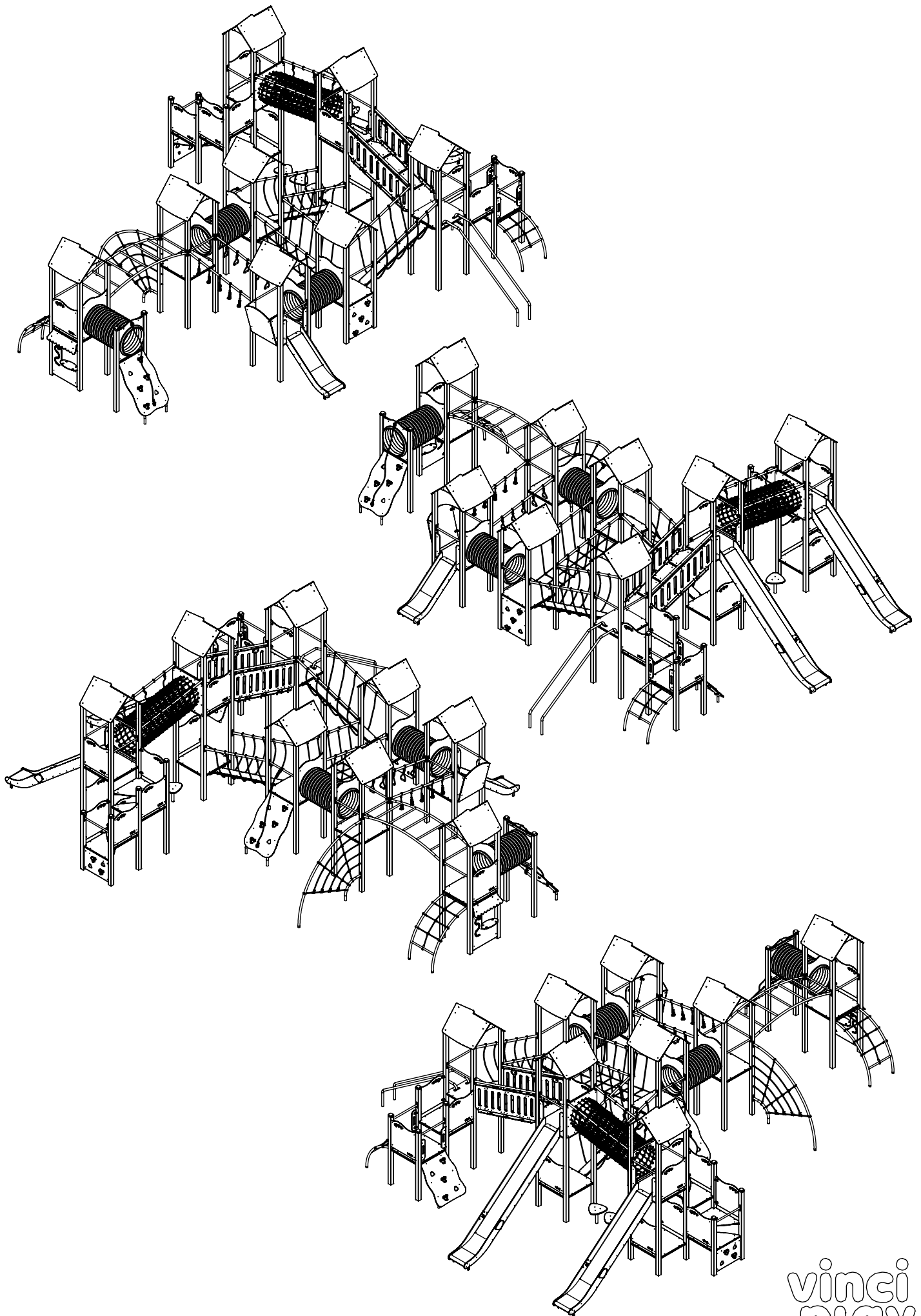
0211-1



| | | | | | | | | | | | |
|--|-----|---|---|---|---|---|------------|---|----|--|---|
|  x4 | 21h |  |  | 48h |  K1 x65 |  K2/K3 x65 | 210 HIC | | | | |
|  | 5 |  | 13 |  | 6 |  | 17 |  | Ø2 |  | 2 |

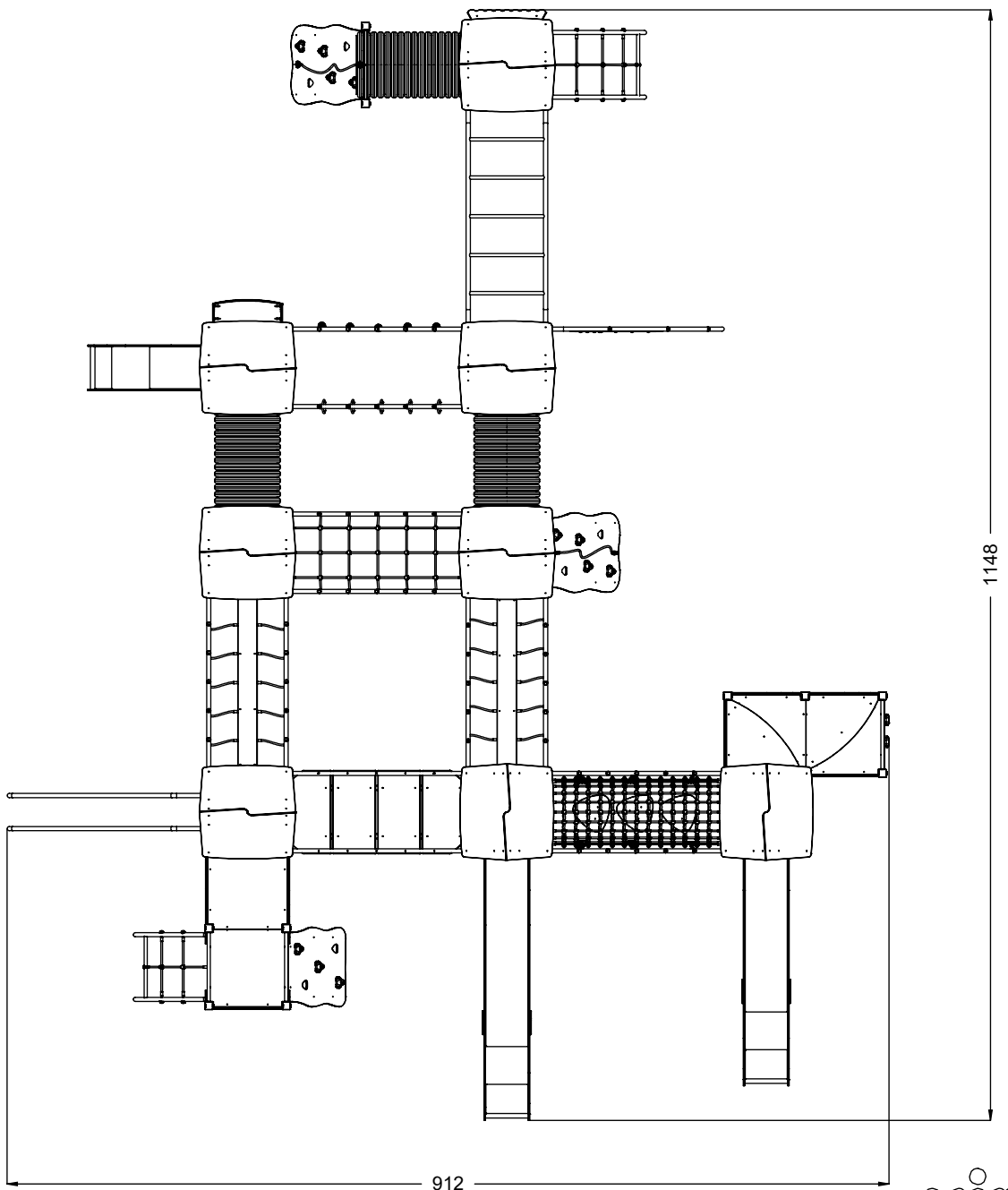
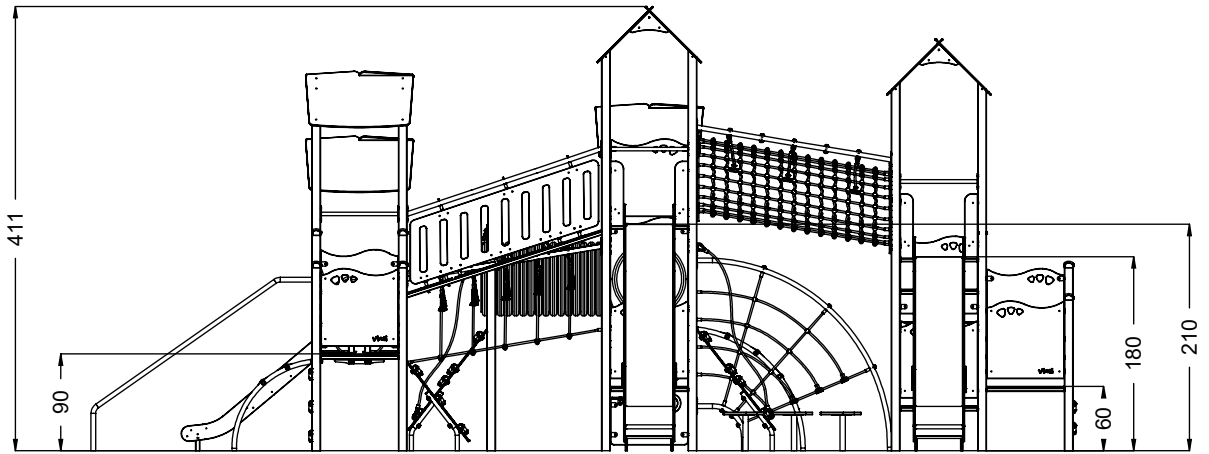
v015
17.05.2021
A. P.
[cm]

vinci
play



[cm]

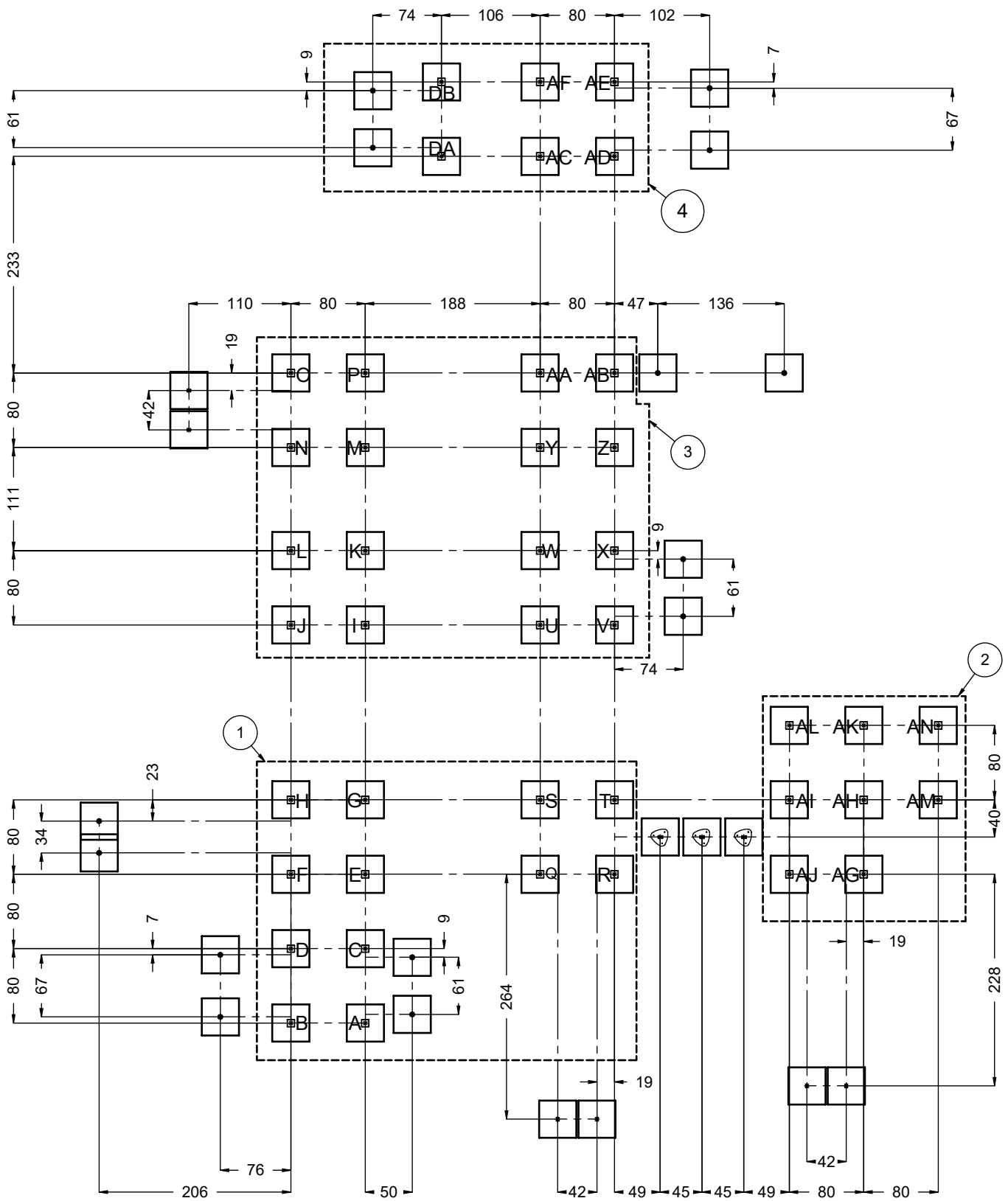
vinci
play



[cm]



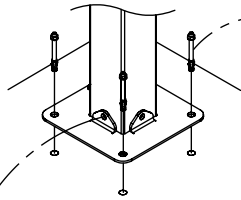
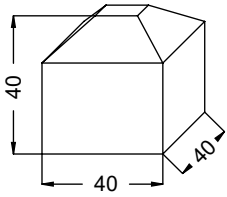
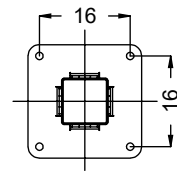
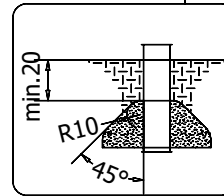
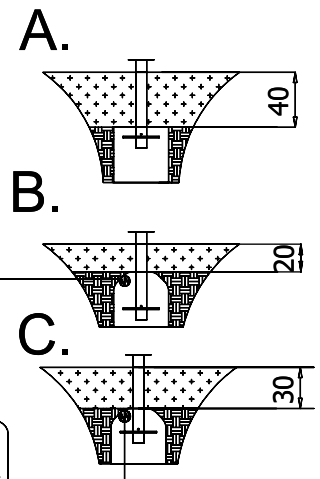
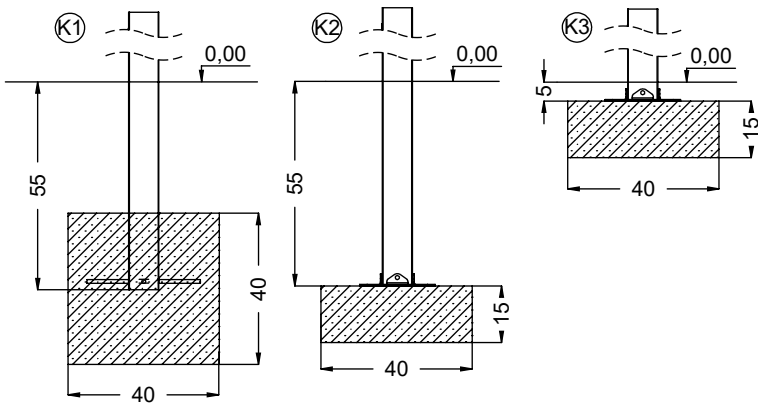
vinci
play




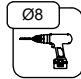




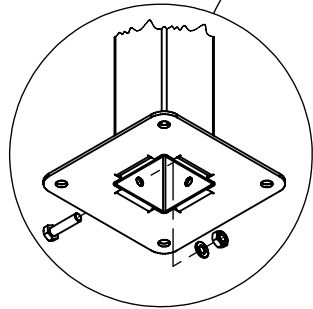
[cm]



vinci play



| | |
|---|---|
| 177x M10x120 (K2) | 18x M8x120 (K2) |
| 193x M10x120 (K3) | 12x M8x120 (K3) |
|   |   |
| NOT INCLUDED  | NOT INCLUDED  |



E37



21h

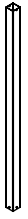


48h

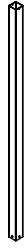


[cm]

vinci play



211AM
x1



211A
x1



211B
x1



211AN
x1



211C
x1



211D
x1



211AK
x1



211AL
x1



211I
x1



211J
x1



211K
x1



211L
x1



211M
x1



211N
x1



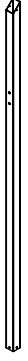
211O
x1



211P
x1



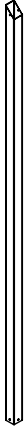
211U
x1



211V
x1



211W
x1



211X
x1



211Y
x1



211Z
x1



211AA
x1



211AB
x1



211AC
x1



211AD
x1



211AE
x1



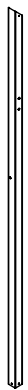
211AF
x1



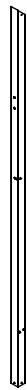
211E
x1



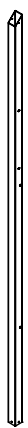
211F
x1



211G
x1



211H
x1



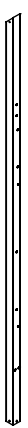
211AG
x1



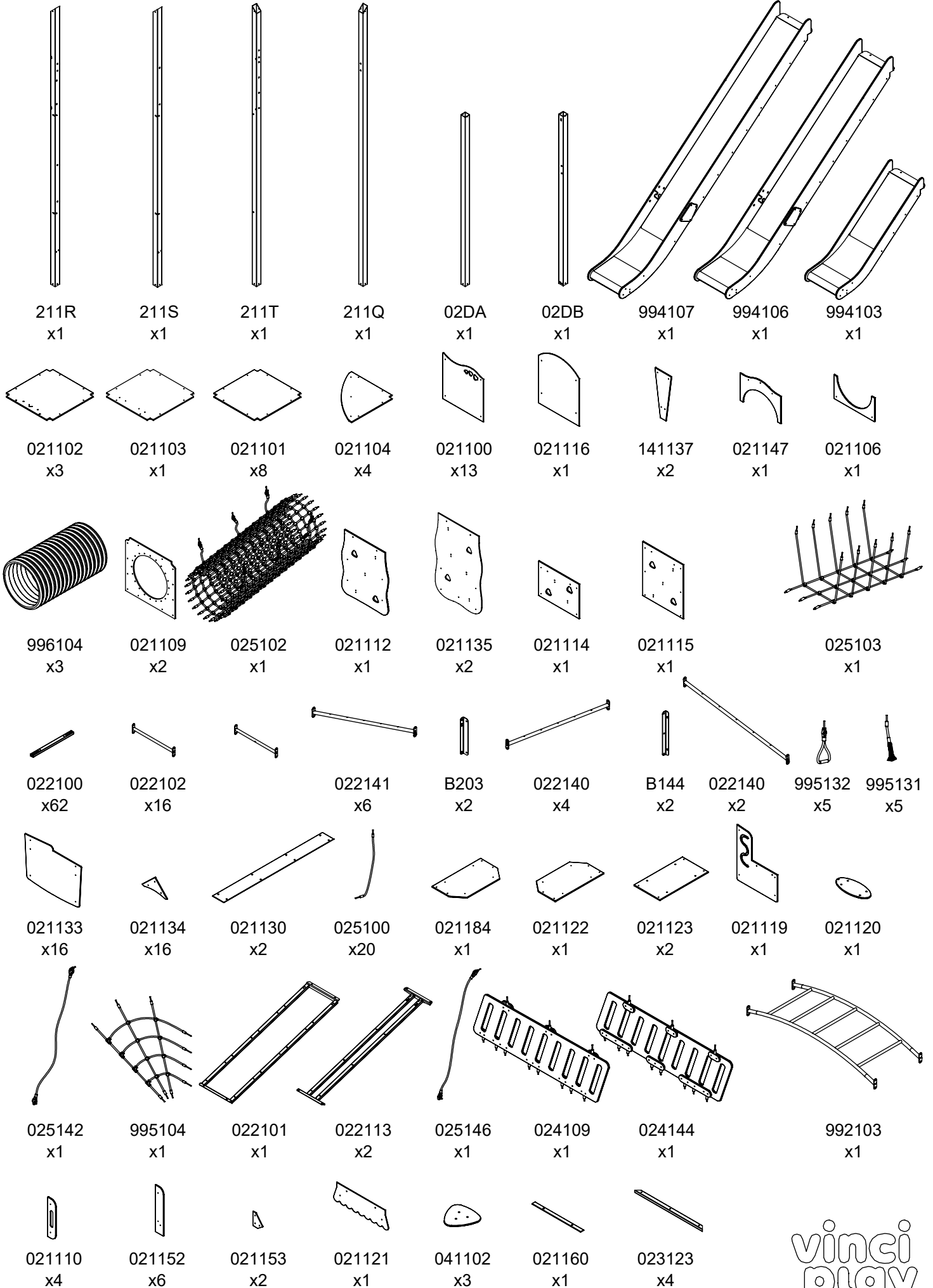
211AH
x1



211AI
x1

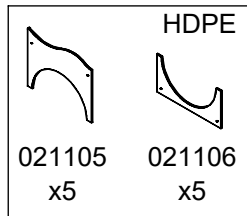
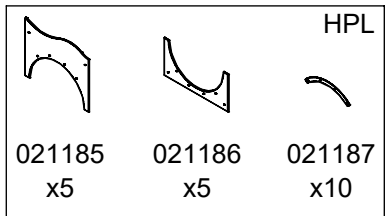
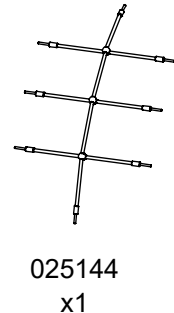
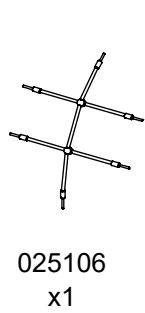
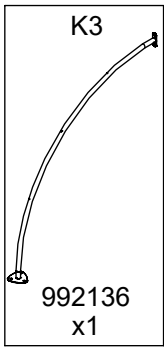
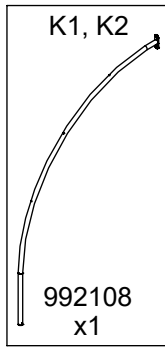
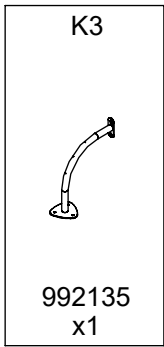
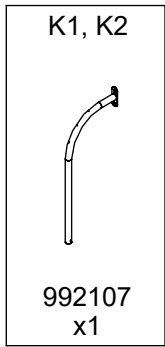
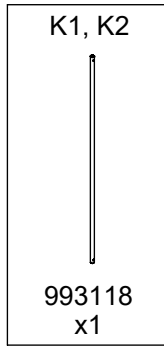
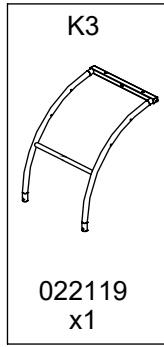
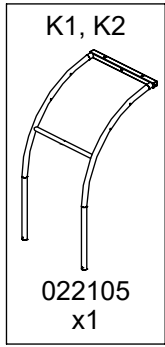
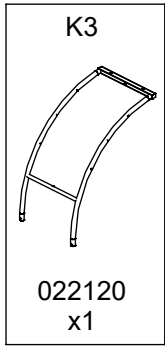
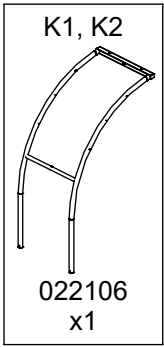
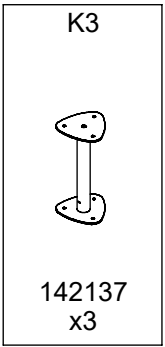
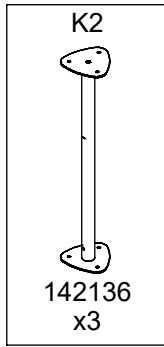
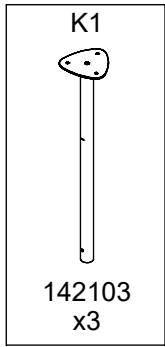
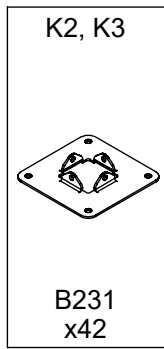
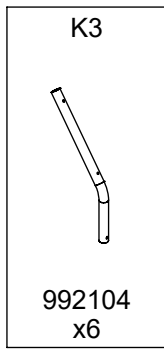
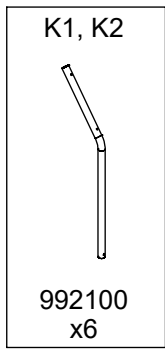
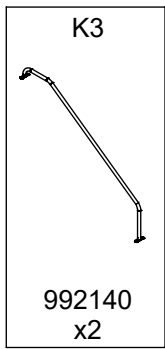
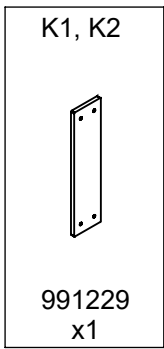
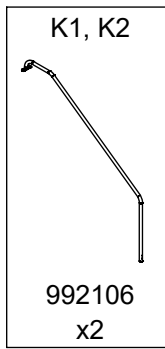
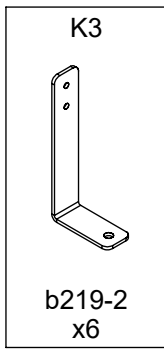
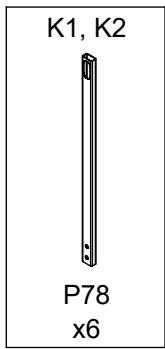


211AJ
x1

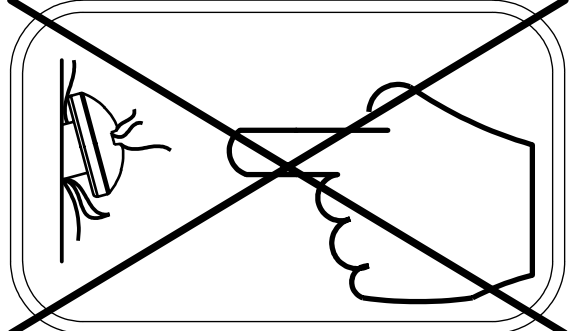
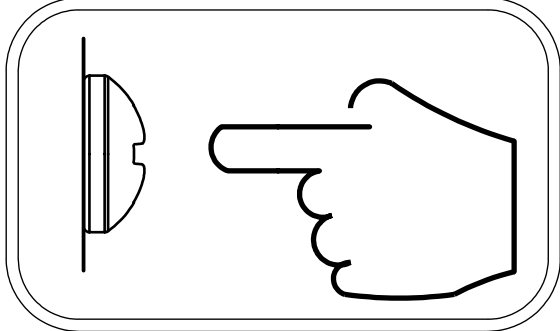
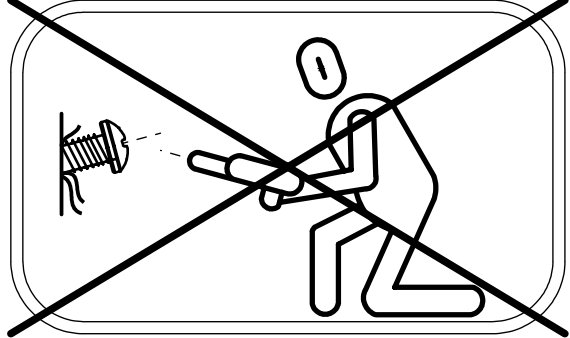


[cm]

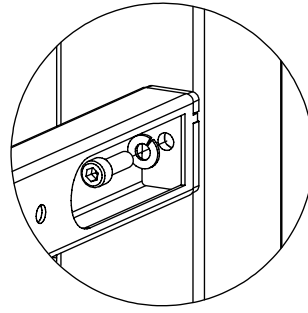
vinci
play



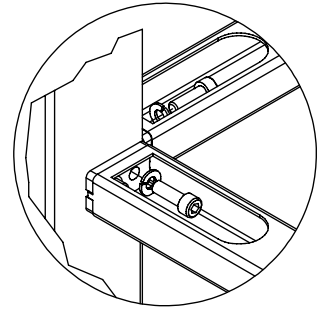
| ST/INOX | | PLYWOOD / HDPE | | HPL | |
|---------|--------------|----------------|-----------|------|-----------|
| | E37 (K2, K3) | 3 x | E8 (S1) | 3 x | E9 (S1) |
| 3 x | E34 (K1, K3) | 3 x | E152 (S6) | 3 x | E153 (S6) |
| 1 x | E40 (K1) | 16 x | CE1 | 16 x | CL1 |
| 1 x | E44 (K1) | 3 x | PS1 | 3 x | PH1 |
| 3 x | E35 (K2) | 7 x | PS2 | 7 x | PH2 |
| 1 x | E80 (K2) | 8 x | CE2 | 8 x | CL2 |
| 5 x | E88 (K2, K3) | 3 x | PS3 | 3 x | PH3 |
| 1 x | E175 (K2) | 2 x | E4 | 8 x | CL4 |
| 32 x | E1 | 8 x | CE4 | 3 x | PH4 |
| 12 x | E3 | 3 x | PS4 | 1 x | CL5 |
| 1 x | E23 | 1 x | CE5 | 1 x | PH93 |
| 4 x | E28 | 1 x | PS93 | 2 x | E5 |
| 7 x | E42 | 4 x | PS5 | 4 x | PH5 |
| 1 x | E48 | 1 x | CE6 | 1 x | CL6 |
| 1 x | E51 | 1 x | E6 | 1 x | E7 |
| 4 x | E52 | 2 x | PS21 | 2 x | PH21 |
| 2 x | E56 | 1 x | PS91 | 1 x | PH91 |
| 1 x | E78 | 2 x | PS22 | 2 x | PH22 |
| 2 x | E79 | 1 x | PS23 | 1 x | PH23 |
| 1 x | E89 | 1 x | PS24 | 1 x | PH24 |
| 1x | E238 | 3 x | CE31 | 3 x | CL31 |
| 1x | E239 | 4 x | PS31 | 4 x | PH31 |
| 1x | V001 | 1 x | PS34 | 1 x | PH34 |
| | | 1 x | PS35 | 1 x | PH35 |
| | | 2 x | CE39 | 2 x | CL39 |
| | | 1 x | CE40 | 1 x | CL40 |
| | | 3 x | PS50 | 3 x | PH50 |
| | | 1 x | PS55 | 1 x | PH55 |
| | | 8 x | CE111 | 8 x | CL111 |
| | | 1 x | PS92 | 1 x | PH92 |
| | | | | 5 x | E130 |



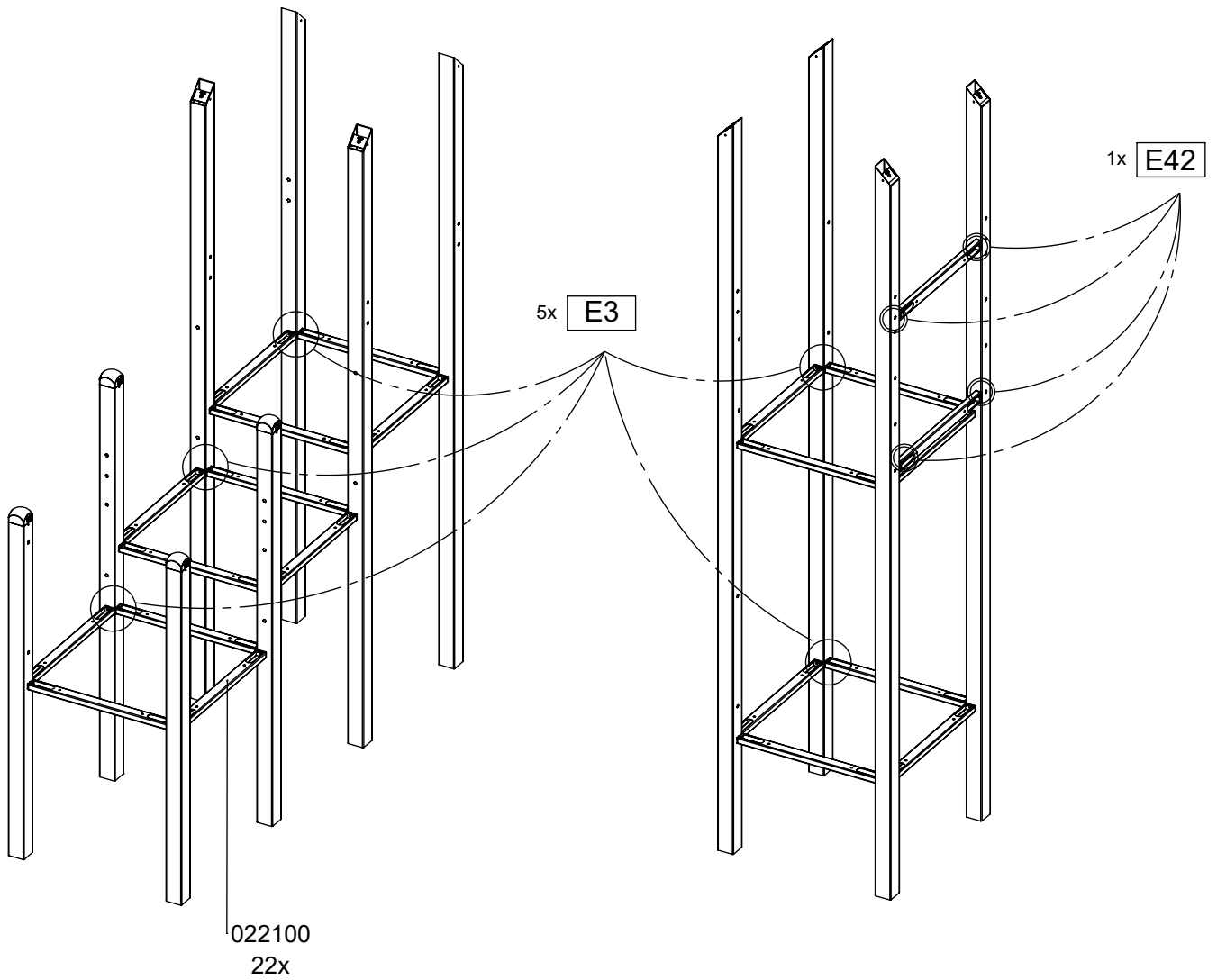
1



E42



E3

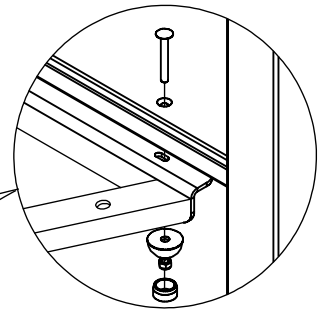
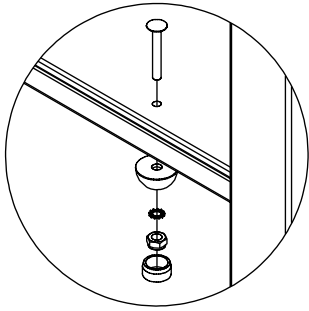


022100
22x

[cm]

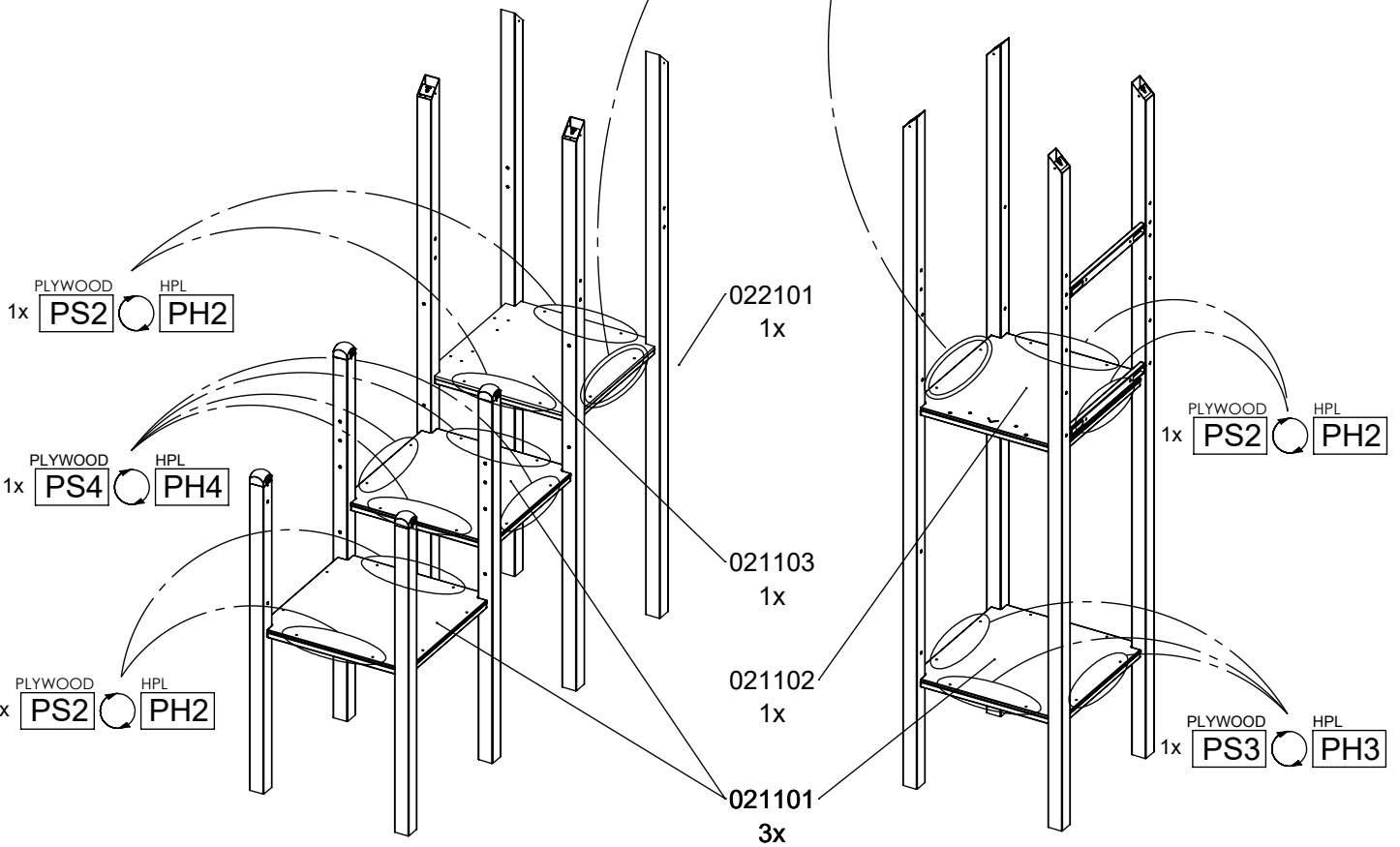


vinci
play



PLYWOOD PS2 HPL PH2
 PLYWOOD PS3 HPL PH3
 PLYWOOD PS4 HPL PH4

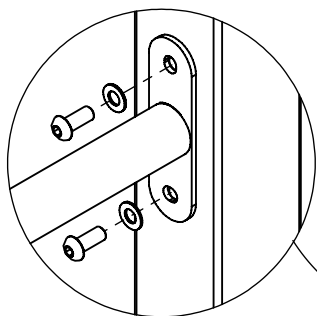
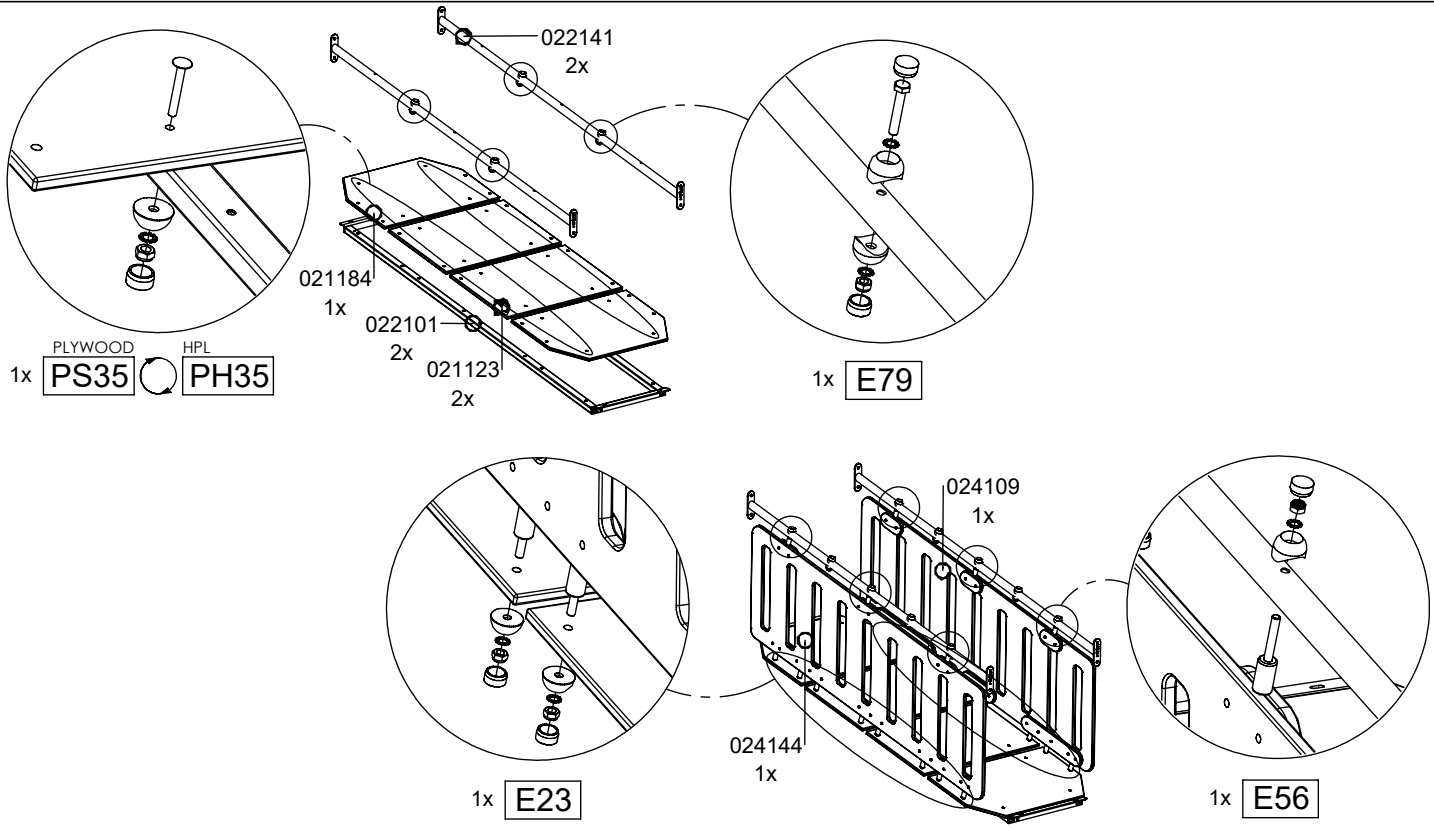
1x PLYWOOD PS31 HPL PH31



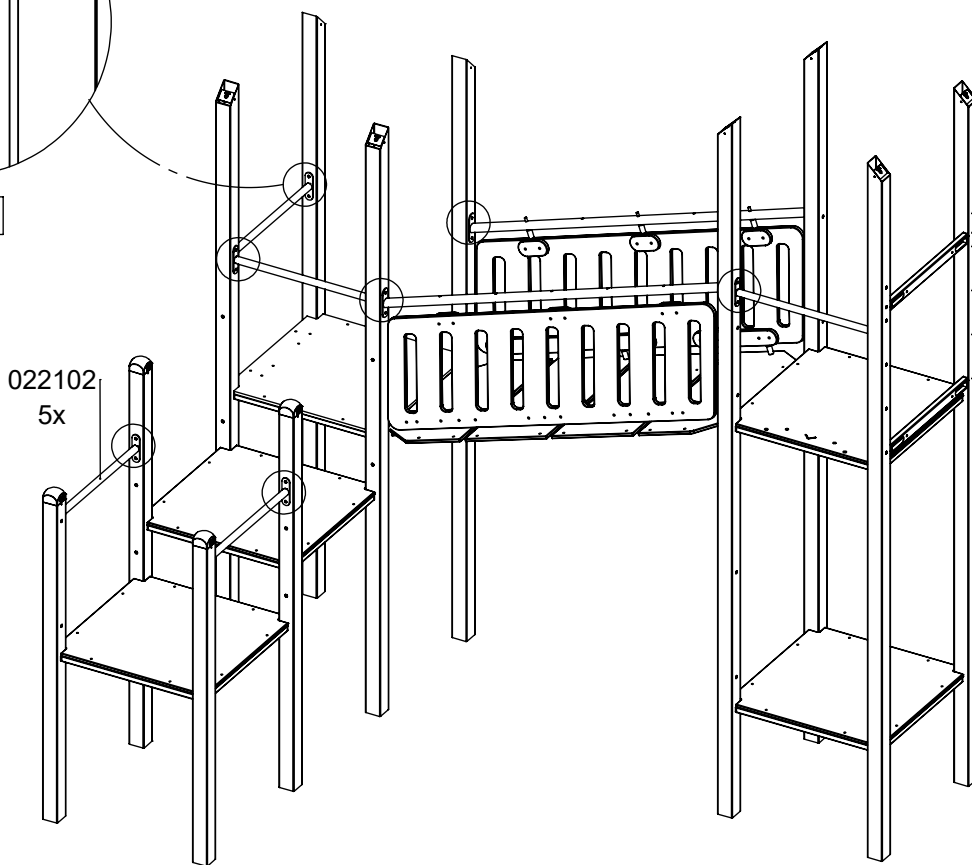
[cm]



vinci
 play



7x E1

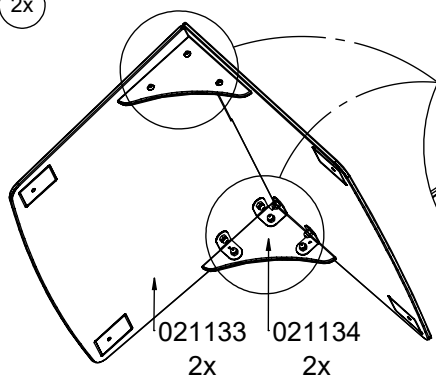


[cm]

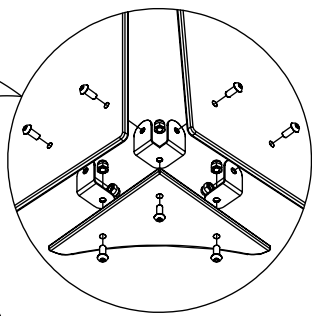


vinci
play

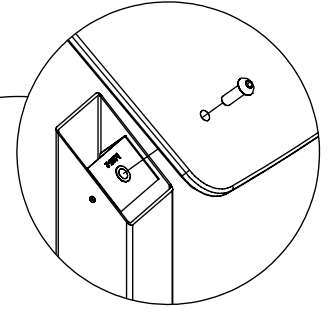
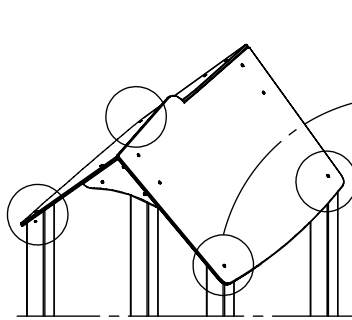
2x



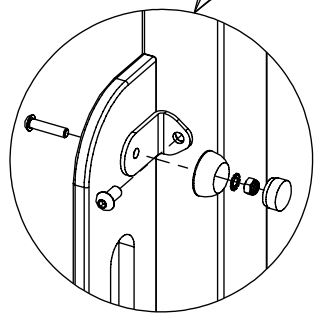
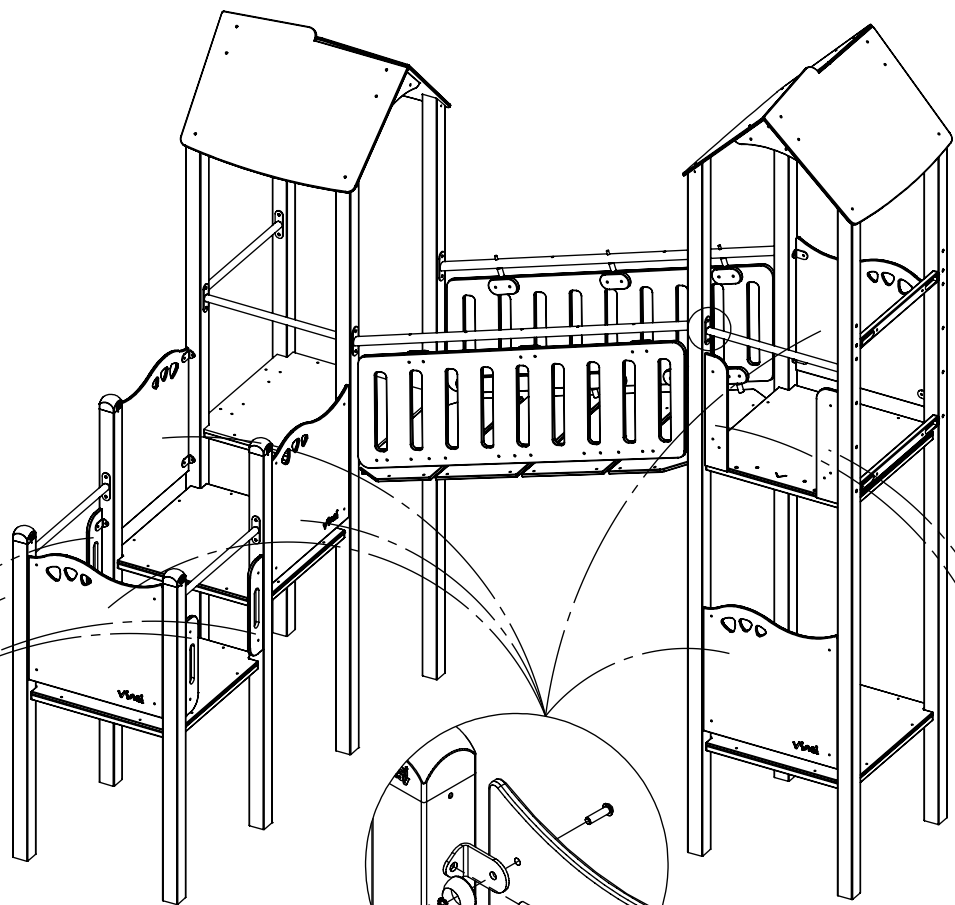
021133 2x
021134 2x



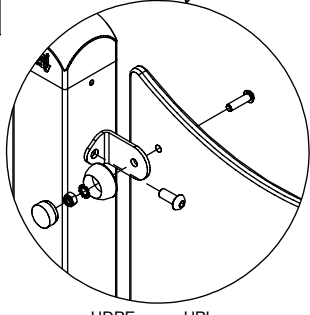
1x HDPE HPL
CE2 CL2



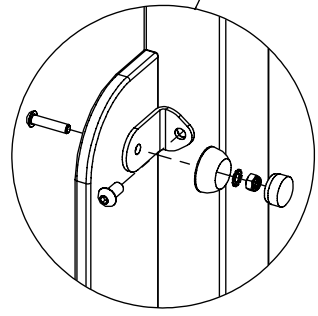
1x HDPE HPL
CE111 CL111



2x HDPE HPL
CE4 CL4

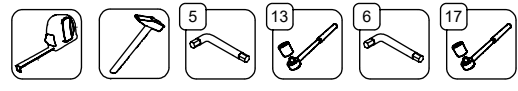


5x HDPE HPL
CE1 CL1

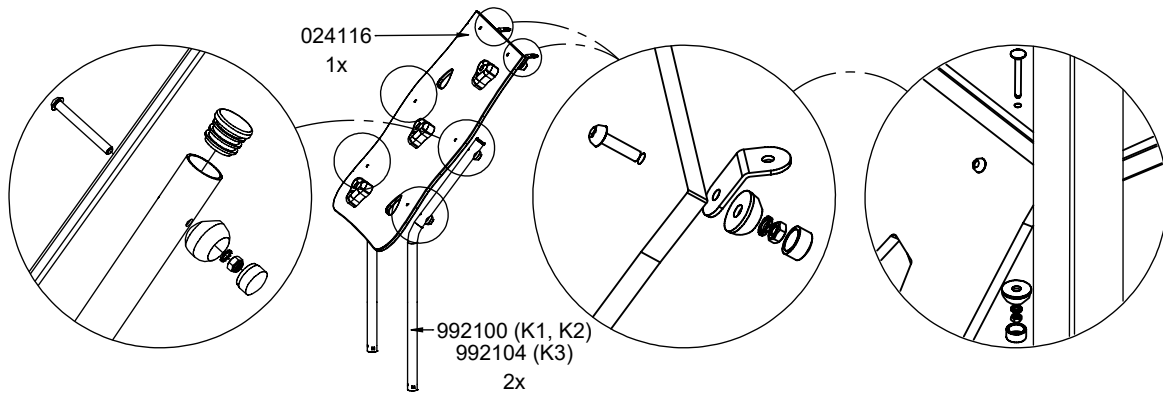


1x HDPE HPL
CE1 CL1

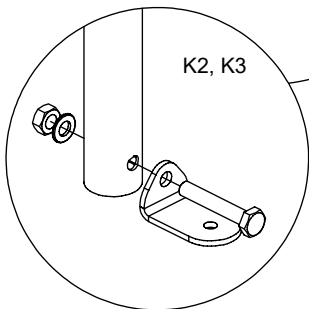
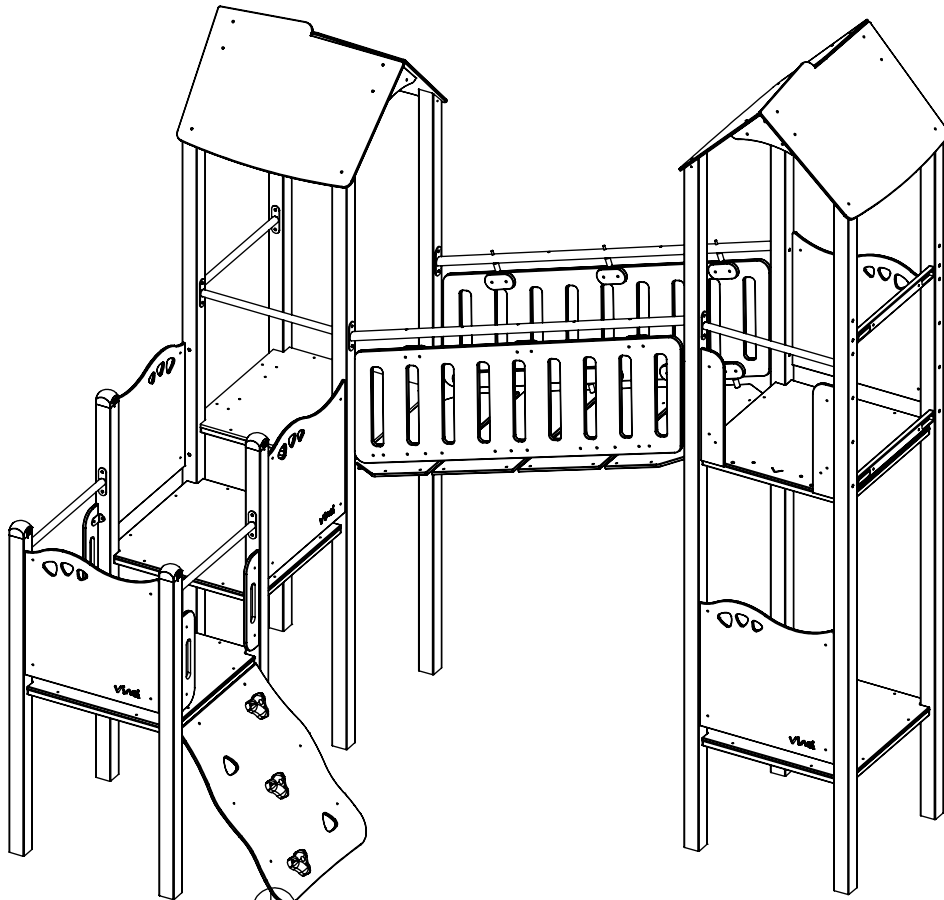
[cm]



vinci
play



1x PLYWOOD PS21 HPL PH21



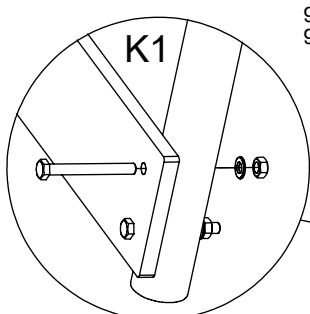
1x E88

[cm]

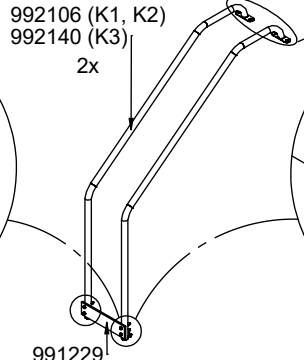


vinci play

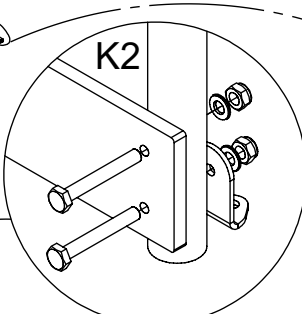
1x



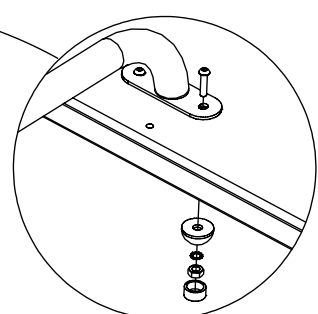
1x **E44**



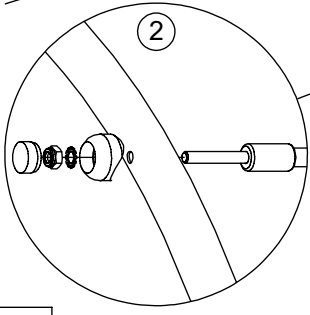
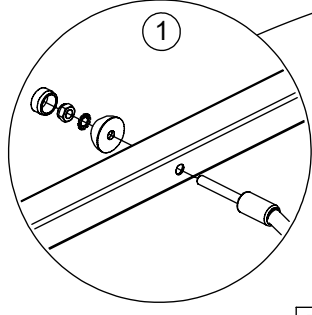
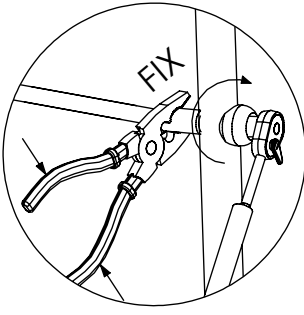
992106 (K1, K2)
992140 (K3)
2x
991229
1x



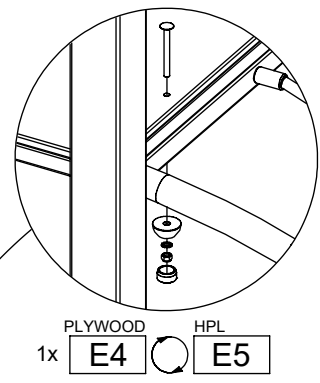
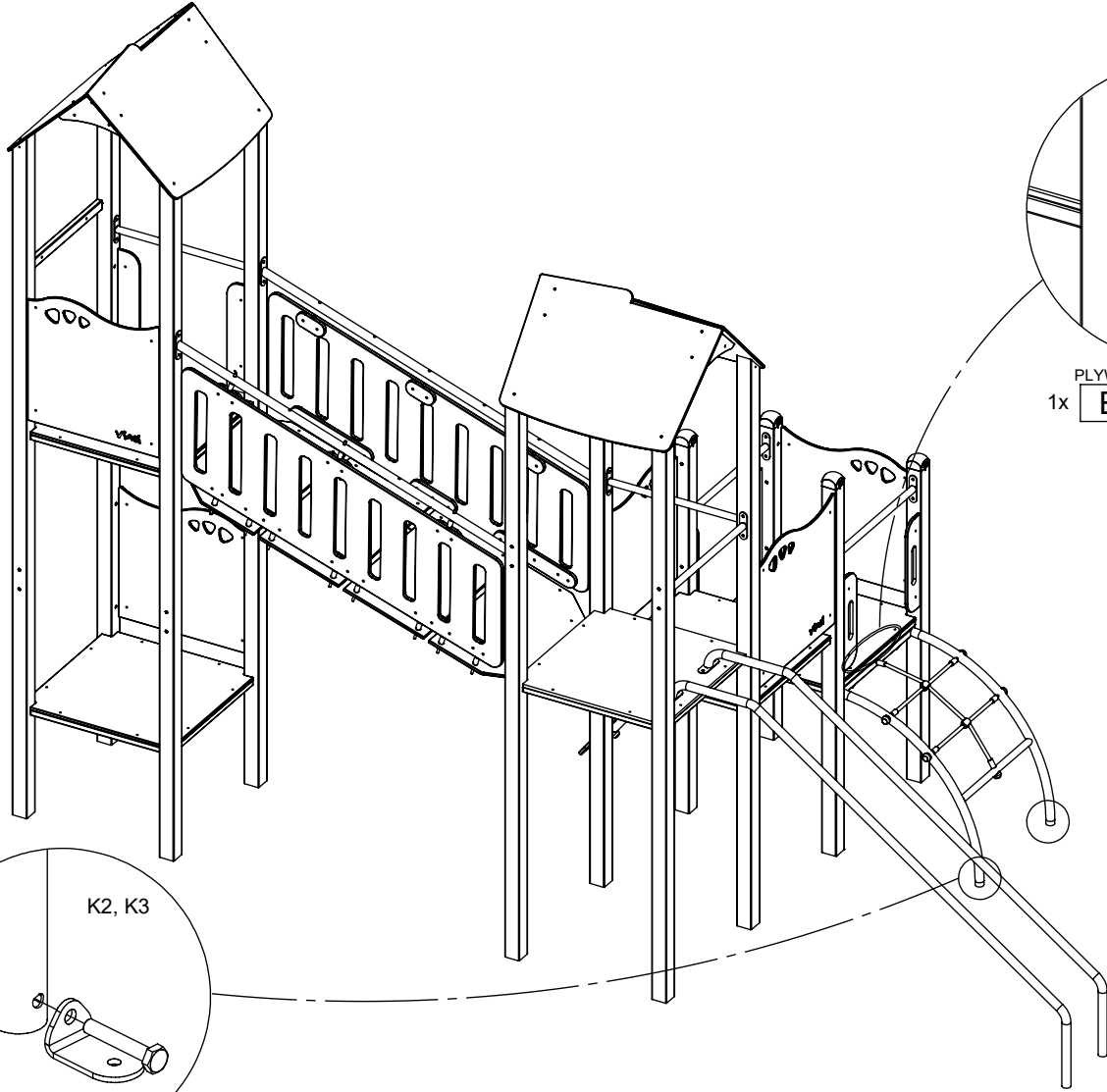
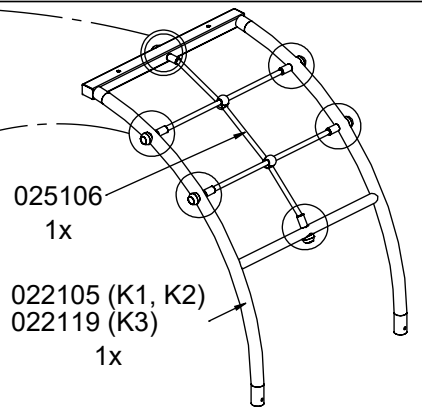
1x **E80**



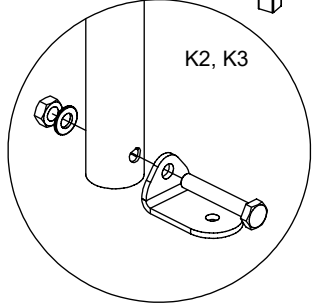
PLYWOOD
1x **E6** HPL
1x **E7**



1x **E238**

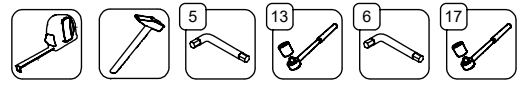


PLYWOOD
1x **E4** HPL
1x **E5**



1x **E88**

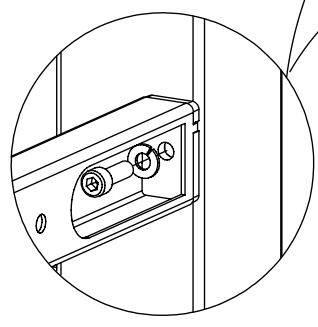
[cm]



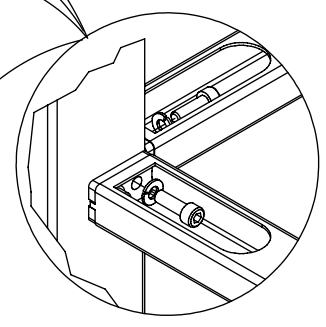
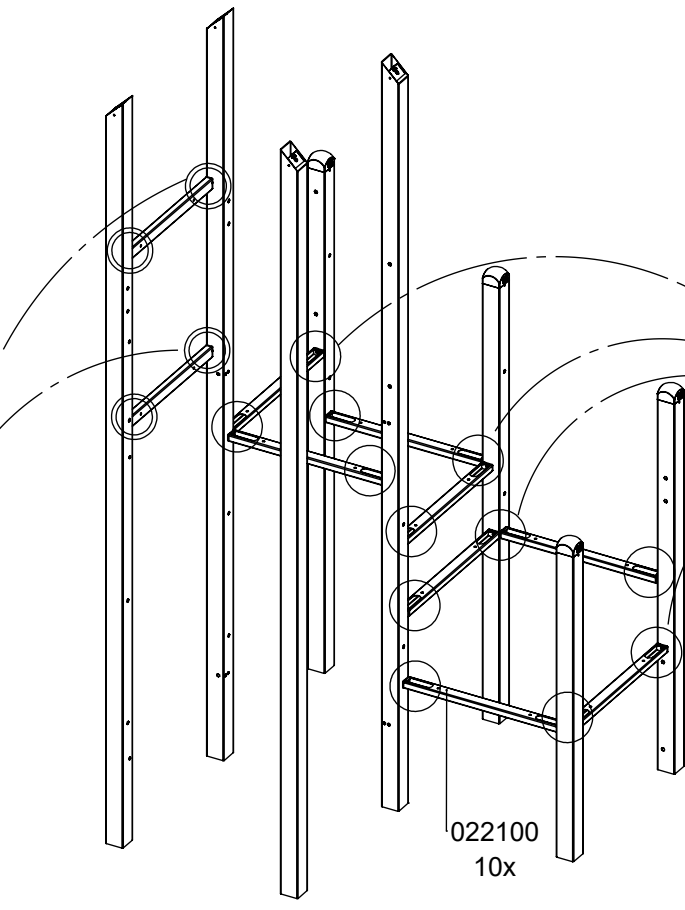
vinci
play

2

- AL AK AN
- AI AH AM
- AJ AG

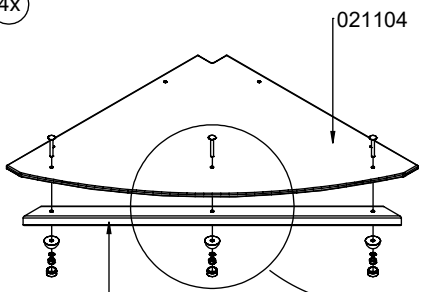


1x E42

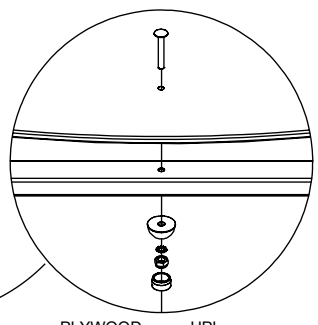


4x E42

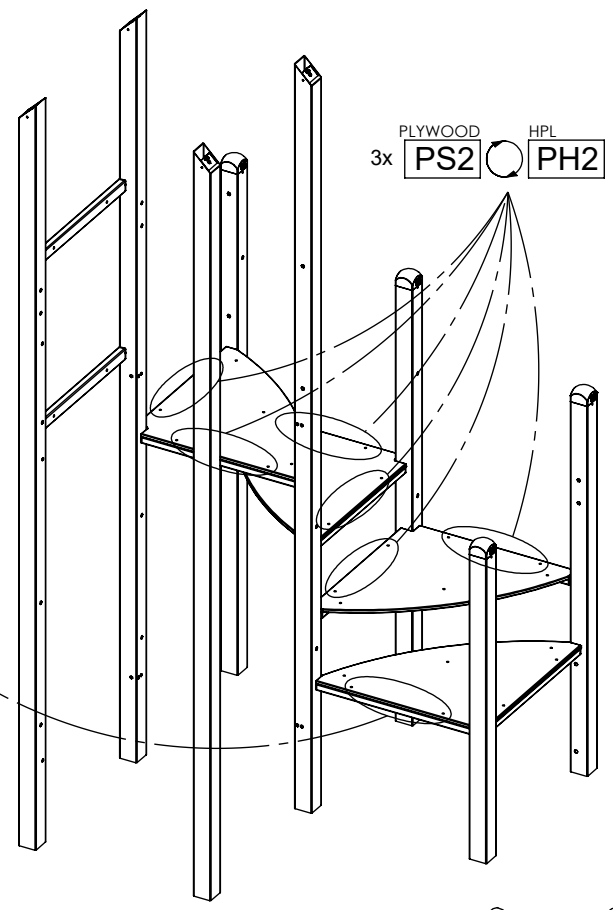
4x



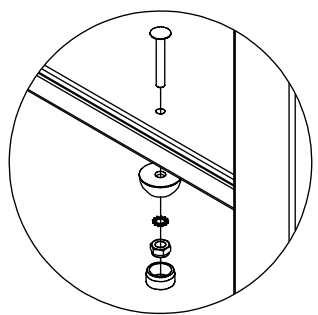
023123



PLYWOOD PS5 HPL PH5



PLYWOOD PS2 HPL PH2

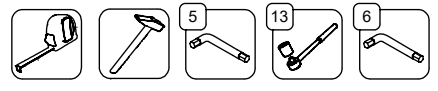


PLYWOOD PS1 HPL PH1

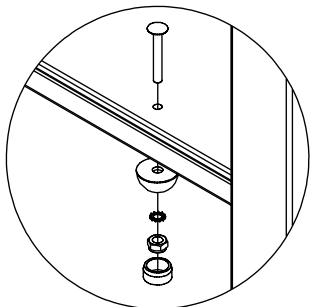
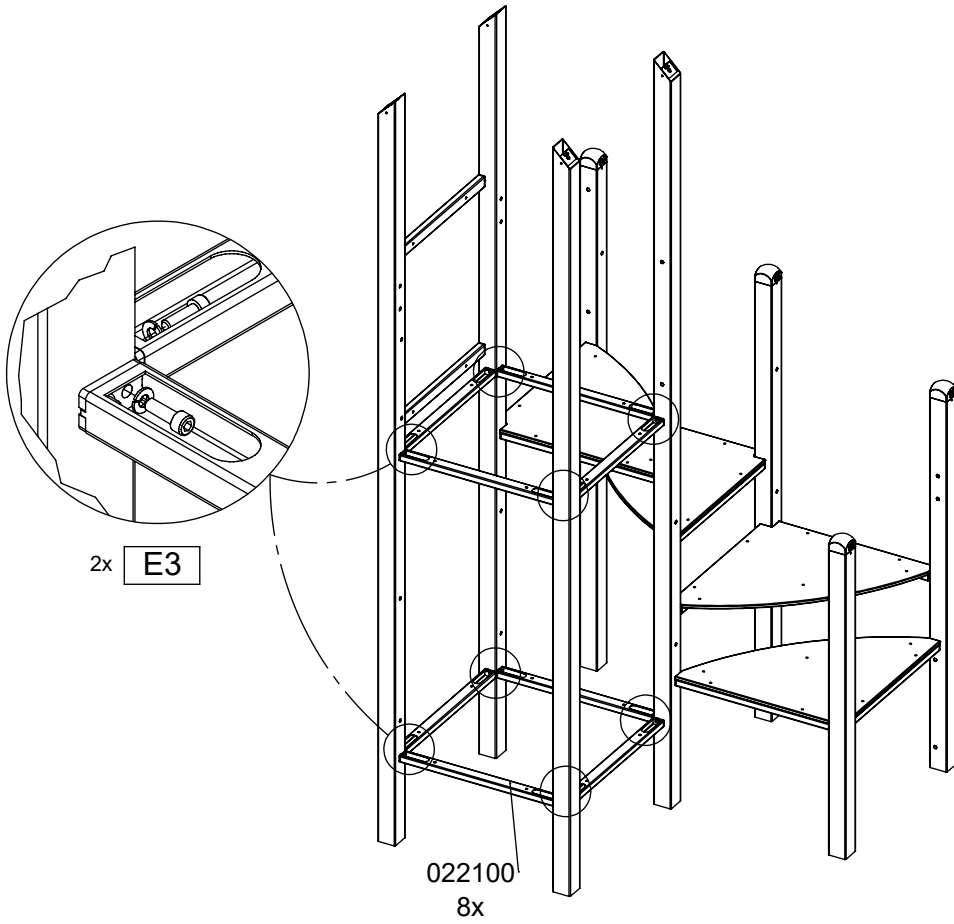
PLYWOOD PS1 HPL PH1

PLYWOOD PS2 HPL PH2

[cm]

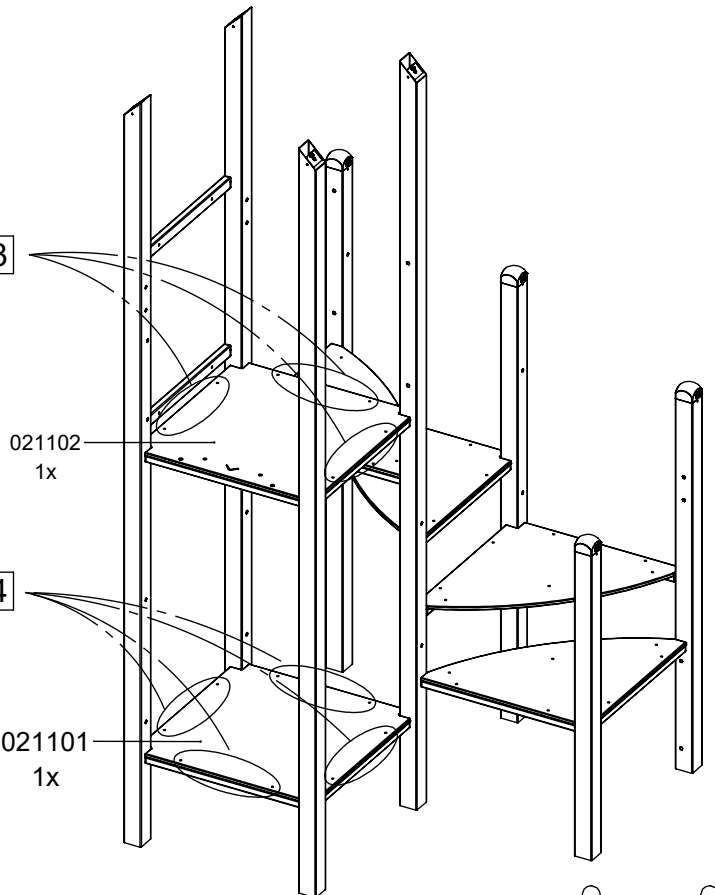


vinci play



| | |
|---------|-----|
| PLYWOOD | HPL |
| PS3 | PH3 |
| PLYWOOD | HPL |
| PS4 | PH4 |

1x PLYWOOD PS3 HPL PH3

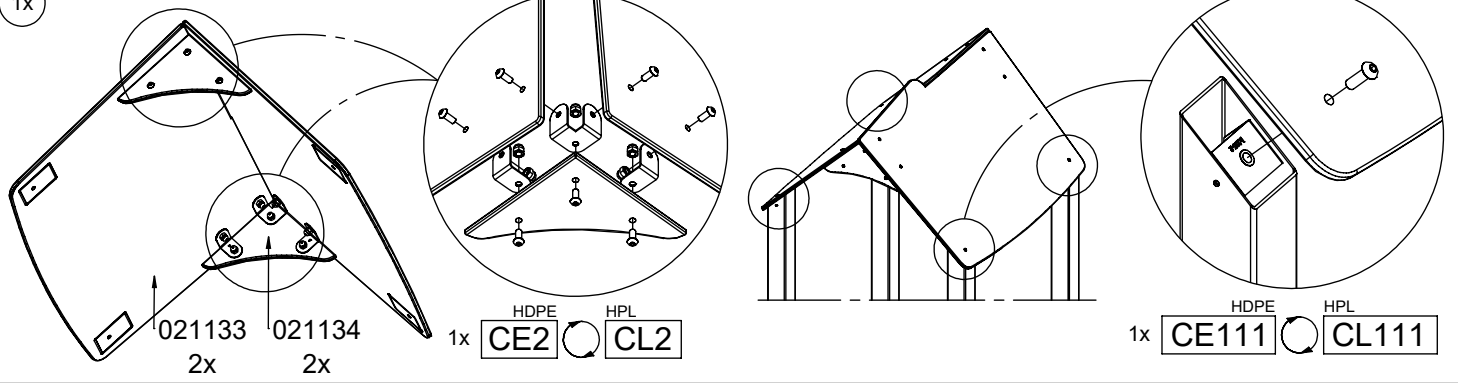


[cm]



vinci
play

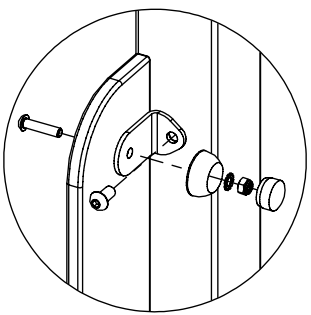
1x



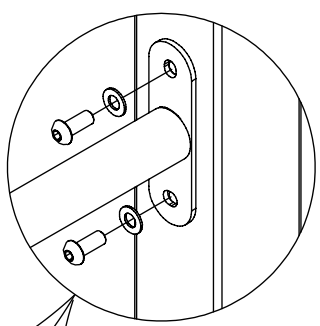
021133 2x
021134 2x

1x HDPE CE2 HPL CL2

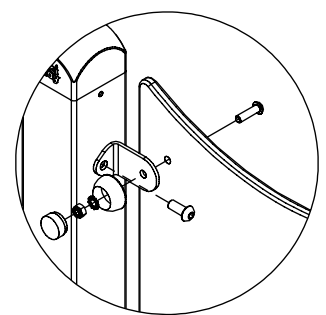
1x HDPE CE111 HPL CL111



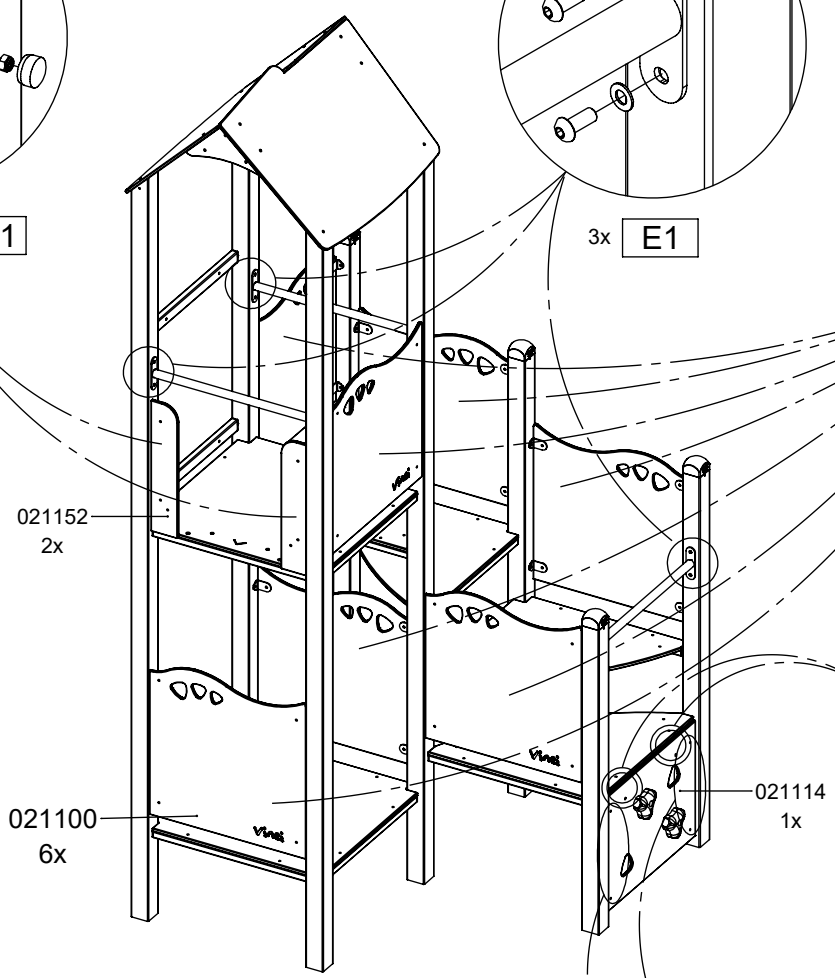
1x HDPE CE1 HPL CL1



3x E1



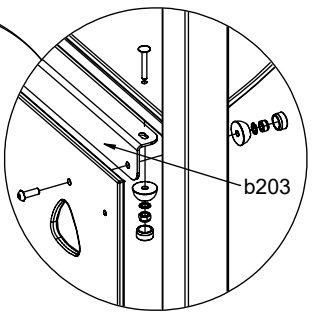
7x HDPE CE1 HPL CL1



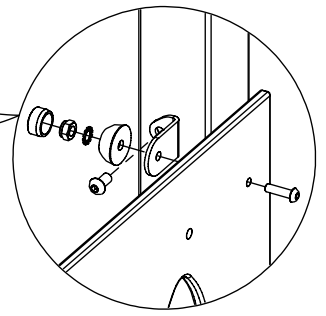
021152 2x

021100 6x

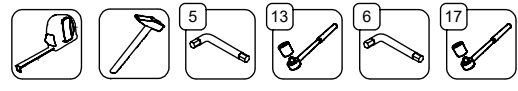
021114 1x



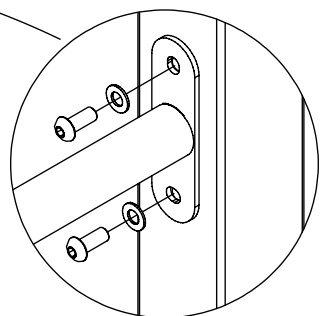
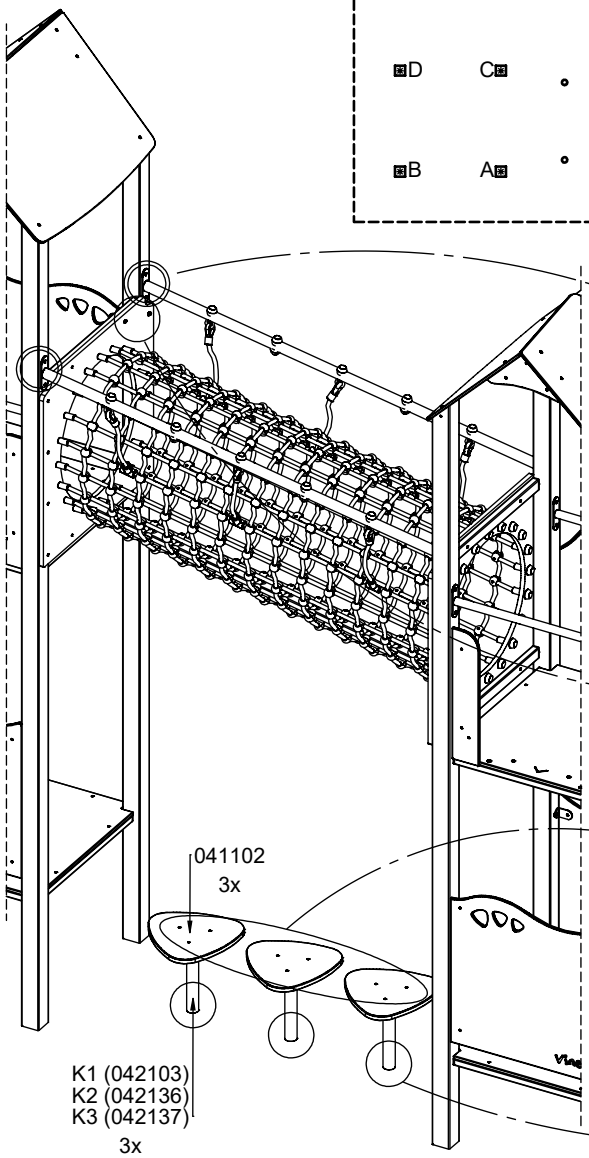
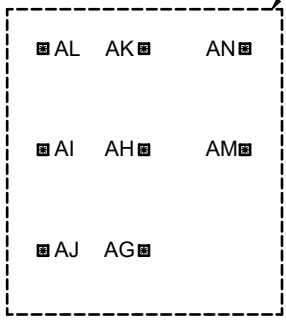
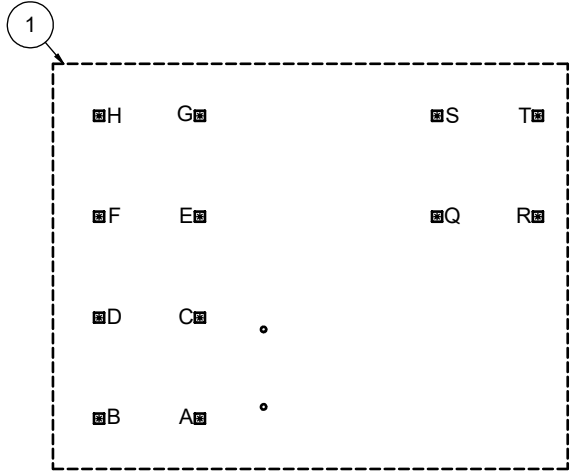
1x PLYWOOD PS23 HPL PH23



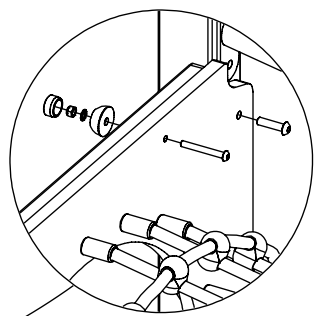
[cm]



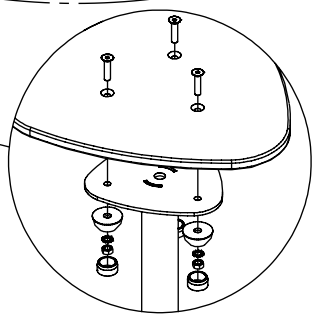
vinci play



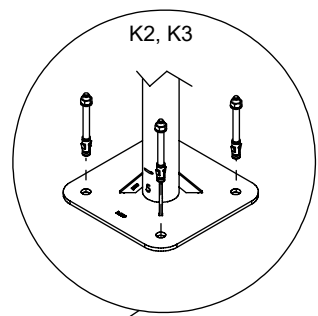
2x E1



2x HDPE CE39 HPL CL39

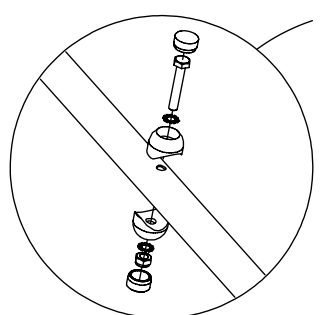


3x PLYWOOD PS50 HPL PH50

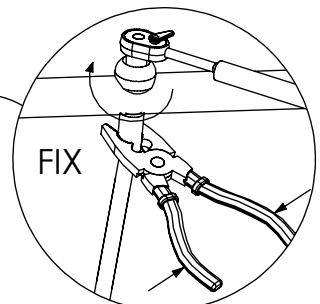
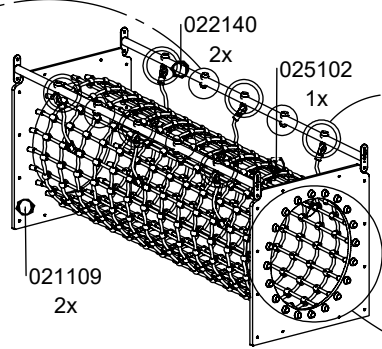


K2, K3

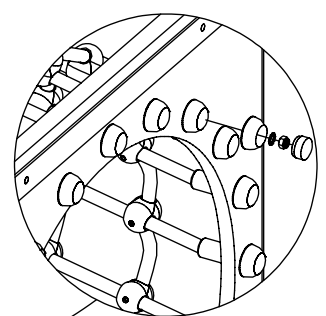
K1 (042103)
K2 (042136)
K3 (042137)
3x



1x E79

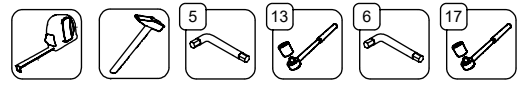


1x E56



4x E52

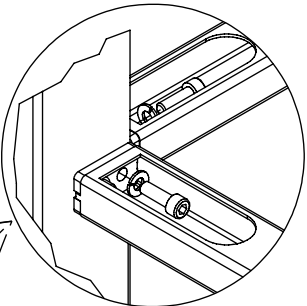
[cm]



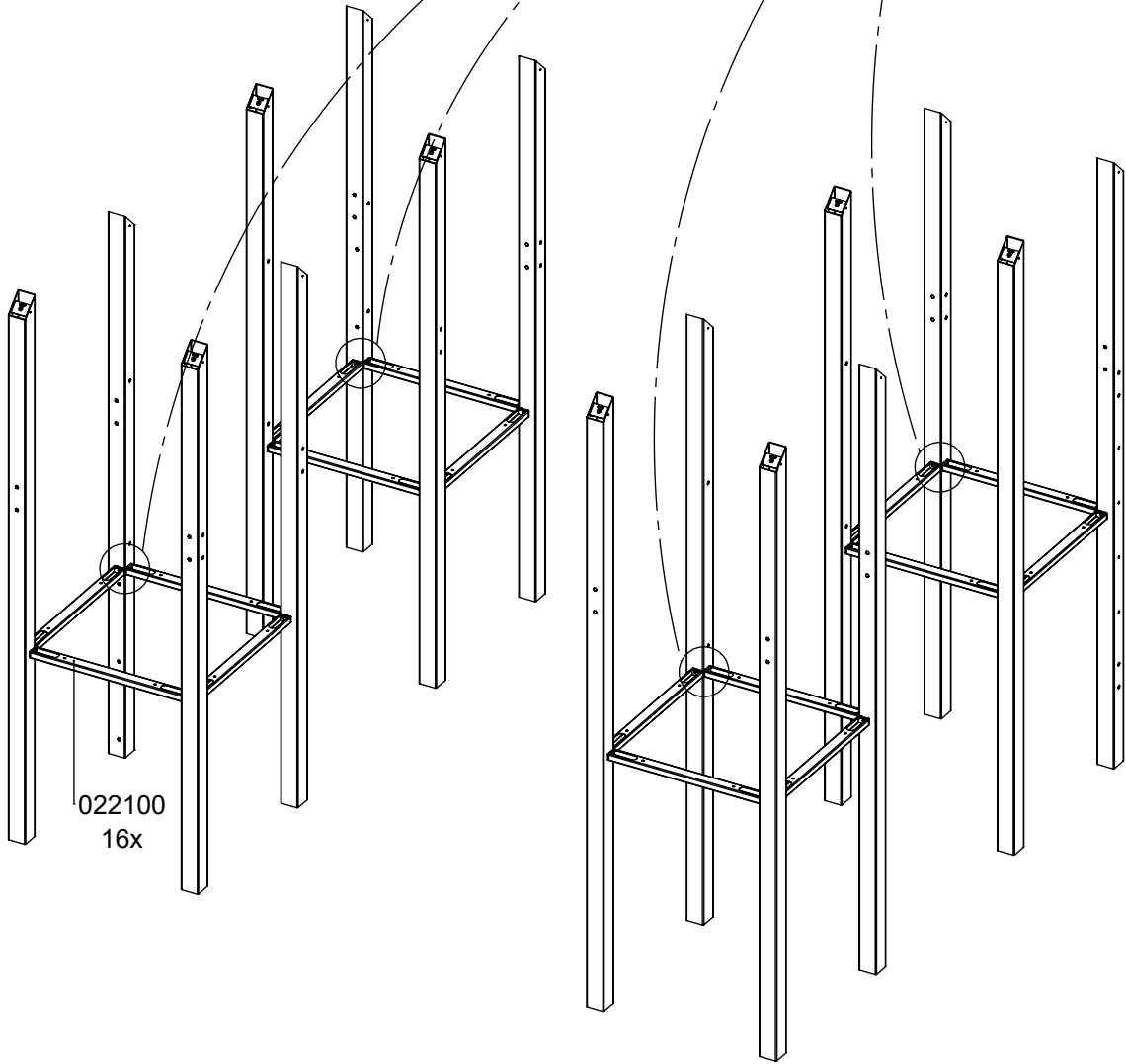
vinci play

3

| | | | |
|-----|-----|------|------|
| ▣ O | ▣ P | ▣ AA | ▣ AB |
| ▣ N | ▣ M | ▣ Y | ▣ Z |
| ▣ L | ▣ K | ▣ W | ▣ X |
| ▣ J | ▣ I | ▣ U | ▣ V |



4x E3

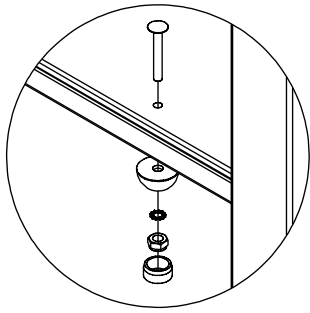


022100
16x

[cm]



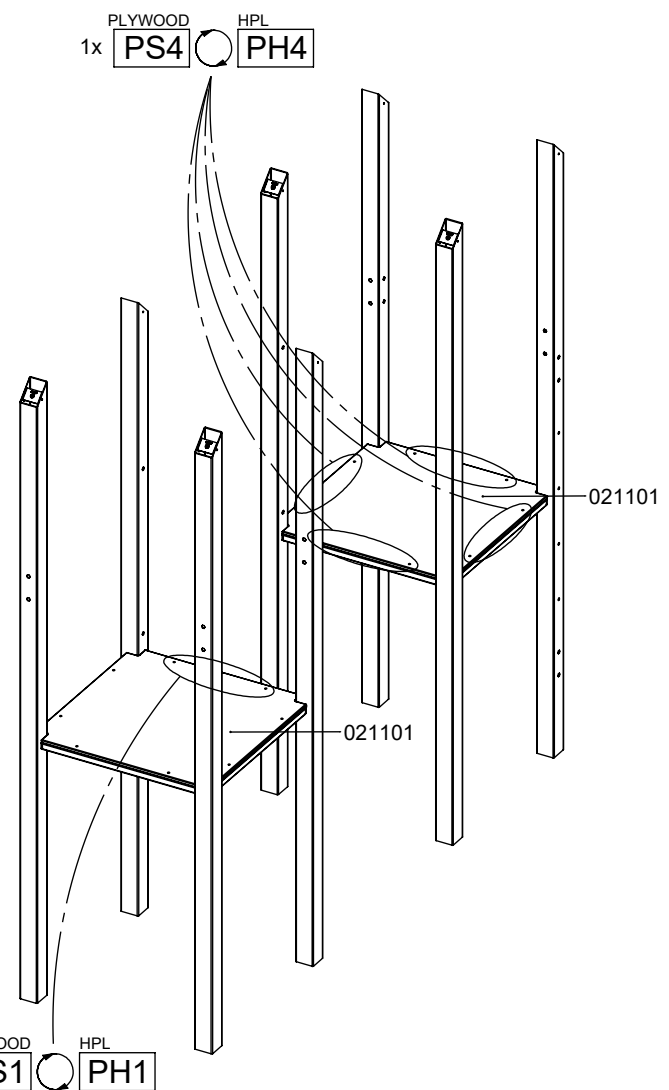
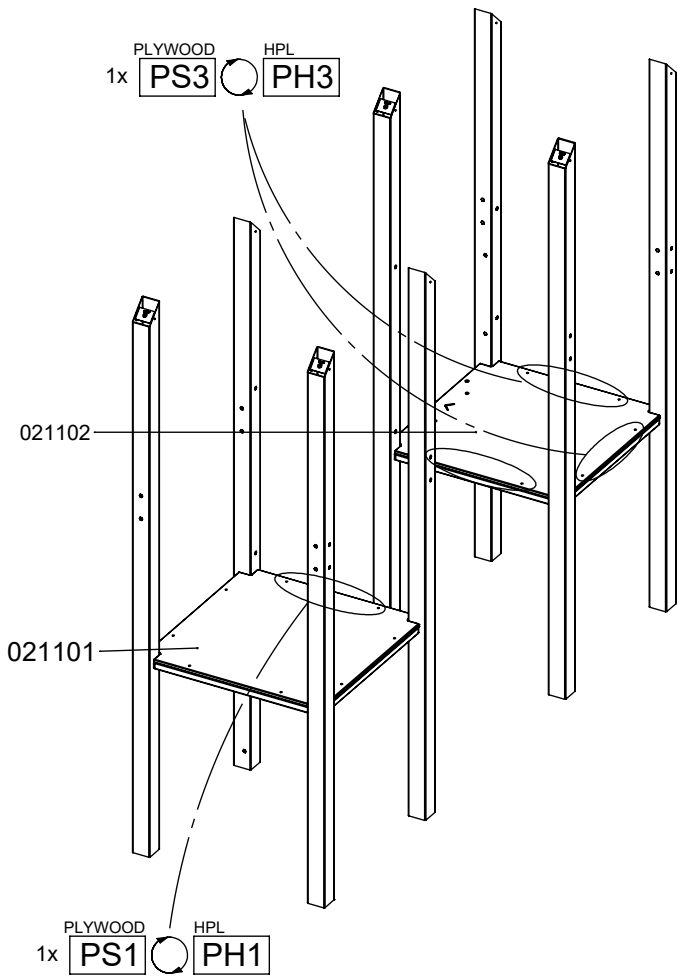
vinci
play



PLYWOOD HPL
 PS1 PH1

PLYWOOD HPL
 PS3 PH3

PLYWOOD HPL
 PS4 PH4

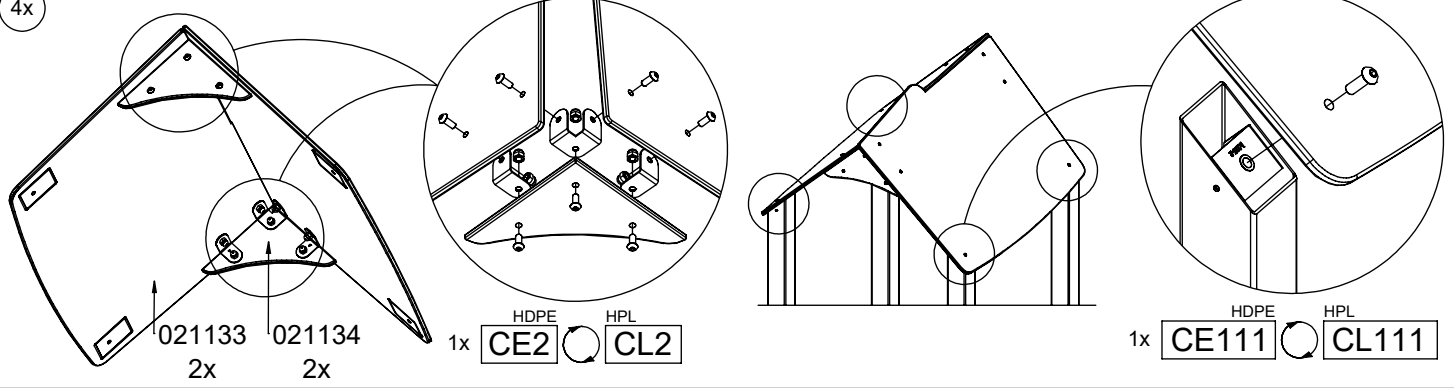


[cm]

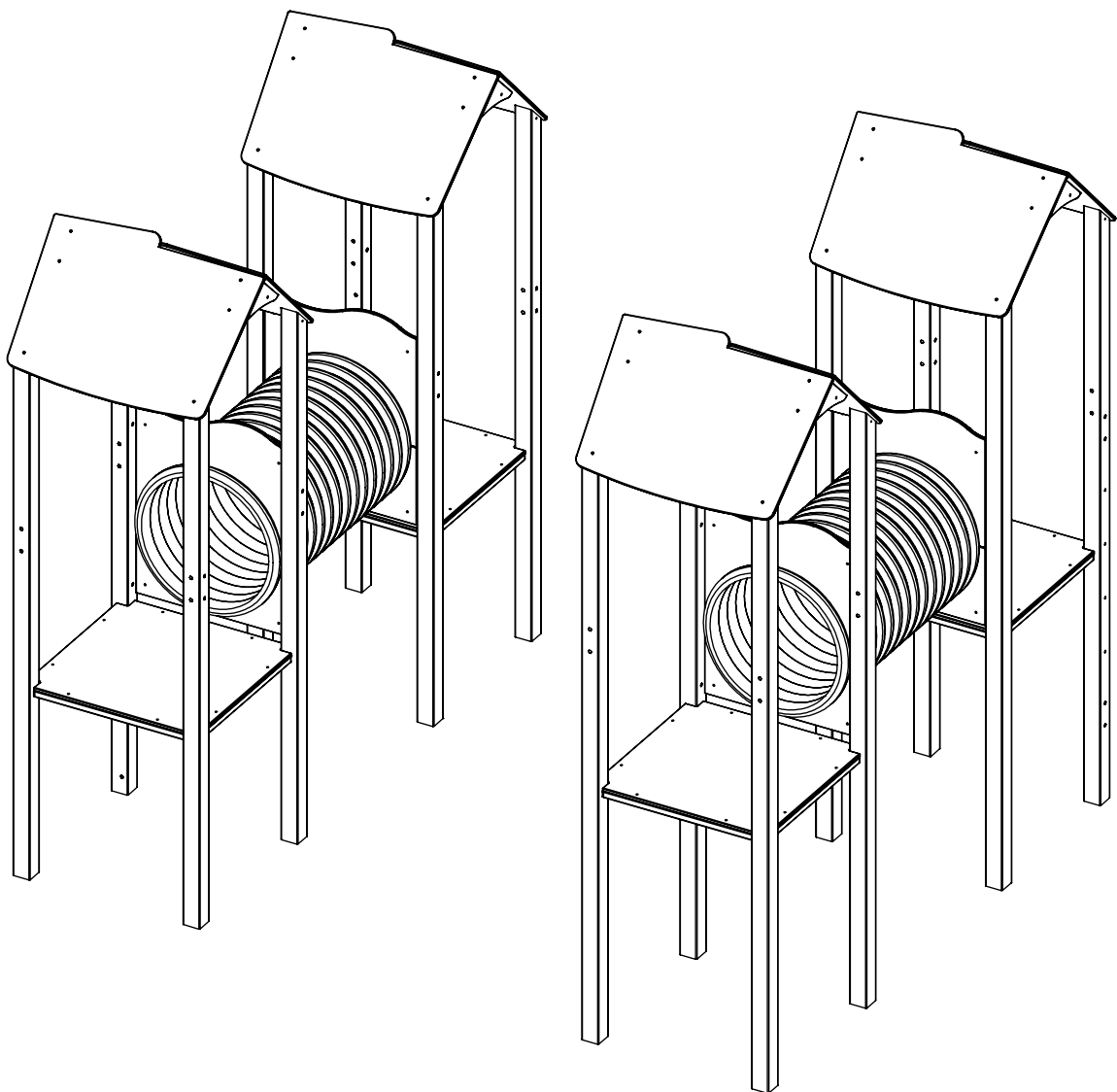
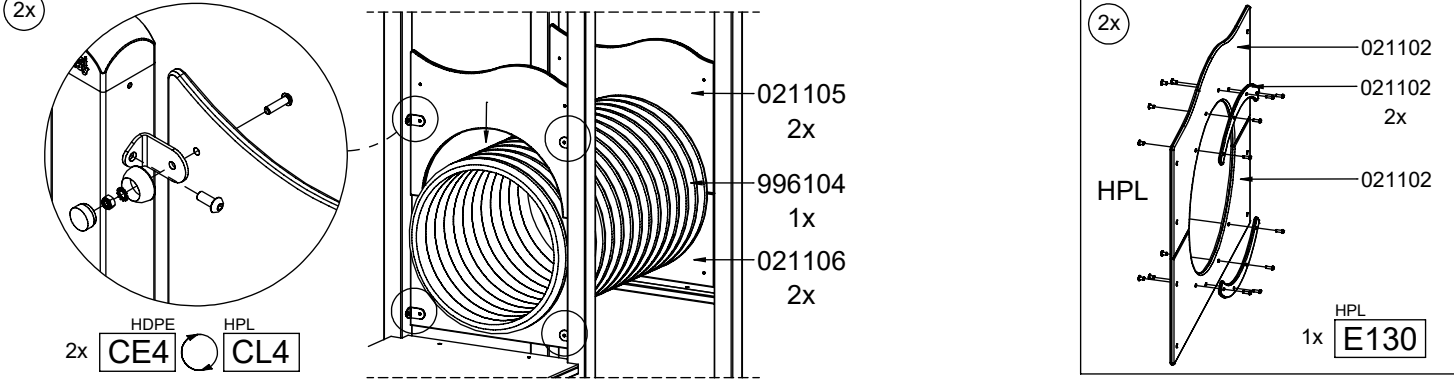


vinci
 play

4x



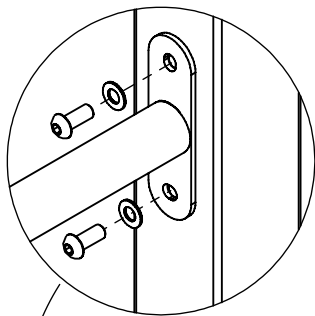
2x



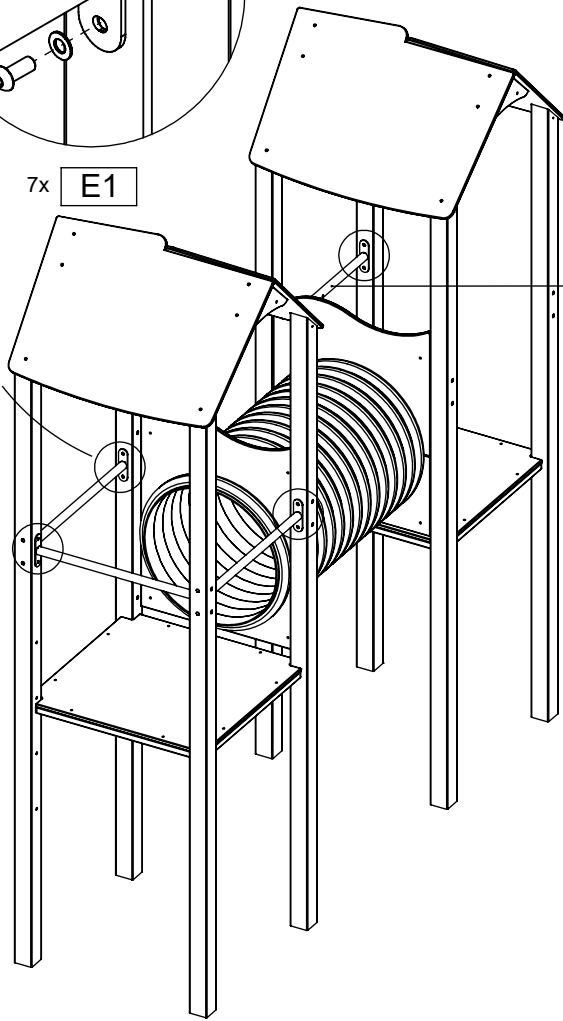
[cm]



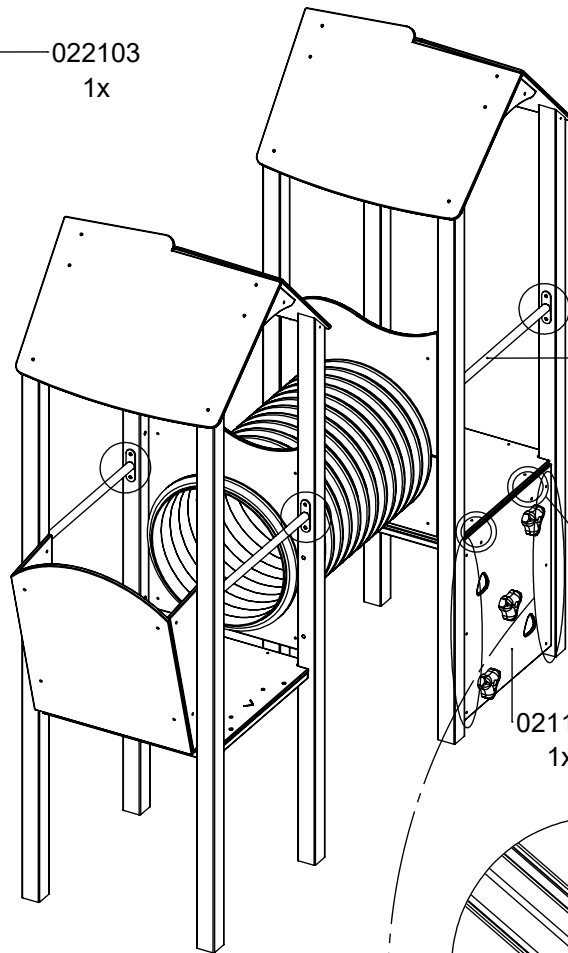
vinci play



7x **E1**

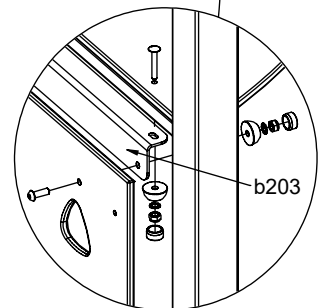


022103
1x



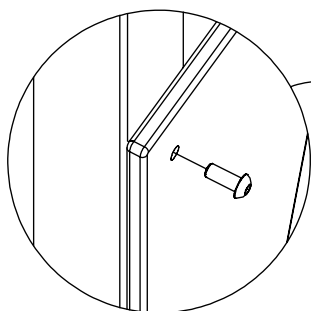
022102
6x

021115
1x

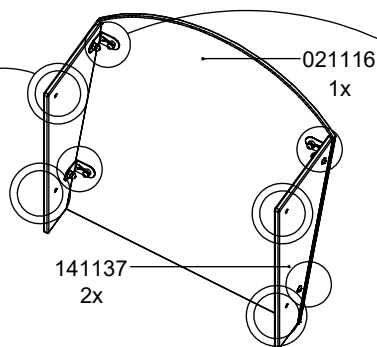


b203

PLYWOOD HPL
1x **PS24** **PH24**

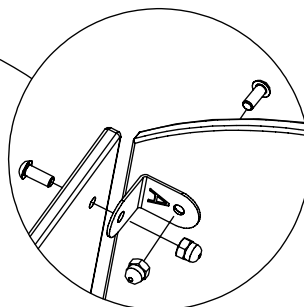


PLYWOOD HPL
1x **PS92** **PH92**

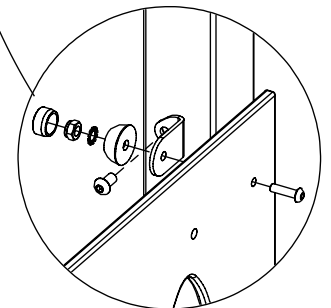


021116
1x

141137
2x



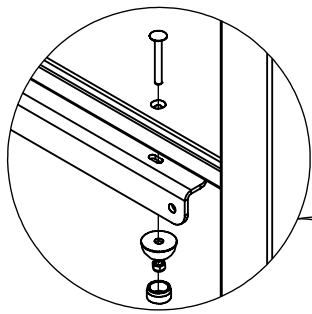
PLYWOOD HPL
1x **PS34** **PH34**



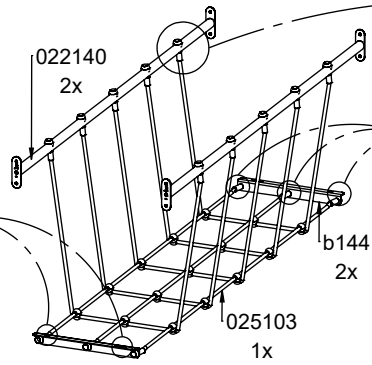
[cm]



vinci
play



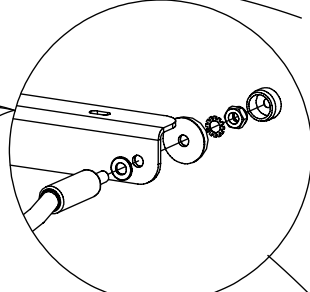
1x PLYWOOD PS31 1x HPL PH31



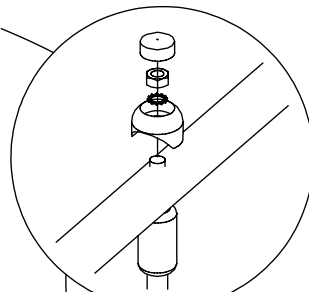
022140 2x

b144 2x

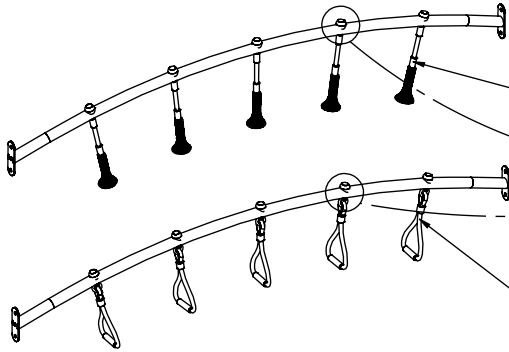
025103 1x



1x E51

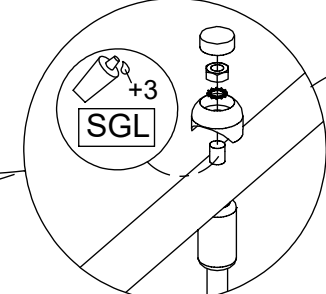


1x E28



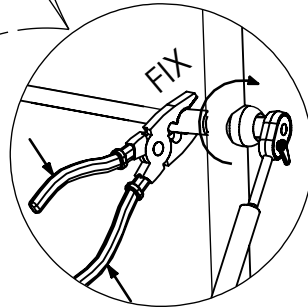
995131 5x

995132 5x

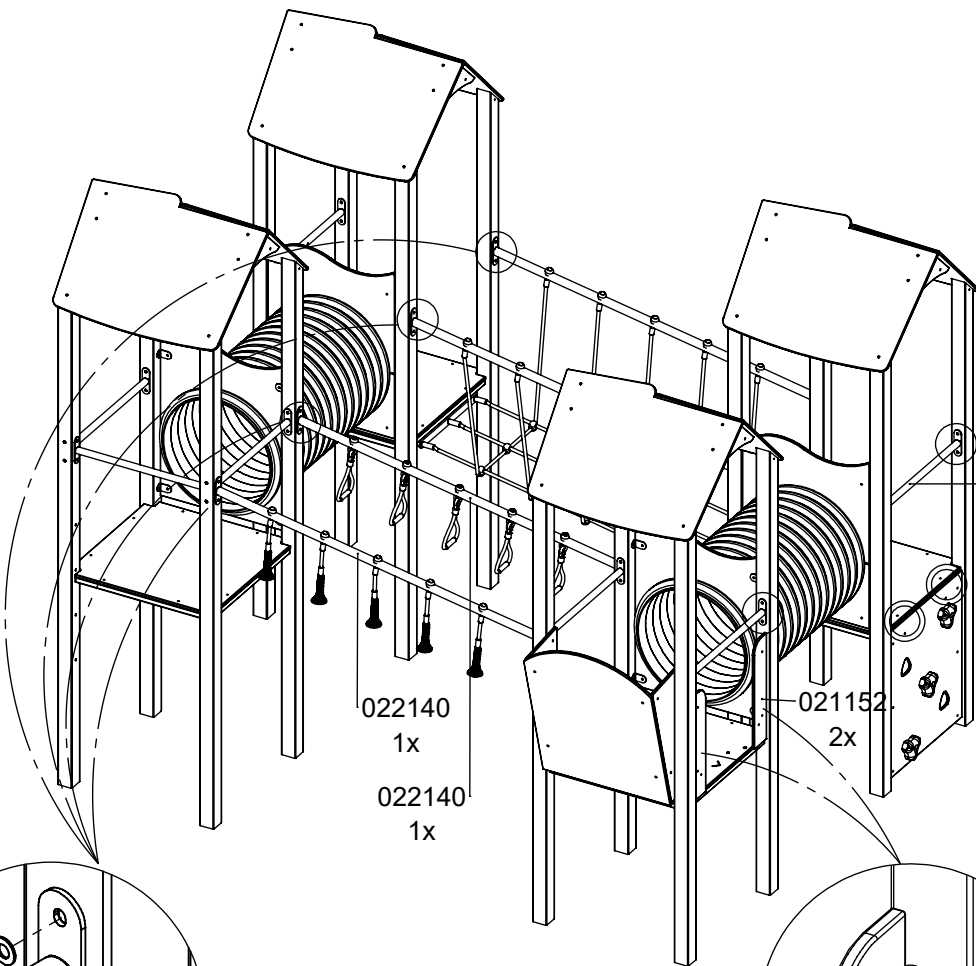


+3 SGL

1x E1



FIX

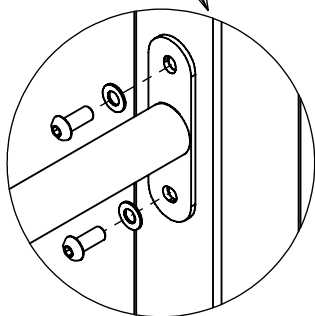


022102 6x

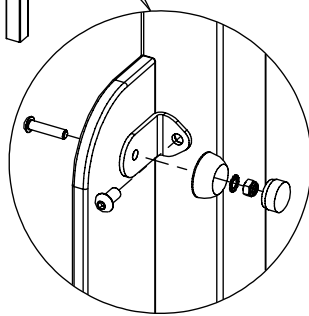
022140 1x

022140 1x

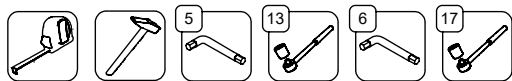
021152 2x



4x E1

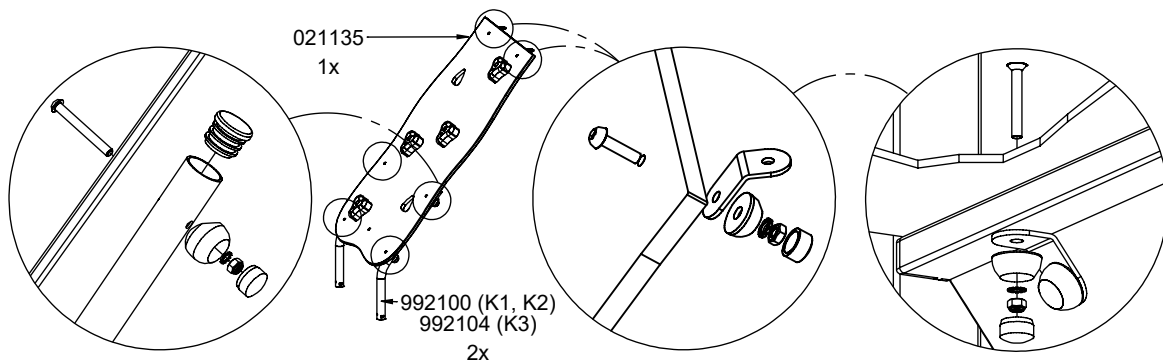


1x HDPE CE1 1x HPL CL1

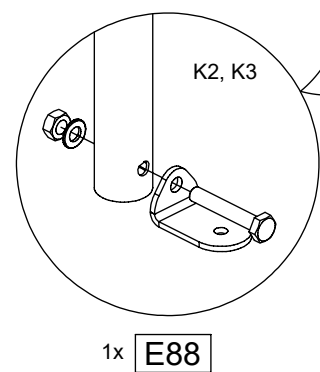
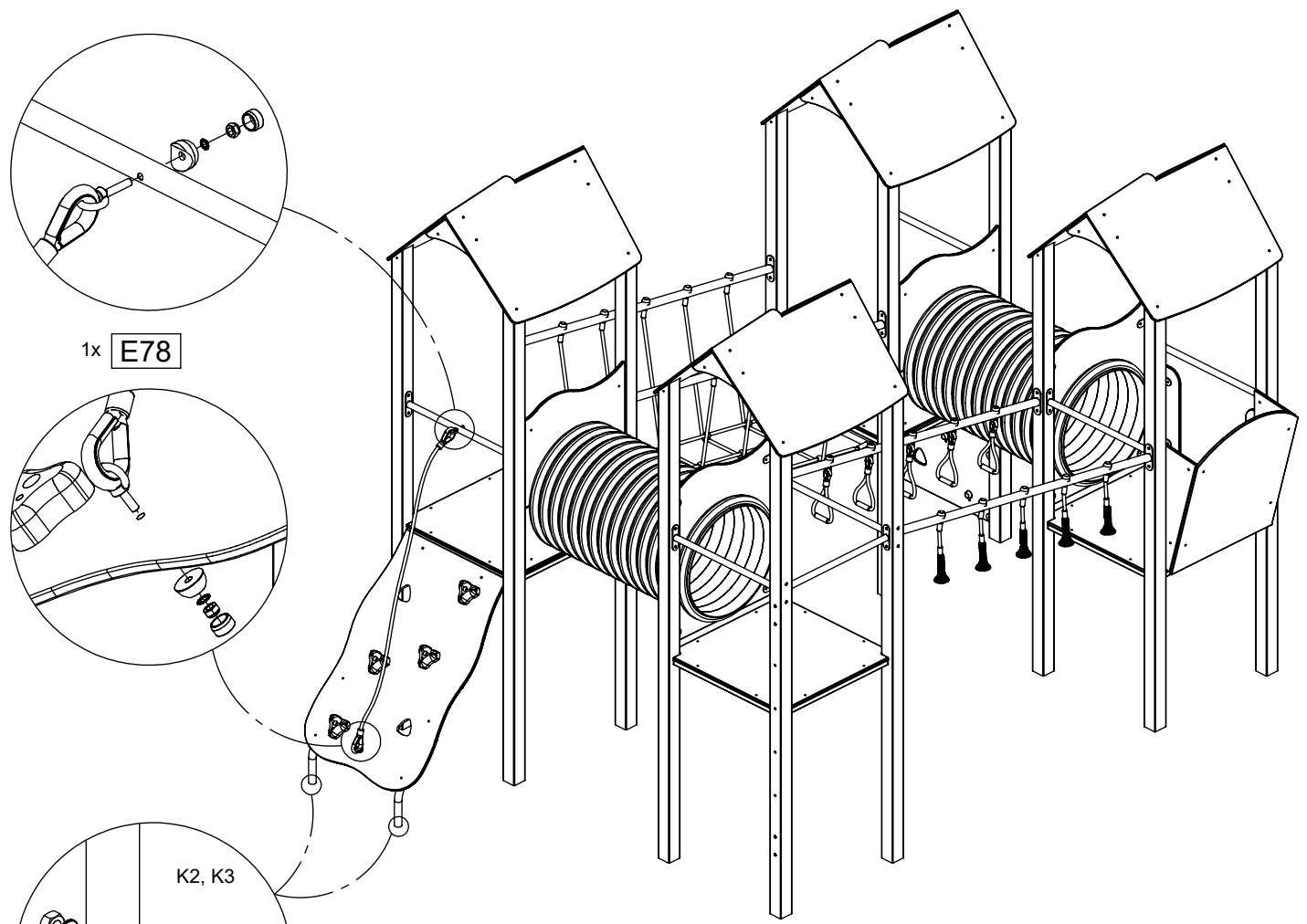


[cm]

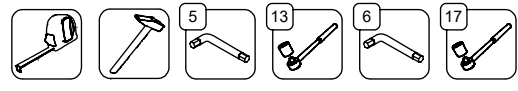
vinci play



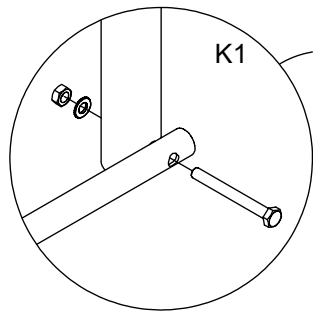
PLYWOOD PS21 HPL PH21



[cm]

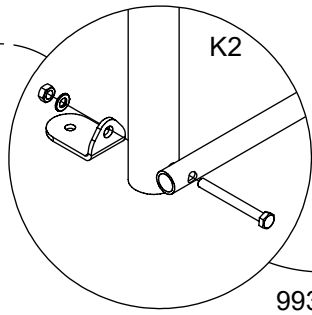


vinci play



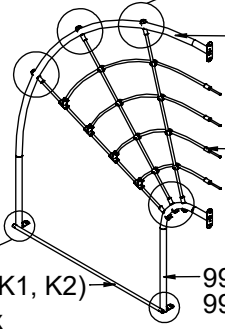
K1

1x **E40**



K2

1x **E175**

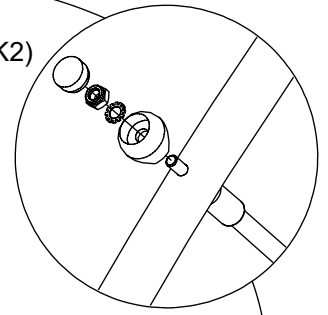


992108 (K1, K2)
992136 (K3)
1x

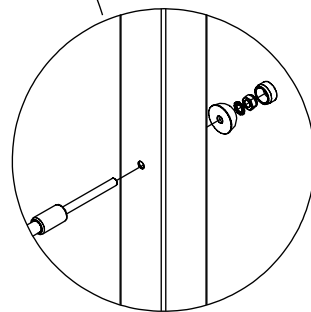
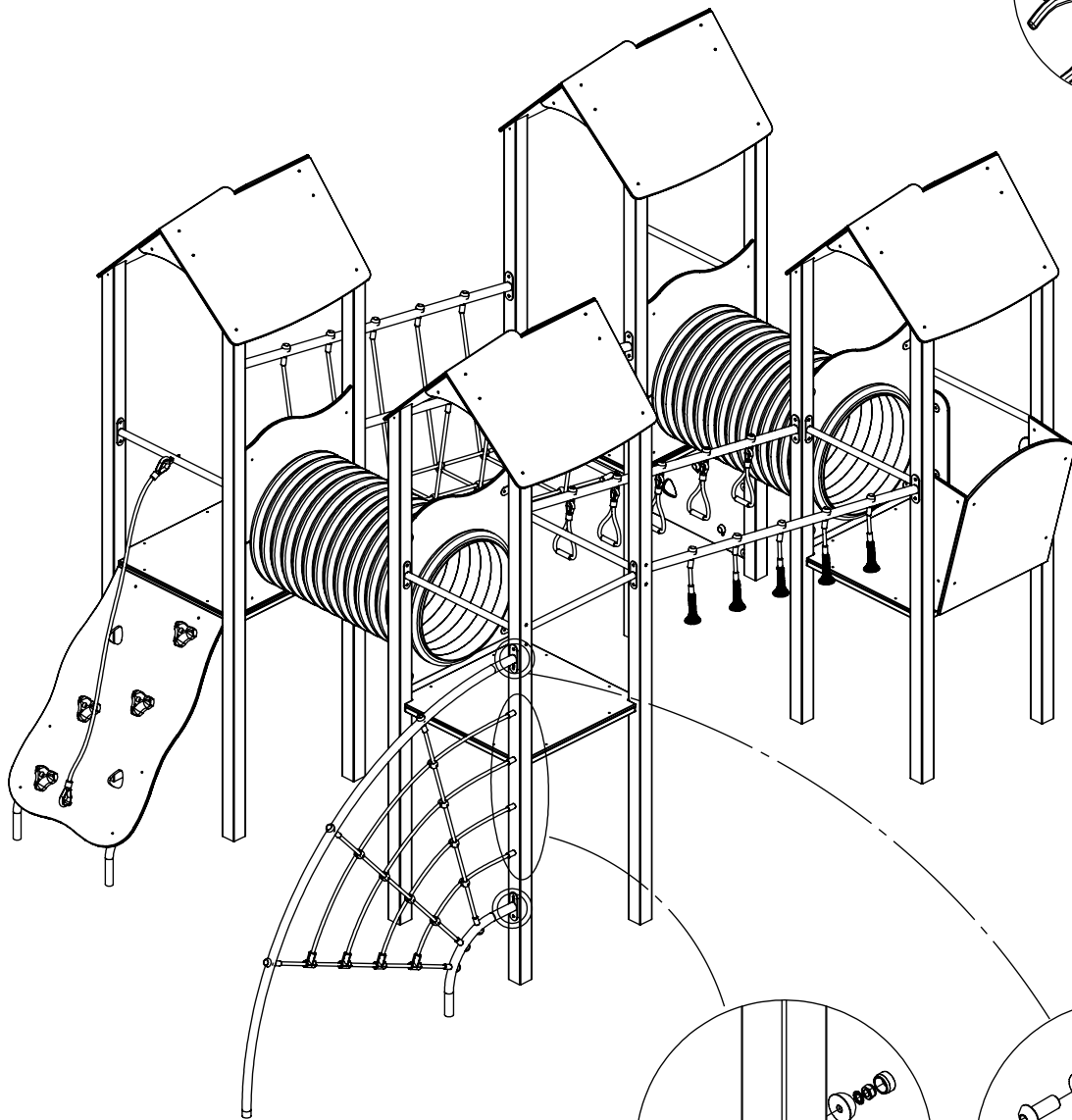
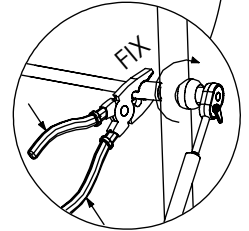
995104
1x

993118 (K1, K2)
1x

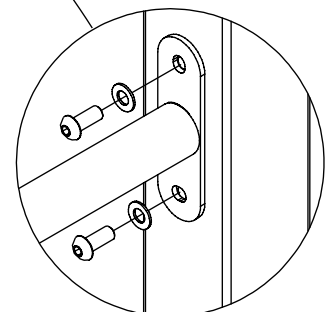
992107 (K1, K2)
992135 (K3)
1x



1x **E85**



1x **E48**









1x **E1**

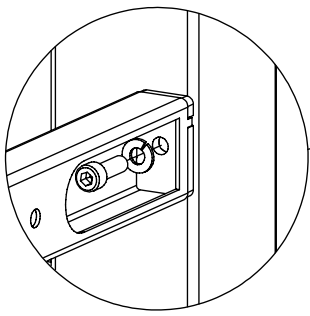
[cm]



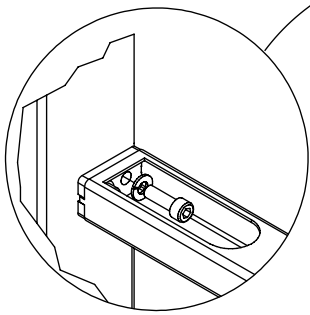
vinci
play

4

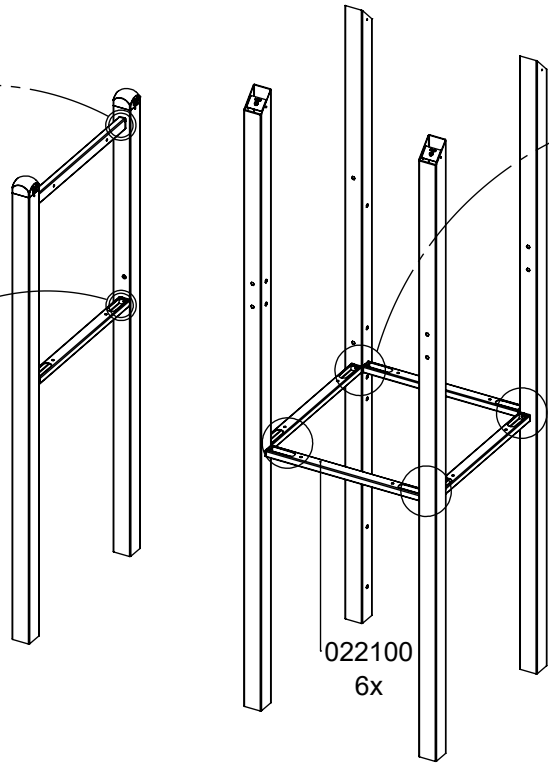
-  DB  AF  AE
-  DA  AC  AD



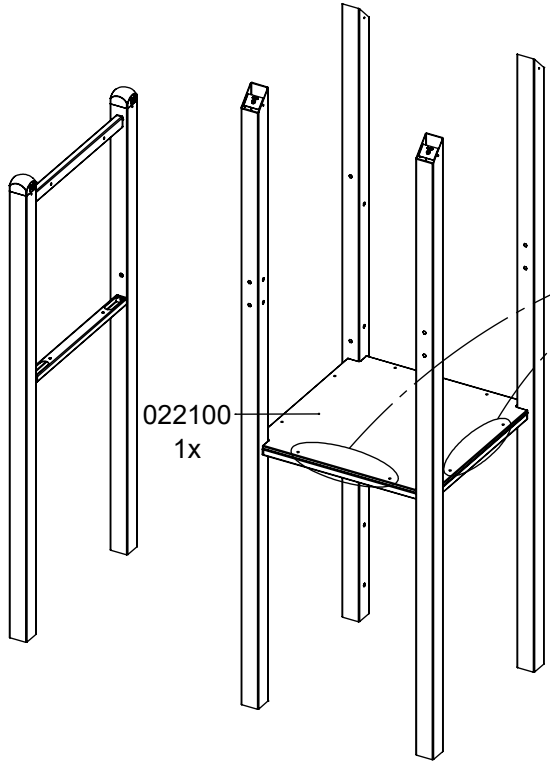
1x **E42**



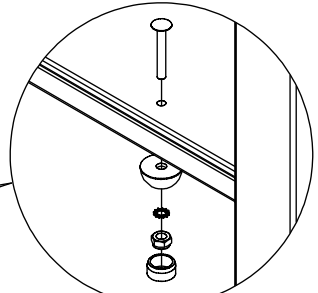
1x **E3**



022100
6x

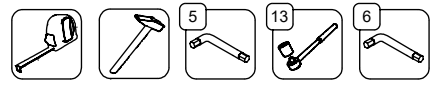


022100
1x



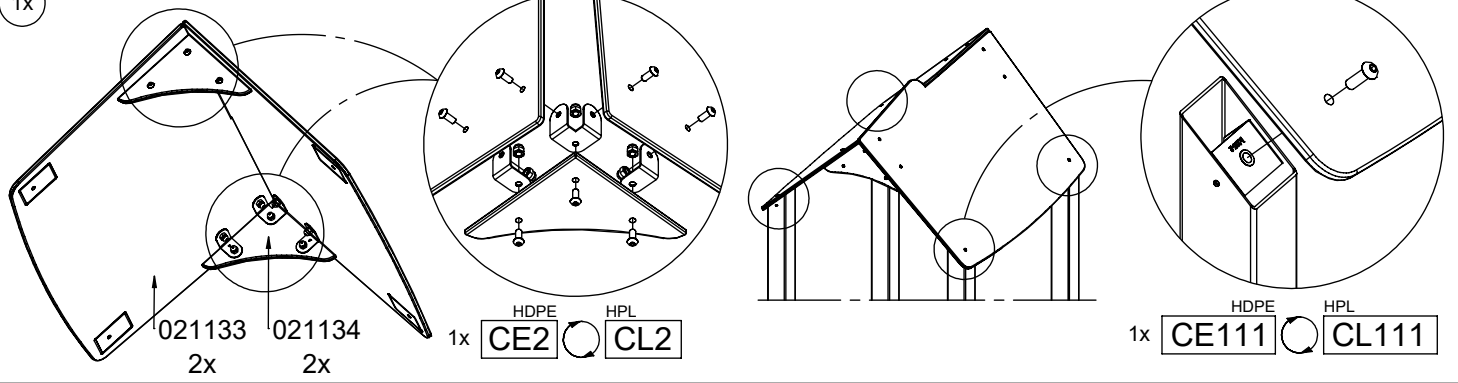
PLYWOOD HPL
1x **PS2** **PH2**

[cm]



vinci
play

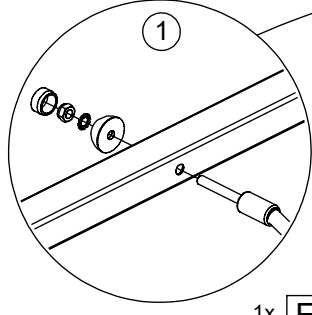
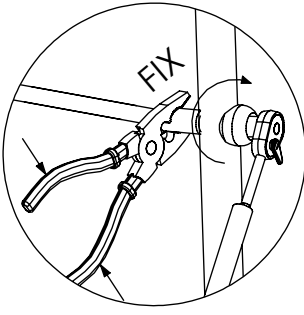
1x



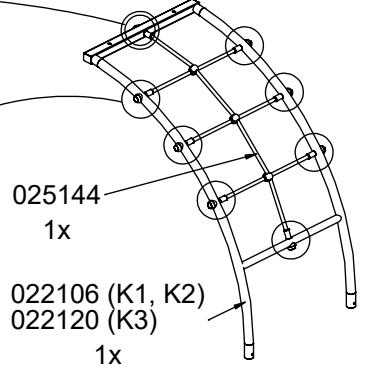
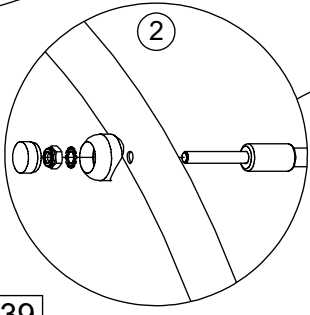
021133 2x
021134 2x

1x HDPE CE2 HPL CL2

1x HDPE CE111 HPL CL111

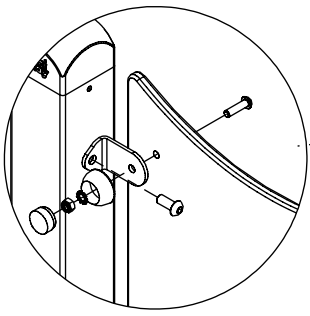


1x E239

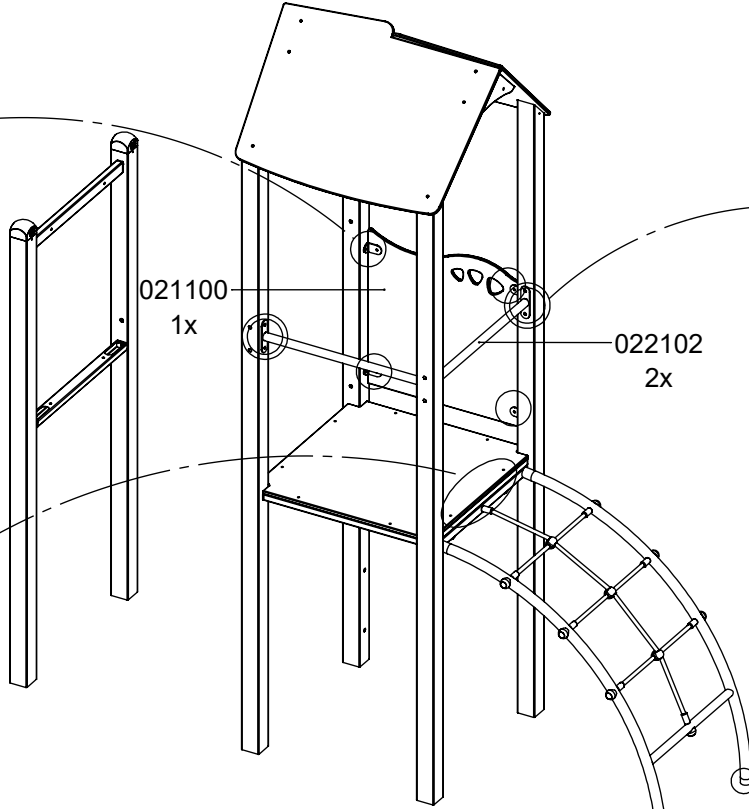


025144 1x

022106 (K1, K2)
022120 (K3) 1x

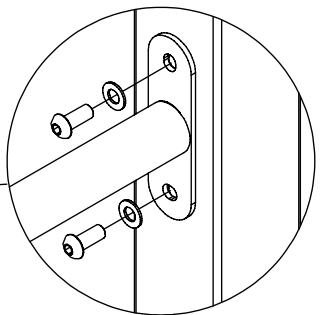


1x HDPE CE1 HPL CL1

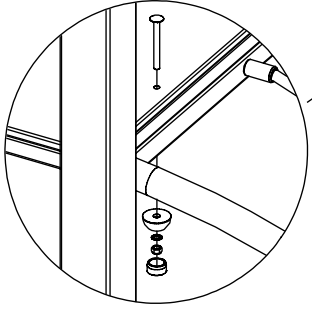


021100 1x

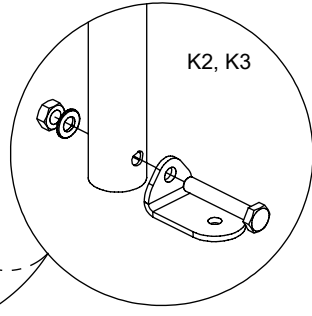
022102 2x



2x E1

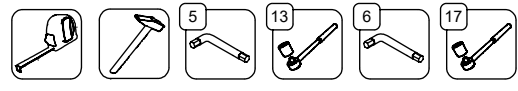


1x PLYWOOD E4 HPL E5

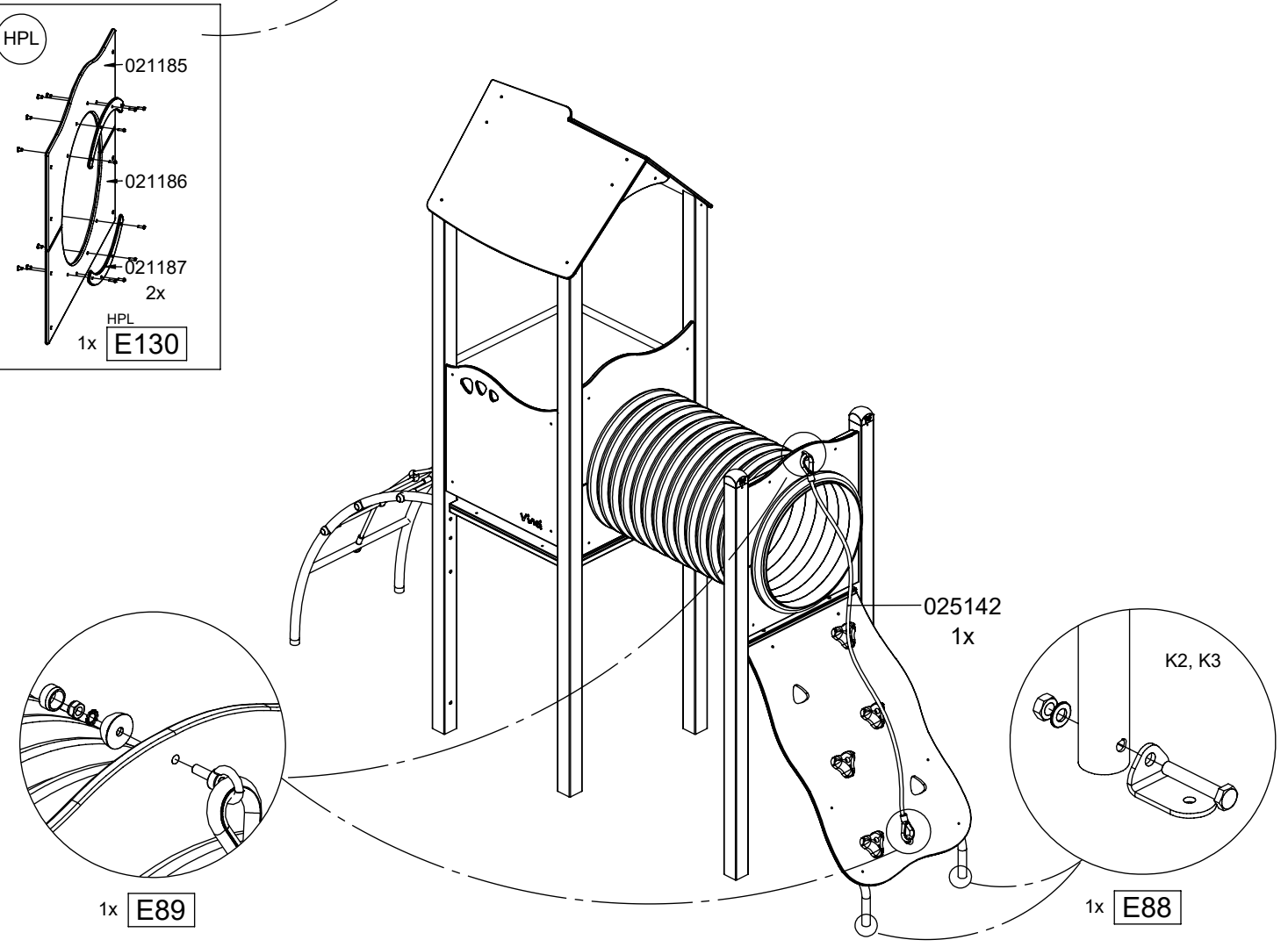
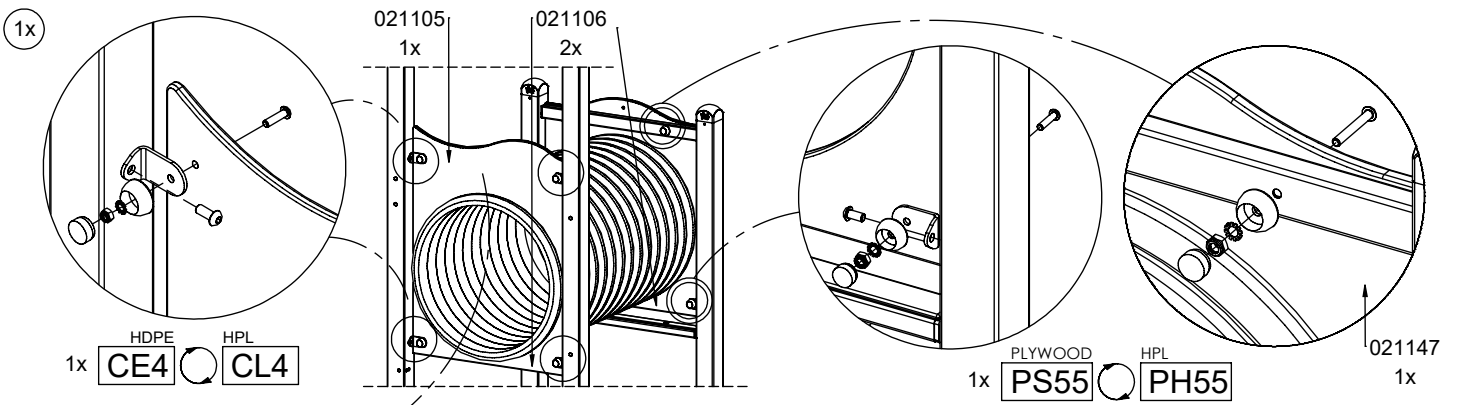
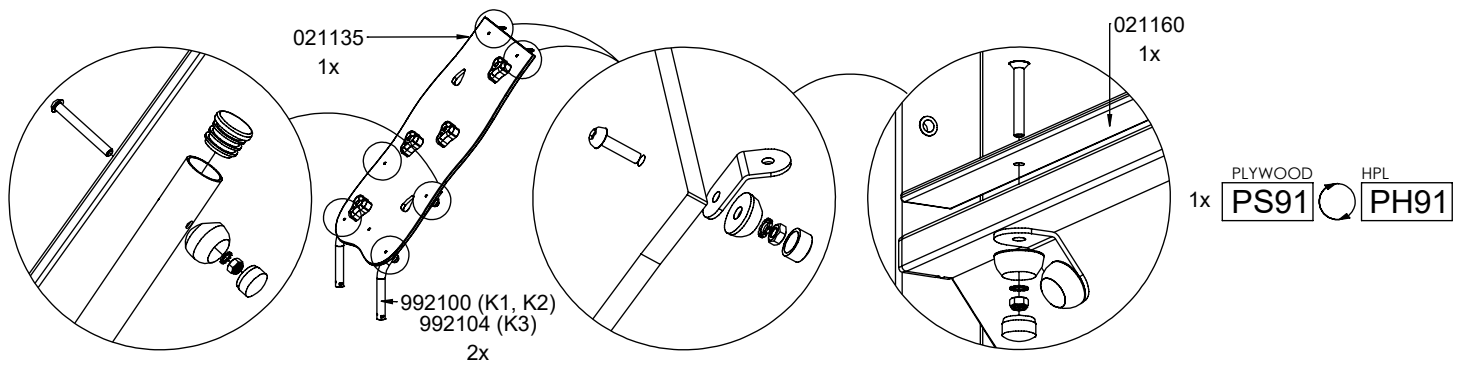


1x K2, K3 E88

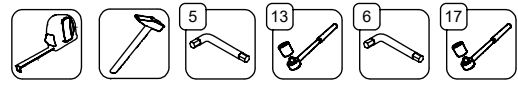
[cm]



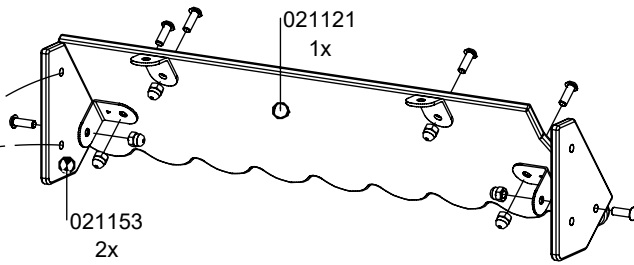
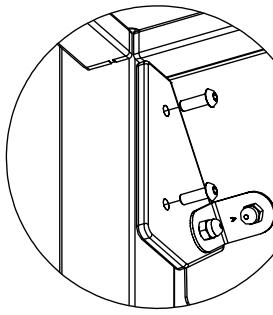
vinci play



[cm]



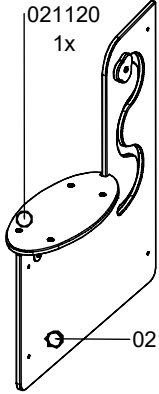
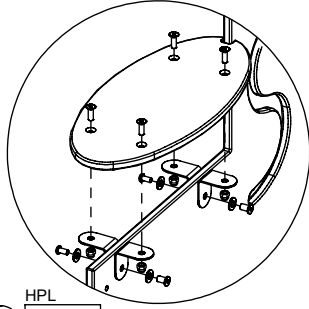
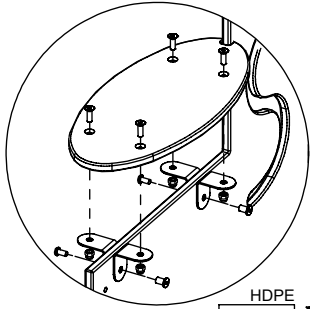
vinci
play



021153
2x

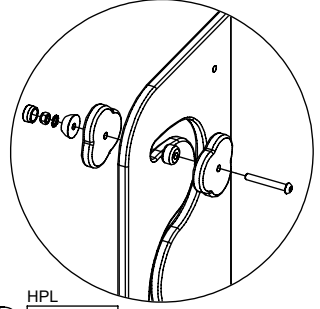
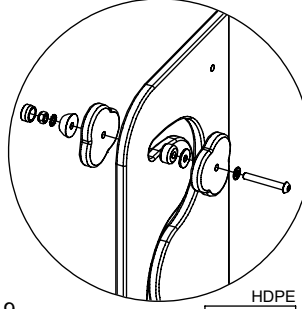
021121
1x

1x HDPE **CE5** HPL **CL5**



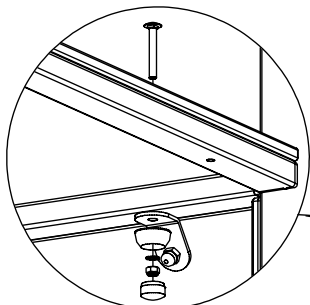
021120
1x

1x HDPE **CE6** HPL **CL6**

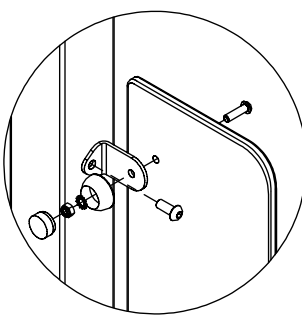
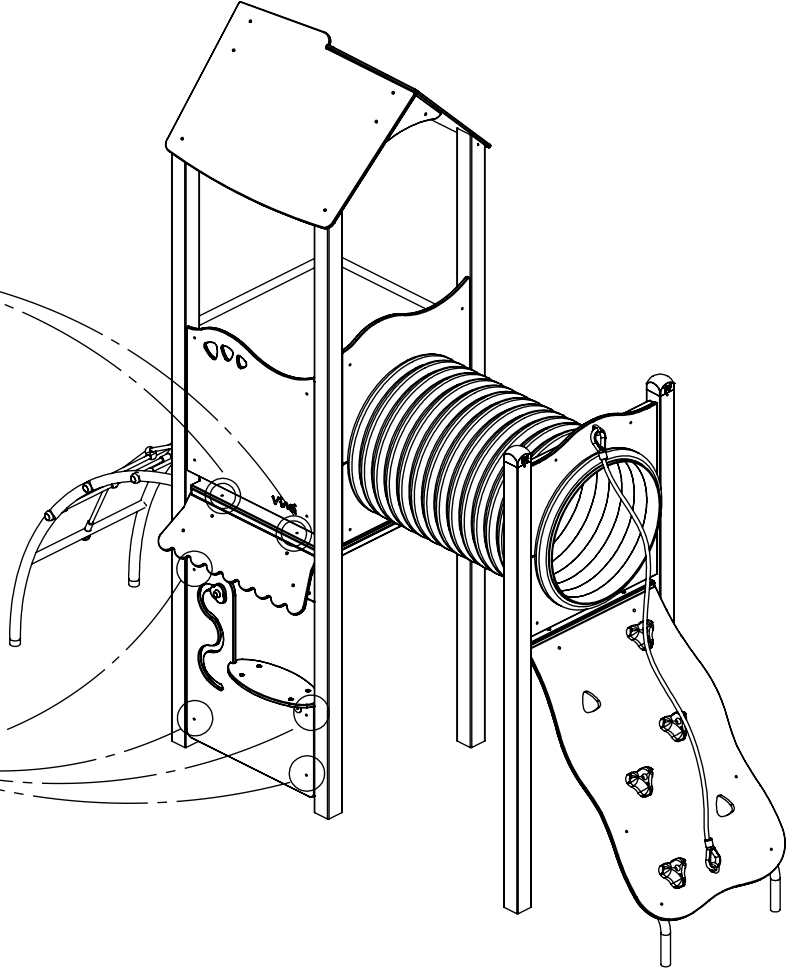


021119
1x

1x HDPE **CE40** HPL **CL40**

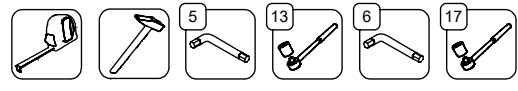


1x PLYWOOD **PS93** HPL **PH93**



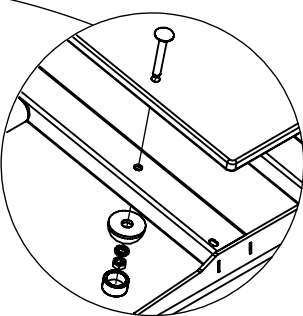
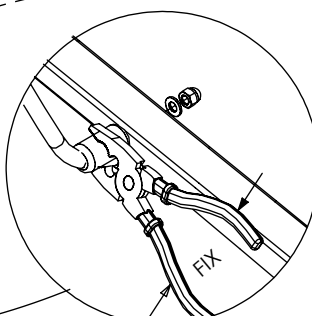
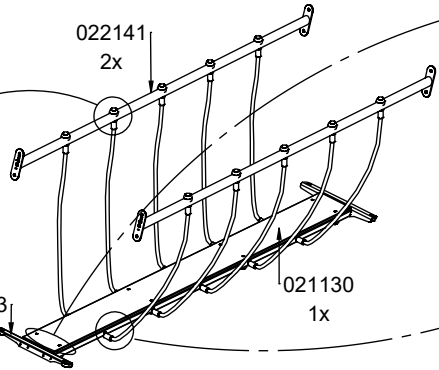
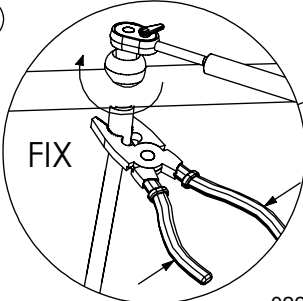
1x HDPE **CE4** HPL **CL4**

[cm]



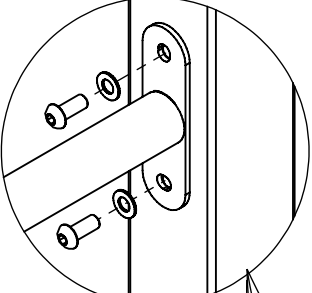
vinci
play

2x

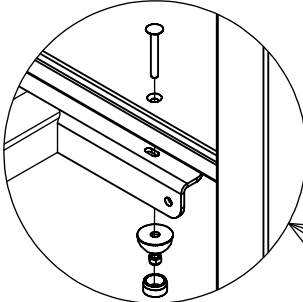


1x E28

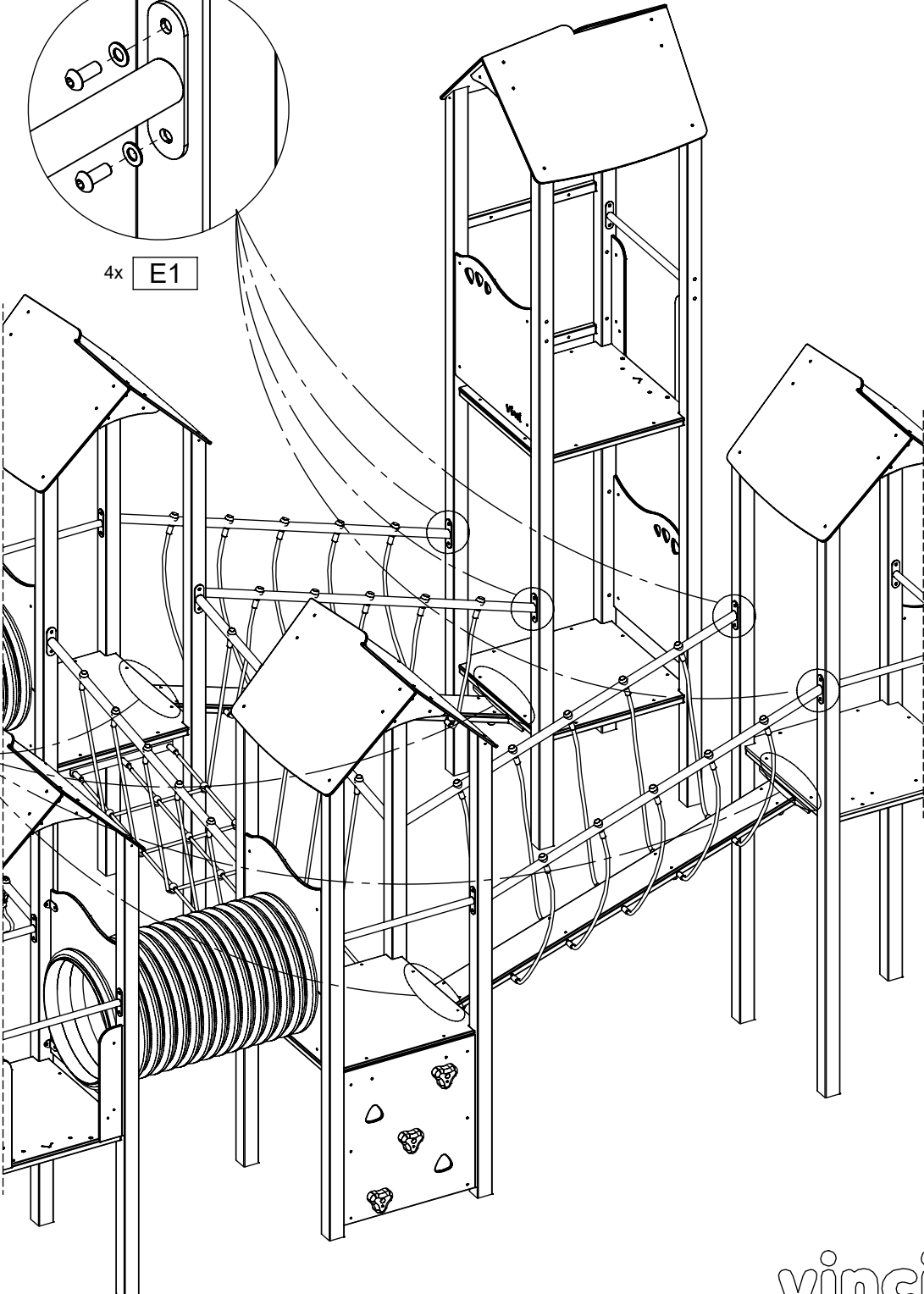
PLYWOOD PS22 HPL PH22



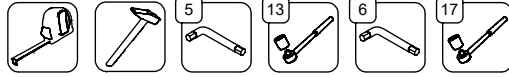
4x E1



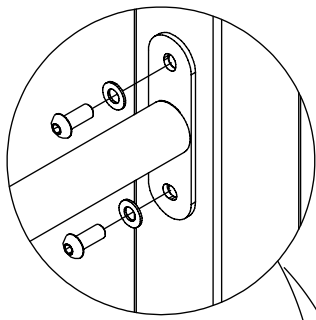
PLYWOOD PS31 HPL PH31



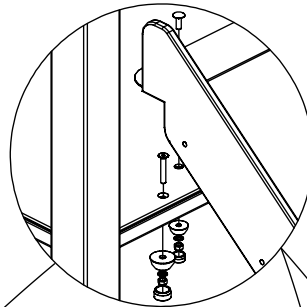
[cm]



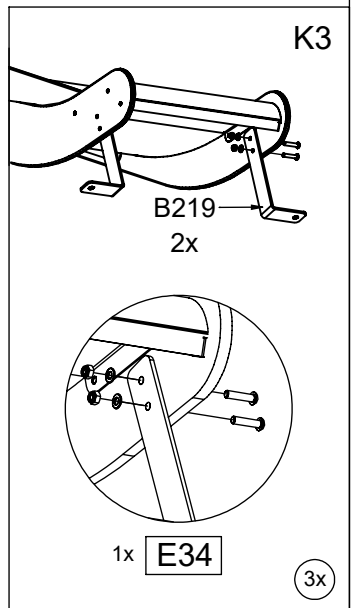
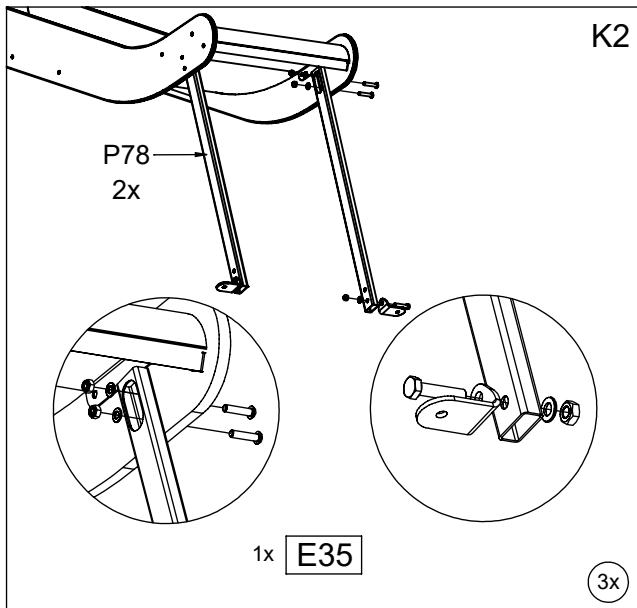
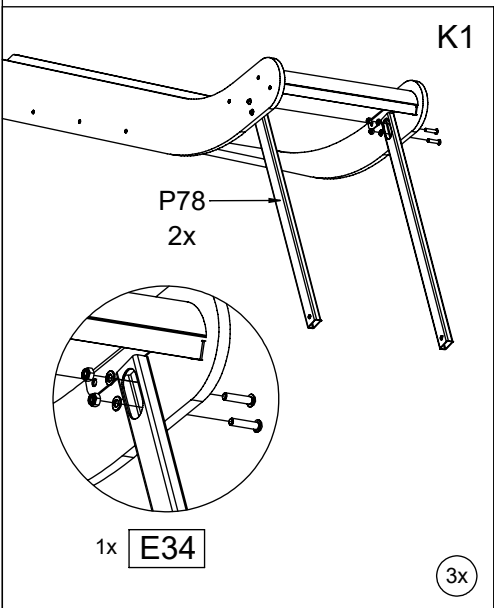
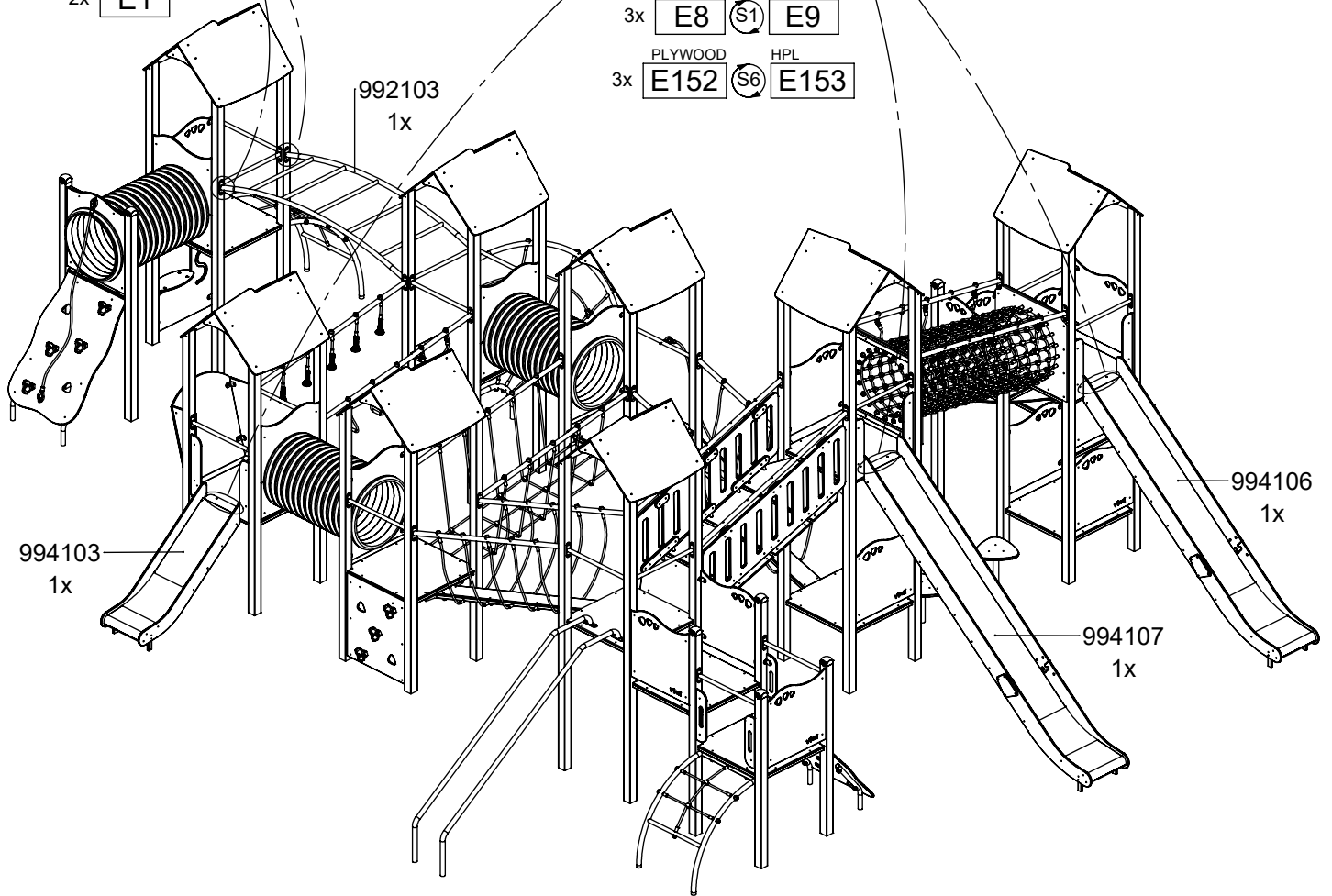
vinci play



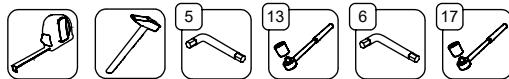
2x **E1**



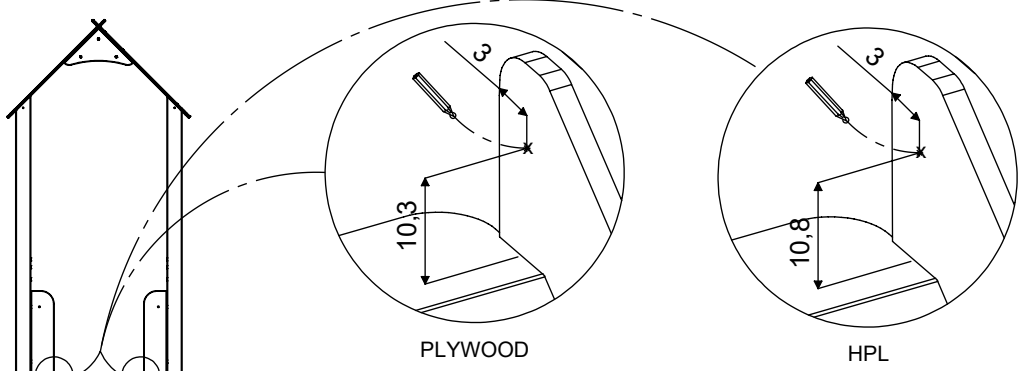
PLYWOOD 3x **E8** (S1) HPL **E9**
 PLYWOOD 3x **E152** (S6) HPL **E153**



[cm]

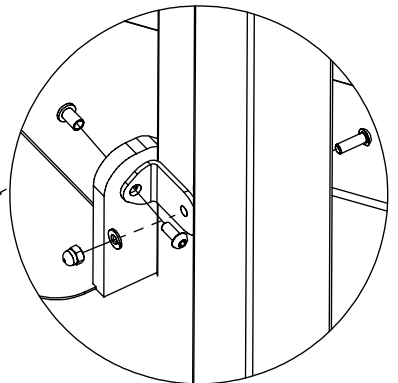
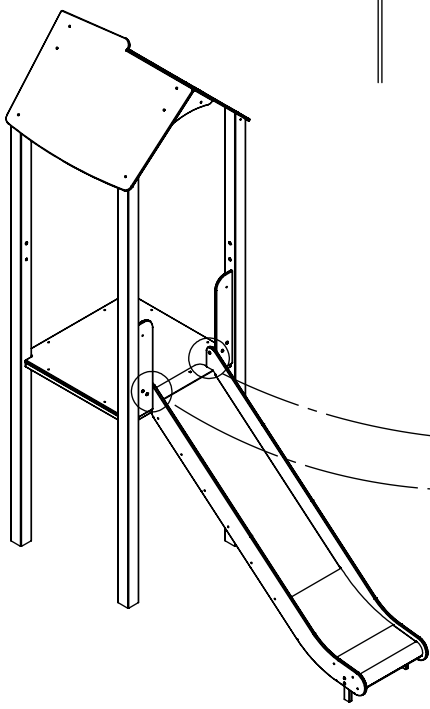
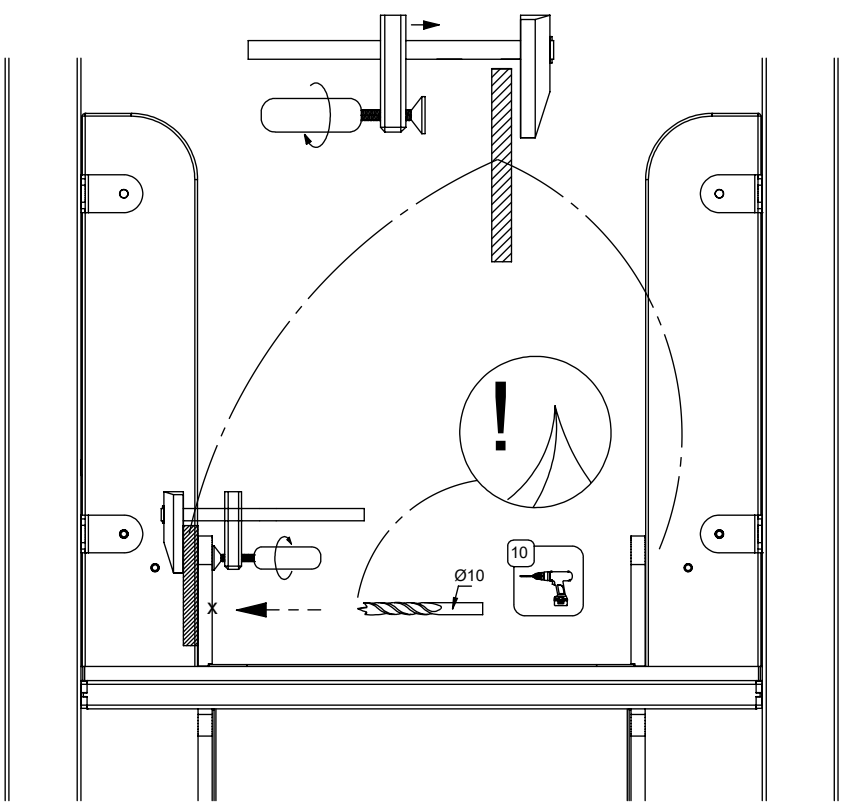


vinci
play



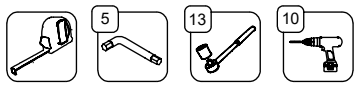
PLYWOOD

HPL

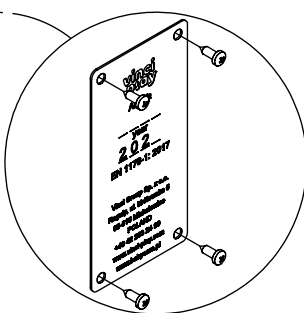
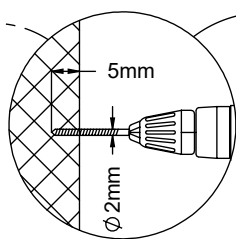
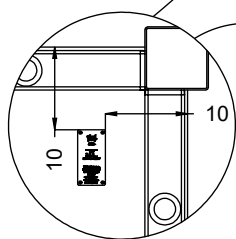
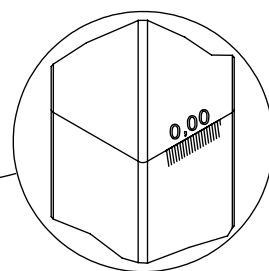
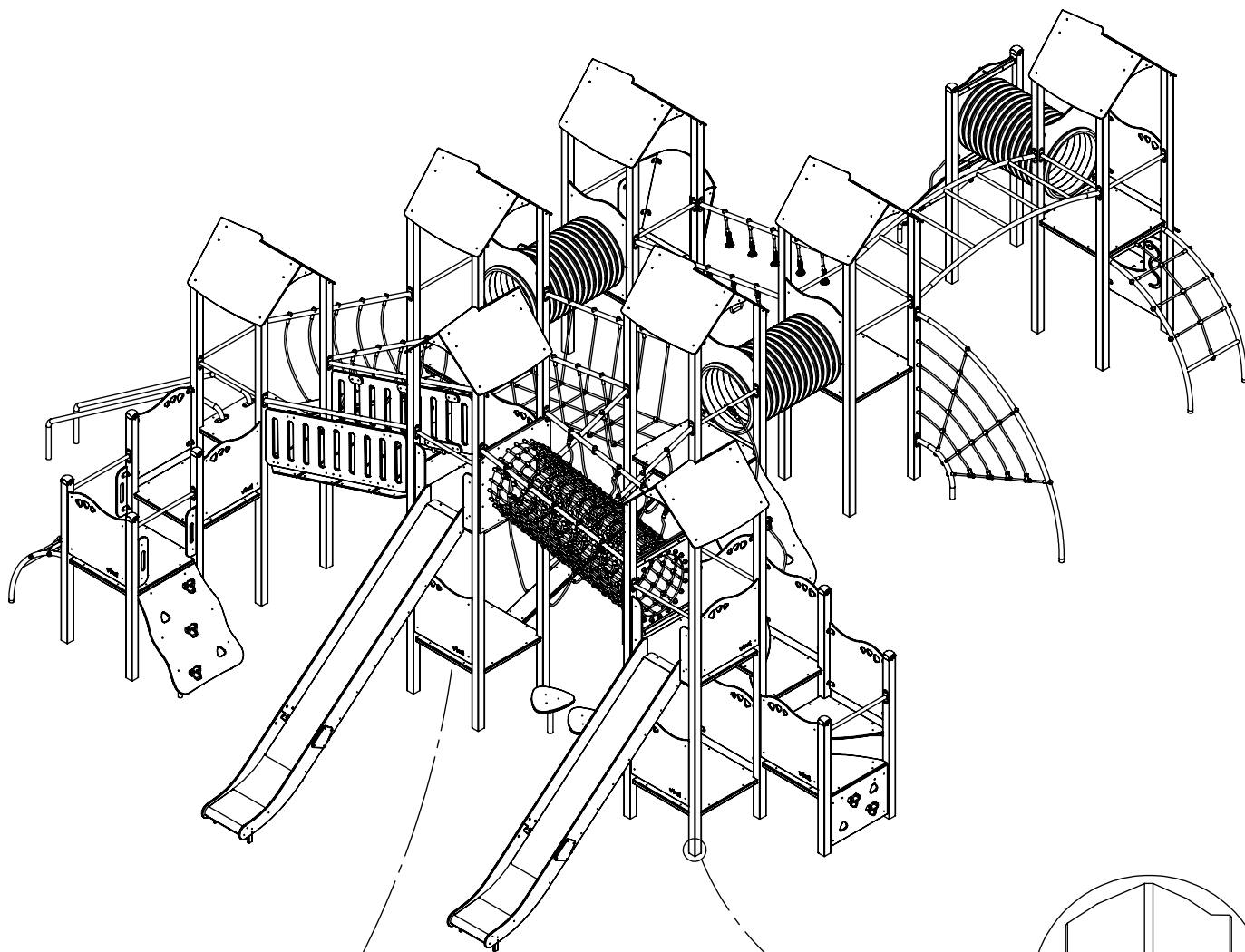


1x

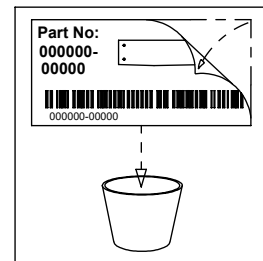
| | |
|------|------|
| HDPE | HPL |
| CE31 | CL31 |



[cm]



V001



[cm]



vinci
play



vinci
play

[cm]