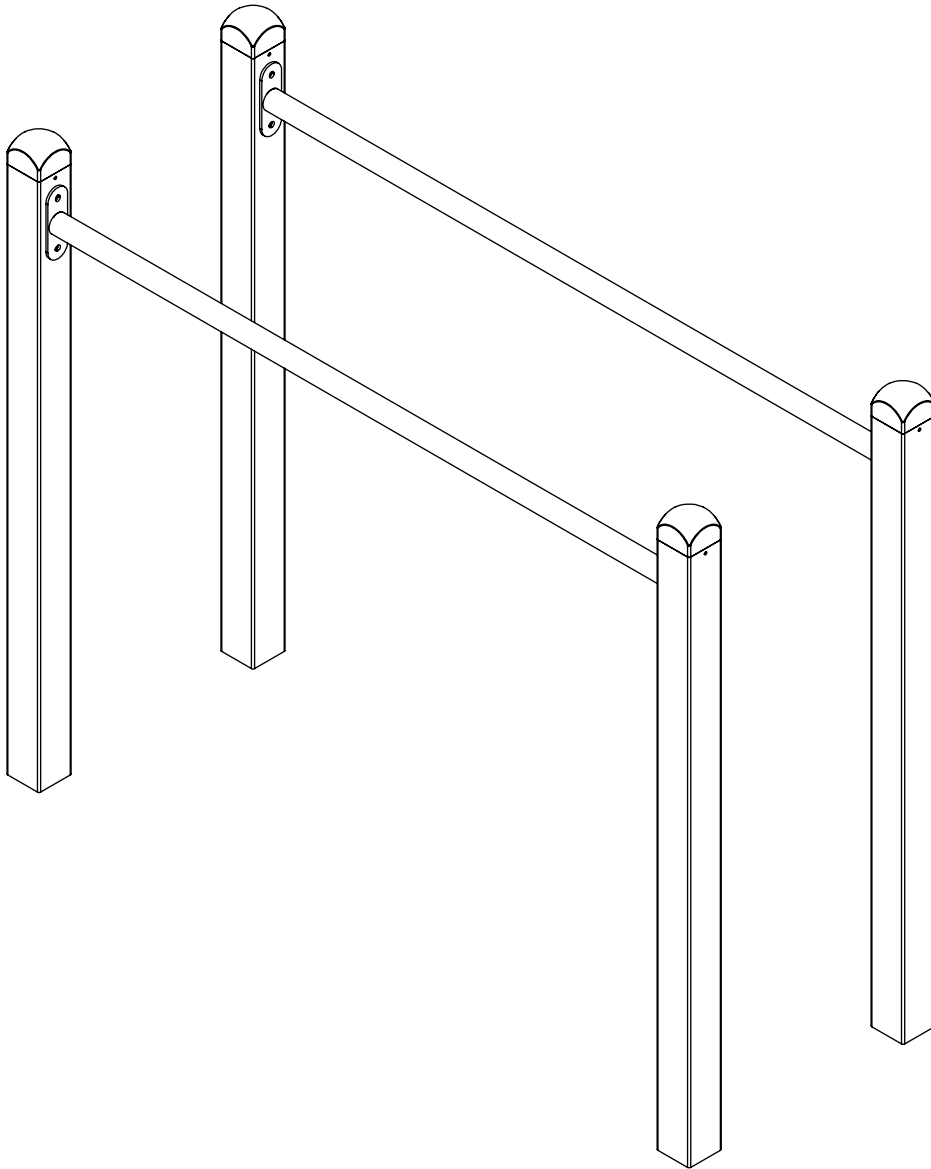


# 0408

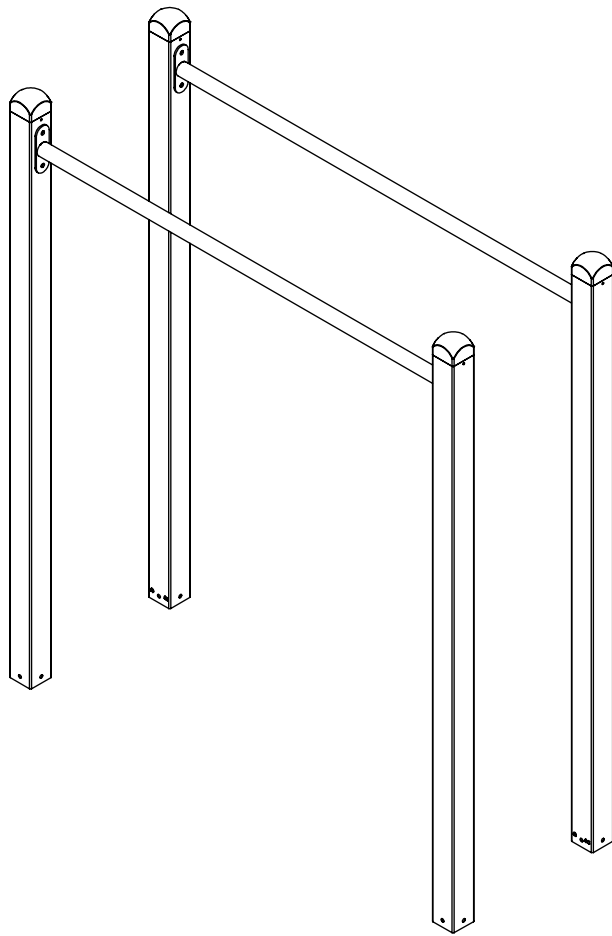
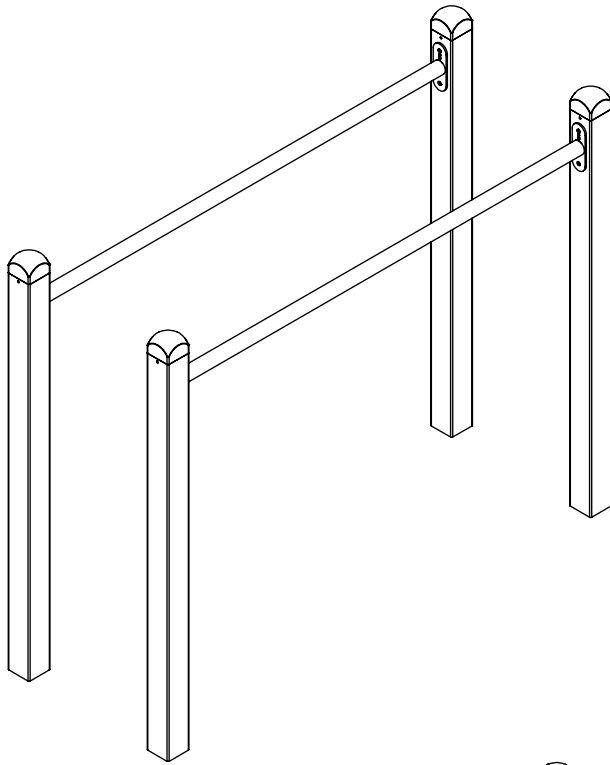


[cm]

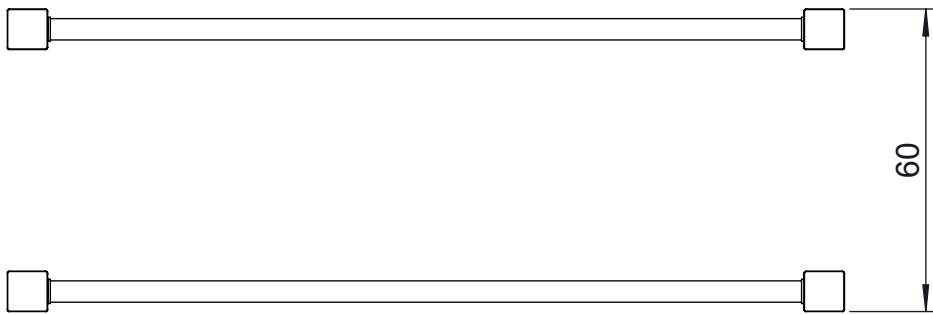
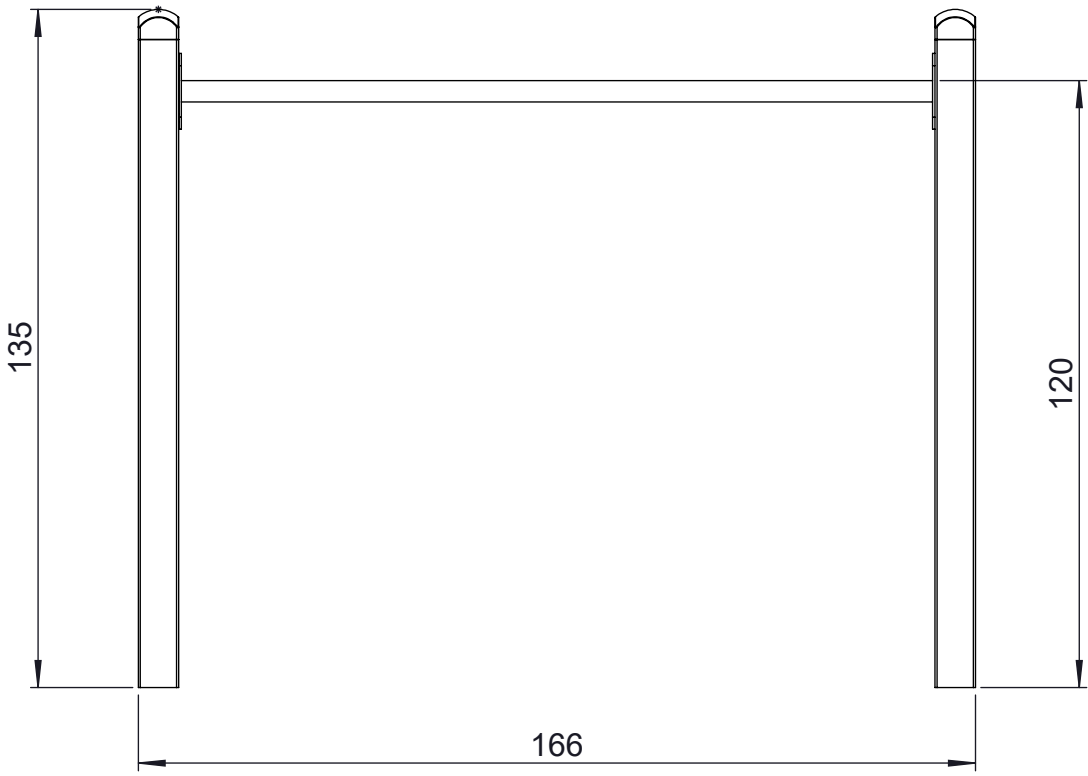
v3/05.11.18



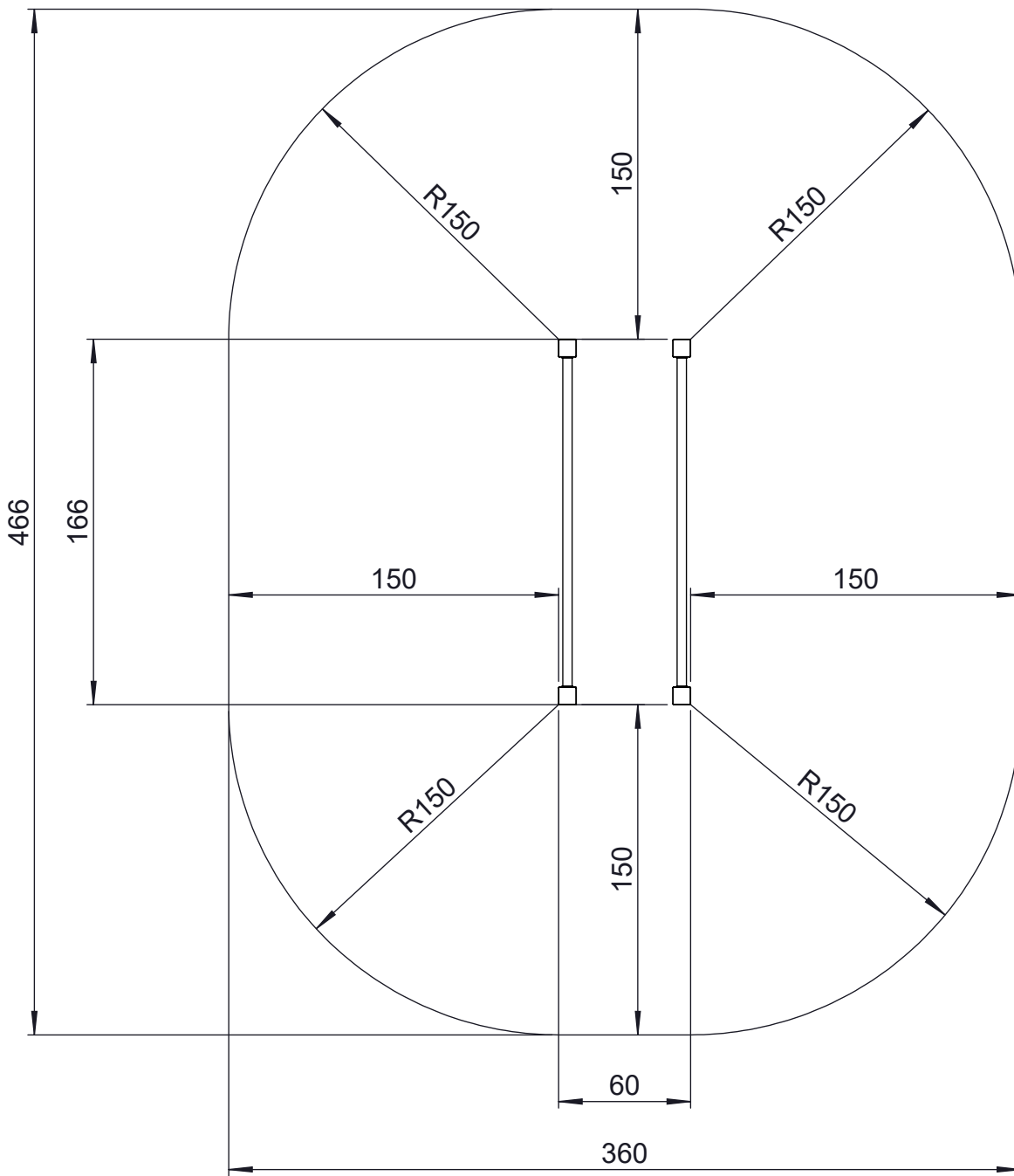
play  
Vinci



[cm]



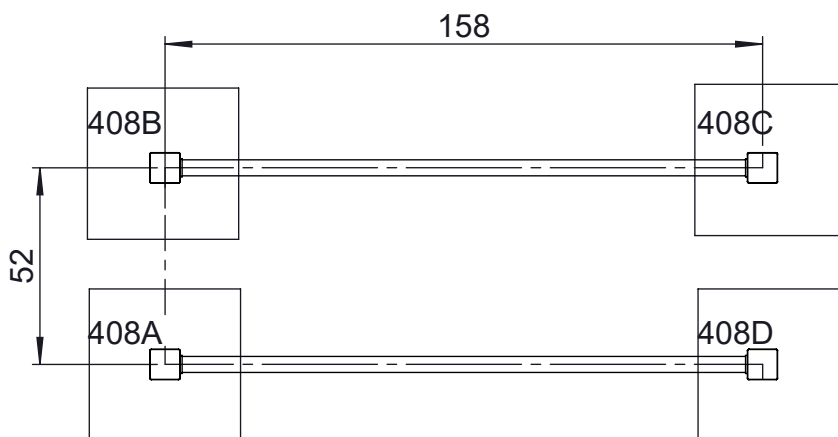
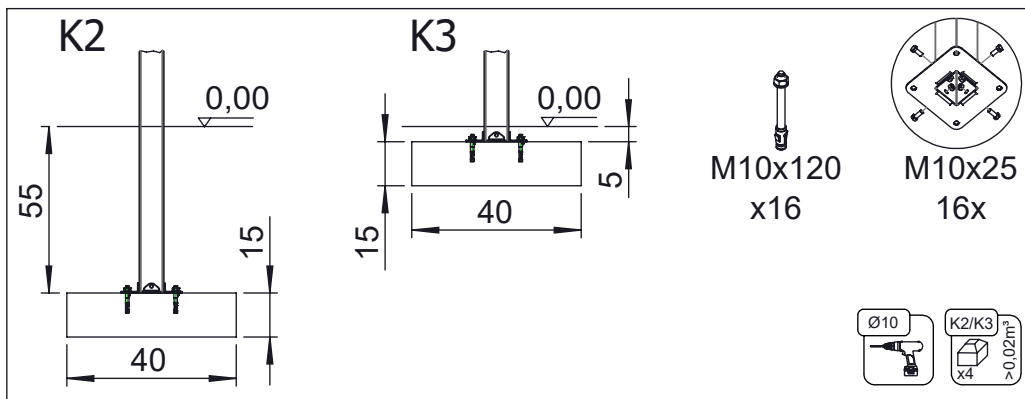
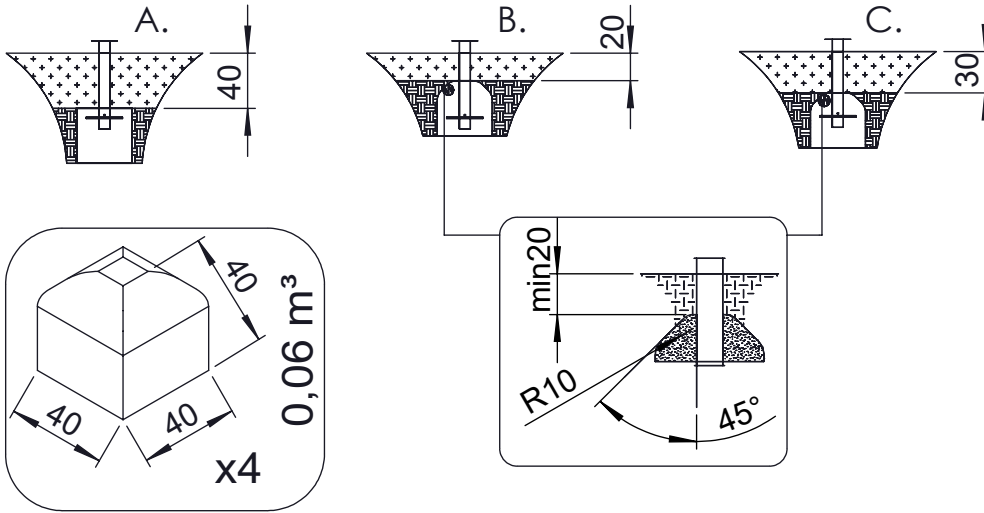
[cm]



[cm]



play  
Vinci



[cm]



2h



0,06 m<sup>3</sup>



48h



K2/K3 x4 >0,02m

play  
Vinci



408A  
x1



408B  
x1



408C  
x1

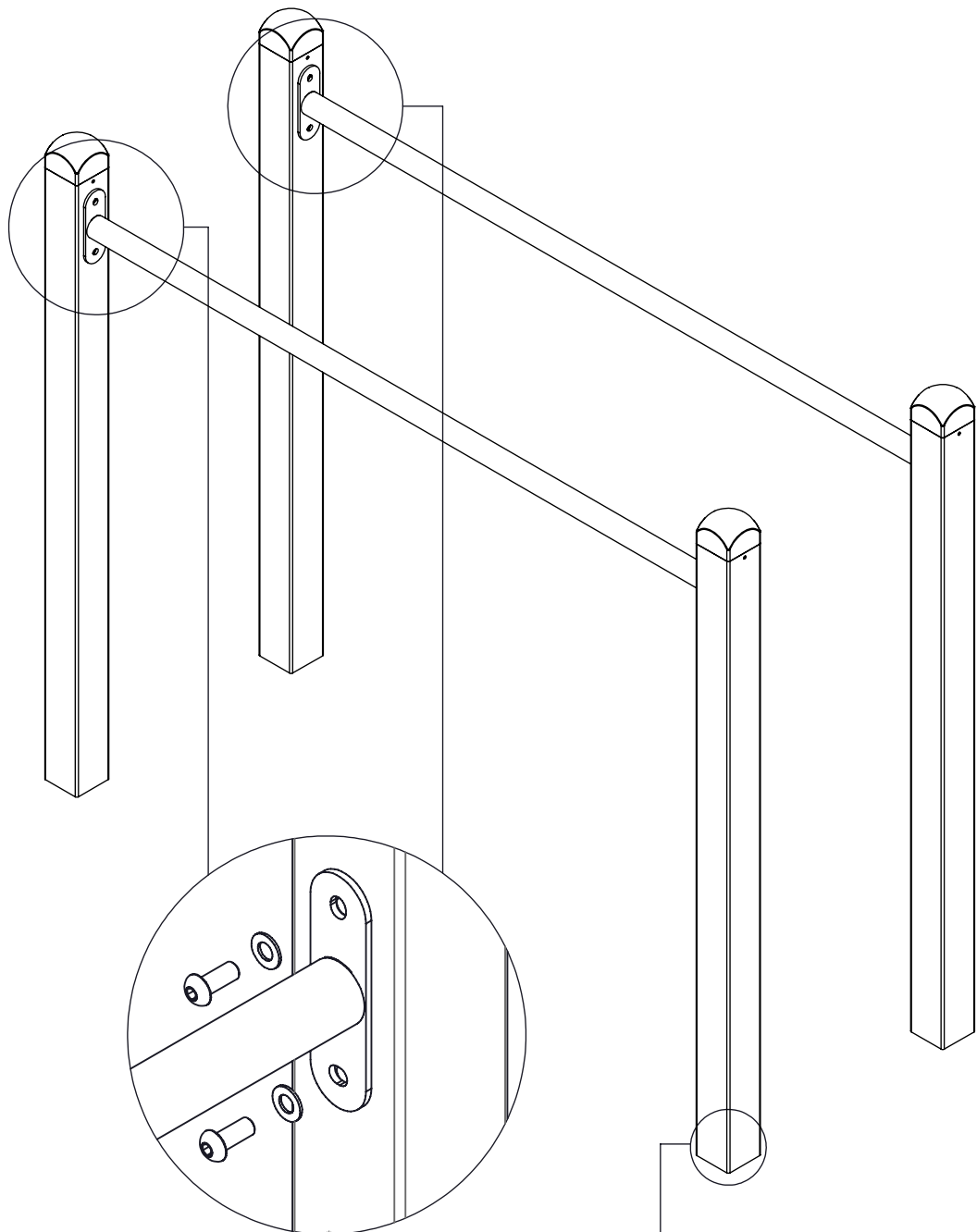


408D  
x1

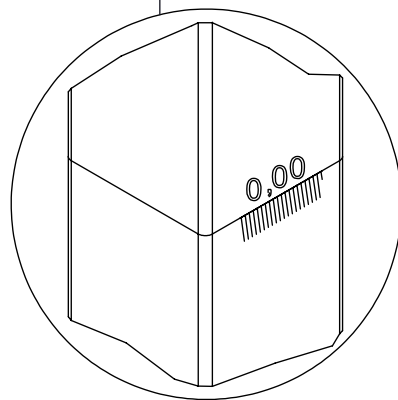


042134  
x2

|         |    |
|---------|----|
| ST/INOX |    |
| 2x      | E1 |



E1



[cm]



play  
vinci