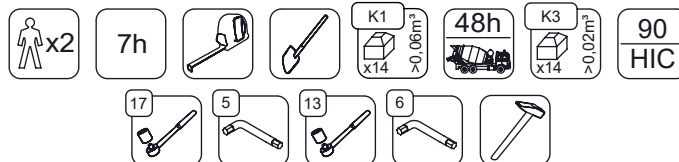
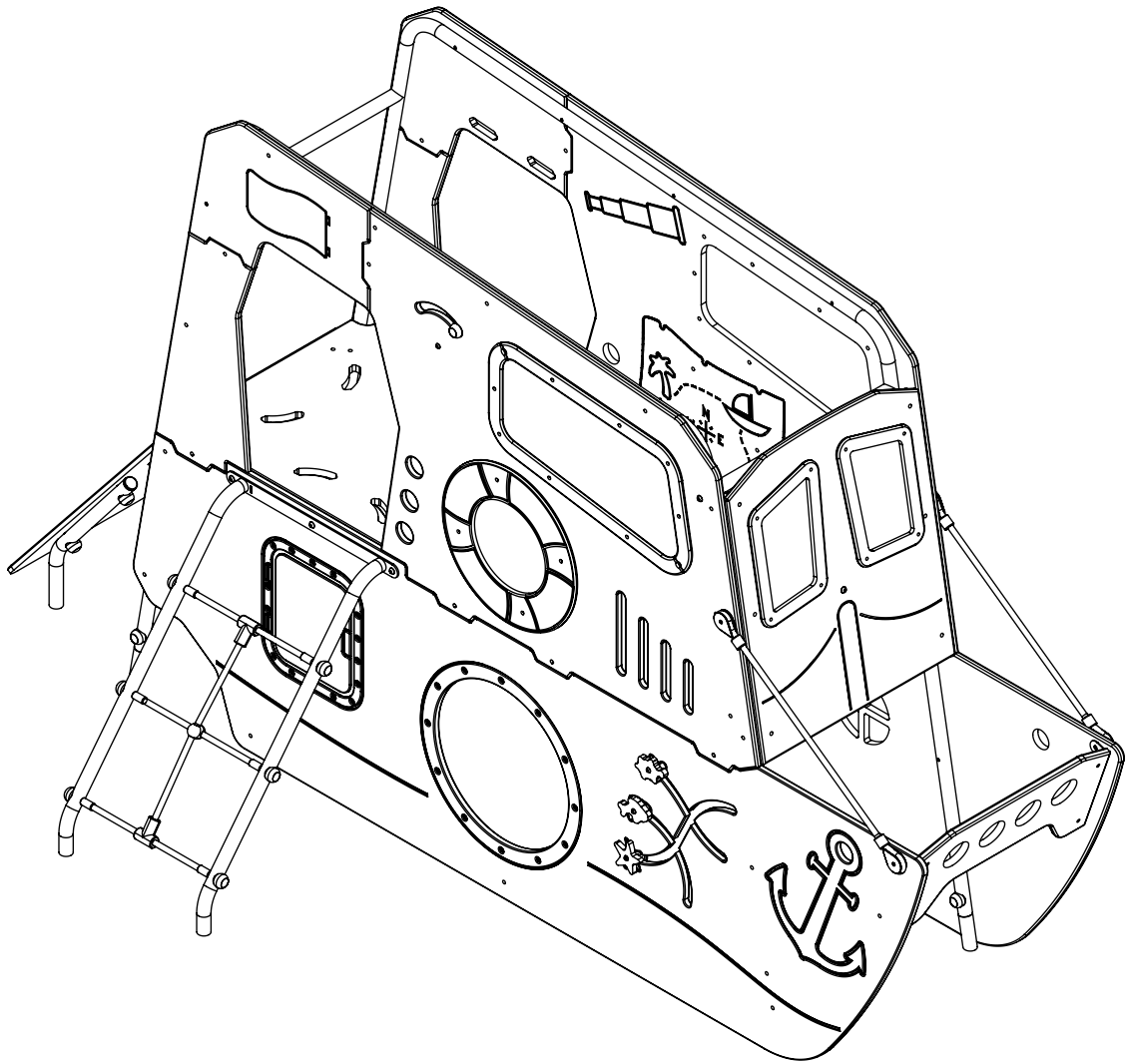
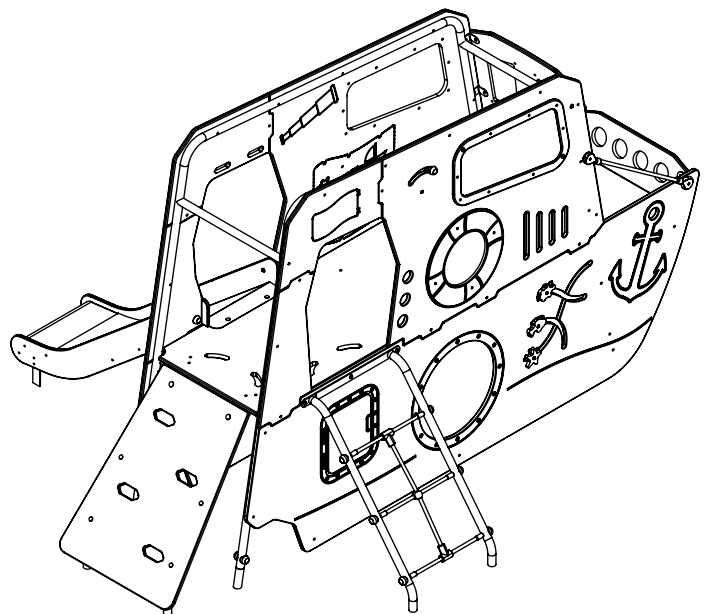
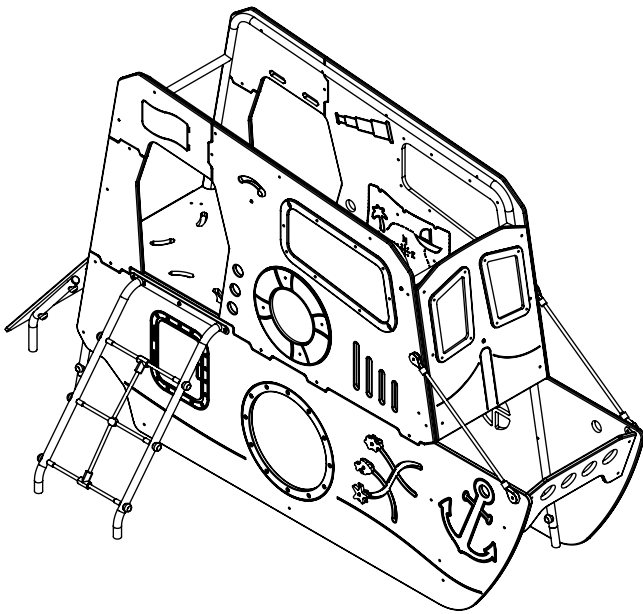
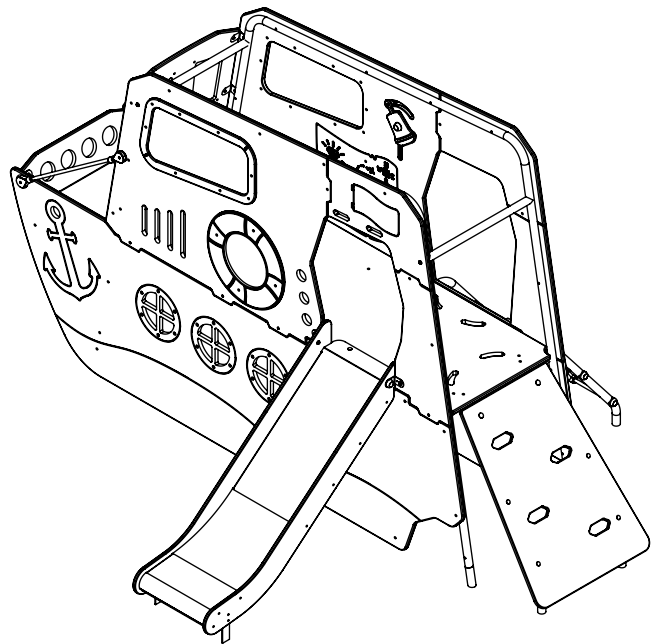
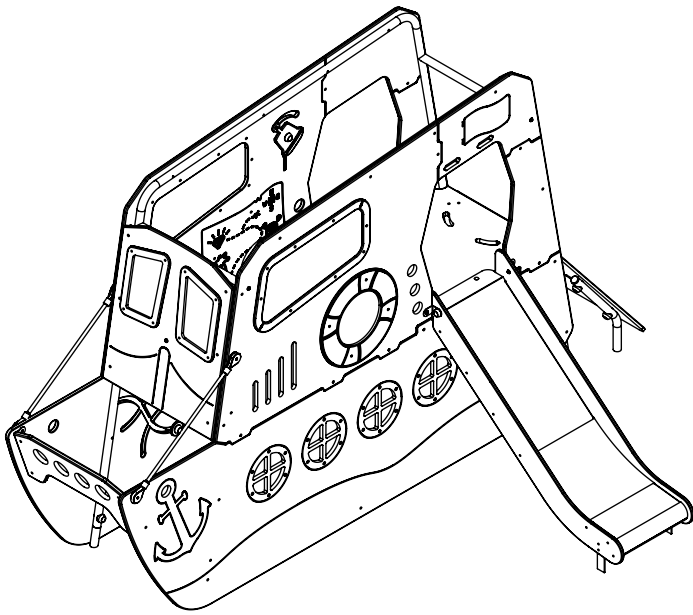


3101



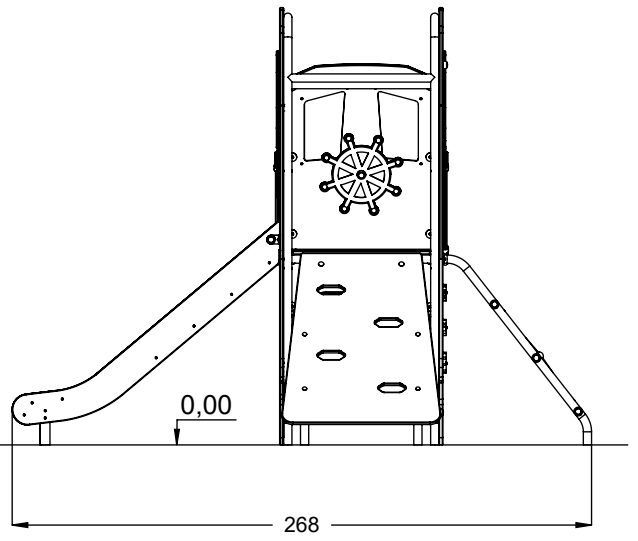
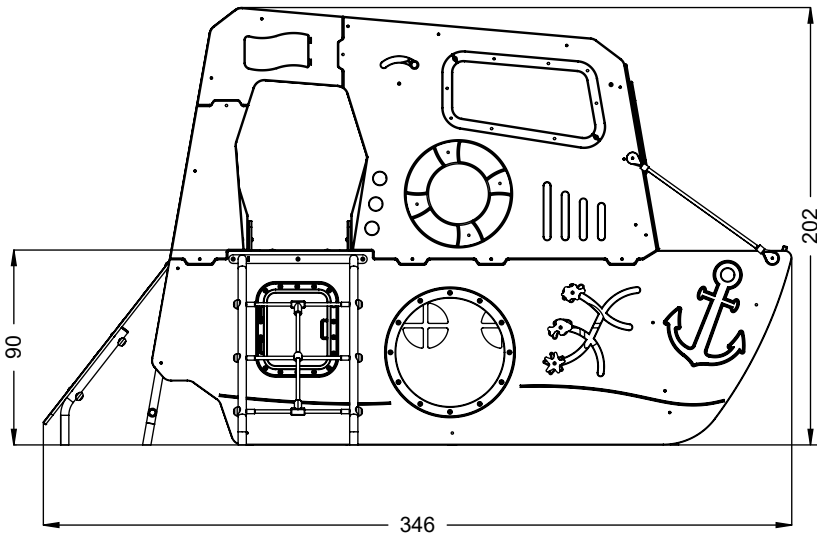
v011
03.03.2021
A. H.
[cm]

vinci
play



[cm]

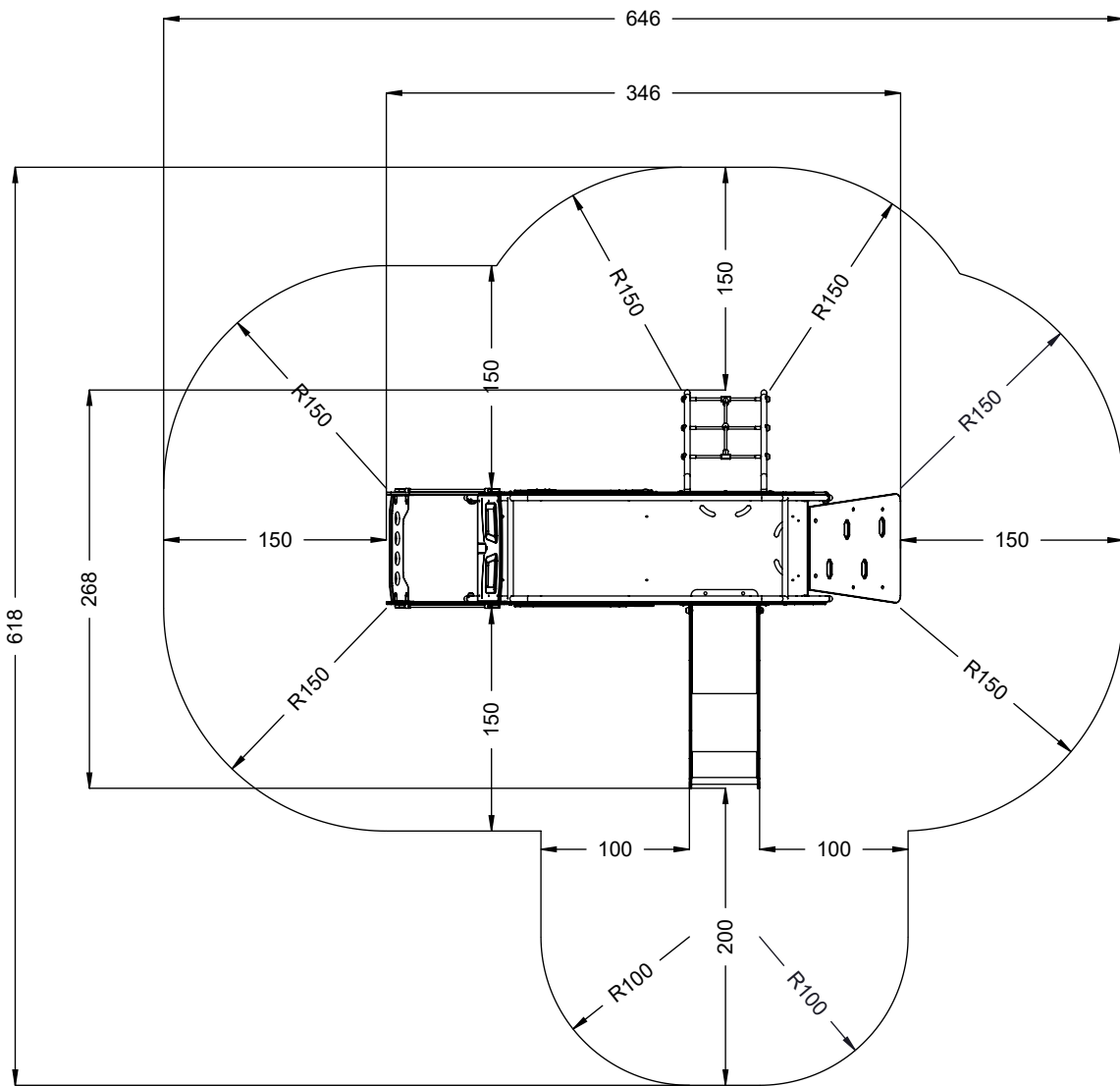
vinci
play



[cm]



vinci
play

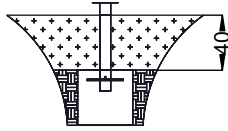


[cm]

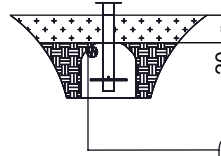


vinci
play

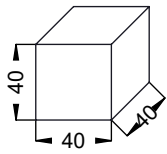
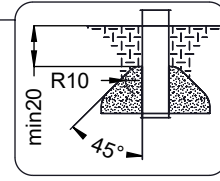
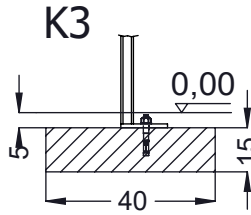
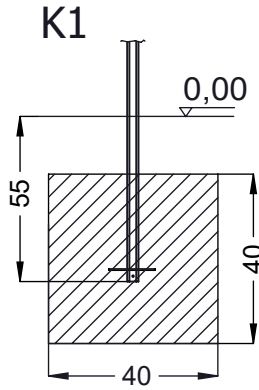
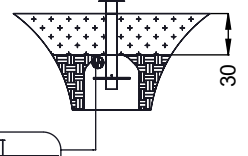
A.







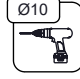

B.

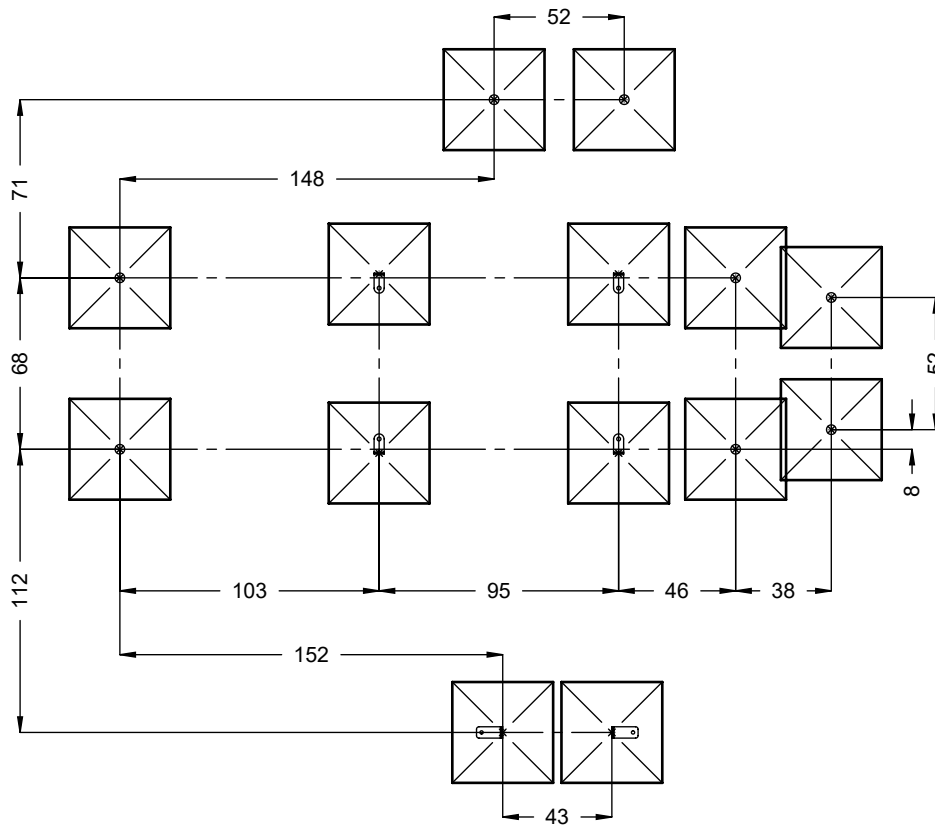


C.



	K3
M8x120 x2	
NOT INCLUDED	

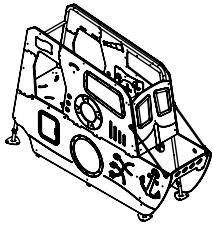
	K3
M10x120 x20	
NOT INCLUDED	



[cm]



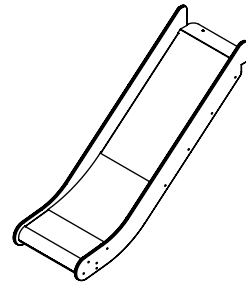
vinci play



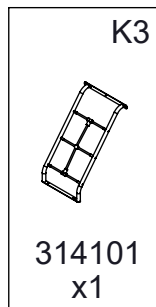
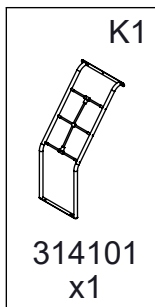
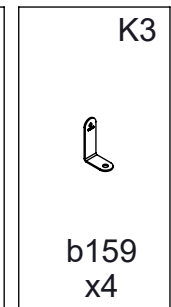
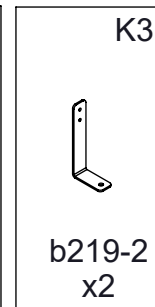
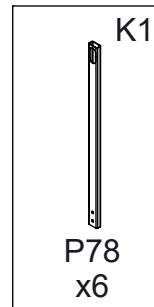
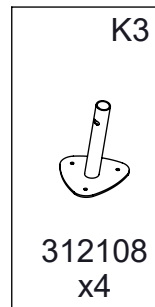
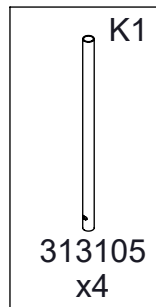
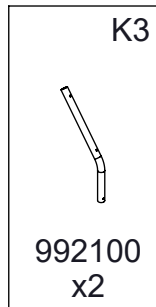
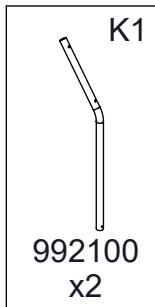
x1



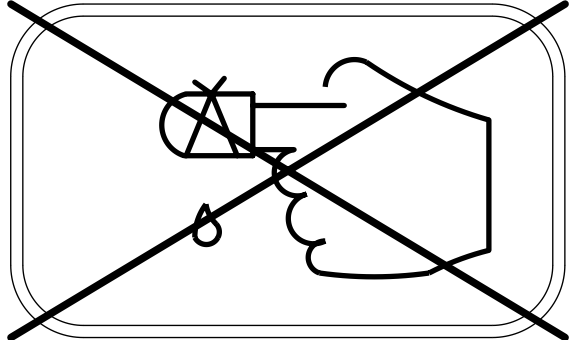
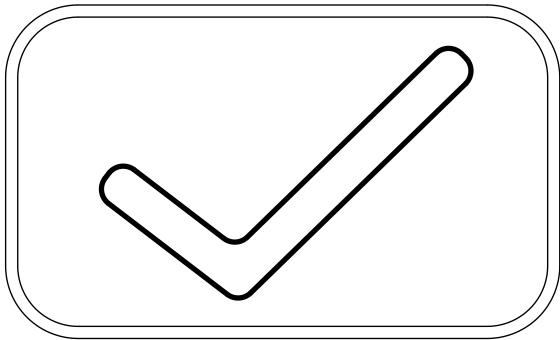
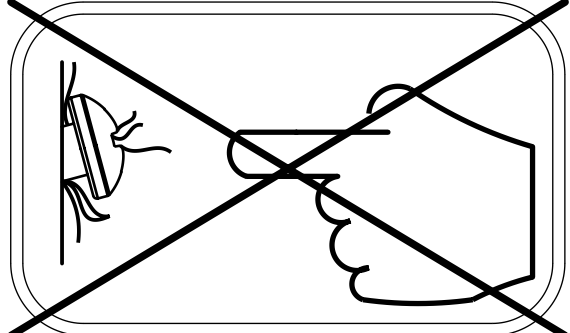
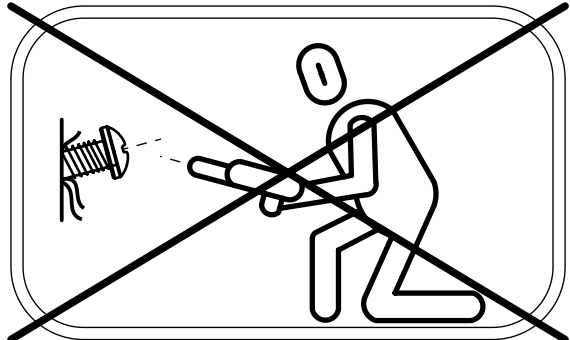
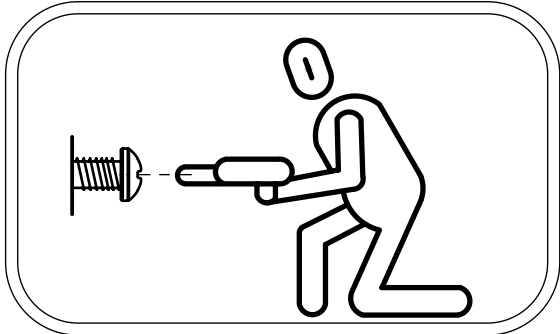
311123
x1

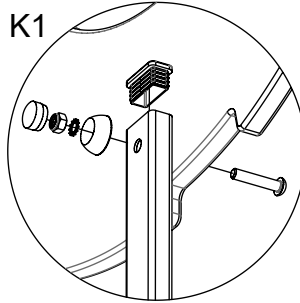
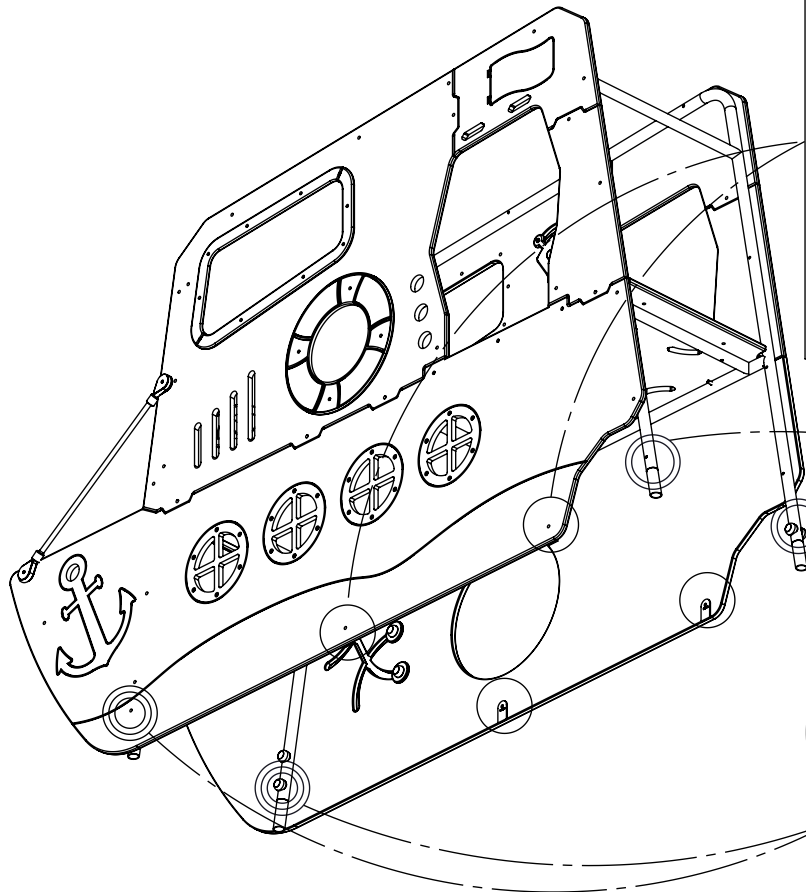


994103
x1



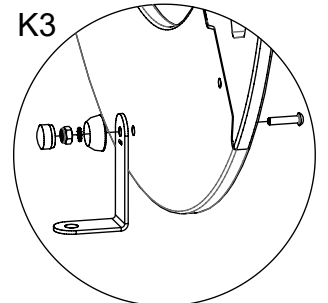
ST/INOX		HDPE / PLYWOOD		HPL	
1x	E34 (K1, K3)	1x	PS72 (S1)	1x	PH72 (S1)
1x	E88 (K3)	1x	PS73 (S6)	1x	PH73 (S6)
1x	E189 (K1, K3)	1x	PS75	1x	PH75
		1x	PS76	1x	PH76
		1x	CE85		
		1x	CE89		
		4x	CE124 (K3)		
		4x	CE123 (K1)		





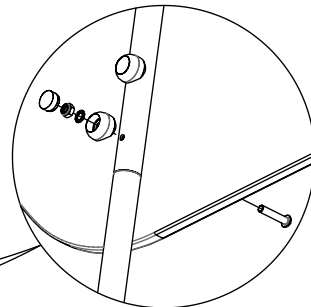
K1

4x ^{HDPE} CE123

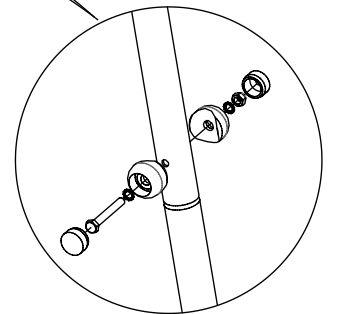


K3

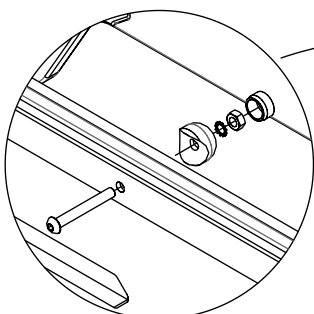
4x ^{HDPE} CE124



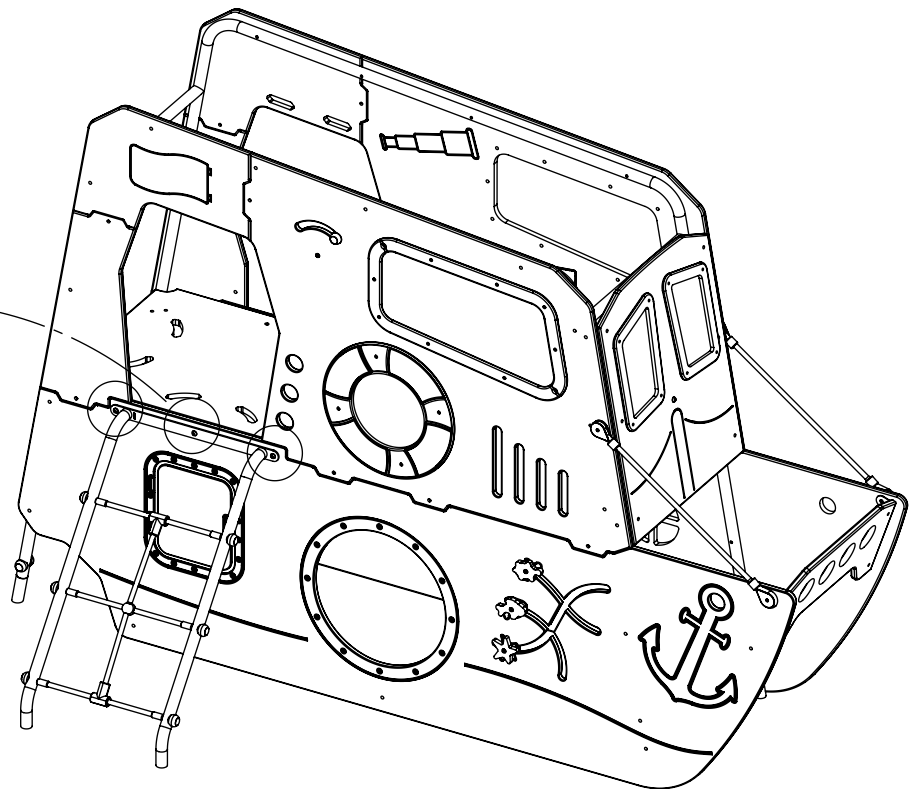
1x ^{HDPE} CE122



1x E189



1x ^{HDPE} CE85

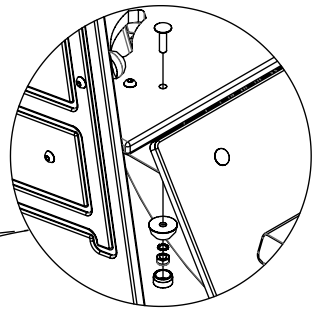
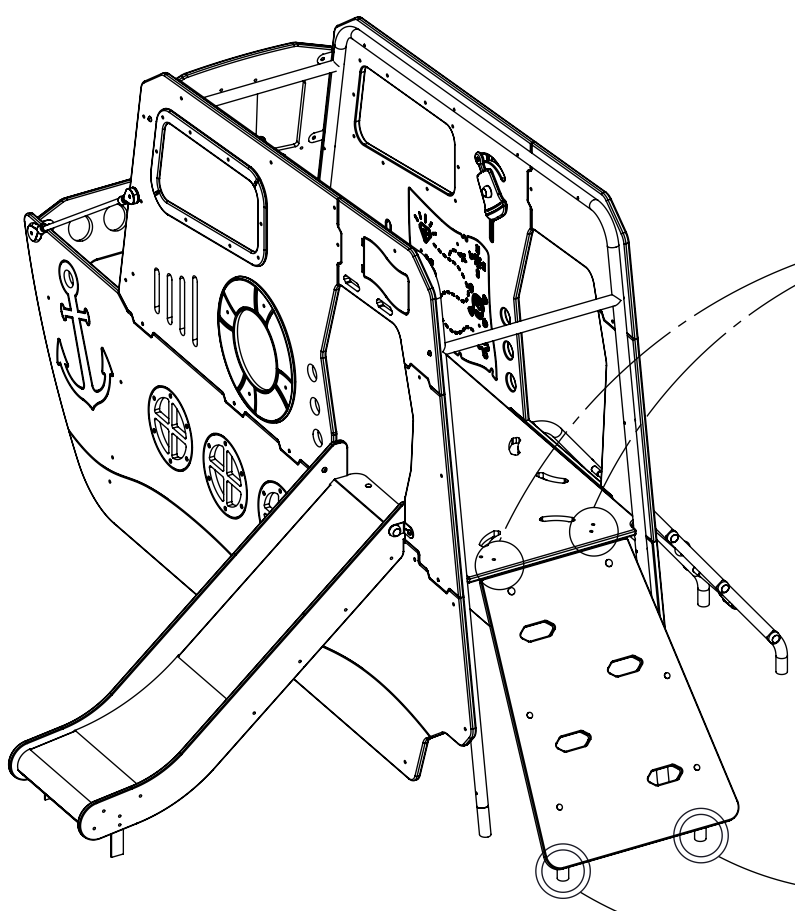
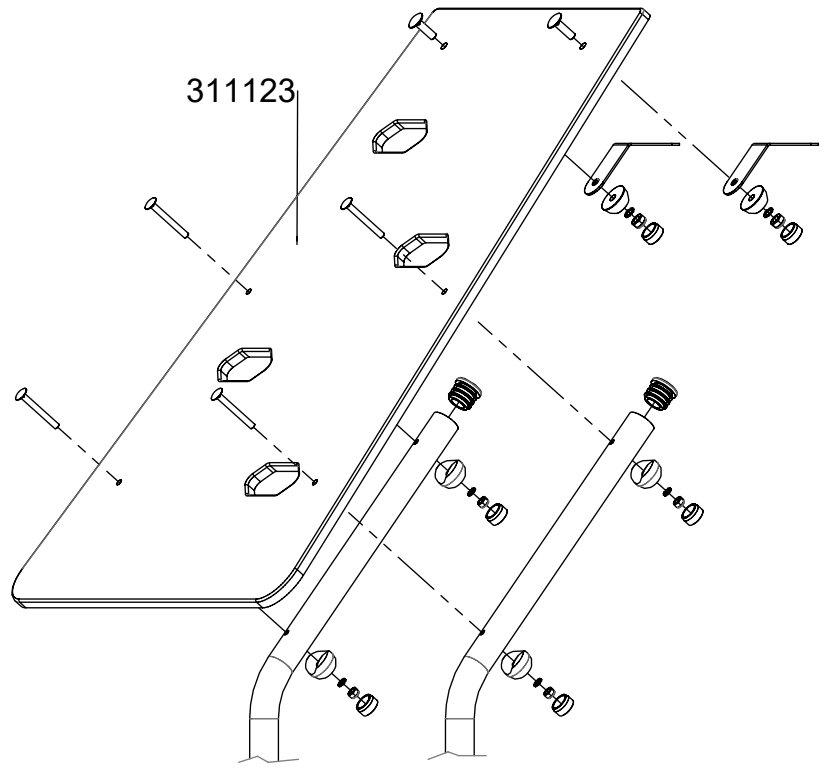


[cm]

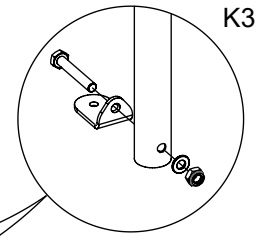


vinci
play

- 1x PLYWOOD
PS75
- 1x HPL
PH75



- 1x PLYWOOD
PS76
- 1x HPL
PH76

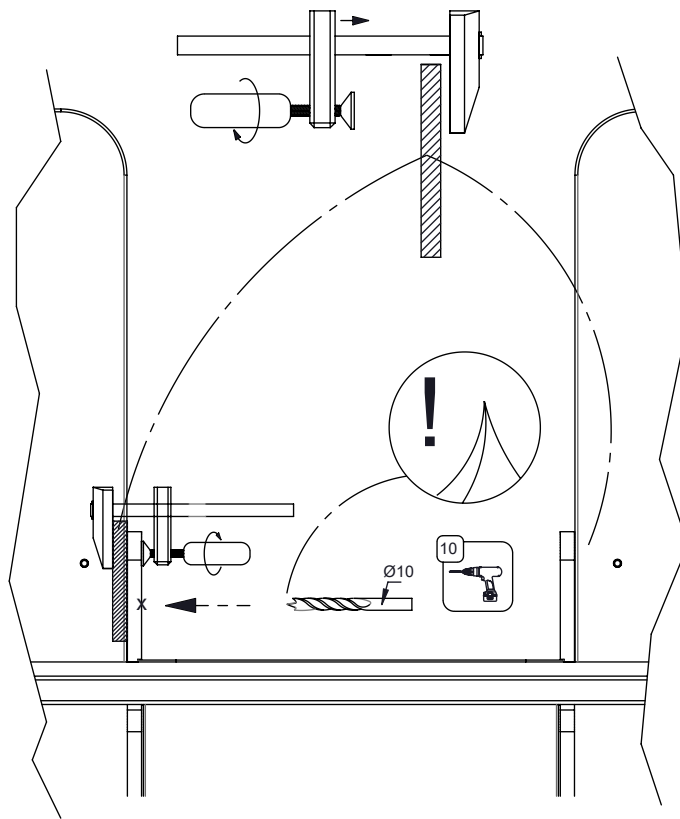
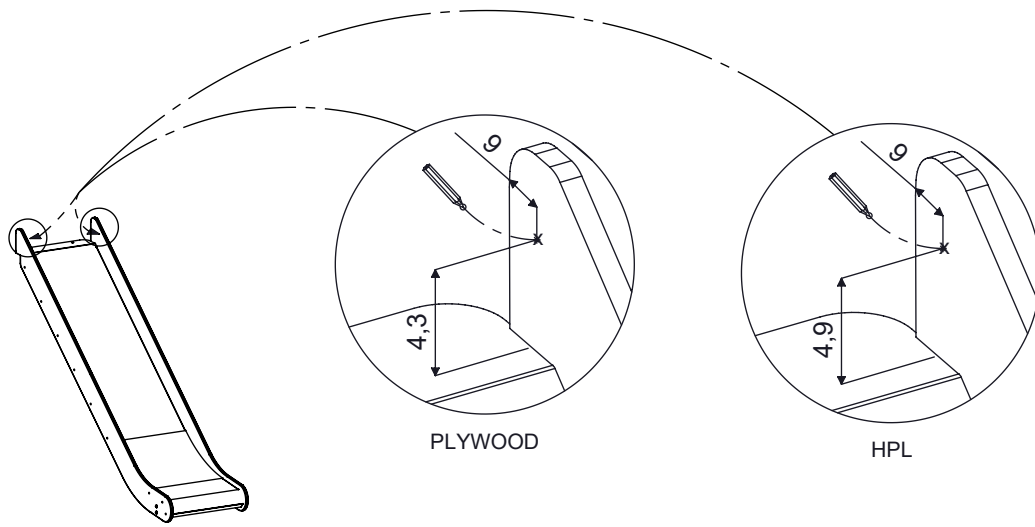


- 1x E88



[cm]

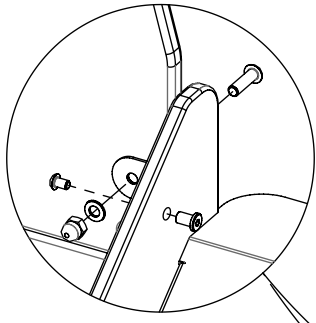
vinci
play



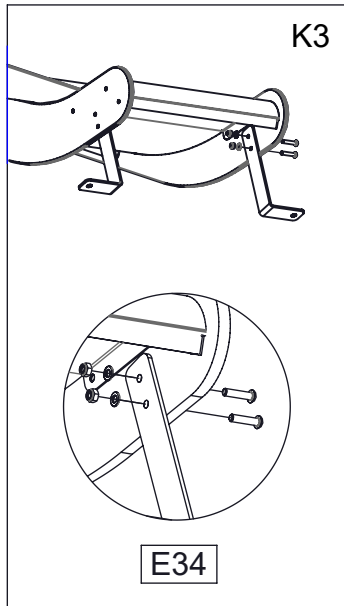
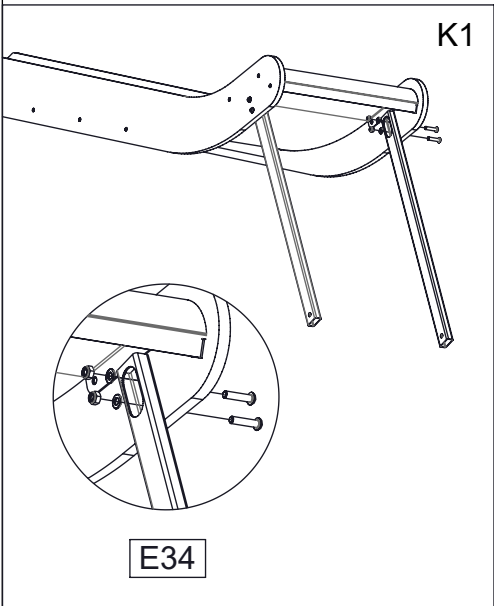
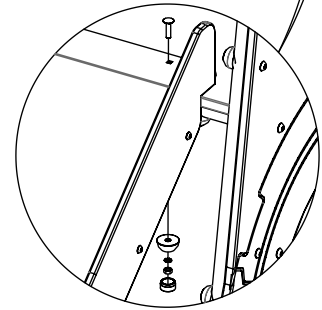
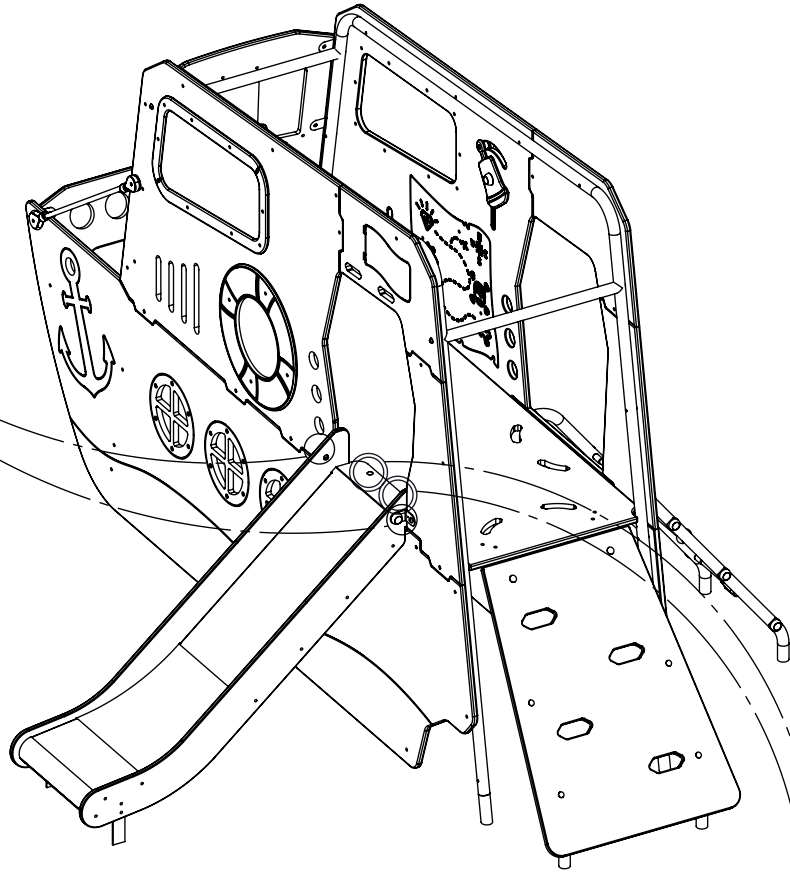
[cm]



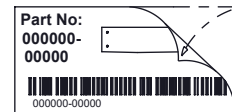
vinci
play



1x ^{HDPE}
CE89



	PLYWOOD		PLYWOOD
1x	PS72 <small>S1</small>	1x	PS73 <small>S6</small>
	HPL		HPL
1x	PH72 <small>S1</small>	1x	PH73 <small>S6</small>



[cm]



vinci
play