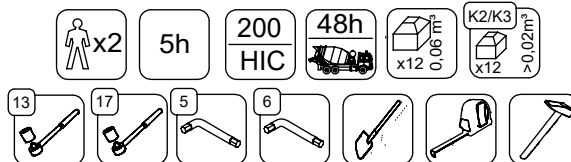
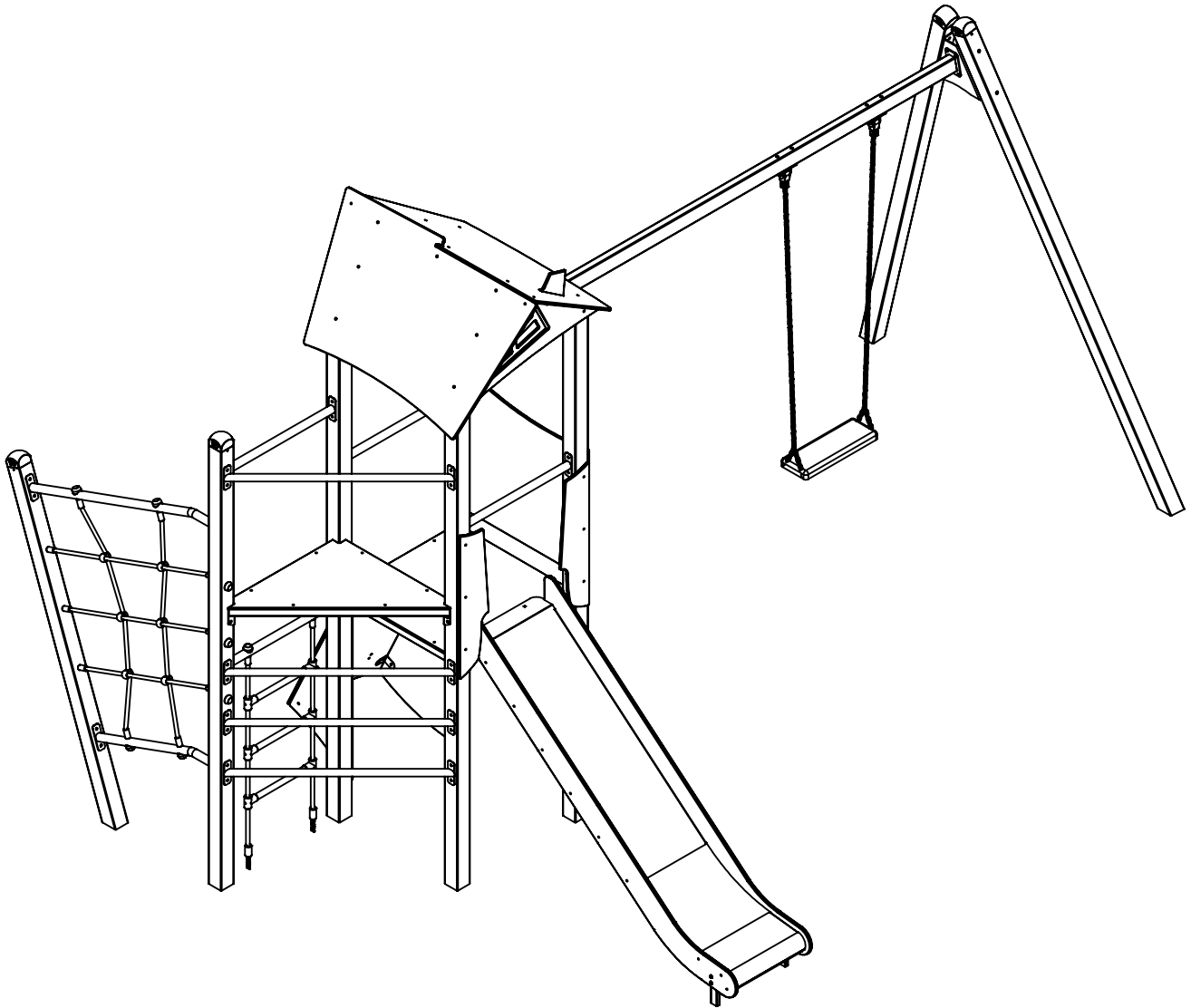


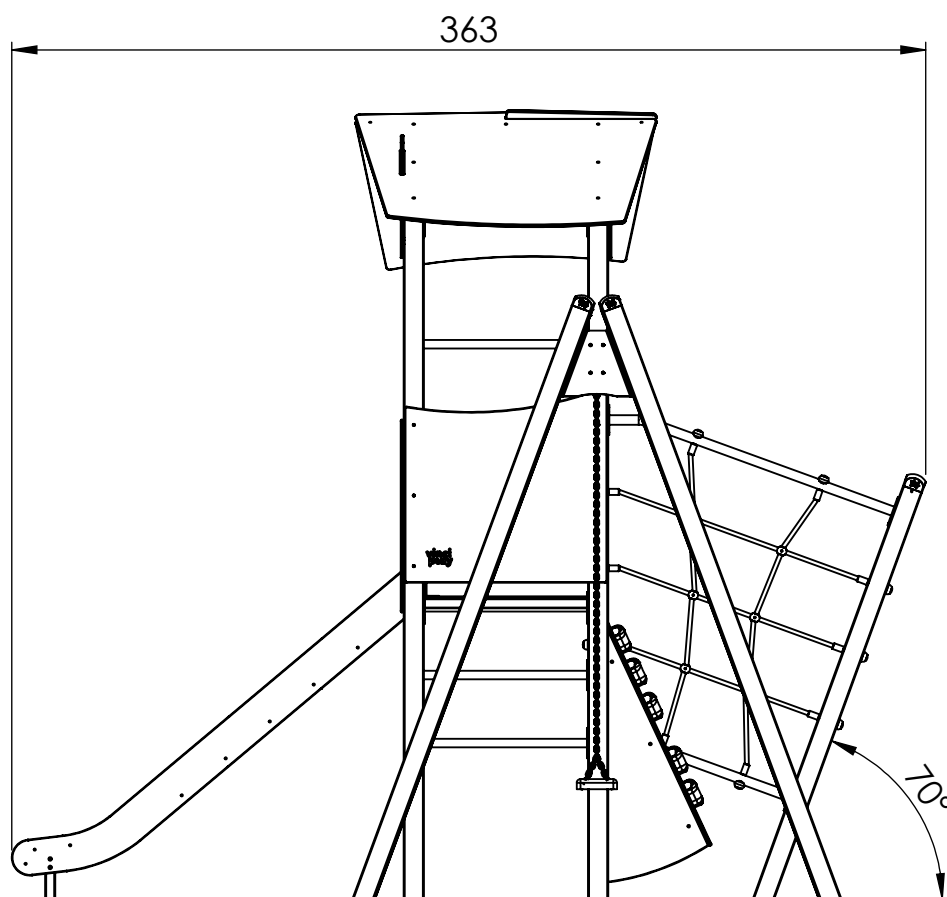
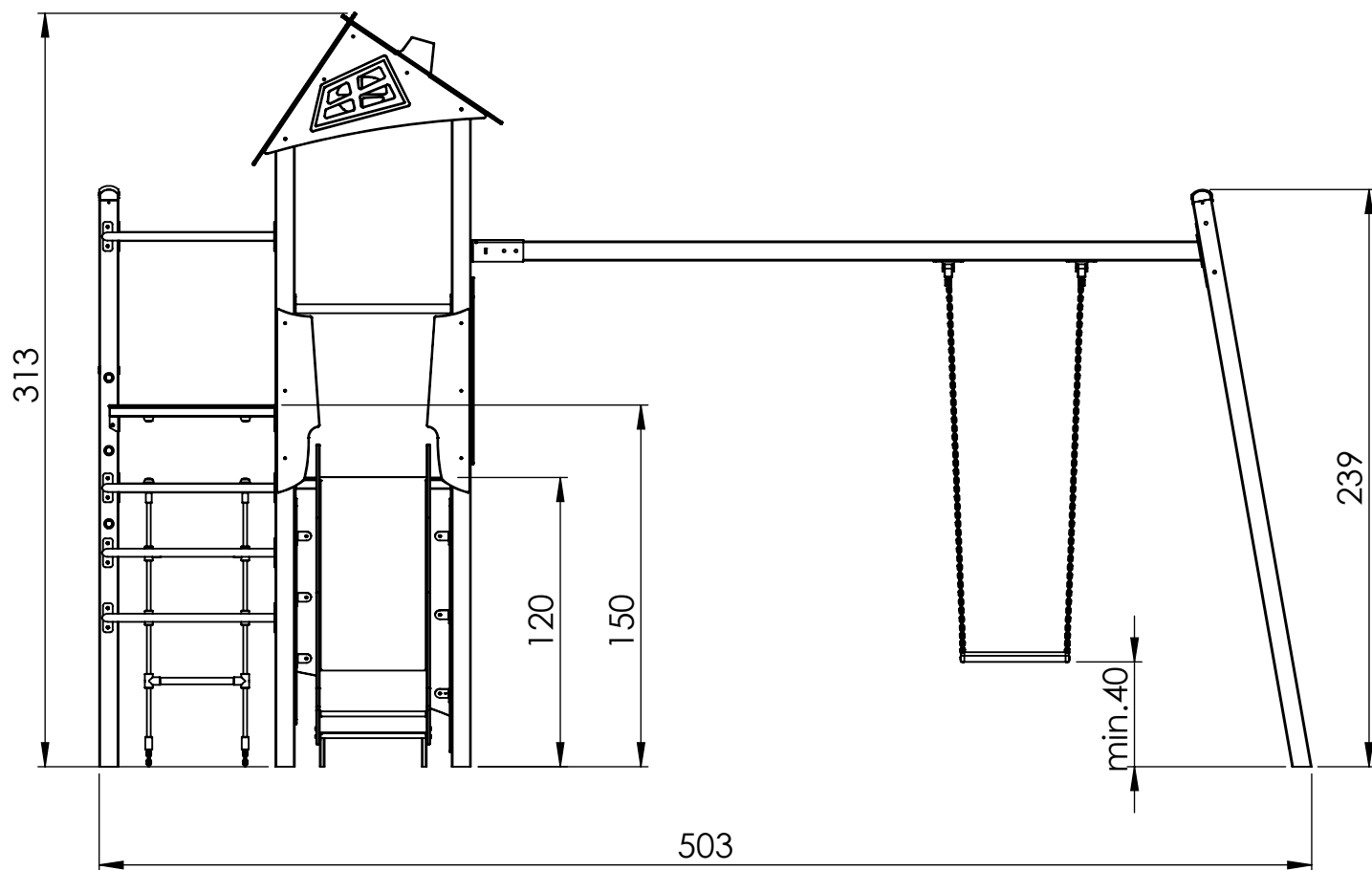
# 1705



[cm]

v012 / 20.05.2021  
D.P.

vinci  
play

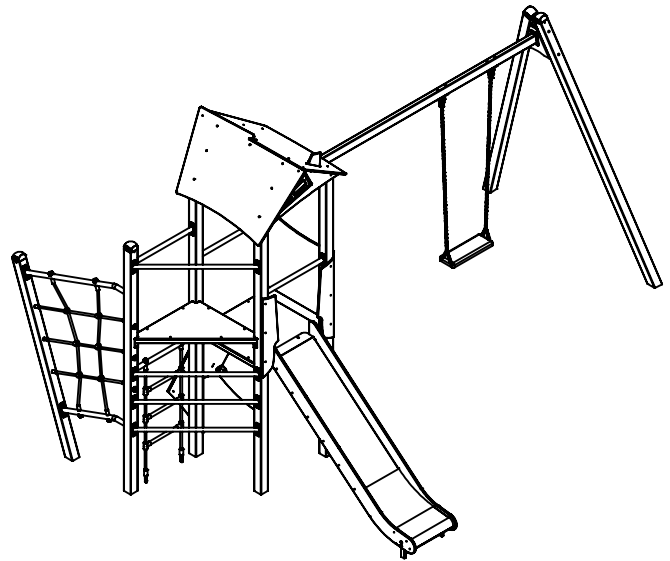
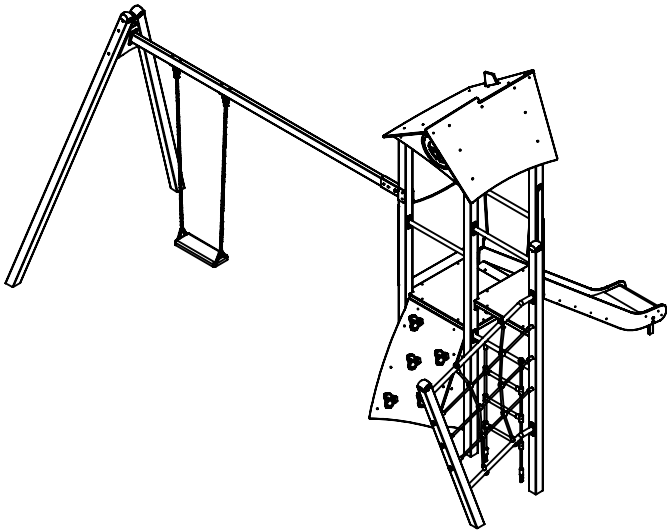
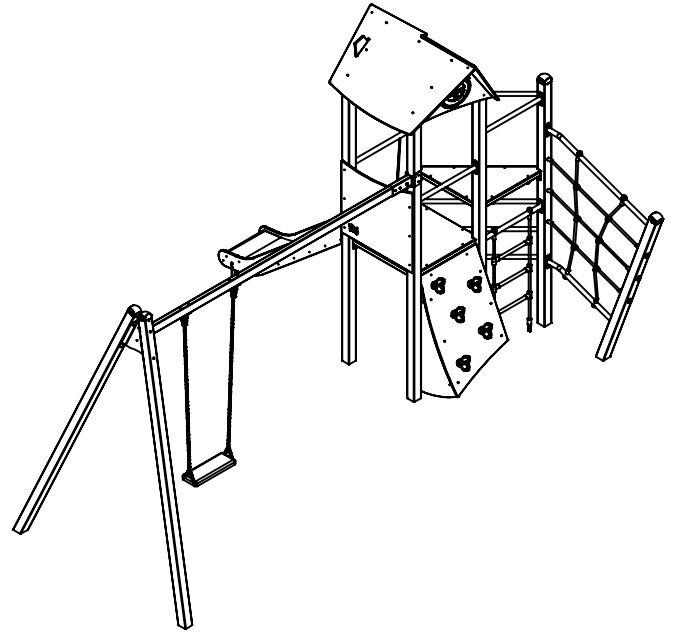
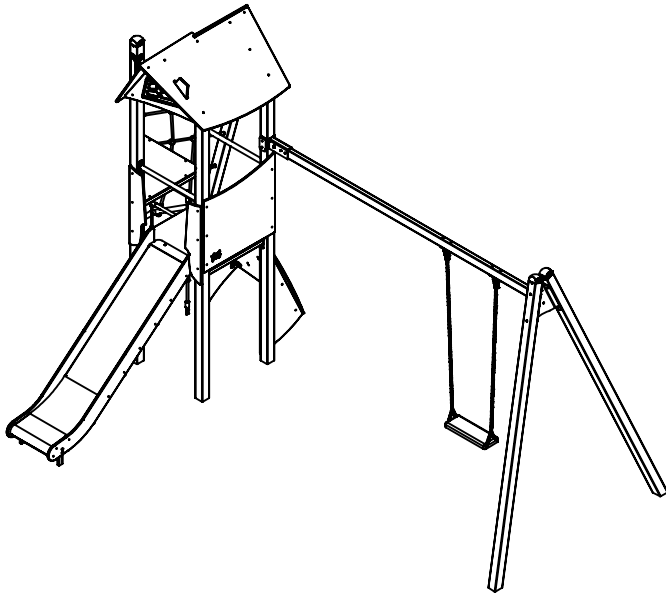


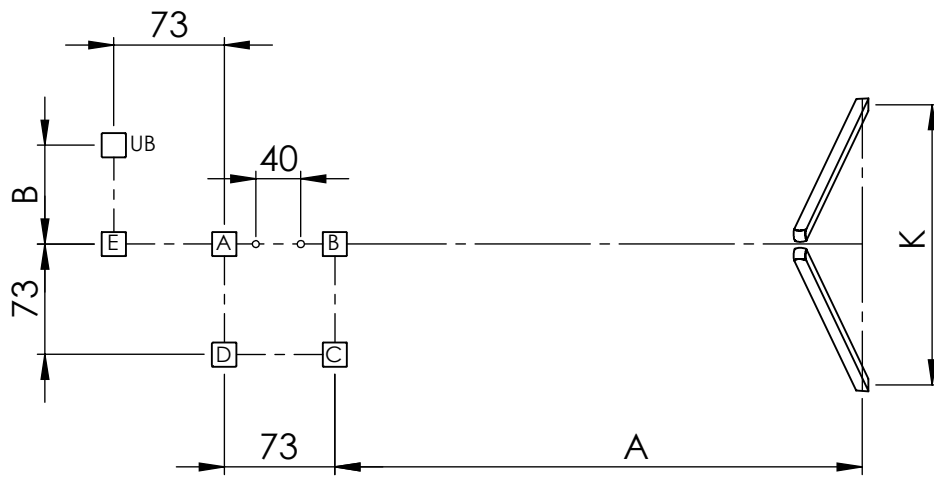
[cm]

vinci  
play

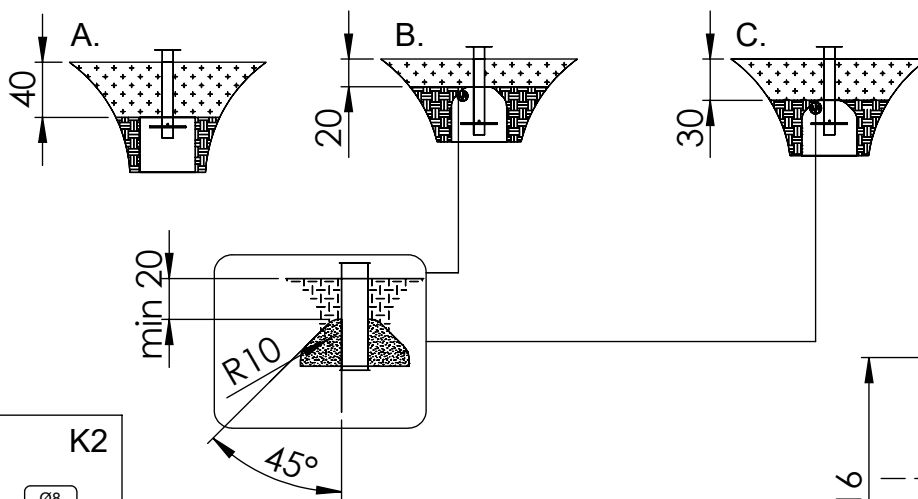


[cm]





	A	B	K
K1	356	46	218
K2	358	46	225
K3	350	64	188



**K2**

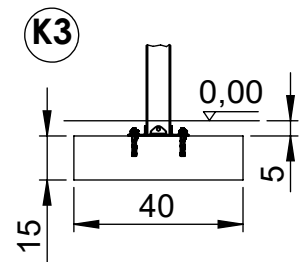
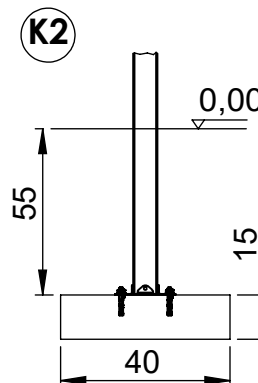
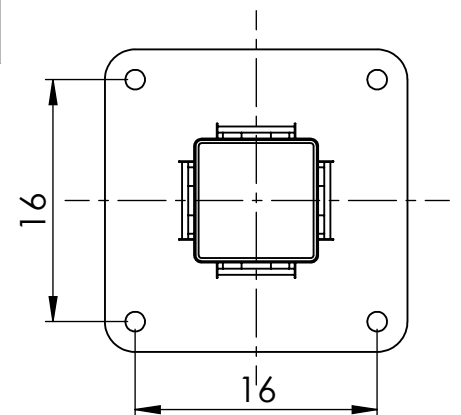
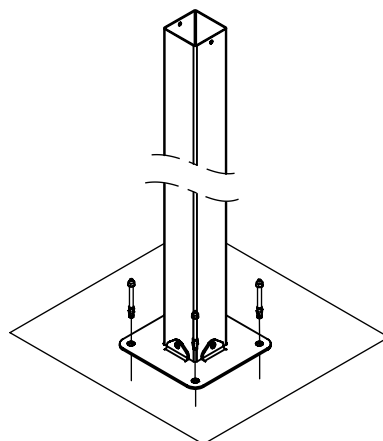
M8x120 x2  
M10x120 x36

**NOT INCLUDED**

**K3**

M10x120 x38

**NOT INCLUDED**

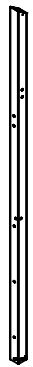


[cm]

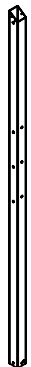
vinci  
play



1705A  
x1



1705B  
x1



1705C  
x1



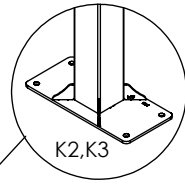
1705D  
x1



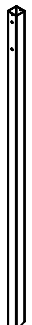
1705E  
x1



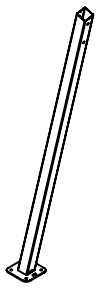
1705E  
x1



K2.K3

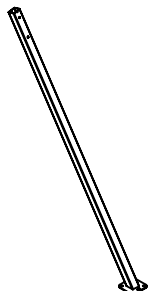


054103  
x2

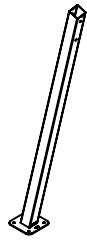


052112  
x1

K2

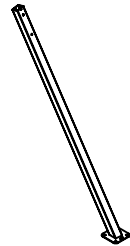


052113  
x1

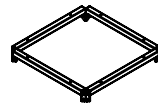


052115  
x1

K3



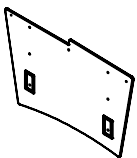
052116  
x1



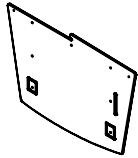
172100  
x1



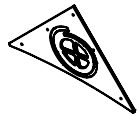
172101  
x1



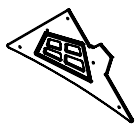
171100  
x1



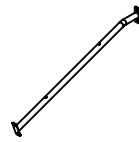
171101  
x1



171102  
x1



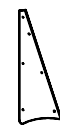
171103  
x1



172104  
x1



172105  
x1



171110  
x1



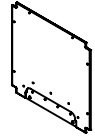
171109  
x1

S1



171122  
x1

S6



171234  
x1



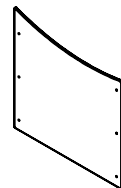
171233  
x1



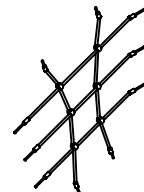
171141  
x1



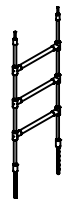
171112  
x2



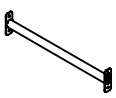
171114  
x1



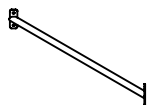
175100  
x1



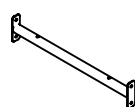
145102  
x1



142117  
x3



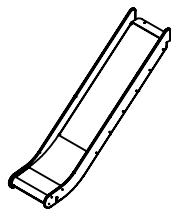
142139  
x4



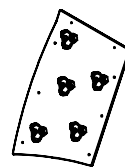
142137  
x1



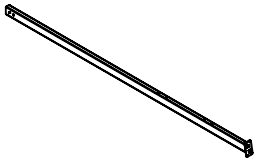
171206  
x1



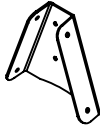
994104  
x1



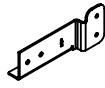
171111  
x1



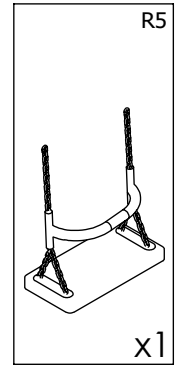
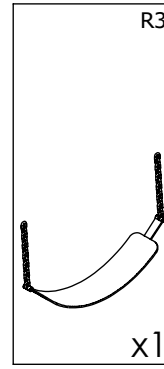
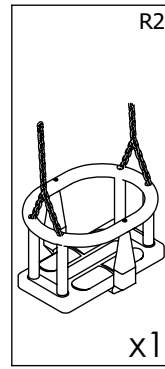
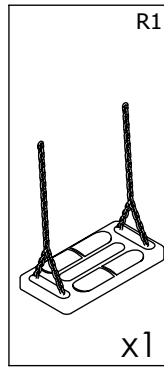
142140  
x1



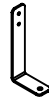


b66\_5  
x1



b253  
x2



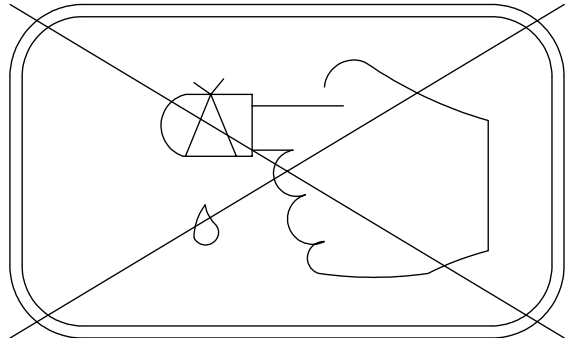
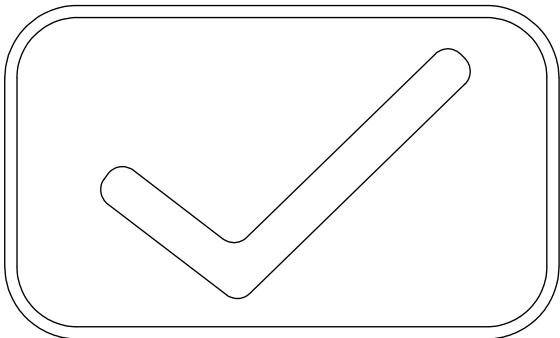
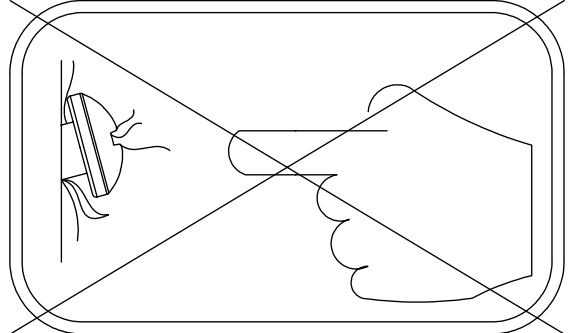
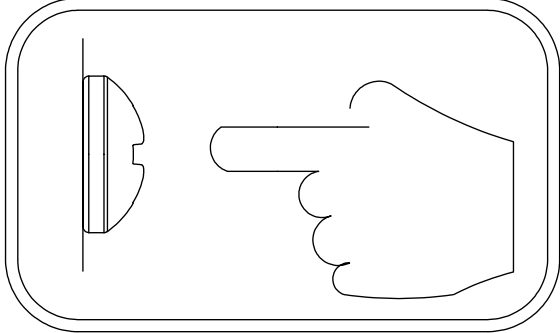
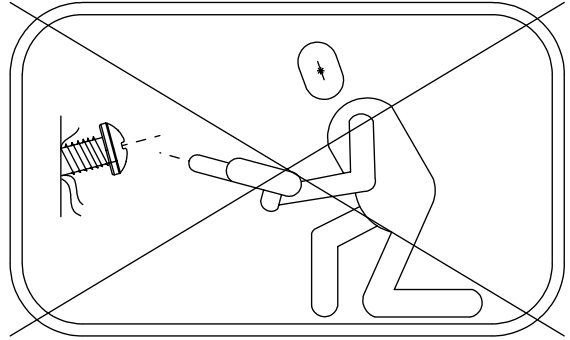
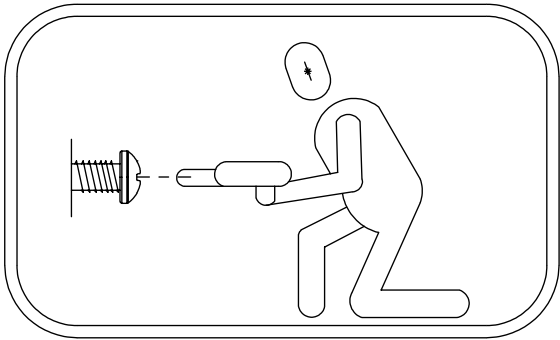
<p><b>K2, K3</b></p>  <p>b231 x5</p>	<p><b>K1, K2</b></p>  <p>P78-3 x2</p>	<p><b>K3</b></p>  <p>b219-2 x2</p>
---	--	---

Qty.	ST/INOX
20	10 pp**
20	10 nh**
20	10x20 m**
2	10x40 ikl
56	10x25 ikl
18	10 pp
8	10x30 ikl
18	8x25 ikl
1	17e004
3	17e012
1	17e034***
1	17e035*
2	17e052
1	17e060
1	17e061
1	17e062
1	17e064
1	GL**
1	V001

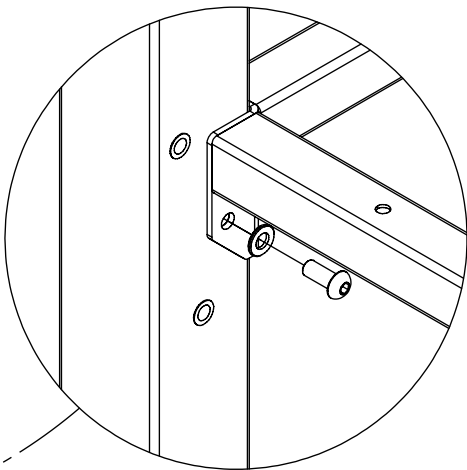
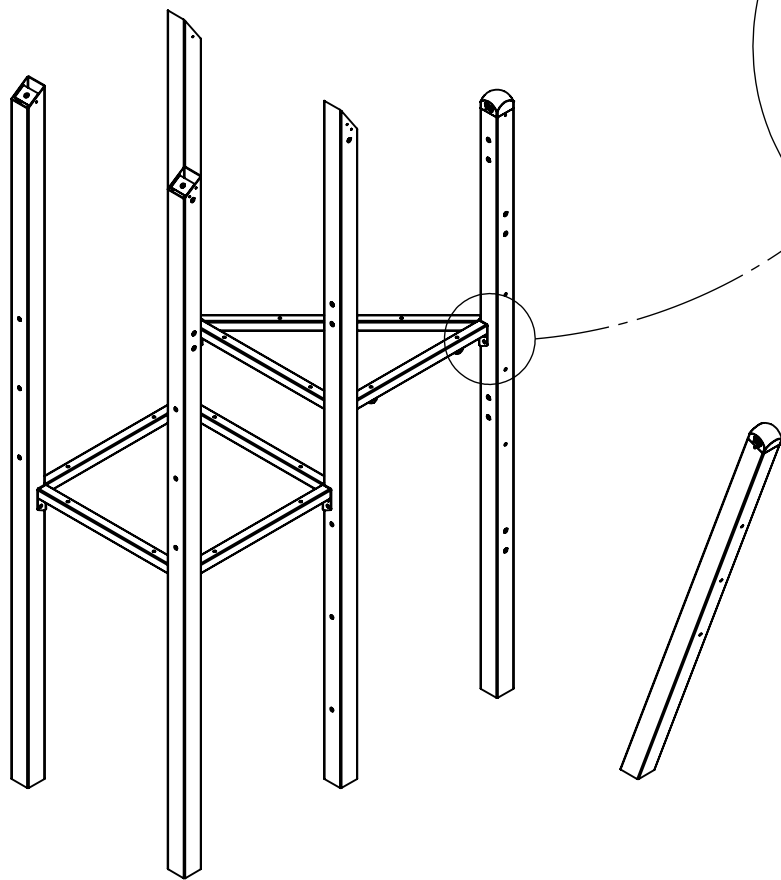
Qty.	HDPE
1	17c020

Qty.	HPL
1	17p003
1	17p005
1	17p013
1	17p015
1	17p017(s1)
1	17p019(s6)
1	17p061(s6)
1	17p021

\*K2  
\*\*K2, K3  
\*\*\*K1, K3



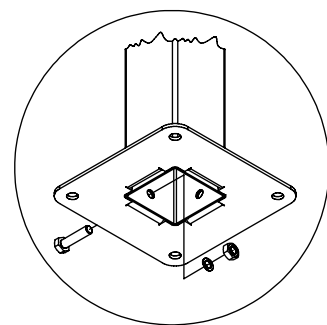




14x 10x25ikl

K2, K3

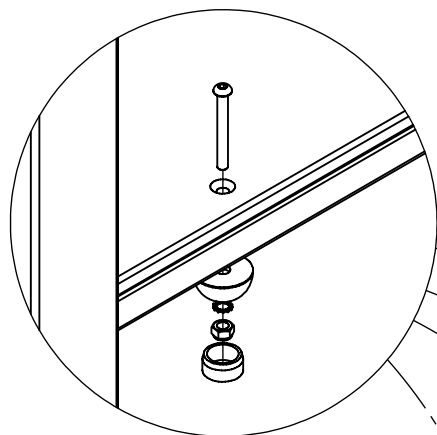
14x 10pp



20x 10x20m

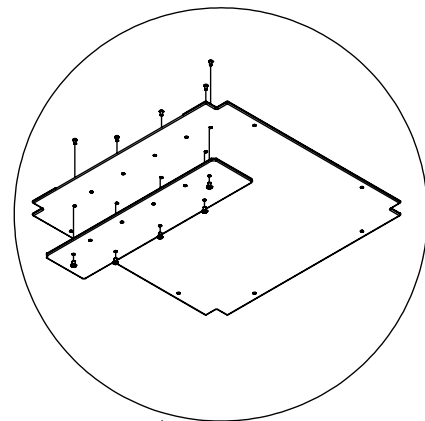
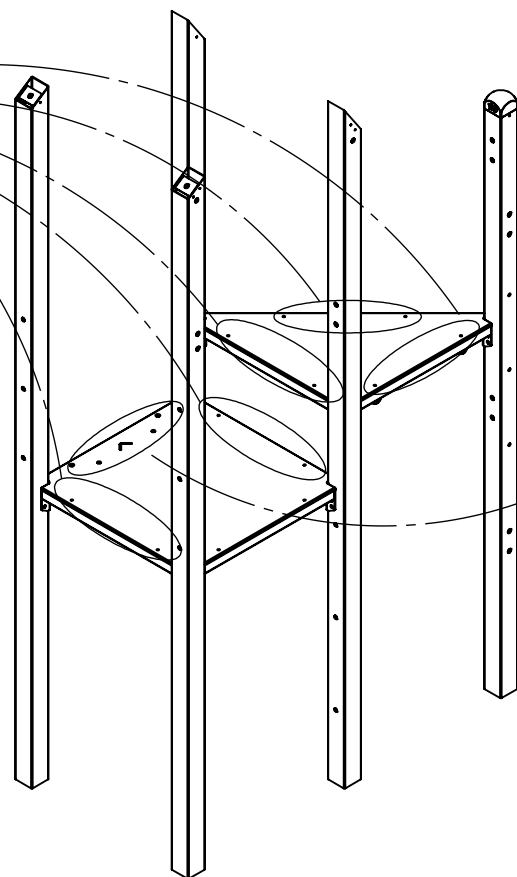
20x 10pp

20x 10nh



1x 17p003

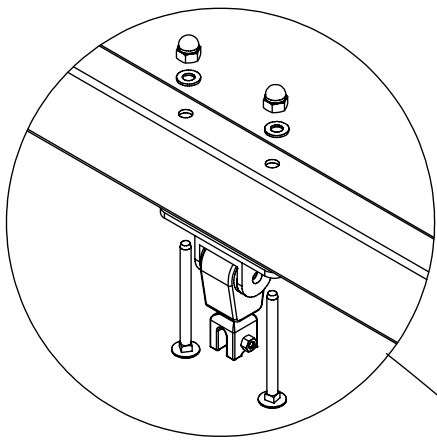
1x 17p005



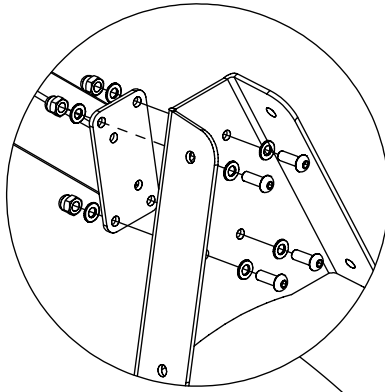
1x 17p061<sup>S6</sup>

[cm]

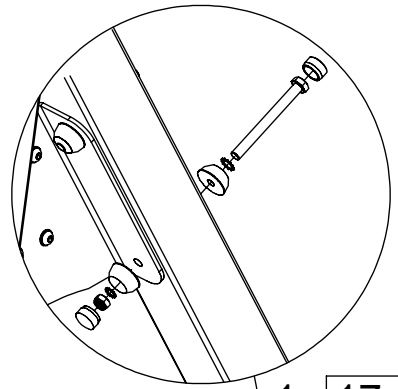
vinci  
play



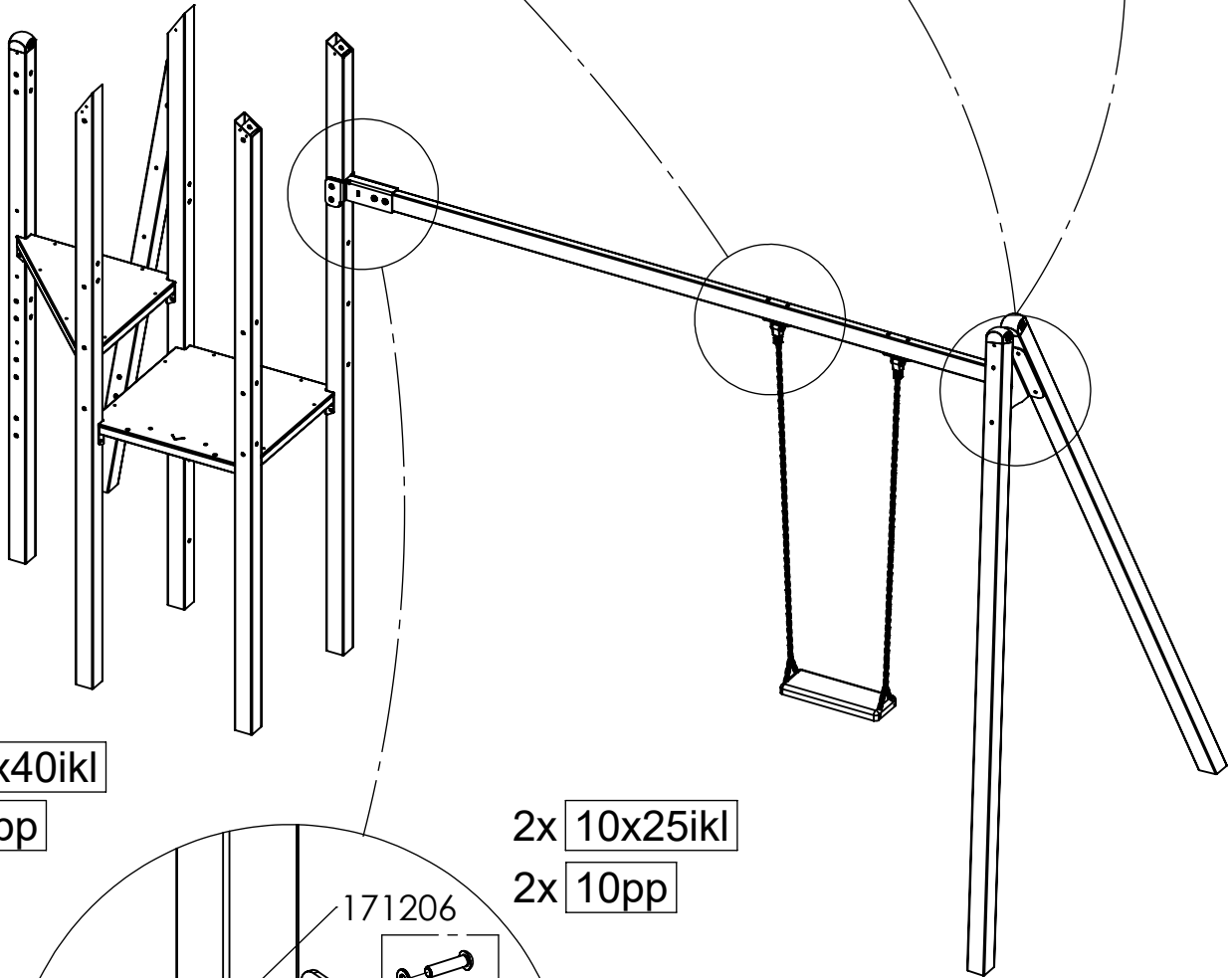
1x 17e062



1x 17e060



1x 17e064

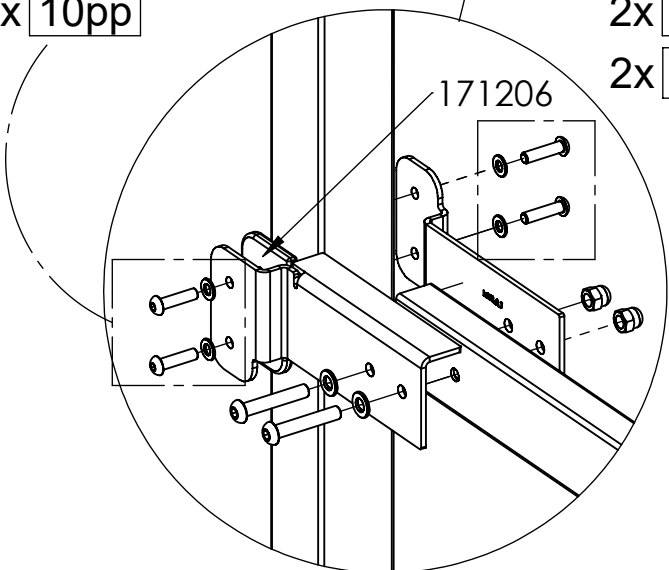


2x 10x40ikl

2x 10pp

2x 10x25ikl

2x 10pp

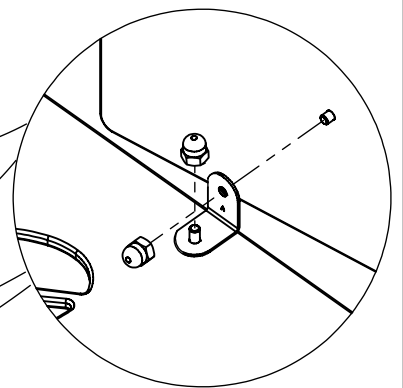
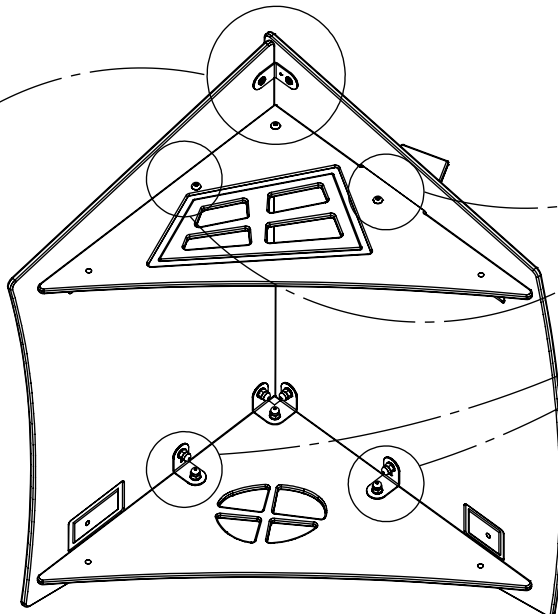
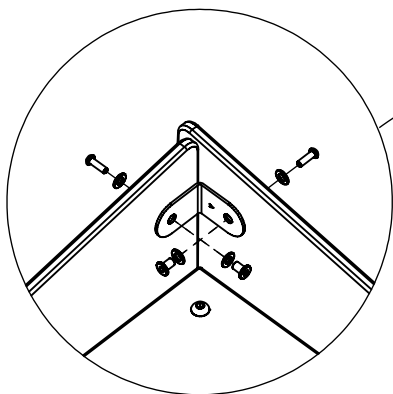
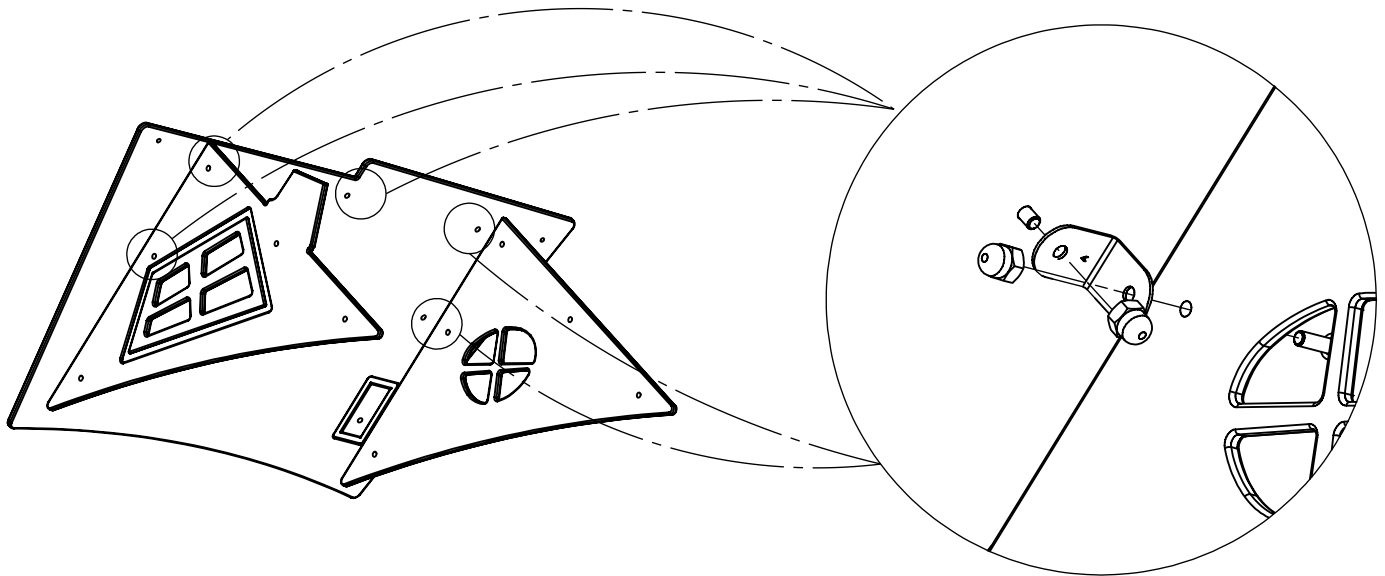
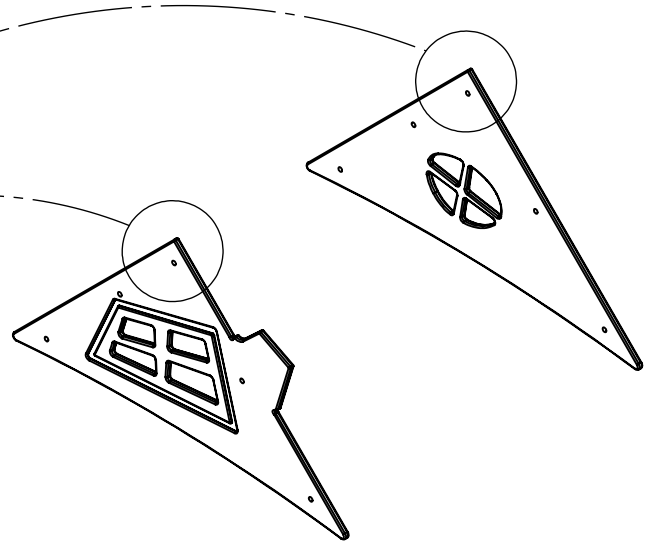
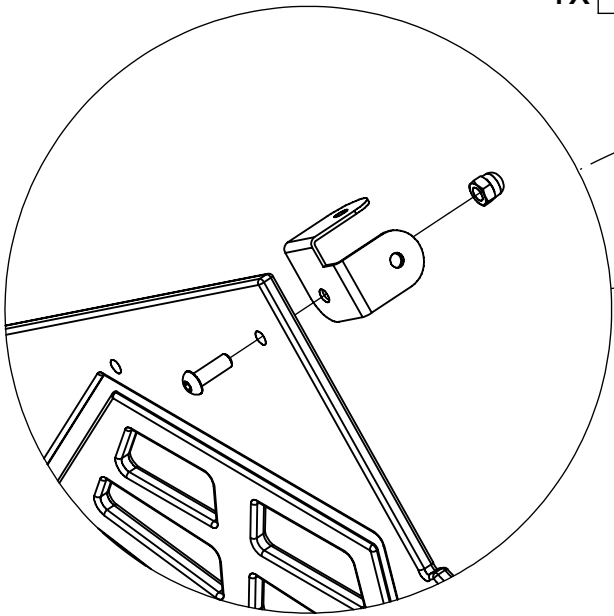


1x 17e061

[cm]

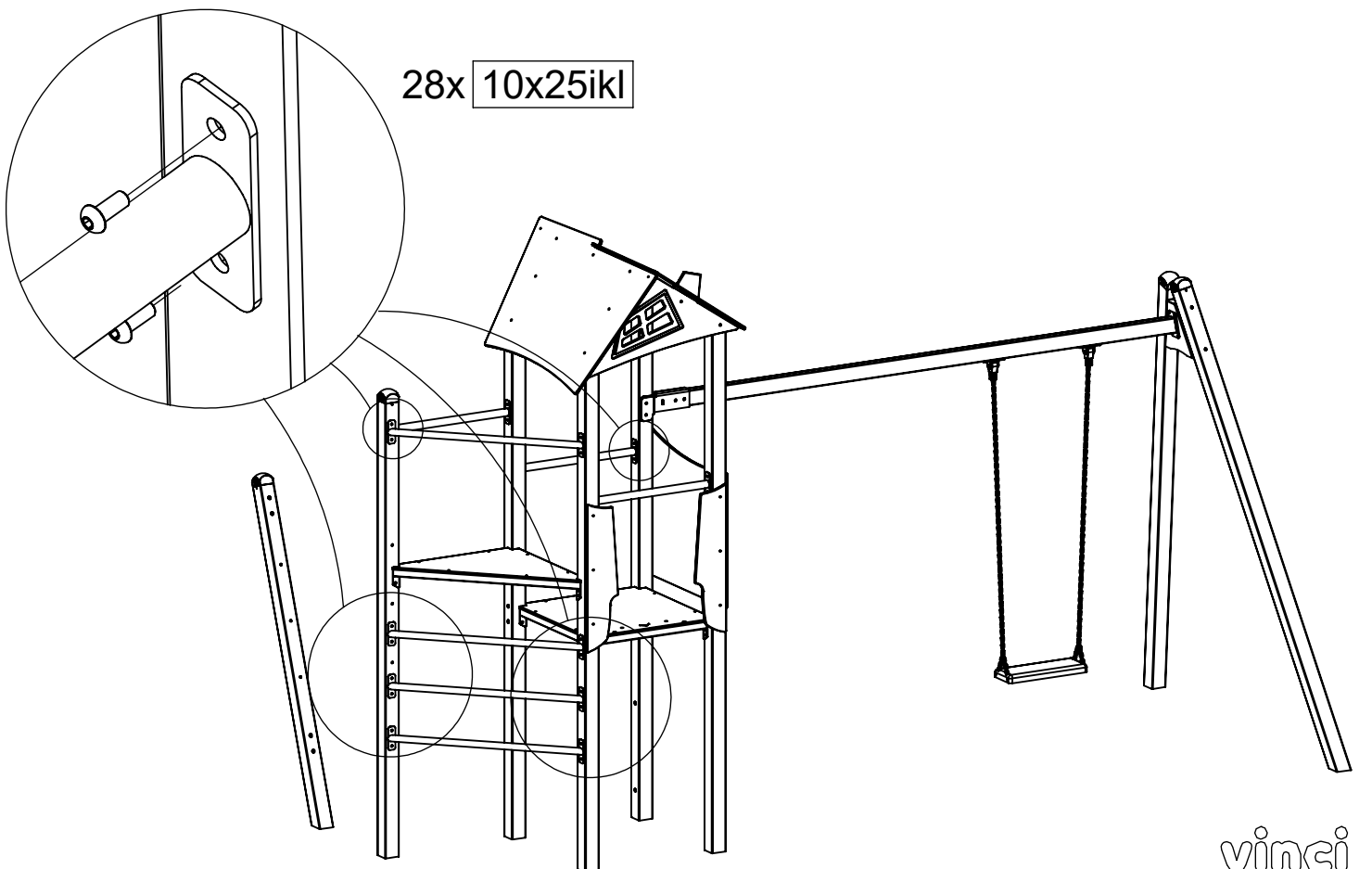
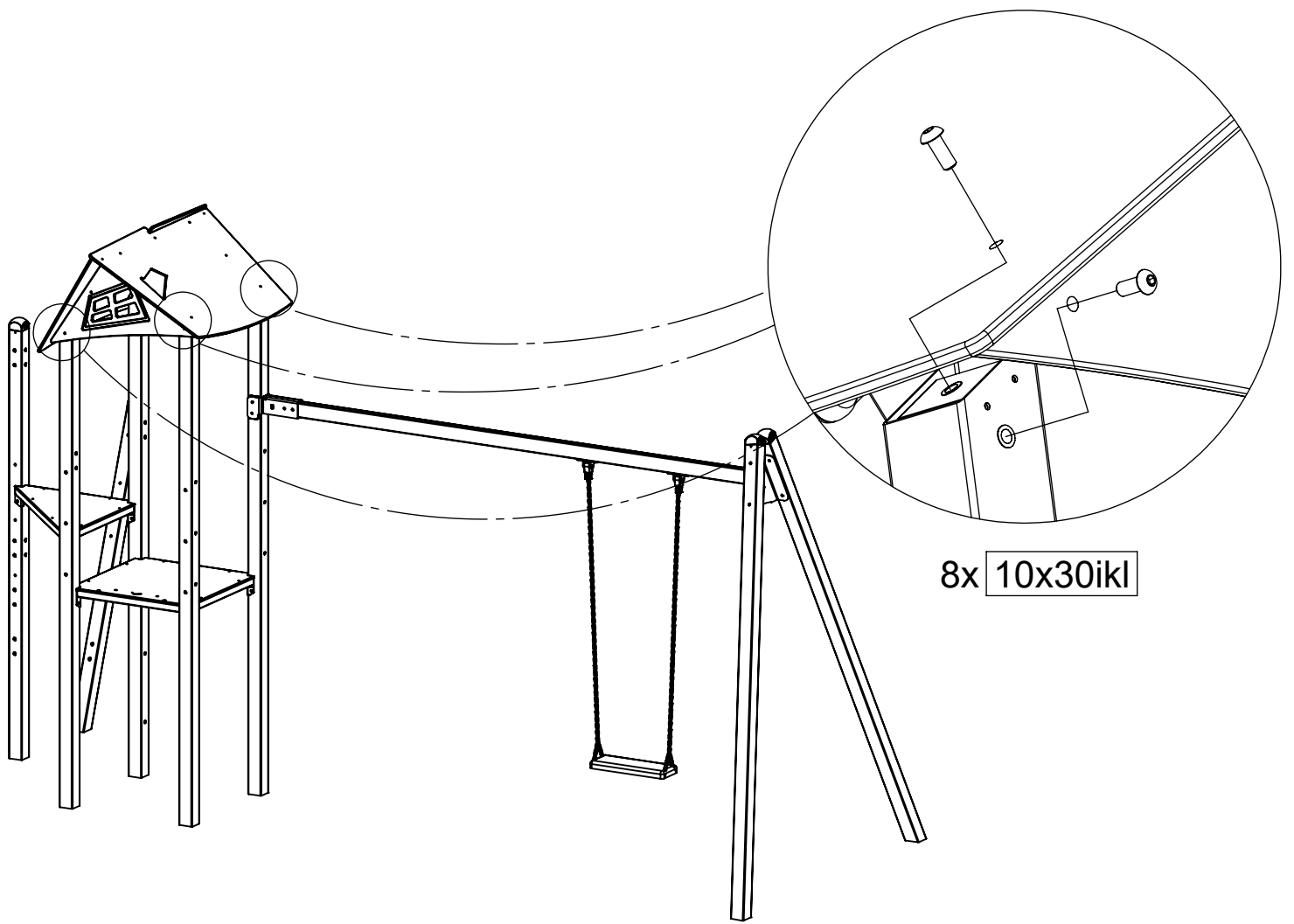
vinci  
play

1x 17c020



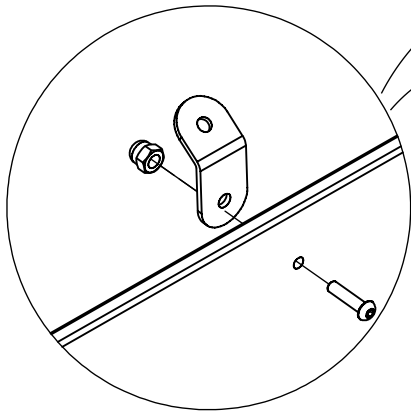
[cm]

vinci  
play

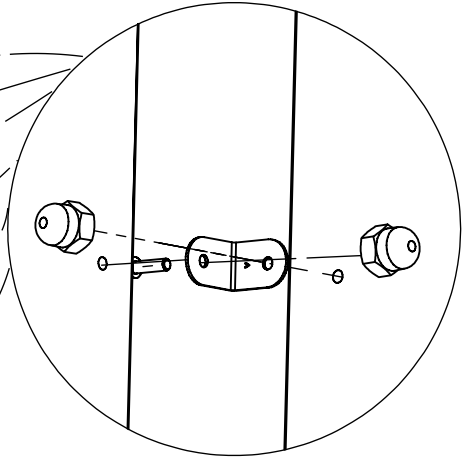
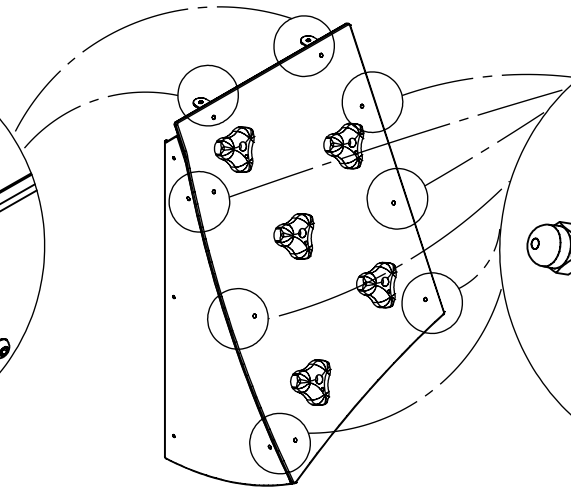


[cm]

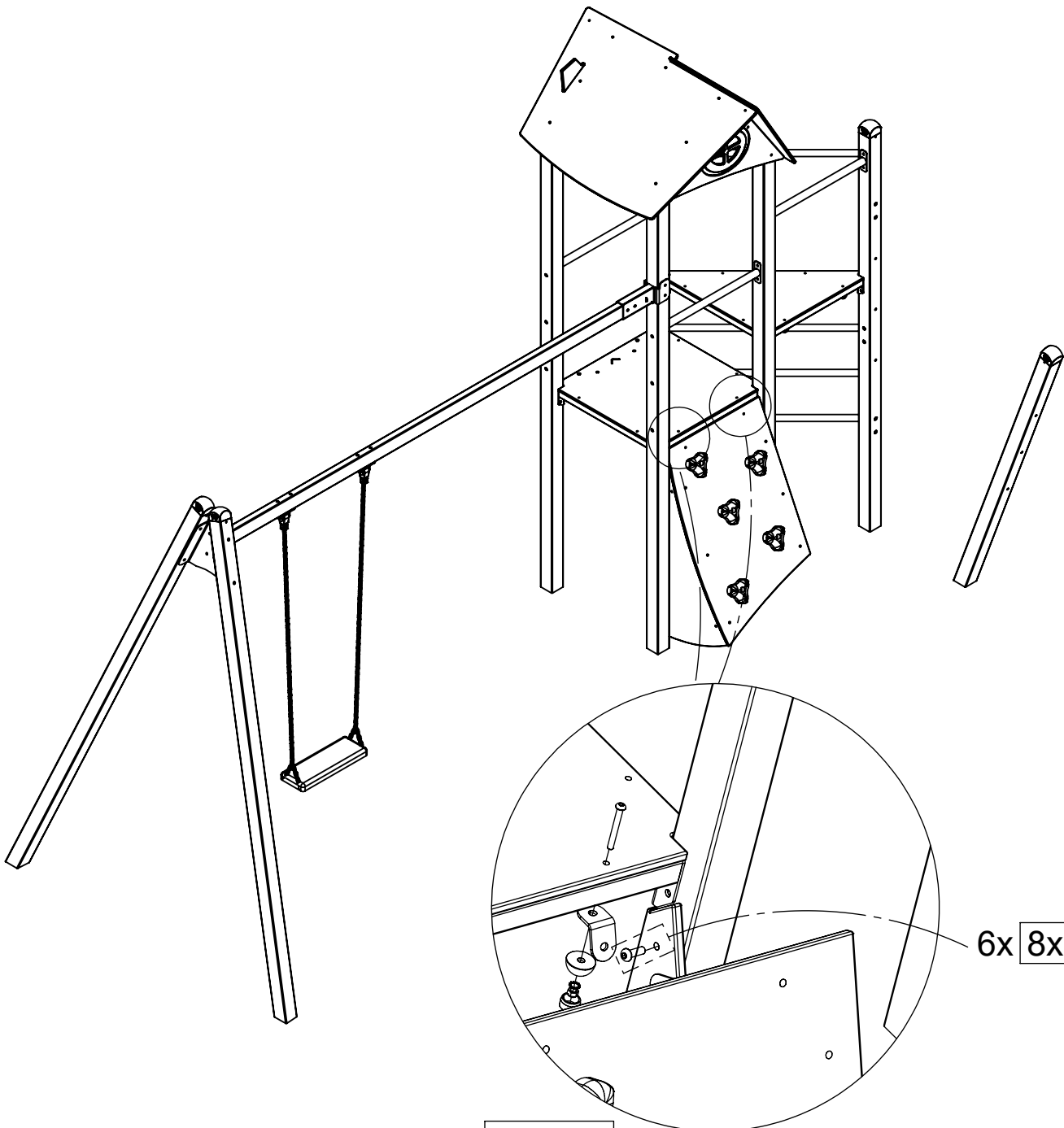
vinci  
play



1x 17p015



1x 17p013

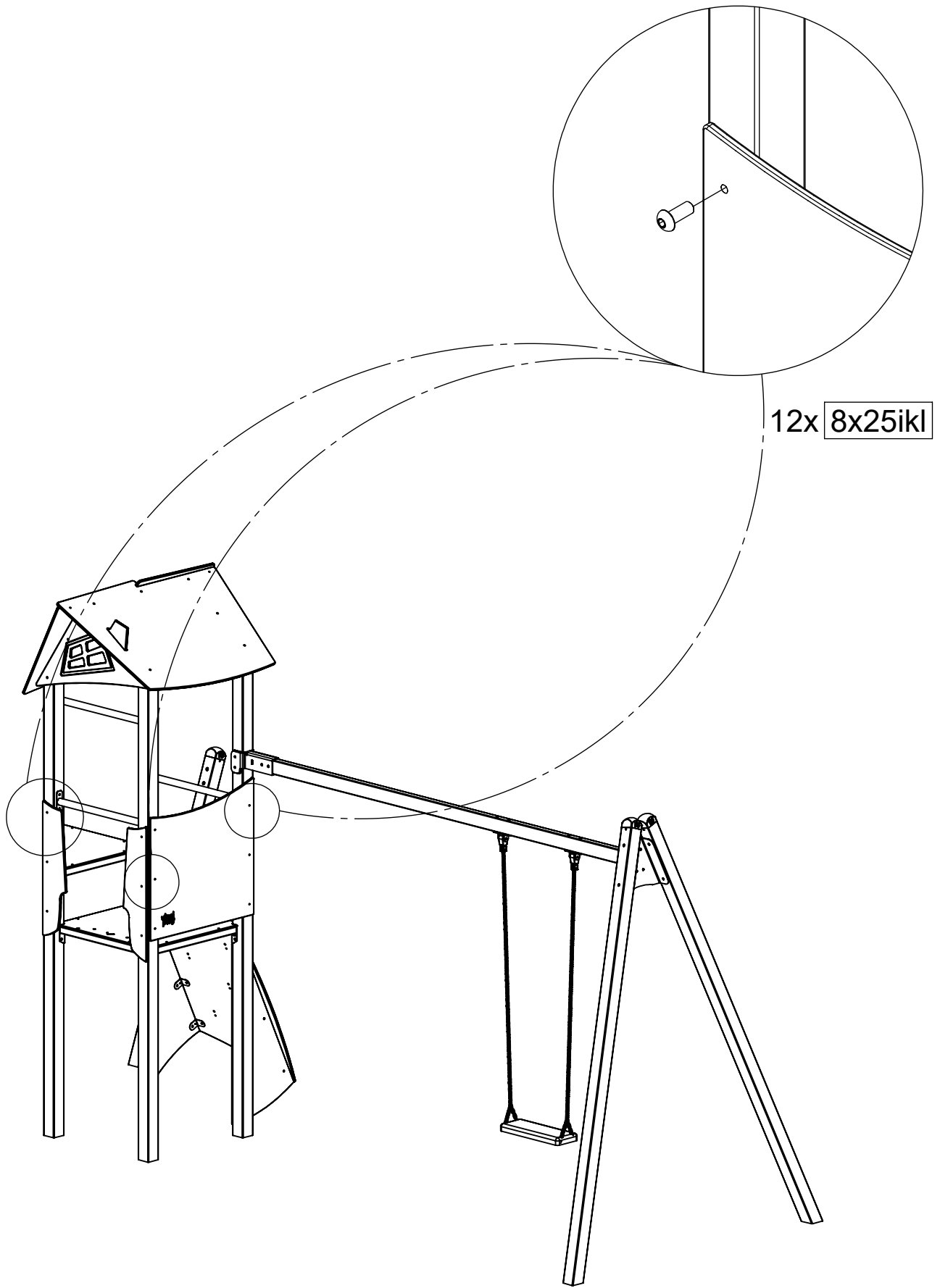


6x 8x25ikl

1x 17p021

[cm]

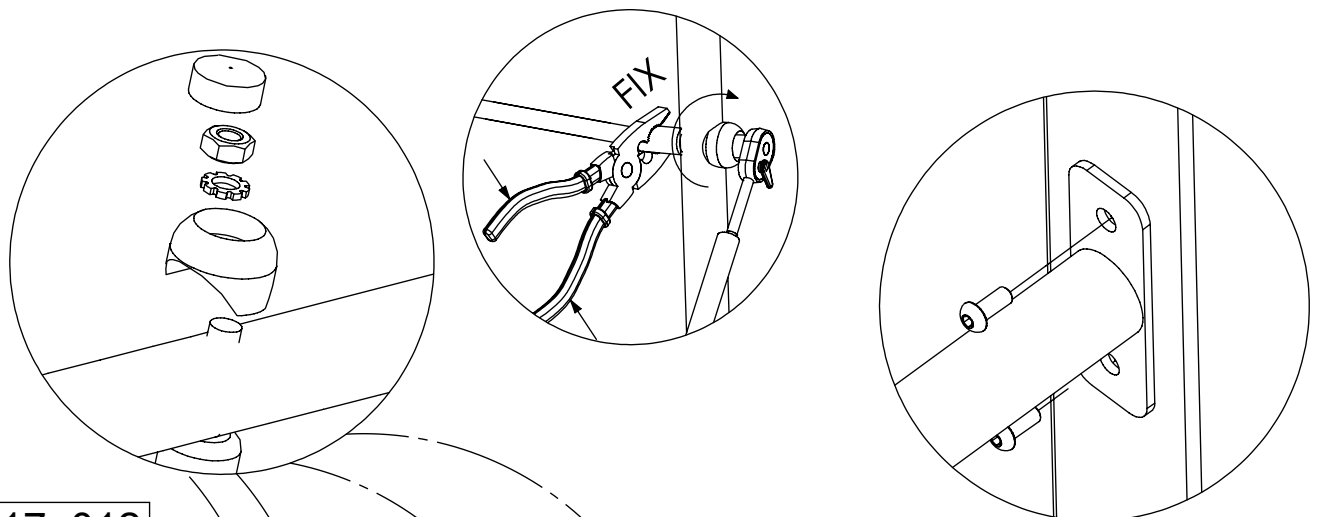
vinci  
play



12x 8x25ikl

[cm]

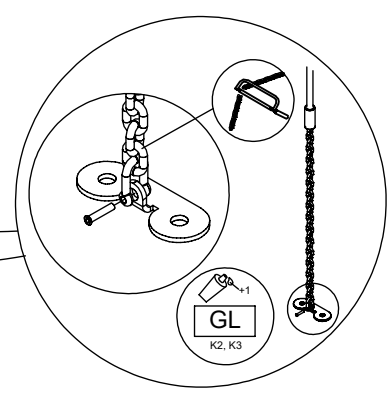
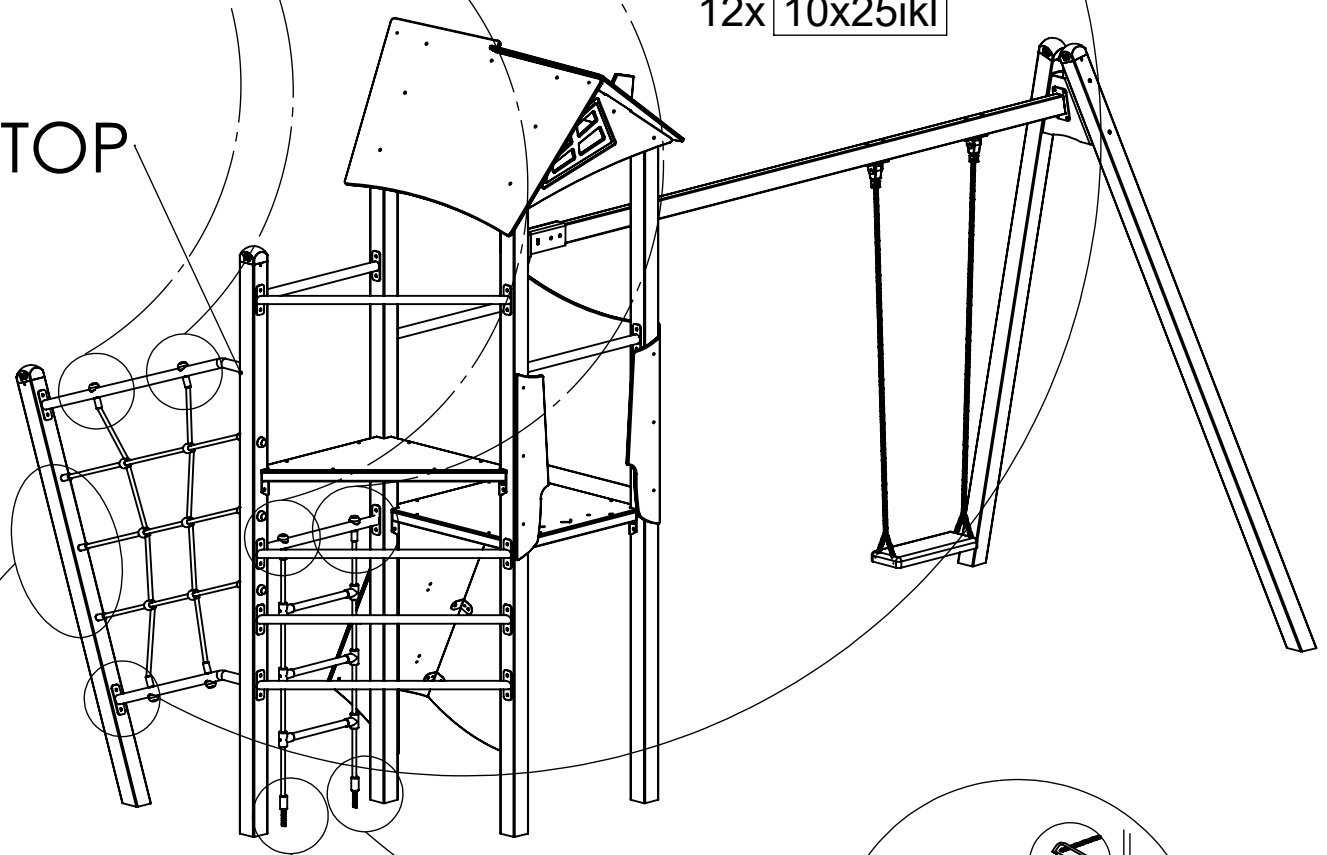
vinci  
play



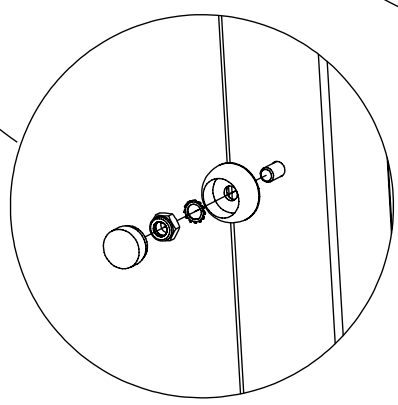
3x 17e012

12x 10x25ikl

TOP



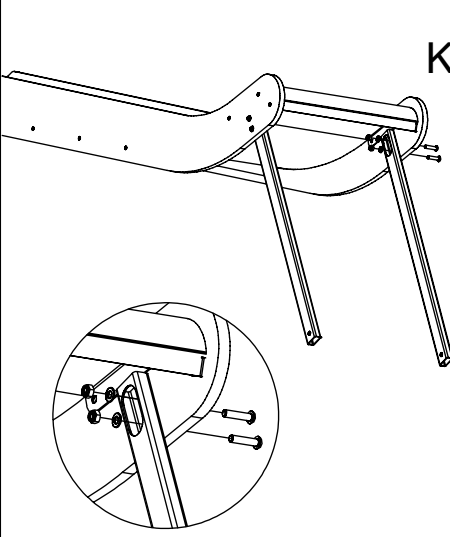
2x 17e052



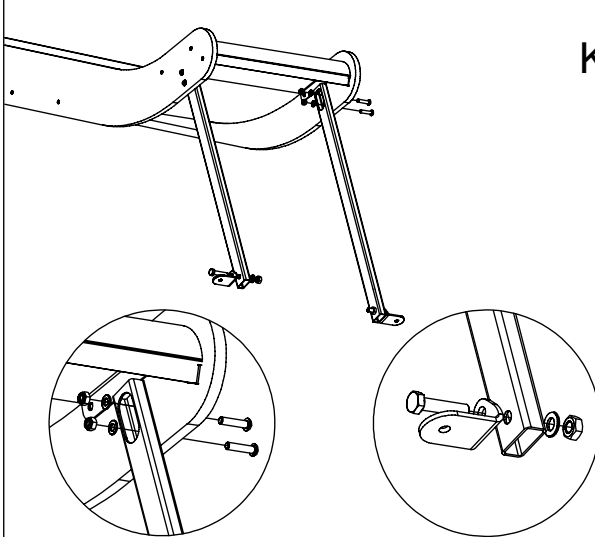
1x 17e004

[cm]

K1

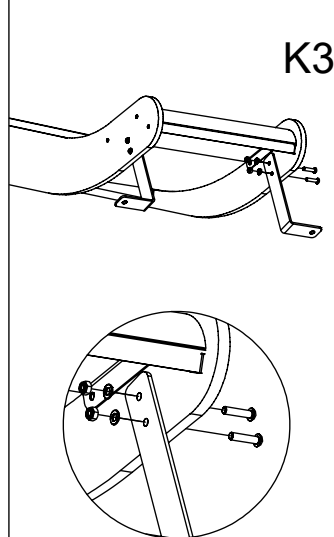


K2

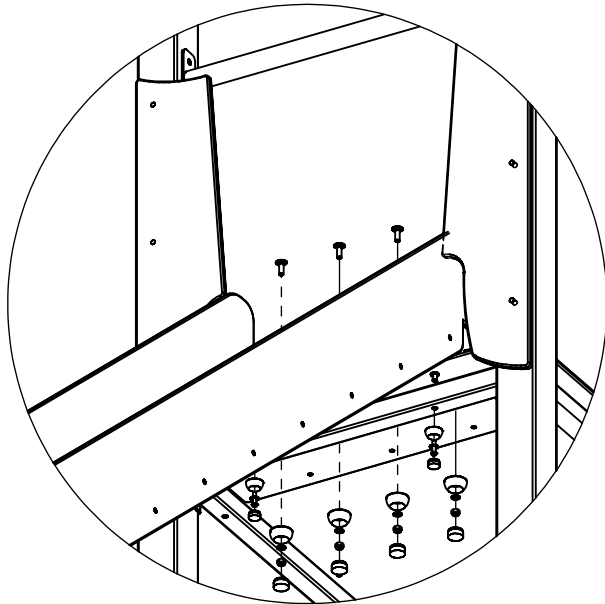


1x 17e035

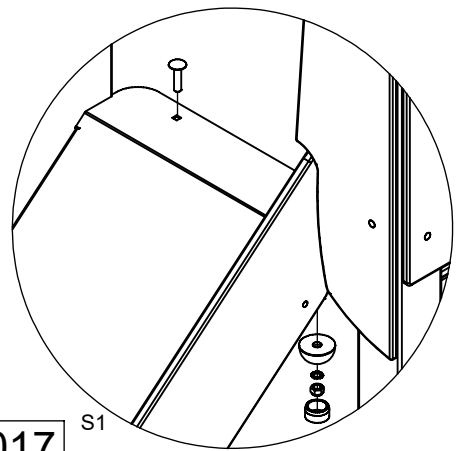
K3



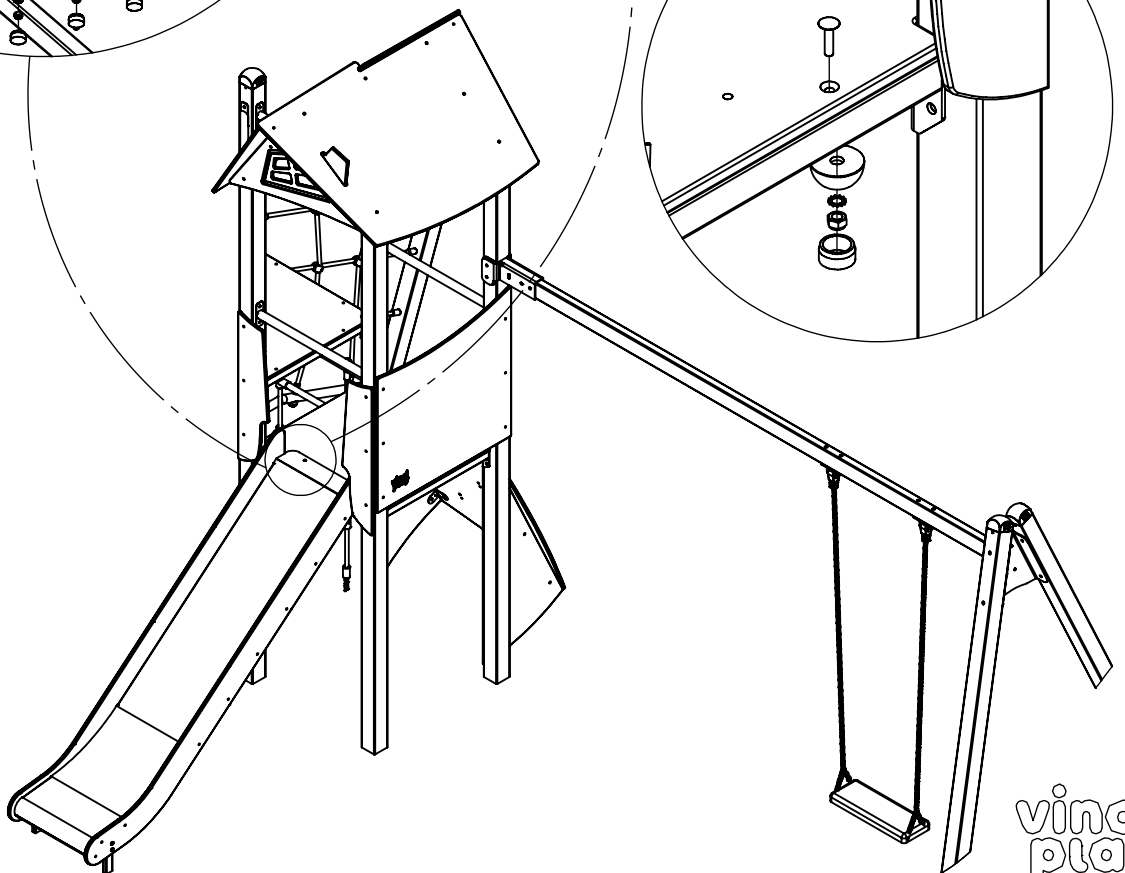
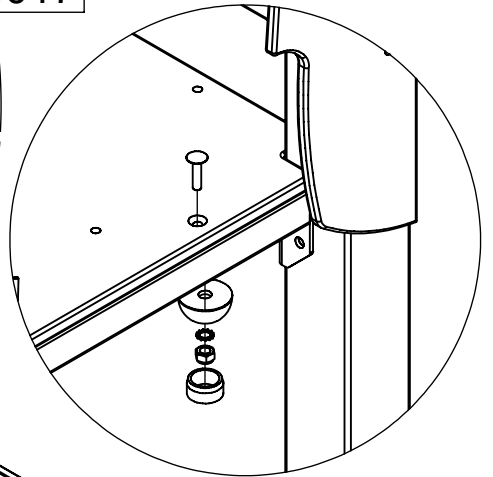
1x 17e034



1x 17p019 <sup>S6</sup>



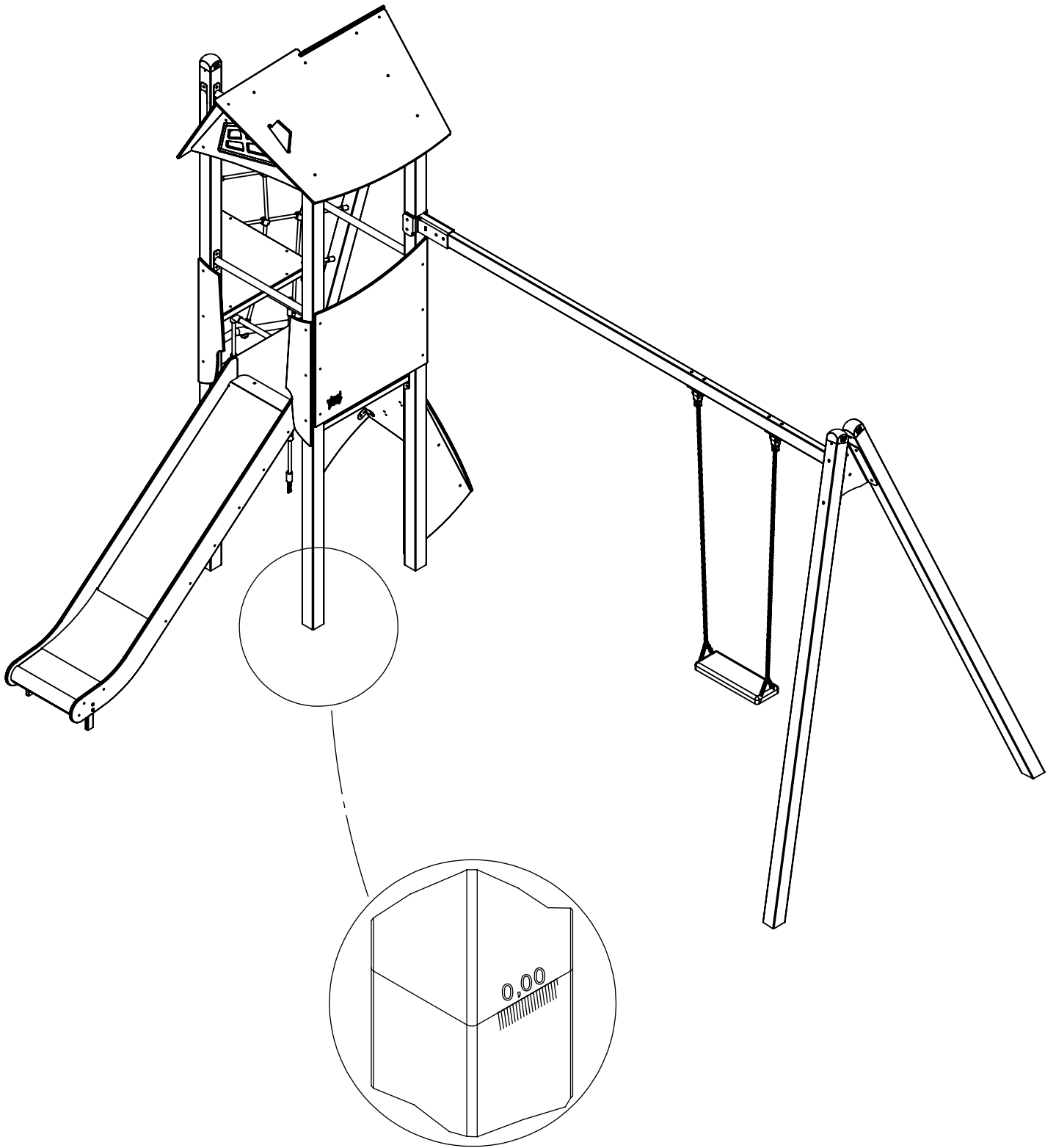
1x 17p017 <sup>S1</sup>



[cm]

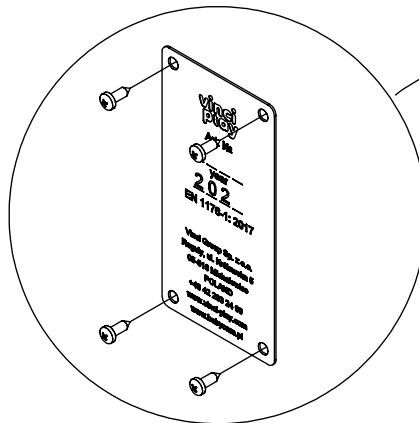
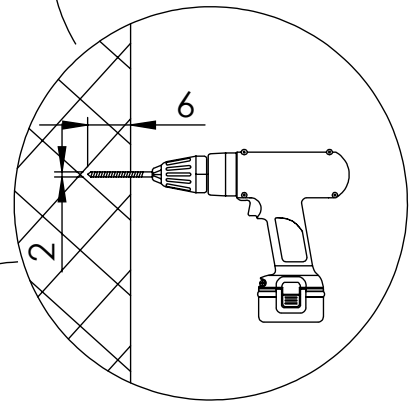
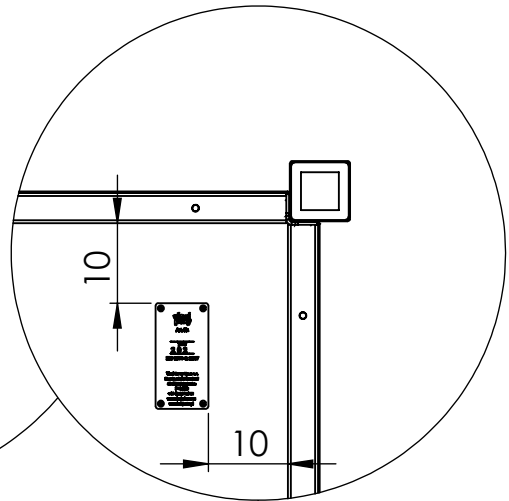
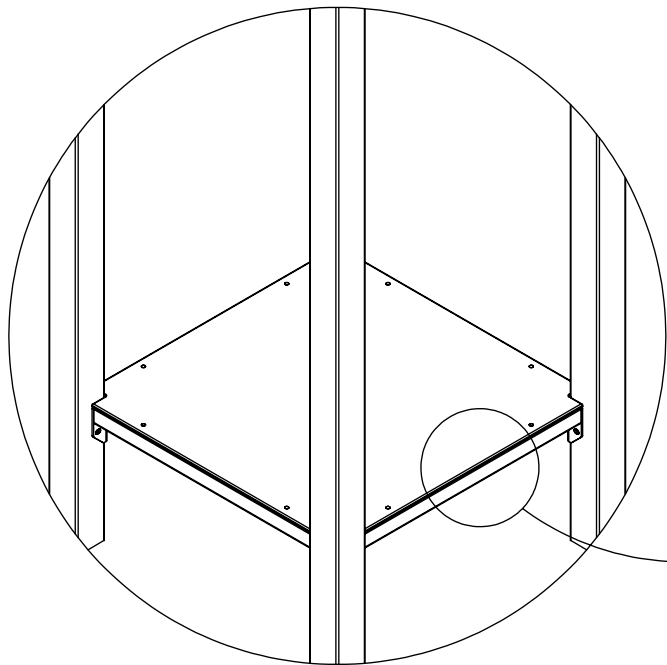
vinci play





[cm]

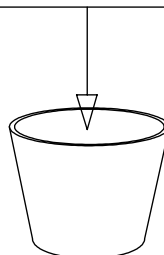
vinci  
play



V001

Part No:  
000000-  
00000

000000-00000



[cm]

vinci play