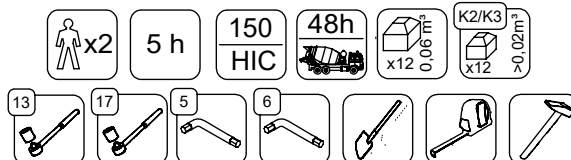
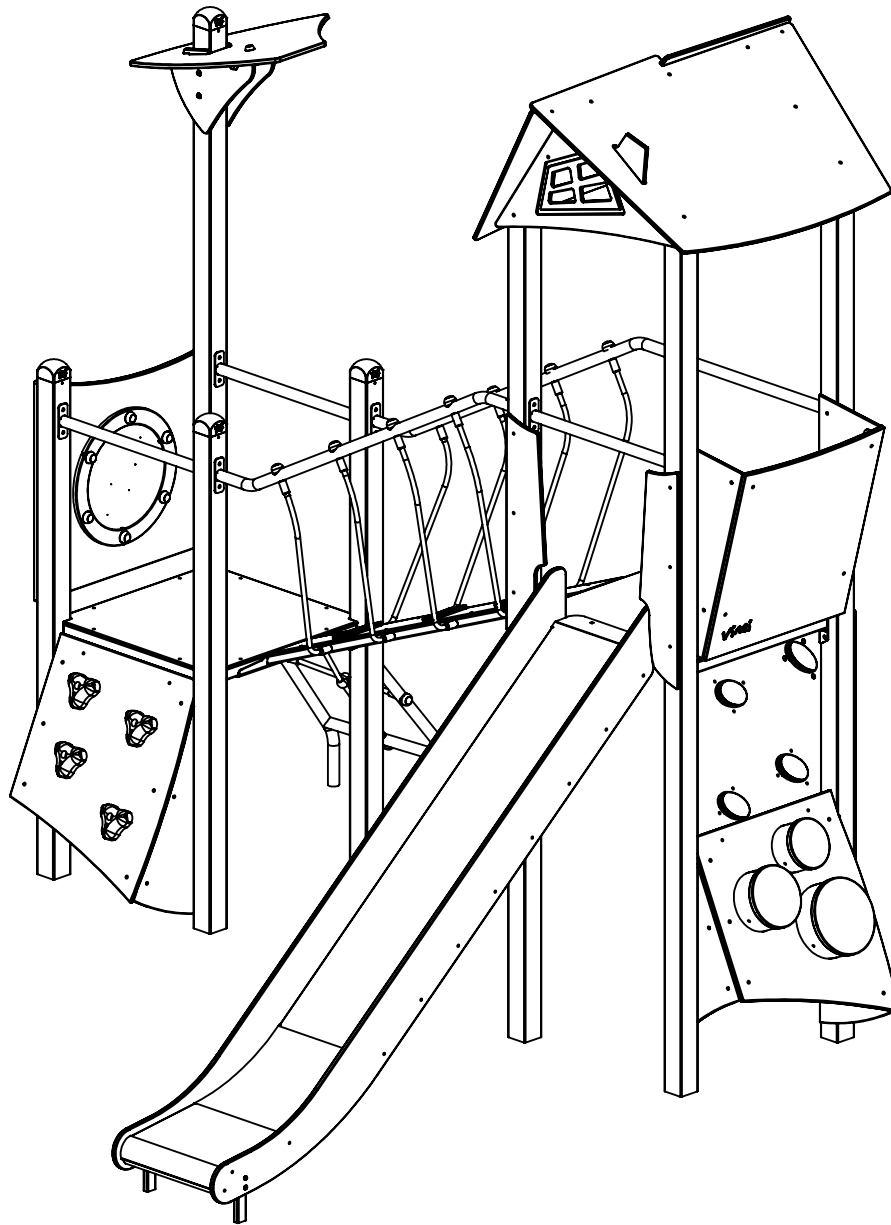


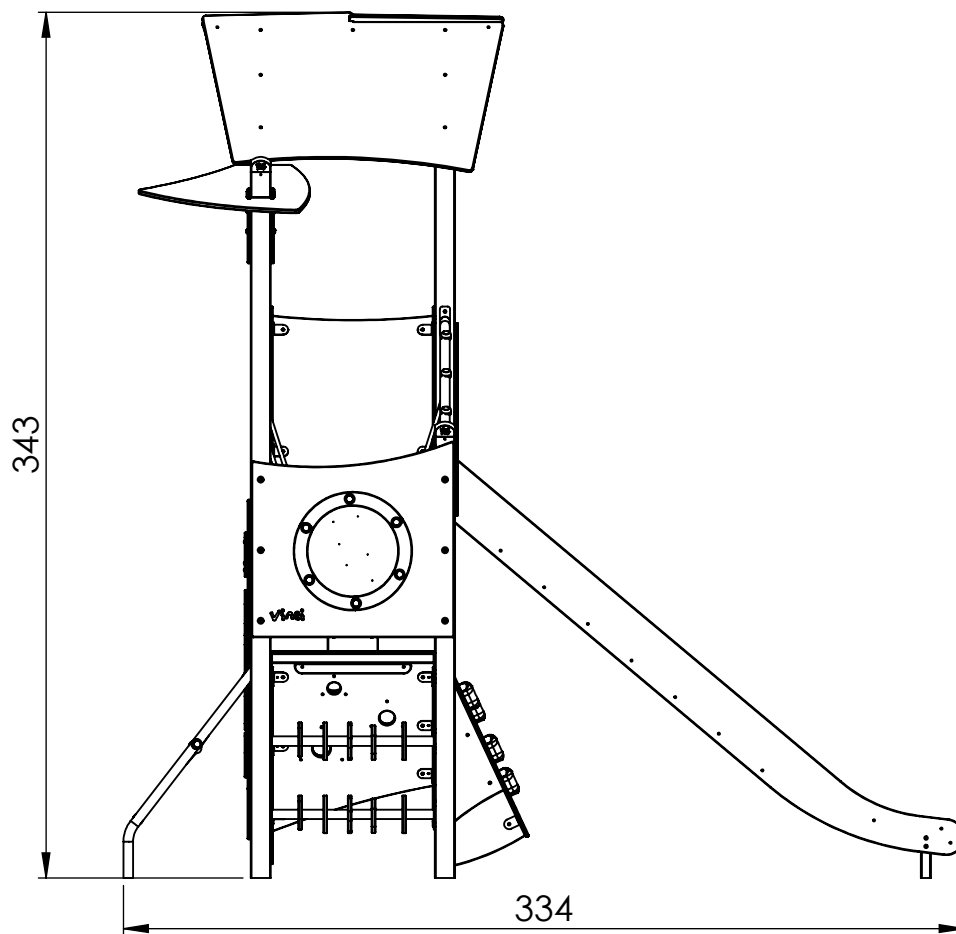
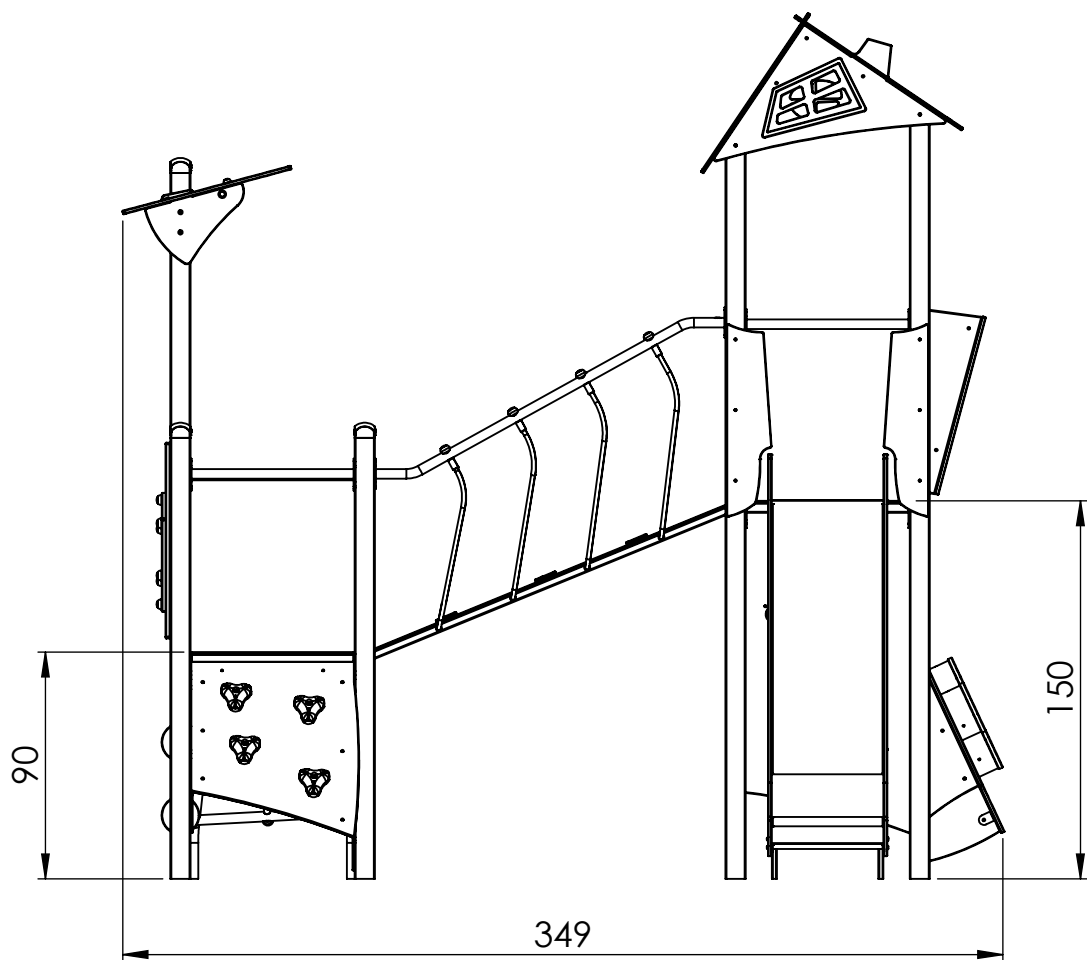
1707



[cm]

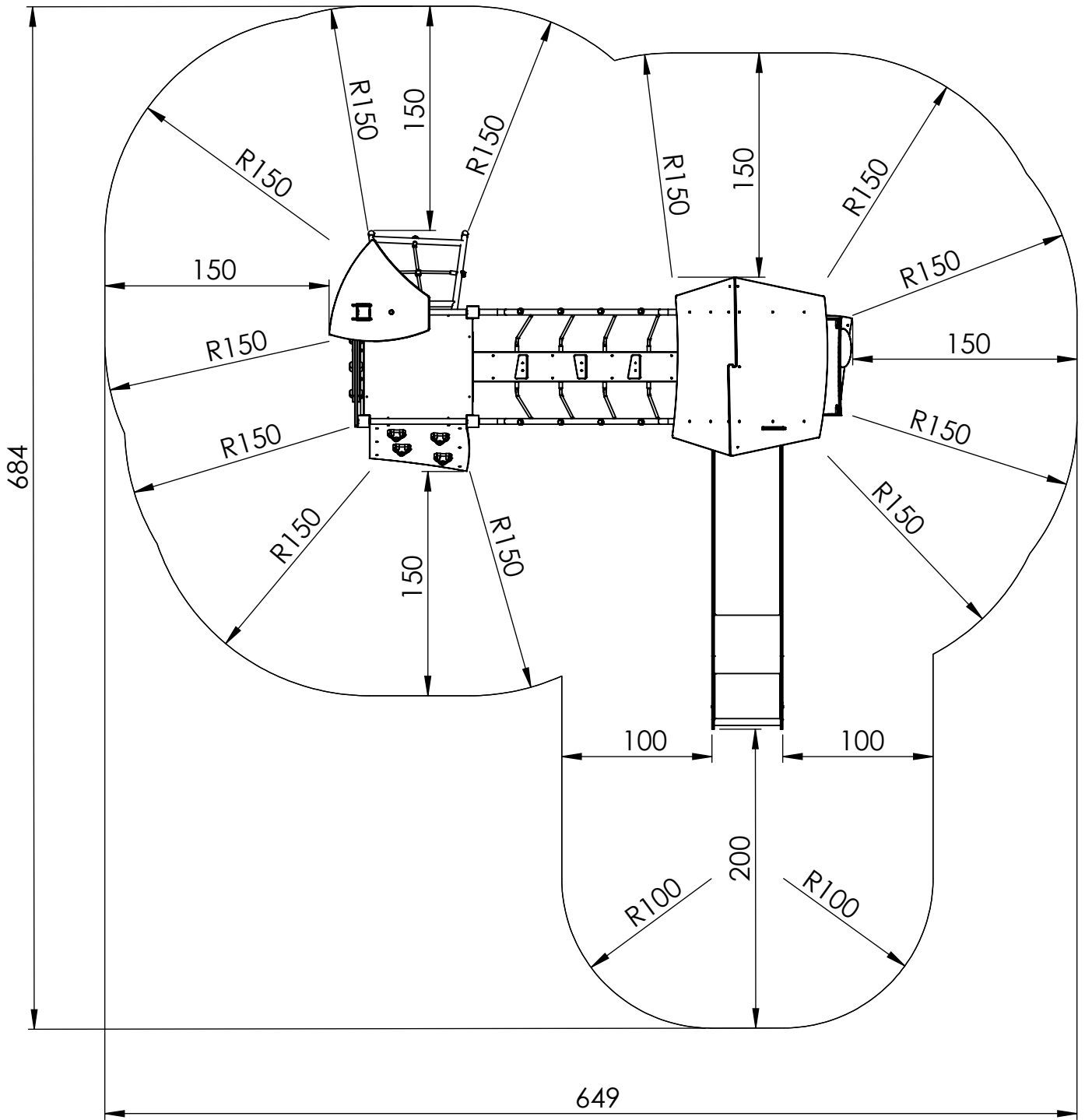
v012 / 18.02.2021
D.P.

vinci
play

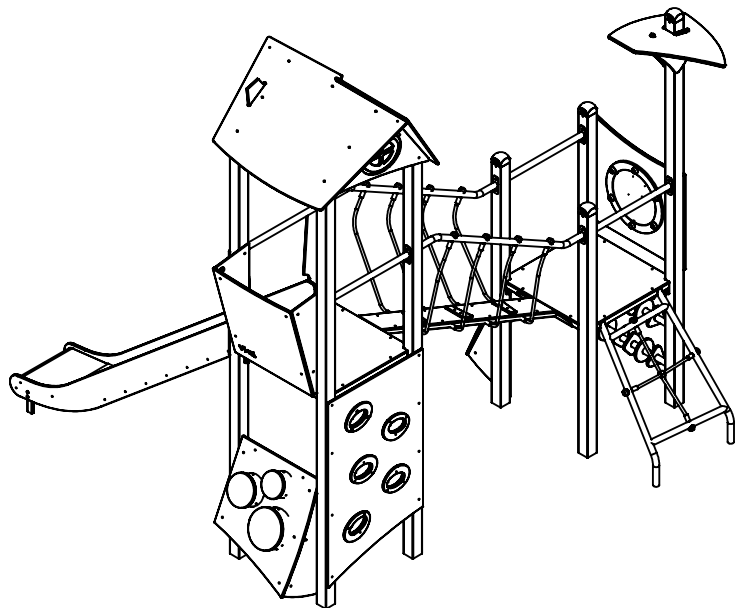
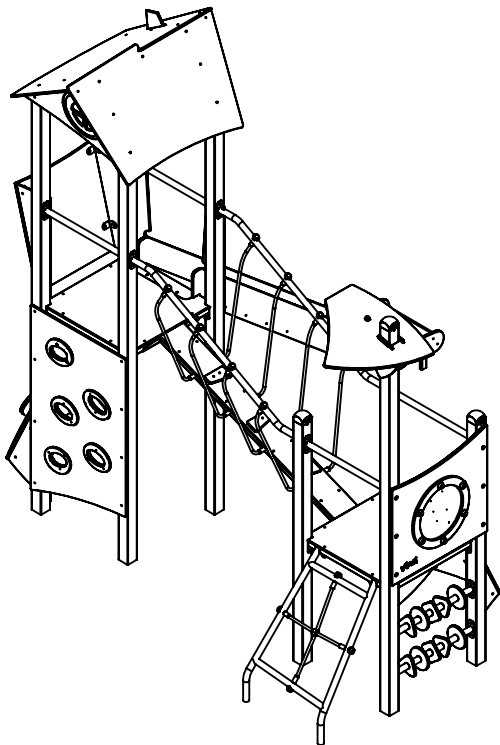
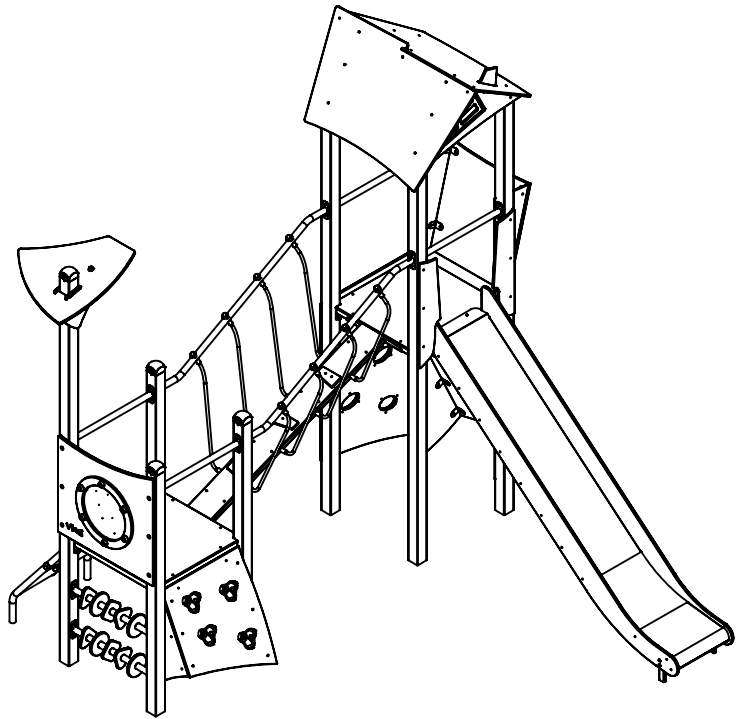
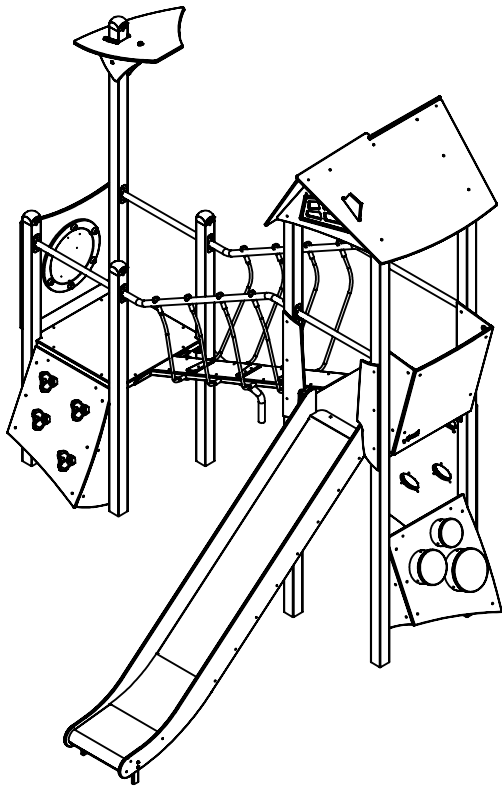


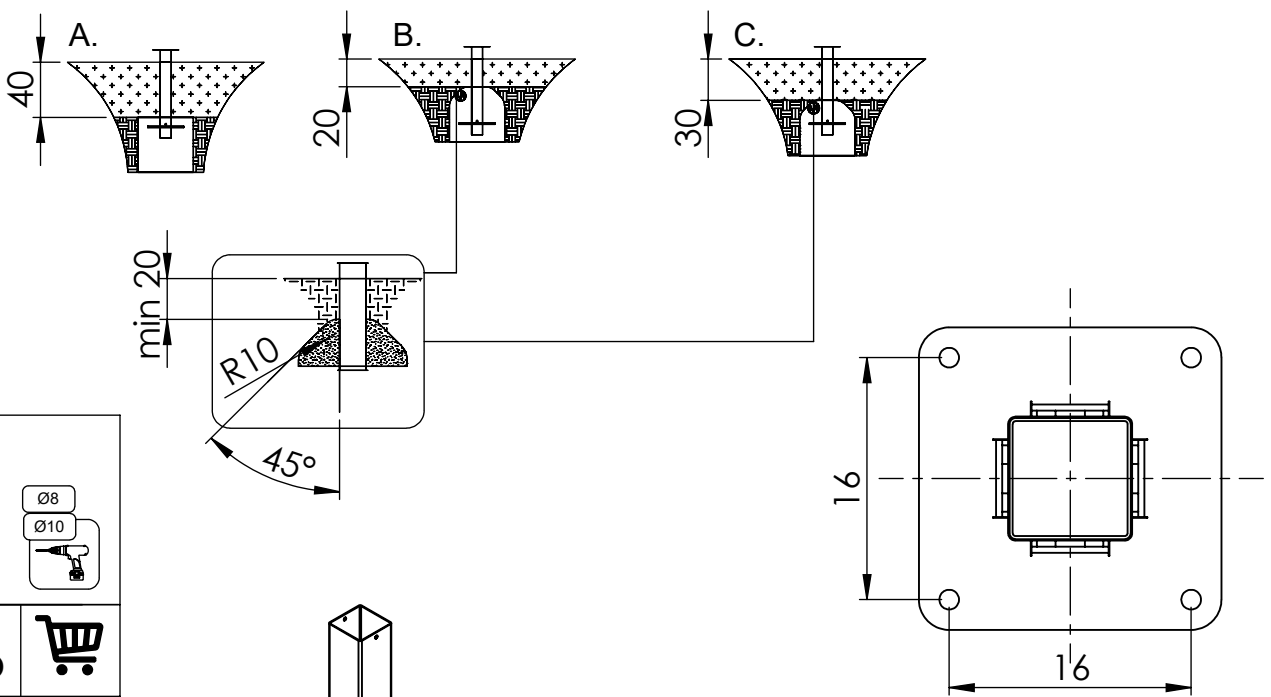
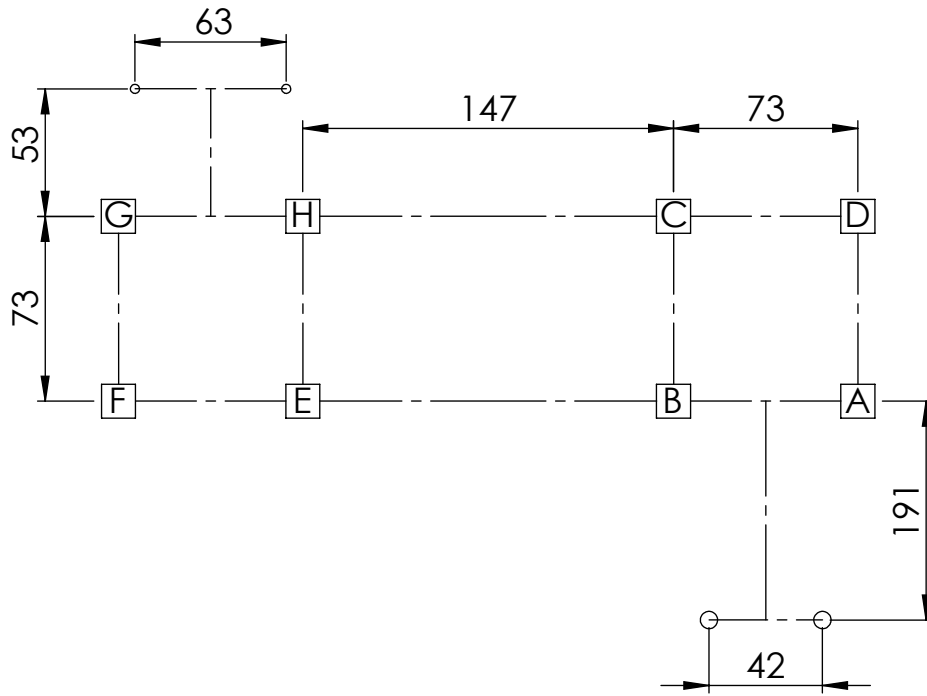
[cm]

vinci
play



[cm]





K2

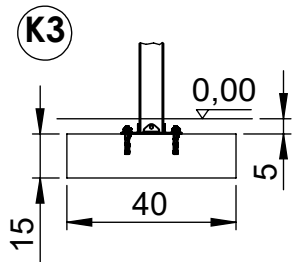
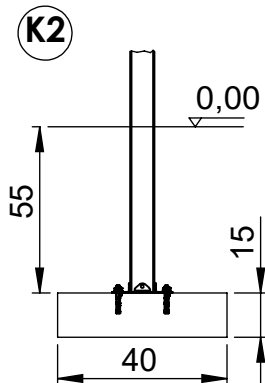
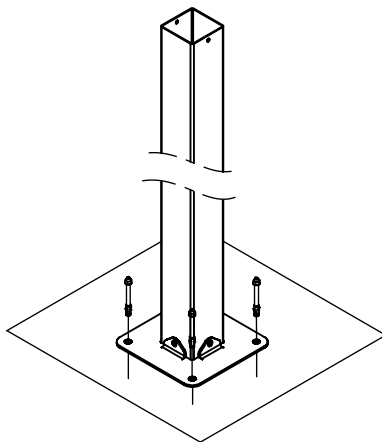
M10x120 x32
M8x120 x2

NOT INCLUDED

K3

M10x120 x34

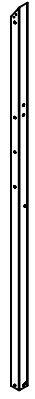
NOT INCLUDED



[cm]



1707A
x1



1707B
x1



1707C
x1



1707D
x1



1707E
x1



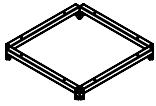
1707F
x1



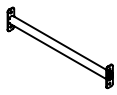
1707G
x1



1707H
x1



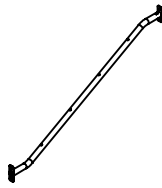
172100
x2



142117
x4



144126
x2



142132
x2

S1



171122
x1

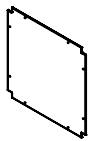
S6



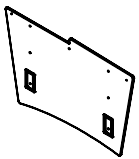
171234
x1



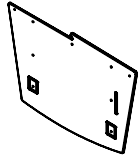
171233
x1



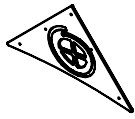
171123
x1



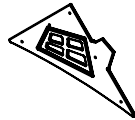
171100
x1



171101
x1



171102
x1



171103
x1



171115
x2



171113
x1



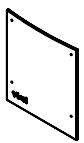
021146
x2



021149
x1



141137
x2



171104
x1



141107
x1



141145
x3



145130
x2



145131
x2



145132
x2



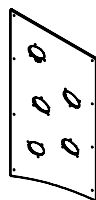
145133
x2



171117
x2



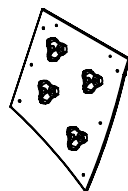
171118
x2



171151
x1



171152
x5



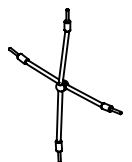
171140
x1



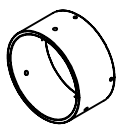
174116
x1



171112
x2

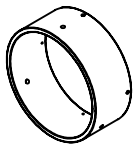


145113
x1



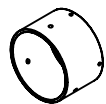
996228

x1



996229

x1



996230

x1



171125

x1



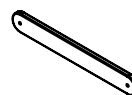
171126

x1



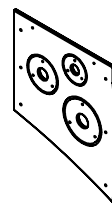
171127

x1



171146

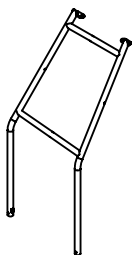
x1



171119

x1

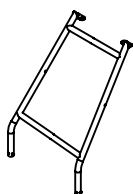
K1, K2



142106

x1

K3



142152

x1

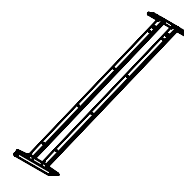
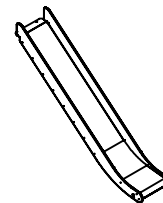
K2, K3

b231
x8

K1, K2

P78-3
x2

K3

b219-2
x2142120
x1994105
x1

Qty.	ST/INOX
32	10 pp**
32	10 nh**
32	10x20 m**
52	10x25 ikl
12	10x30 ikl
16	10 pp
26	8x25 ikl
6	8x30 ikl
1	17e034***
1	17e035*
1	17e022**
3	17e014
1	17e036
1	V001

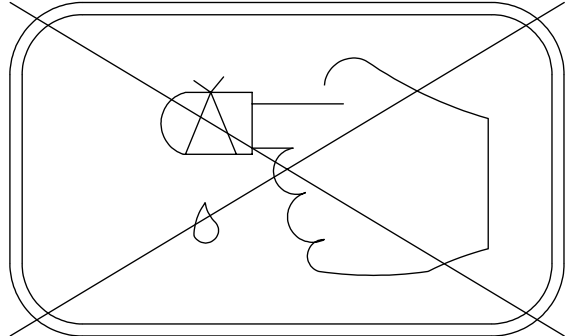
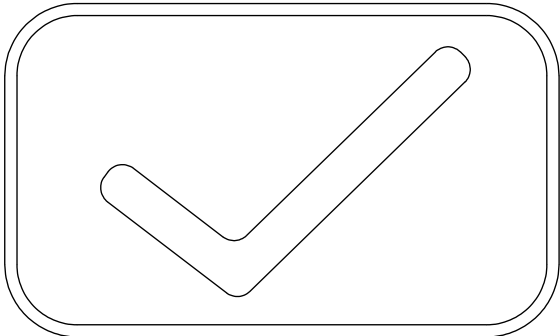
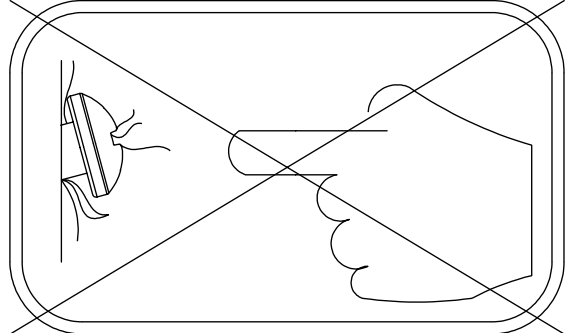
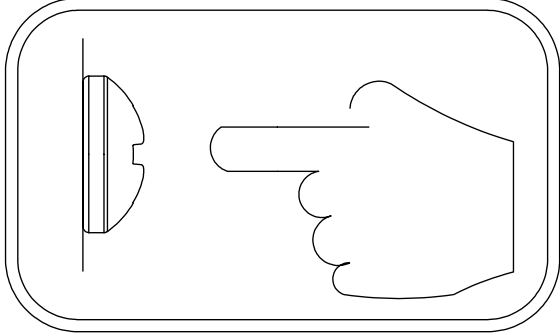
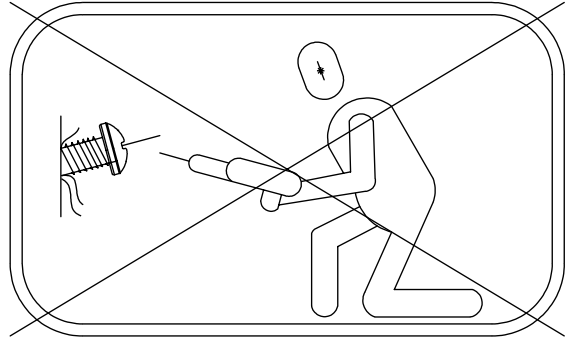
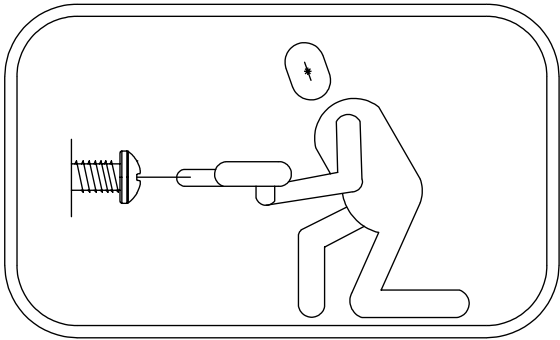
Qty.	HDPE
1	17c012
1	17c018
1	17c020
1	17c026
1	17c032

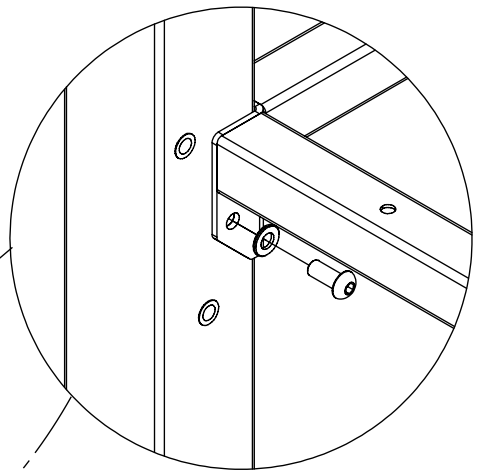
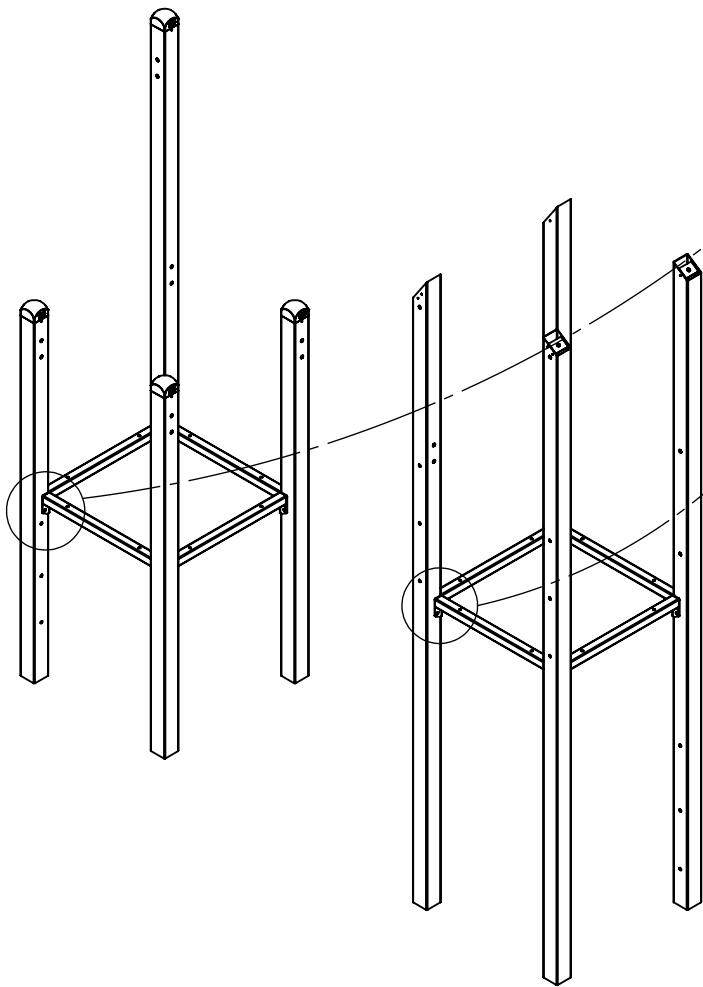
Qty.	HPL
1	17p001
1	17p003
1	17p015
1	17p017(s1)
1	17p019(s6)
2	17p021
1	17p023
5	17p039
1	17p045
1	17p047
1	17p051
1	17p061(s6)

*K2

**K2, K3

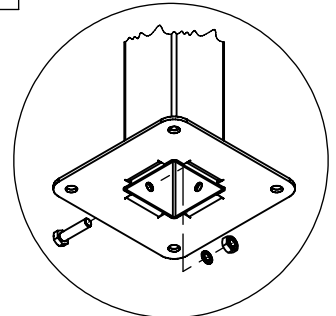
***K1, K3



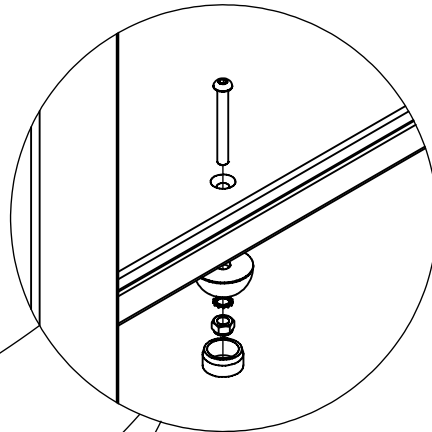
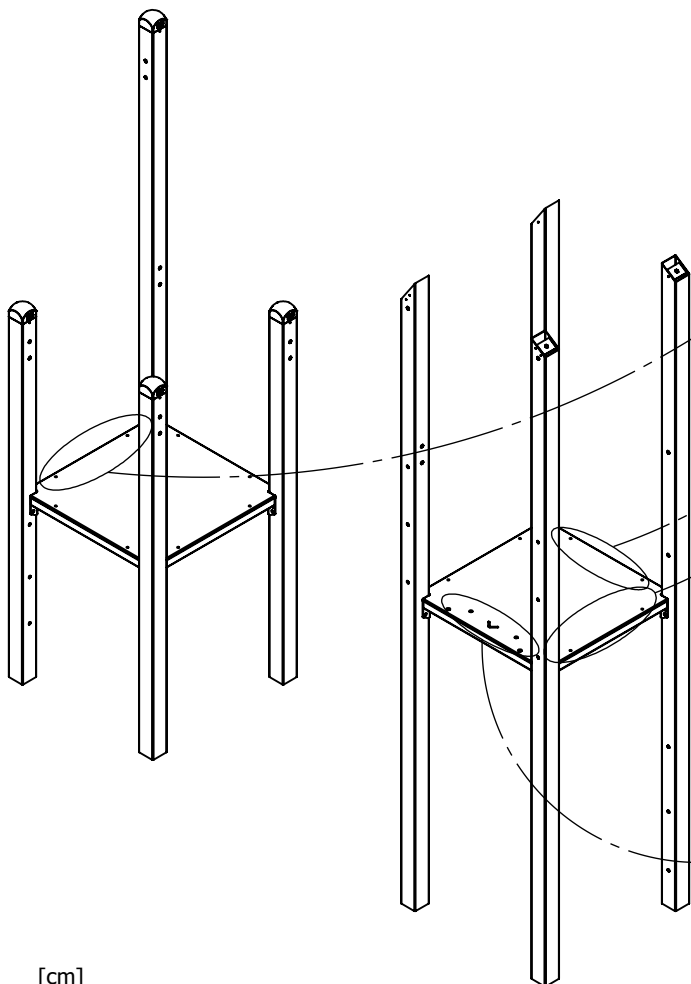


16x 10x25ikl
16x 10pp

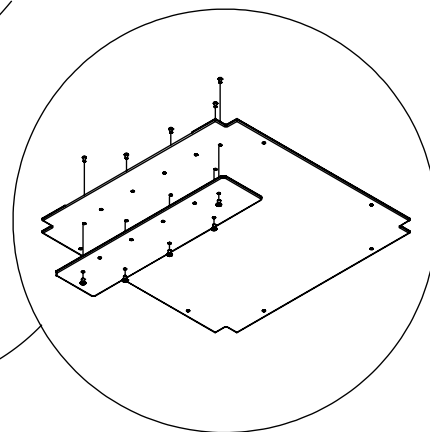
K2, K3



32x 10x20m
32x 10pp
32x 10nh



1x 17p001
1x 17p003

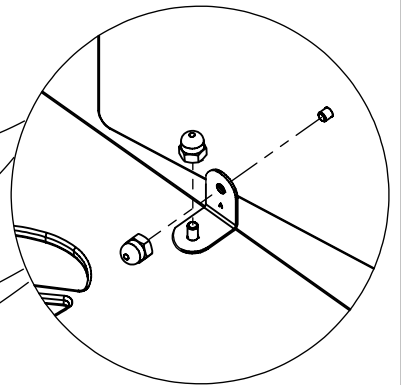
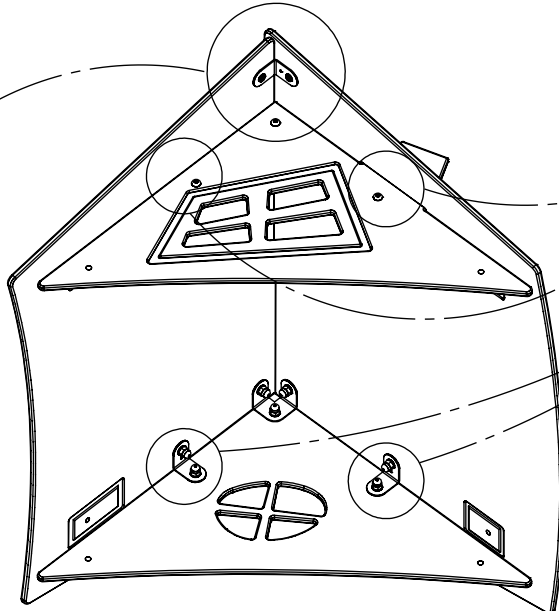
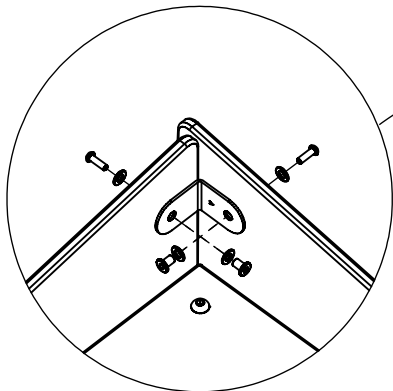
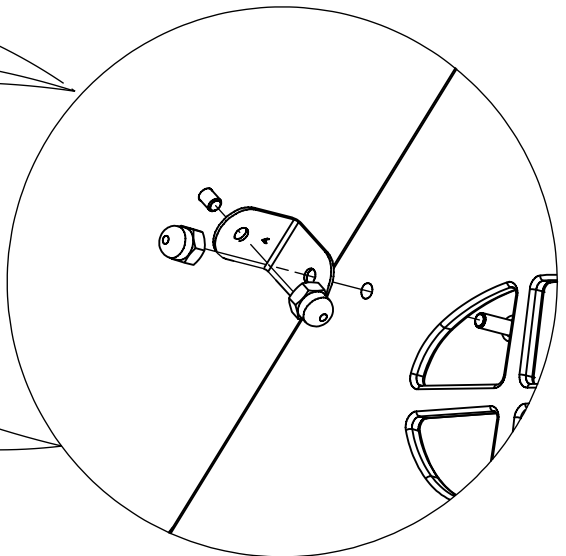
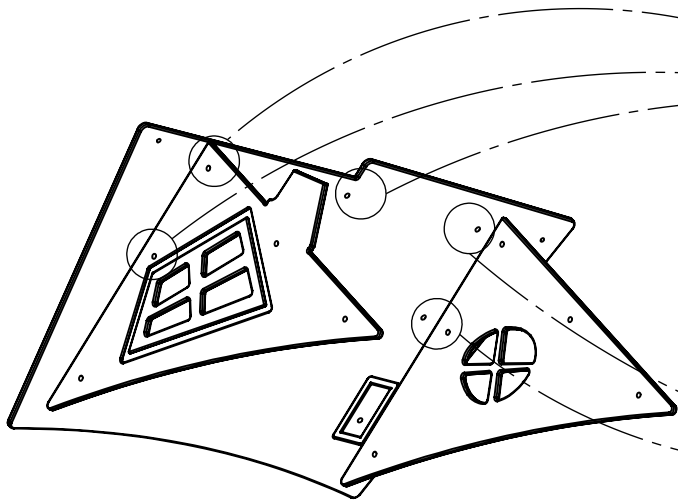
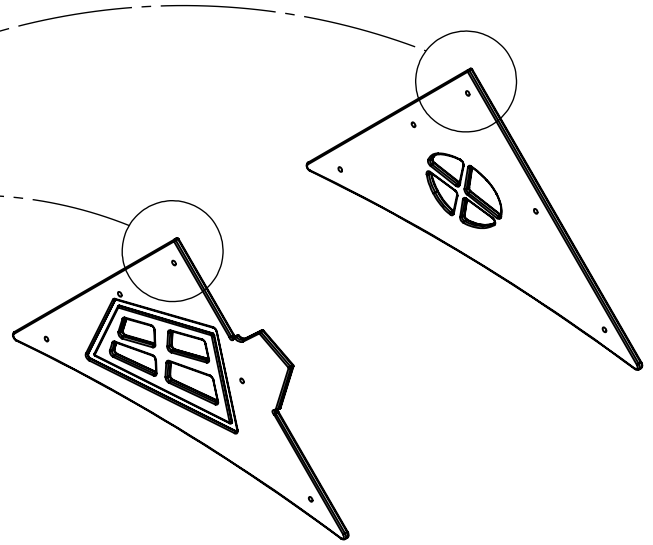
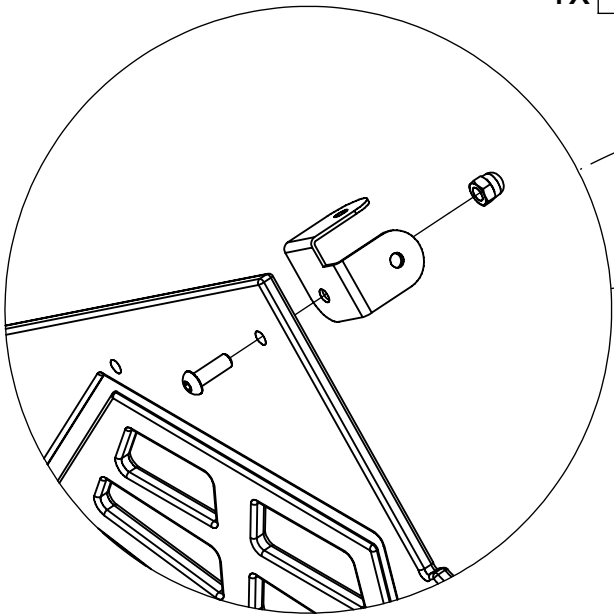


1x 17p061 S6

[cm]

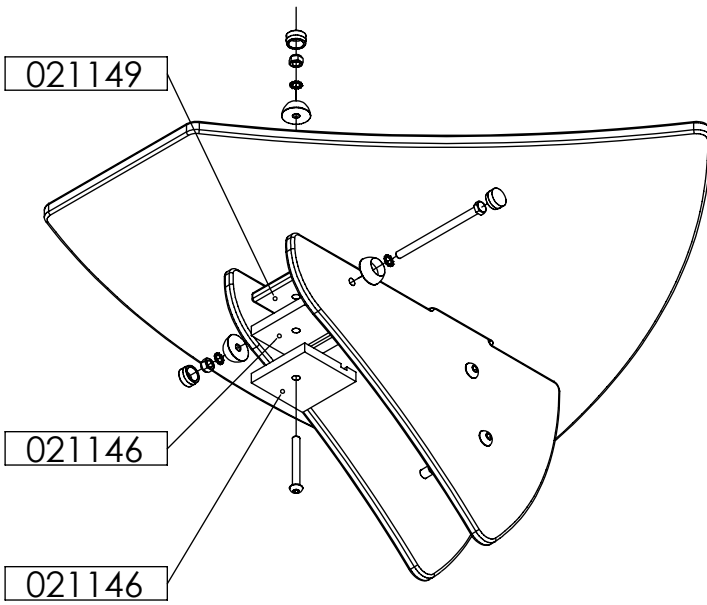
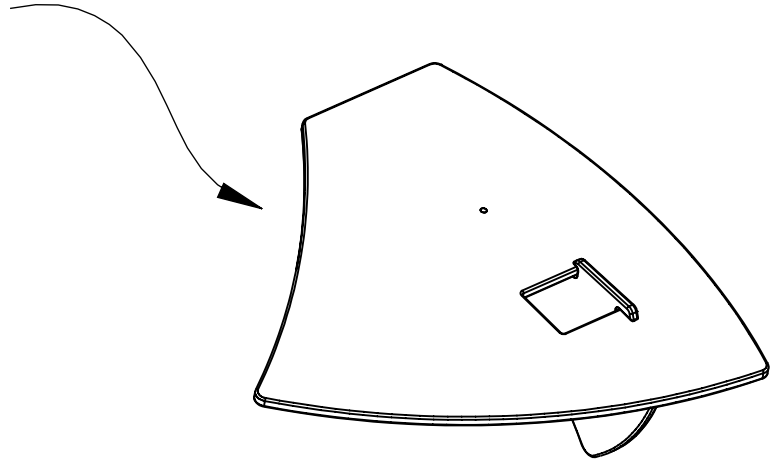
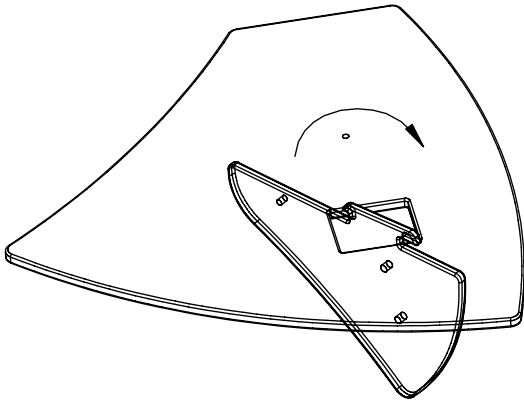
vinci
play

1x 17c020

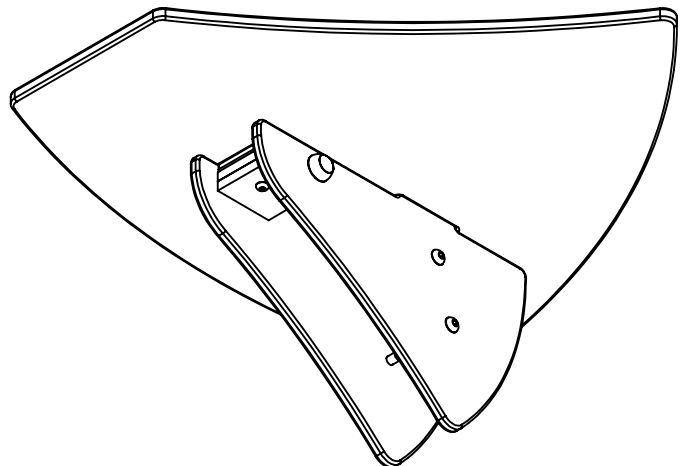


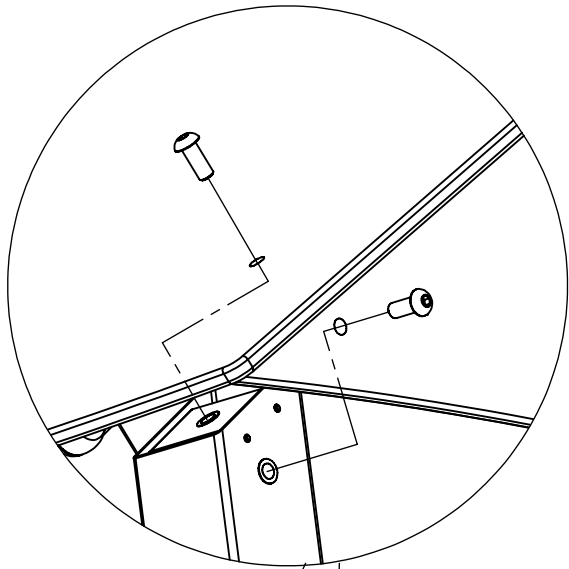
[cm]

vinci
play

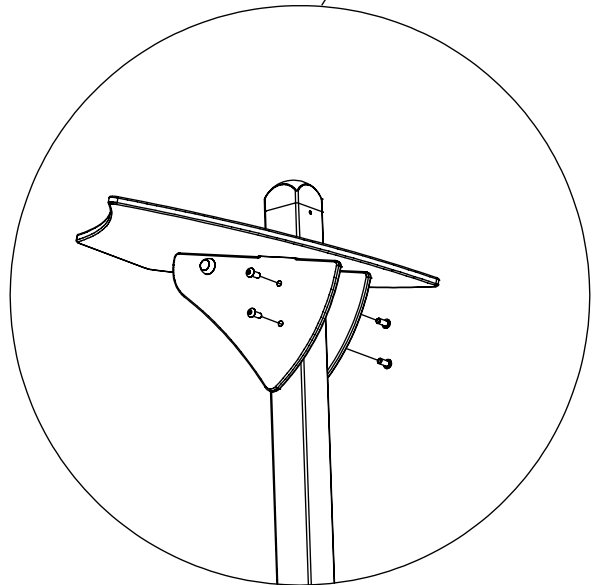
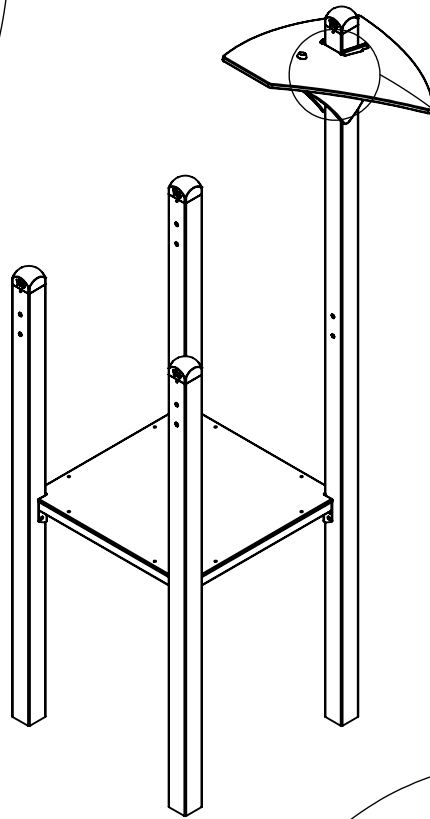
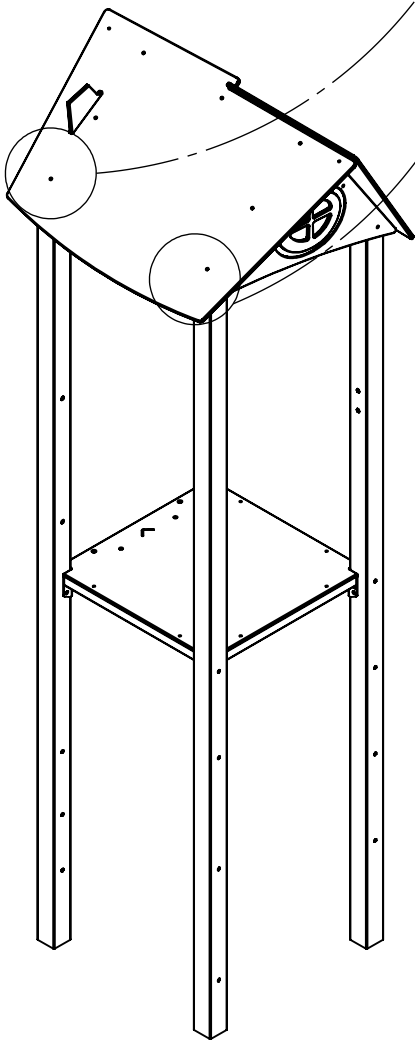


1x 17c032





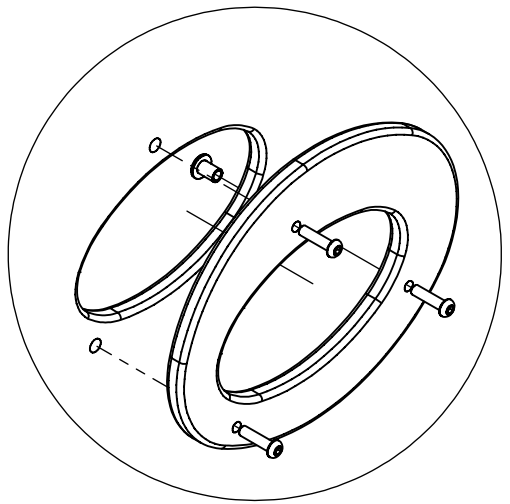
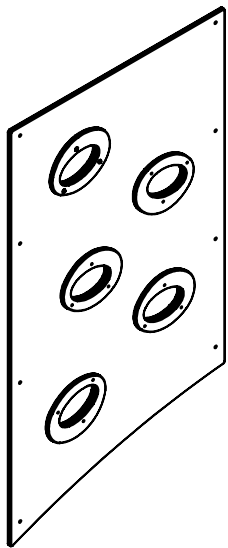
8x 10x30ikl



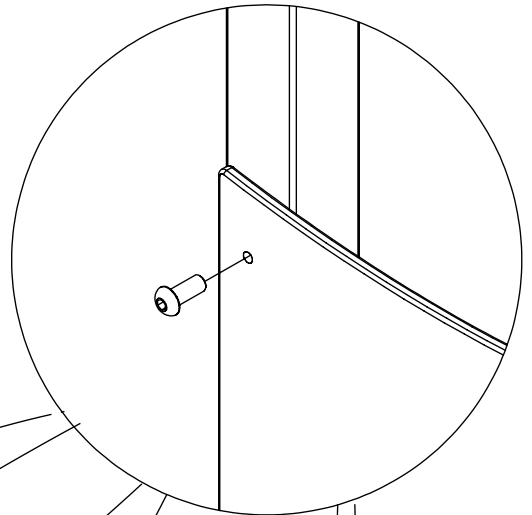
4x 10x30ikl

[cm]

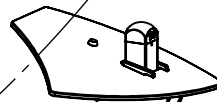
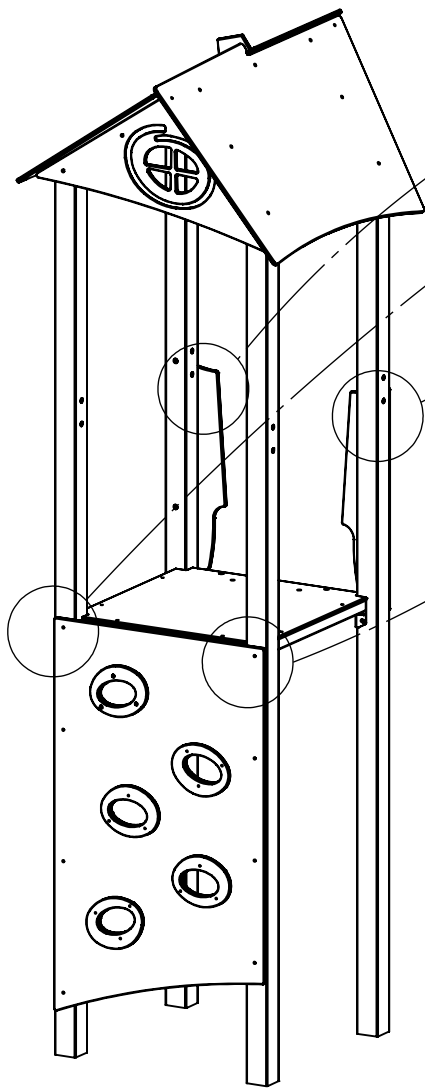
vinci
play



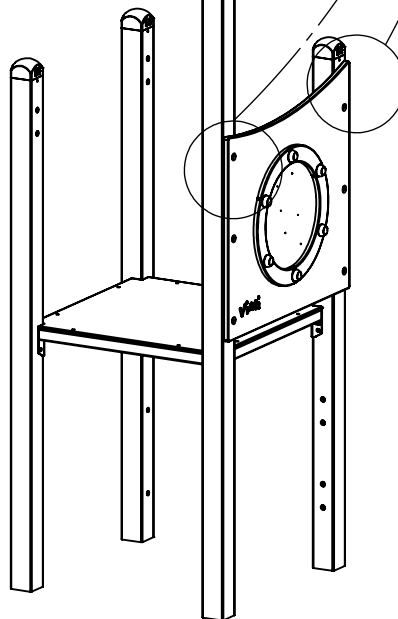
5x 17p039



14x 8x25ikl

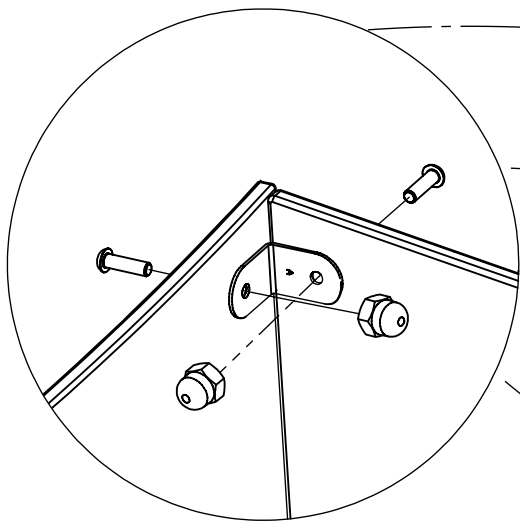


6x 8x30ikl

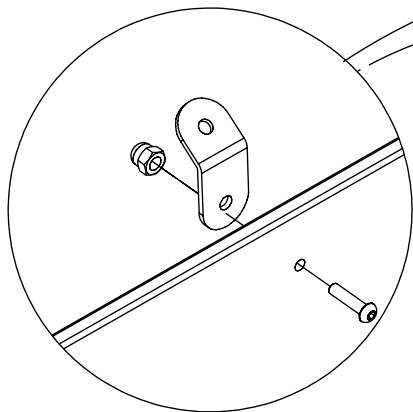
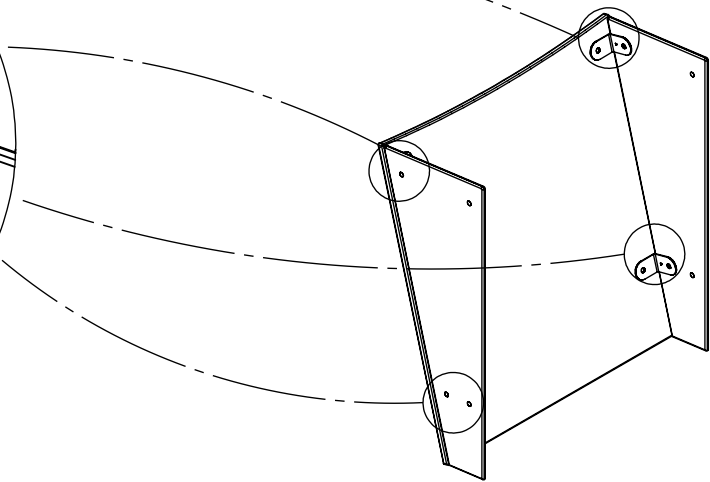


[cm]

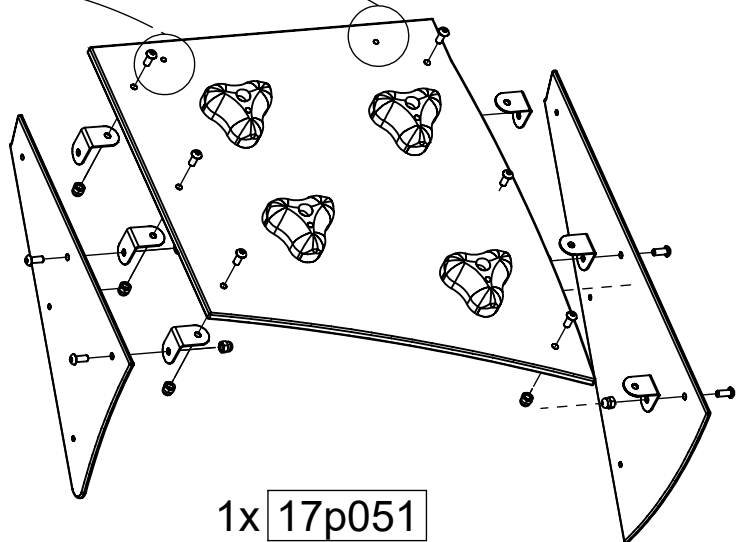
vinci
play



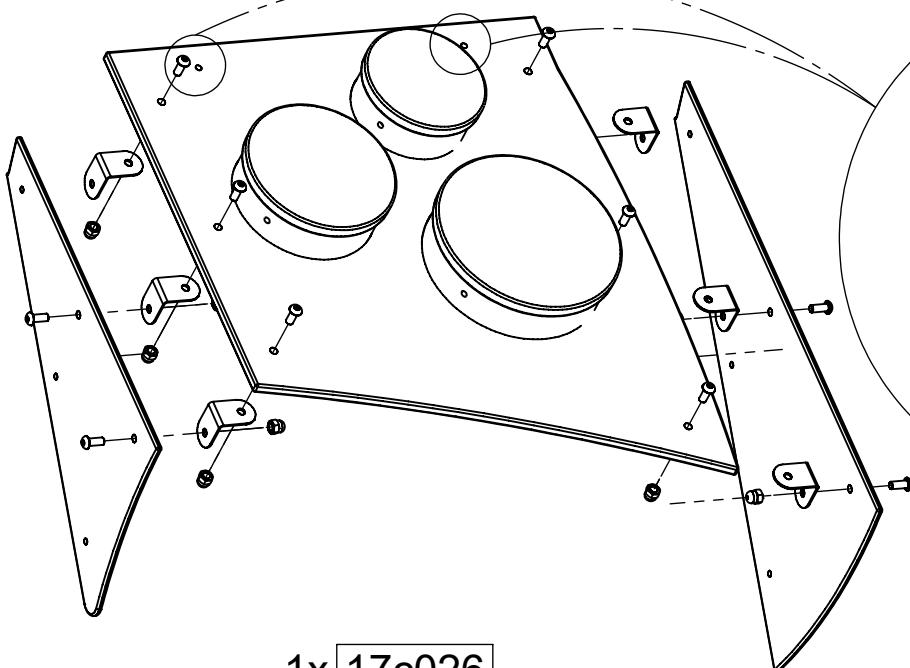
1x 17c012



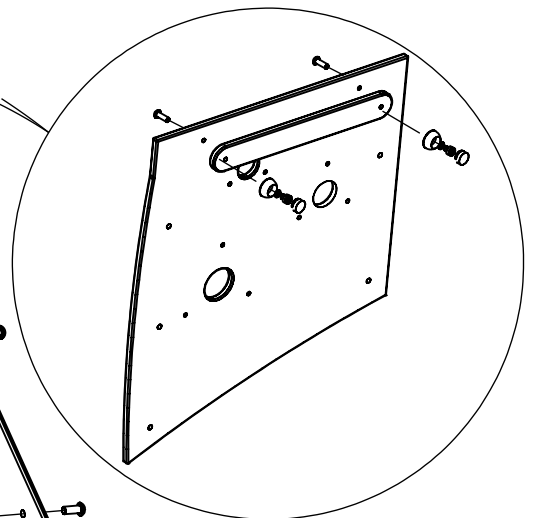
1x 17p015



1x 17p051



1x 17c026

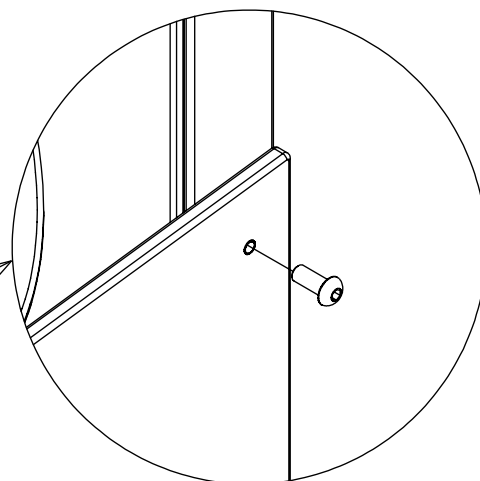
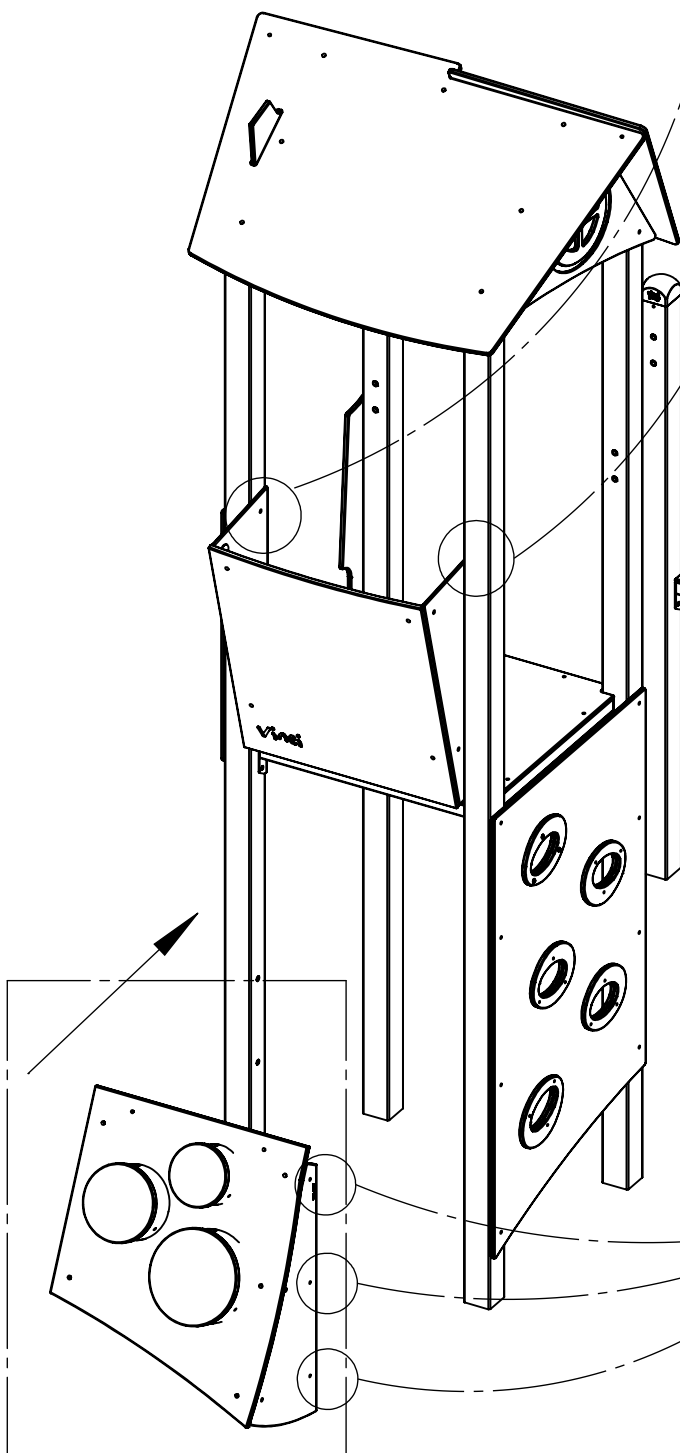
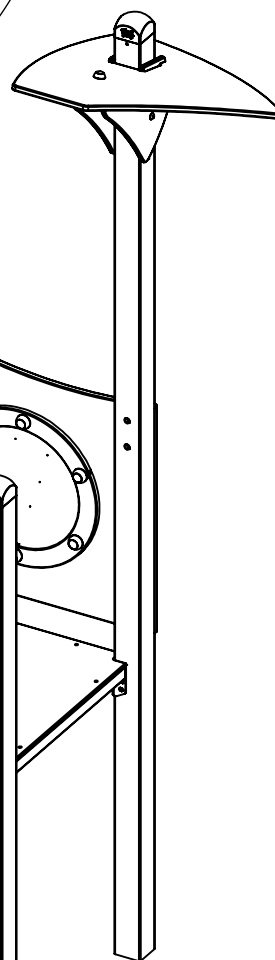
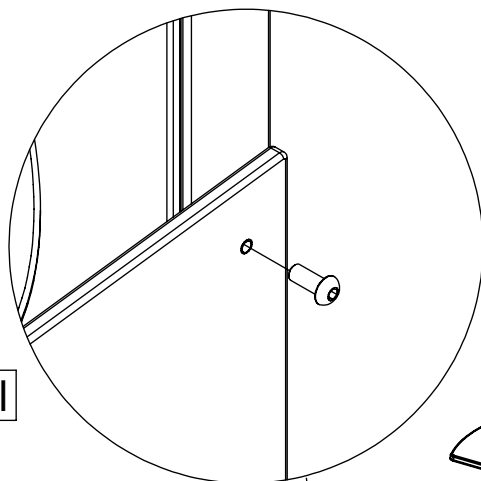


1x 17c018

[cm]

vinci
play

4x 10x25ikl

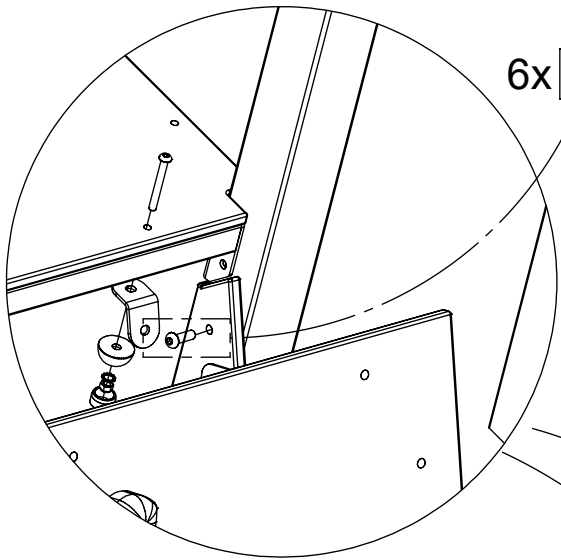


6x 8x25ikl

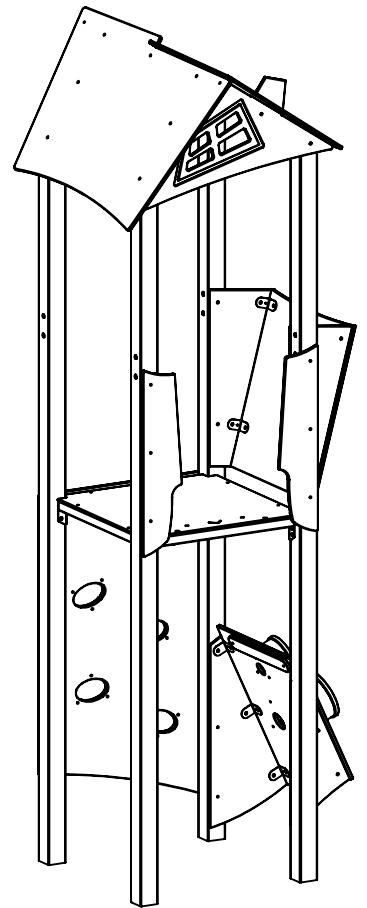
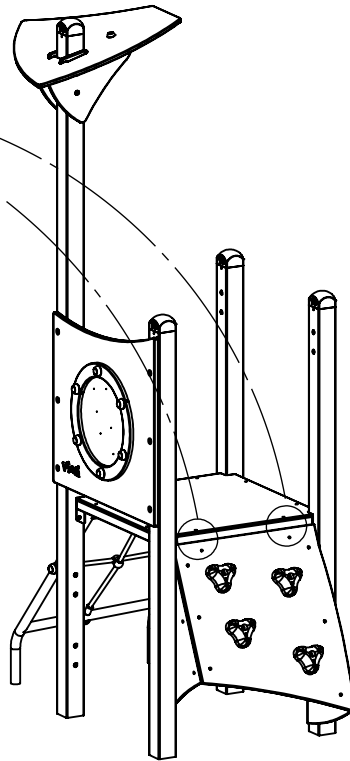
[cm]

vinci
play

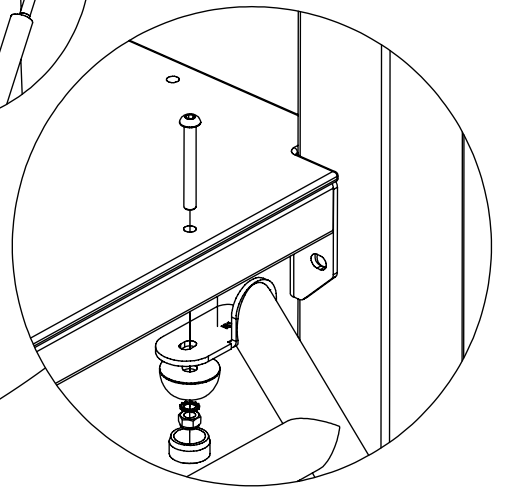
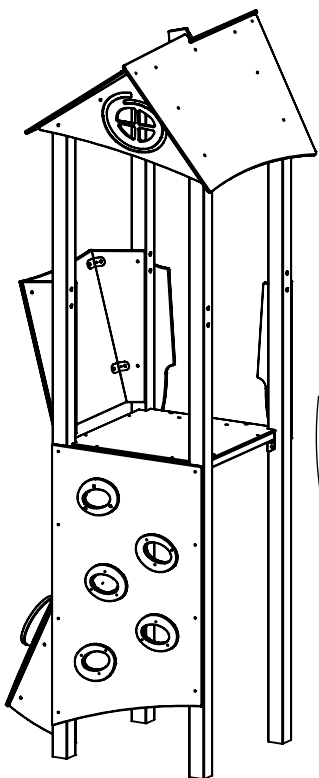
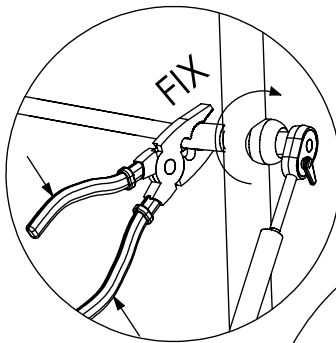
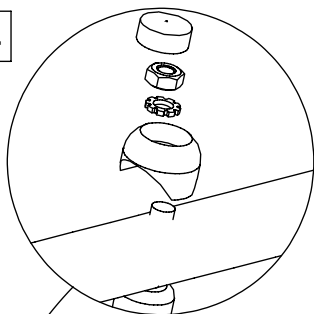
6x 8x25ikl



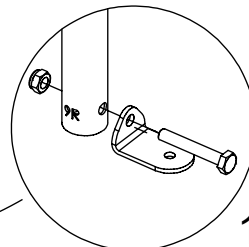
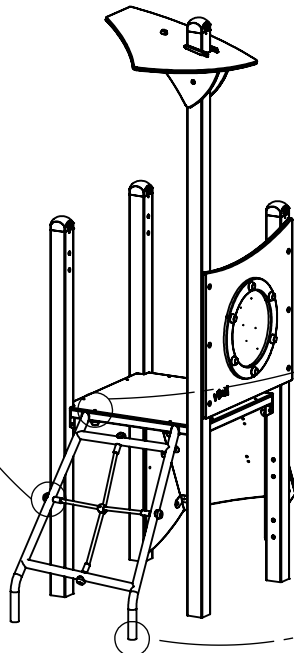
1x 17p021



1x 17e014



1x 17p021

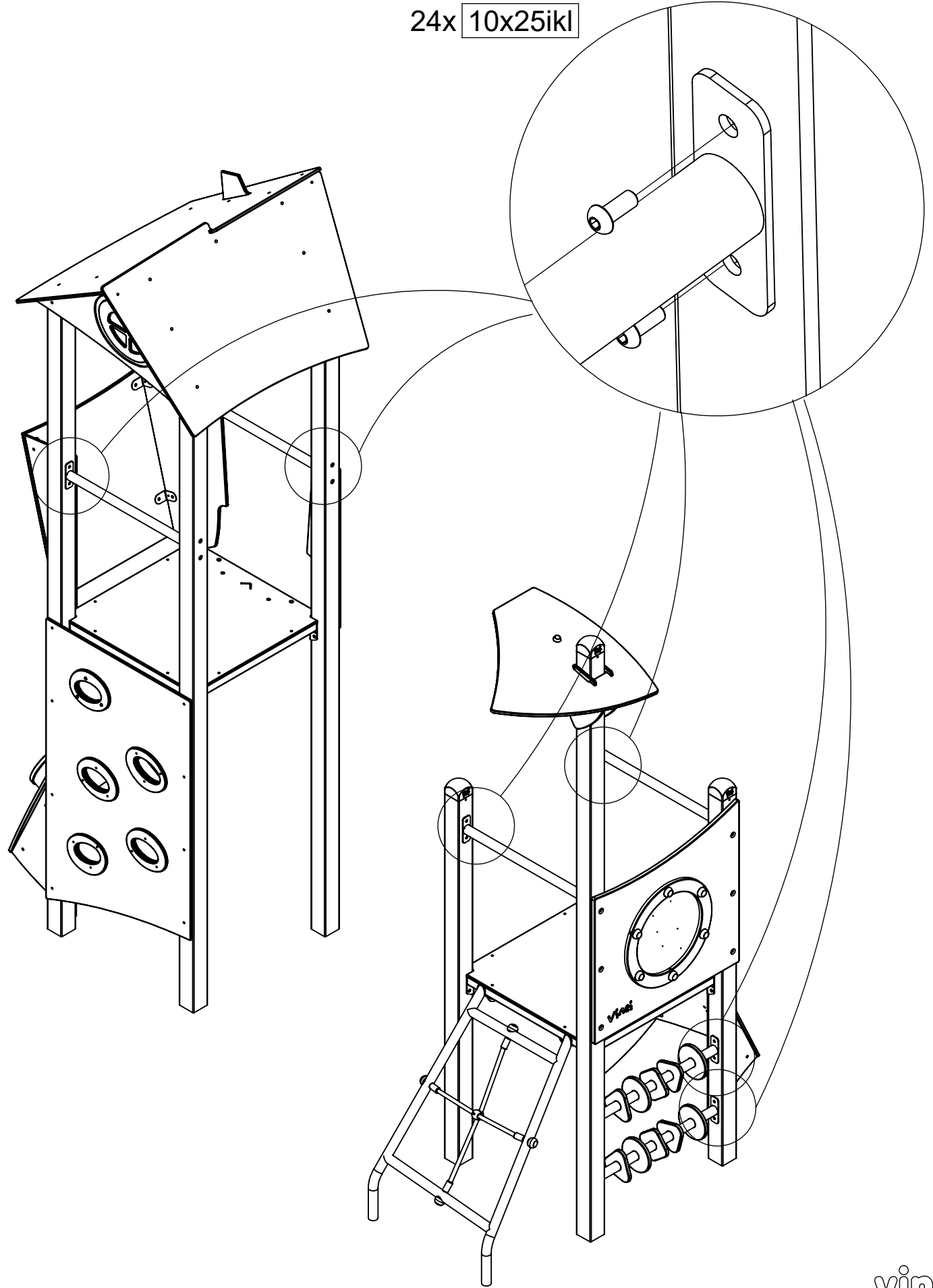


1x 17e022

[cm]

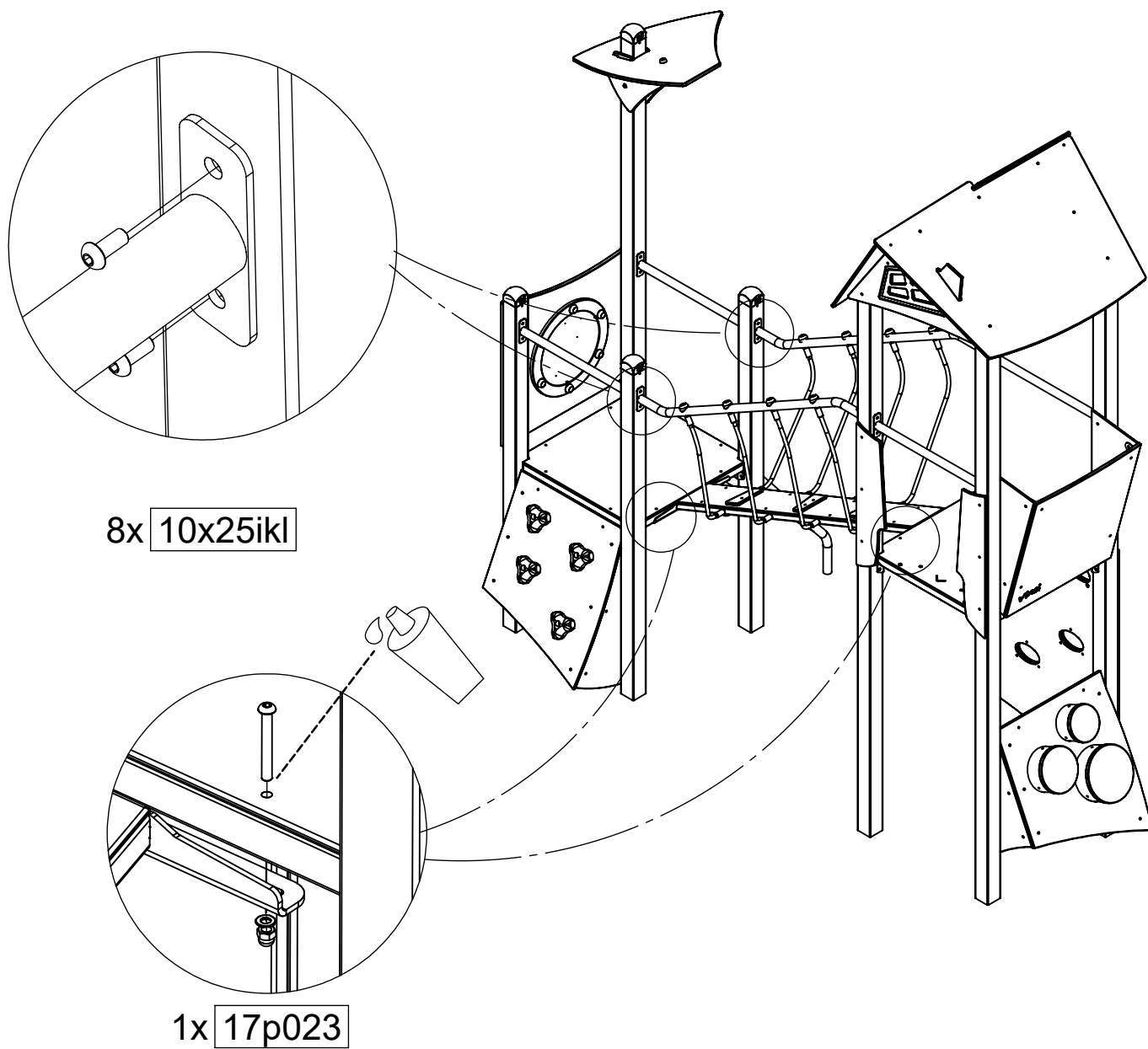
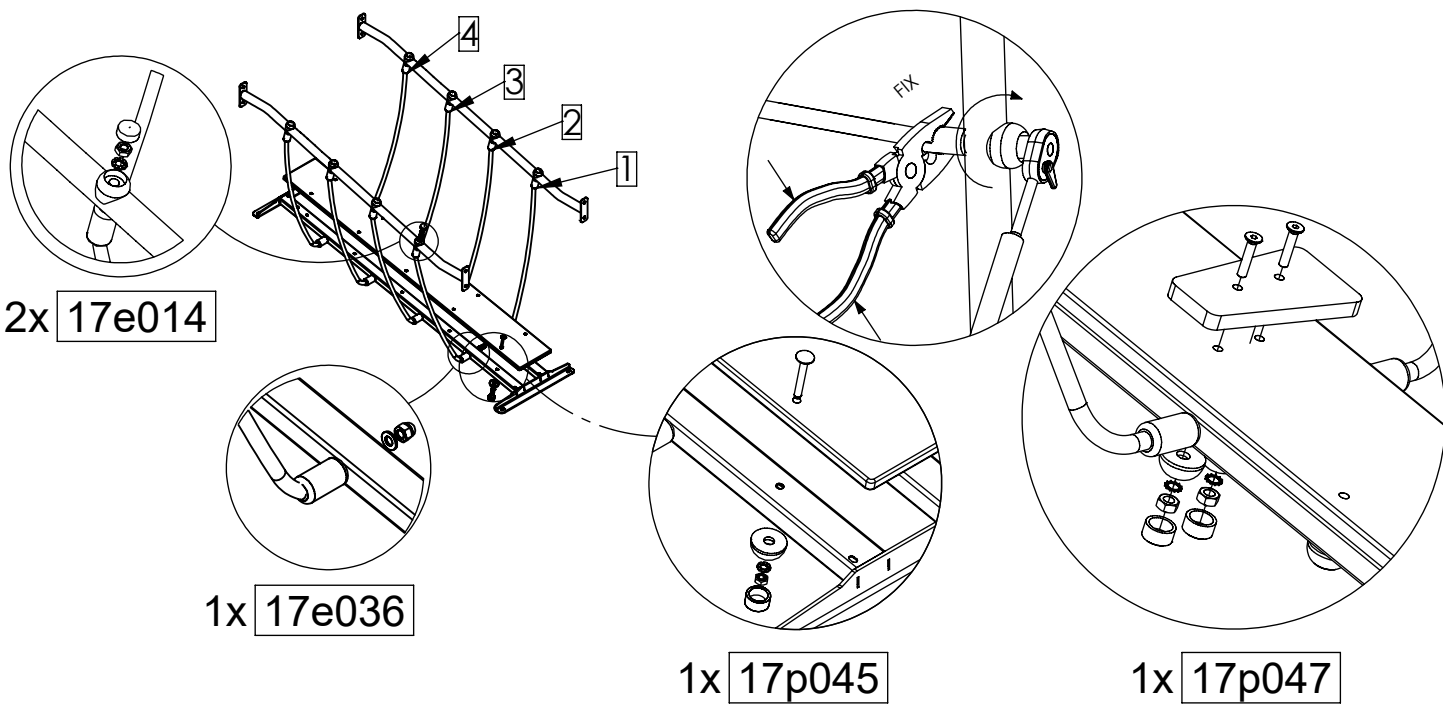
vinci
play

24x 10x25ikl



[cm]

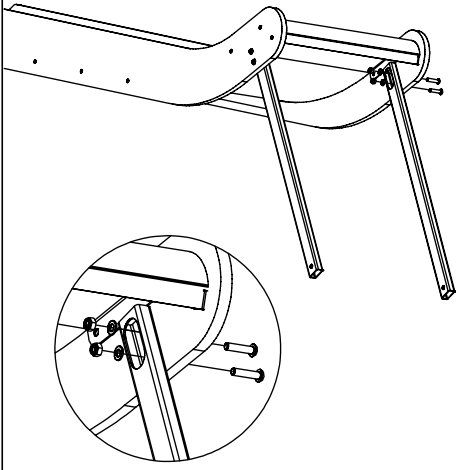
vinci
play



[cm]

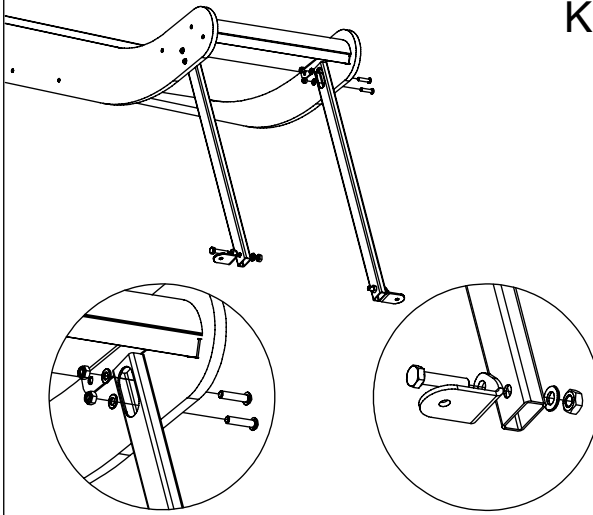
vinci
play

K1



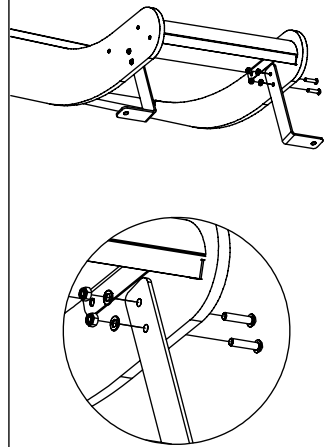
1x 17e034

K2



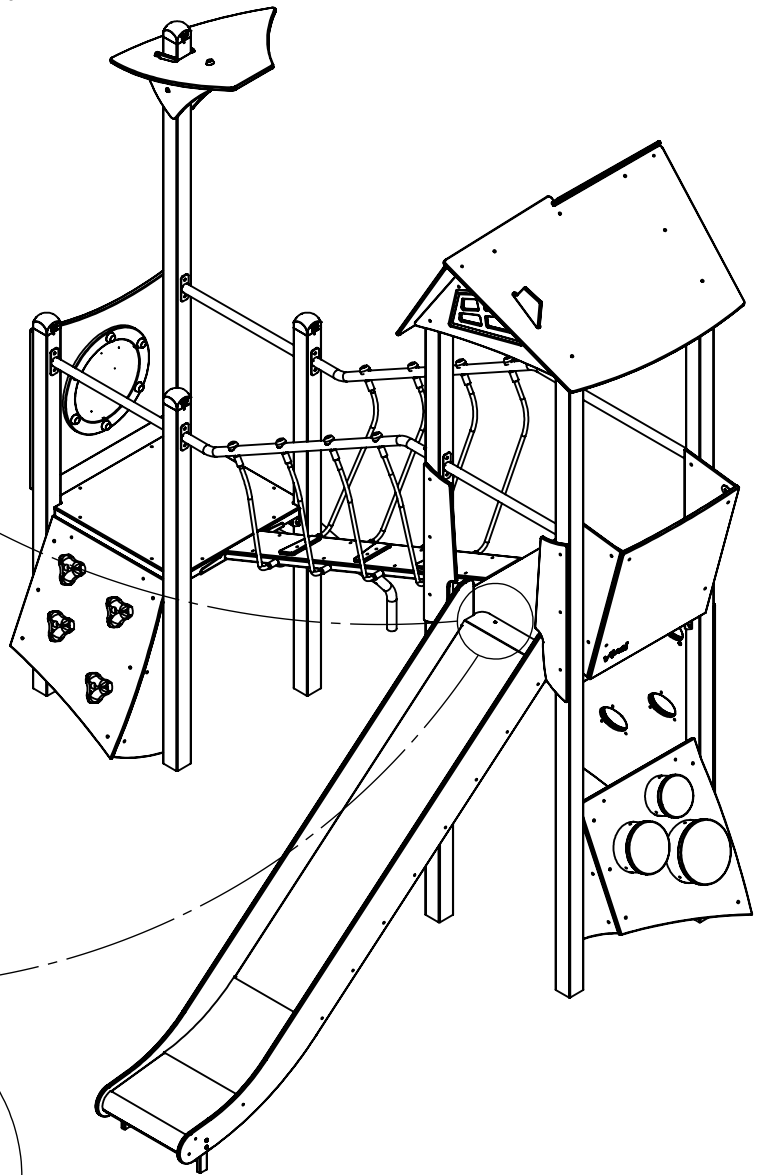
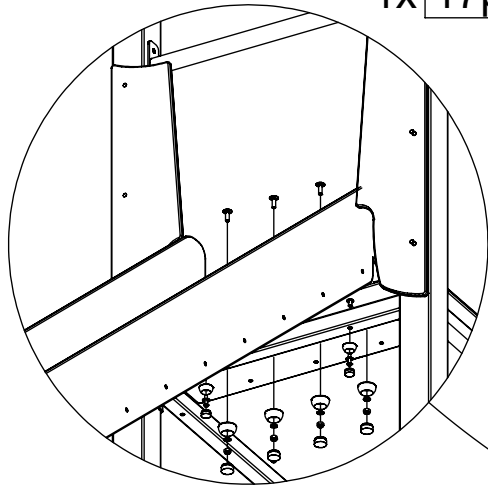
1x 17e035

K3

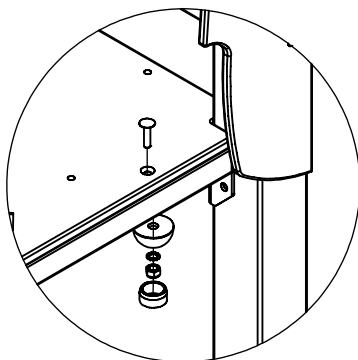
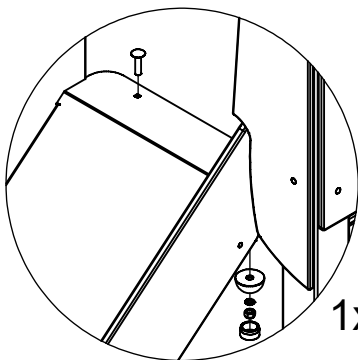


1x 17e034

1x 17p019^{S6}

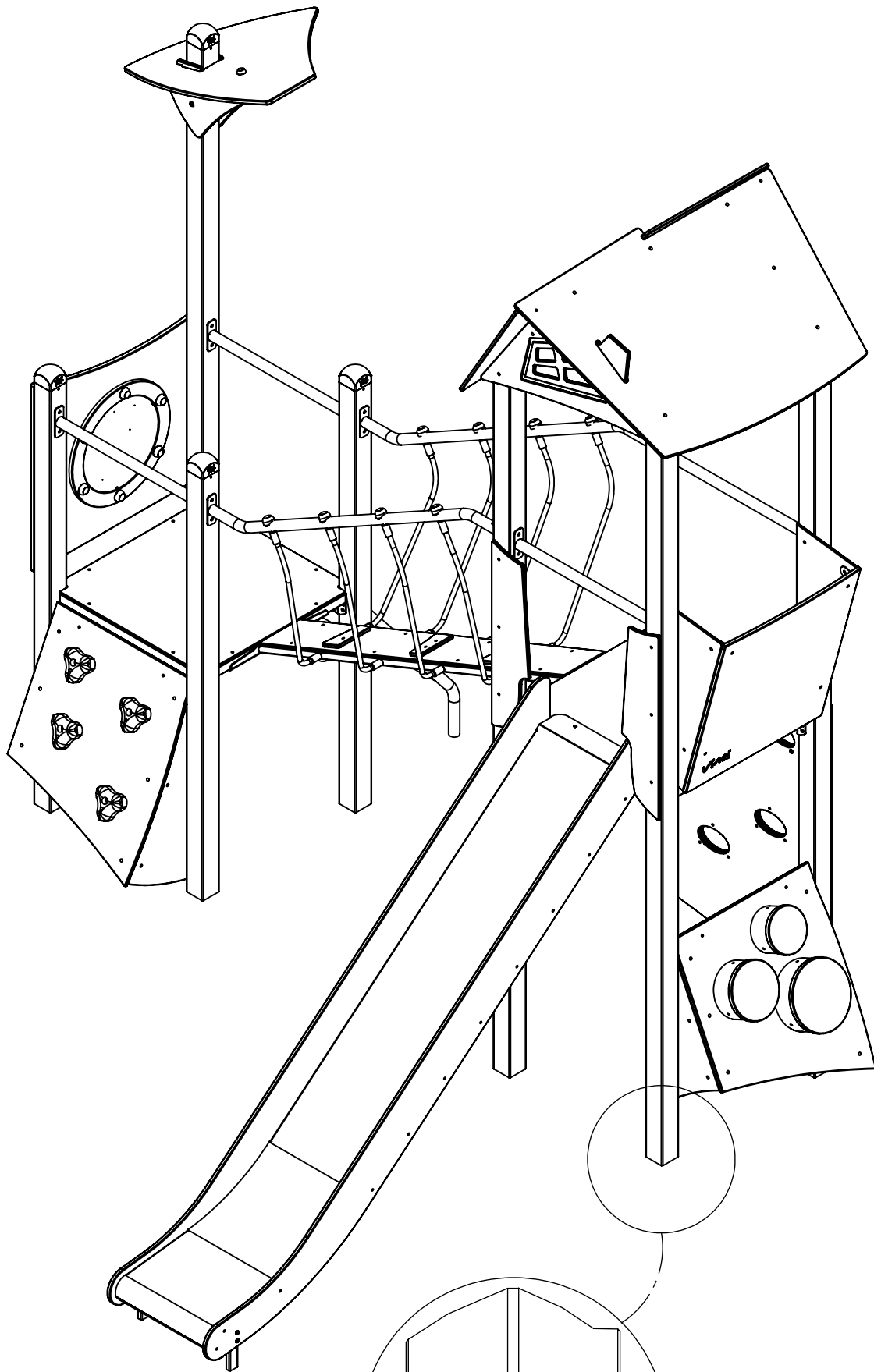


1x 17p017^{S1}



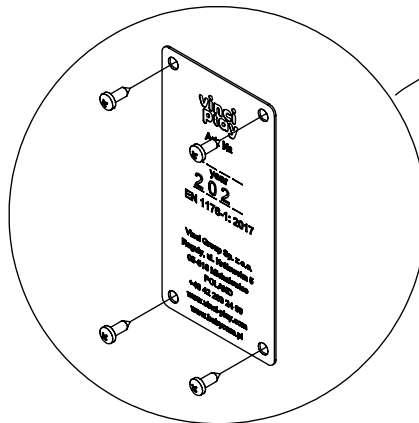
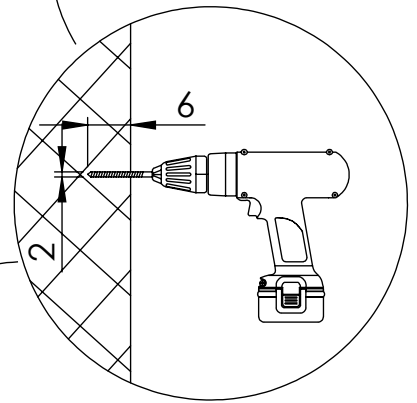
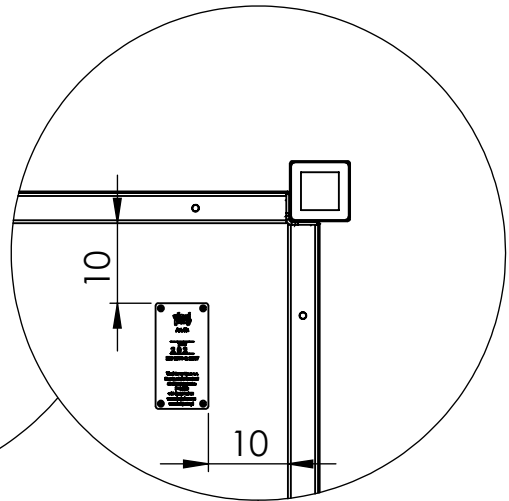
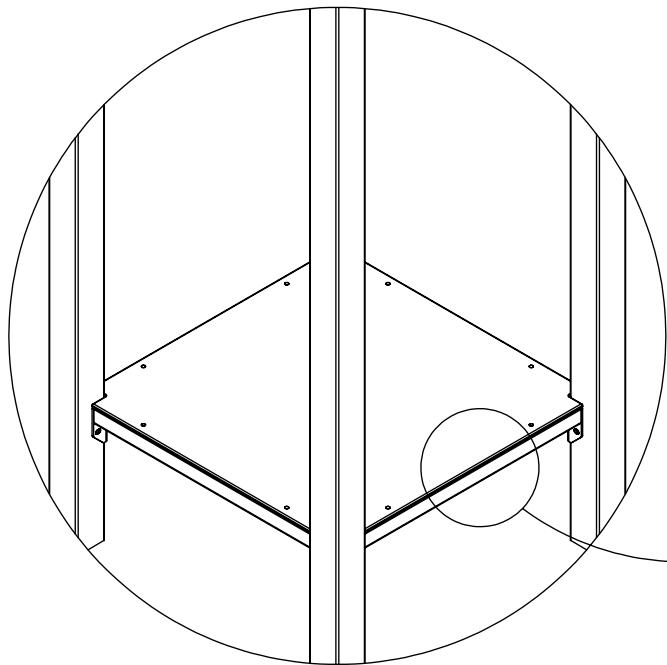
[cm]

vinci
play



[cm]

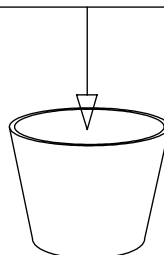
vinci
play



V001

Part No:
000000-
00000

000000-00000



[cm]

vinci
play