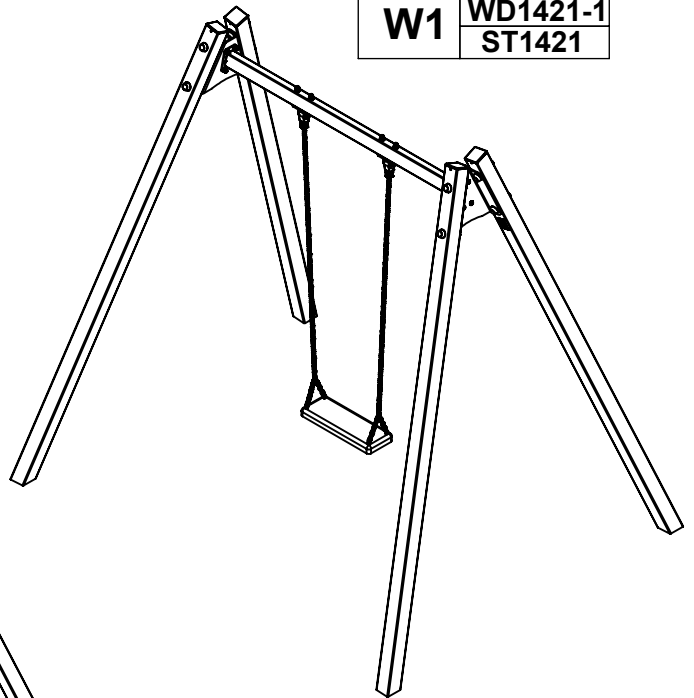
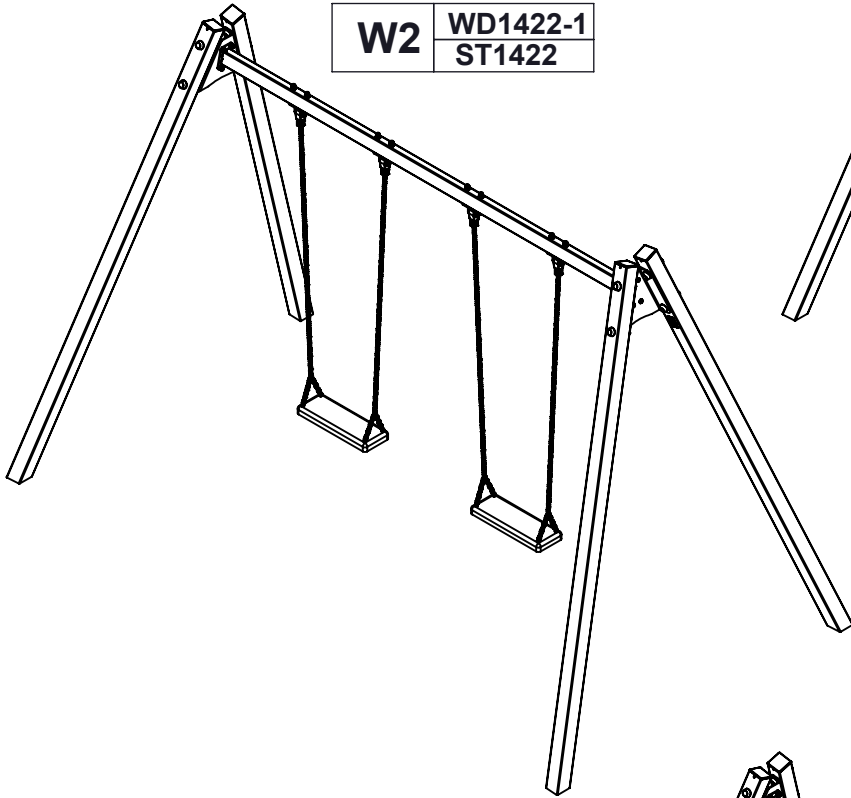


WD/ST

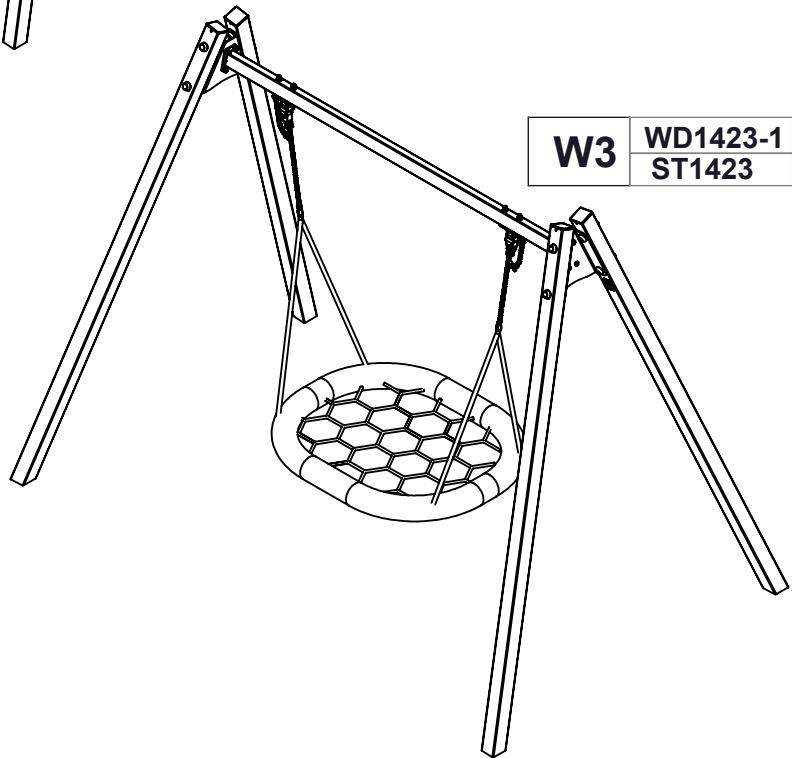
W1 WD1421-1
ST1421



W2 WD1422-1
ST1422

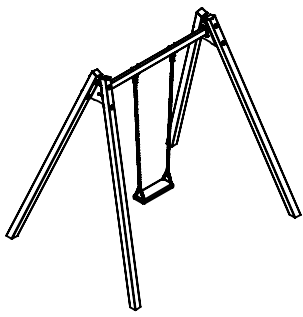


W3 WD1423-1
ST1423

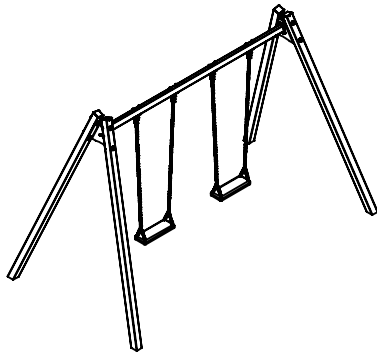
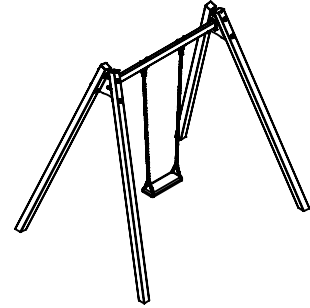
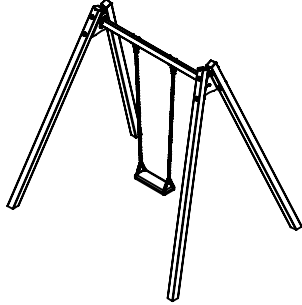
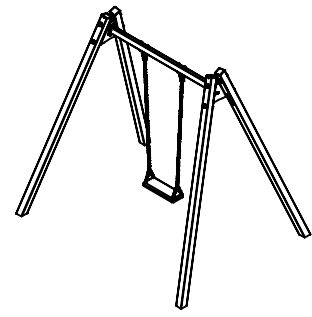


v013
15.10.2021
B. K.
[cm]

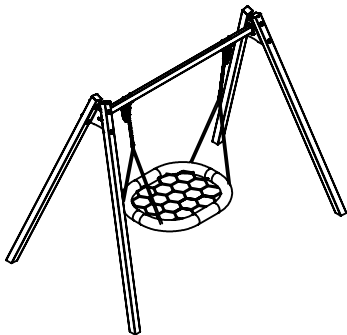
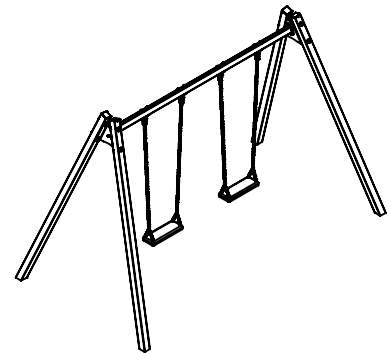
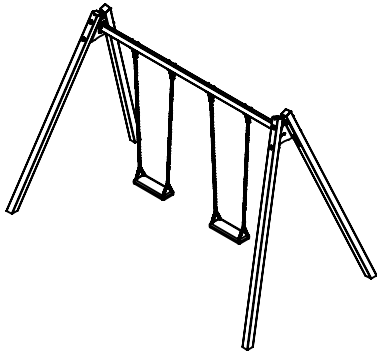
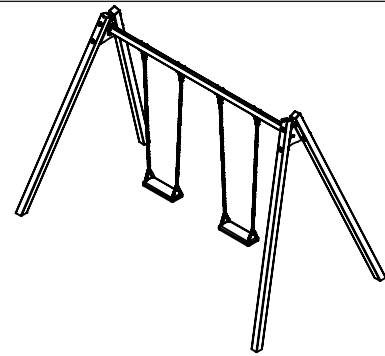
vinci
play



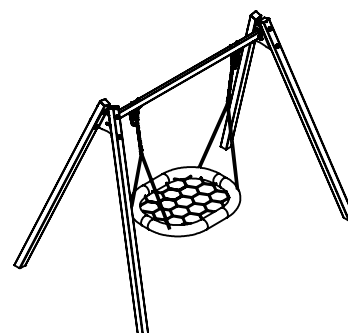
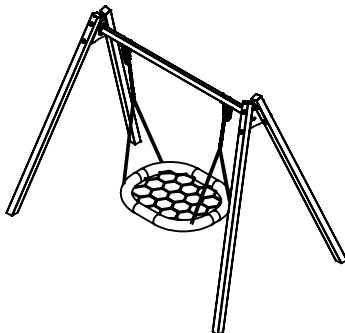
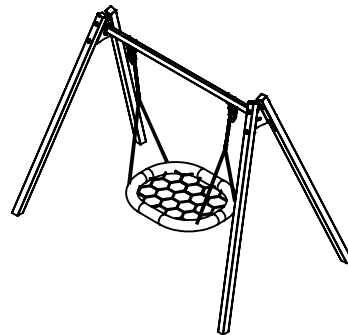
W1
ST1421
WD1421-1



W2
ST1422
WD1422-1



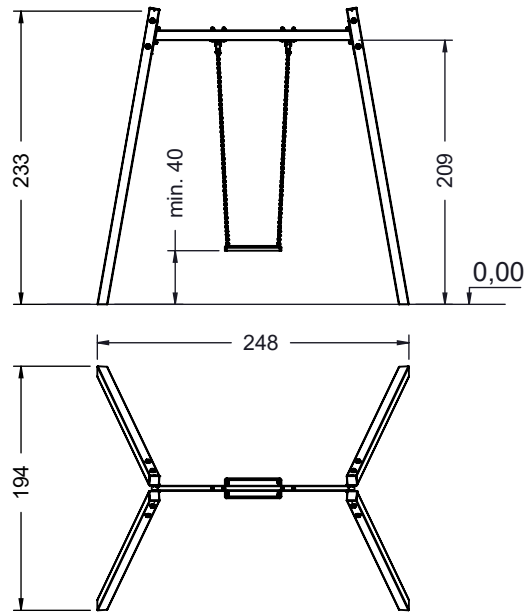
W3
ST1423
WD1423-1



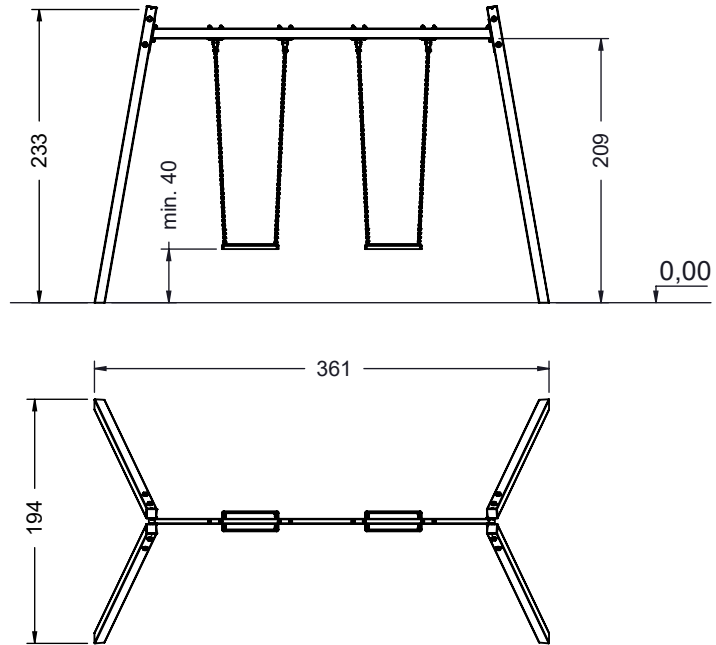
[cm]

vinci
play

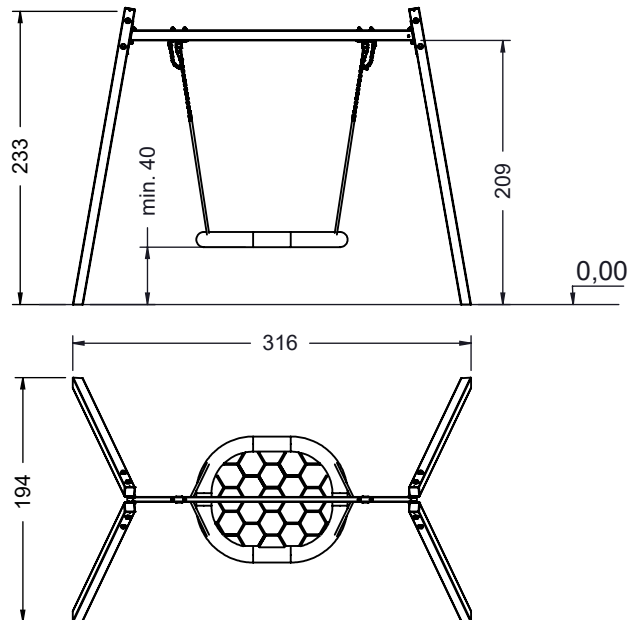
W1
ST1421
WD1421-1



W2
ST1422
WD1422-1



W3
ST1423
WD1423-1

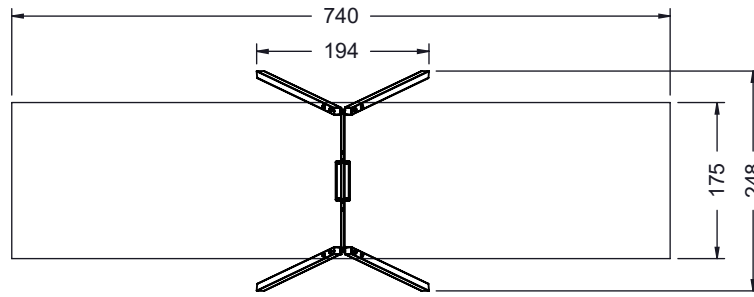


[cm]

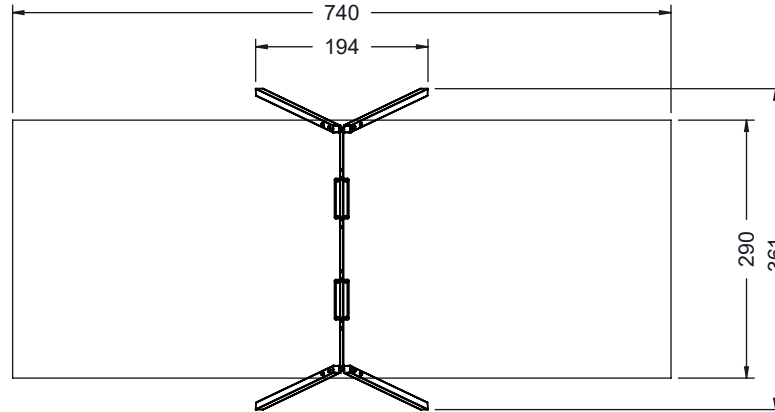


vinci
play

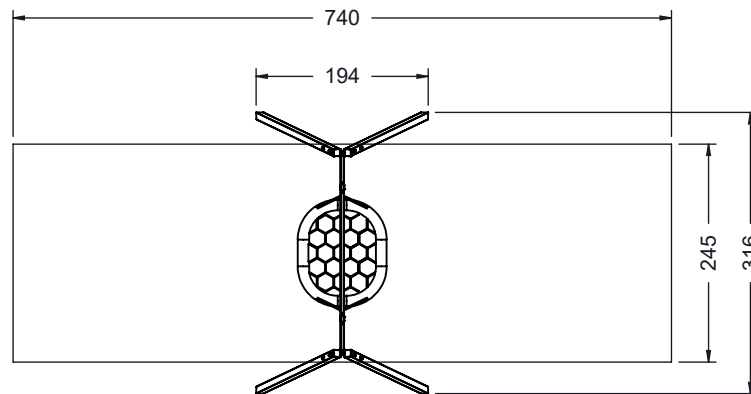
W1
ST1421
WD1421-1



W2
ST1422
WD1422-1



W3
ST1423
WD1423-1



[cm]

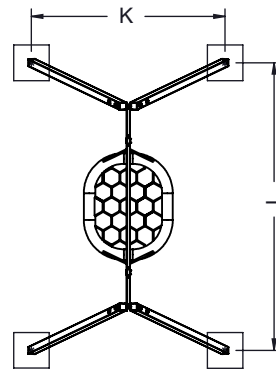
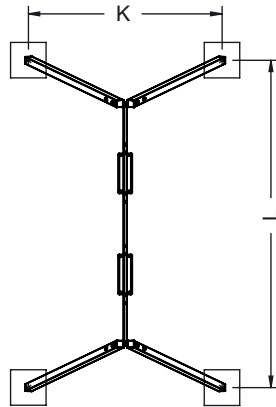
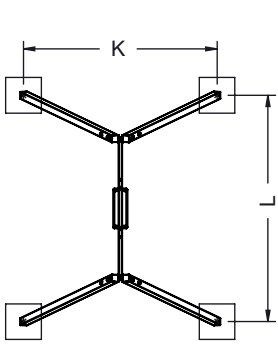


vinci
play

	K,cm	L,cm
K1	218	255
K2	225	259
K3	188	241

	K,cm	L,cm
K1	218	368
K2	225	372
K3	188	355

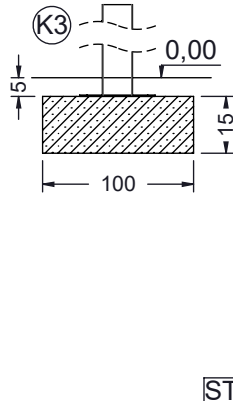
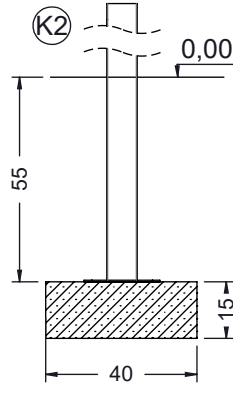
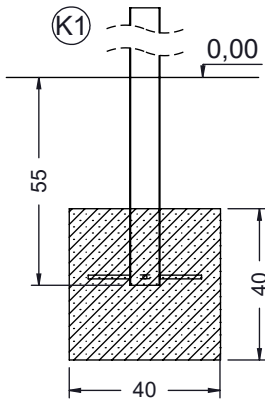
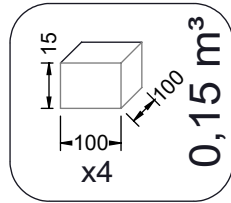
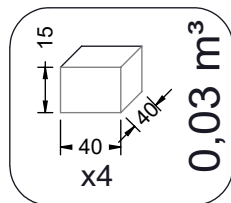
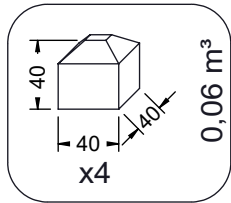
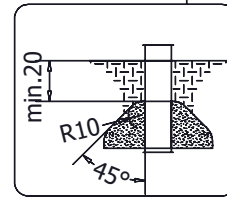
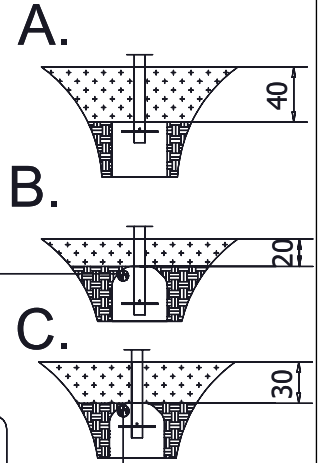
	K,cm	L,cm
K1	218	323
K2	225	327
K3	188	310



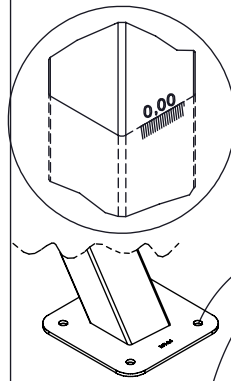
W1
ST1421
WD1421-1

W2
ST1422
WD1422-1

W3
ST1423
WD1423-1

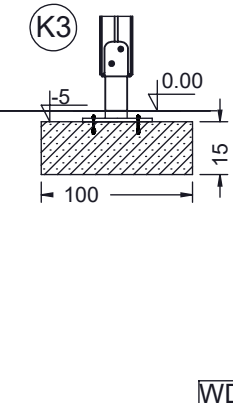
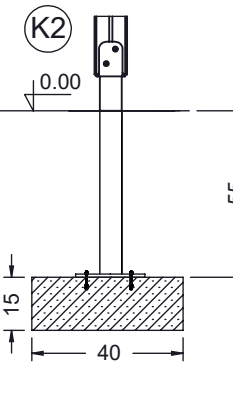
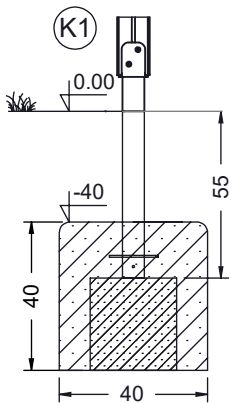


ST

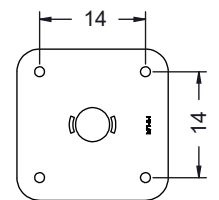
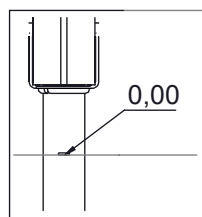
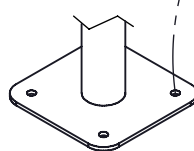


16x M12x120 (K2)
16x M12x120 (K3)

NOT INCLUDED



WD



[cm]



2h



48h



K1
x4
>0,06m³



K2
x4
>0,03m³



K3
x4
>0,15m³



Ø12



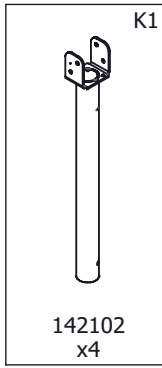
19

vinci play

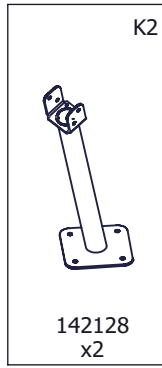
WOOD



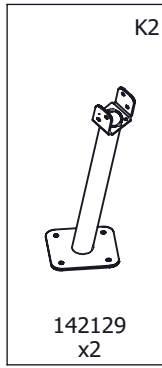
14723790
x4



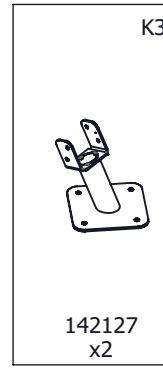
142102
x4



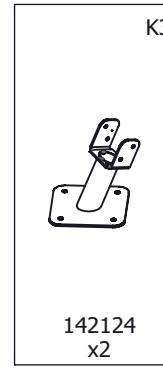
142128
x2



142129
x2



142127
x2

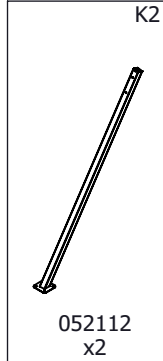


142124
x2

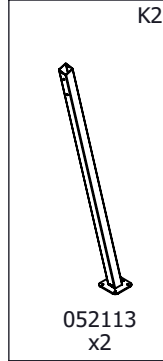
STEEL



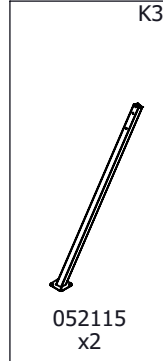
054103
x4



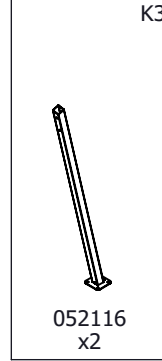
052112
x2



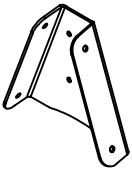
052113
x2



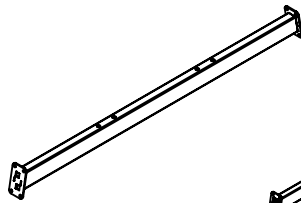
052115
x2



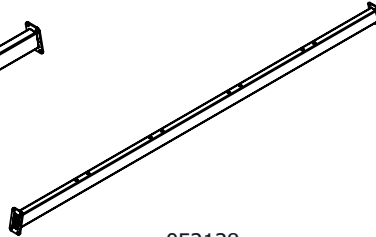
052116
x2



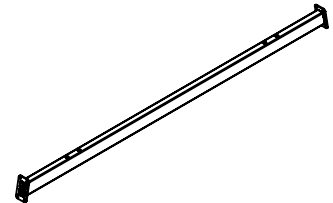
b66-5
x2



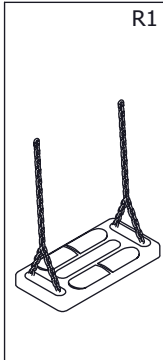
052127
x1



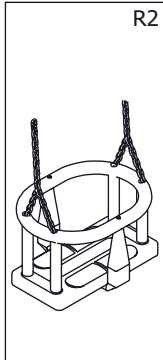
052128
x1



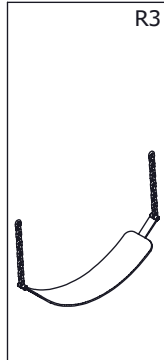
052129
x1



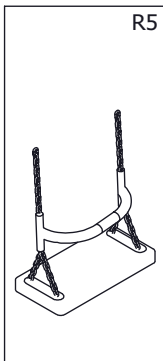
R1



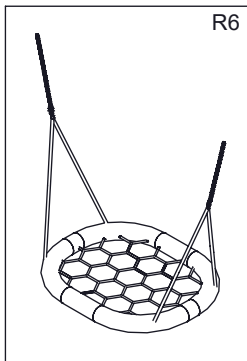
R2



R3



R5

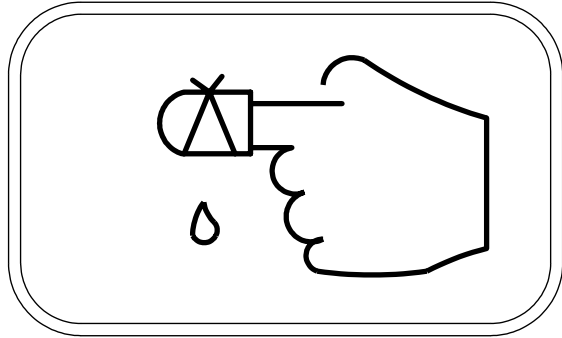
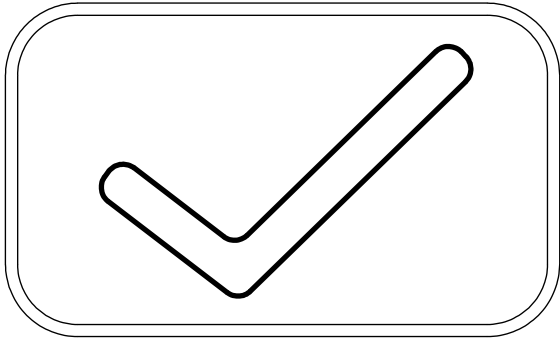
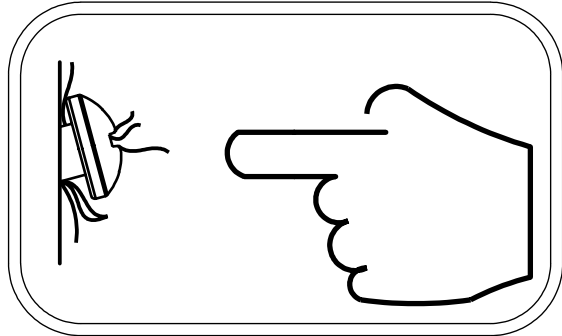
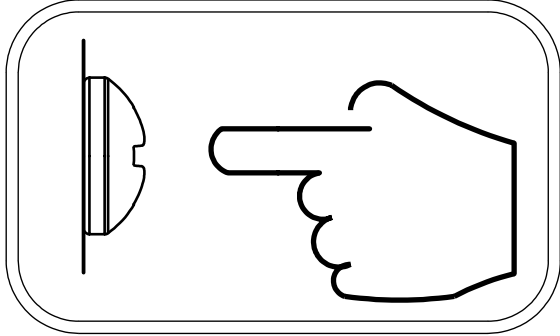
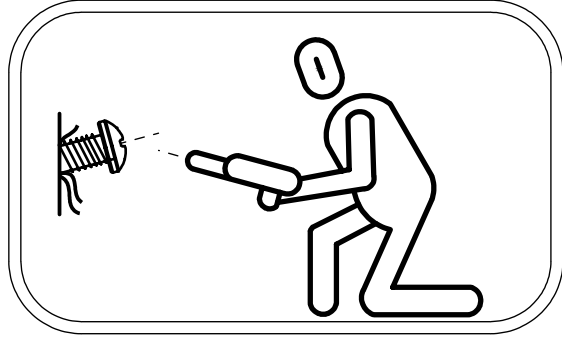
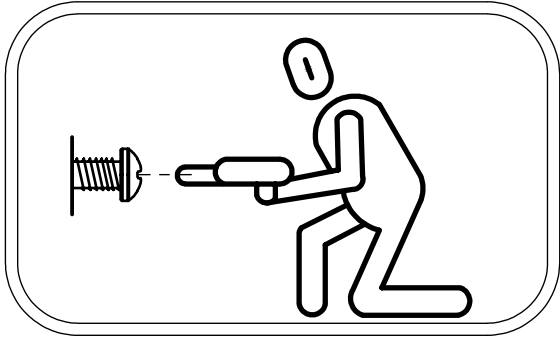


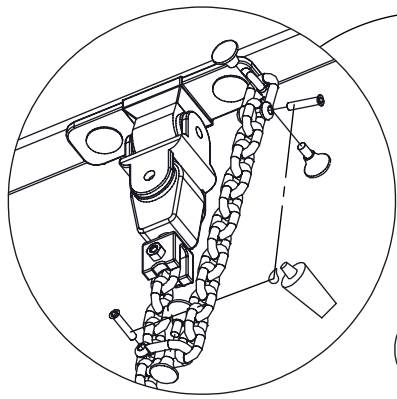
R6

	W1	W2	W3
WOOD	16x 8x50 sxi 4x WD1 2x WD62 1x E60 1x E62 1x V001 x E164 (R1) x E165 (R2) x E168 (R3) x E164 (R5)	16x 8x50 sxi 4x WD1 2x WD62 1x E60 2x E62 1x V001 x E164 (R1) x E165 (R2) x E168 (R3) x E164 (R5)	16x 8x50 sxi 4x WD1 2x WD62 1x E60 1x E63 1x V001
STEEL	1x E60 1x E62 2x E64 1x V002 x E164 (R1) x E165 (R2) x E168 (R3) x E164 (R5)	1x E60 2x E62 2x E64 1x V002 x E164 (R1) x E165 (R2) x E168 (R3) x E164 (R5)	1x E60 1x E63 2x E64 1x V002

[cm]

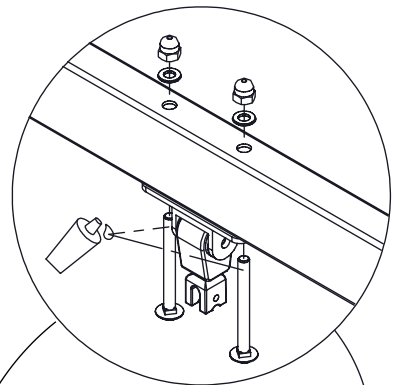
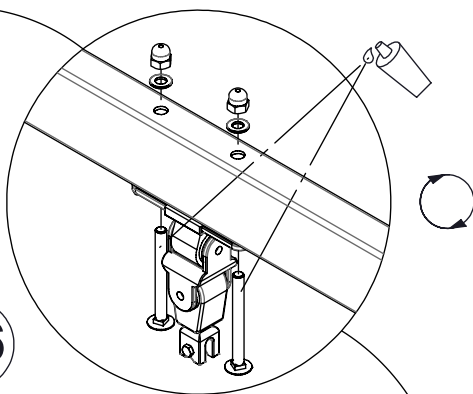
vinci
play



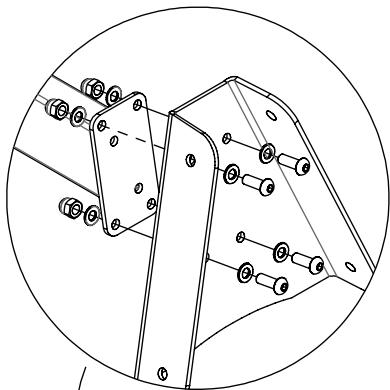


R6

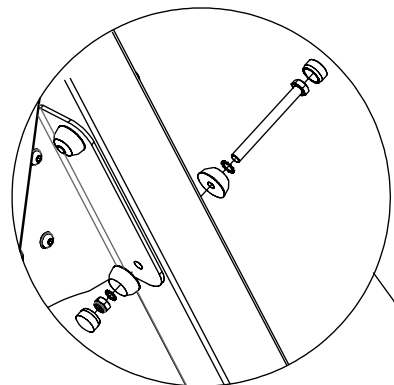
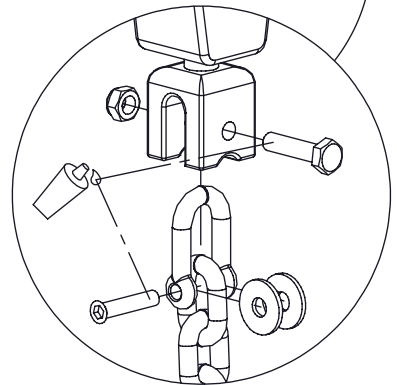
E63



E62

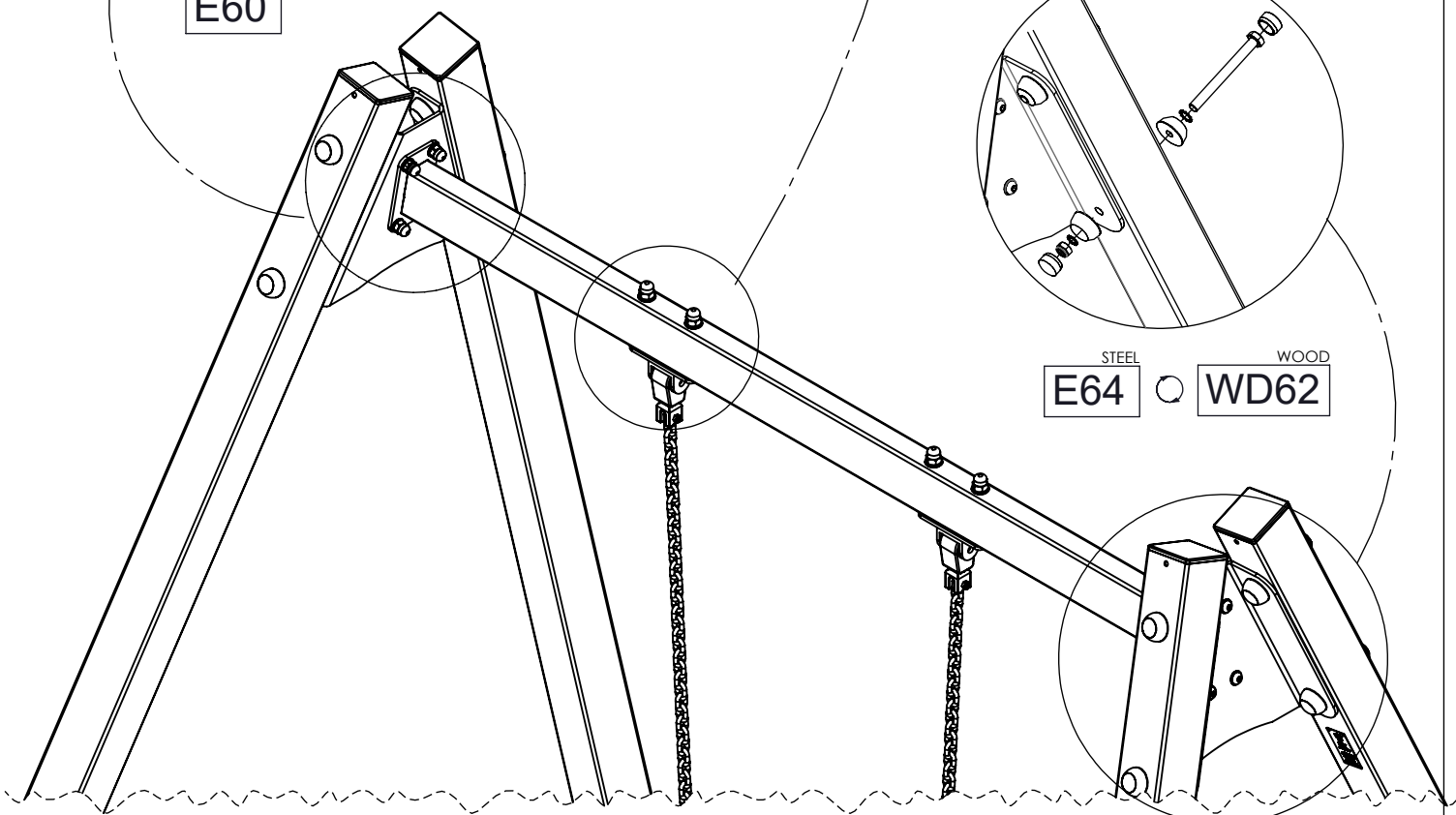


E60



STEEL
E64

WOOD
WD62

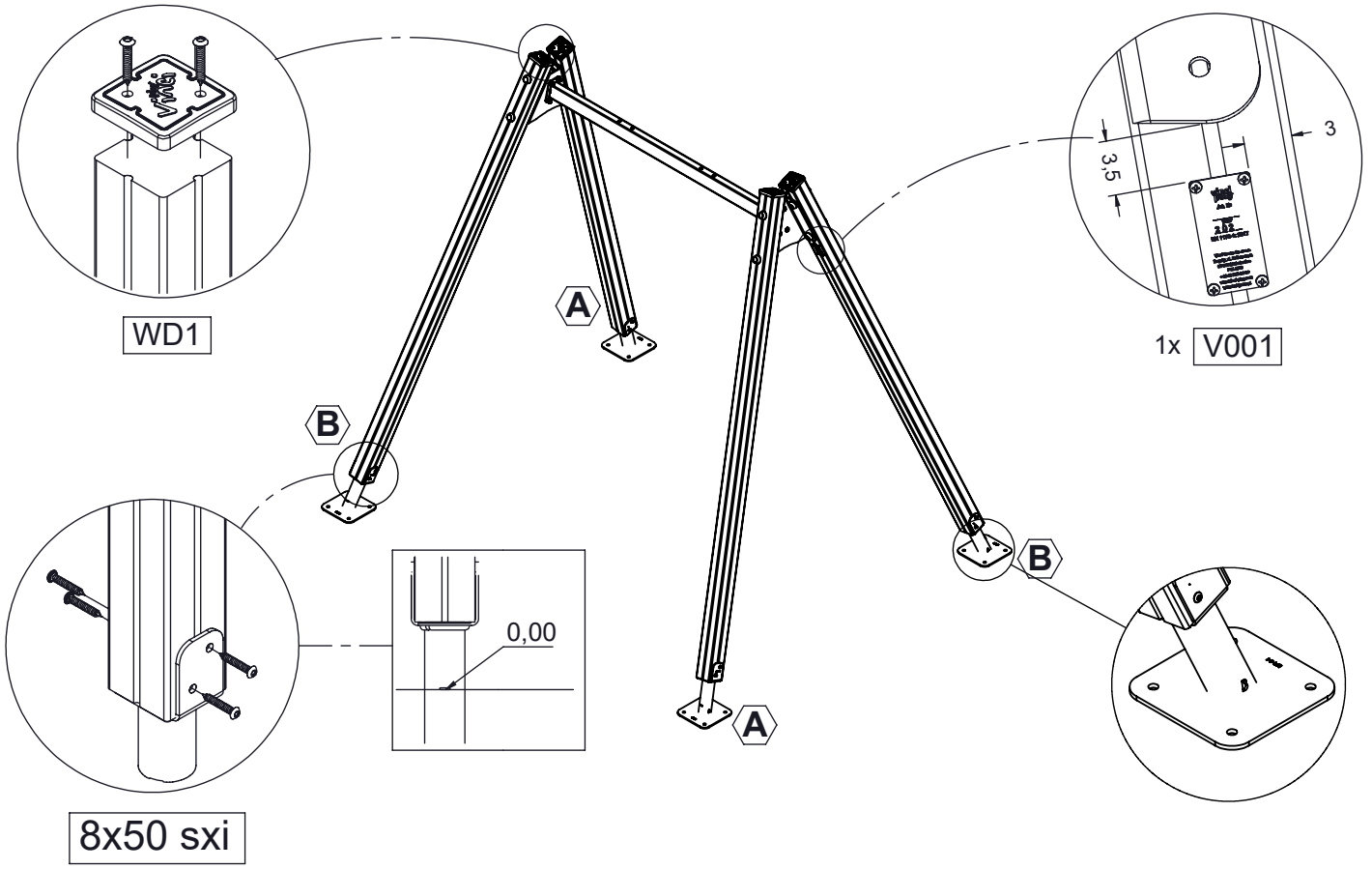


[cm]



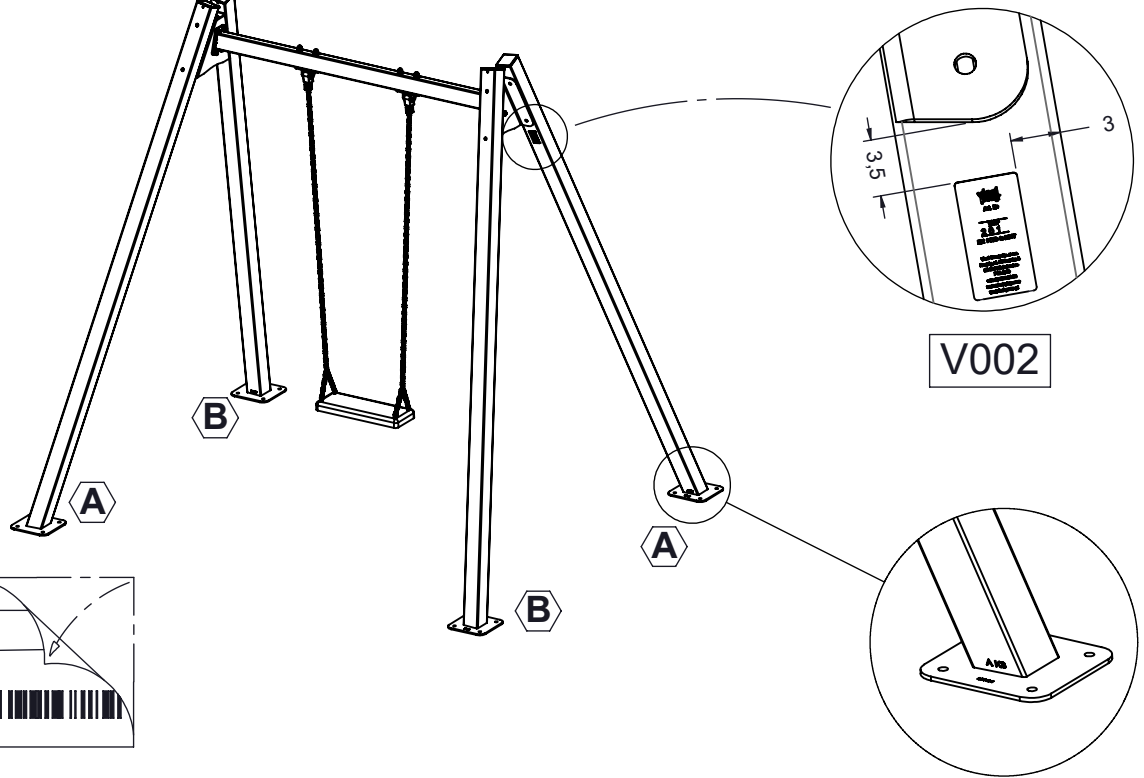
vinci
play

WOOD



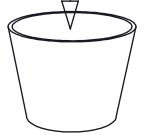
-
-
-
-
-

STEEL



Part No:
000000-
00000

000000-00000



vinci
play

[cm]

R2

x4

x4

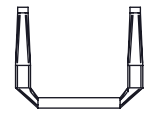
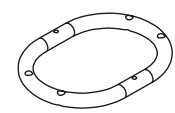
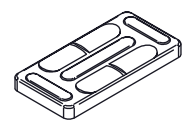
x1

x1

x1

x2

x2



A

B

C

D

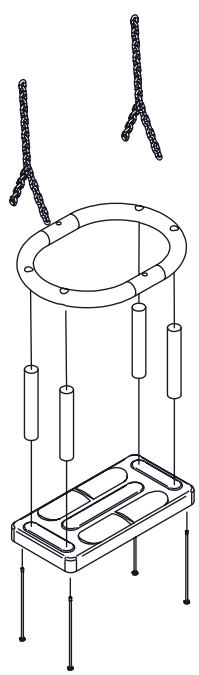
E

F

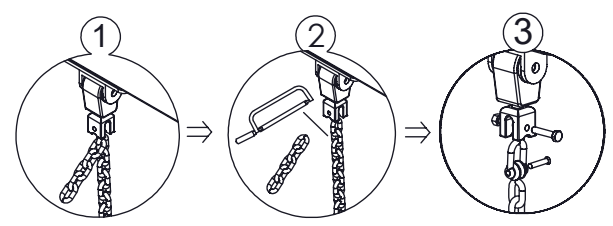
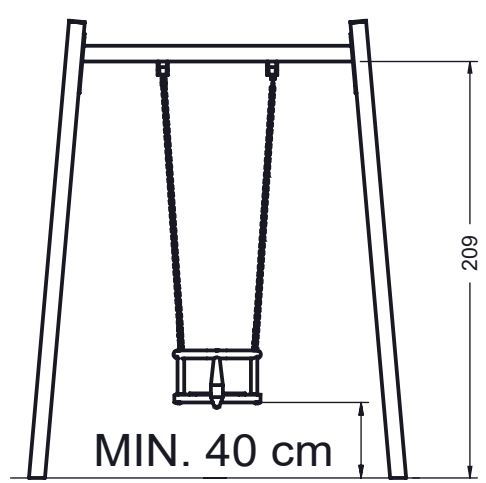
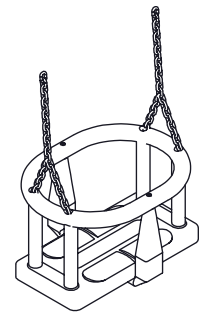
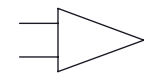
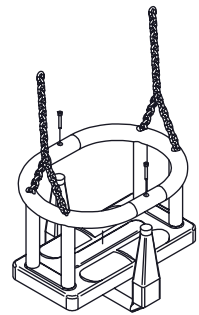
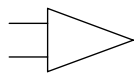
G

A + B + C + D + G

R2
E165



D + E + F



vinci
play

[cm]

R1

x1



A

x2



B

x4

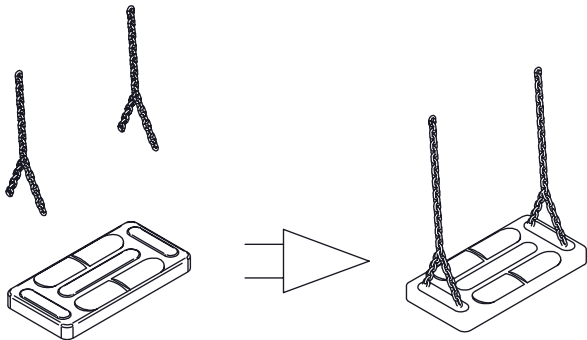


C

A + B + C

R1, R5

E164



R3

x1



A

x2



B

x2

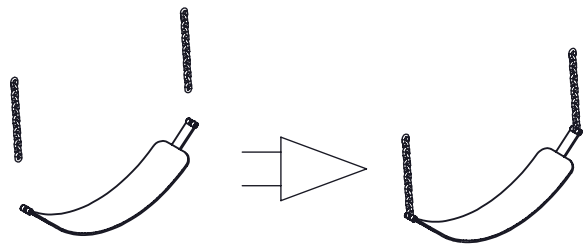


C

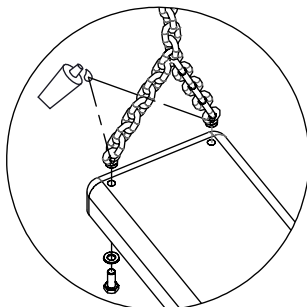
A + B + C

R3

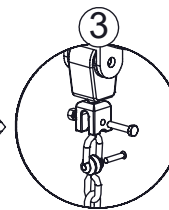
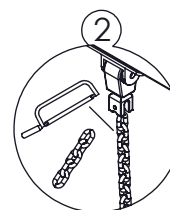
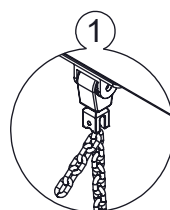
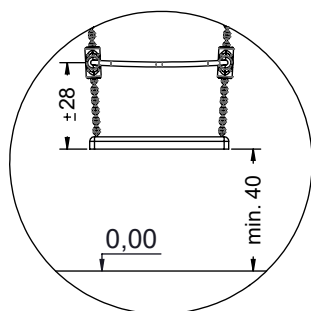
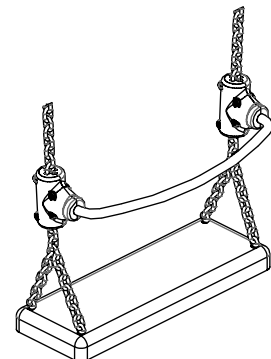
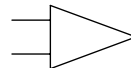
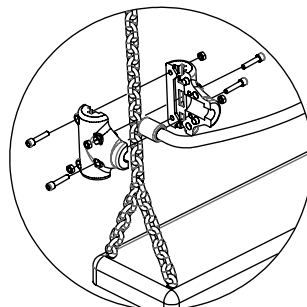
E168



R5

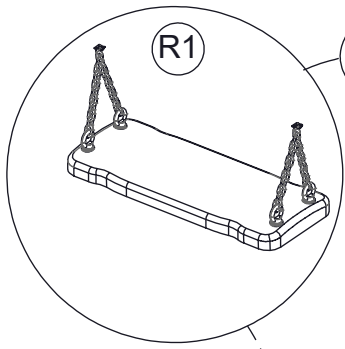


E164

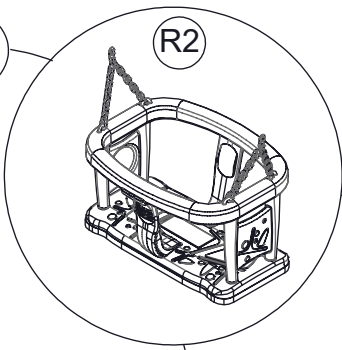


vinci play

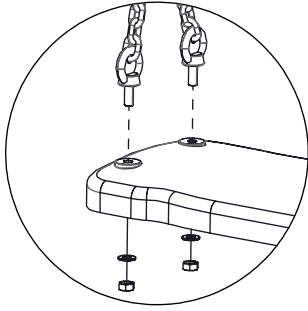
[cm]



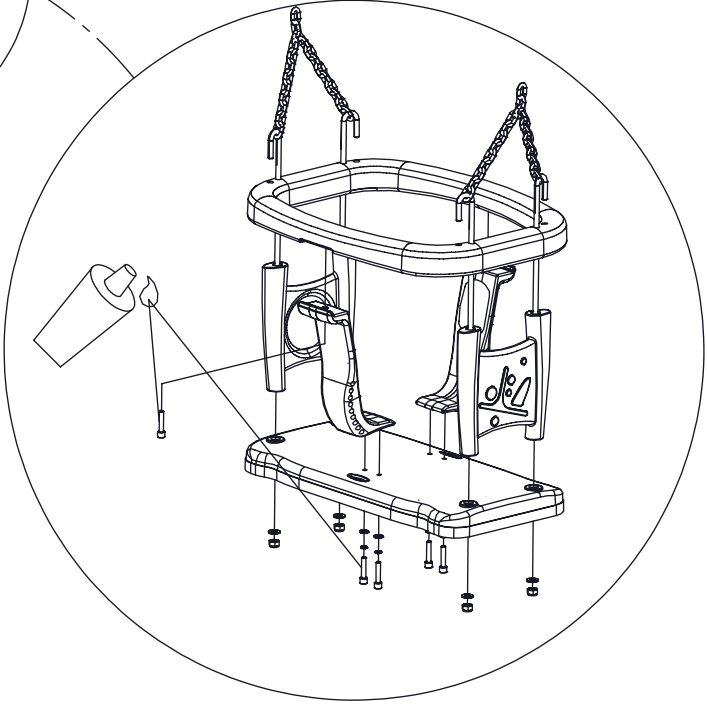
R1



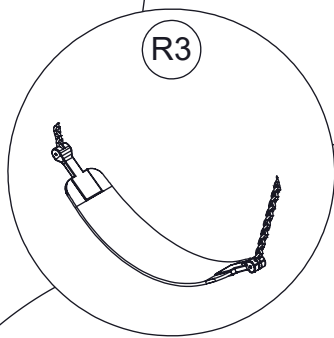
R2



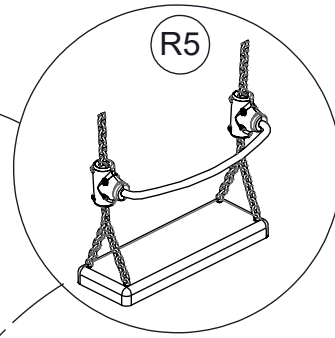
E164



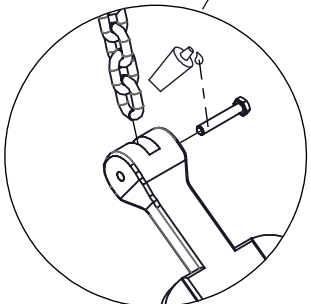
E165



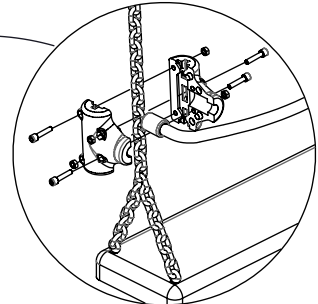
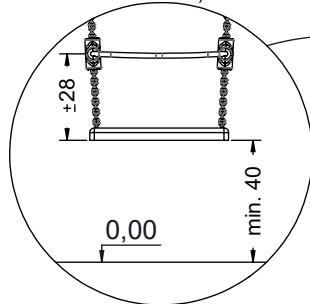
R3



R5



E166



10

17

13

4

6

8

[cm]

vinci play