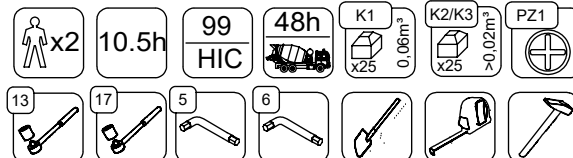
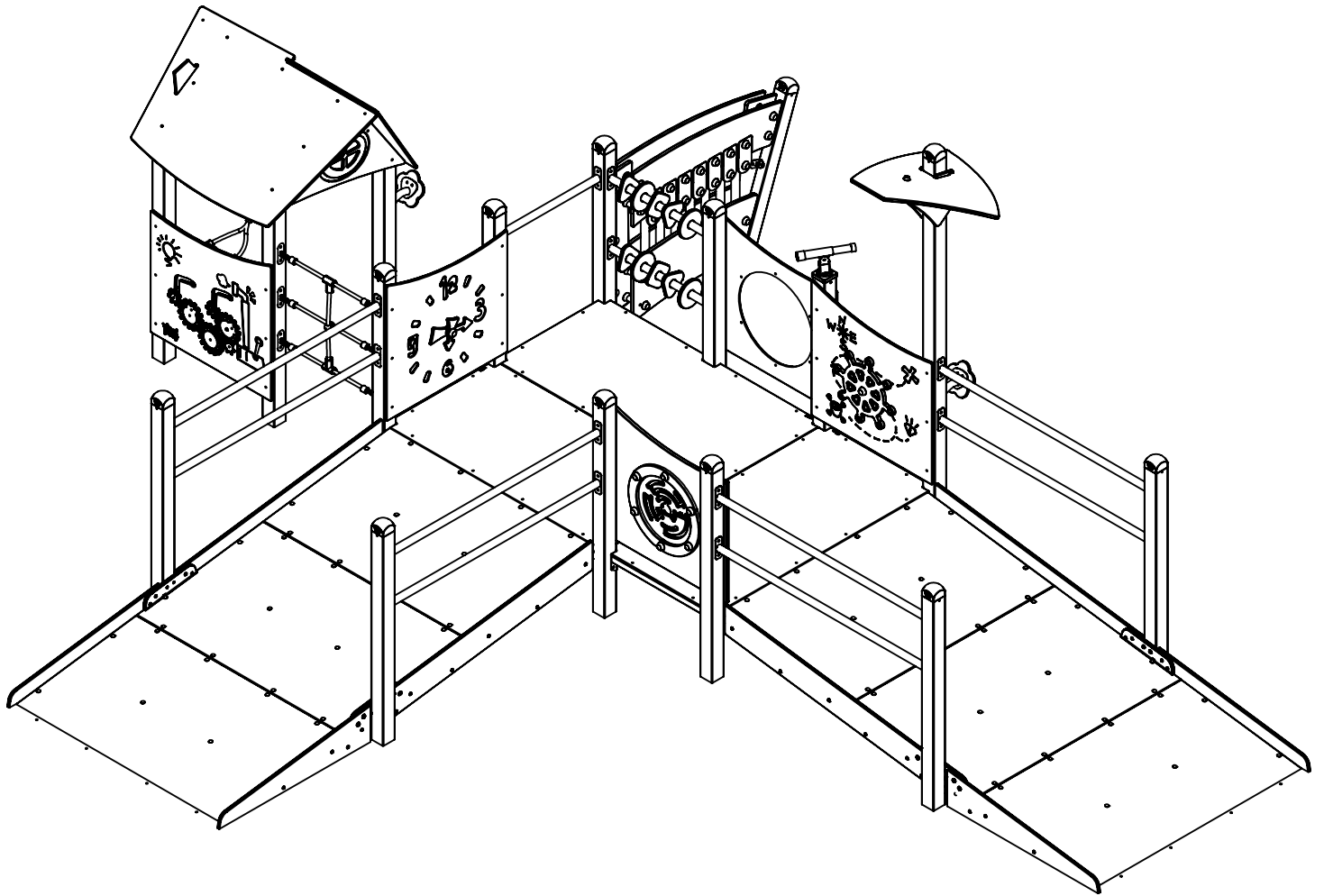


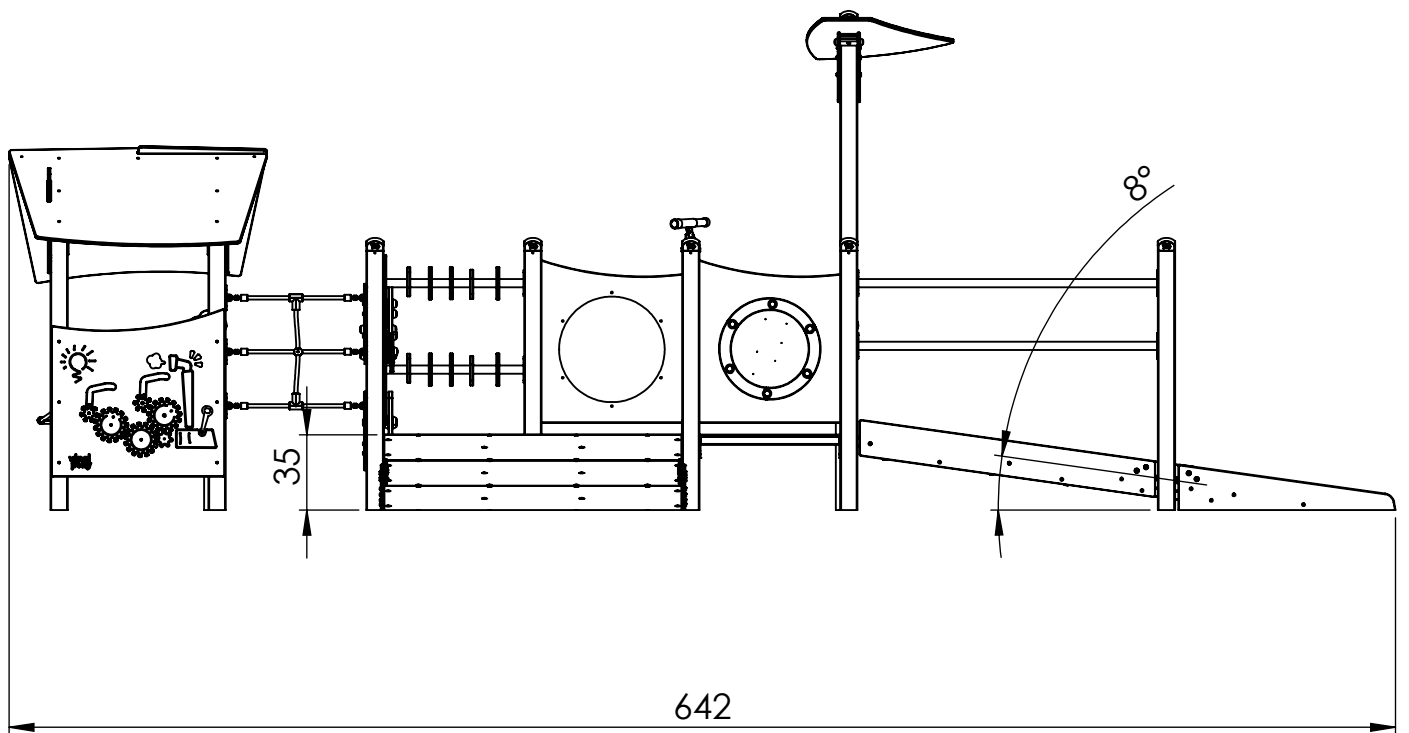
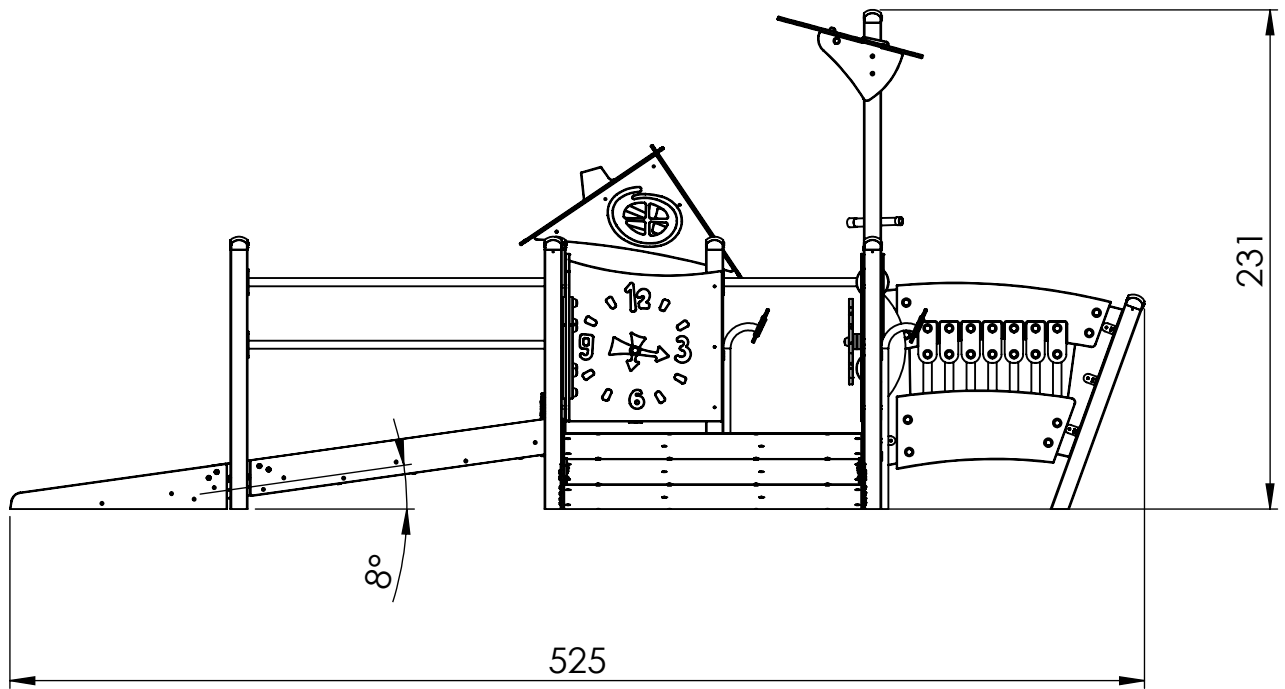
1726



[cm]

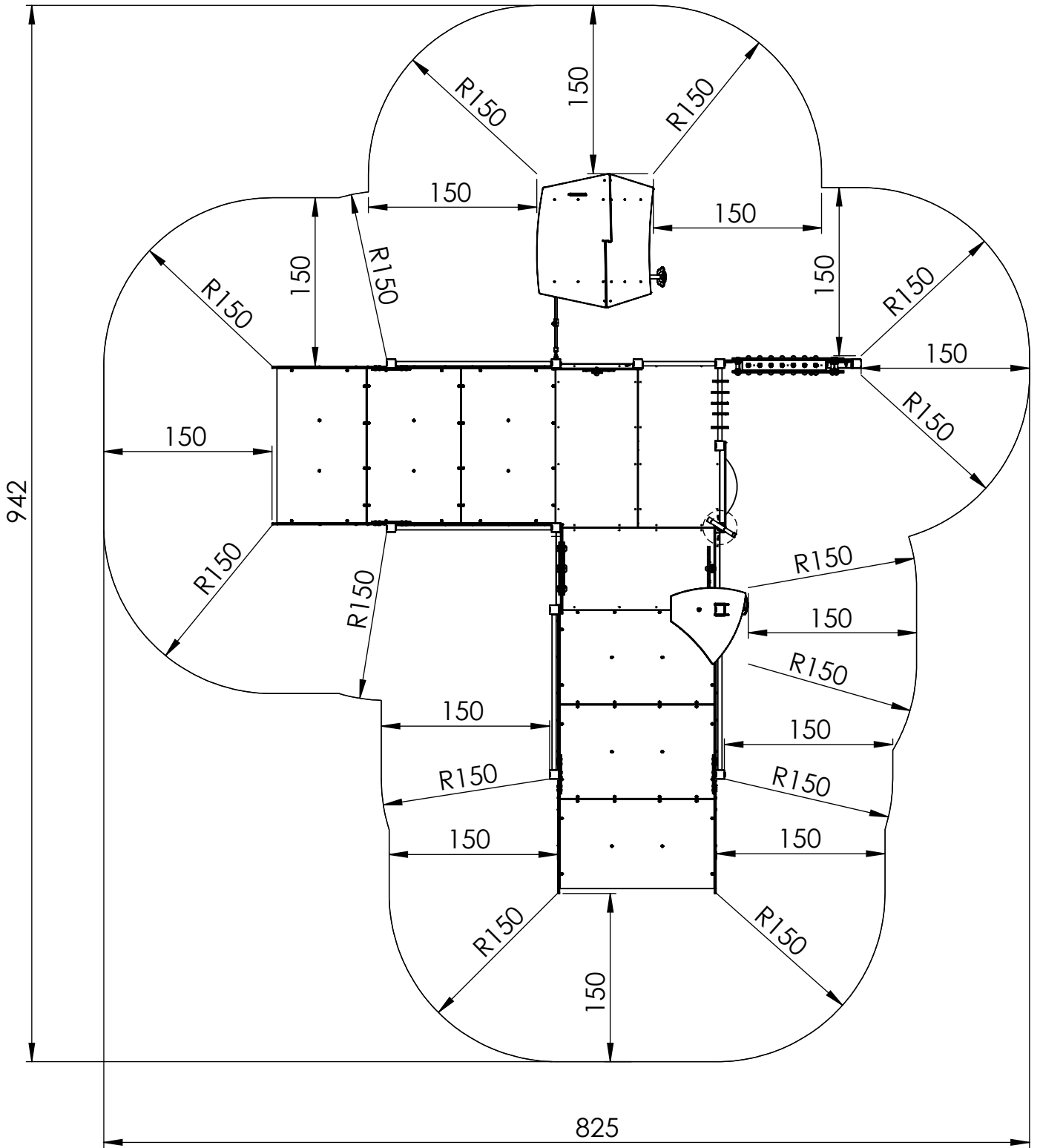
v016 / 26.10.2021
D.P.

vinci
play

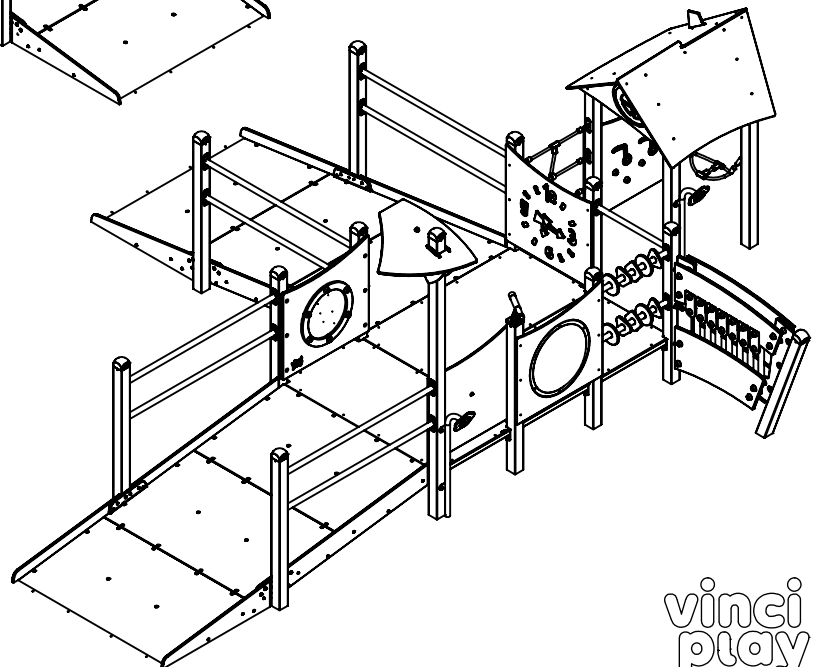
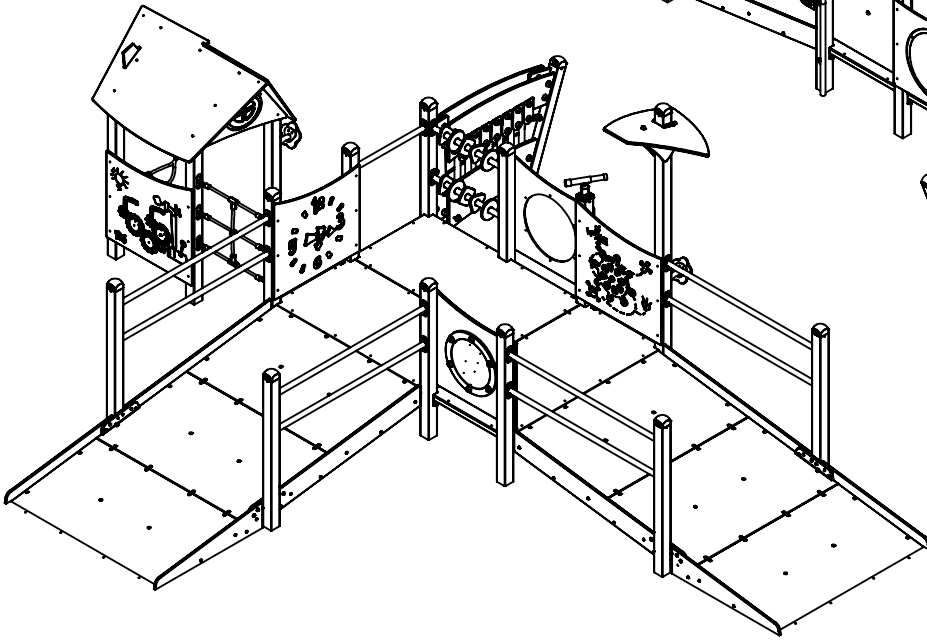
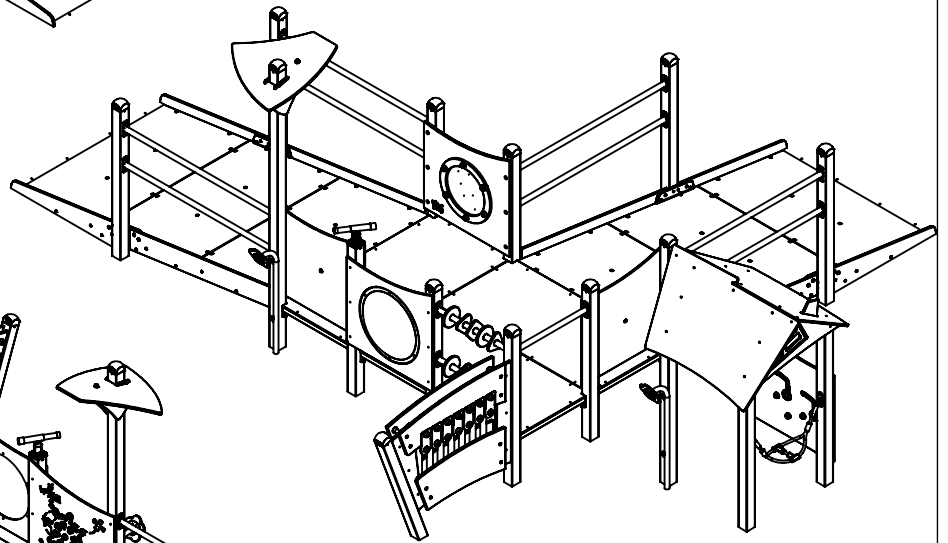
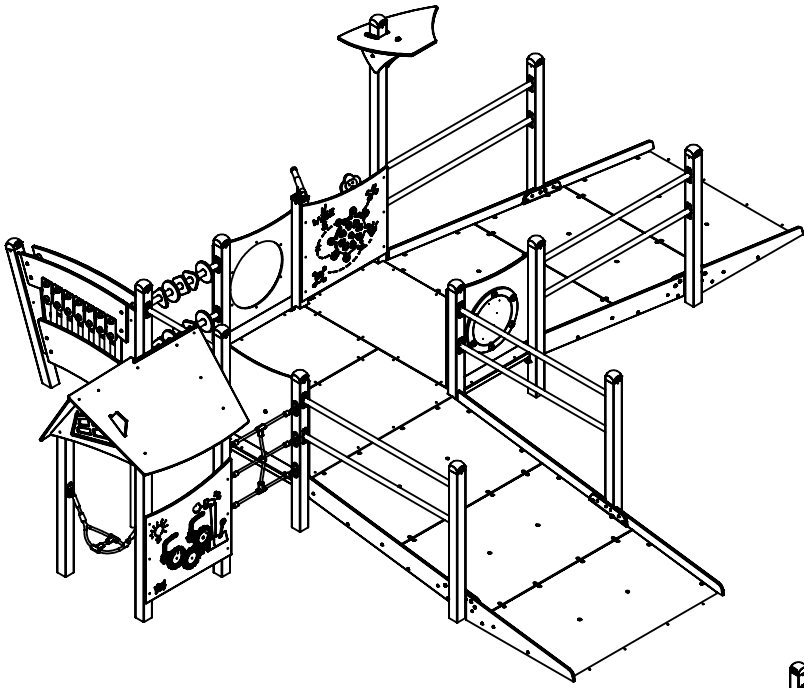


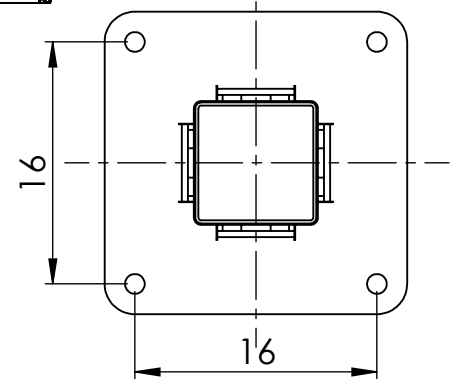
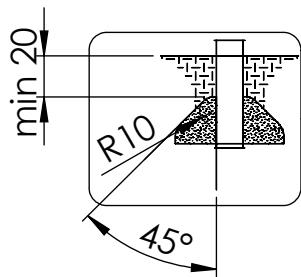
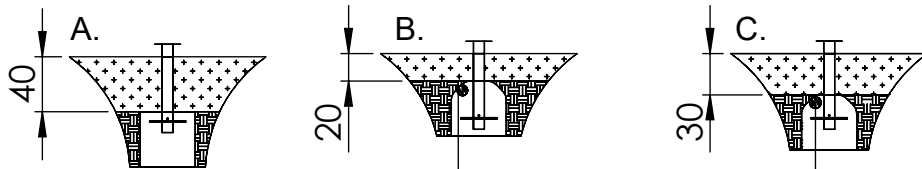
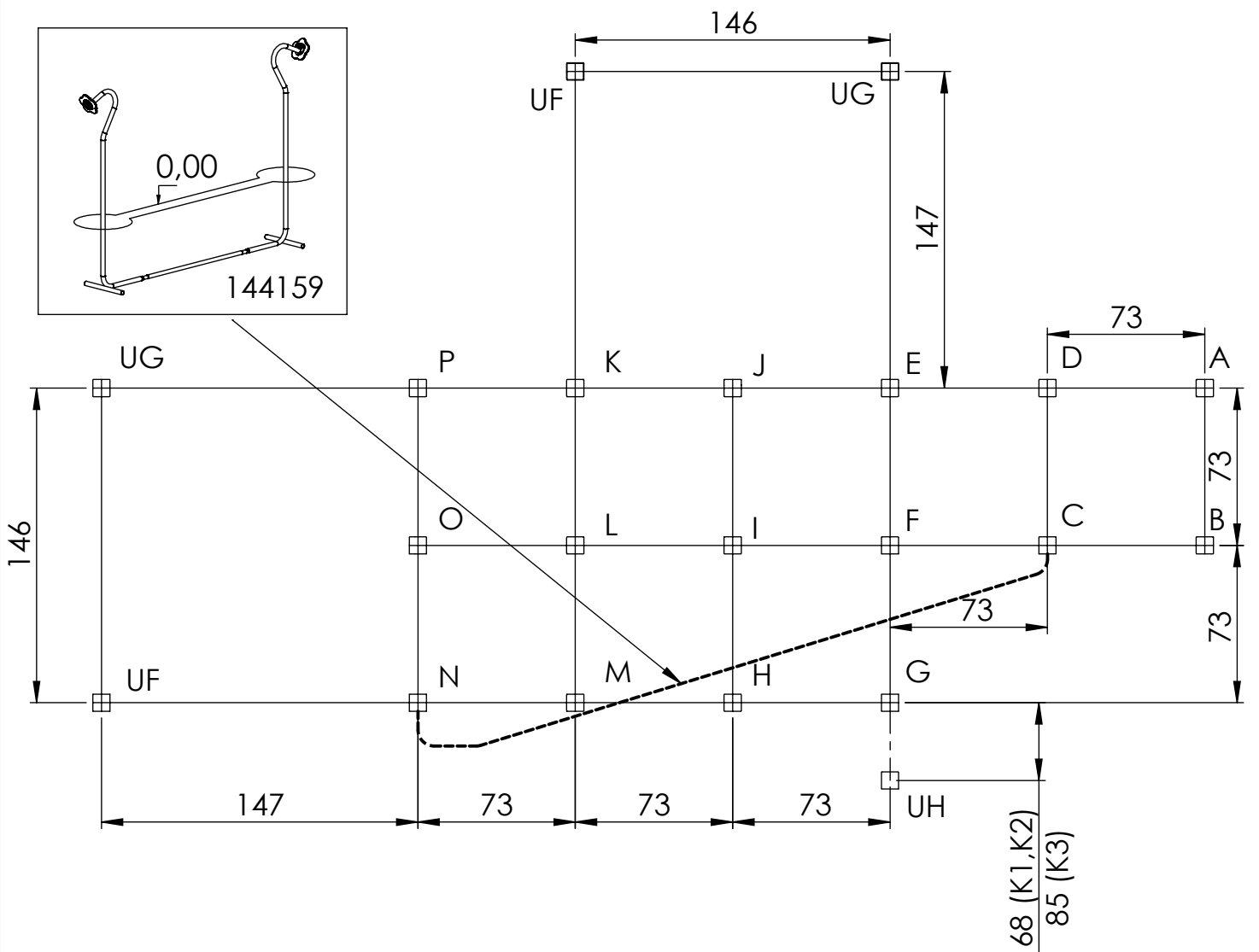
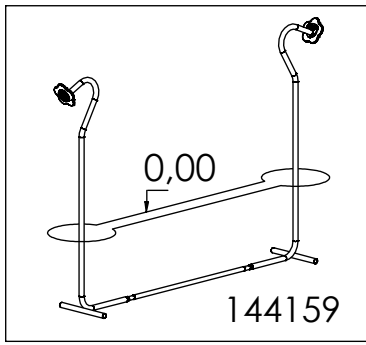
[cm]




vinci
play

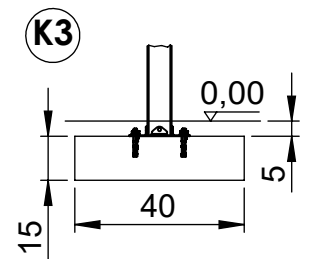
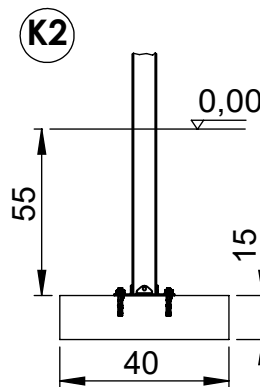
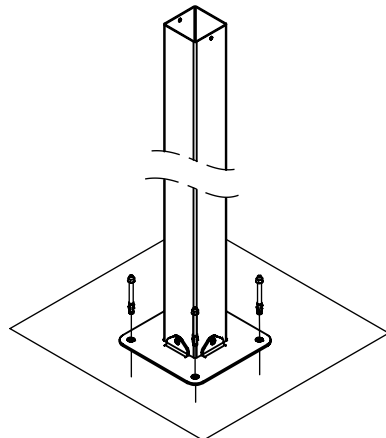


[cm]



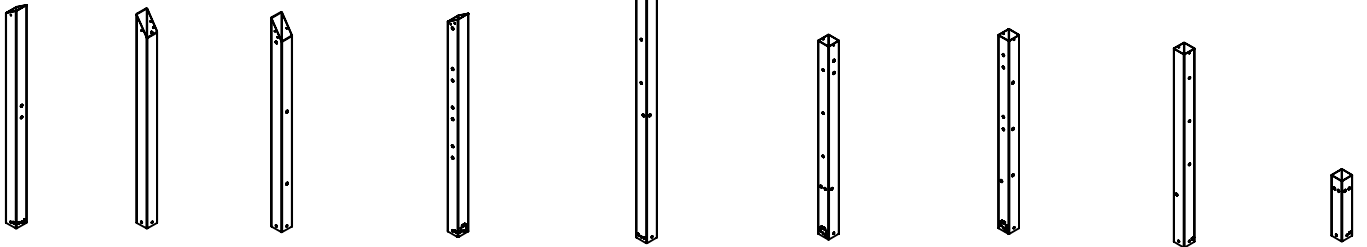


	K2, K3
M10x120 x 80	
NOT INCLUDED	

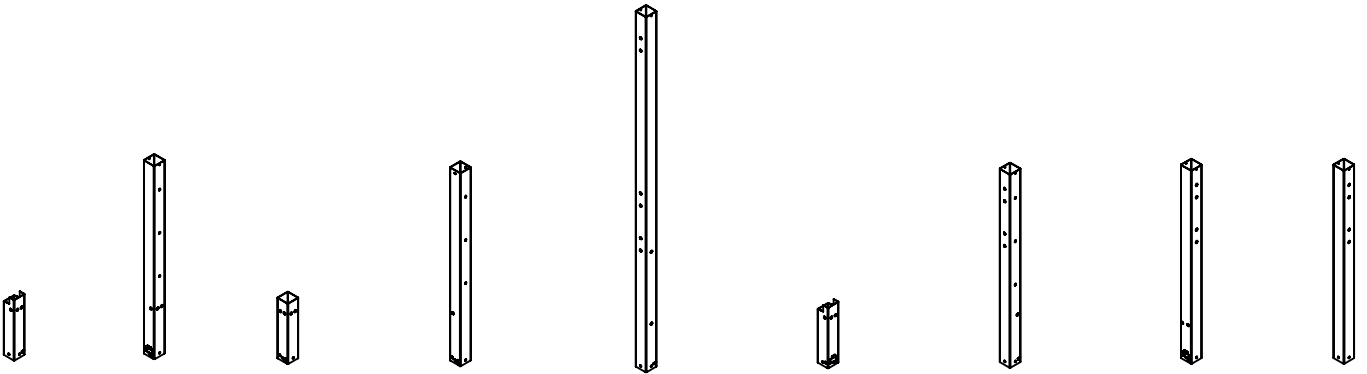


[cm]

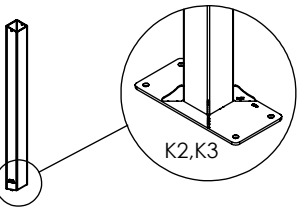
vinci
play



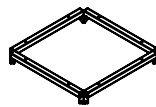
1726A x1 1726B x1 1726C x1 1726D x1 1726E x1 1726F x1 1726G x1 1726H x1 1726I x1



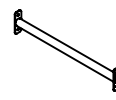
1726J x1 1726K x1 1726L x1 1726M x1 1726N x1 1726O x1 1726P x1 1726Q x2 1726R x2



17UH x1



172100 x6



142117 x1



142141 x8



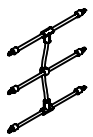
144126 x2



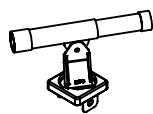
174128 x1



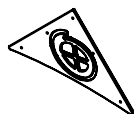
996115 x1



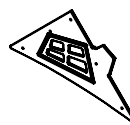
175106 x1



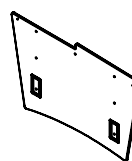
174136 x1



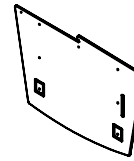
171102 x1



171103 x1



171100 x1



171101 x1



171113 x1



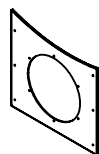
171115 x2



021146 x2



021149 x1



171124 x1



996184 x1



174112 x1



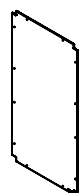
171155 x1



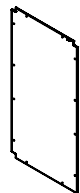
174116
x1



174105
x1



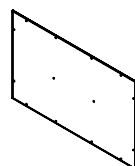
171154
x1



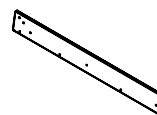
171193
x1



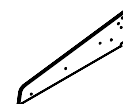
171194
x1



171153
x6



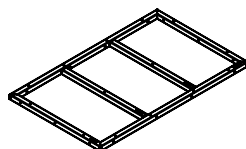
171159
x4



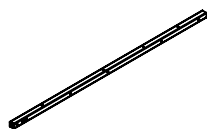
171223
x4



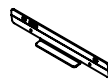
171227
x4



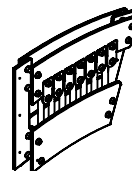
172113
x6



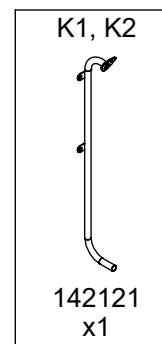
173108
x4



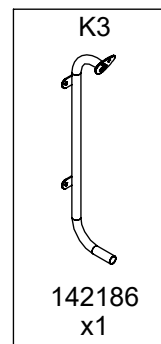
b334
x4



174119
x1



K1, K2
142121
x1



K3
142186
x1

K1, K2



171276
x4

K2, K3



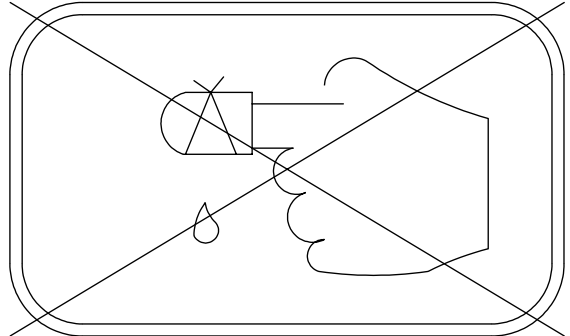
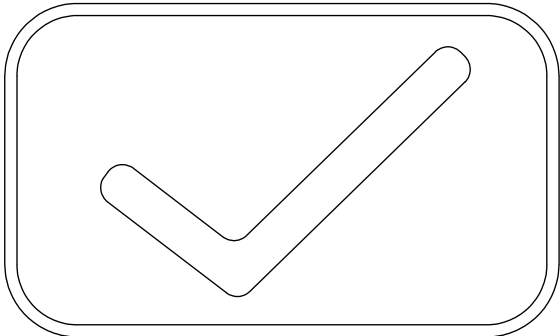
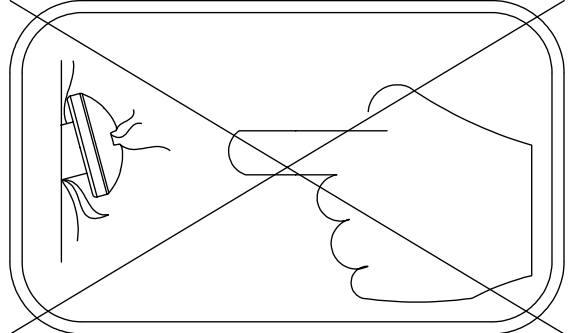
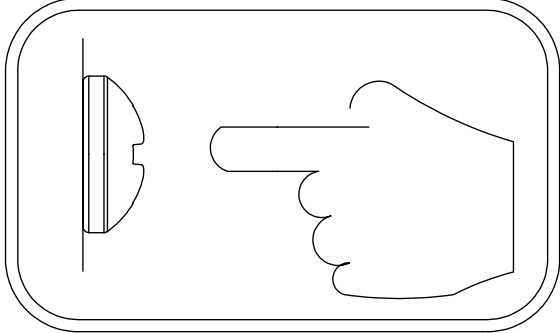
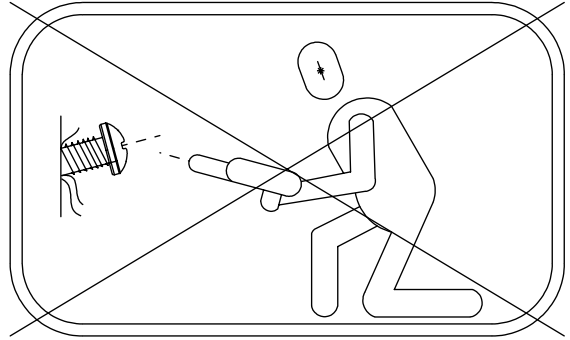
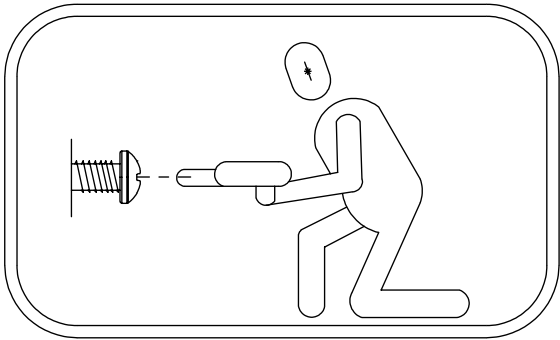
b231
x20

Qty.	ST/INOX
80	10 pp*
80	10 nh*
80	10x20 m*
120	10x25 ikl
12	10x30 ikl
64	10 pp
20	8x25 ikl
12	8x30 ikl
2	8 pp
1	17e050
3	17e066
2	17e027 (K1)
2	17e028 (K2)
2	17e029 (K3)
4	20-32op
1	V001

Qty.	HDPE
1	17c010
1	17c020
1	17c032
1	17c040
2	17c042
1	17c046
1	17c048
4	17c066
2	17c102

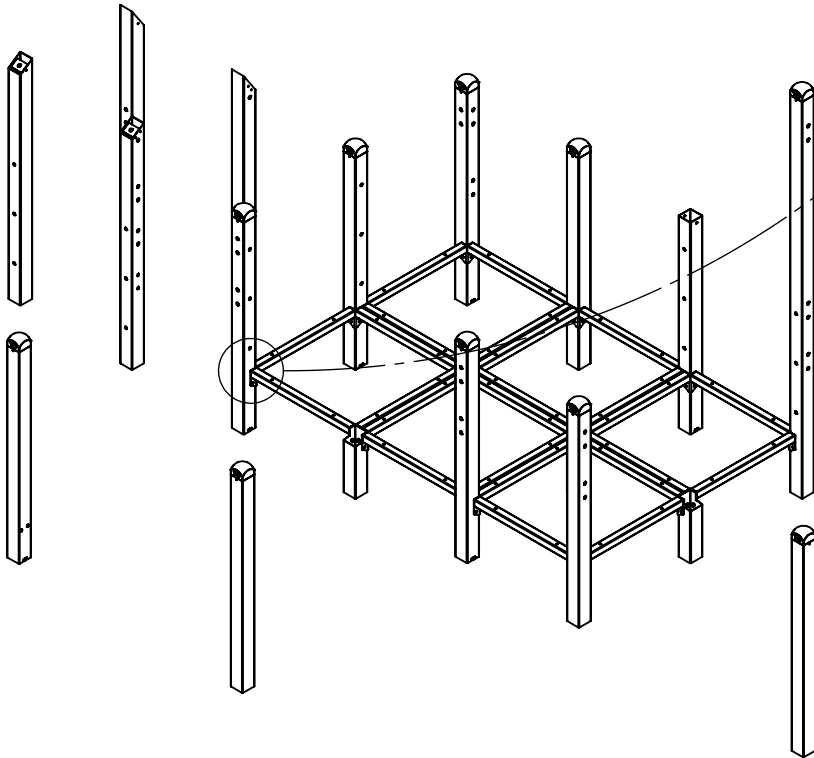
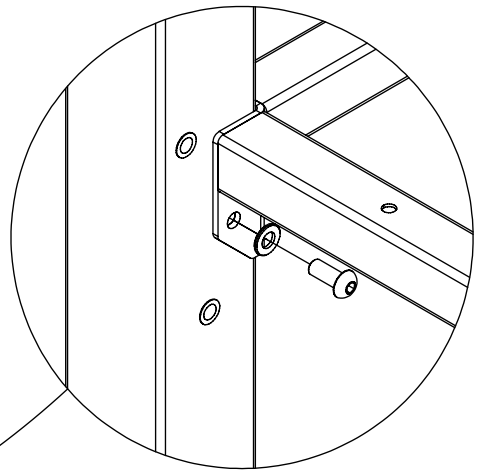
Qty.	HPL
2	17p005
2	17p007
2	17p041
2	17p043

*K2, K3

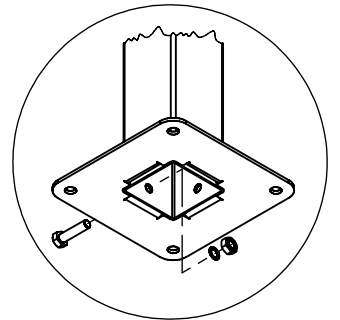


48x 10x25ikl

48x 10pp



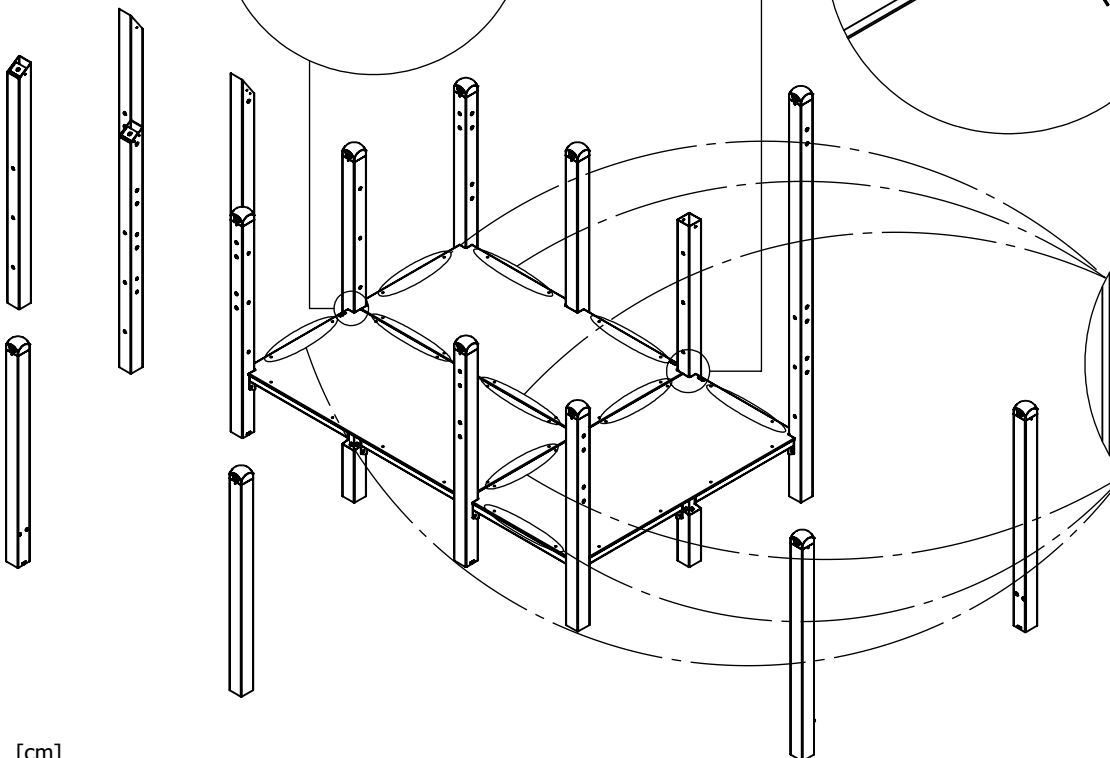
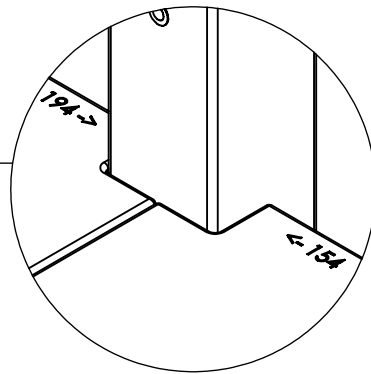
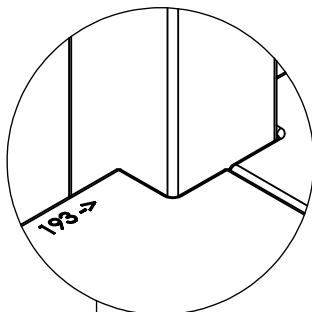
K2, K3



80x 10x20m

80x 10pp

80x 10nh



2x 17p005

2x 17p007

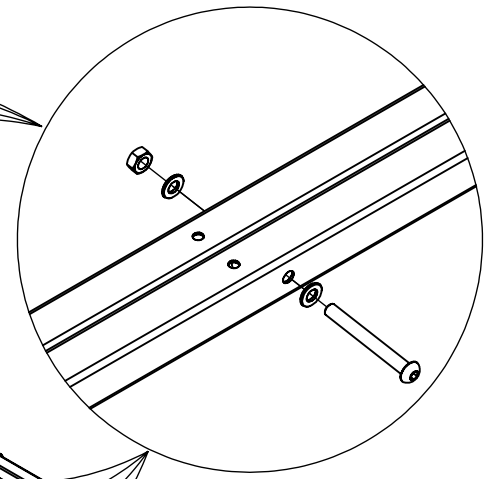
[cm]

vinci
play

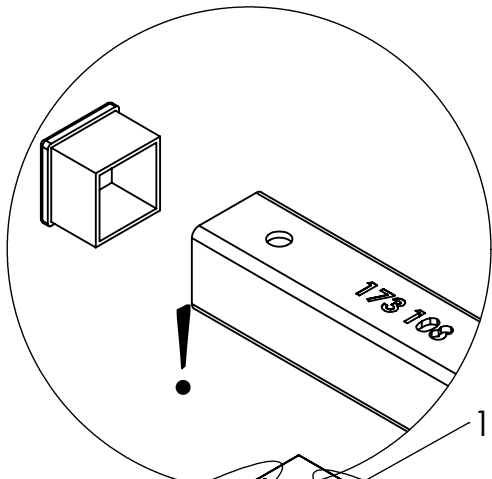
172113

172113

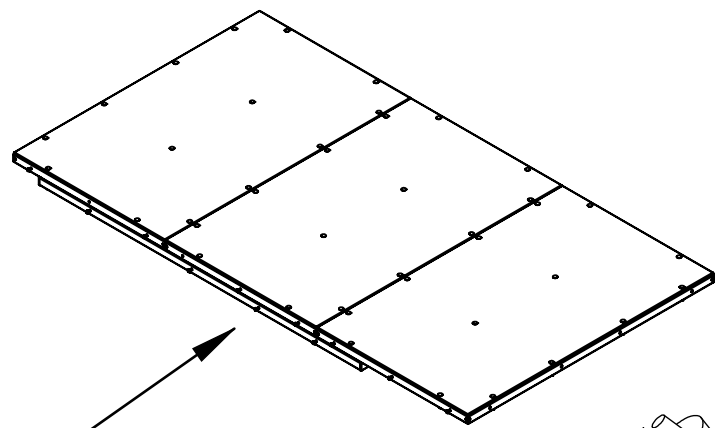
172113



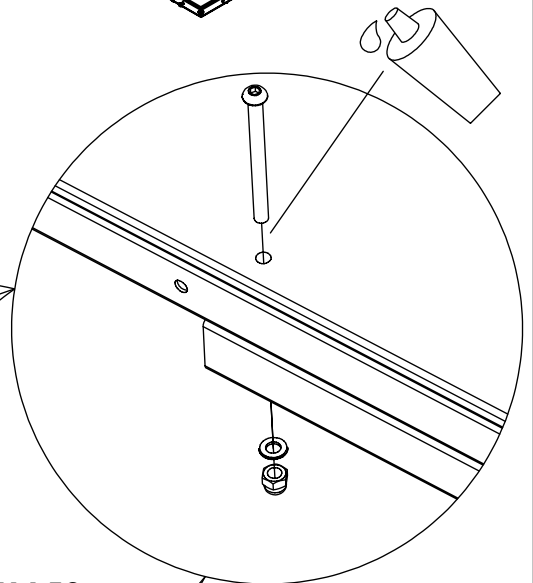
2x 17p041



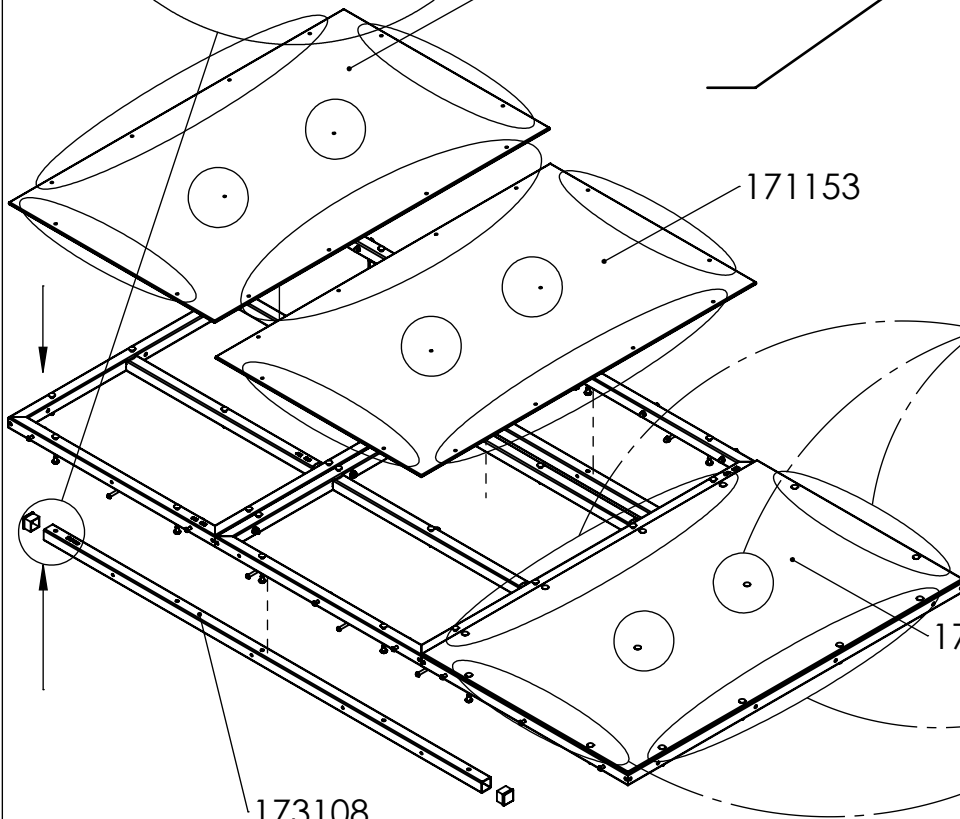
171153



171153



171153

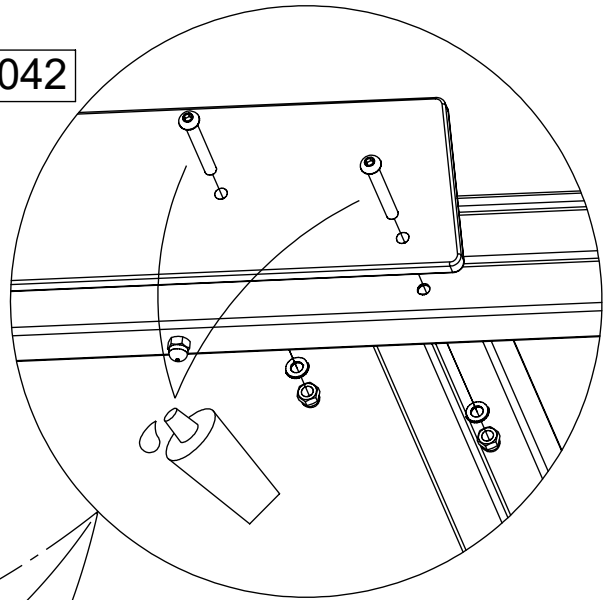


173108

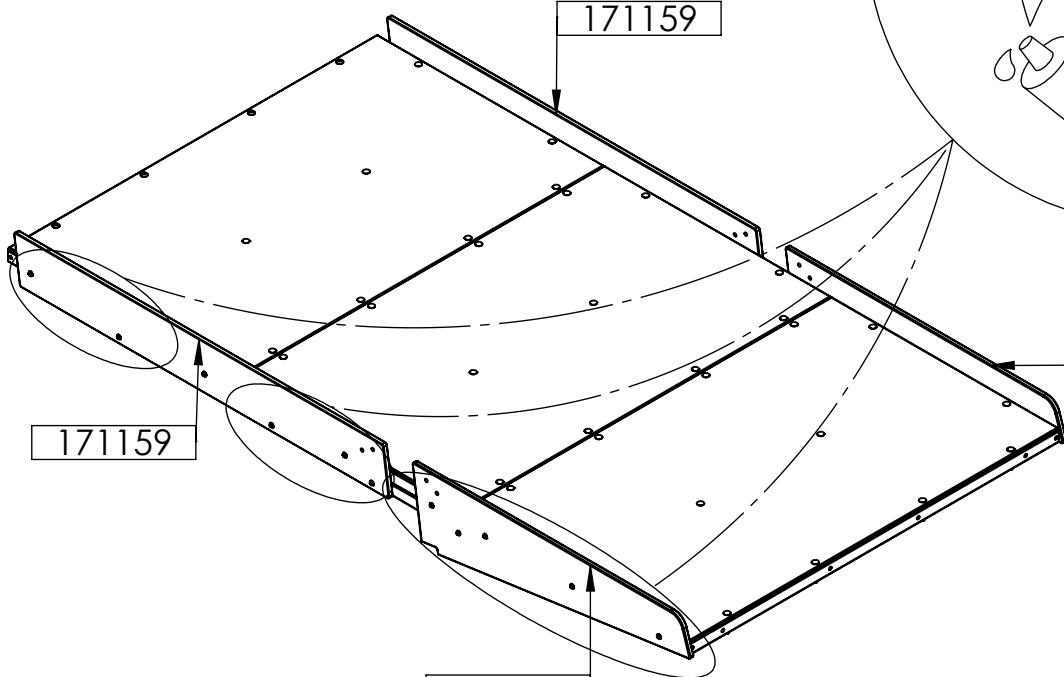
[cm]

vinci
play

2x 17c042



171159

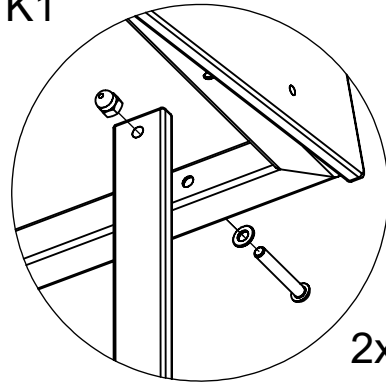


171223

171159

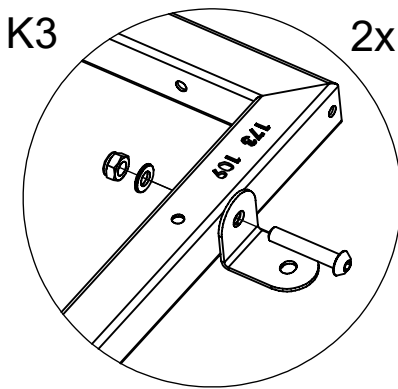
171223

K1



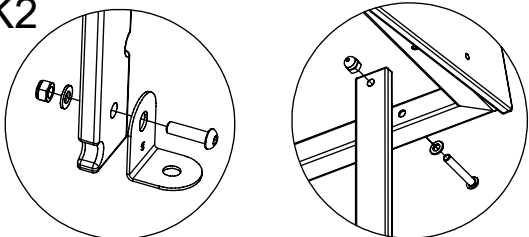
2x 17e027

K3



2x 17e029

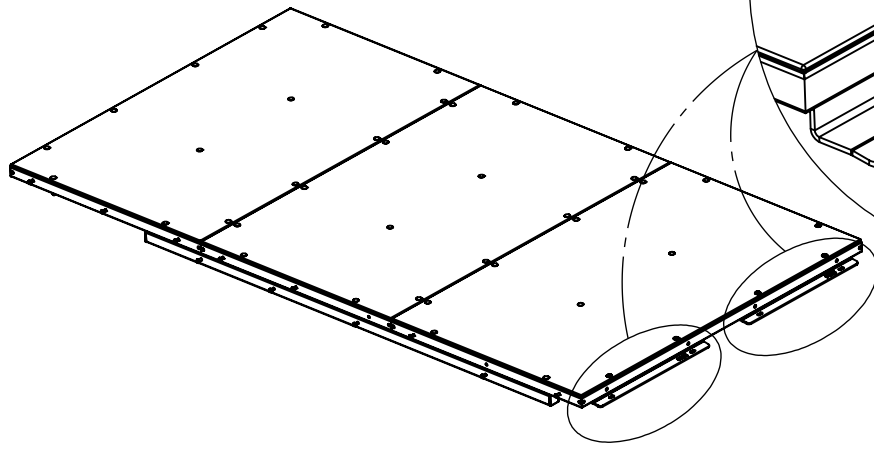
K2



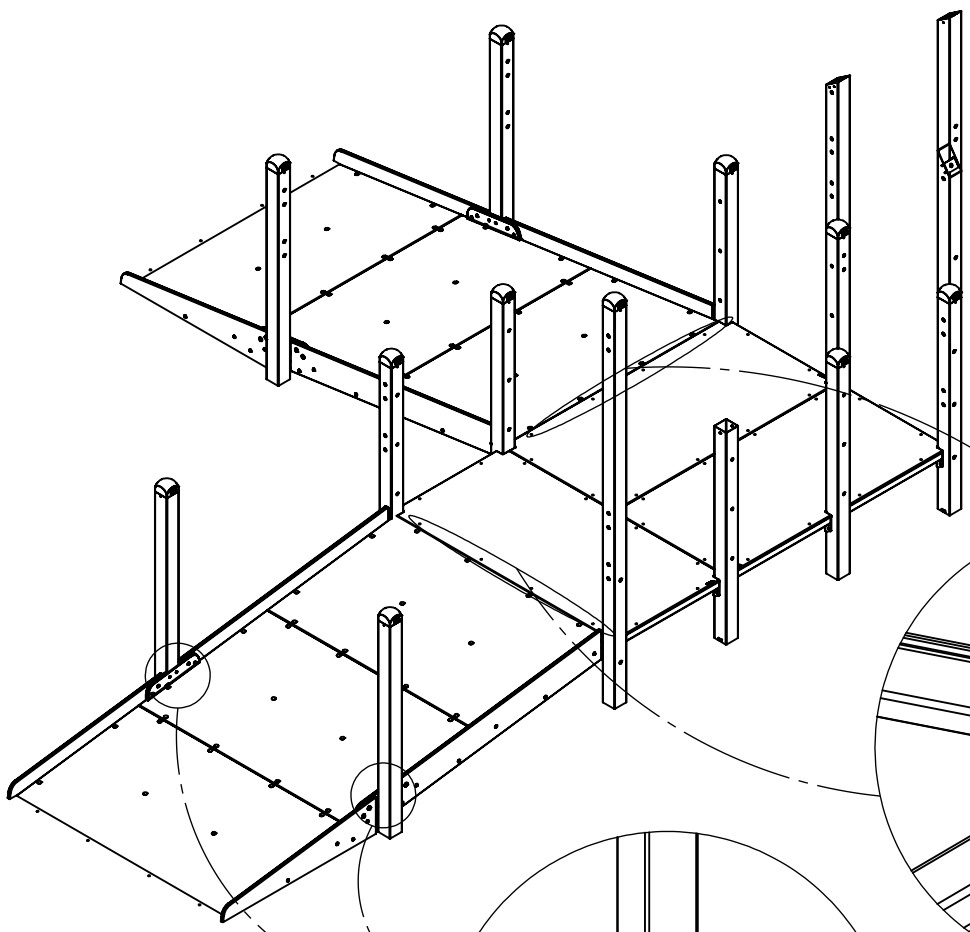
2x 17e028

[cm]

vinci play

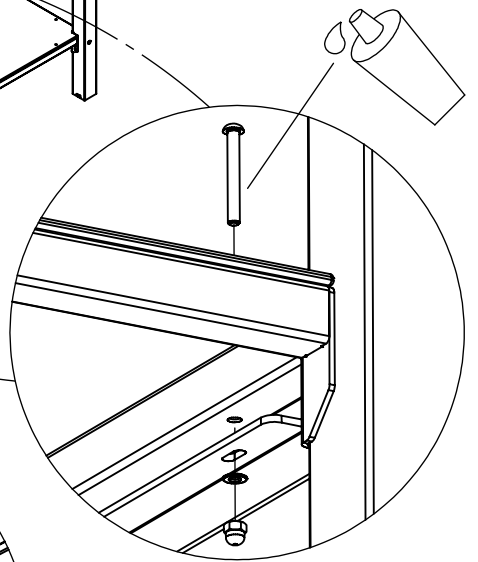
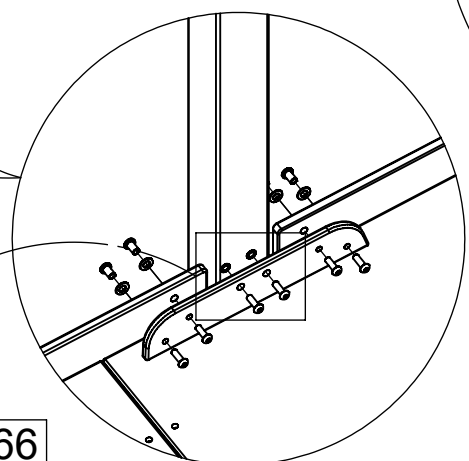


2x 17p043



8x 10x25ikl

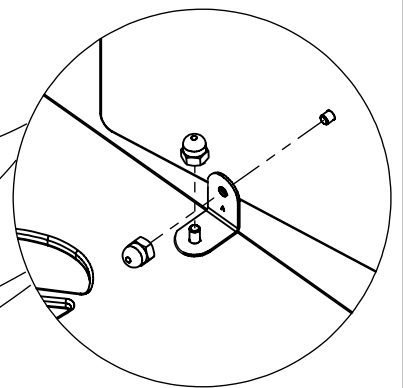
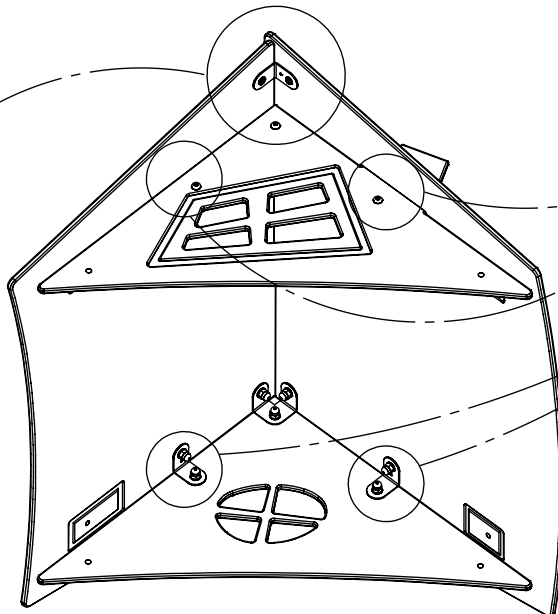
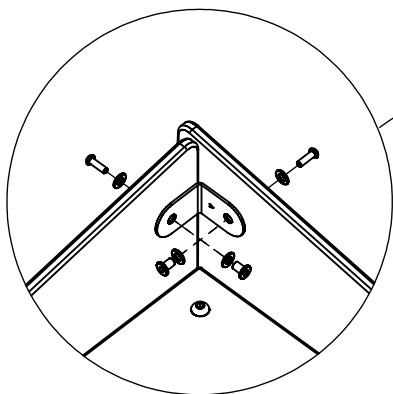
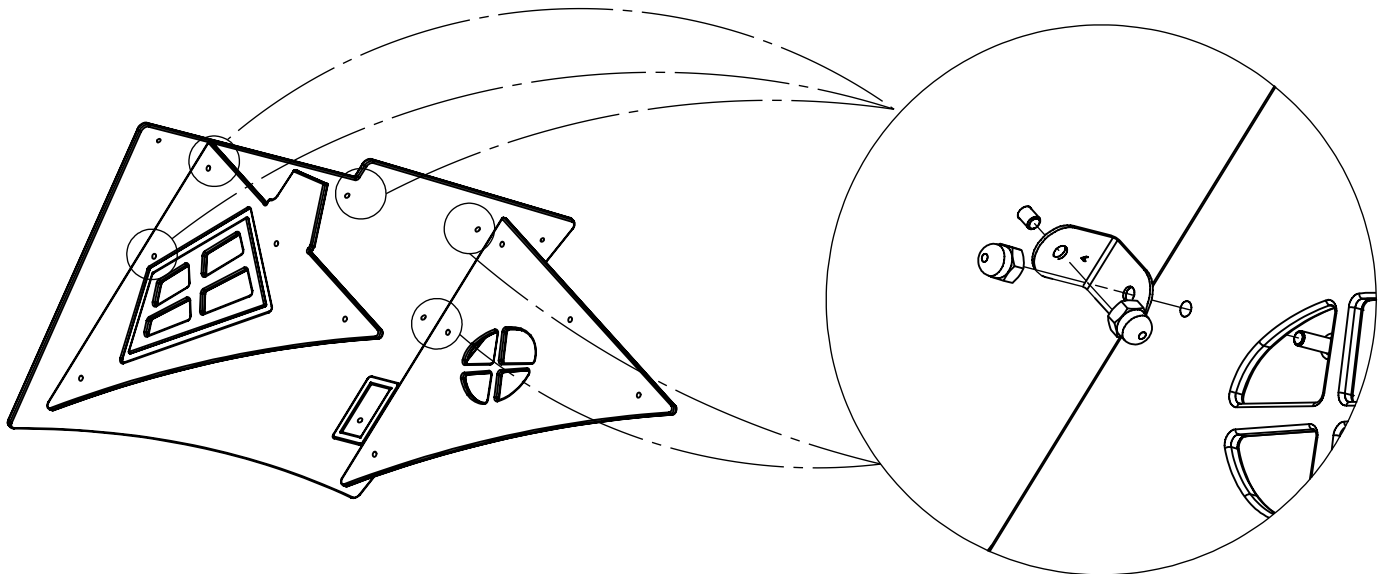
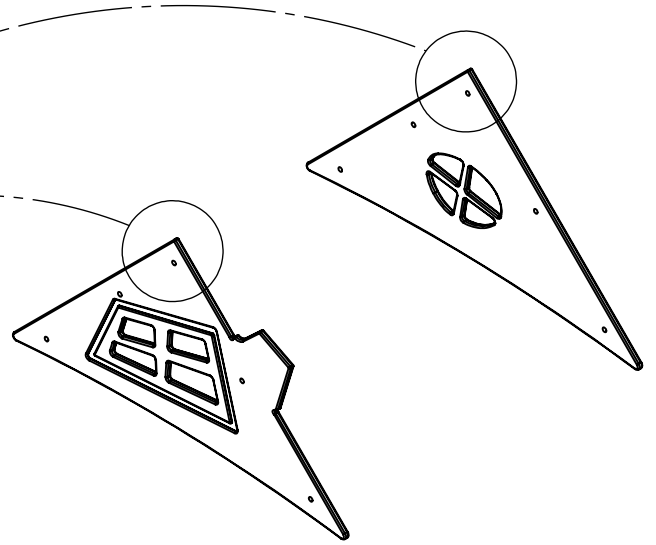
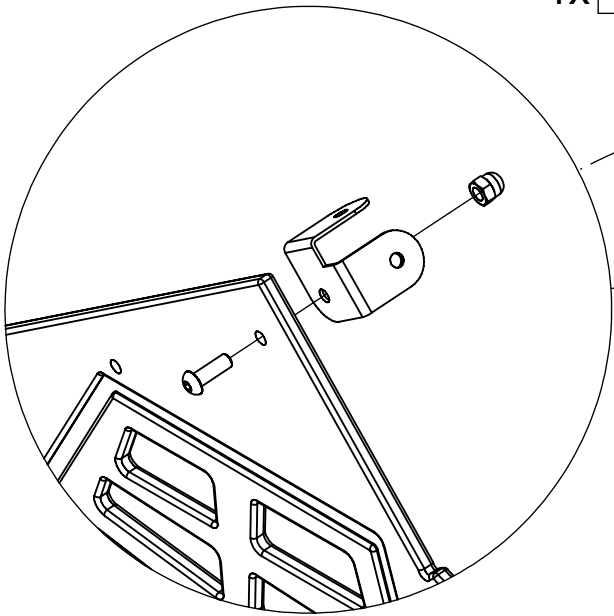
4x 17c066



[cm]

vinci play

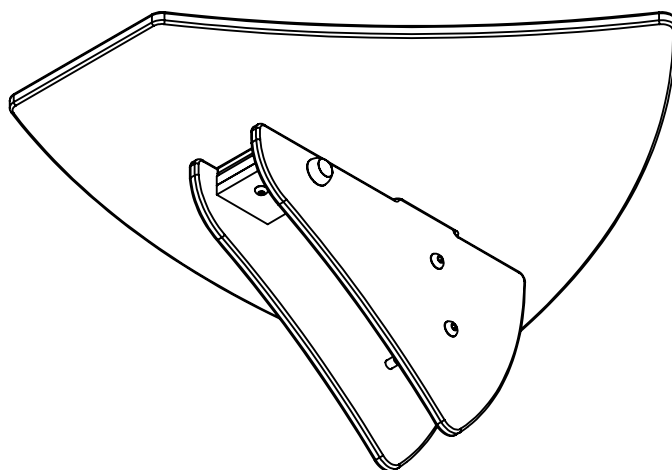
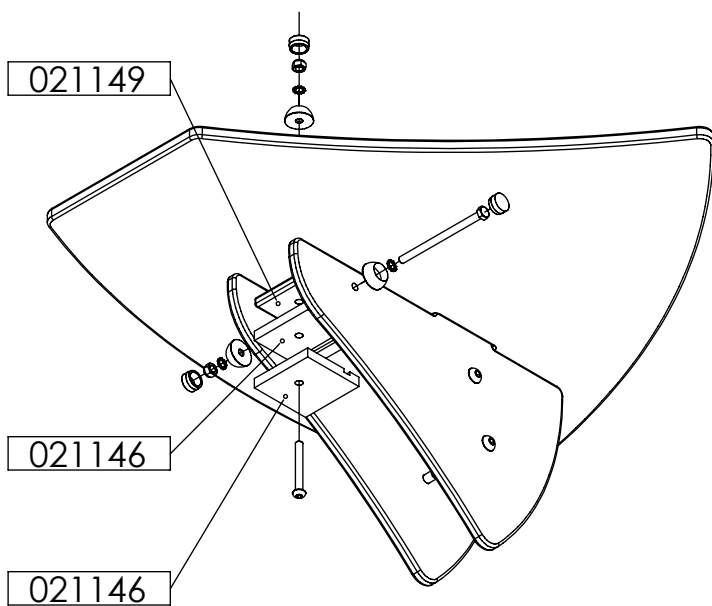
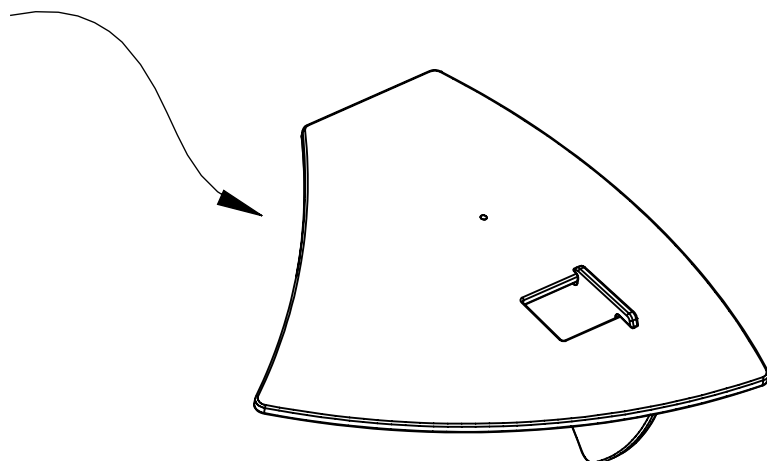
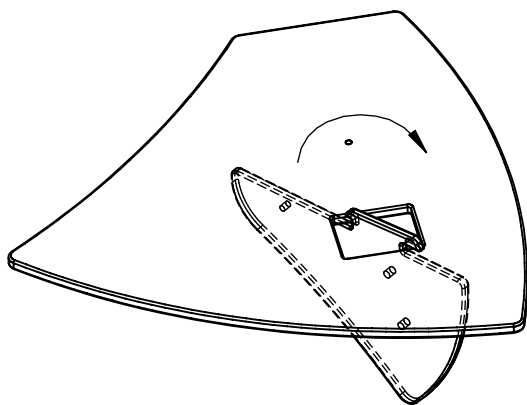
1x 17c020



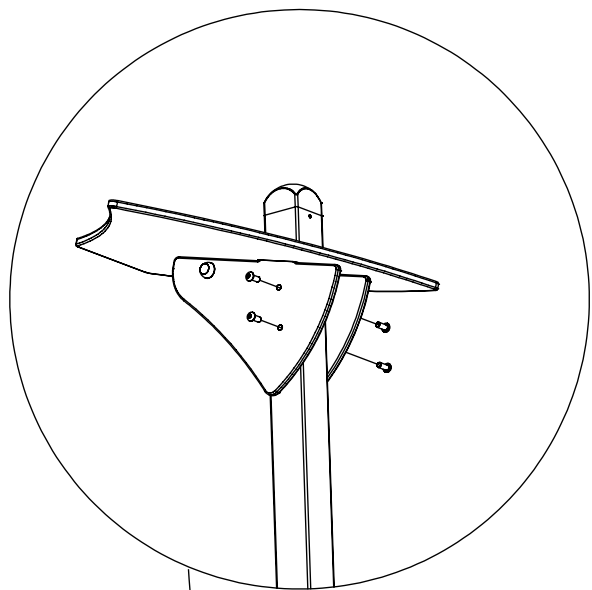
[cm]

vinci
play

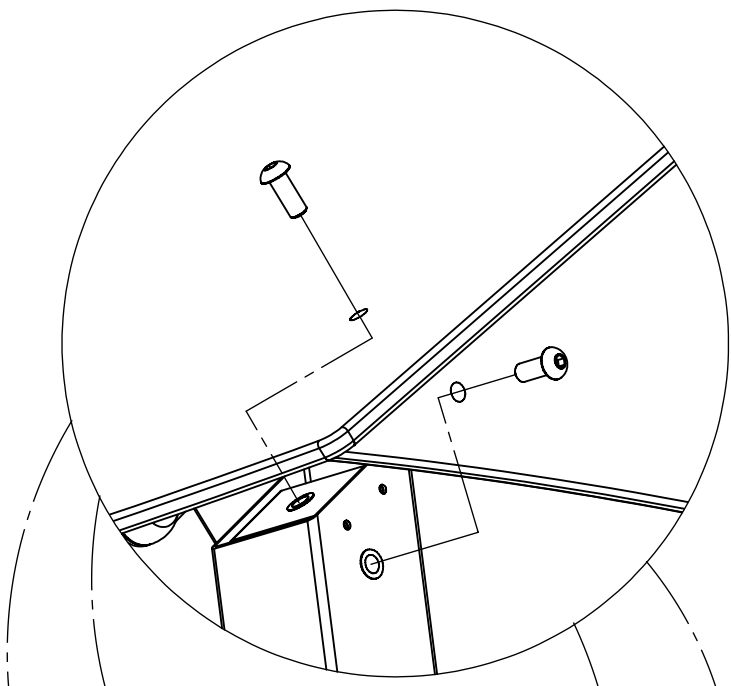
1x 17c032



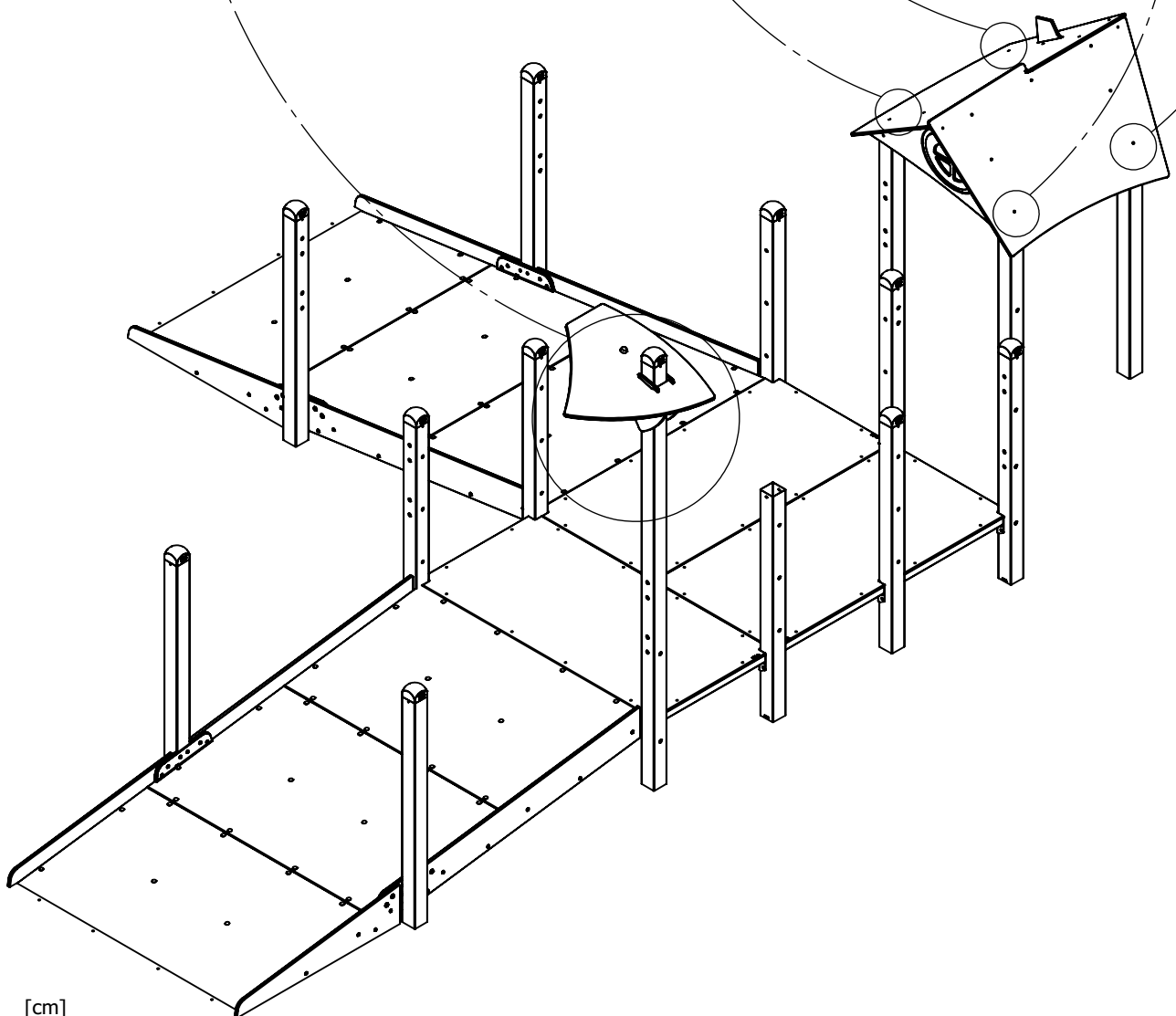
[cm]



4x 10x30ikl



8x 10x30ikl



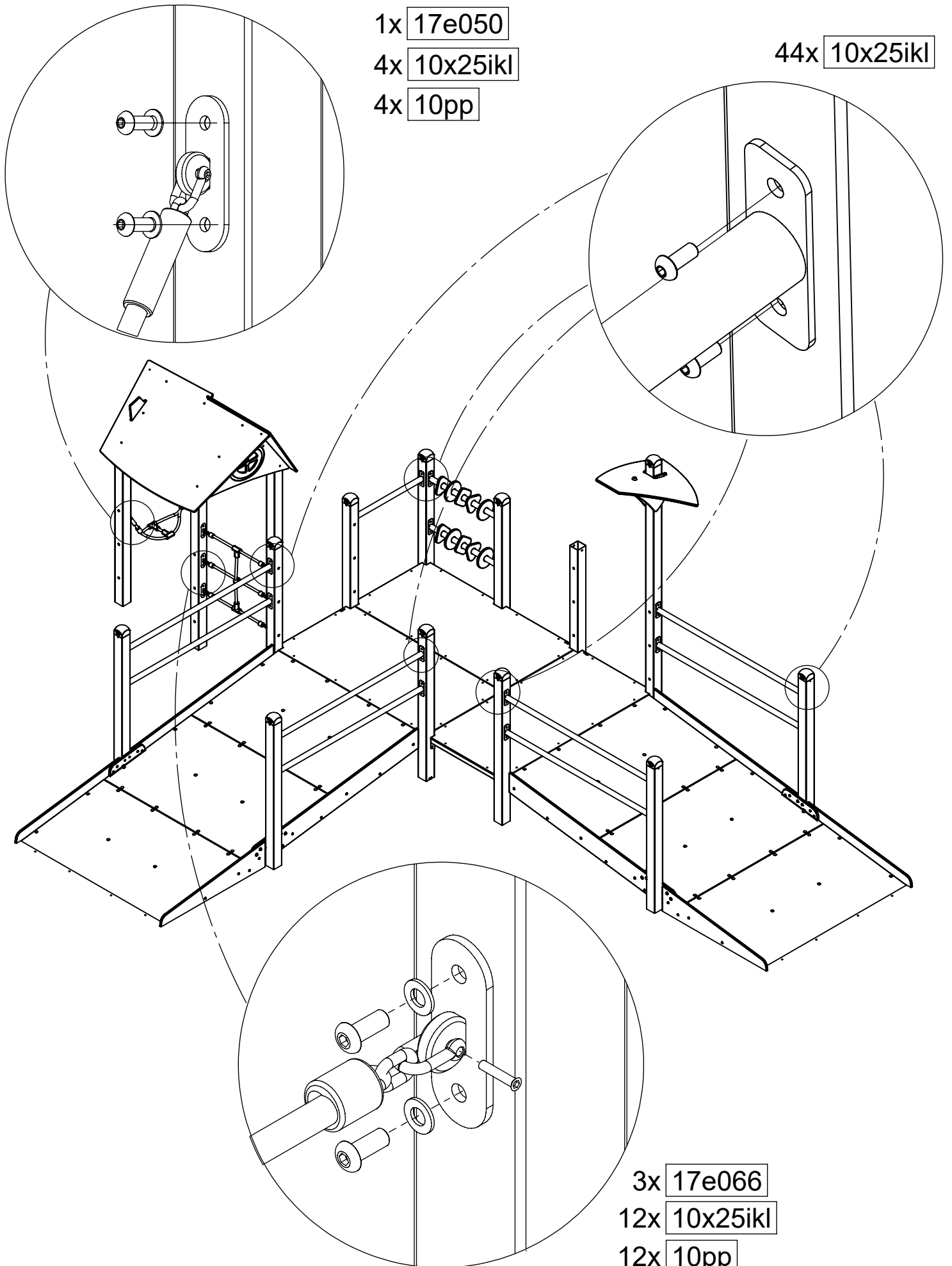
[cm]

1x 17e050

4x 10x25ikl

4x 10pp

44x 10x25ikl



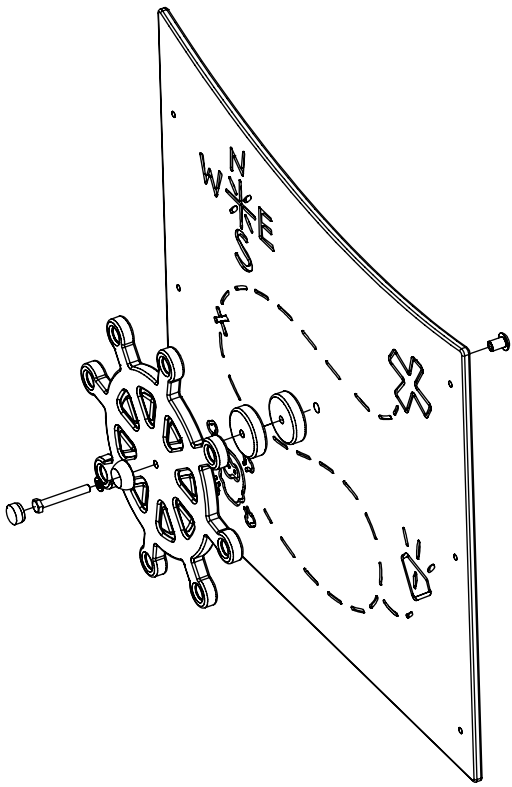
3x 17e066

12x 10x25ikl

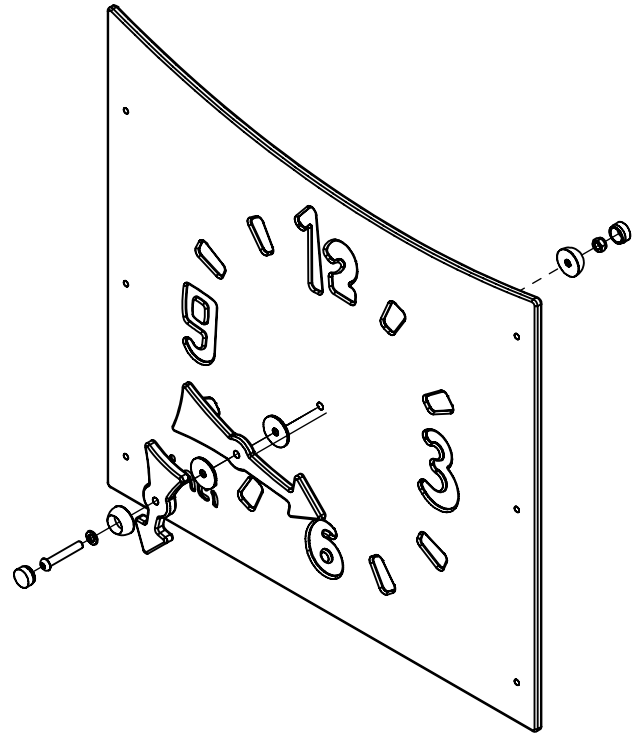
12x 10pp

[cm]

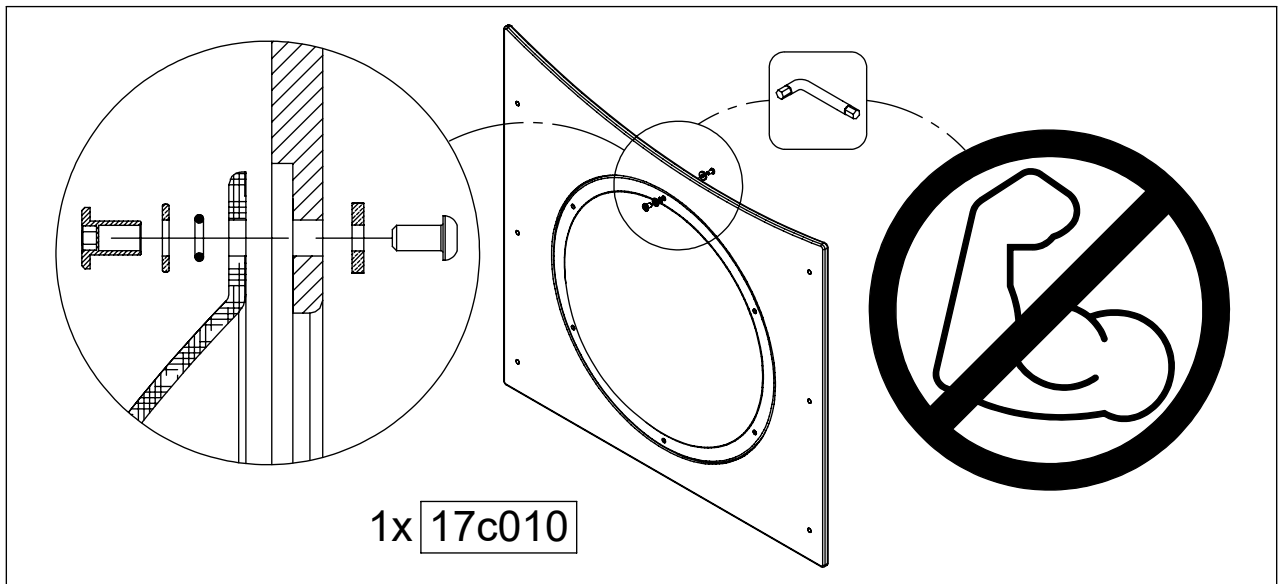
vinci
play



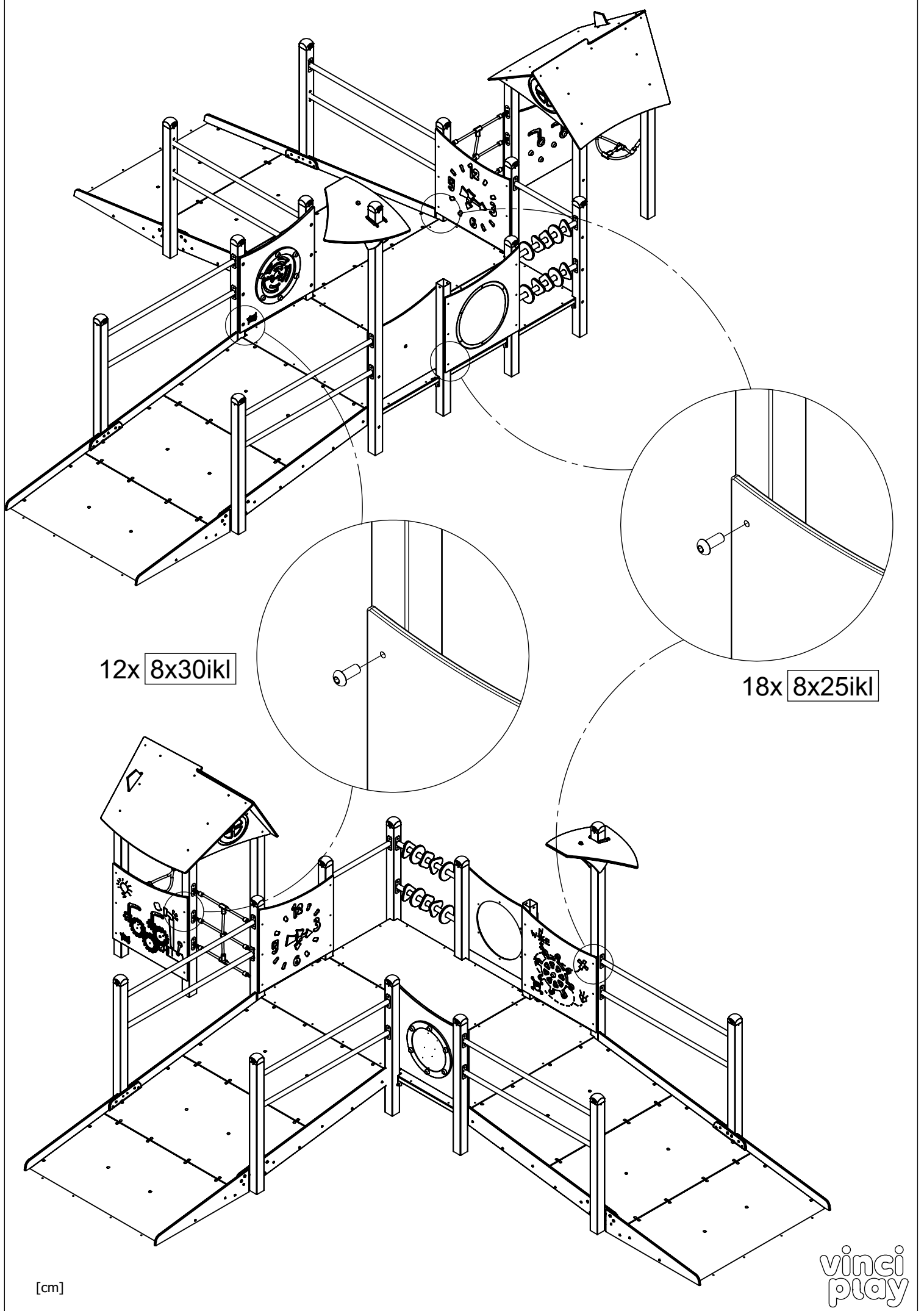
1x 17c040



1x 17c048



1x 17c010



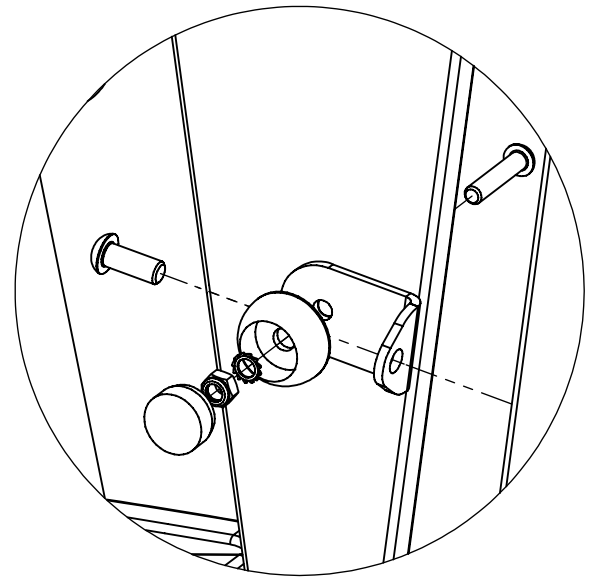
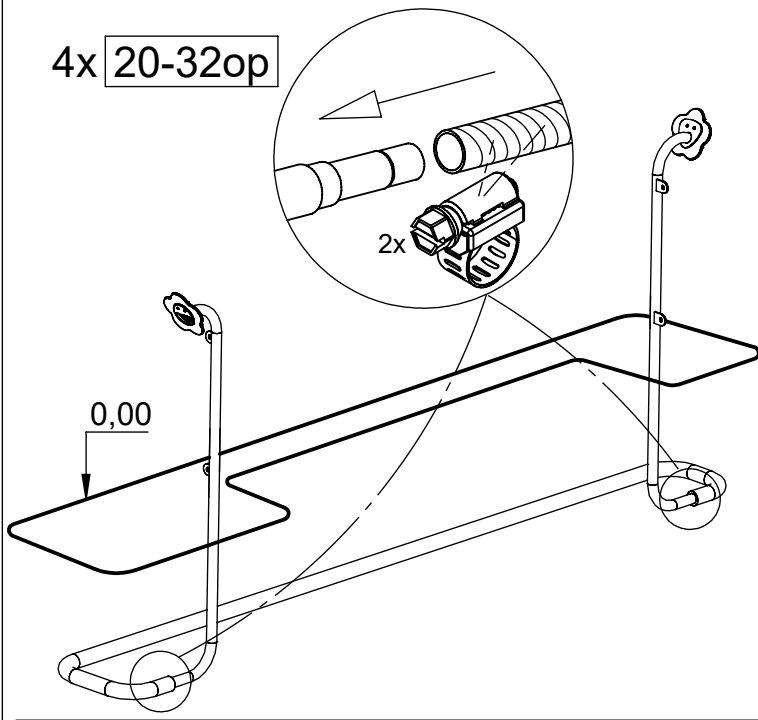
12x 8x30ikl

18x 8x25ikl

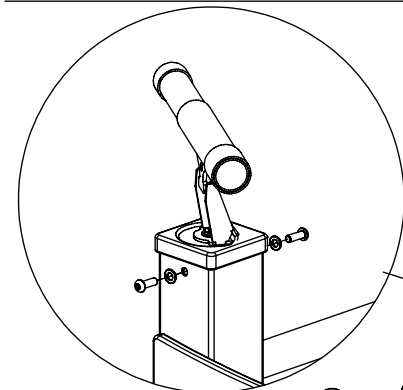
[cm]

vinci
play

4x 20-32op

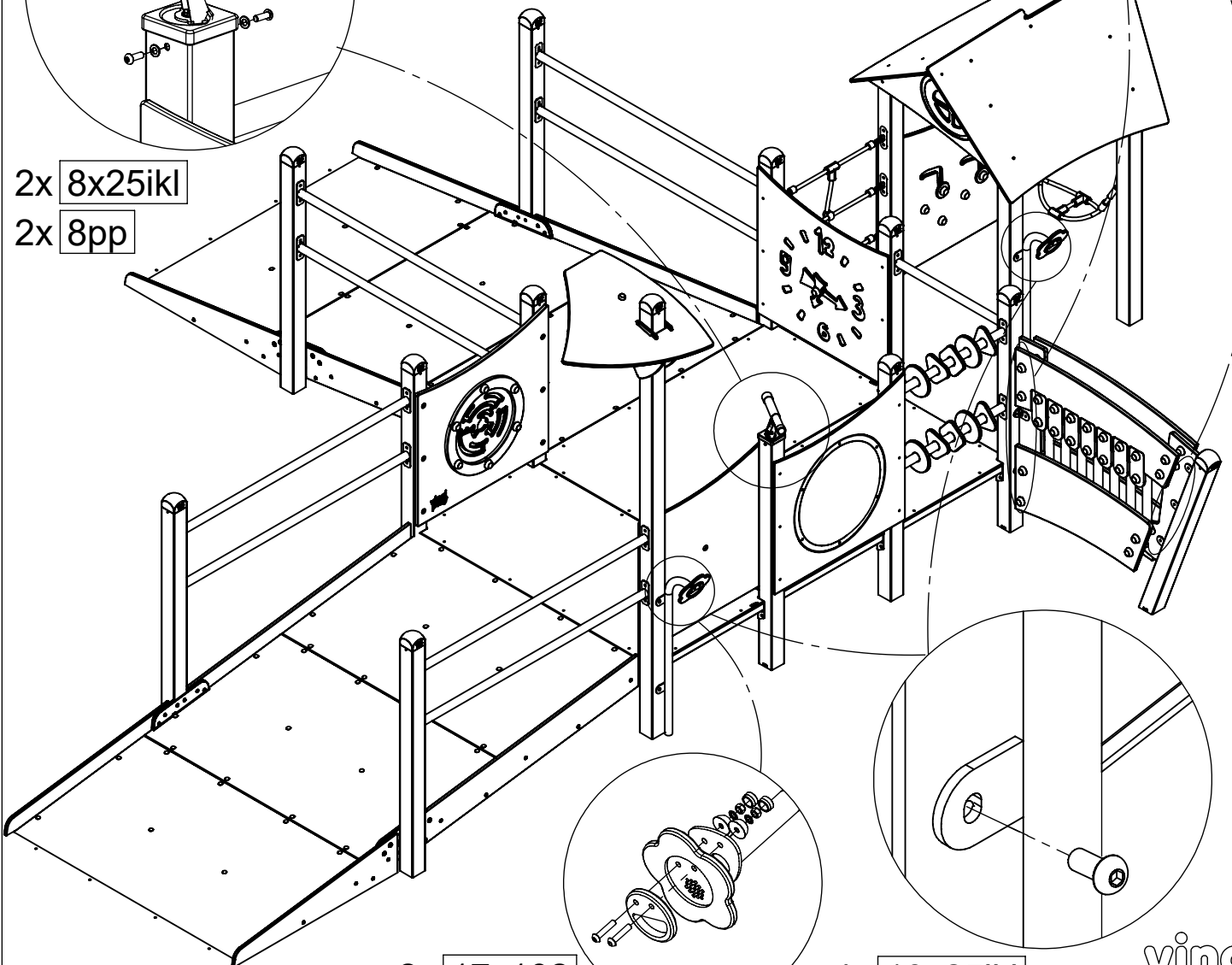


1x 17c046



2x 8x25ikl

2x 8pp



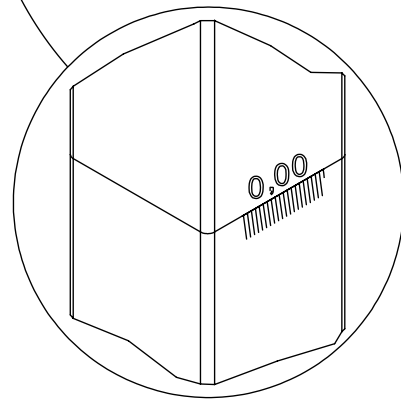
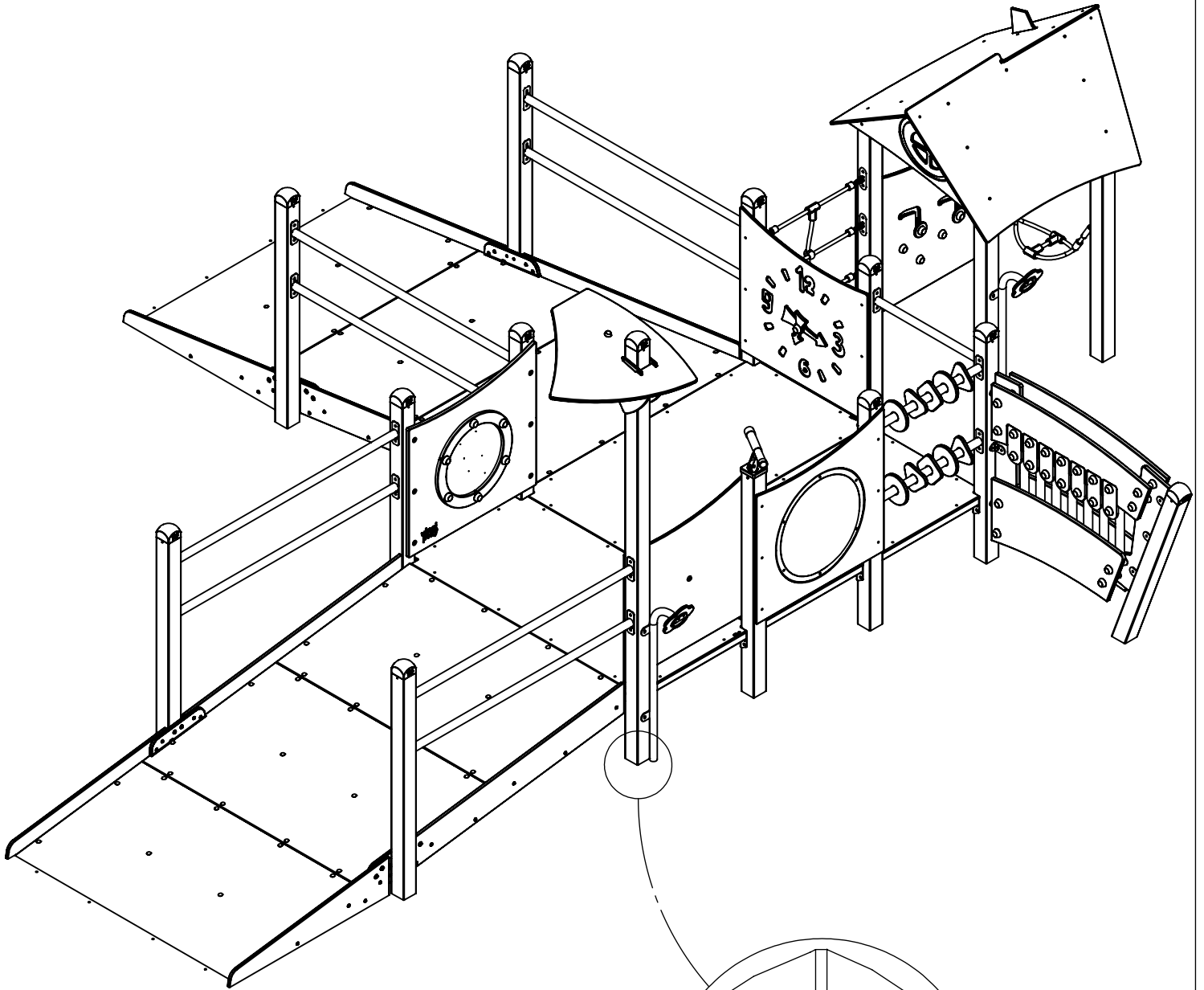
2x 17c102

4x 10x25ikl

[cm]

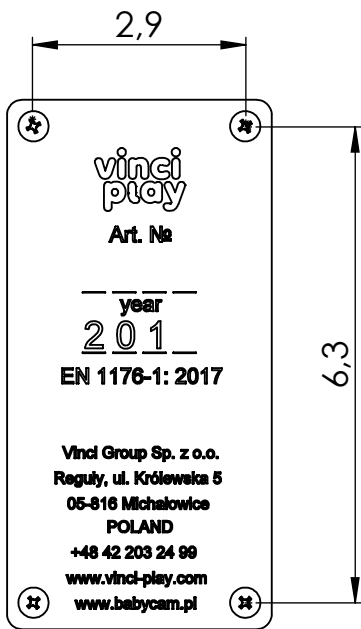
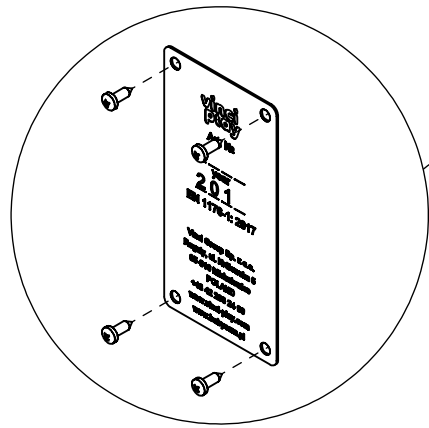
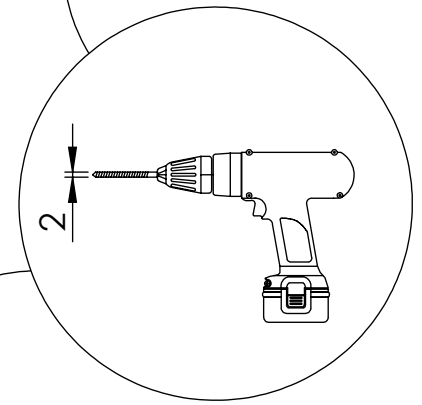
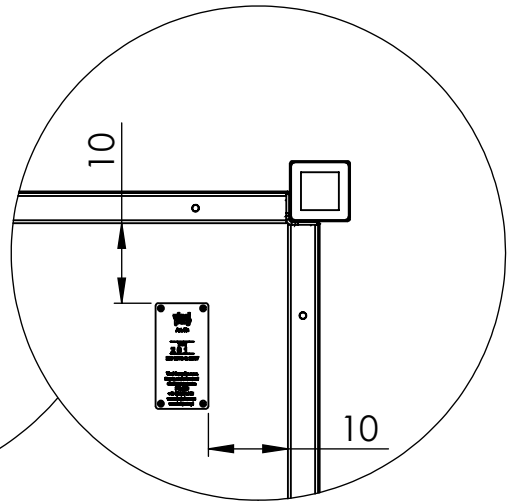
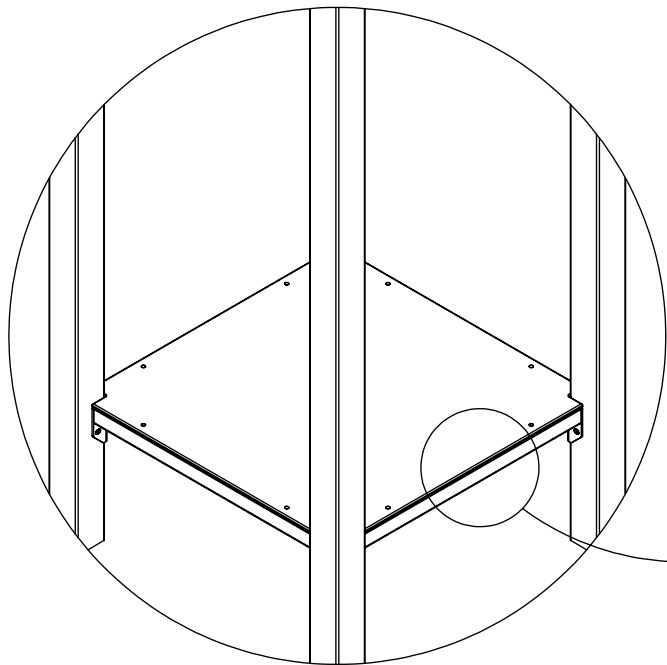
vinci
play

48h




[cm]

vinci
play

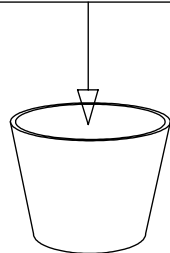


V001

Part No:
000000-
00000



000000-00000



[cm]