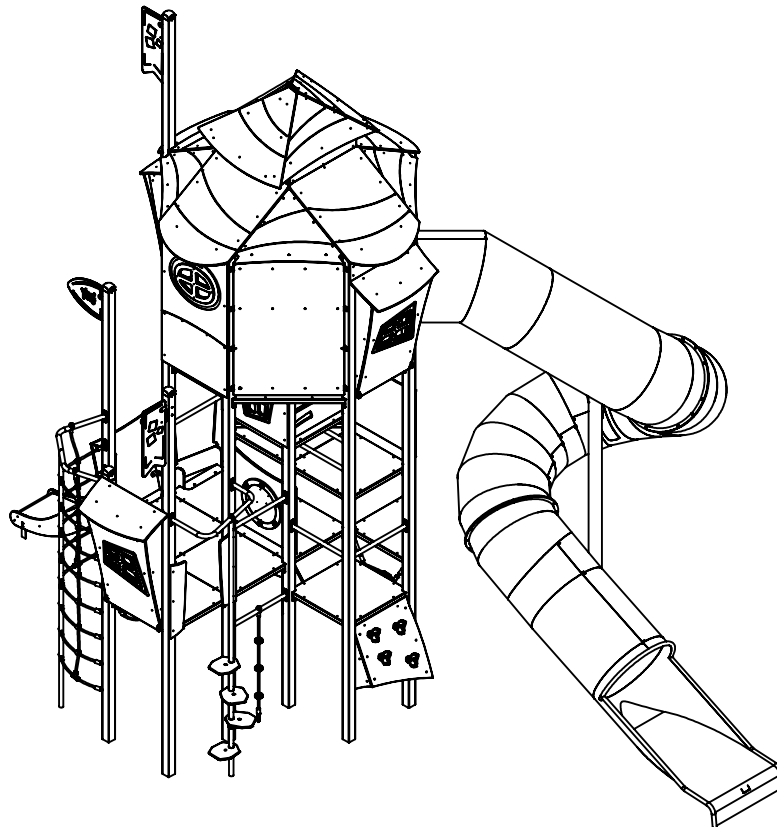
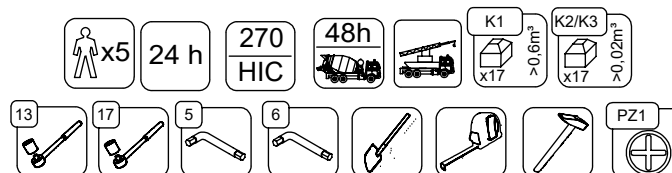
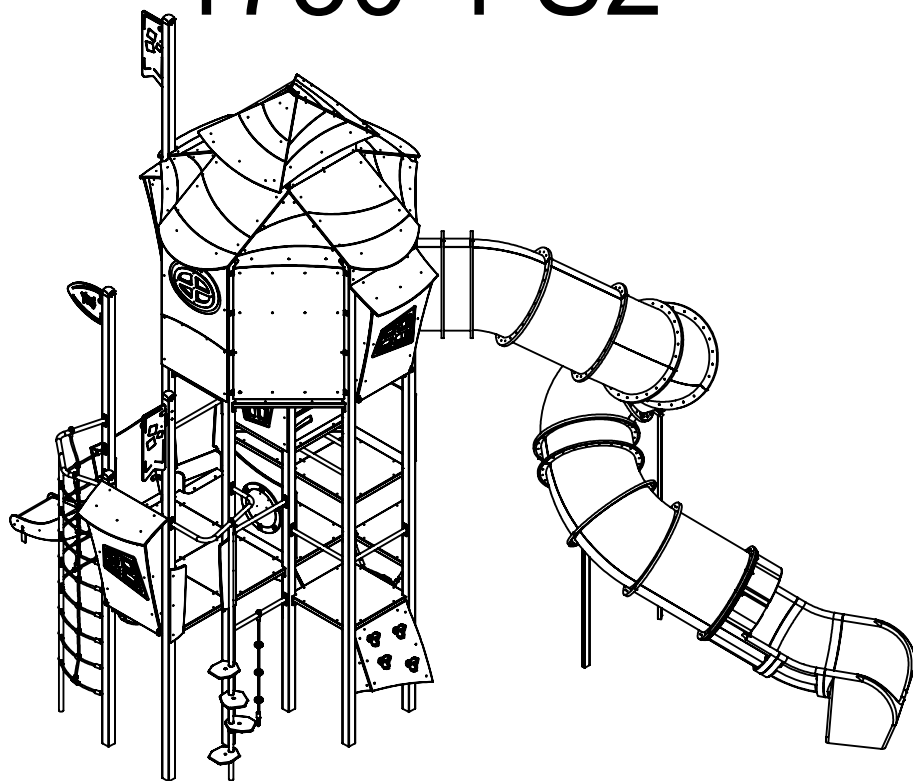


1730-1



1730-1 S2

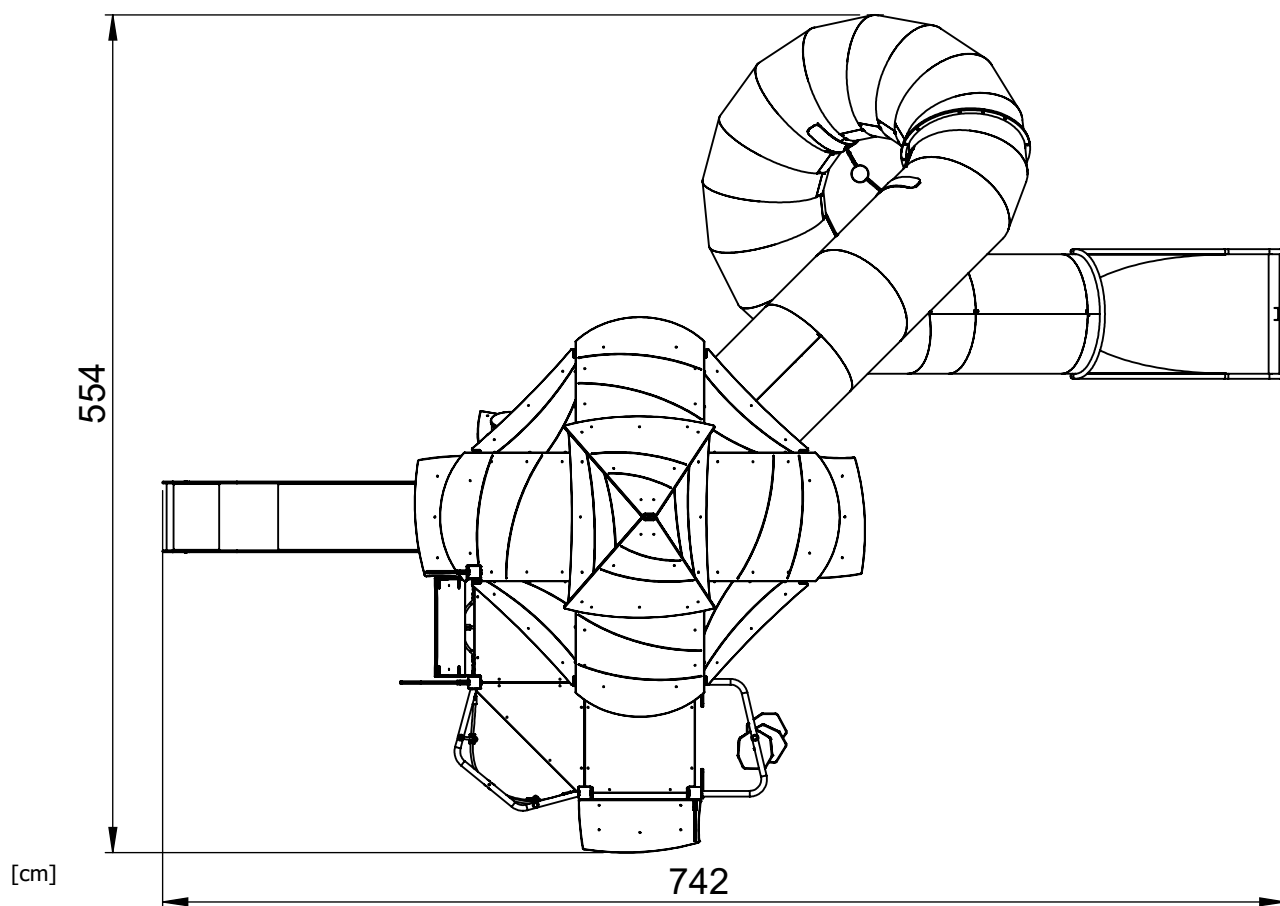
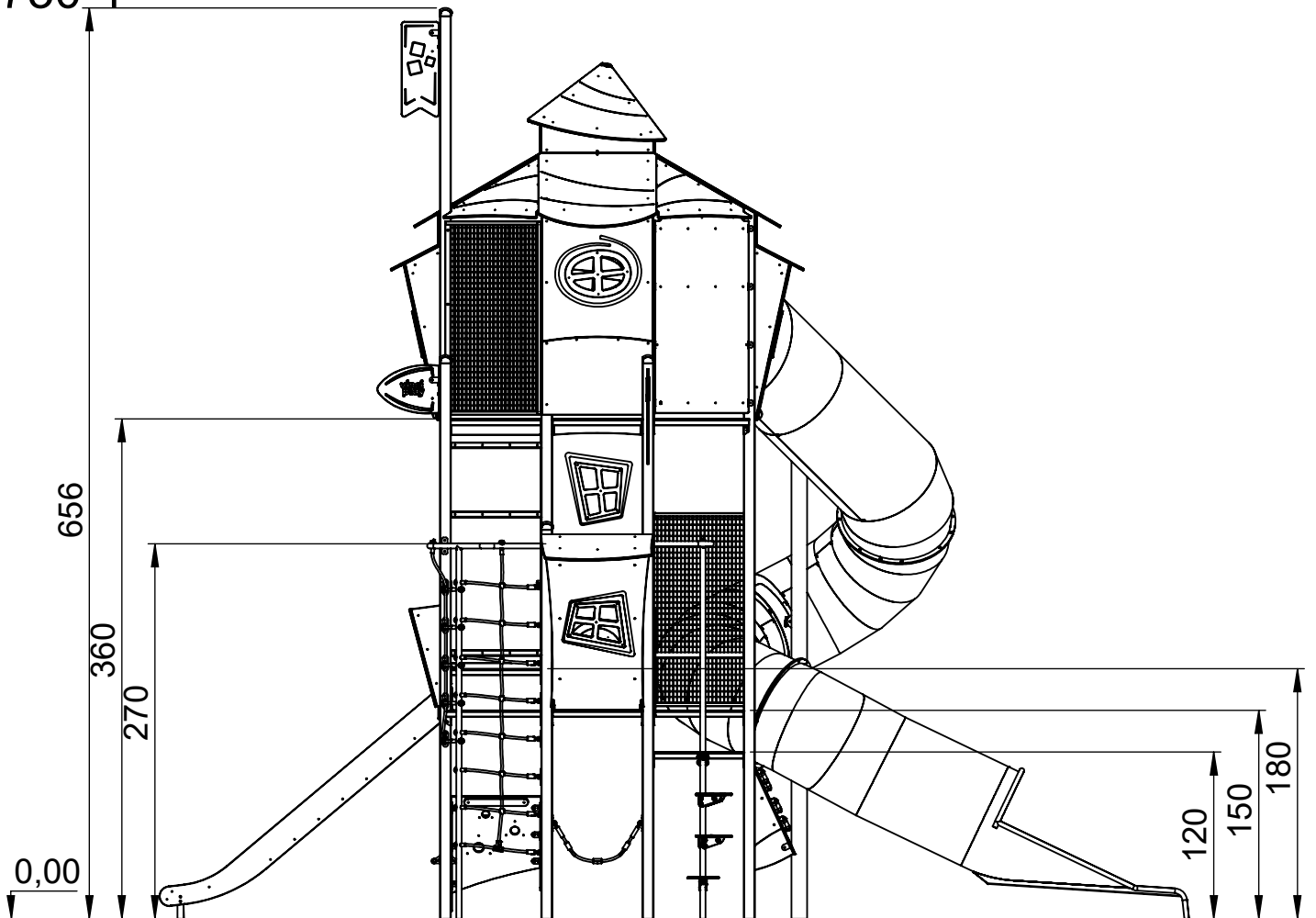


[cm]

v011 / 22.11.2021
B.K.

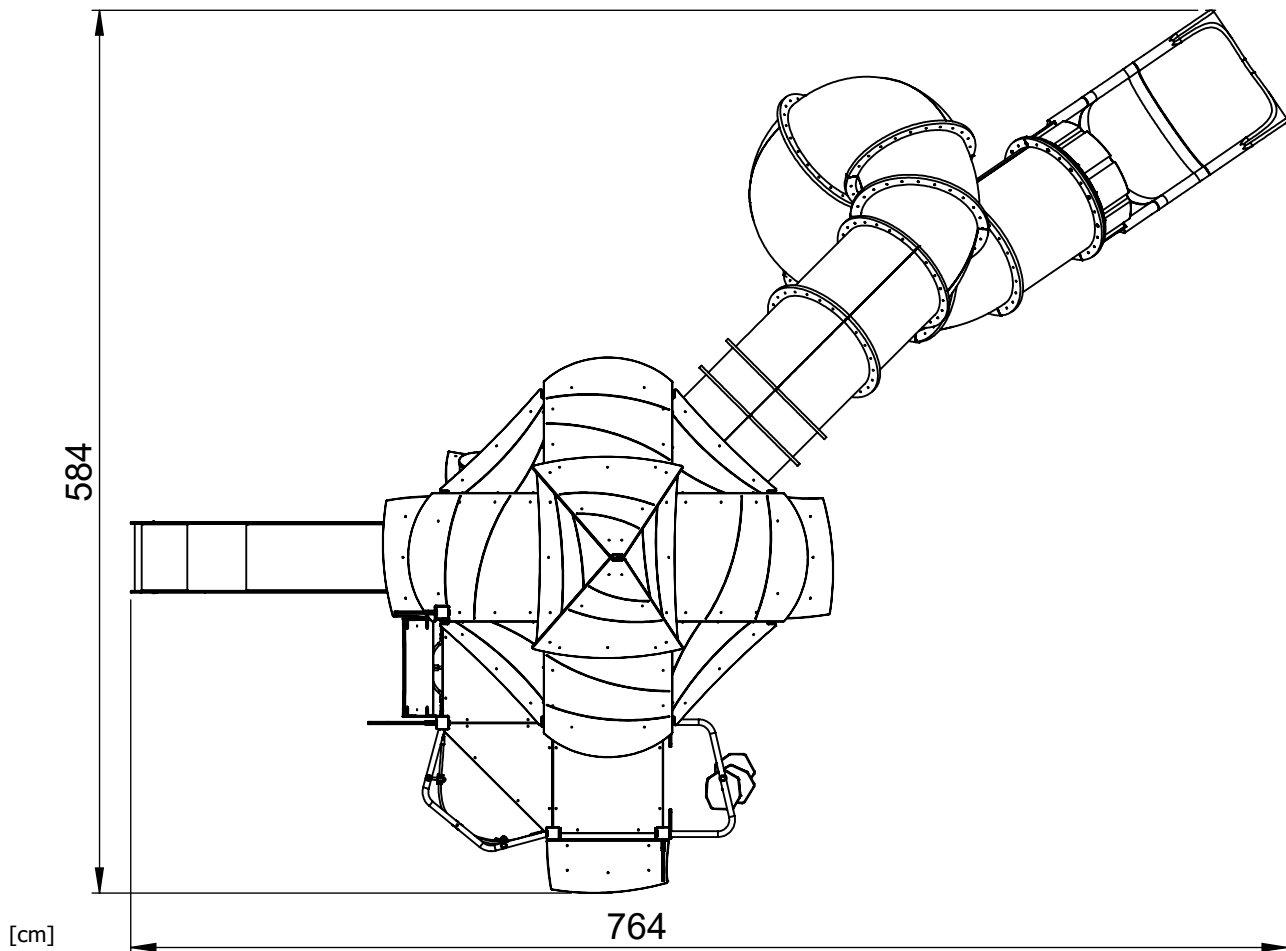
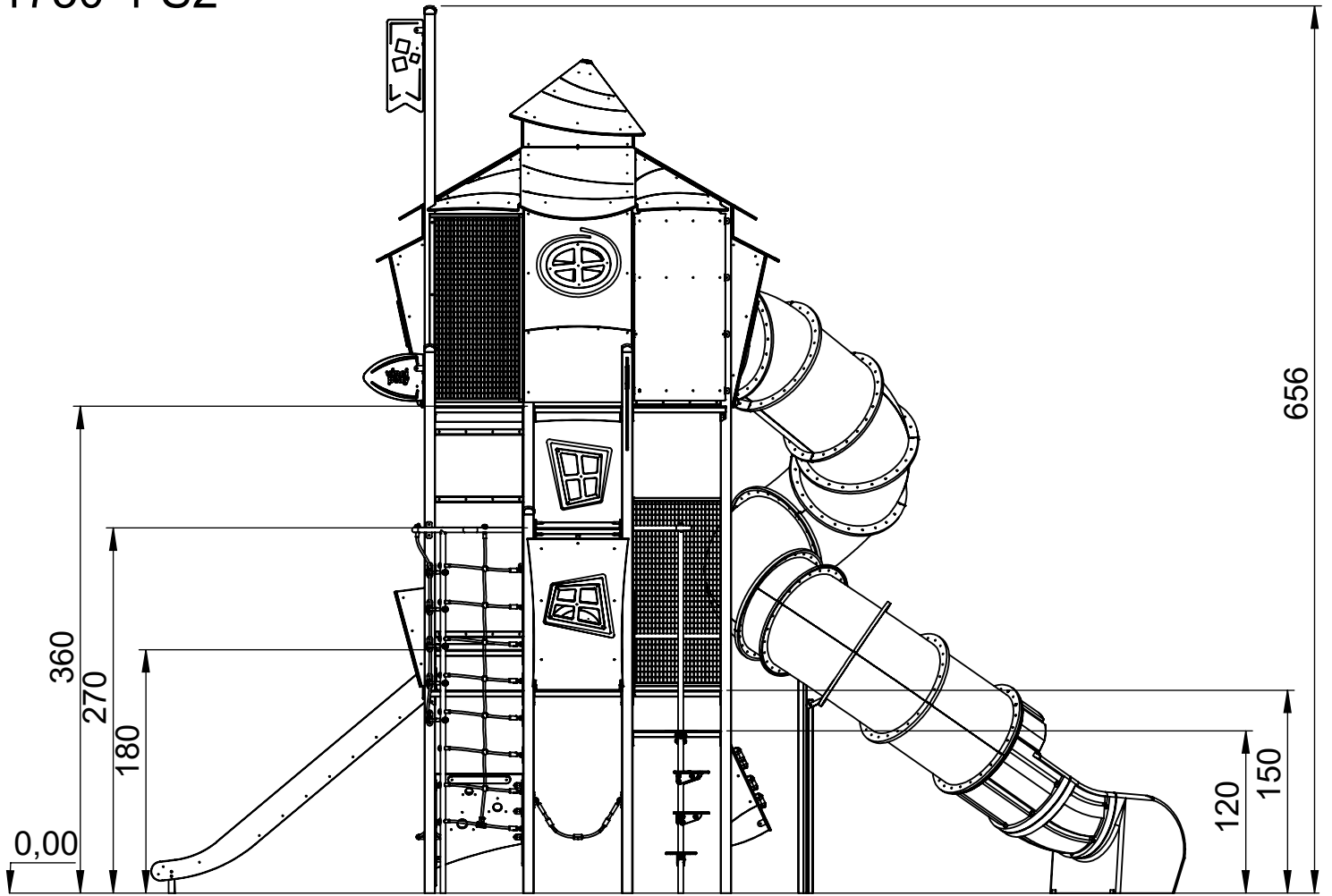
vinci
play

1730-1



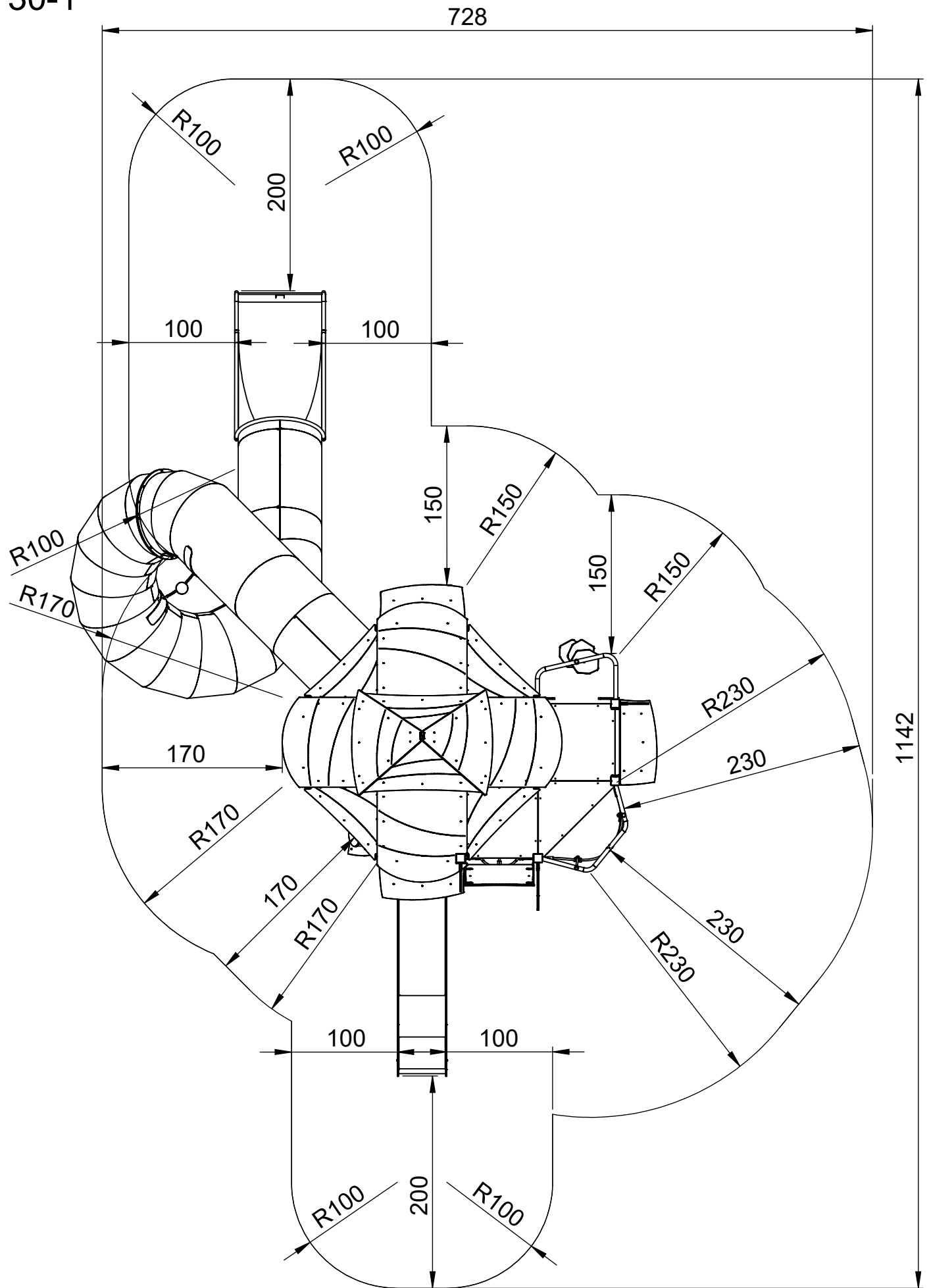
vinci
play

1730-1 S2



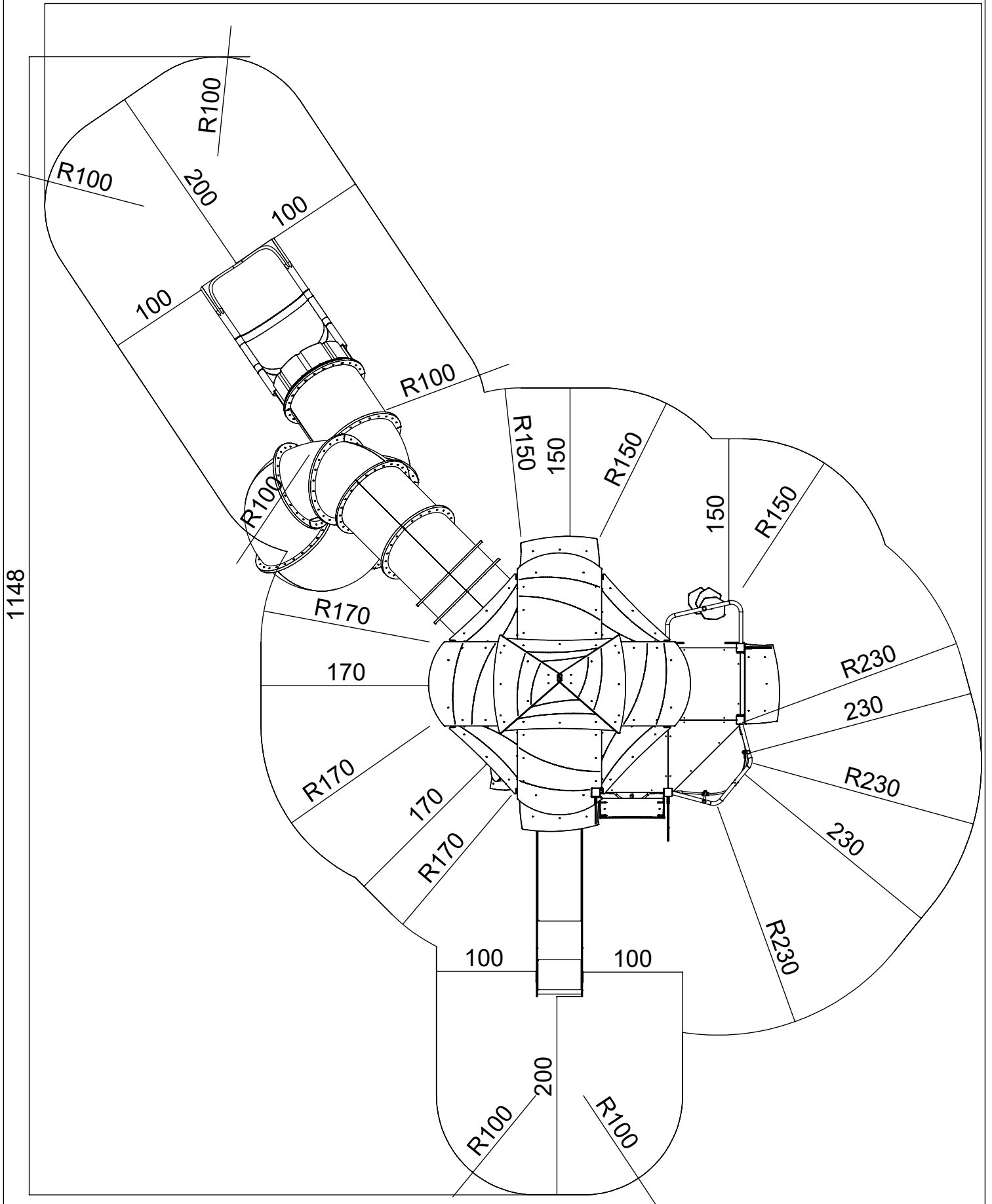
vinci
play

1730-1



[cm]

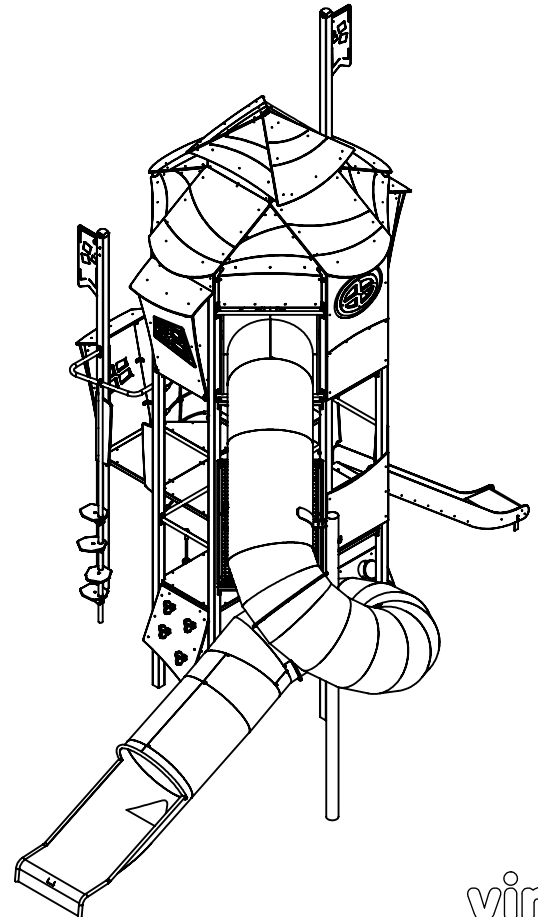
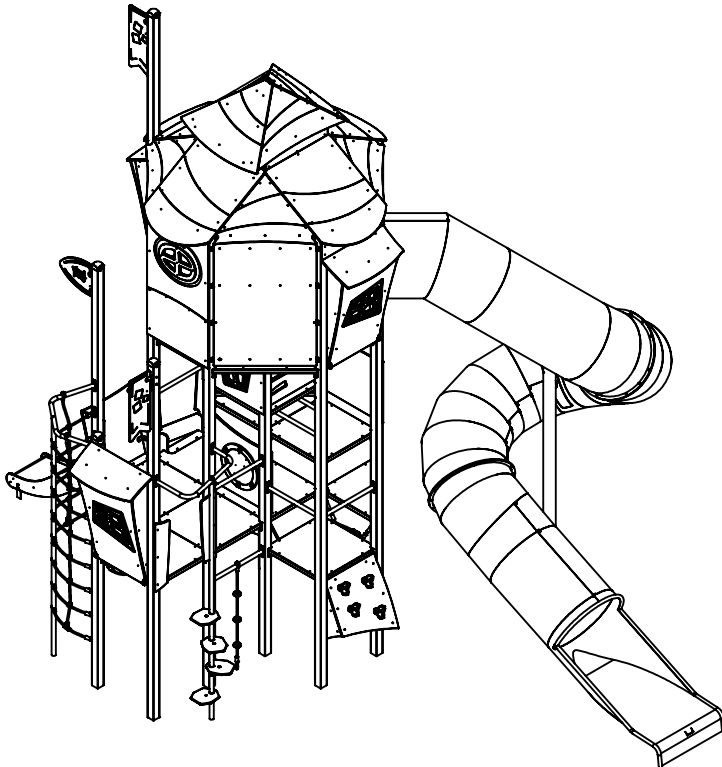
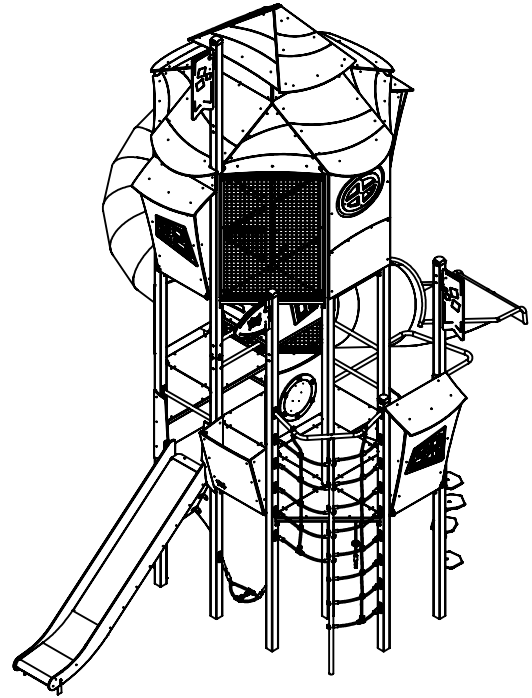
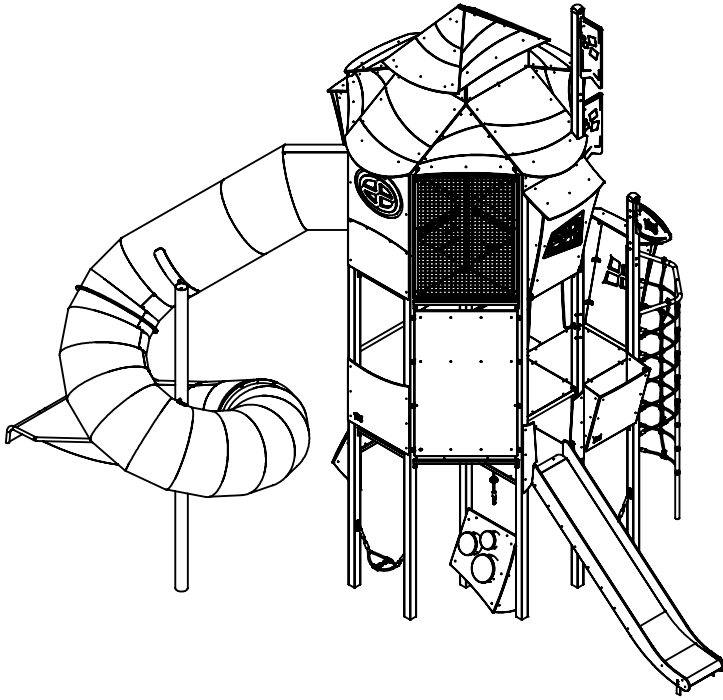
vinci
play



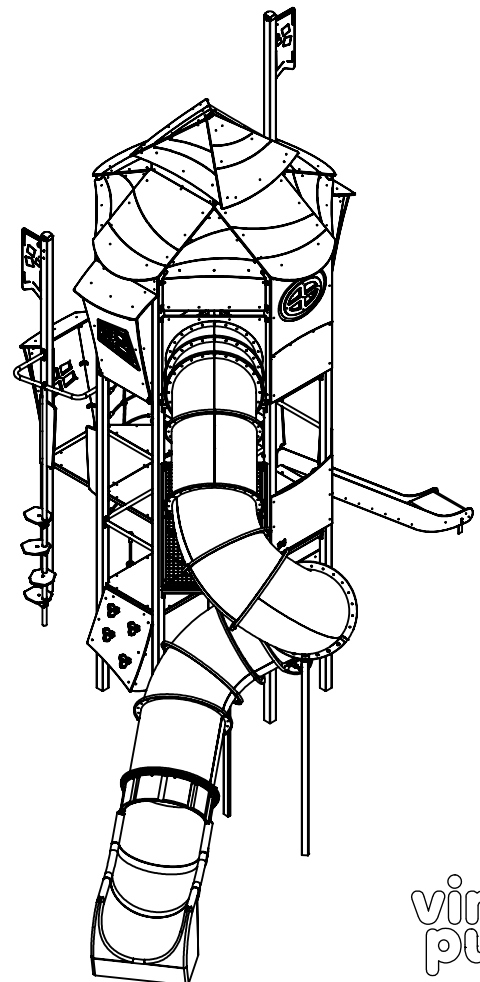
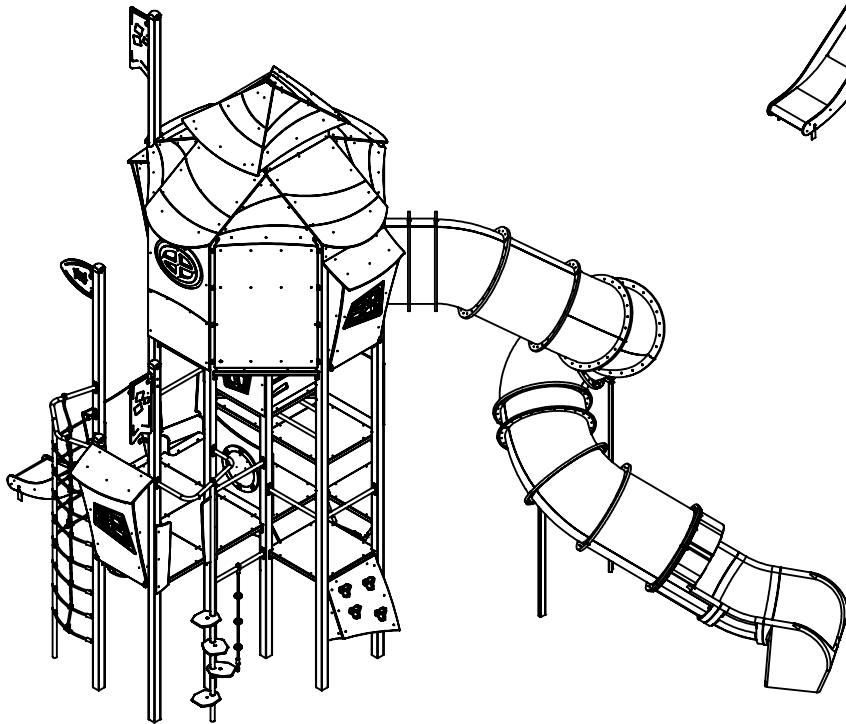
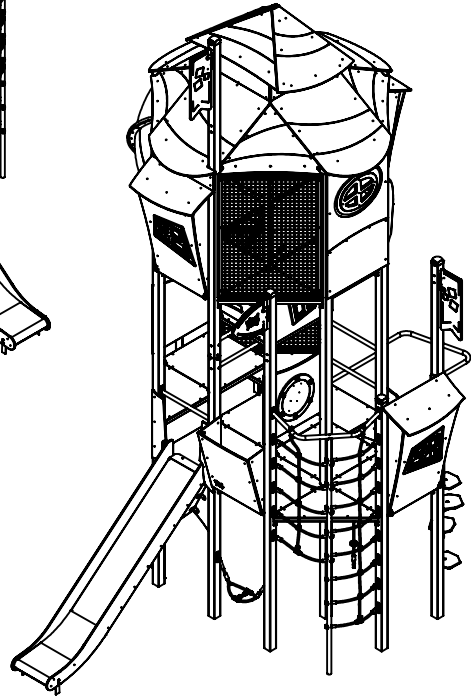
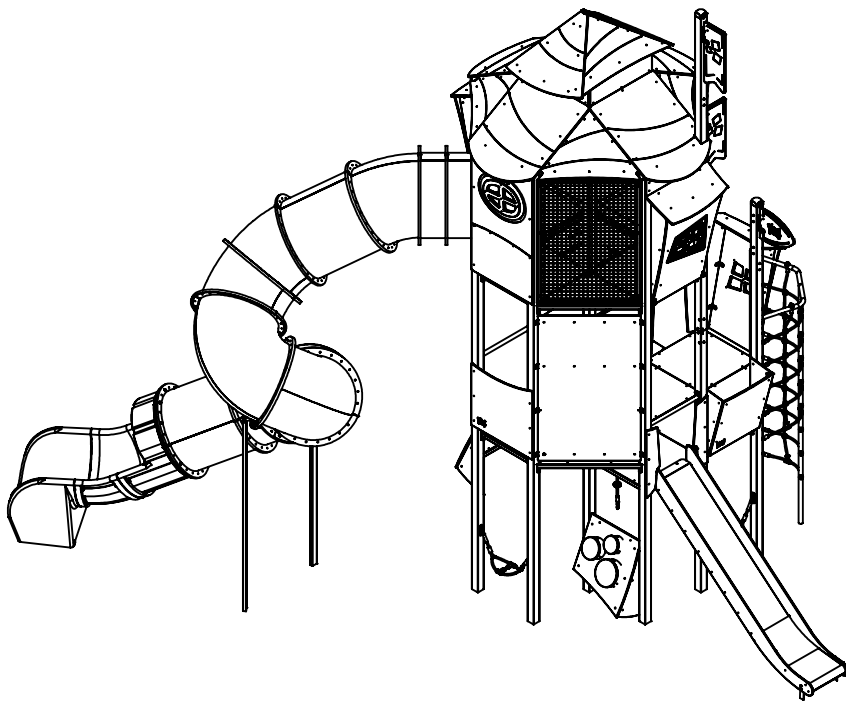
1148

[cm]

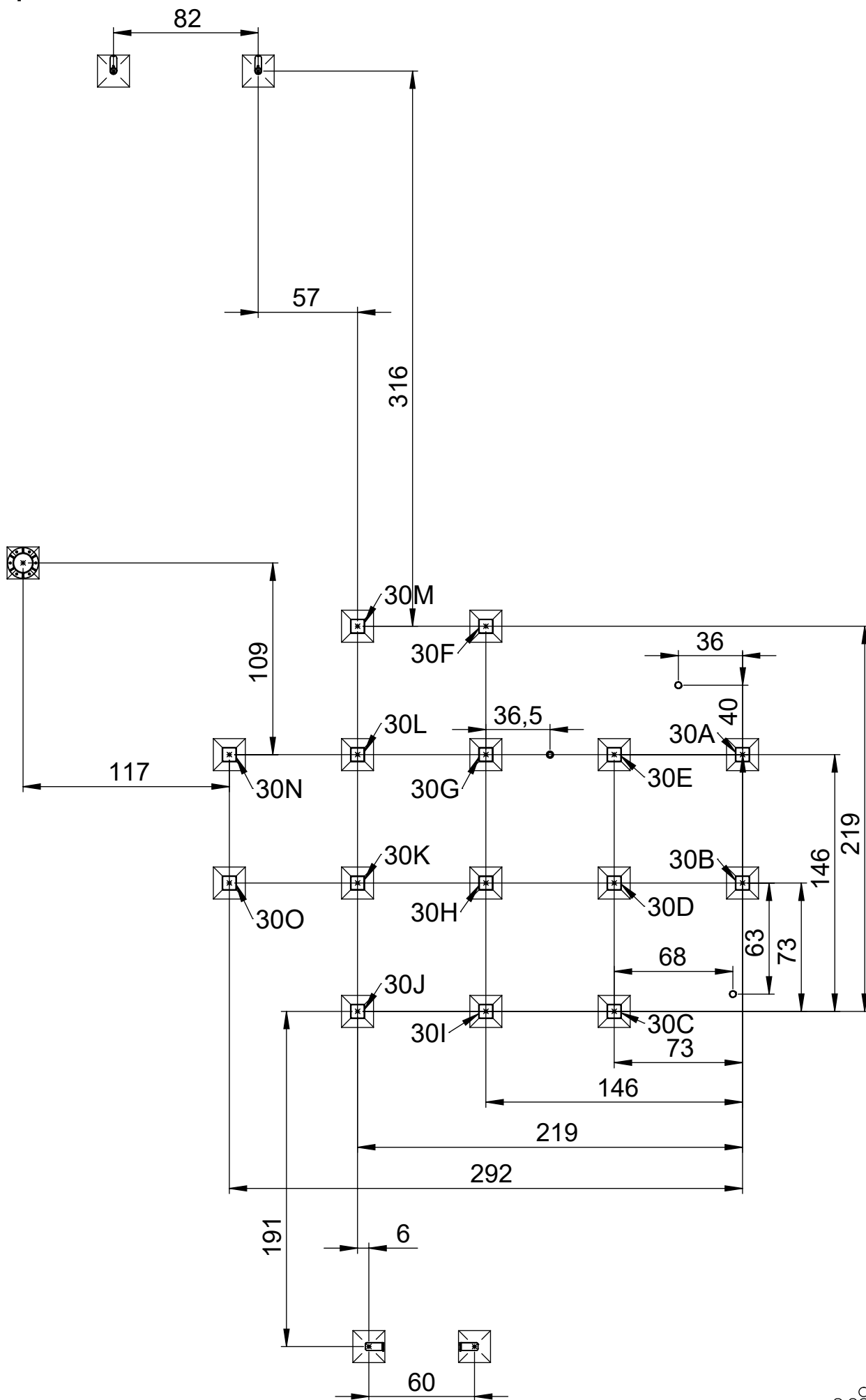
1730-1



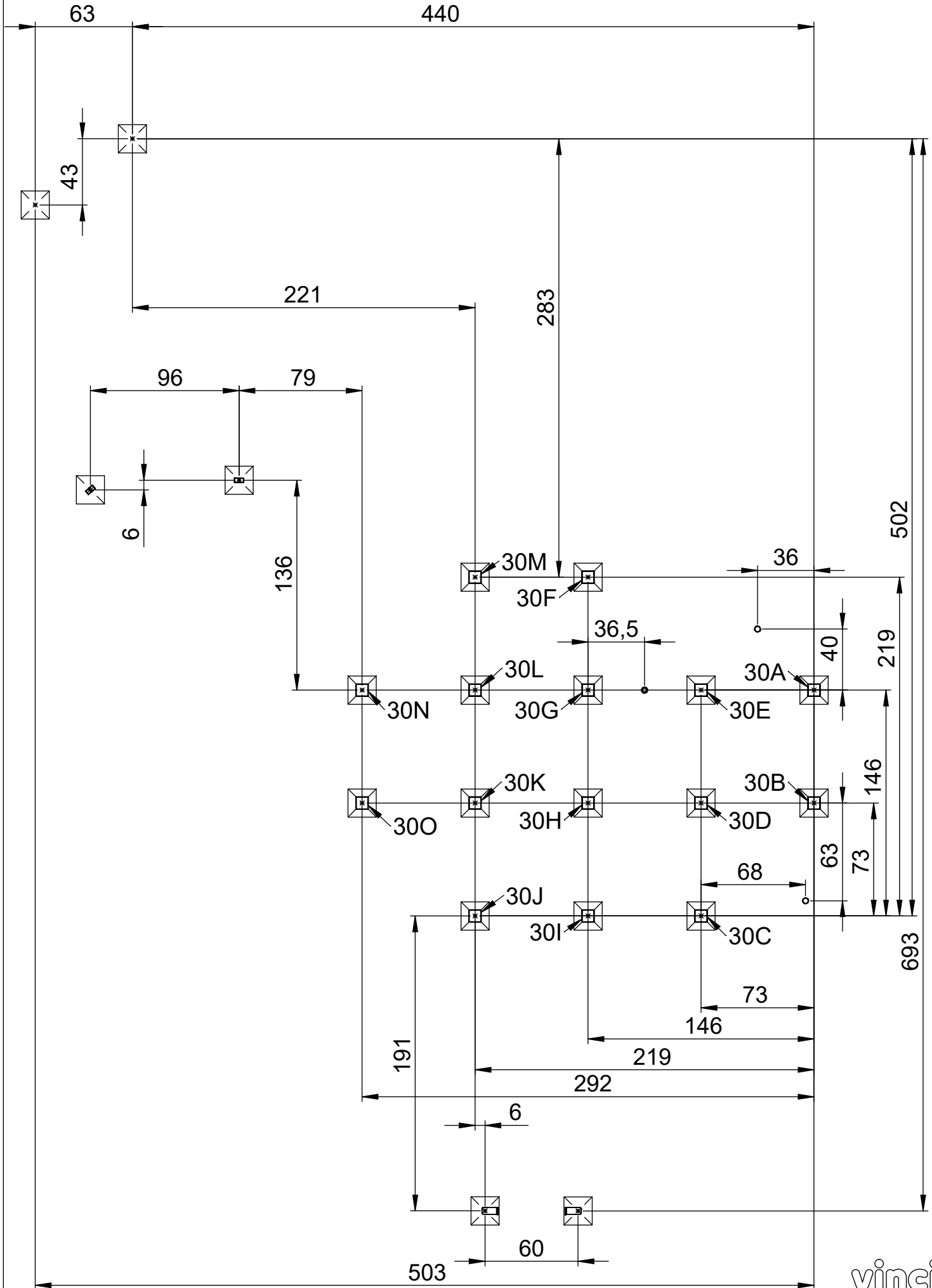
1730-1 S2



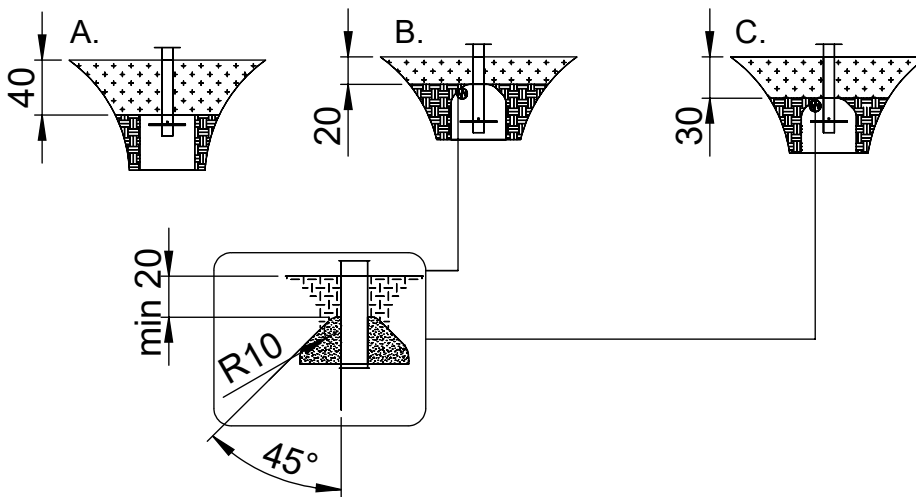
1730-1




1730-1 S2



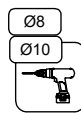
1730-1




K2




M10x120 x62
M8x120 x4




NOT INCLUDED




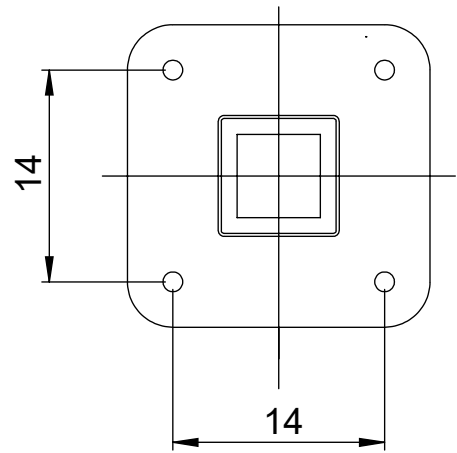
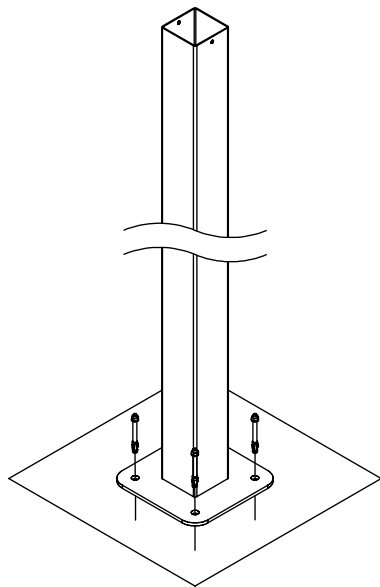
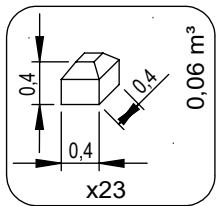
K3



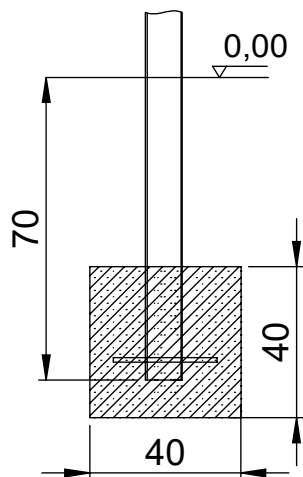
M10x120 x62
M8x120 x4



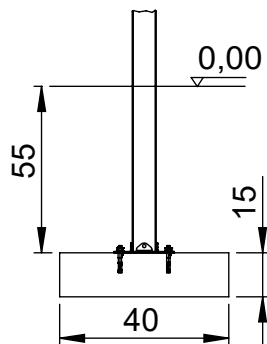
NOT INCLUDED

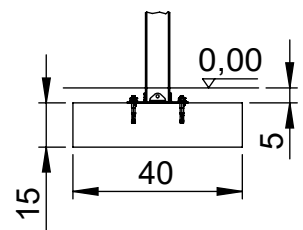
K23



K2



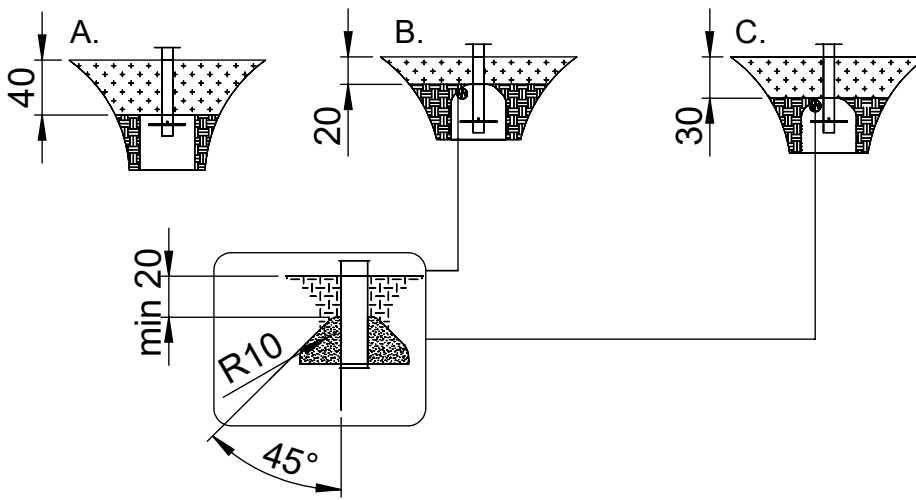
K3



[cm]

vinci play

1730-1 S2



K2

M10x120 x62
M8x120 x4

Ø8
Ø10

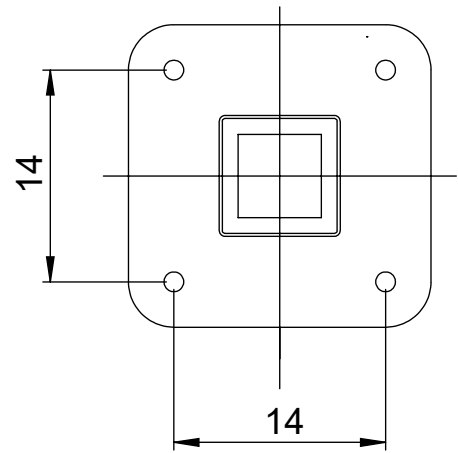
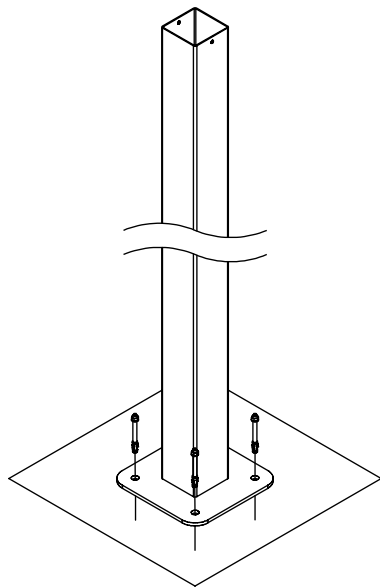
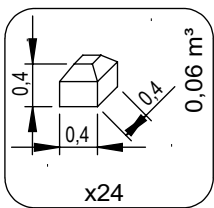
NOT INCLUDED

K3

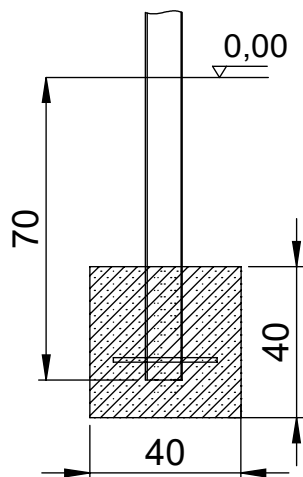
M10x120 x62
M8x120 x4

Ø8
Ø10

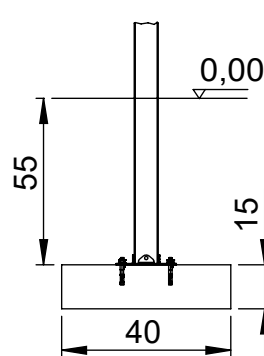
NOT INCLUDED



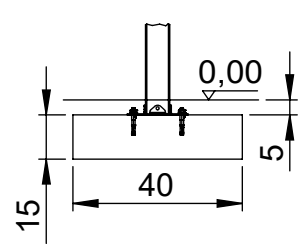
K23



K2

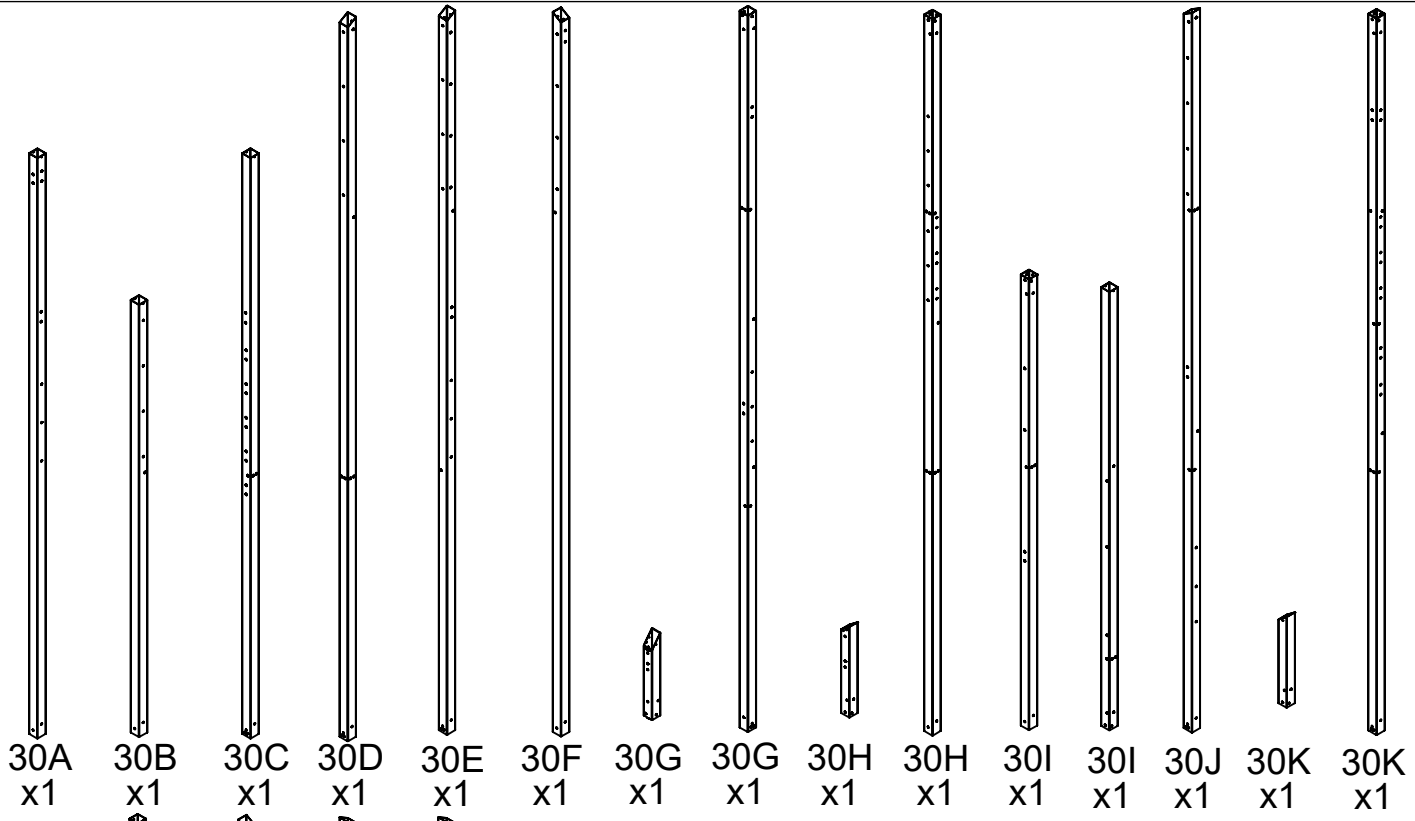



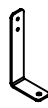

K3

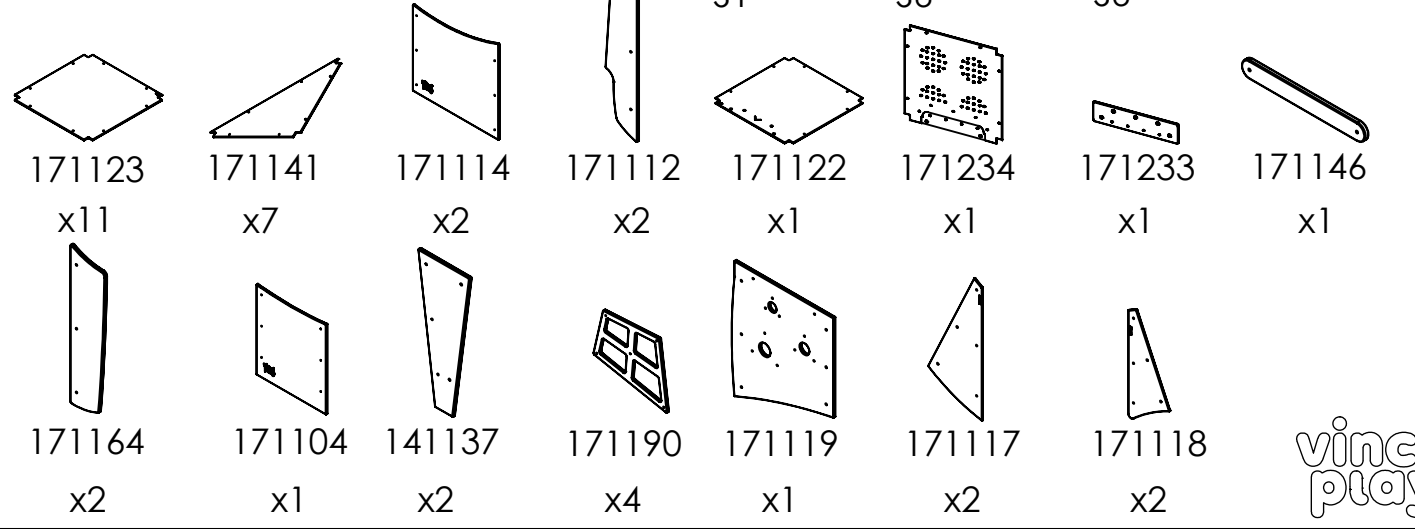
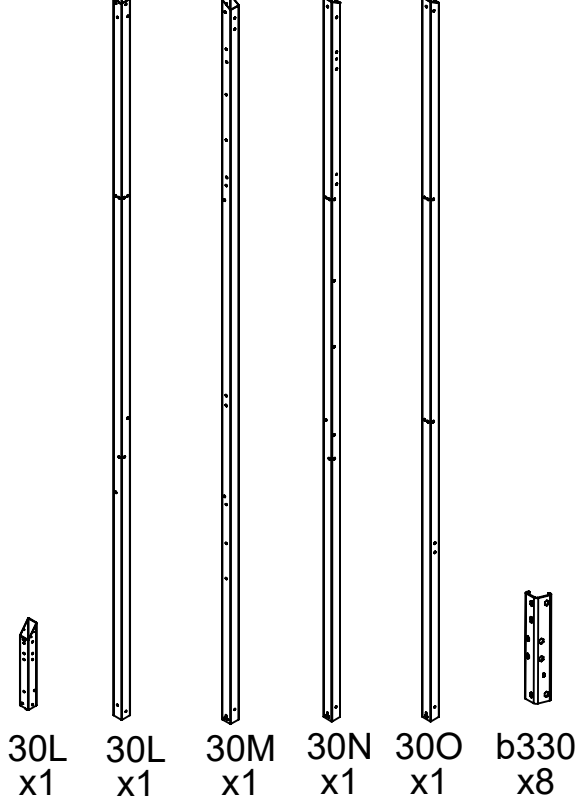


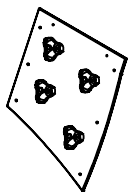
[cm]

vinci play



K2, K3	K3	K1, K2
		
b231 x14	b219-2 x4	P78-3 x4





171140
x1



171125
x1



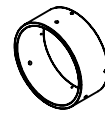
171126
x1



171127
x1



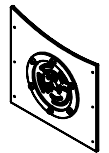
996228
x1



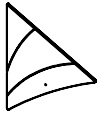
996229
x1



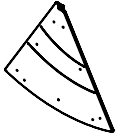
996230
x1



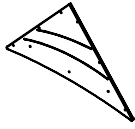
174116
x1



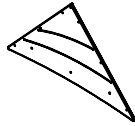
171174
x4



171180
x2



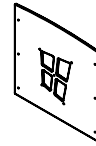
171181
x1



171182
x1



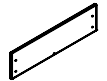
171279
x2



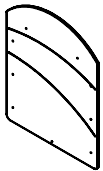
171280
x1



996103
x4



996103
x2



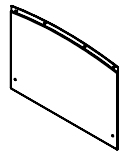
171175
x3



171183
x2



171184
x2



171185
x2



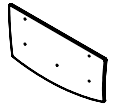
171271
x1



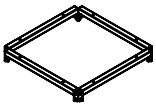
171187
x6



171188
x3



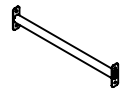
171189
x3



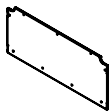
172100
x12



172101
x7



142117
x9



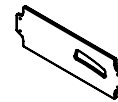
301106
x1



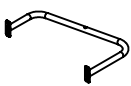
301118
x1



171265
x2



171240
x6



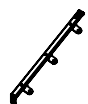
142131
x1



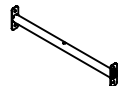
172115
x1



304115
x4



304116
x4



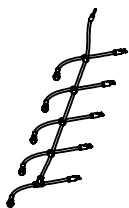
142116
x1



172122
x4



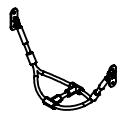
175108
x1



175109
x1



145242
x1



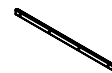
174128
x2



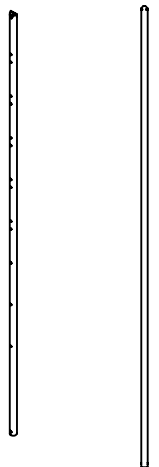
172127
x3



i391
x6

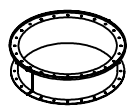


301243
x6

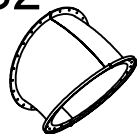


173127 992126
x1 x1

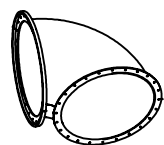
1730-1 S2



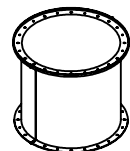
996419
x3



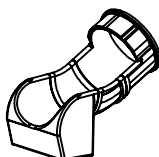
996420
x5



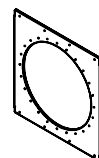
996423
x2



996421
x2



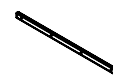
996422
x1



301253
x1

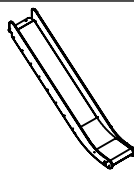
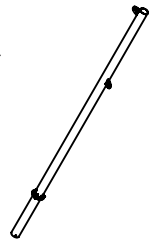
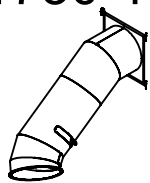


i391
x2



301243
x2

1730-1

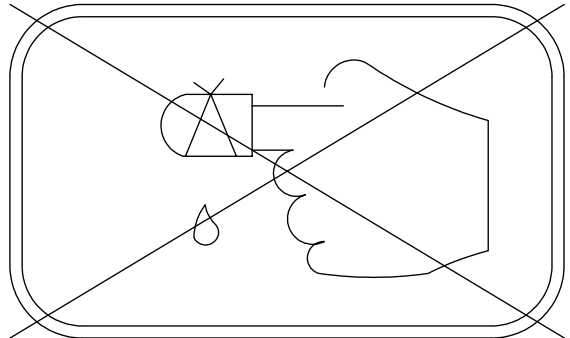
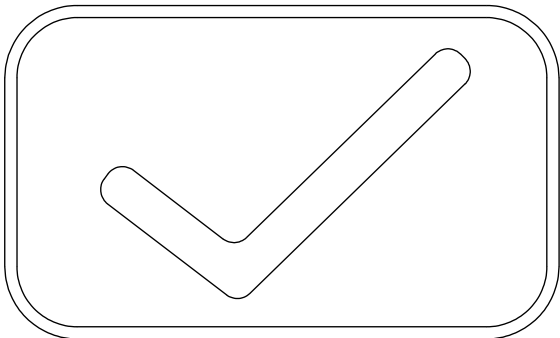
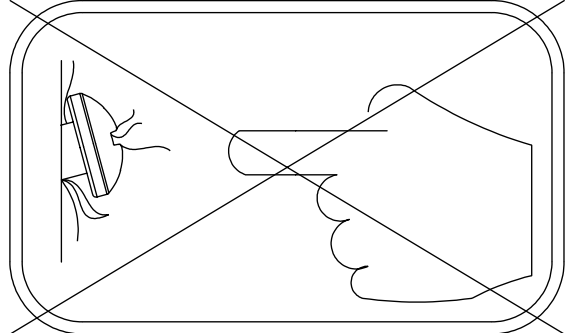
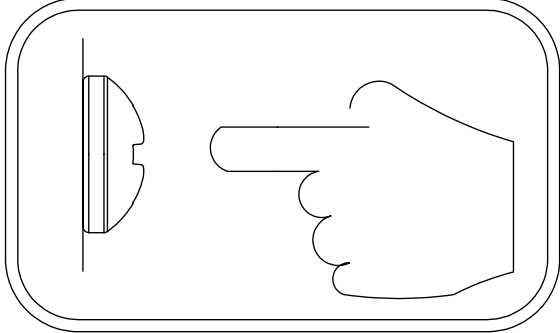
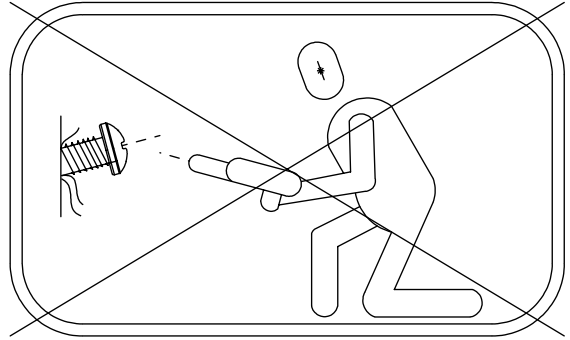
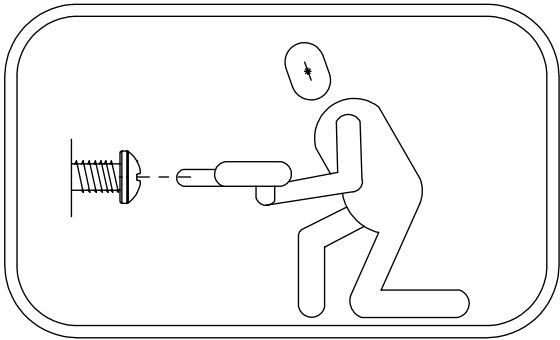


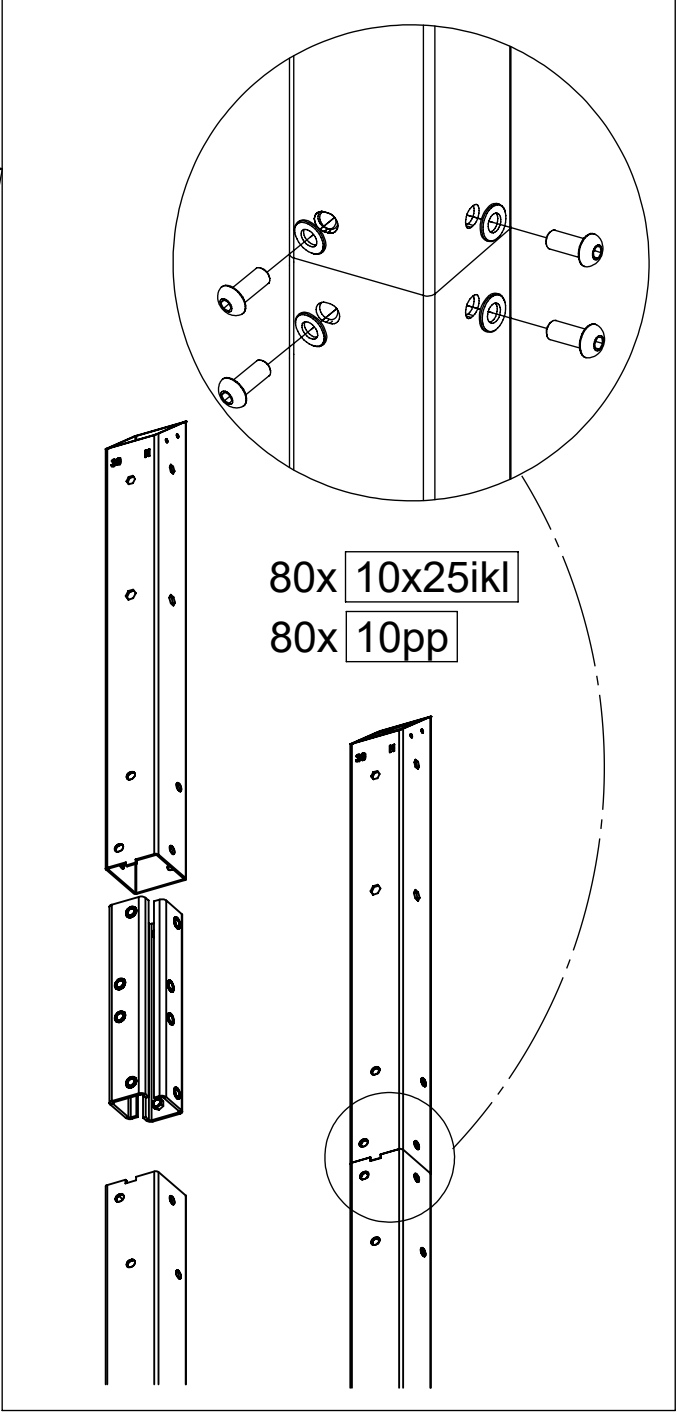
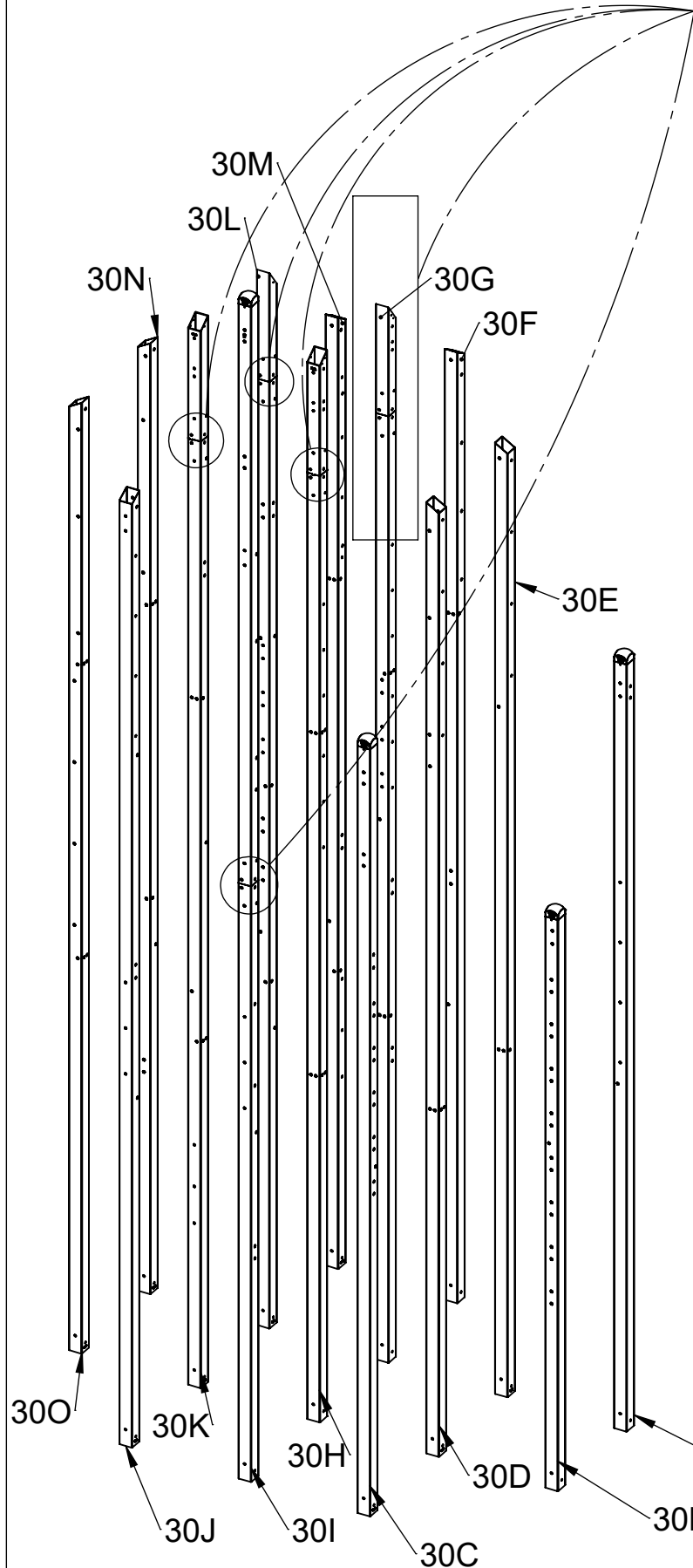
994105
x2

Qty.	ST/INOX
344	10x25 ikl
4	10x30 ikl
288	10 pp
100	8x25 ikl
44	8x30 ikl
1	17e007(s3)
2	17e010(s3)
1	17e011
1	17e016
1	17e019
2	17e021(s3)
3	17e030
3	17e032
1	17e034(k1,k3)
1	17e035(k2)
1	17e038
2	17e039
1	17e041
2	17e050
1	17e052
1	17e075
1	30e005(s2)
2	30e072
2	30e080
1	30e084
9	30e090(s2)
1	30e091(s2)
1	30e092(s2)
1	30e093(s2)
1	30e094(s)
2	30e095(s2)
1	V001

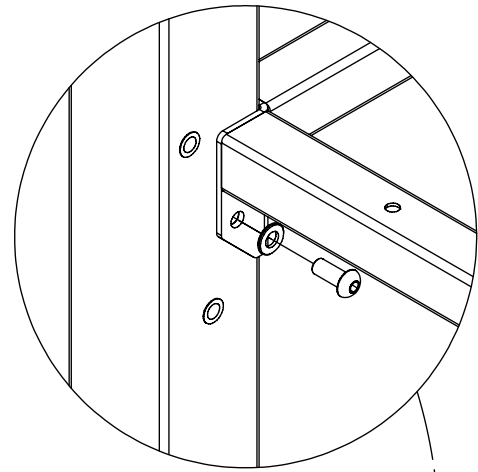
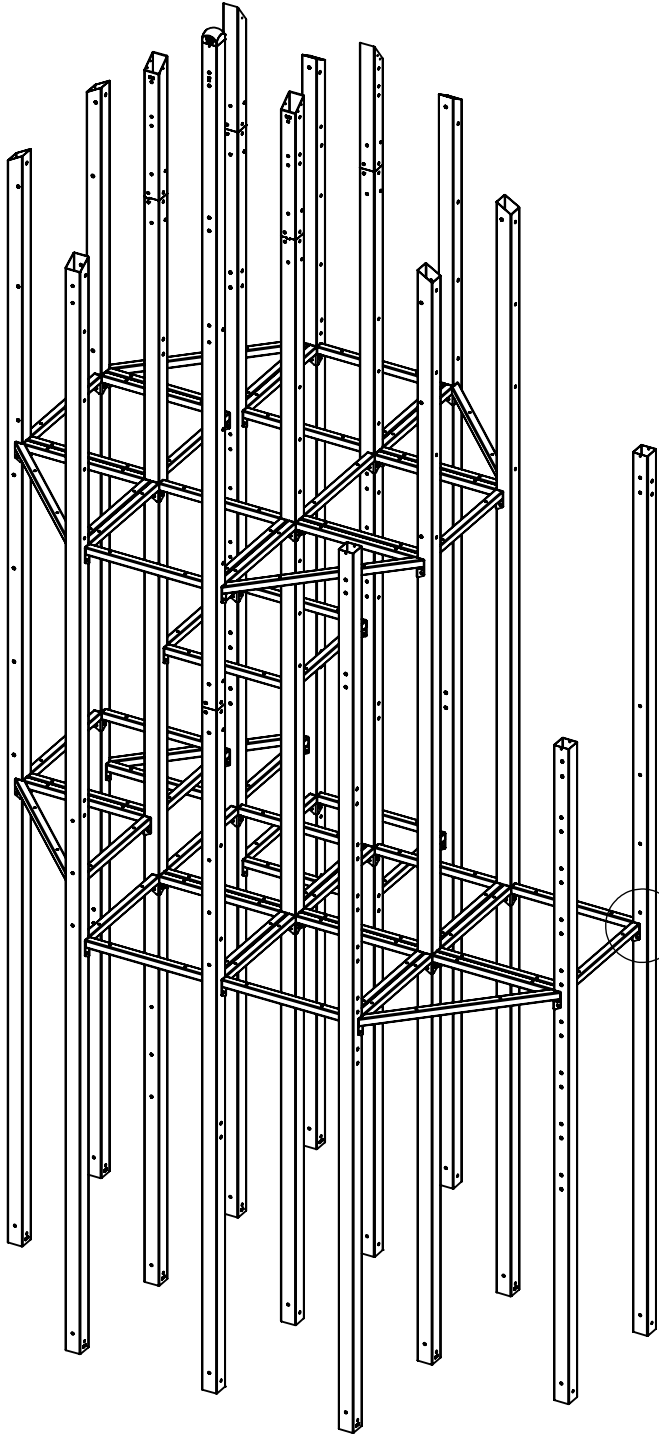
Qty.	HDPE
1	17c010
1	17c012
1	17c018
1	17c026
6	17c052
2	17c054
3	17c056
1	17c058
4	17c068
4	17c070
2	17c124
2	30c060
1	30c062
2	30c148
4	30c152
1	30c156(s2)
1	30c162(s2)

Qty.	HPL
9	17p005
10	17p007
1	17p015
1	17p017(s1)
1	17p019(s6)
1	17p021
4	17p033
4	17p035
1	17p051
1	17p061(s6)



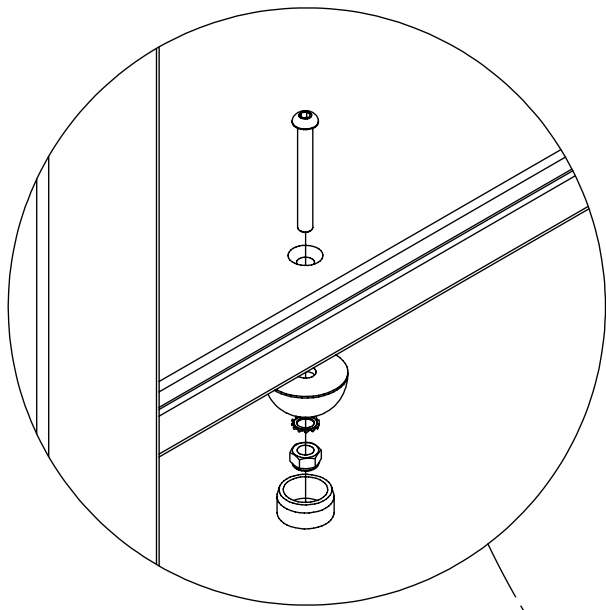


[cm]

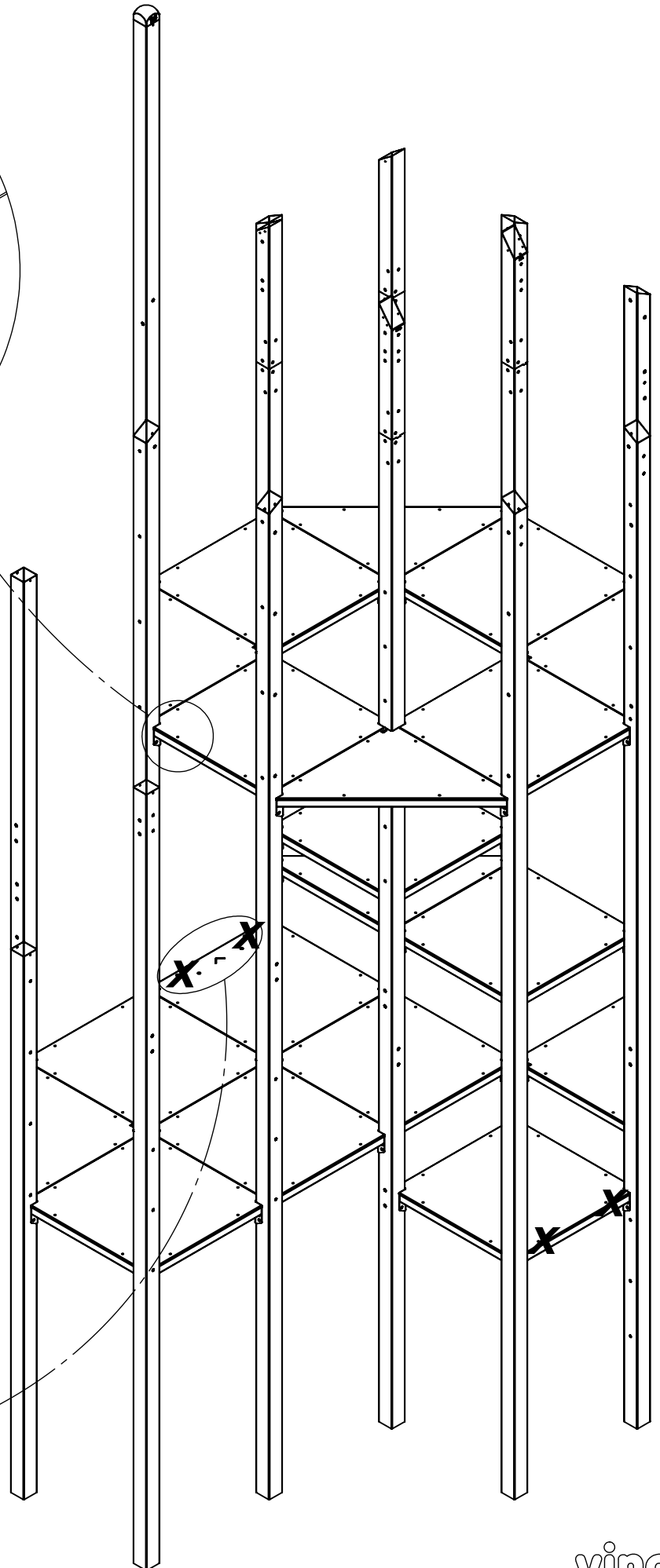


146x 10x25ikl

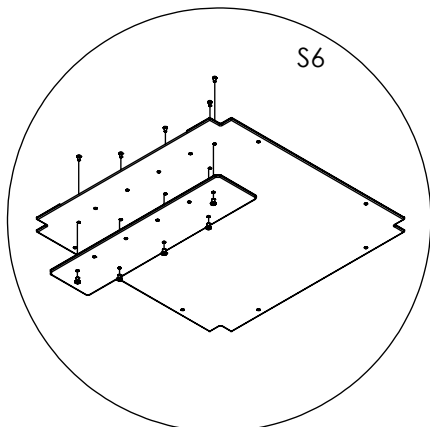
146x 10pp



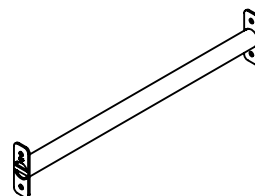
9x 17p005
10x 17p007



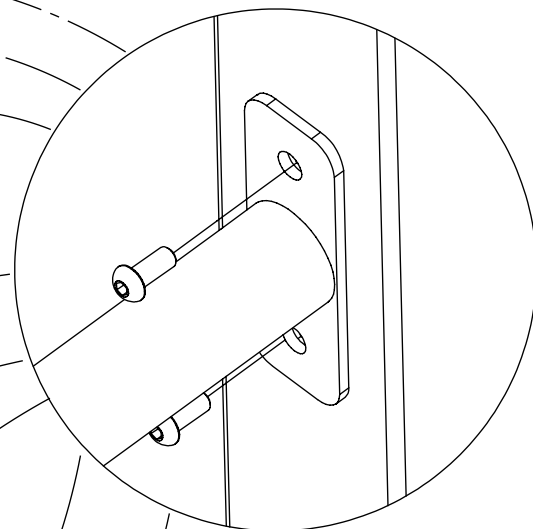
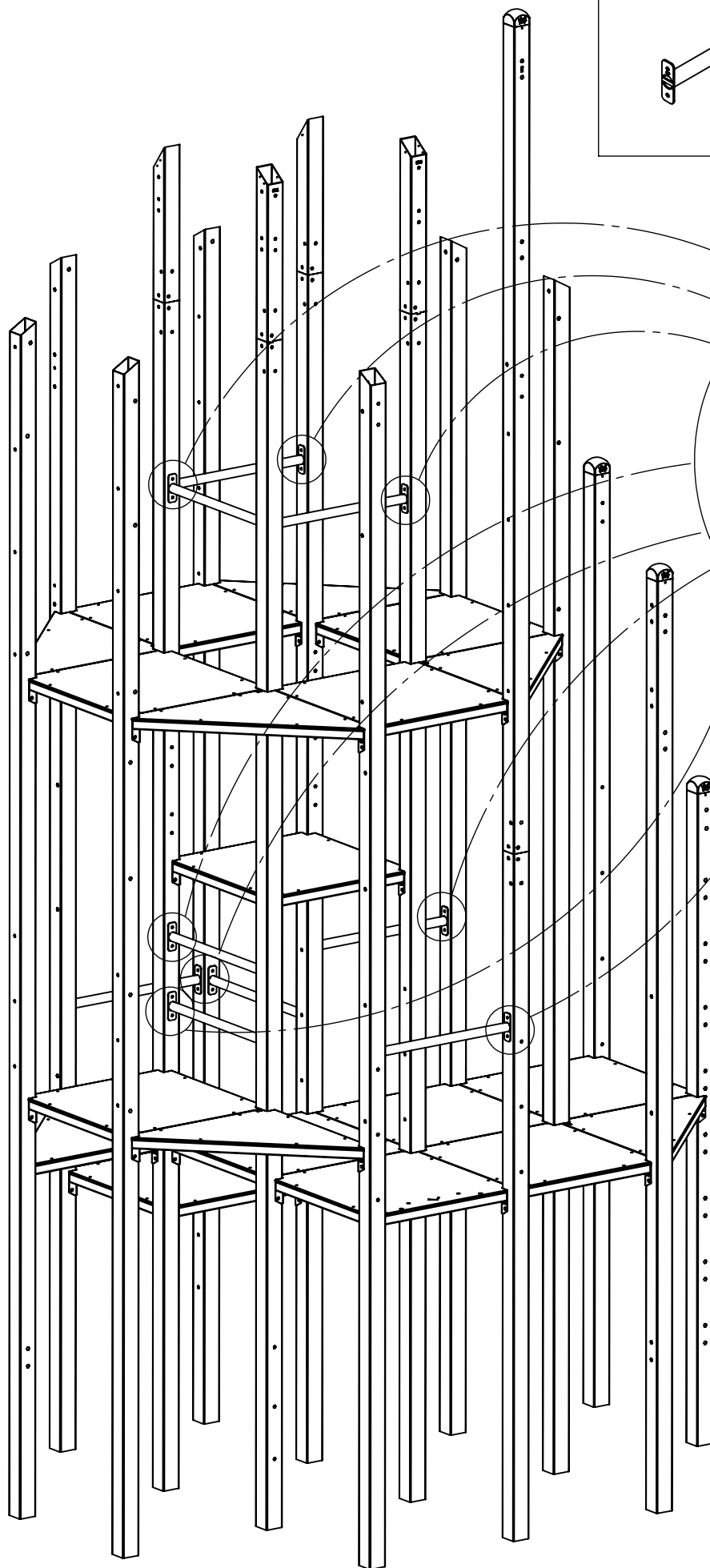
1x 17p061



[cm]



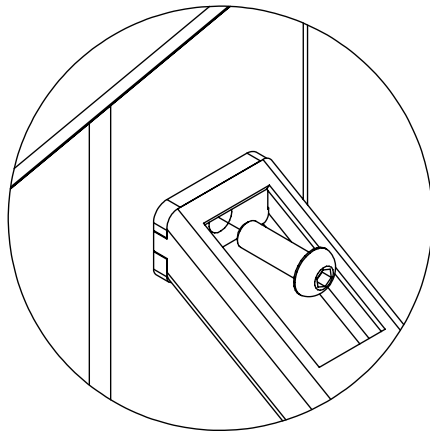
142117 x 9



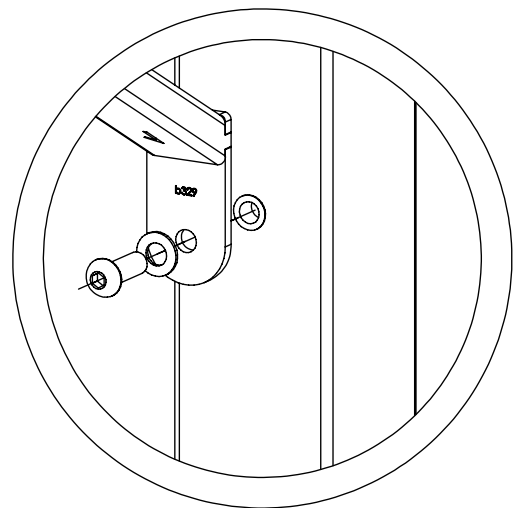
36x 10x25ikl

[cm]

vinci
play

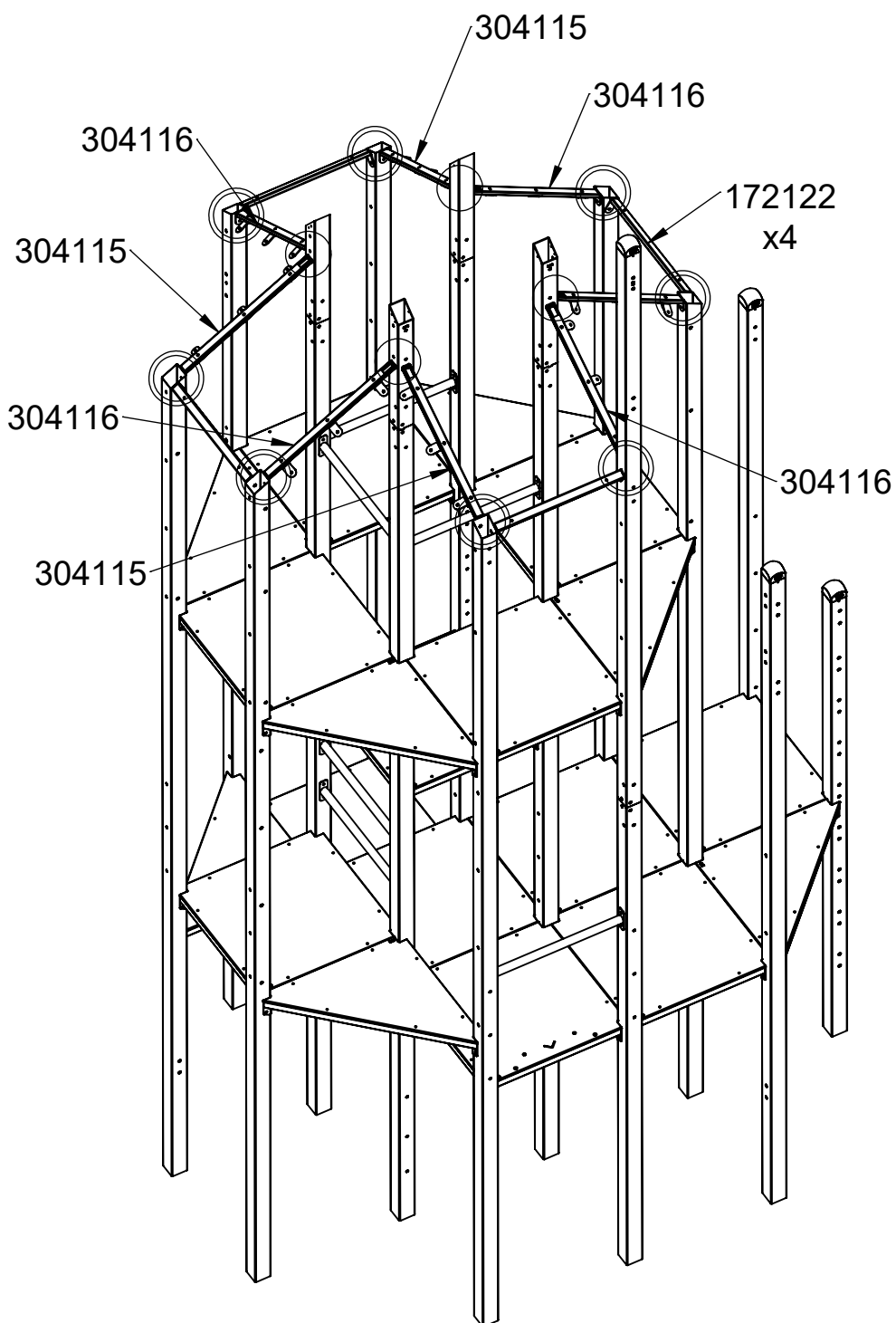


8x **8x25ikl**



16x **10x25ikl**

16x **10pp**



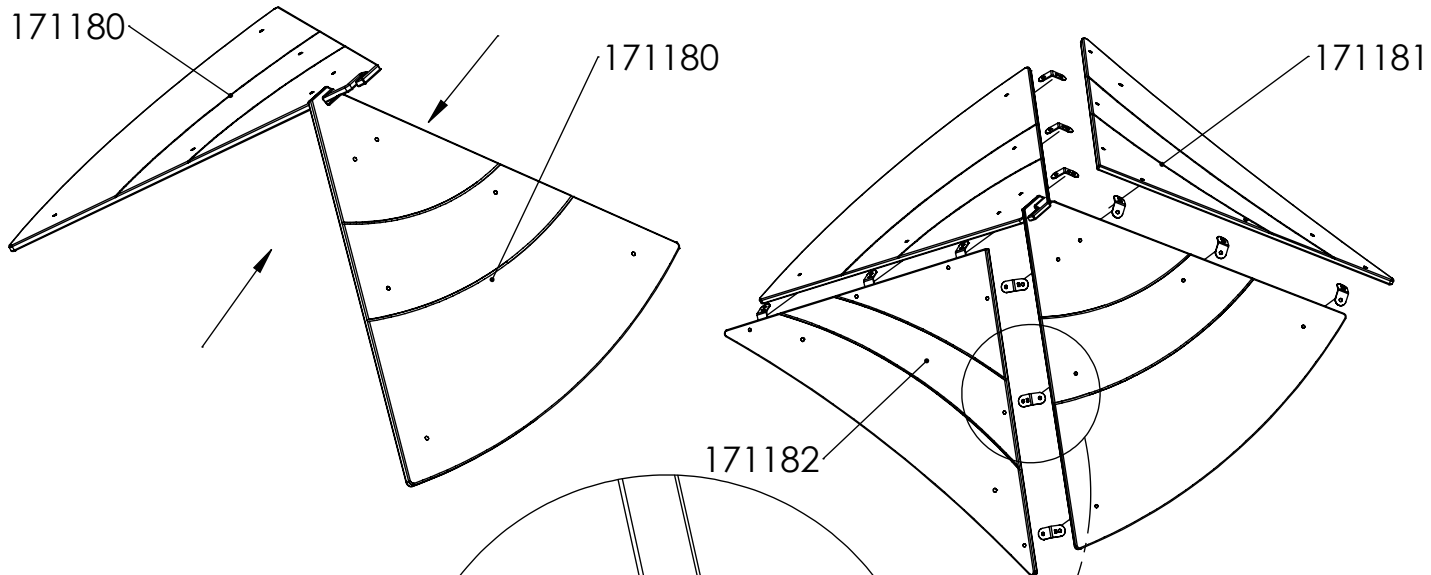
[cm]

vinci
play

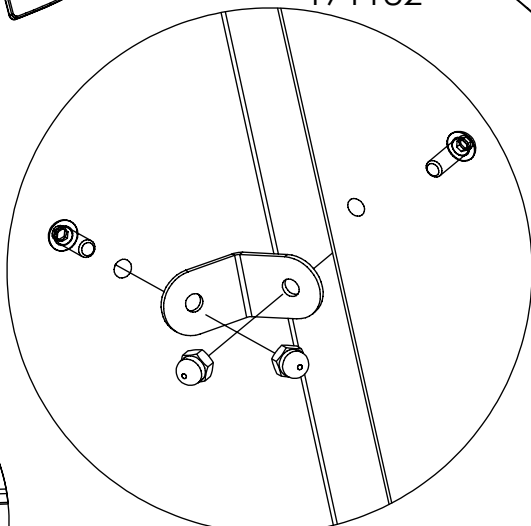
171180

171180

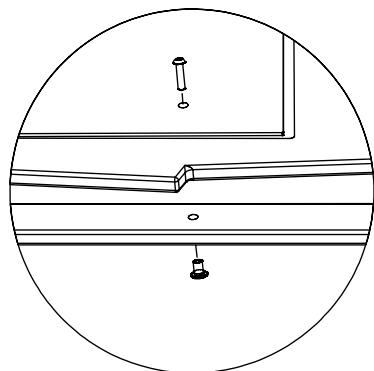
171181



171182



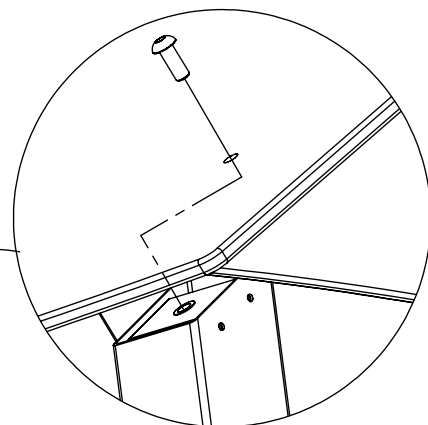
1x 17c058



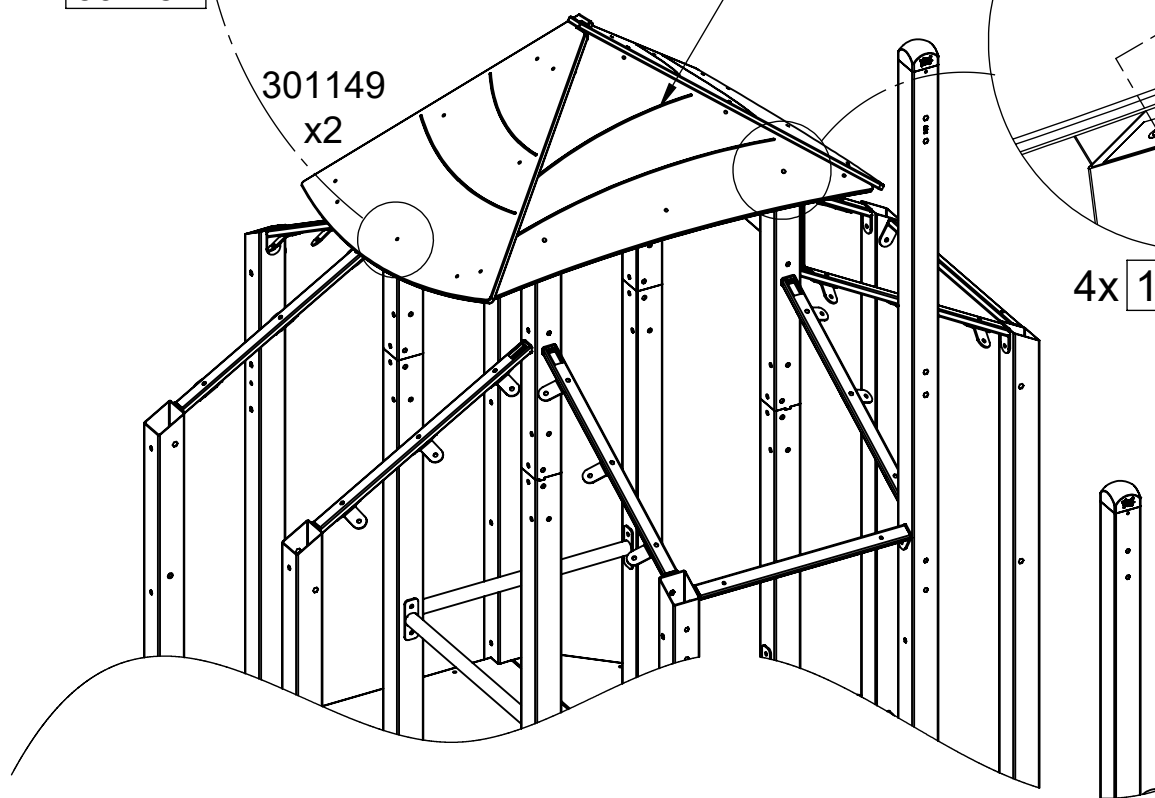
2x 30c152

171182

301149
x2



4x 10x30ikl



[cm]

vinci
play

301101

301102

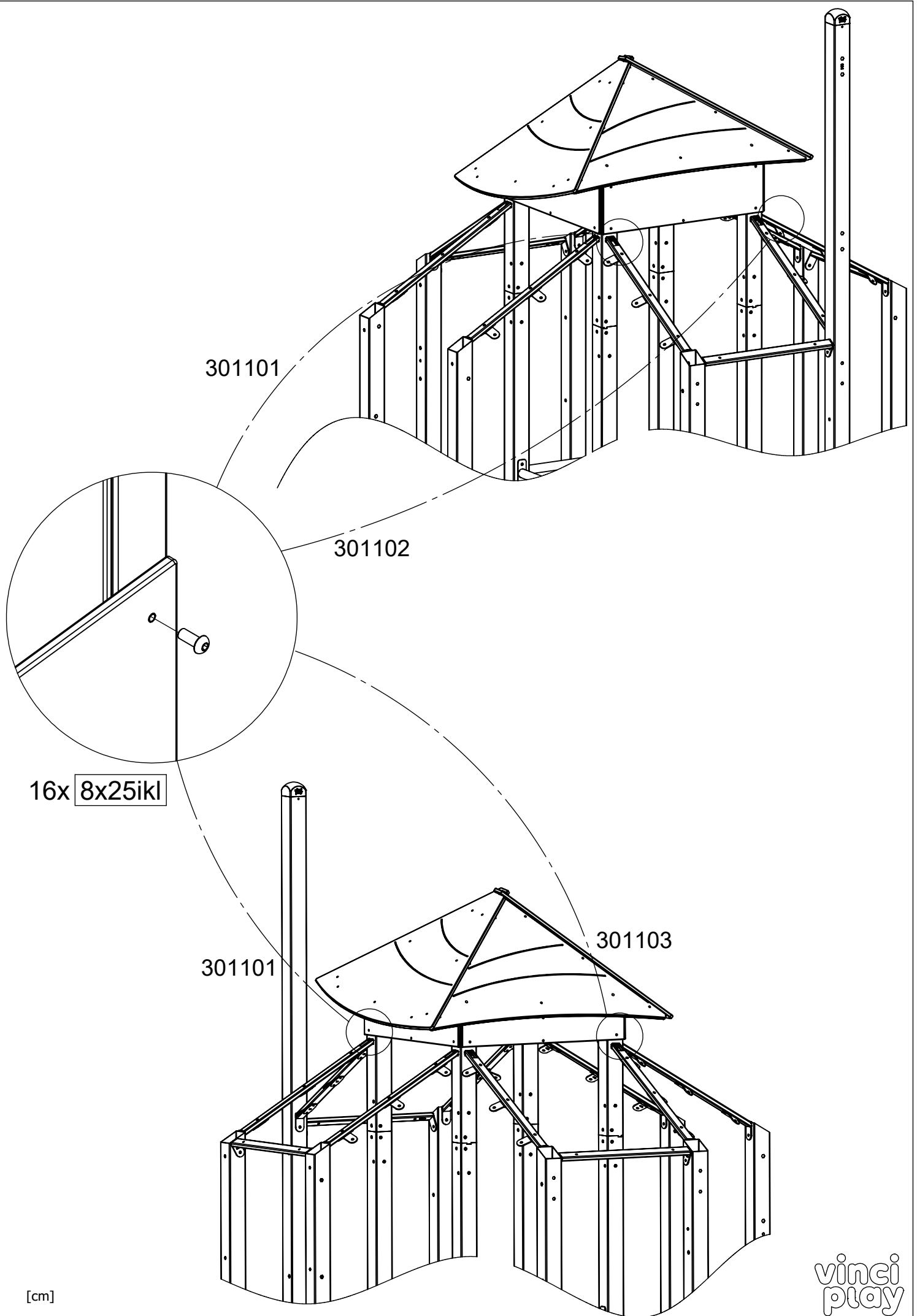
16x 8x25ikl

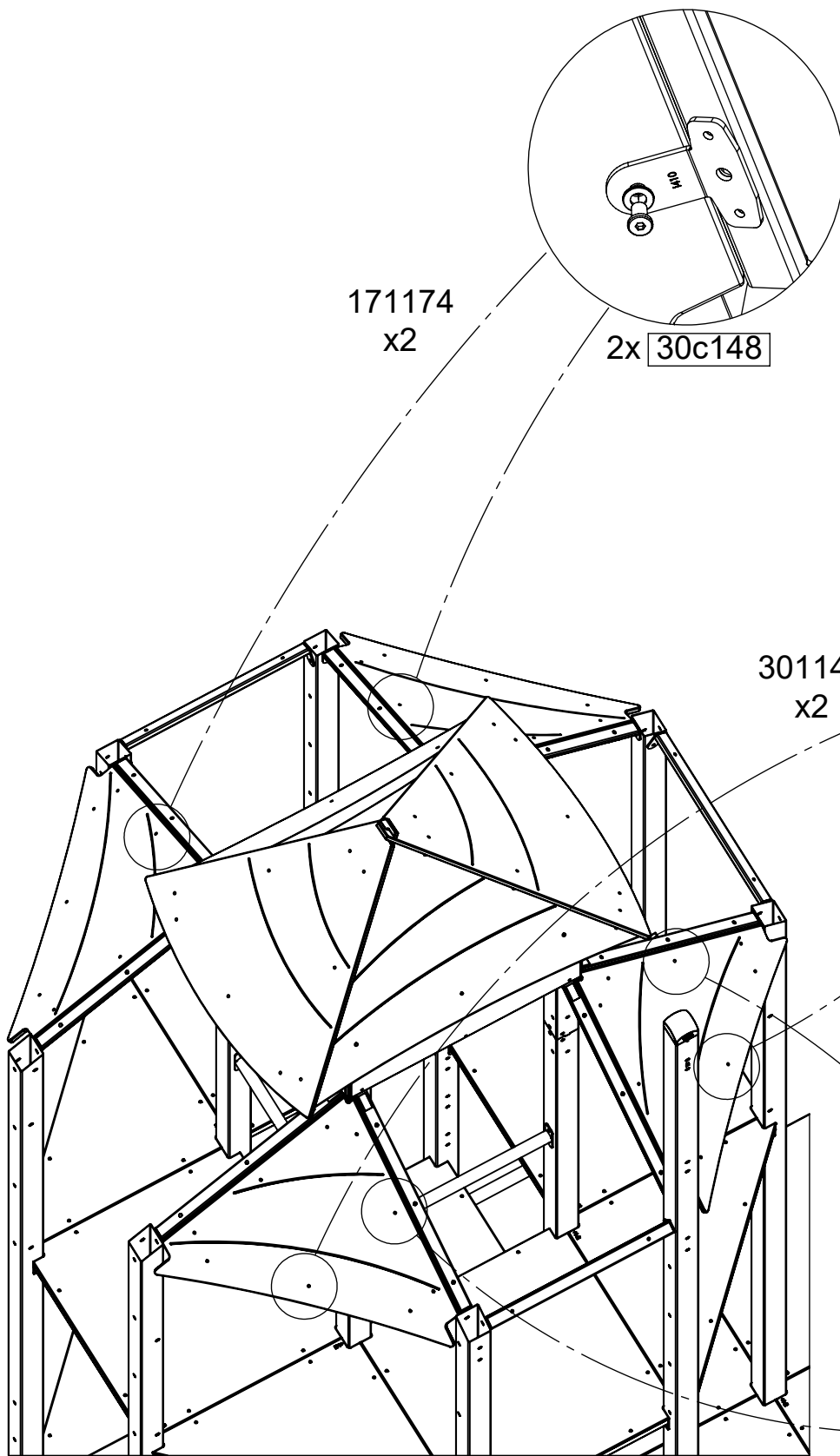
301101

301103

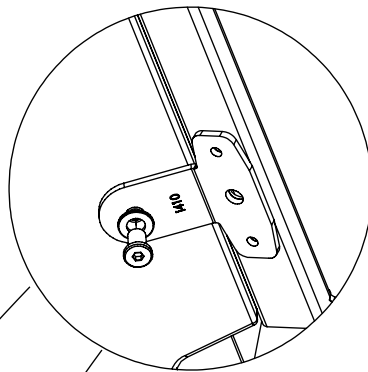
[cm]

vinci
play

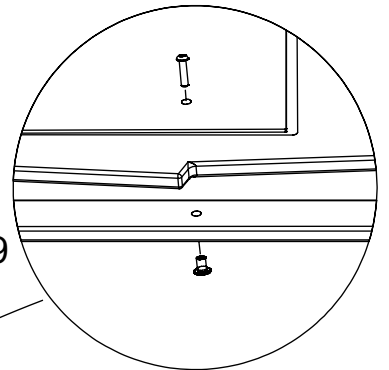




171174
x2



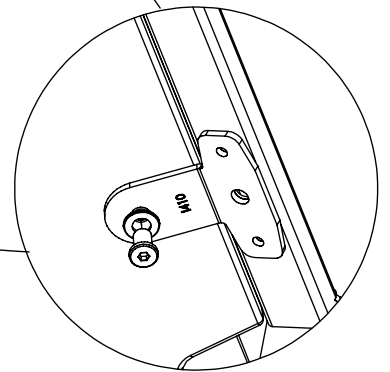
2x 30c148



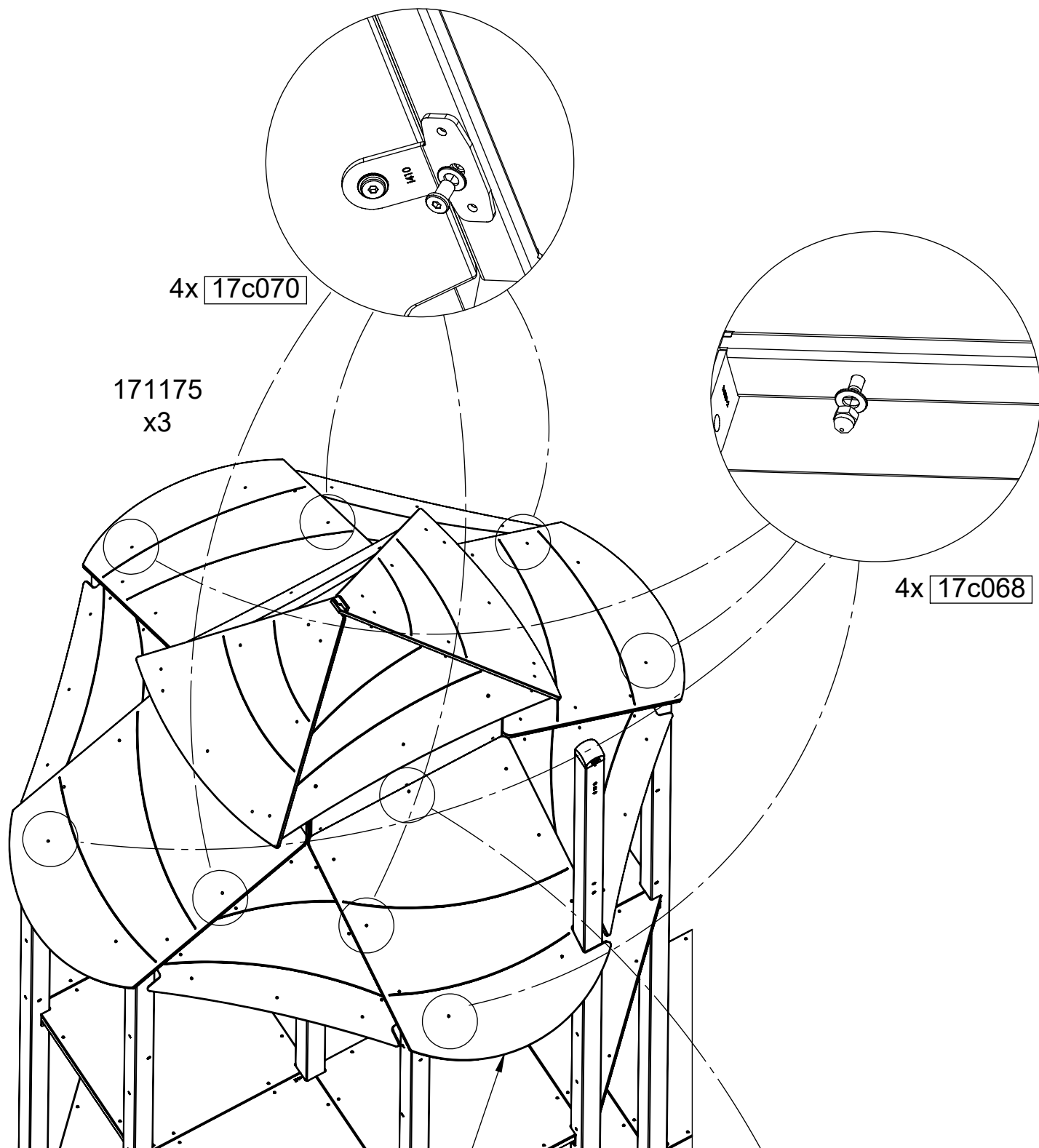
301149
x2

2x 30c152

171174
x2



2x 30c060



4x 17c070

171175
x3

4x 17c068

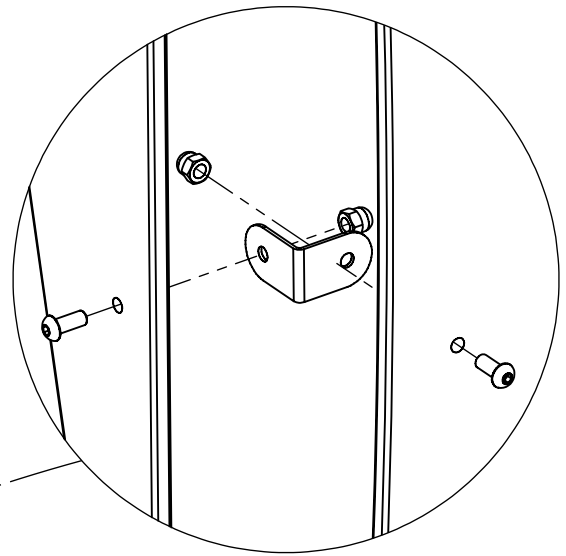
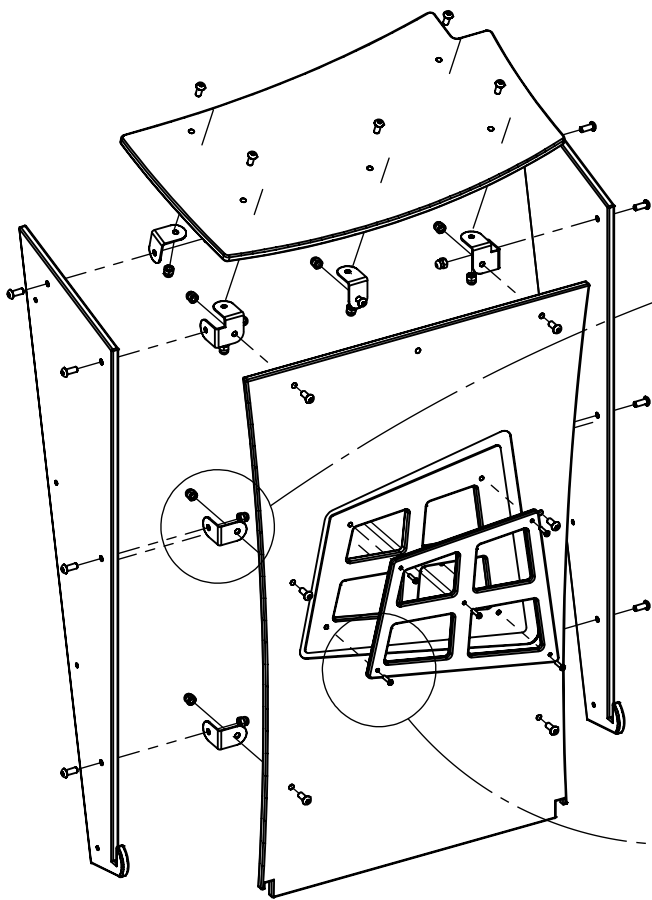
171281

1x 30c062

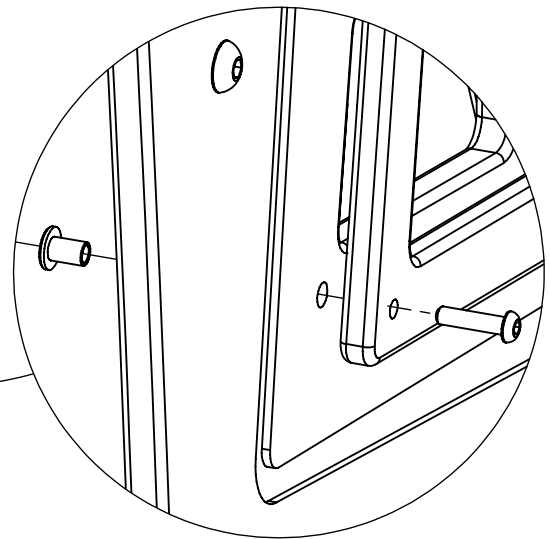
[cm]

vinci
play

X3



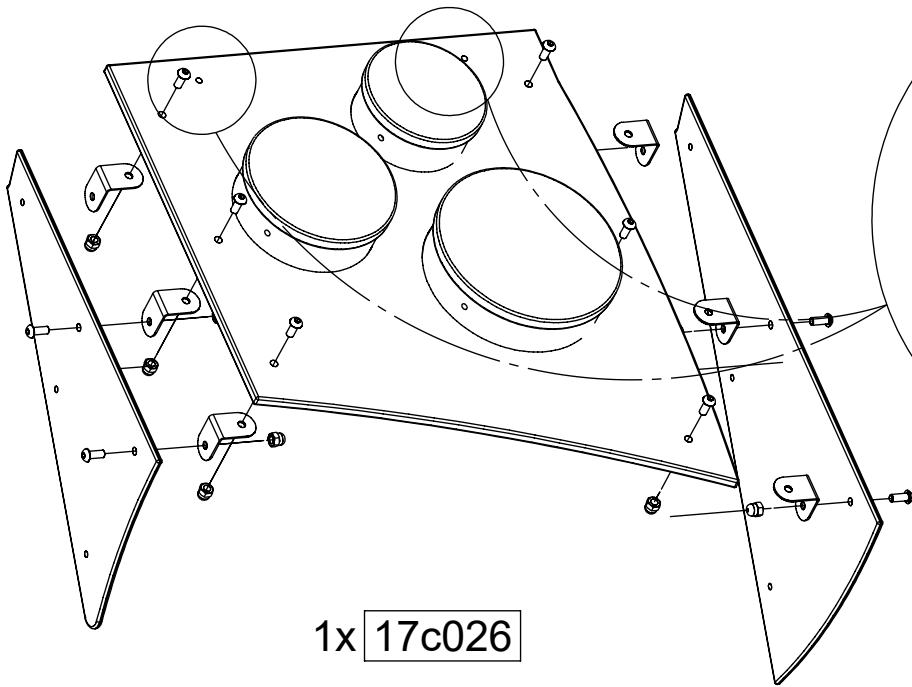
1x 17c056



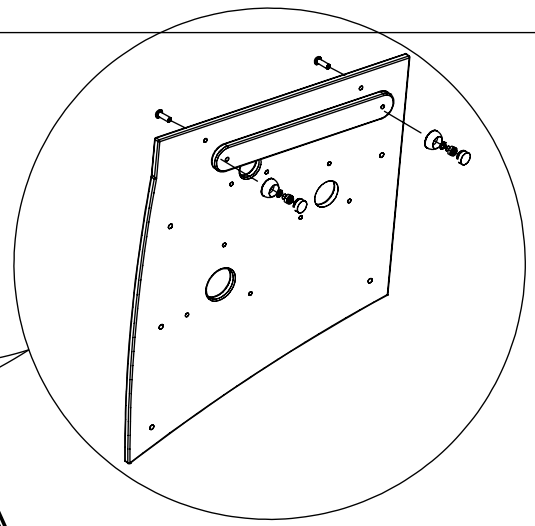
1x 17c052

[cm]

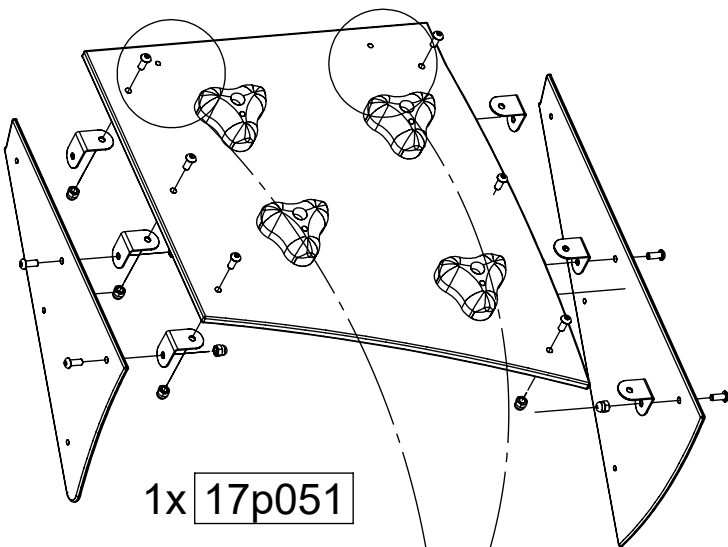
vinci
play



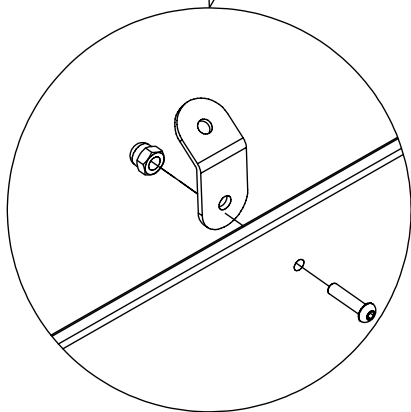
1x 17c026



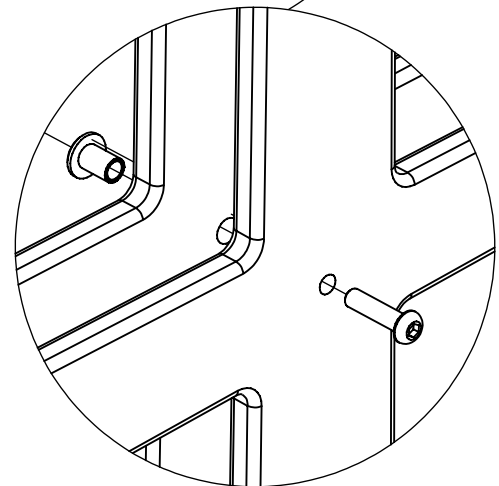
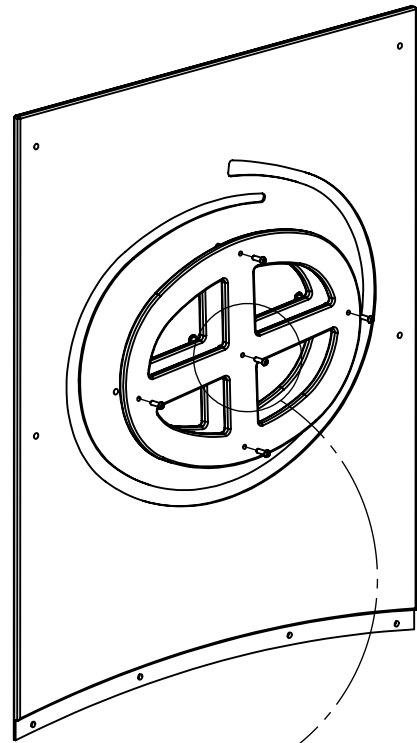
1x 17c018



1x 17p051



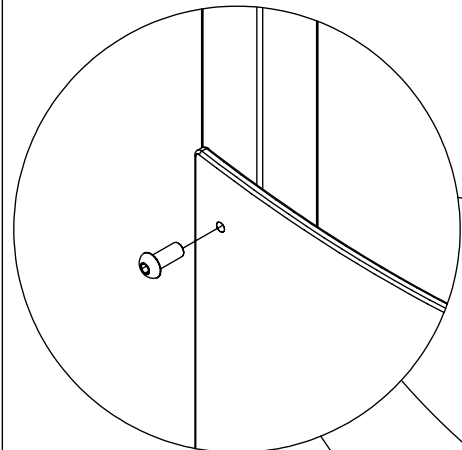
1x 17p015



2x 17c052

[cm]

vinci
play



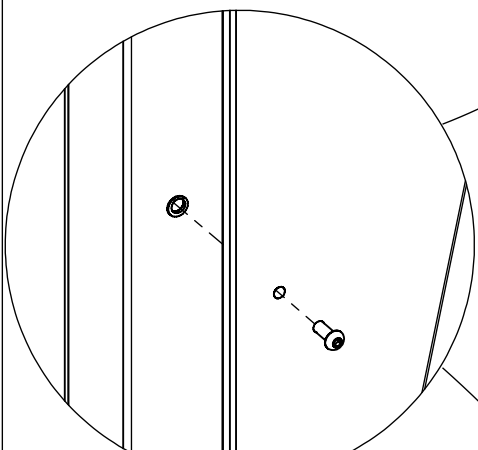
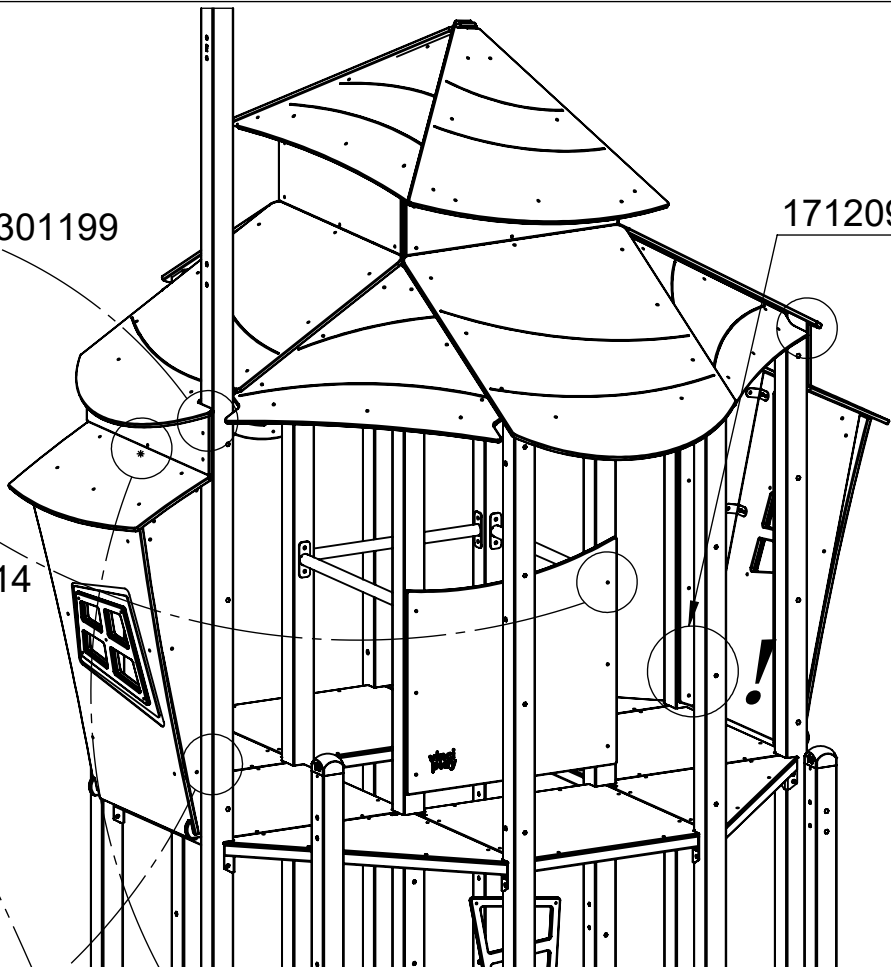
14x 8x25ikl

301199

171209

171114

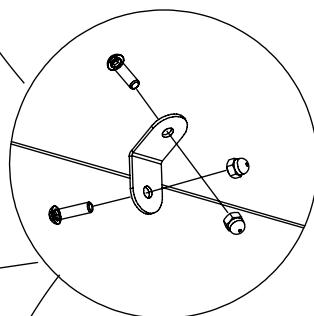
301199
x2



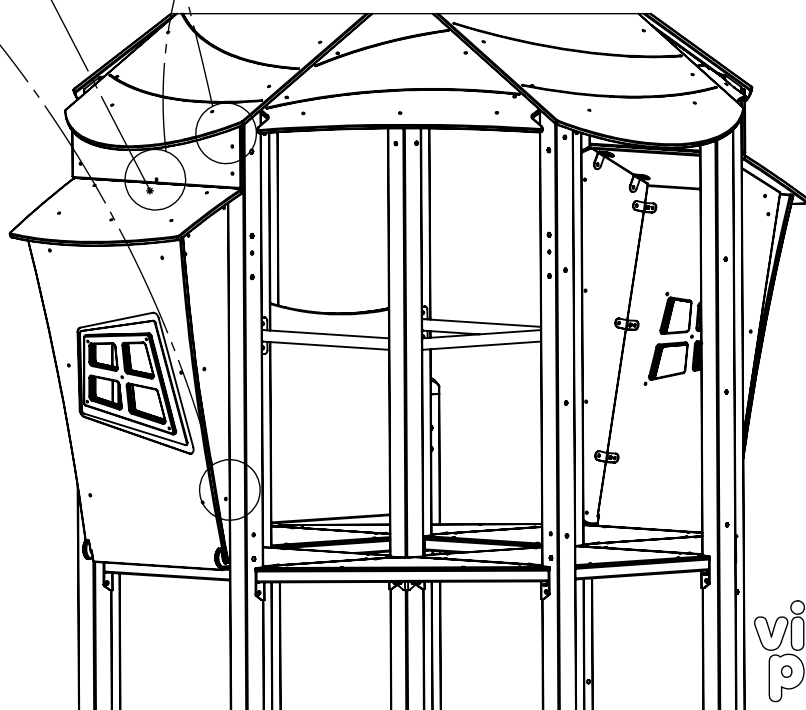
16x 8x25ikl



301199

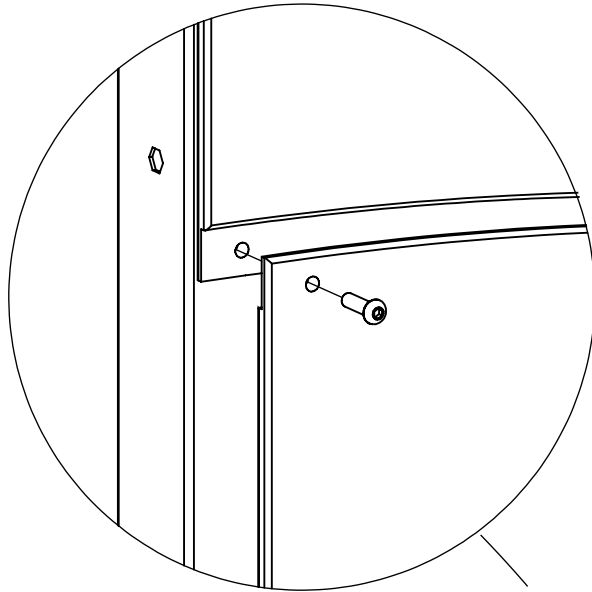


2x 17c124

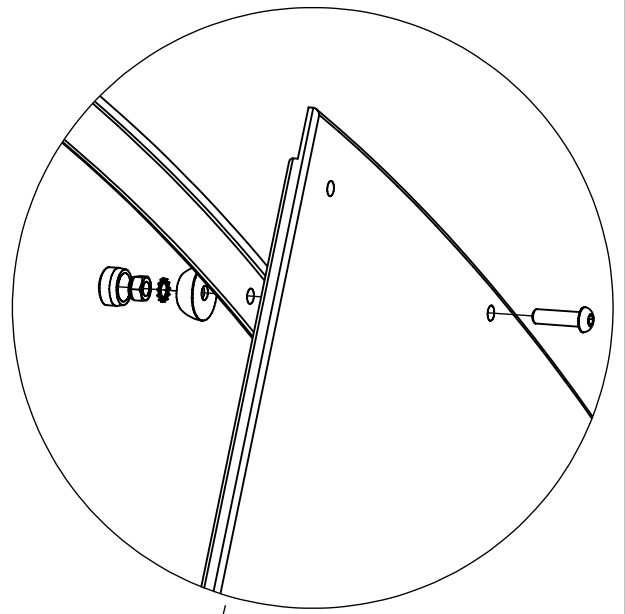


[cm]

vinci
play

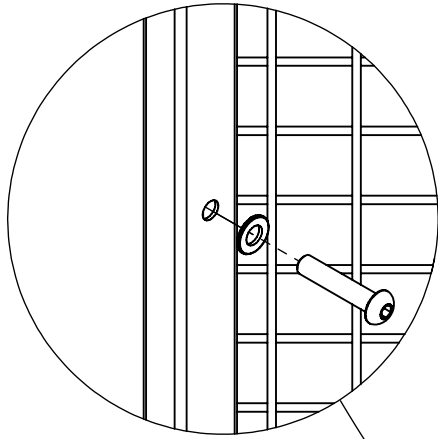


8x 8x25ikl



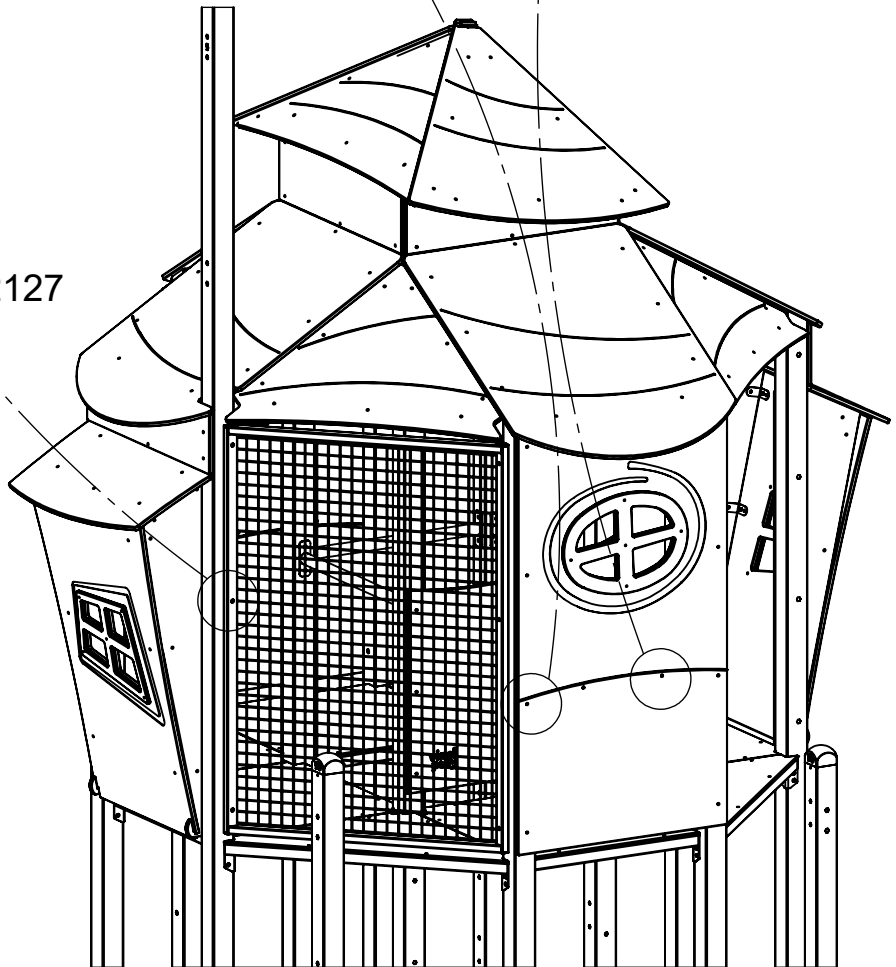
1x 17c054

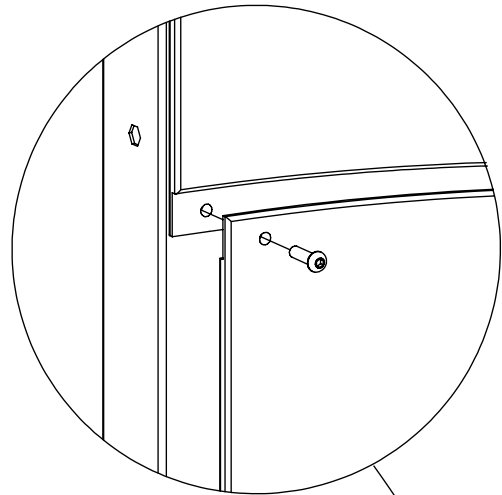
171183
171185



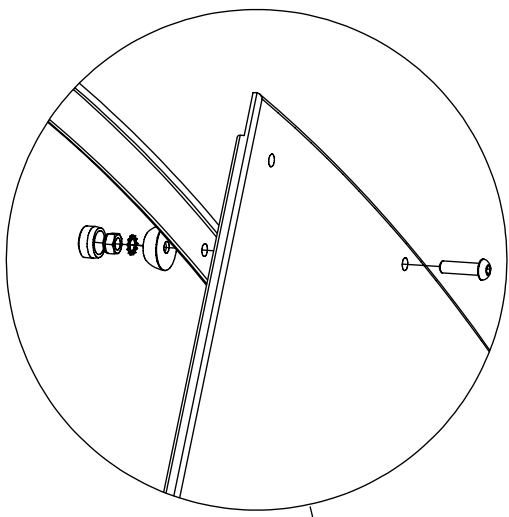
1x 17e032

172127

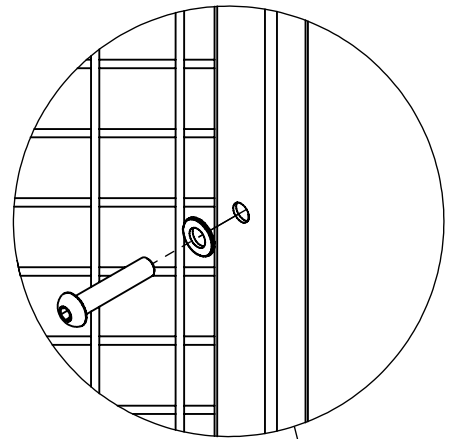




8x 8x25ikl



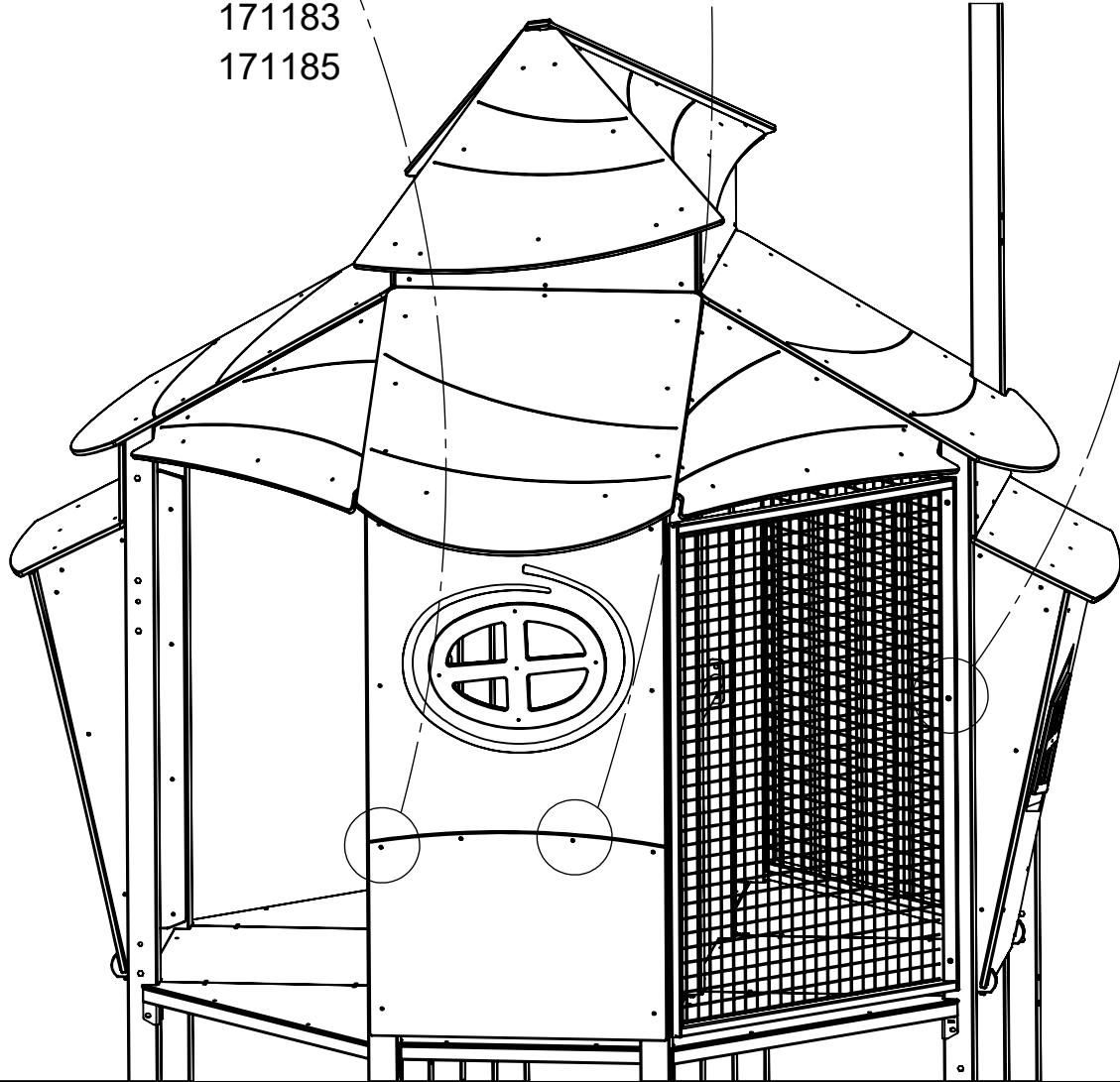
1x 17c054



1x 17e032

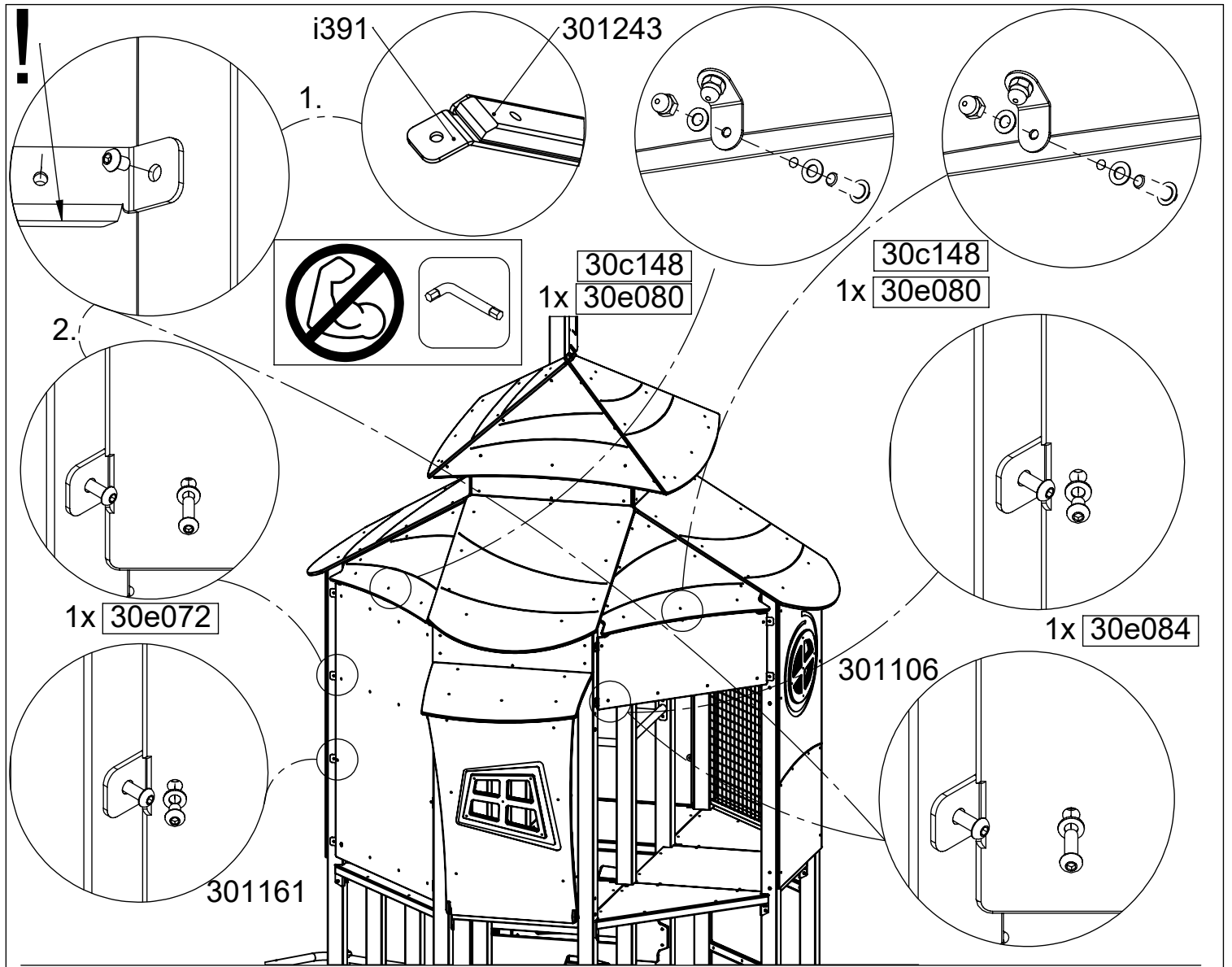
171183
171185

172127

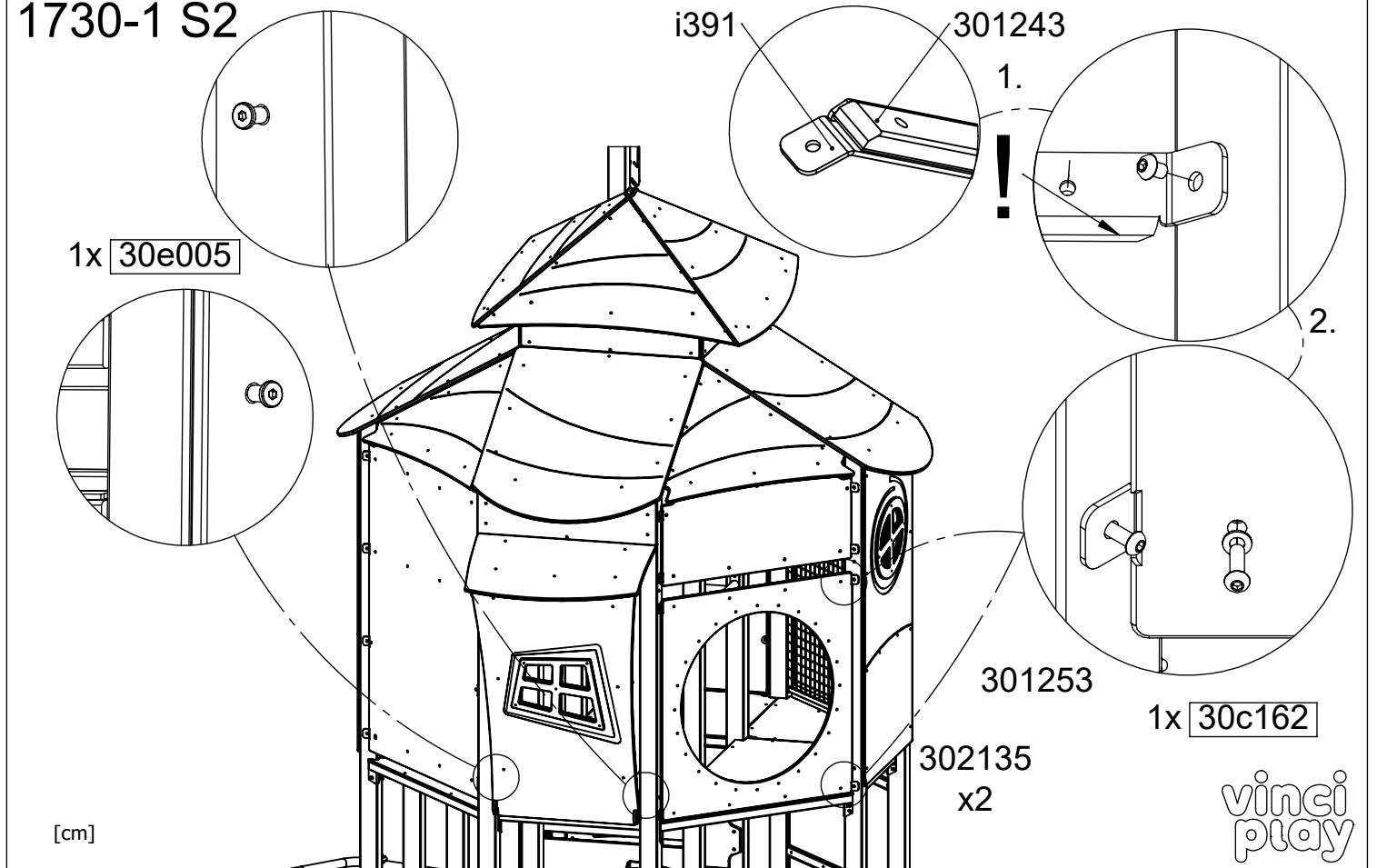


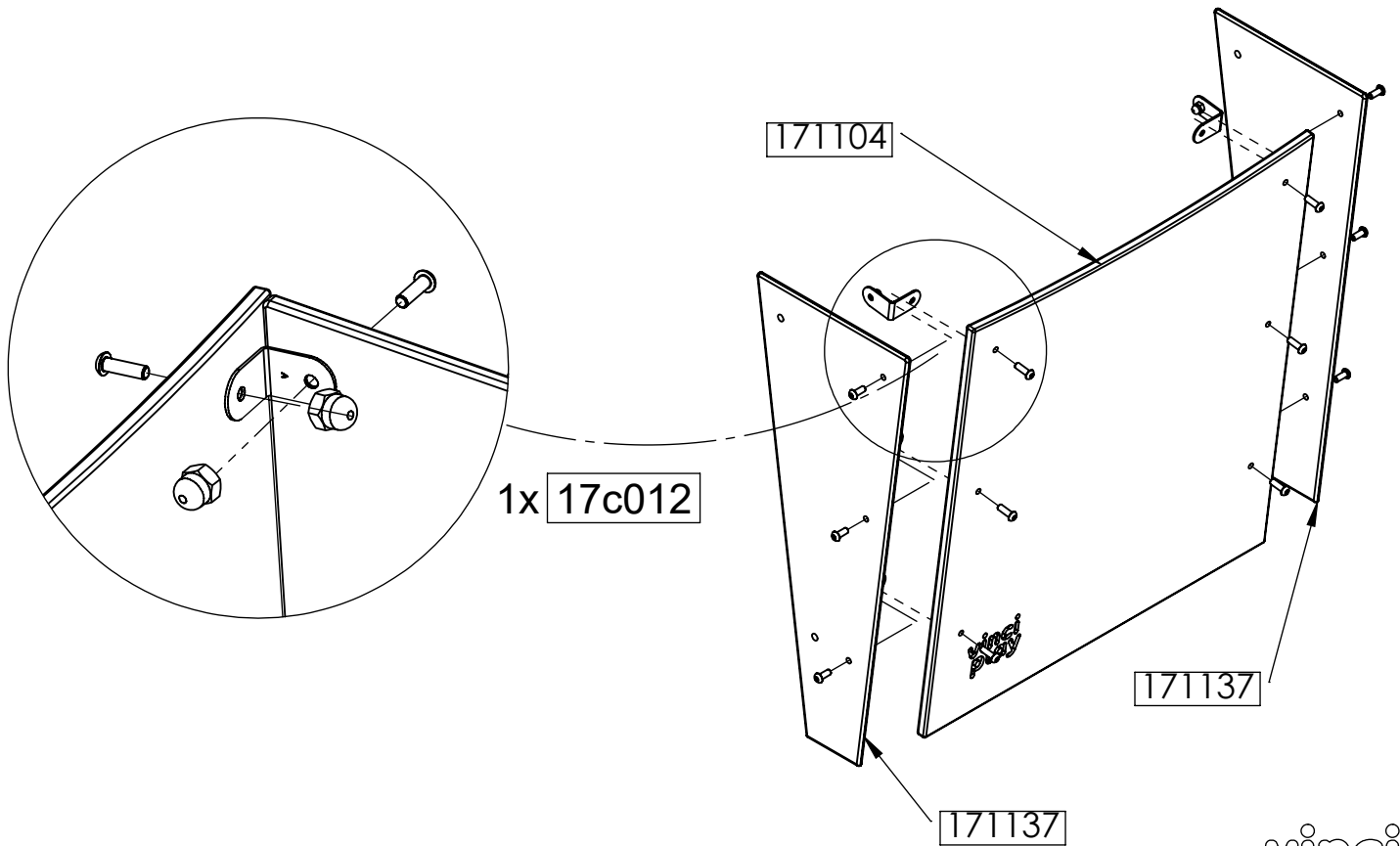
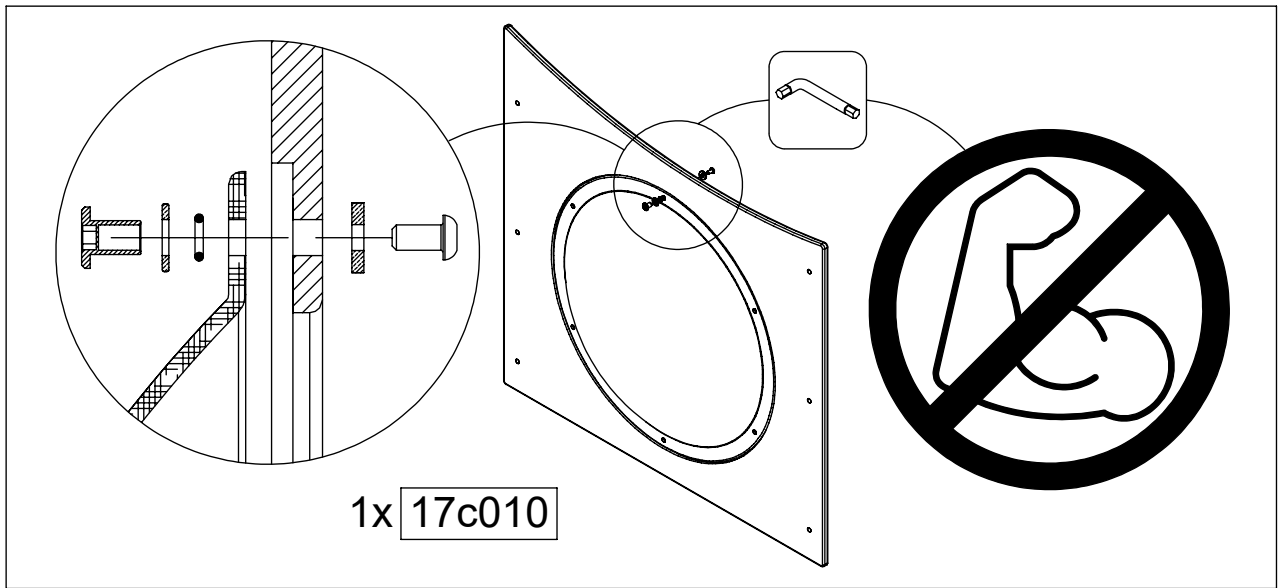
[cm]

vinci
play



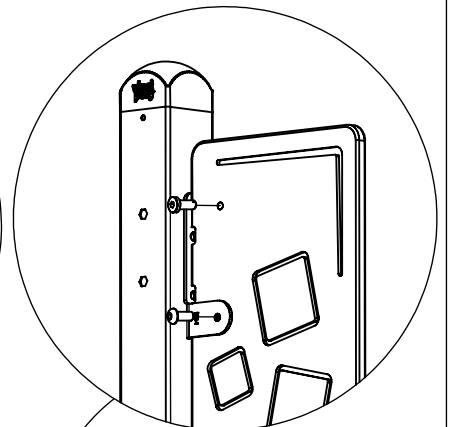
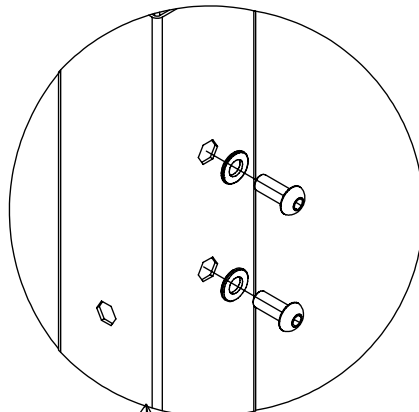
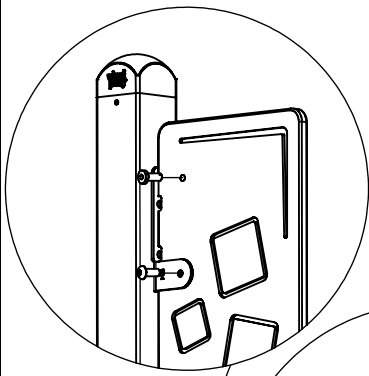
1730-1 S2



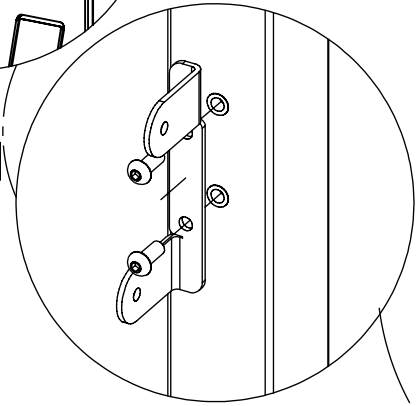


[cm]

171279
x2

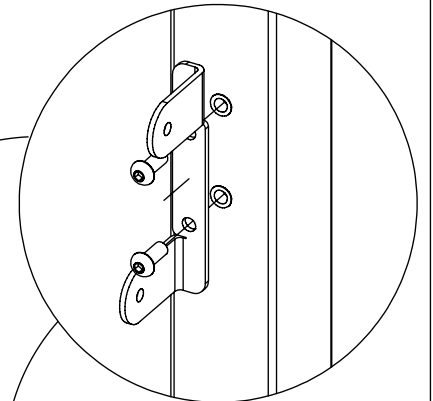
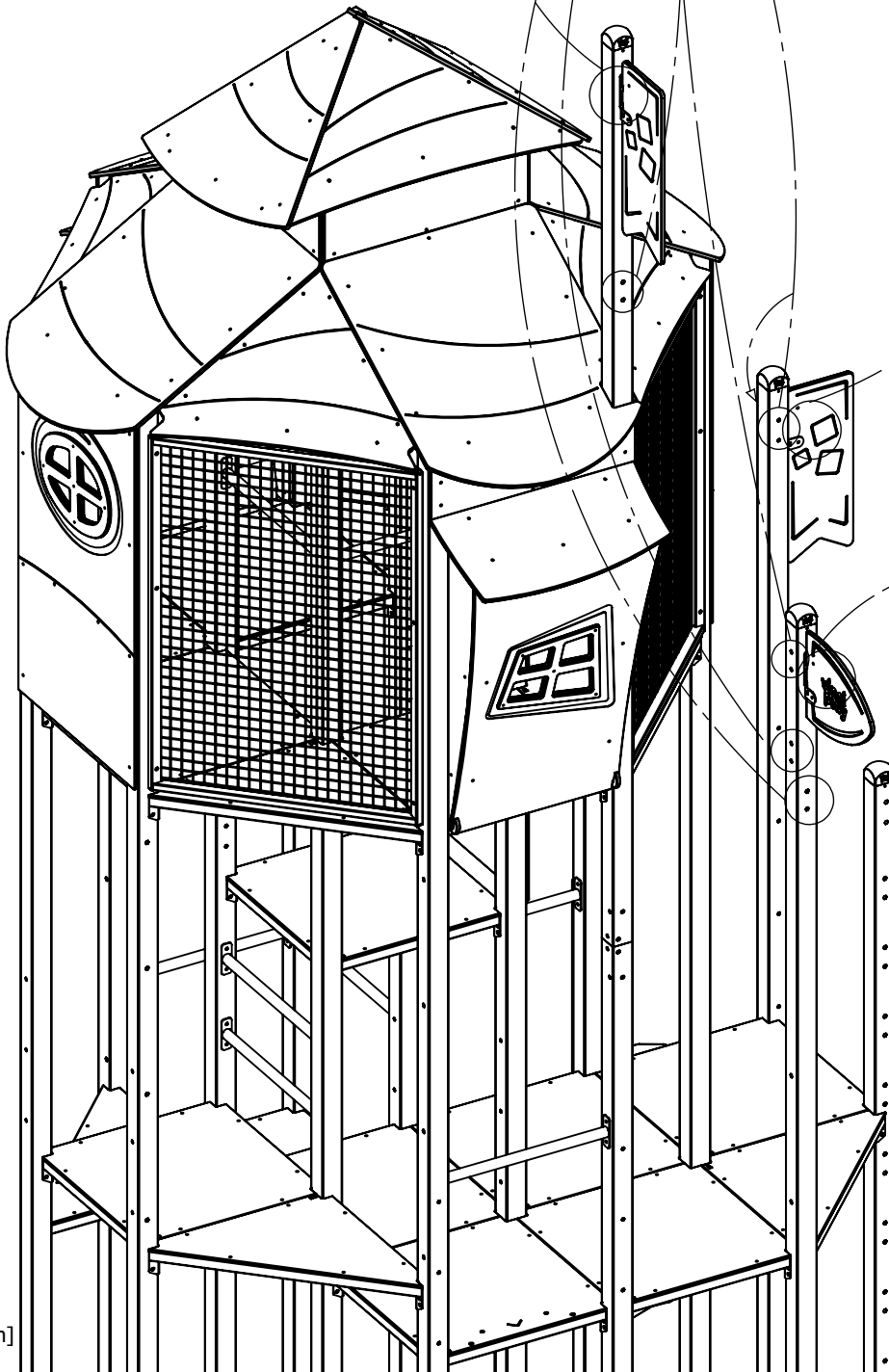
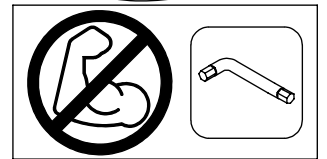
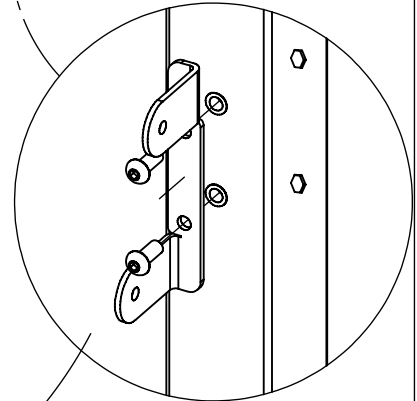


1x 17e030

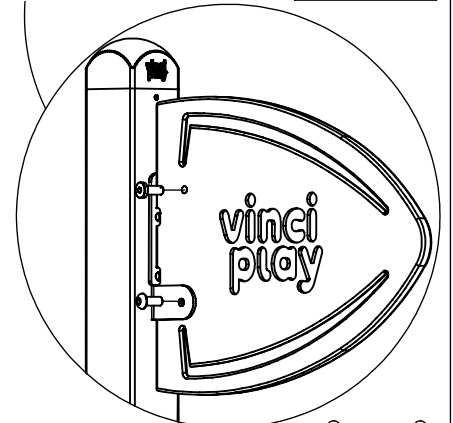


12x 10x25ikl
12x 10pp

1x 17e030



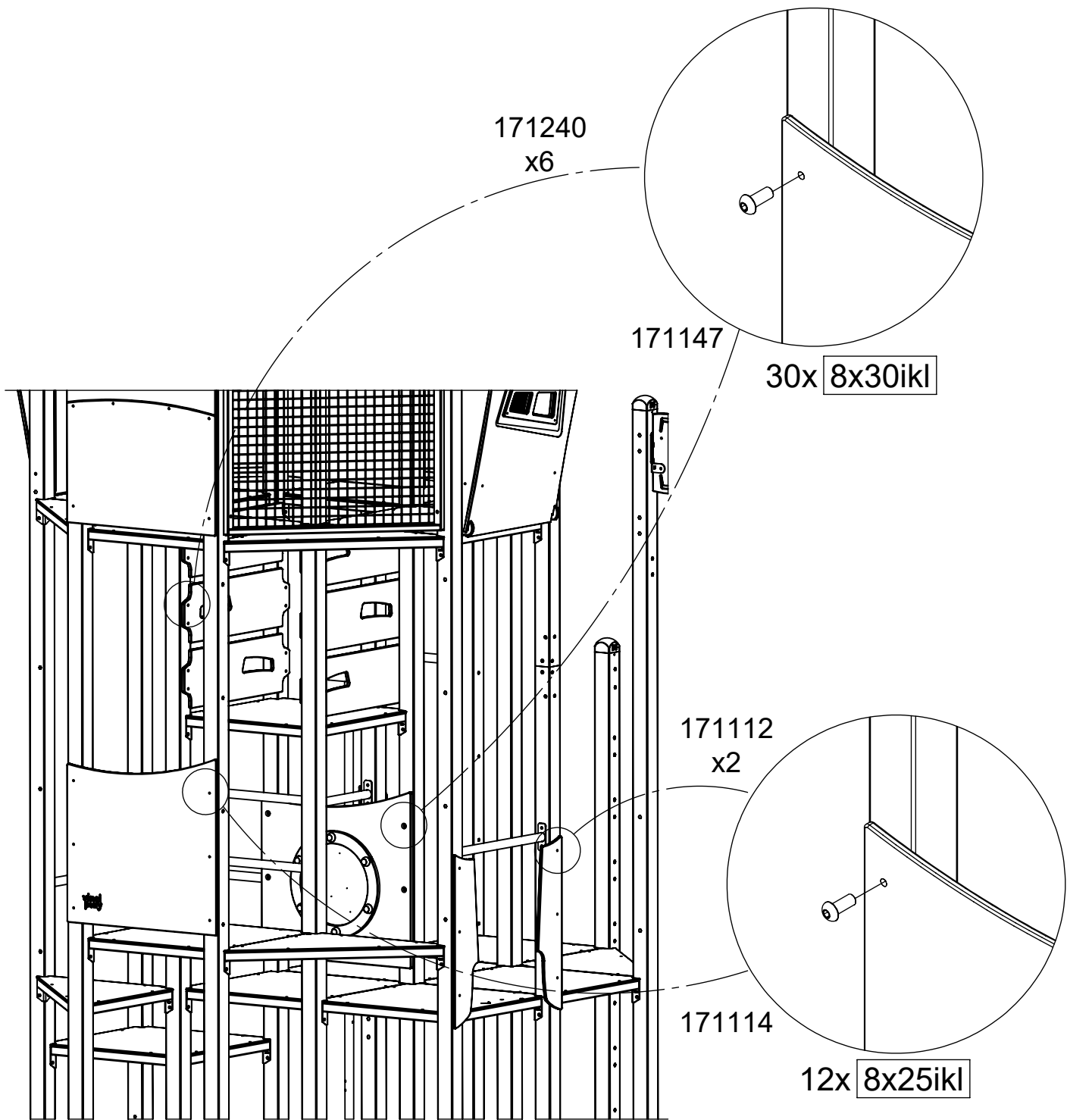
1x 17e030

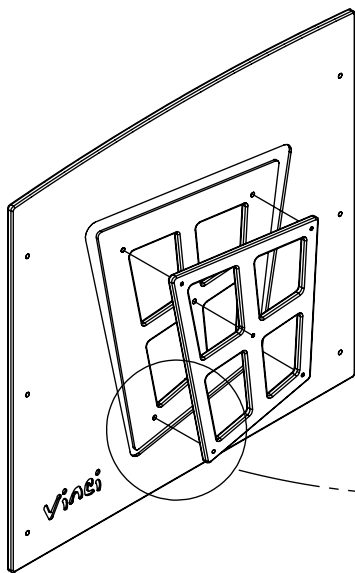


[cm]

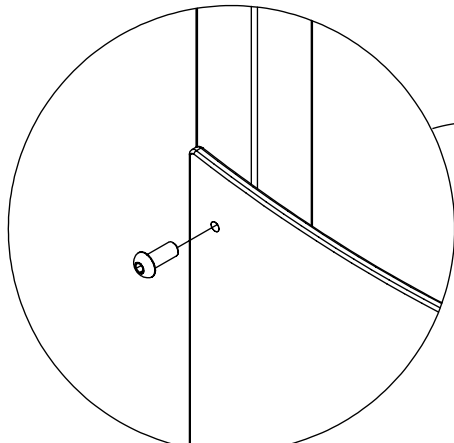
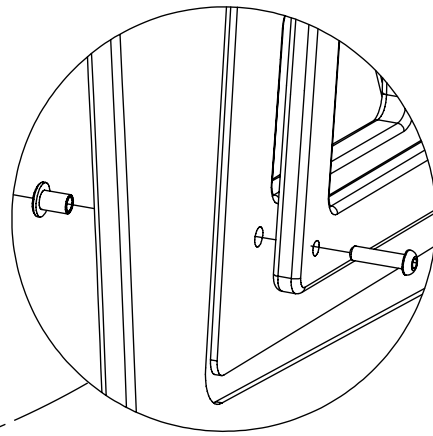
301118

vinci
play





1x 17c052



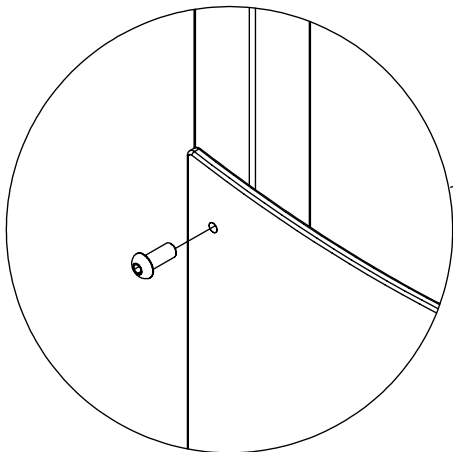
4x 10x25ikl



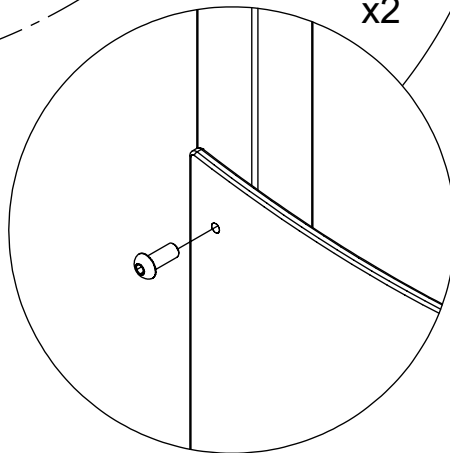
171164

171280

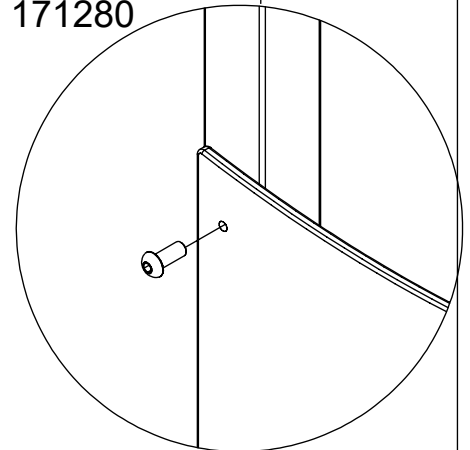
x2



8x 8x30ikl



6x 8x30ikl

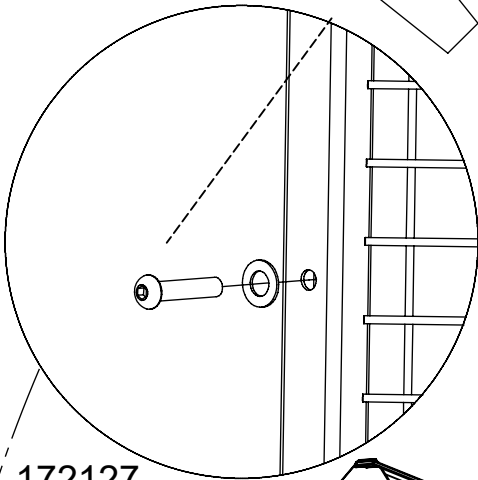
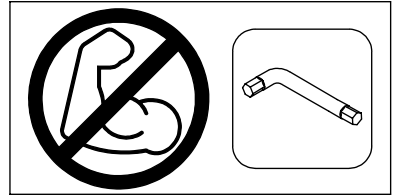
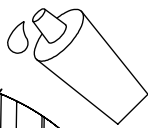


6x 8x25ikl

[cm]

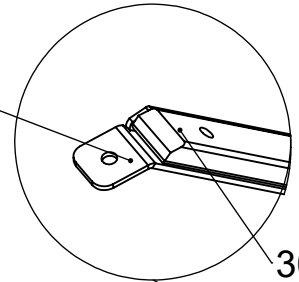
vinci
play

1x 17e032



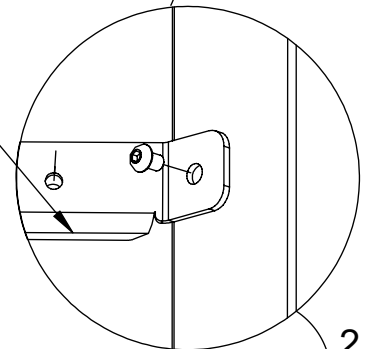
172127

i391

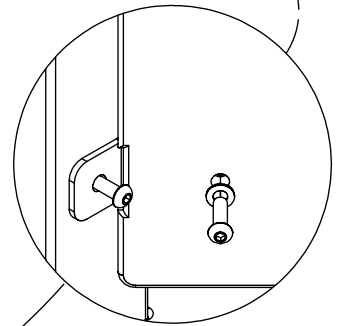


301243

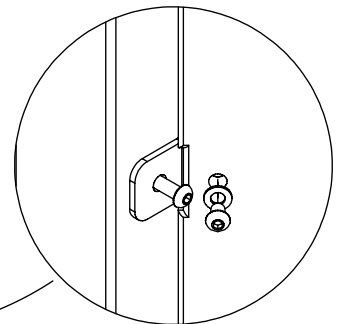
1.



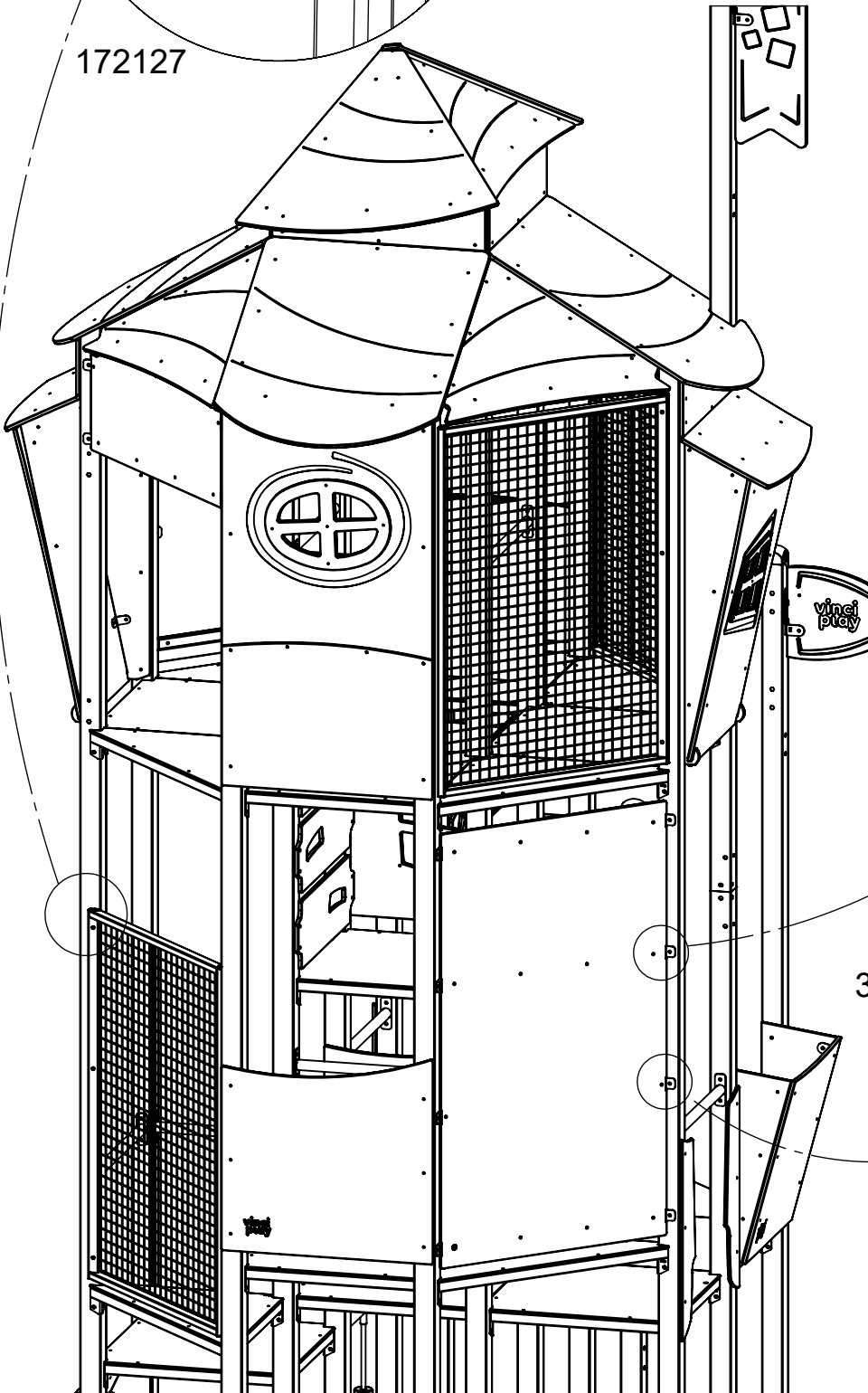
2.



1x 30e072

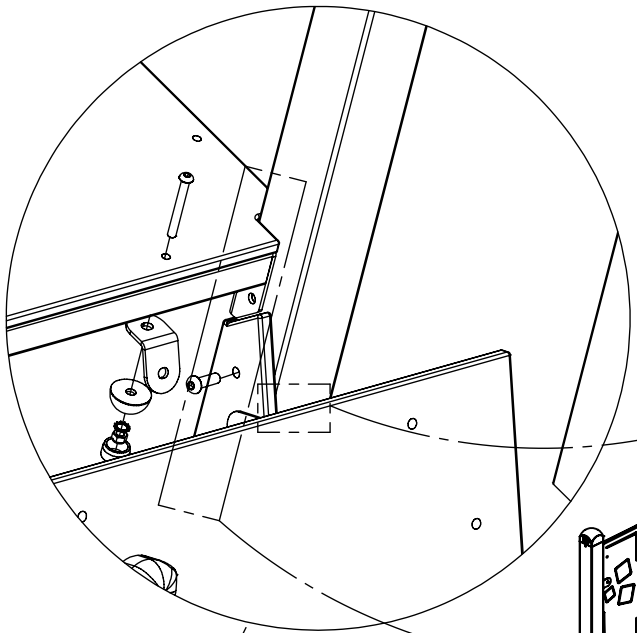


301233



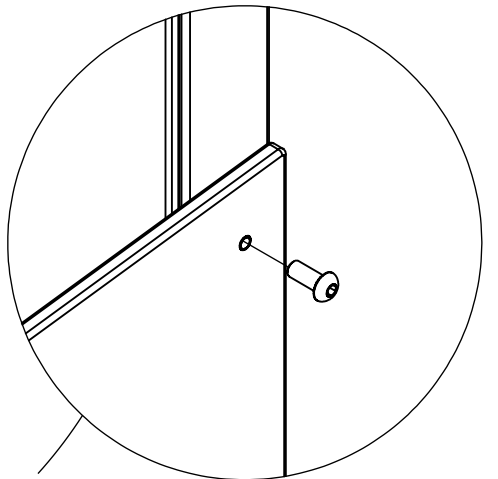
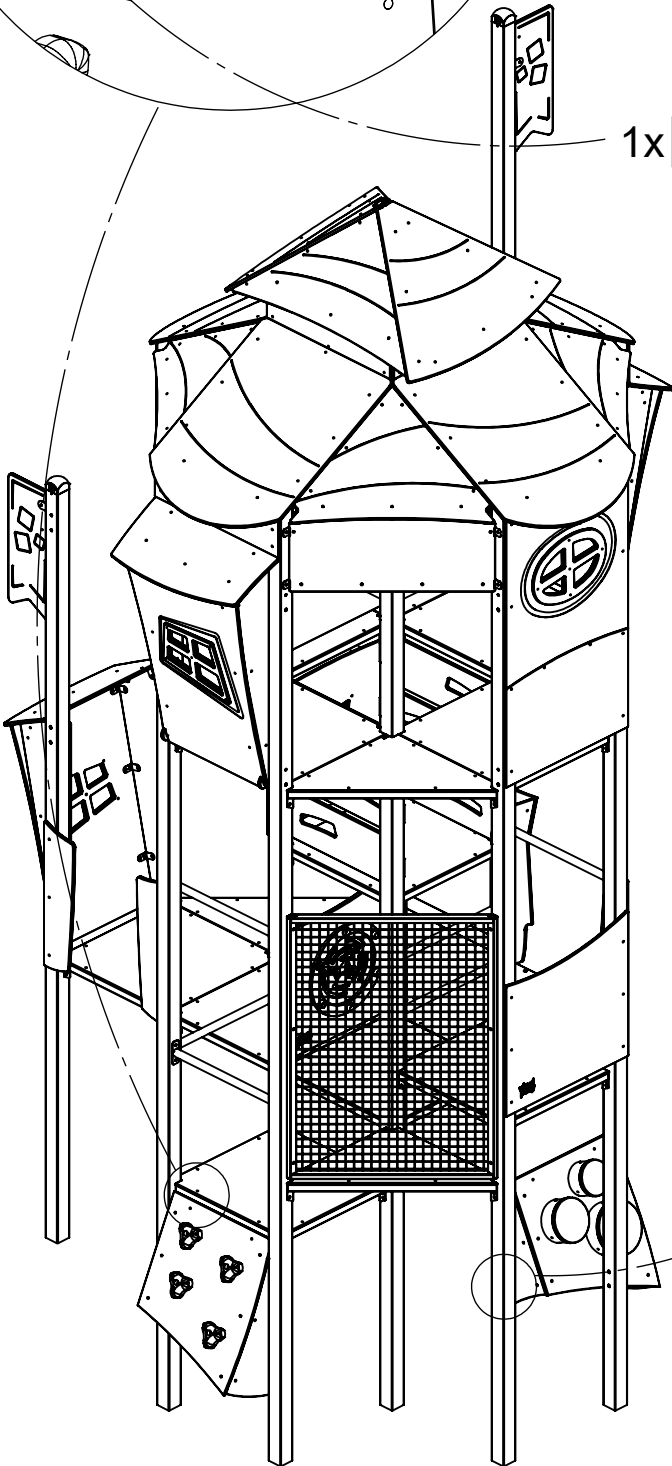
[cm]

vinci play



6x 8x25ikl

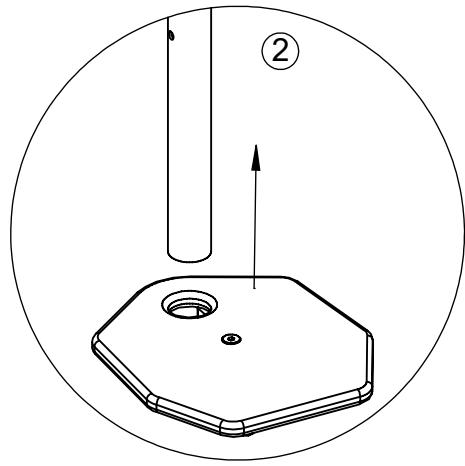
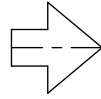
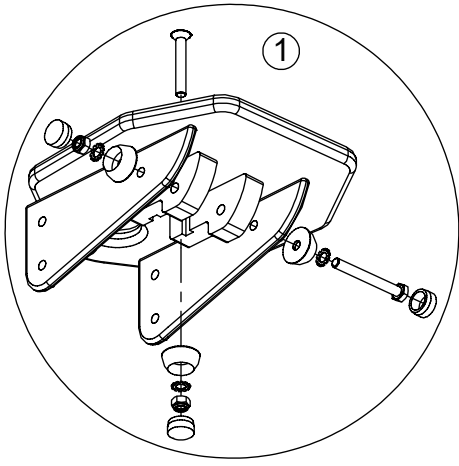
1x 17p021



6x 8x25ikl

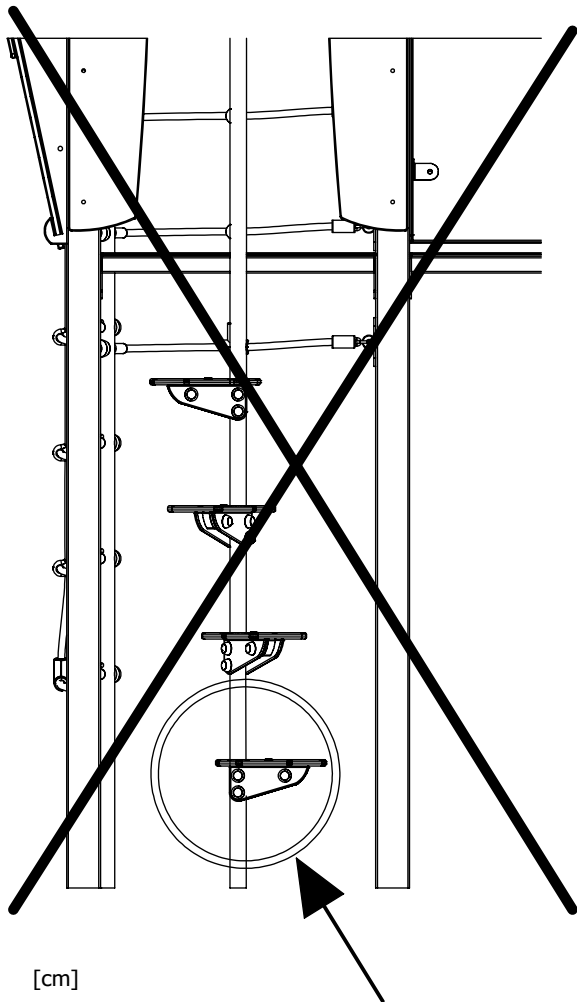
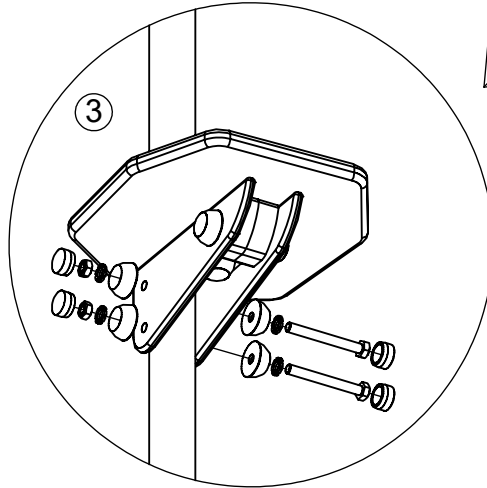
[cm]

vinci
play

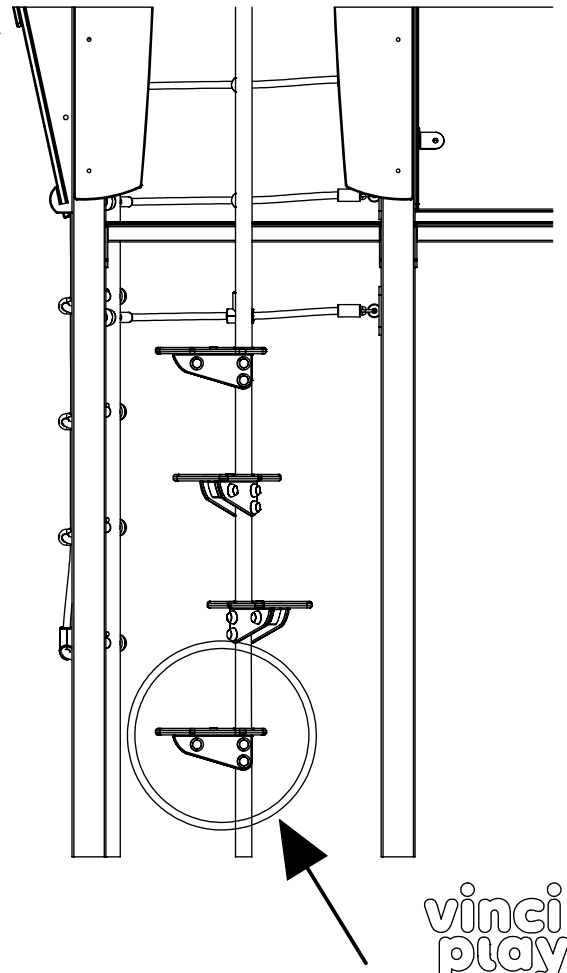
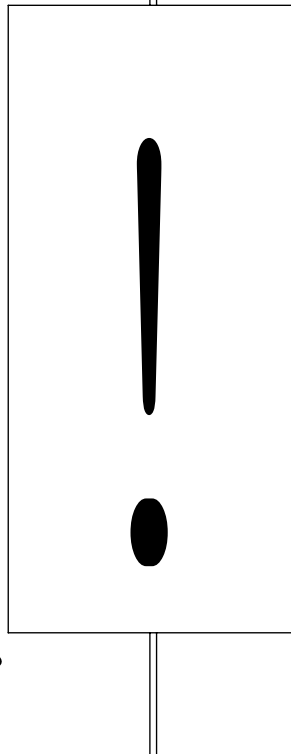


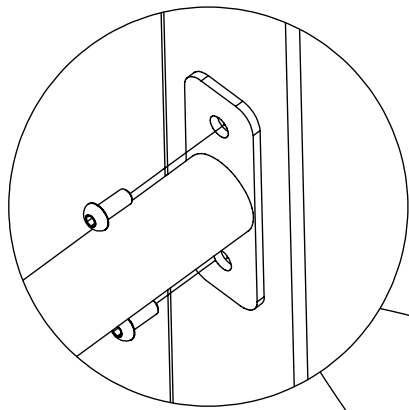
4x 17p033

4x 17p035

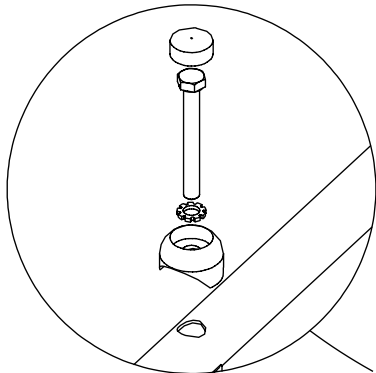


OK

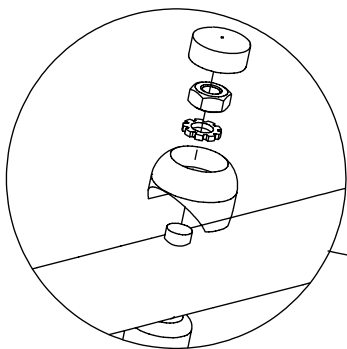




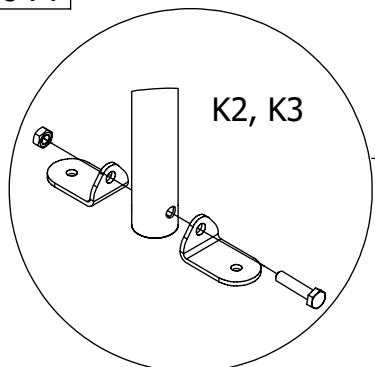
8x 10x25i



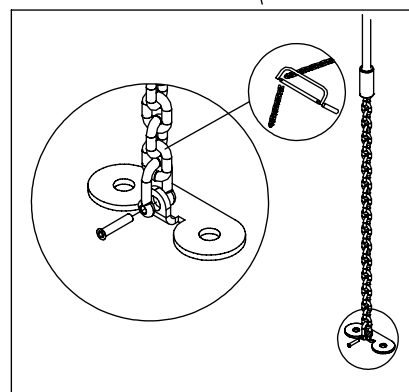
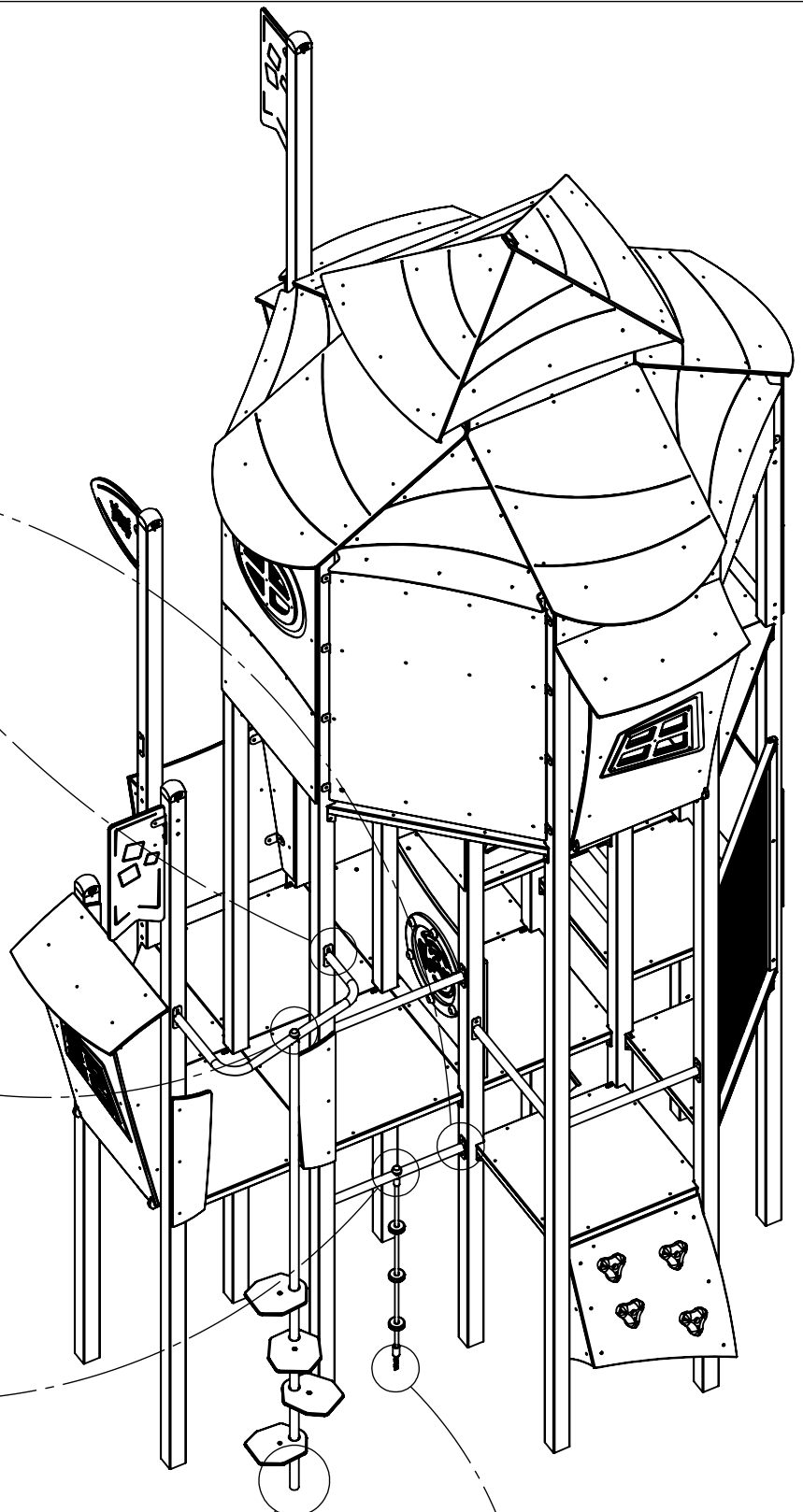
1x 17e039



1x 17e011



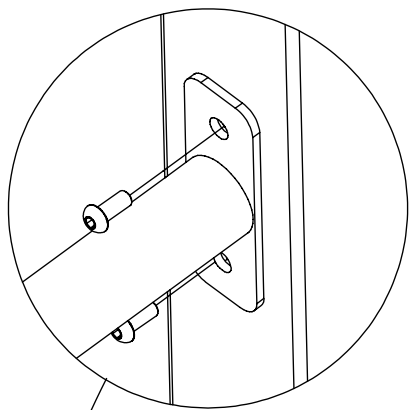
1x 17e038



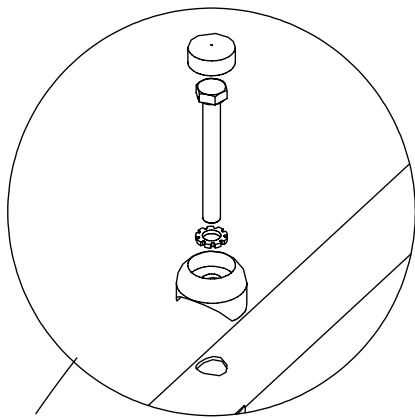
1x 17e052

[cm]

vinci play



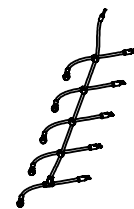
4x 10x25ikl



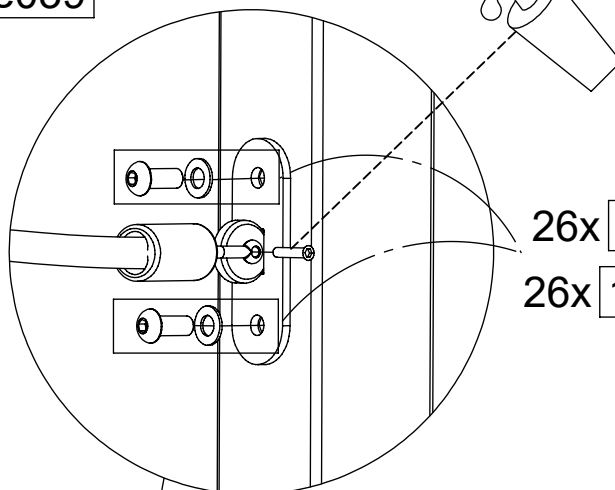
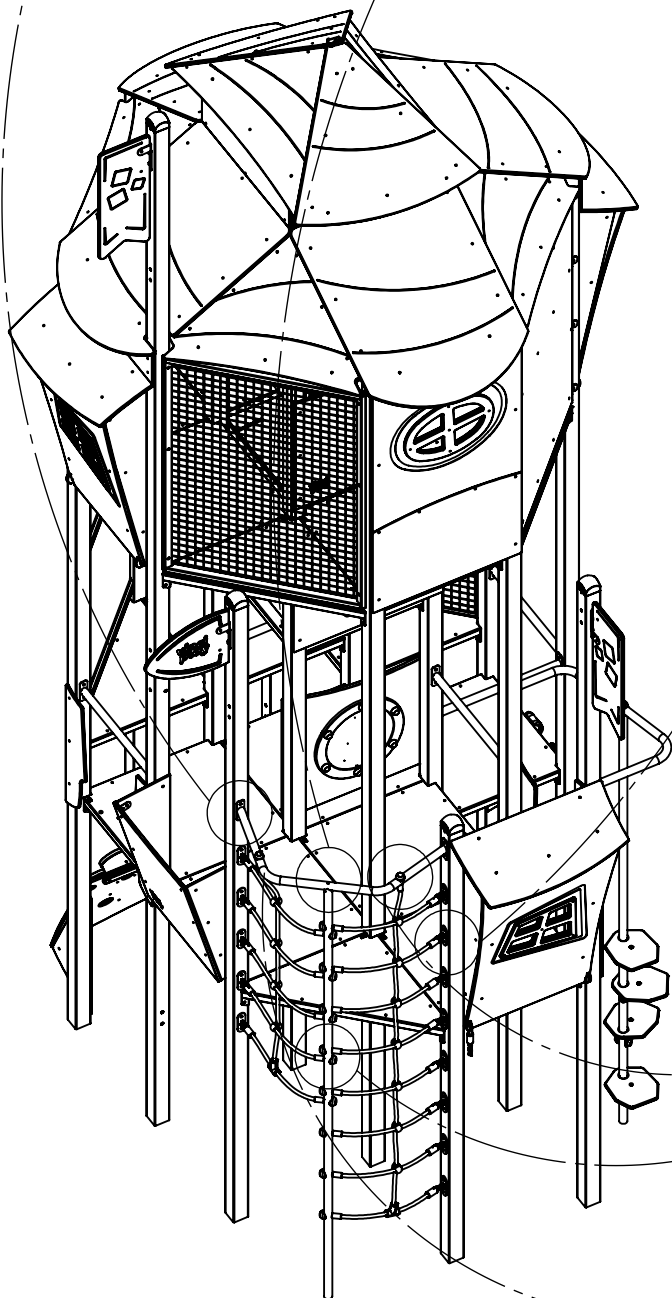
1x 17e039



x1



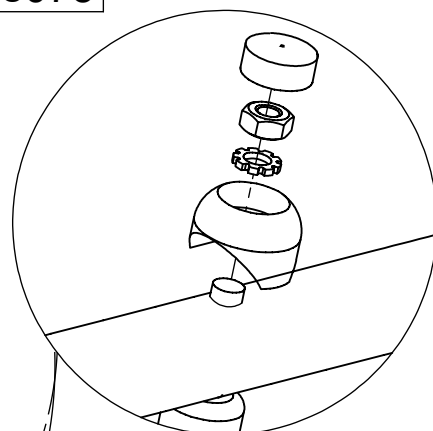
x1



26x 10pp

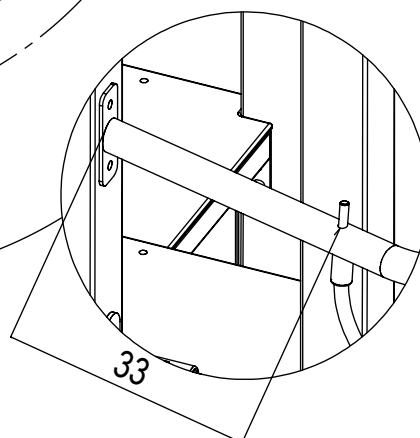
26x 10x25ikl

1x 17e075



1x 17e016

1x 17e019



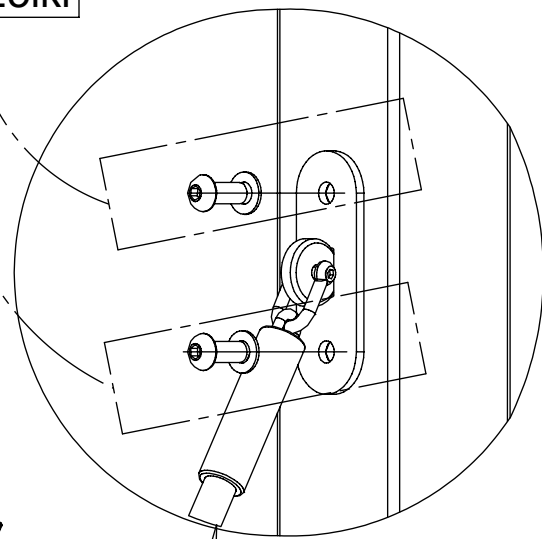
33

[cm]

vinci play

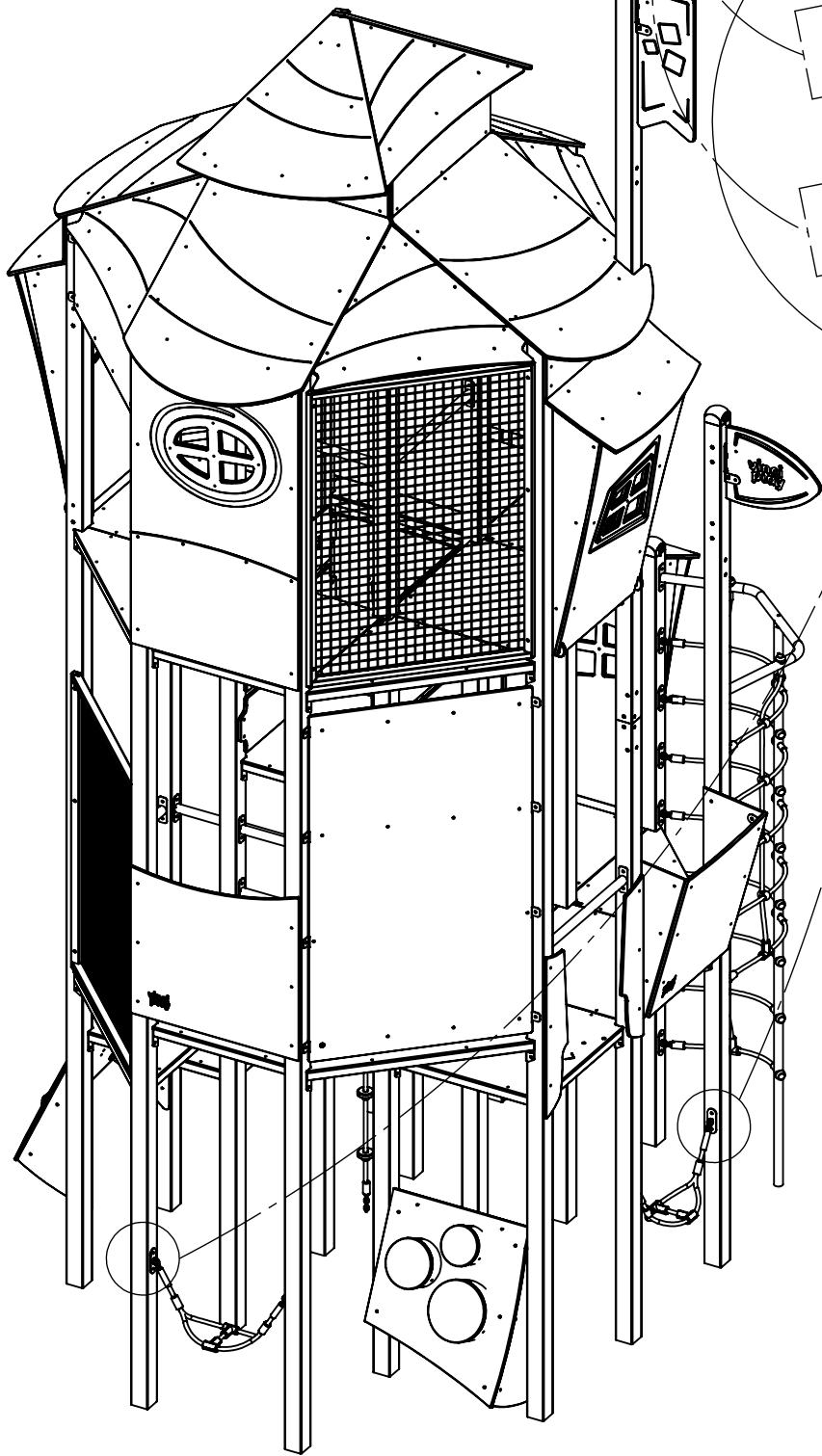
8x 10pp

8x 10x25ikl

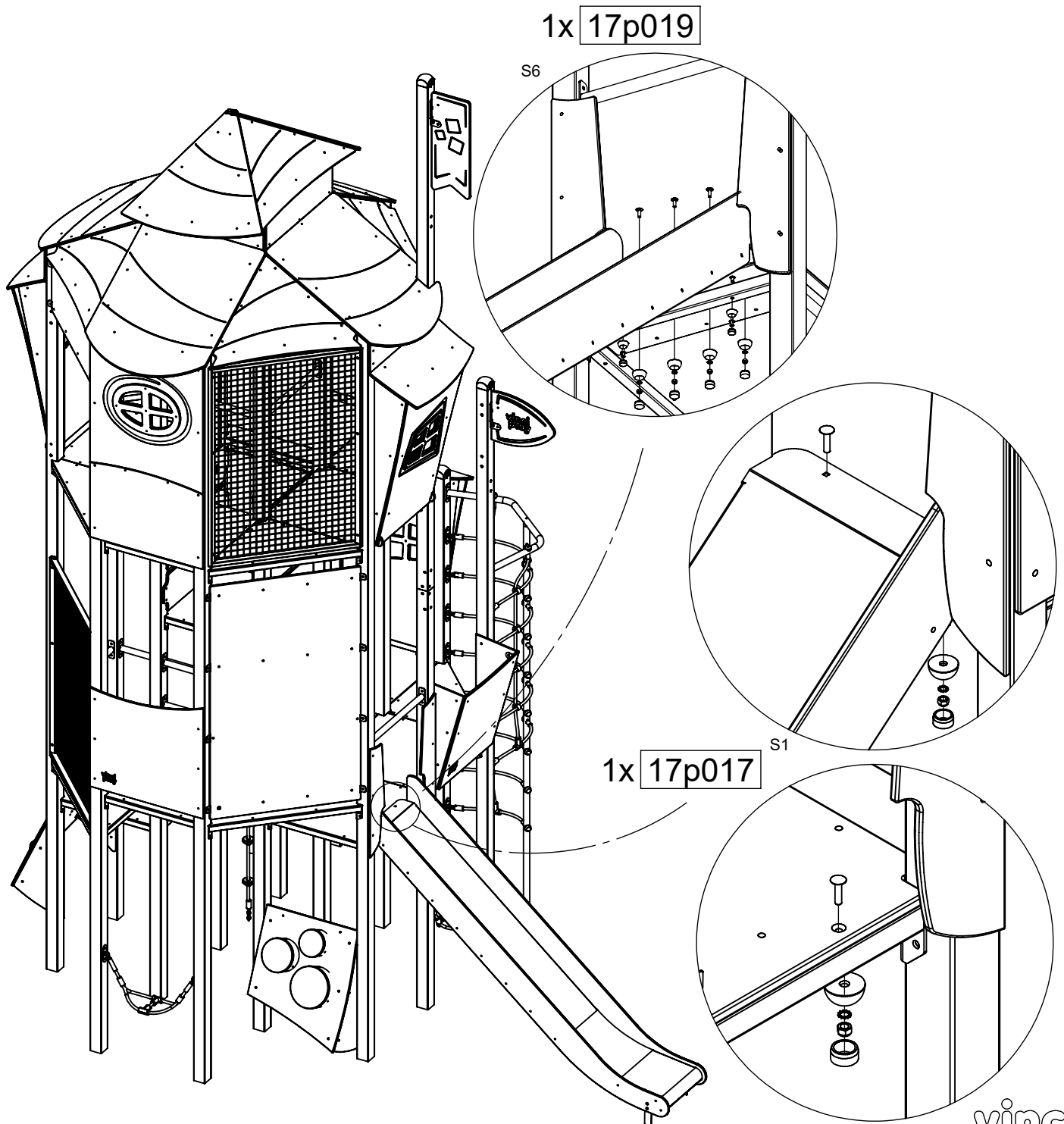
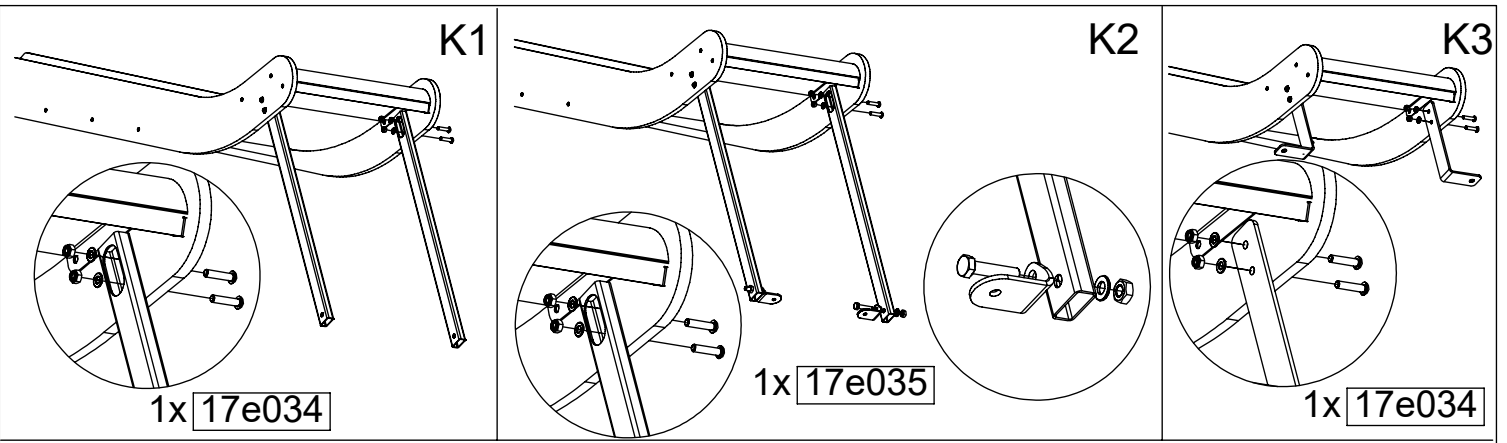


2x 17e050

174128
x2

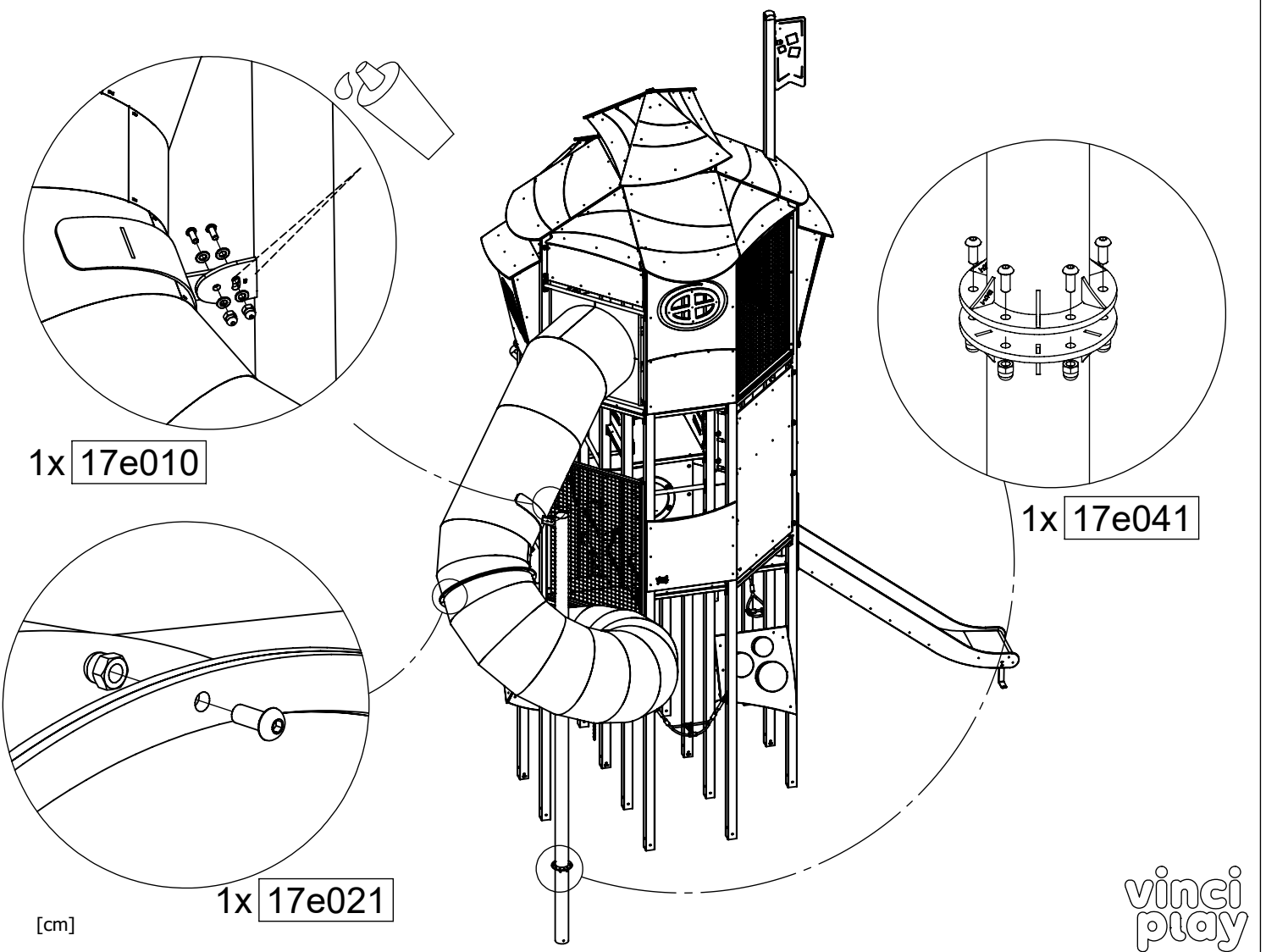
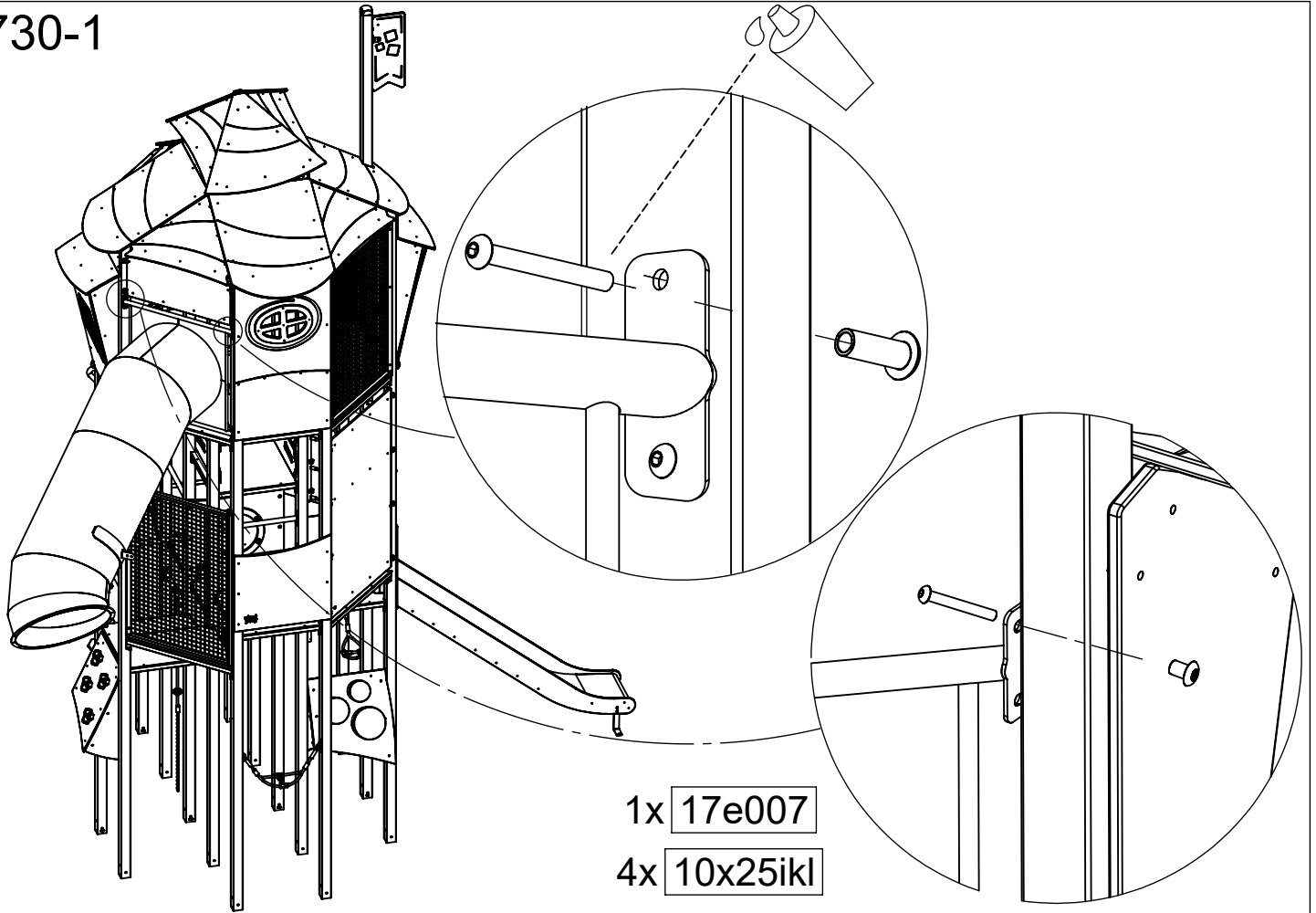


[cm]

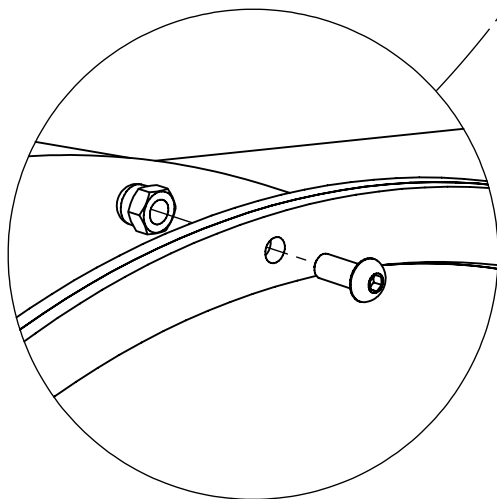
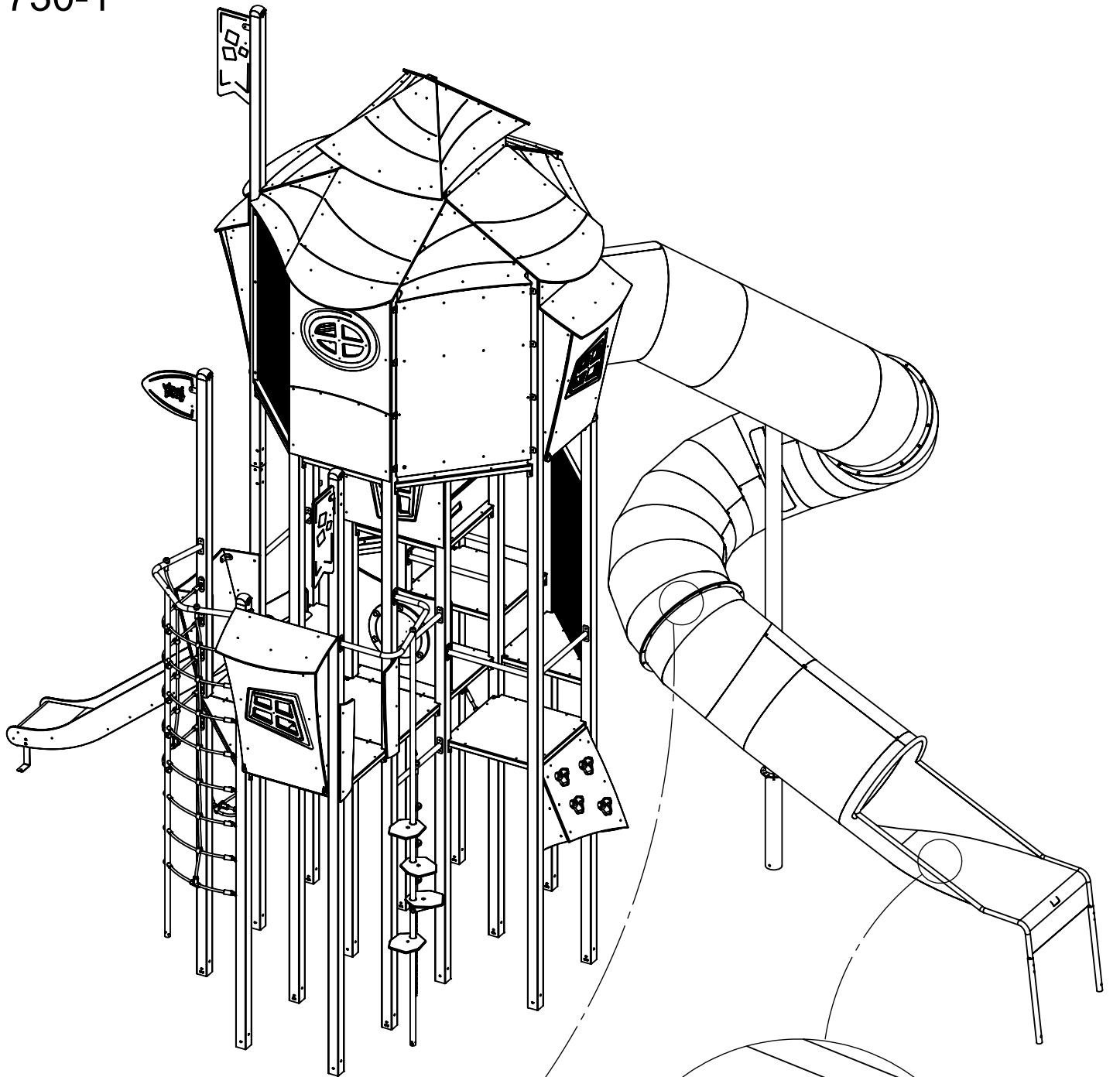


[cm]

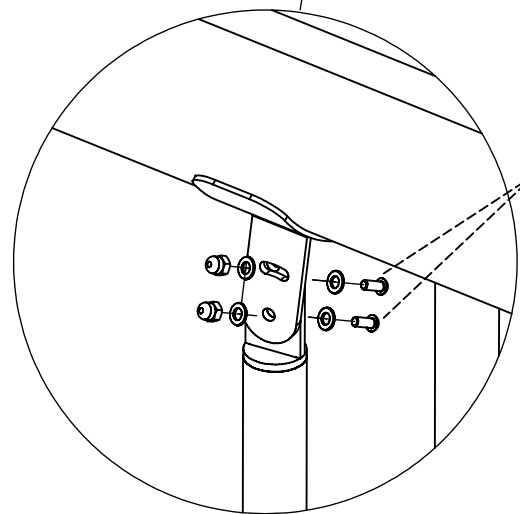
1730-1



1730-1



1x 17e021

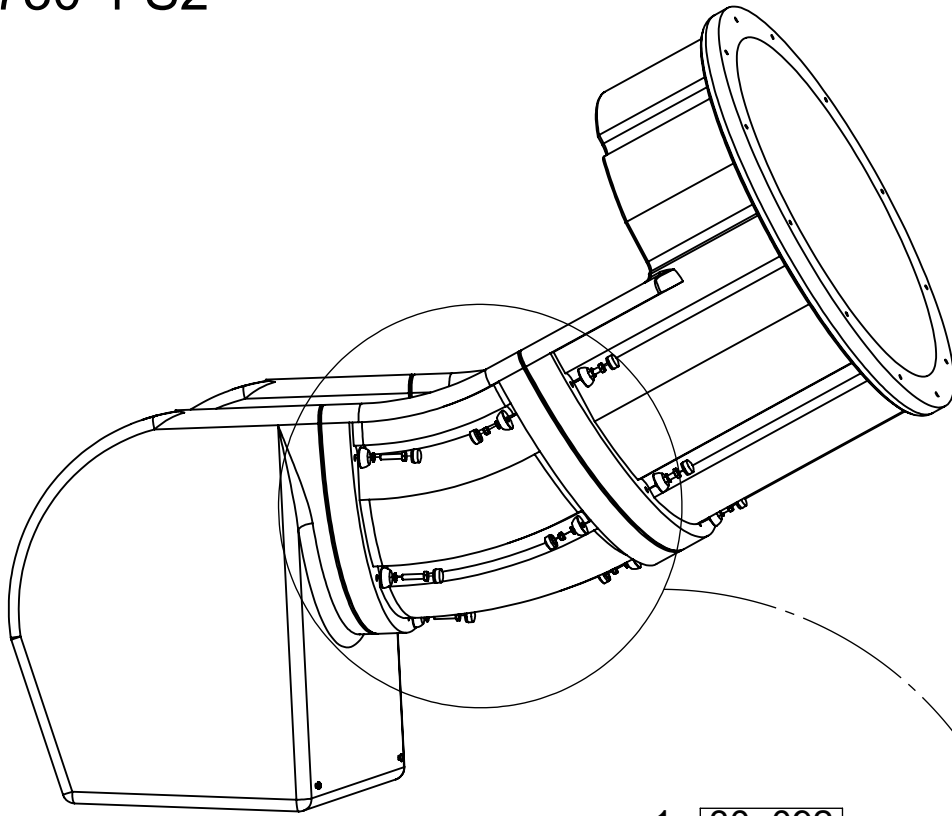


1x 17e010

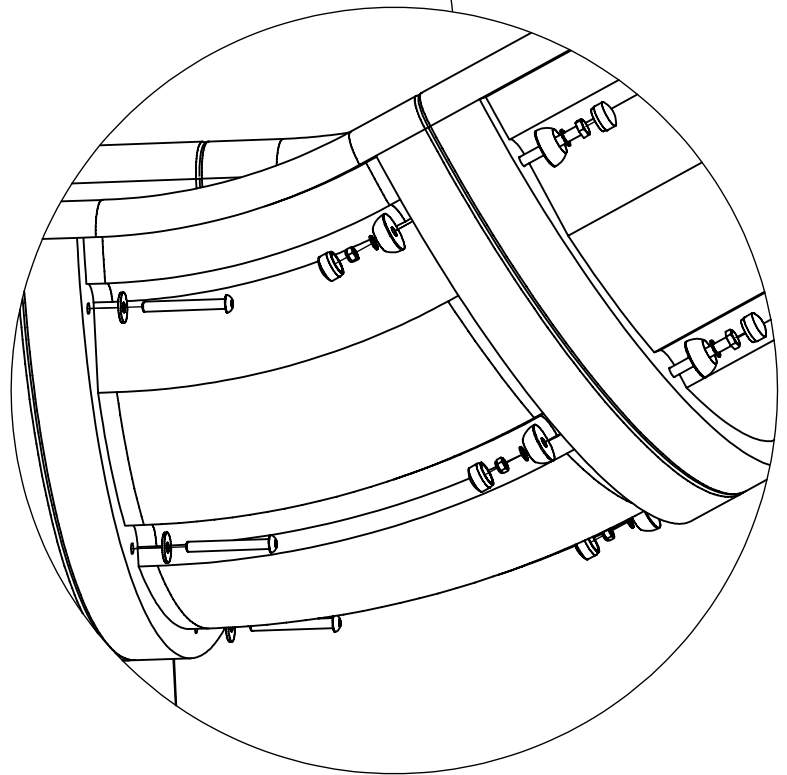
[cm]

vinci
play

1730-1 S2



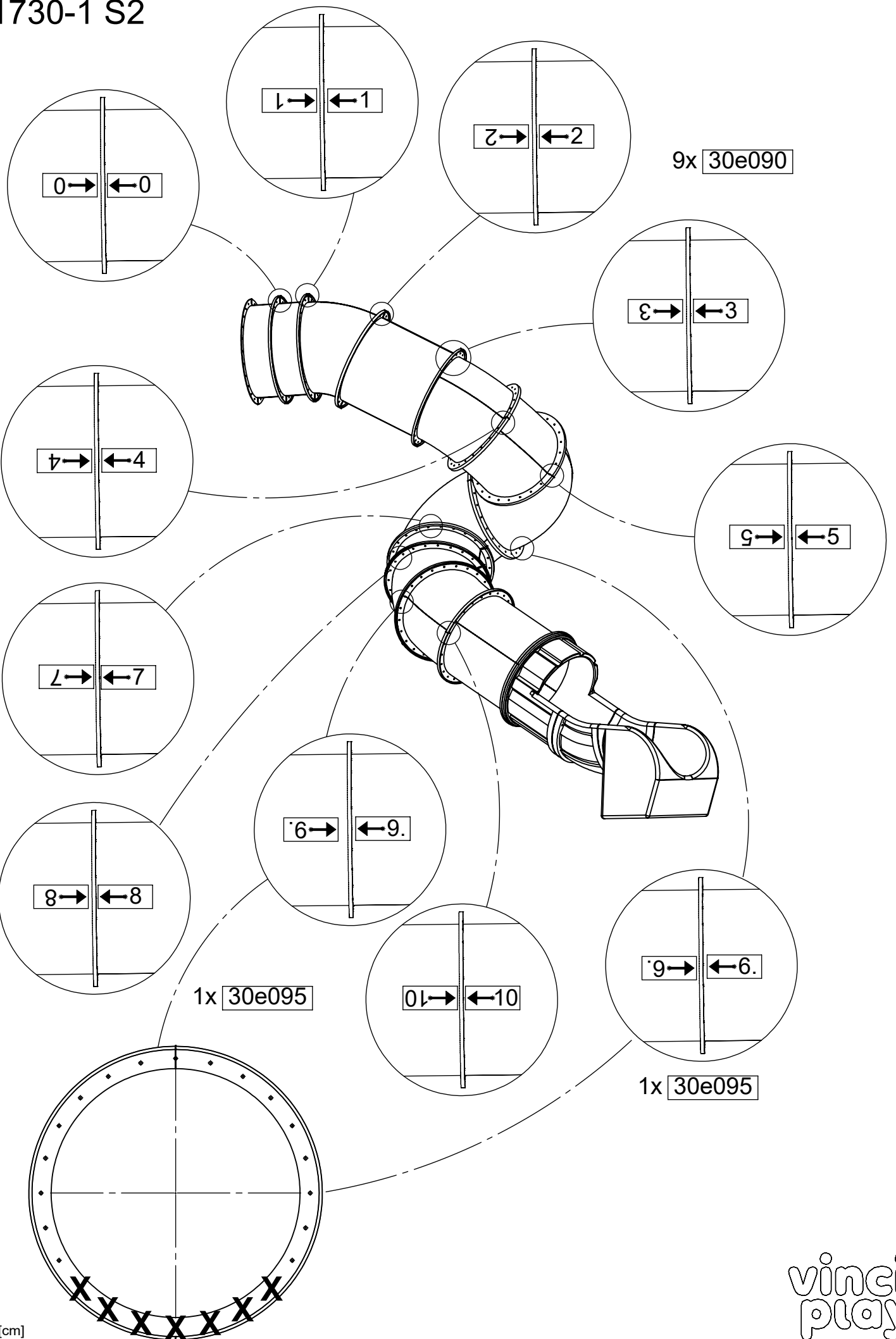
1x 30e092



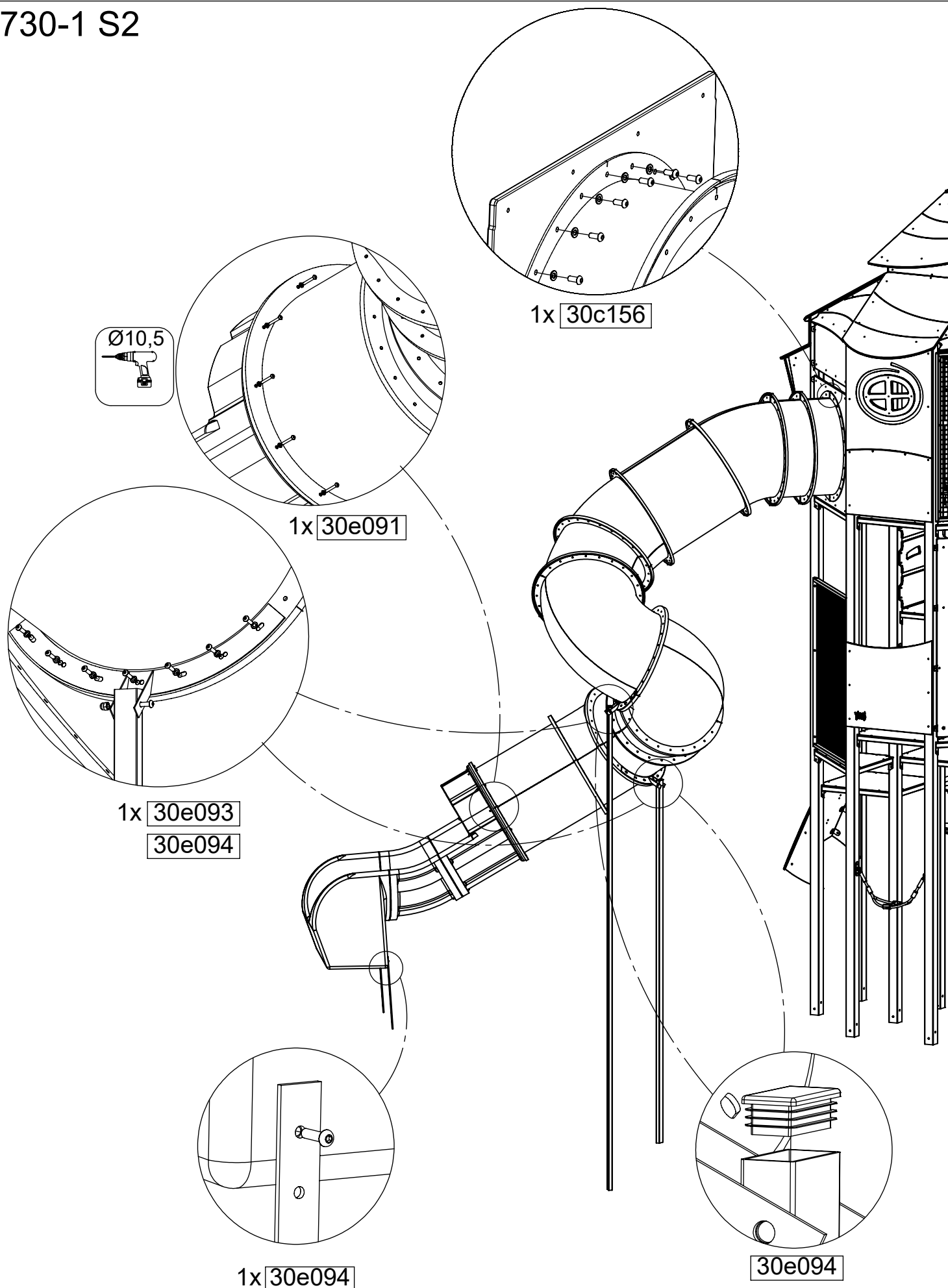
[cm]

vinci
play

1730-1 S2

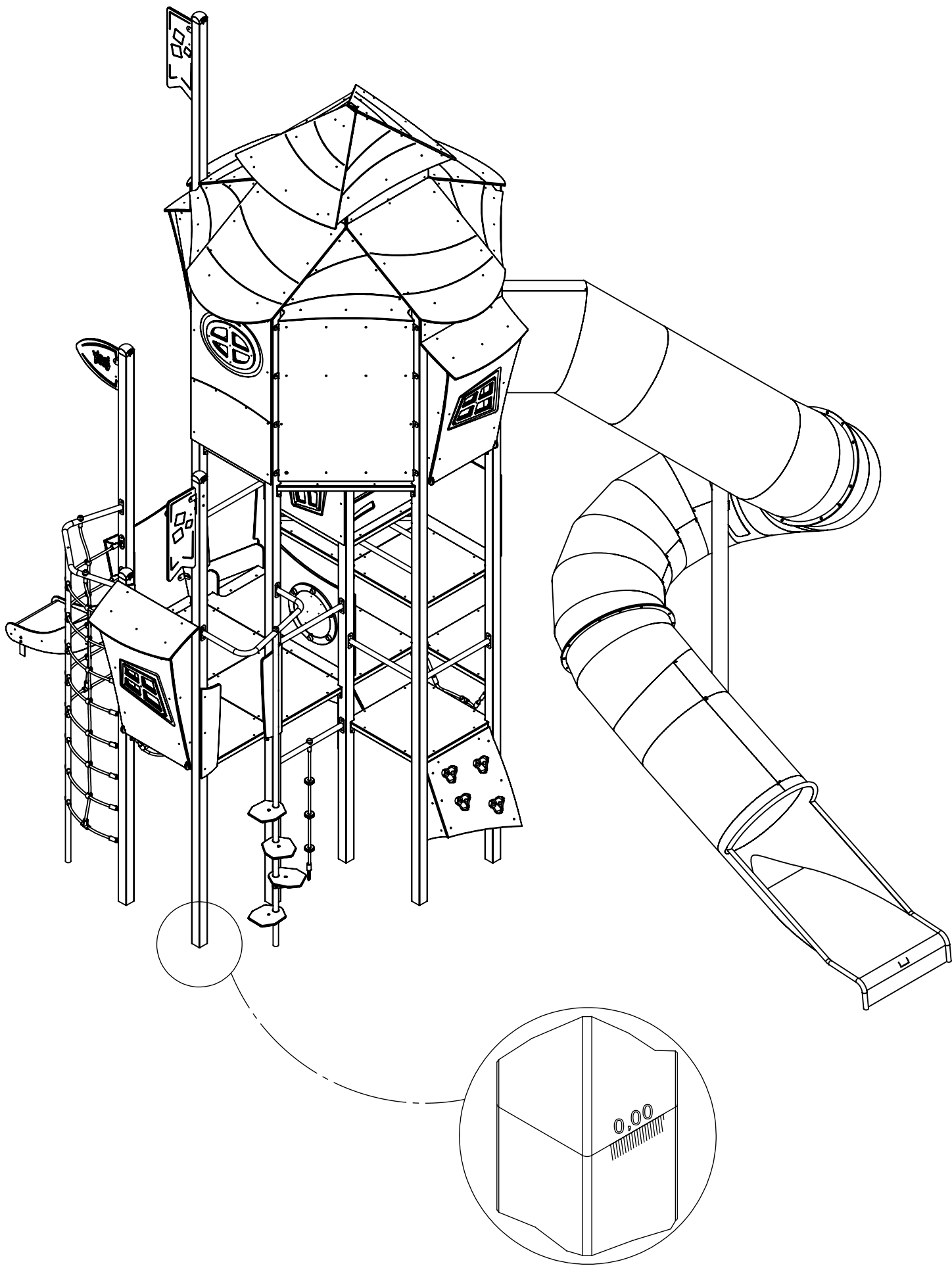


1730-1 S2



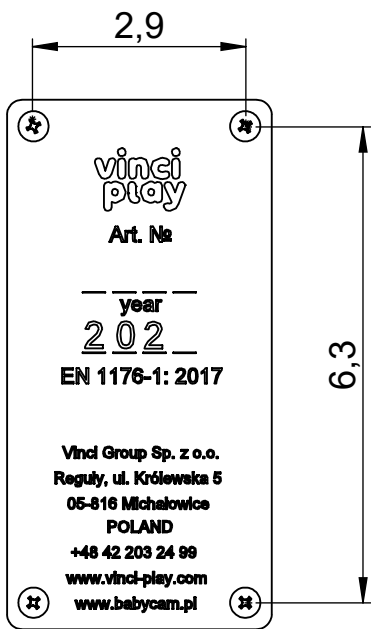
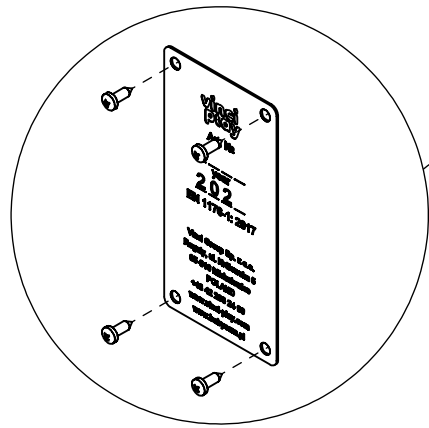
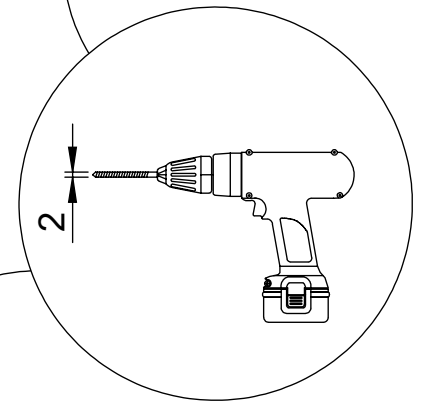
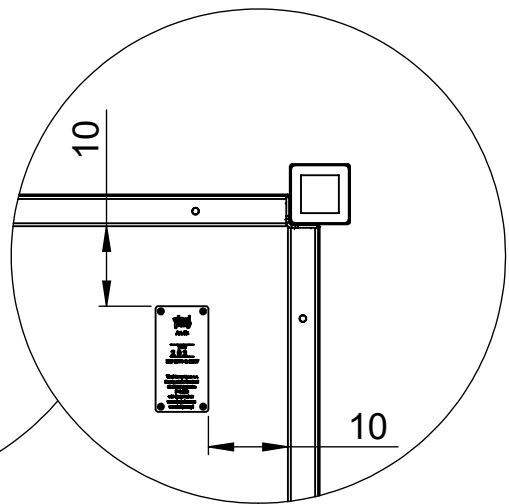
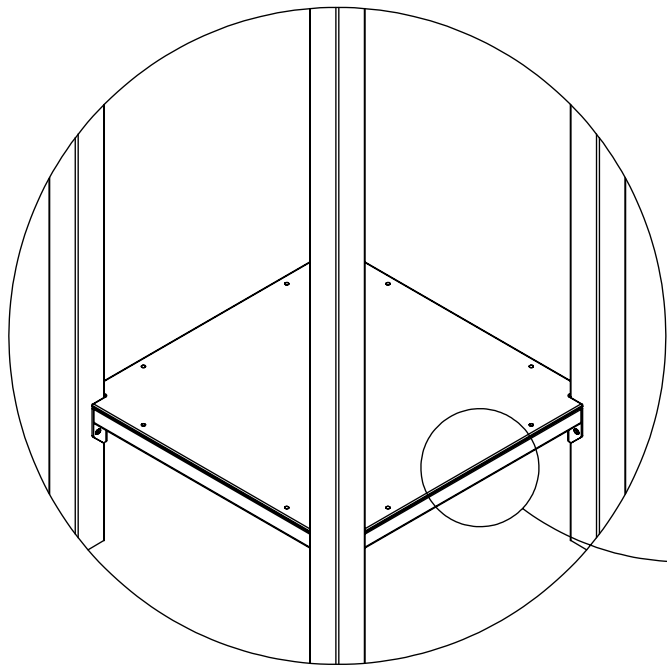
[cm]

vinci
play

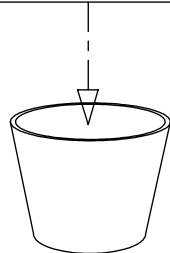
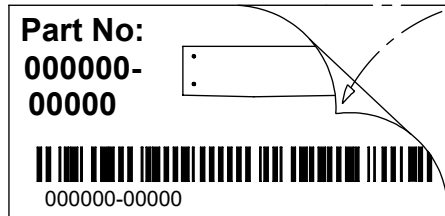


[cm]

vinci
play



V001



[cm]

vinci
play