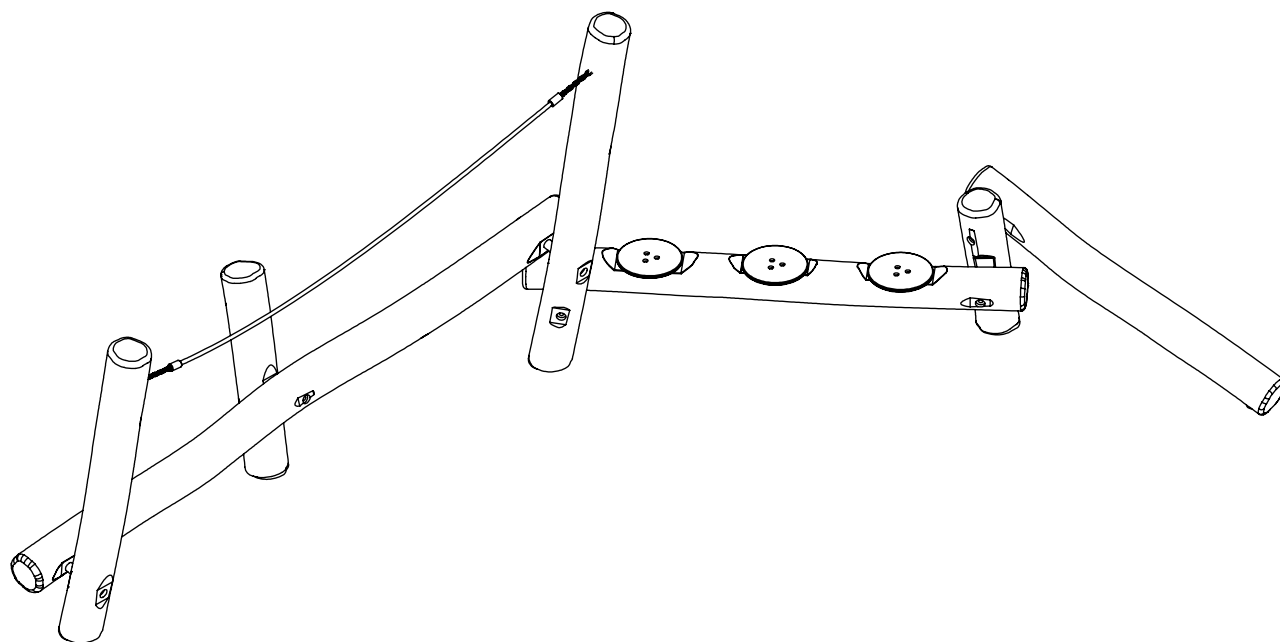
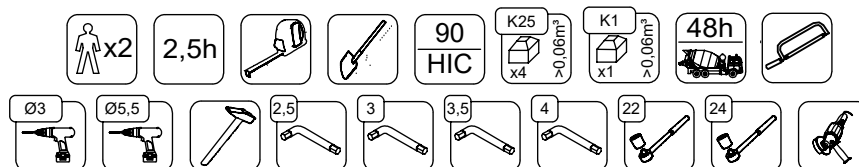


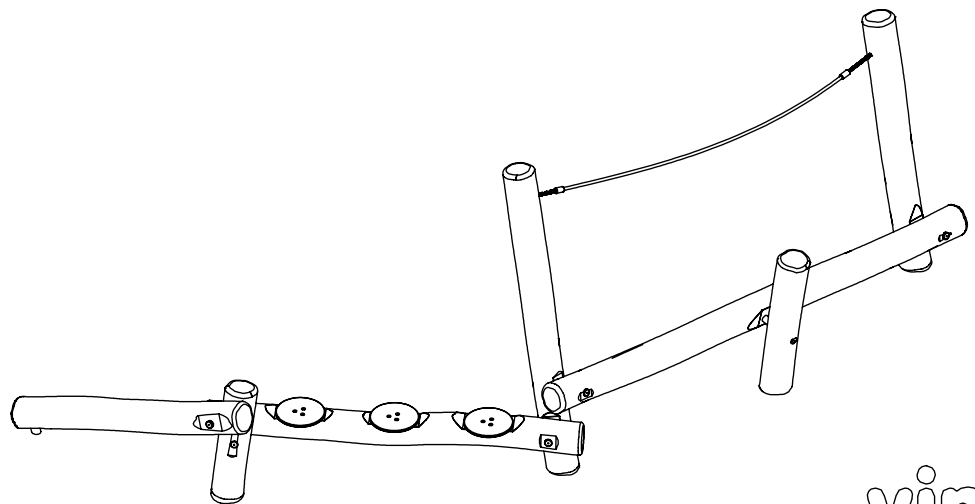
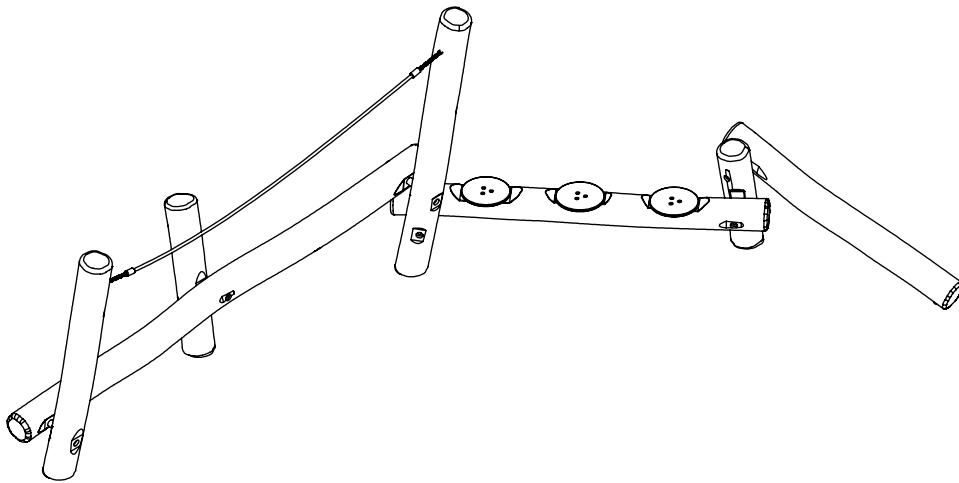
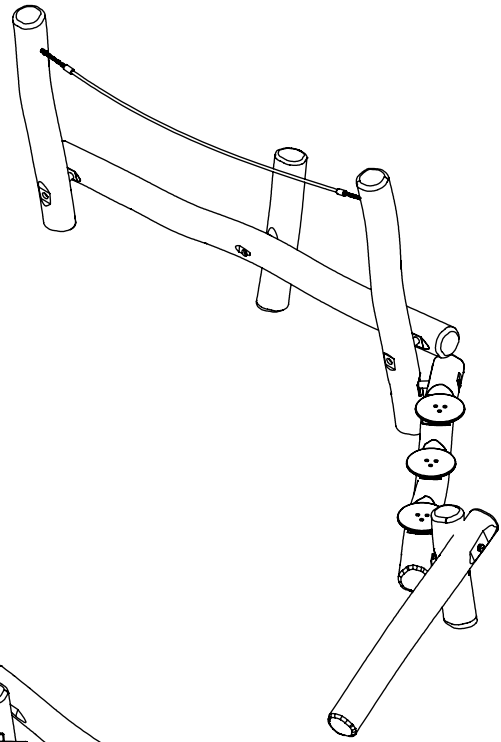
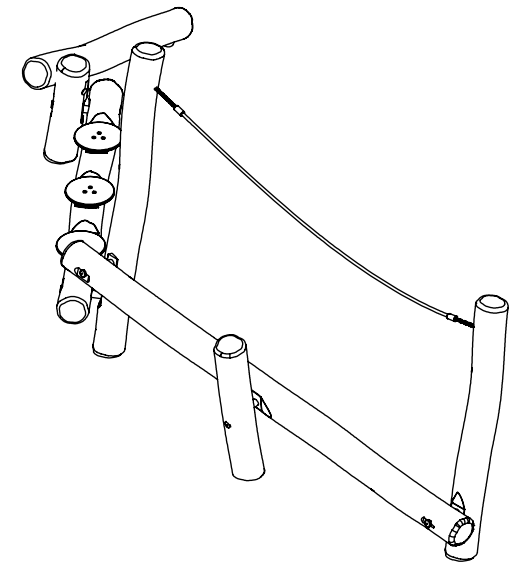
# RB1273



v010  
24.05.2021  
A. P.  
[cm]

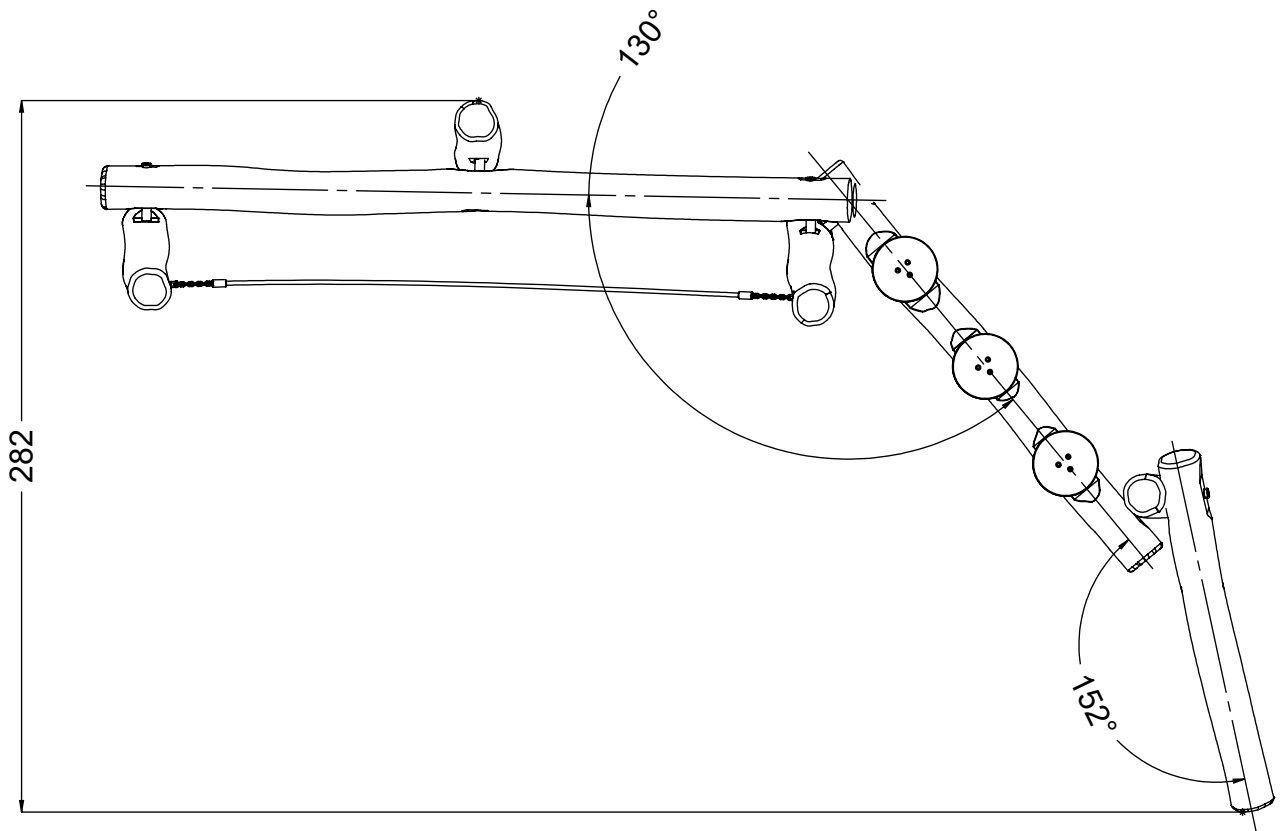
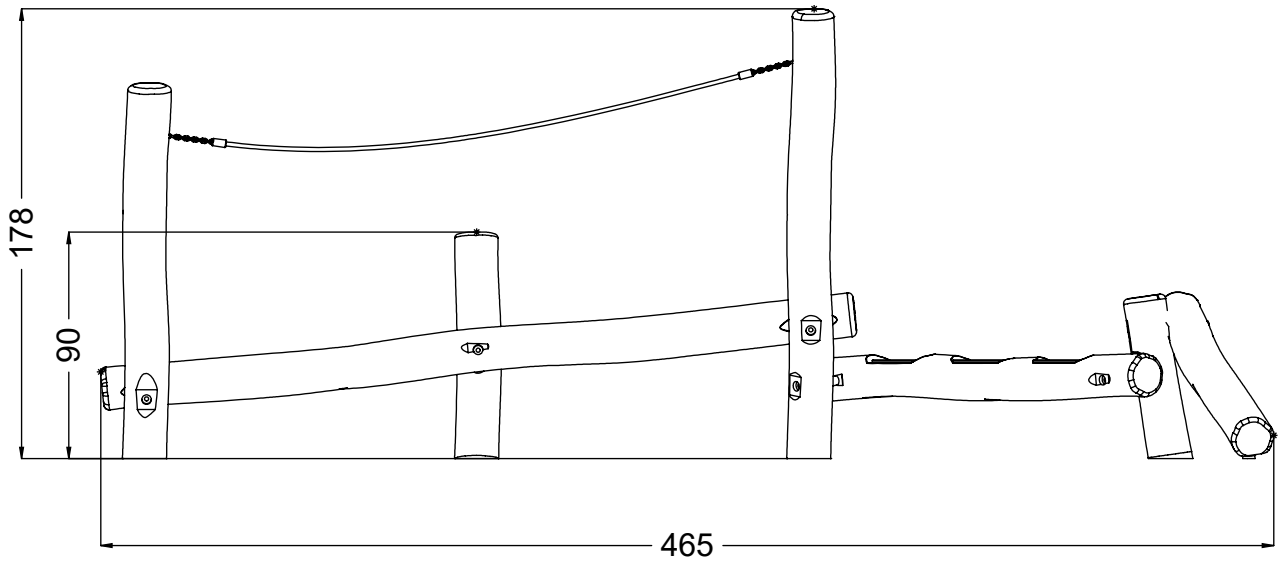


vinci  
play



[cm]

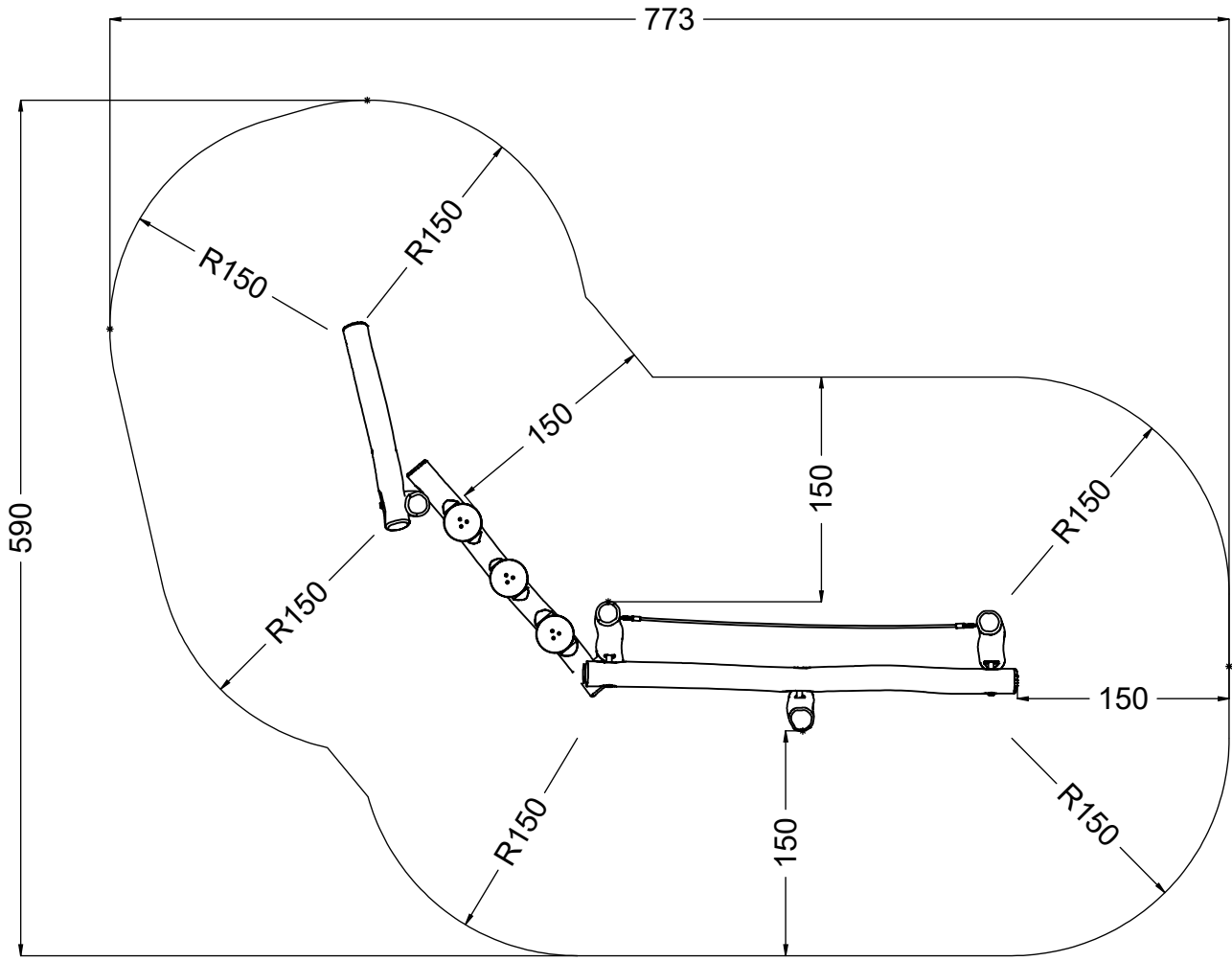
vinci  
play



[cm]



vinci  
play

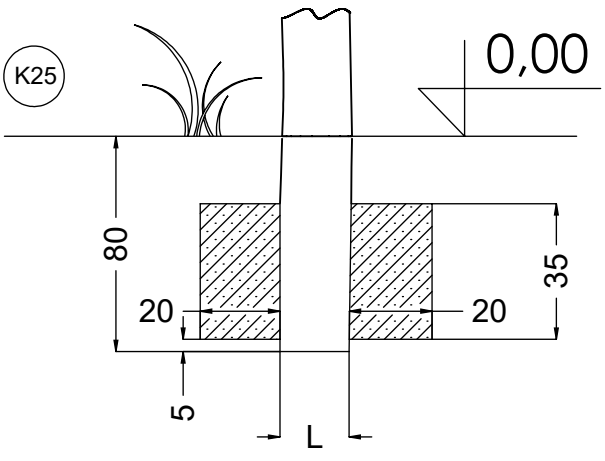


[cm]

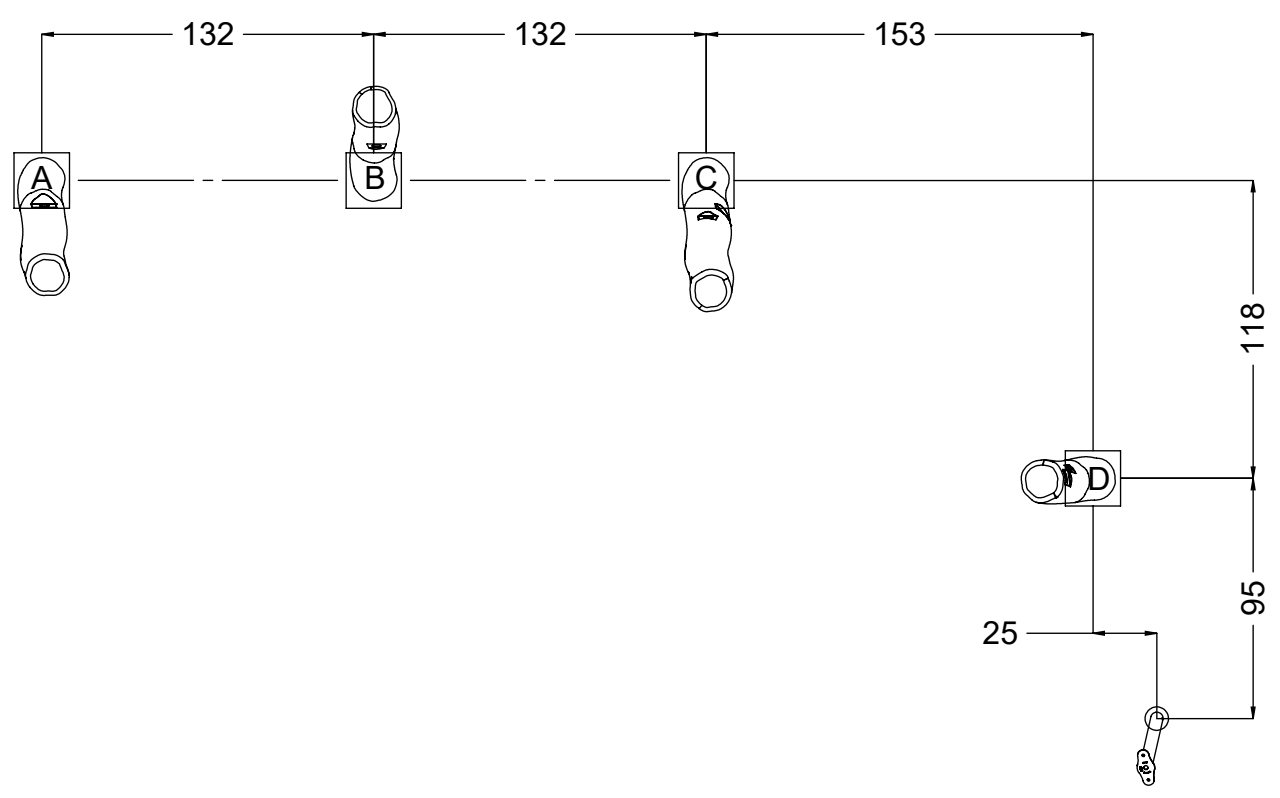
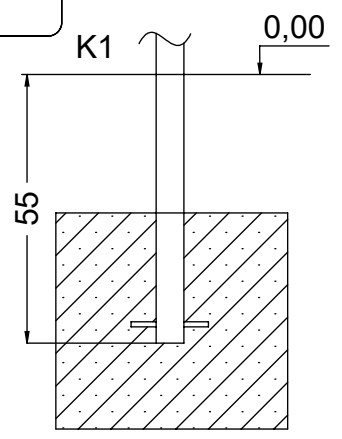
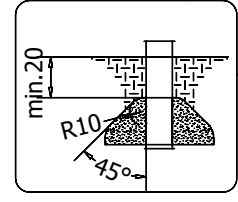
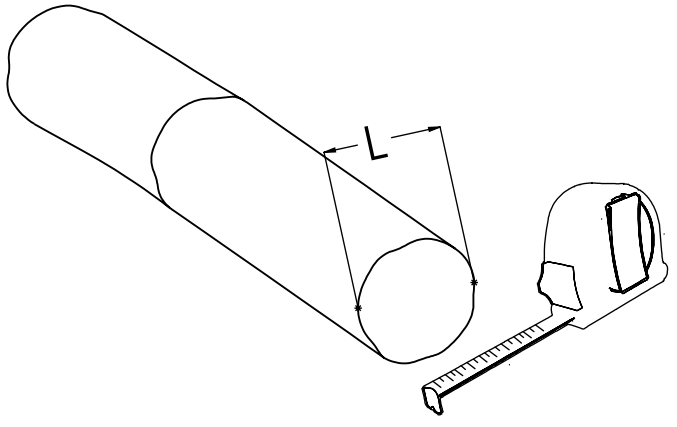
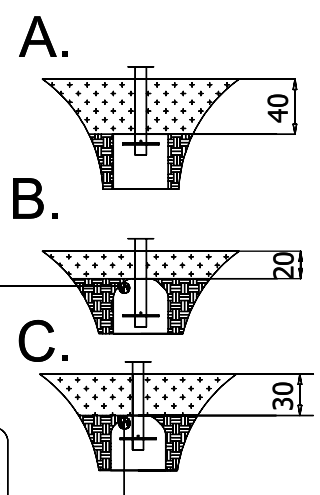


vinci  
play

K25



48h



[cm]

x2  
 2,5h  
  
  
 48h  
 K25 x4 >0,06m³  
 K1 x1 >0,06m³

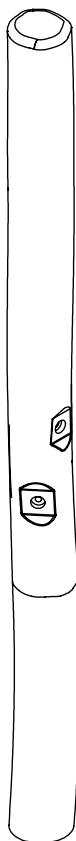
vinci  
play



127121 (A)  
x1



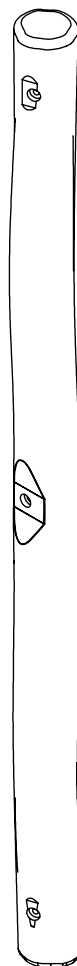
127117 (B)  
x1



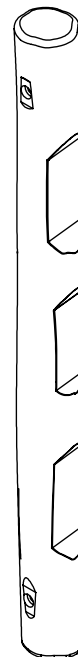
127120 (C)  
x1



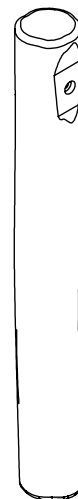
125122 (D)  
x1



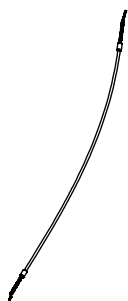
127118  
x1



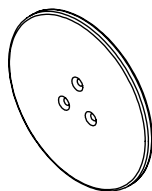
127119  
x1



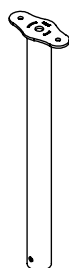
125123  
x1



125102  
x1

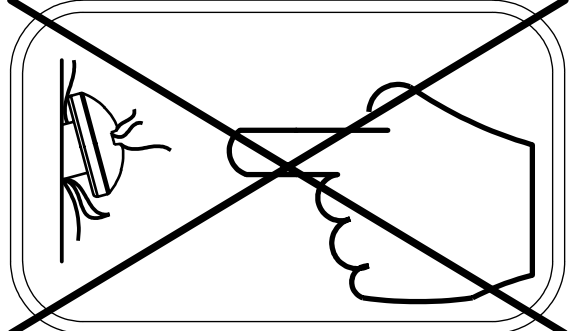
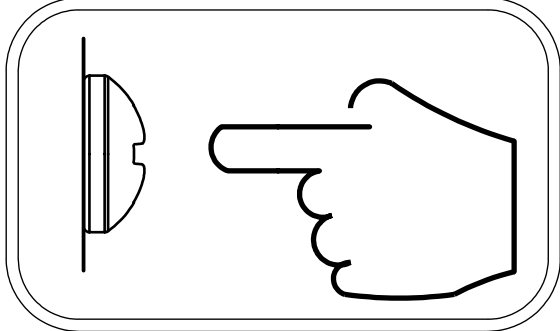
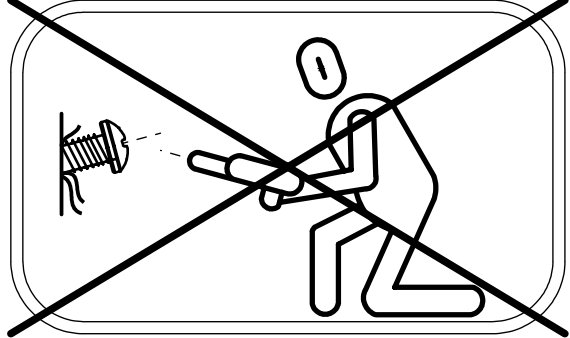


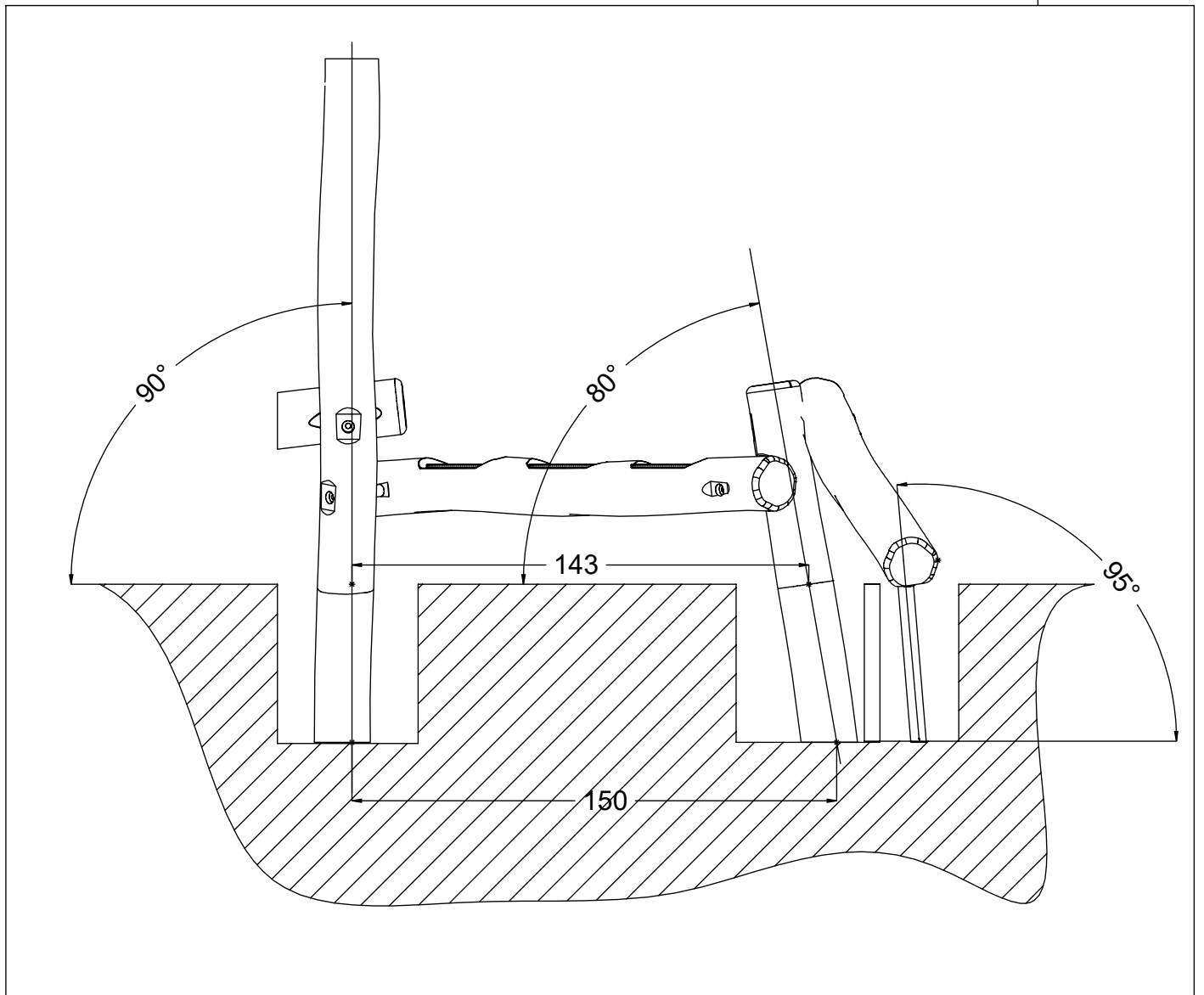
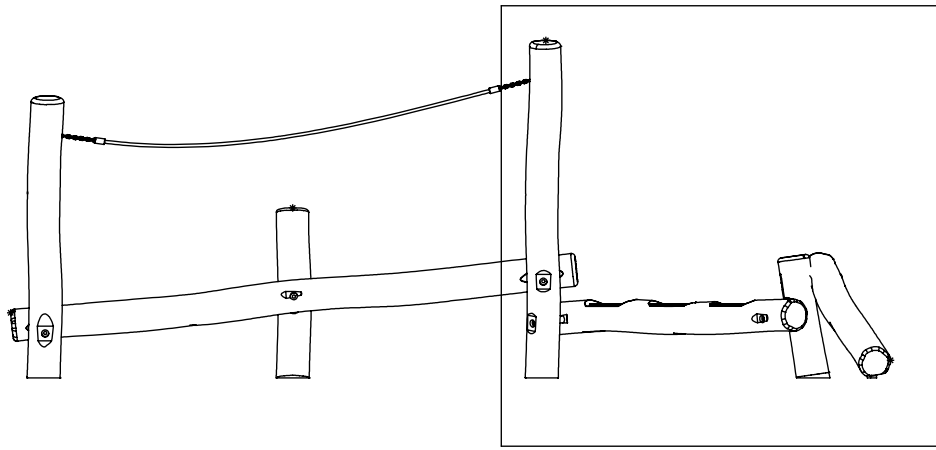
121103  
x3



082112  
x1

1x	12e007
3x	12e022
2x	8x50sxi
9x	8x80sxt
1x	V001



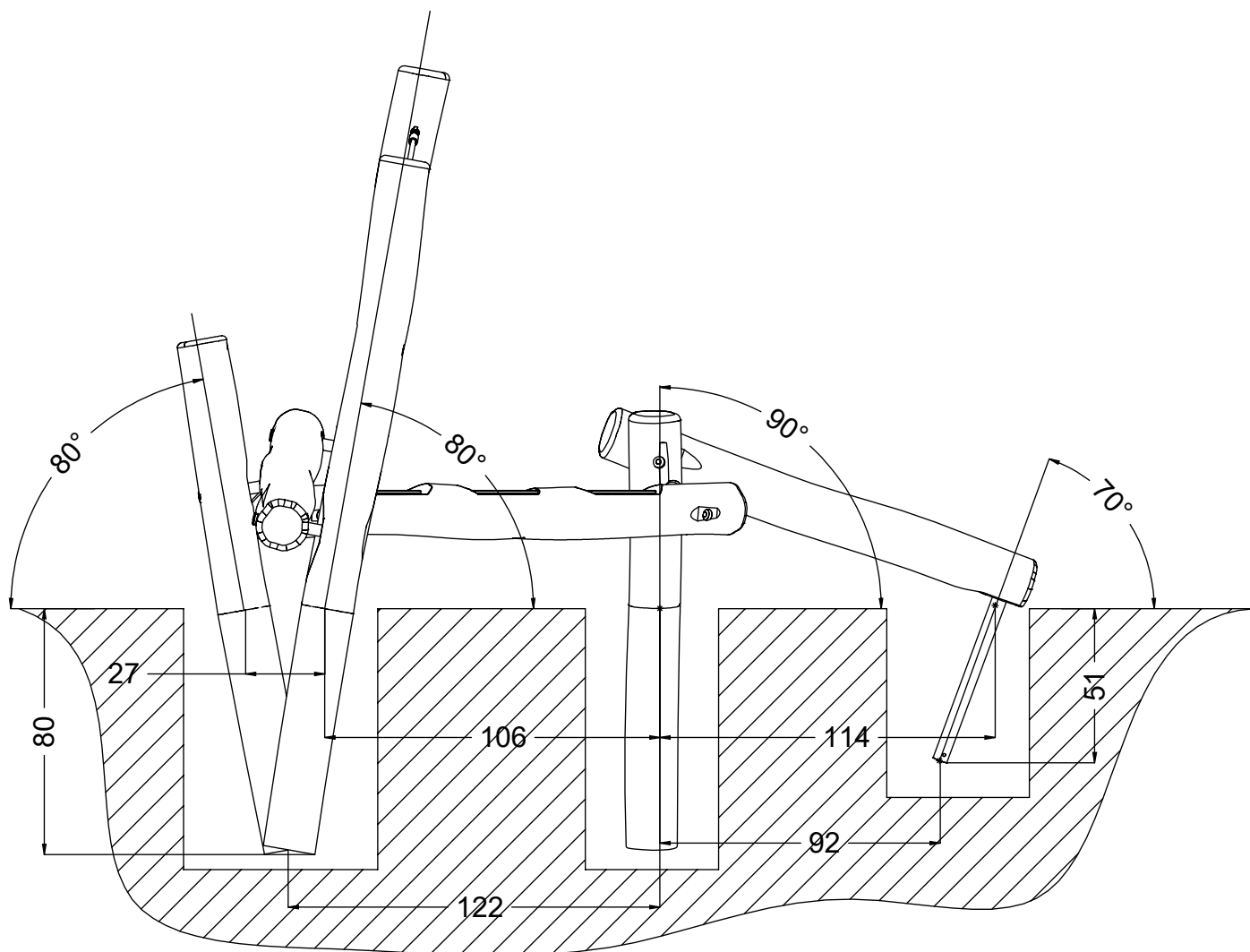


[cm]



vinci  
play

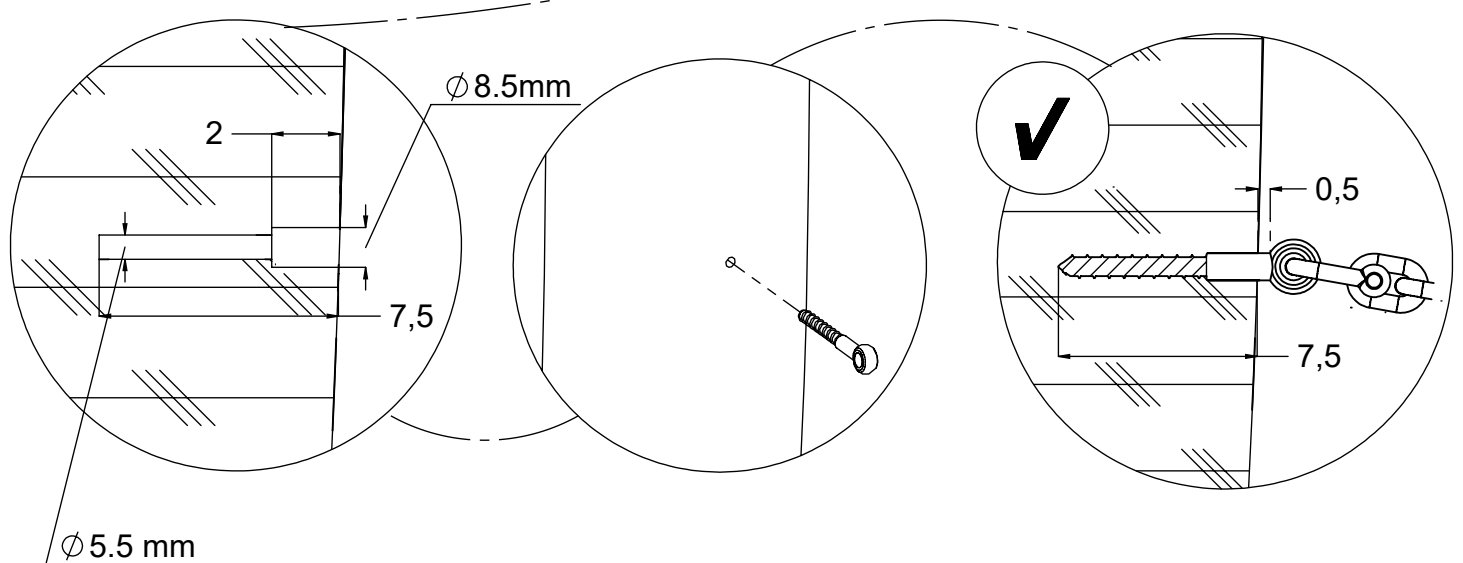
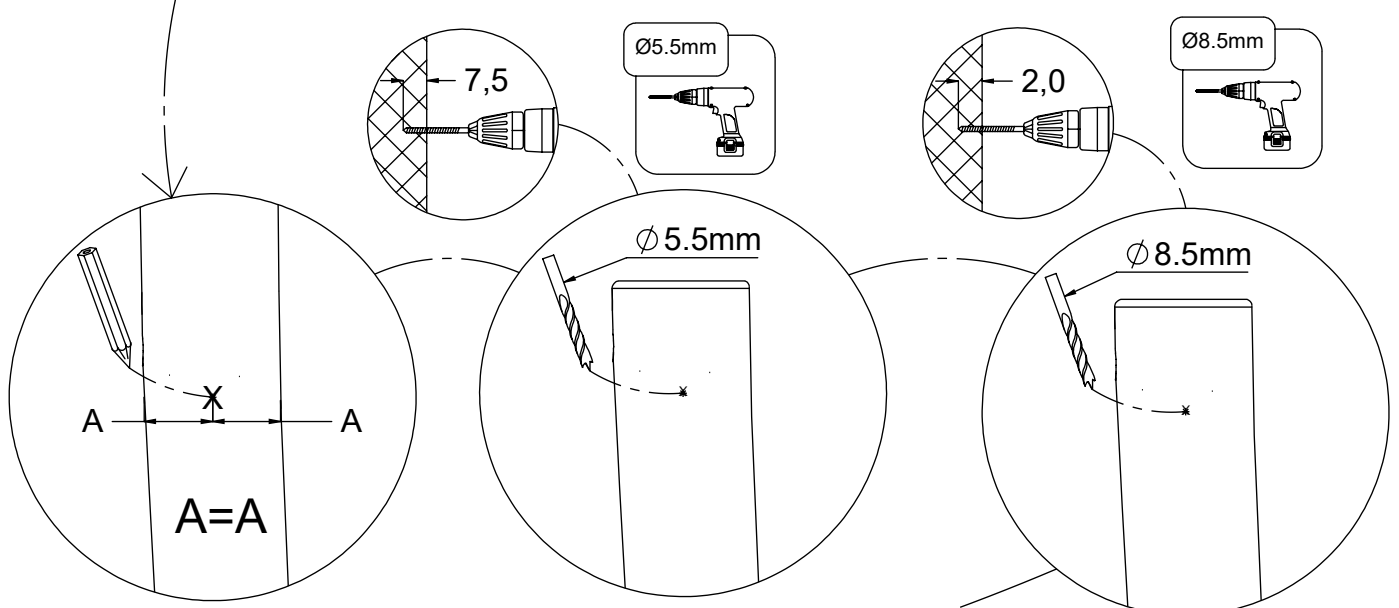
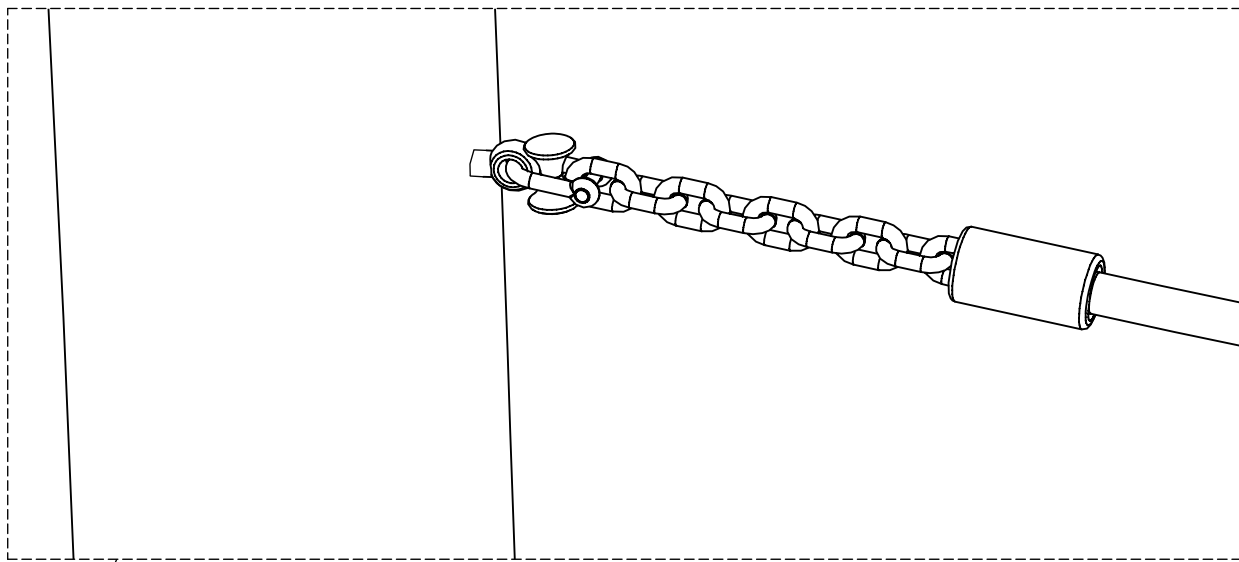




[cm]



vinci  
play



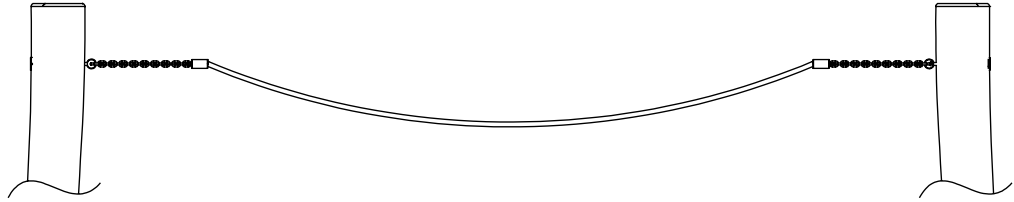
[cm]

vinci  
play

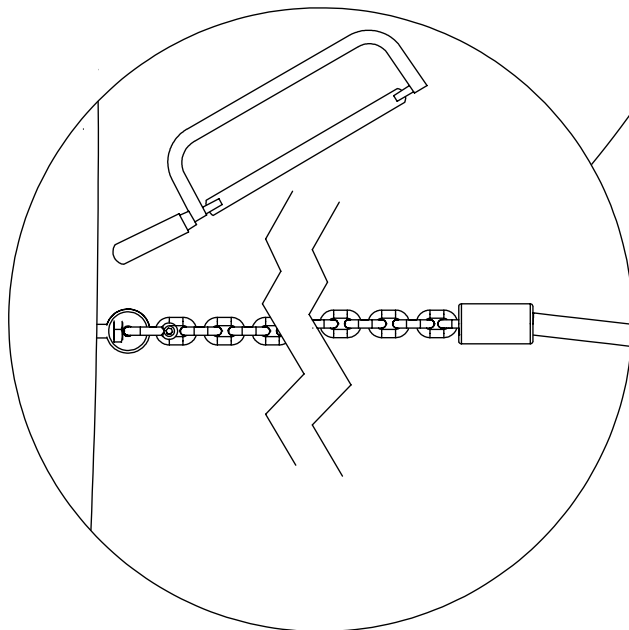
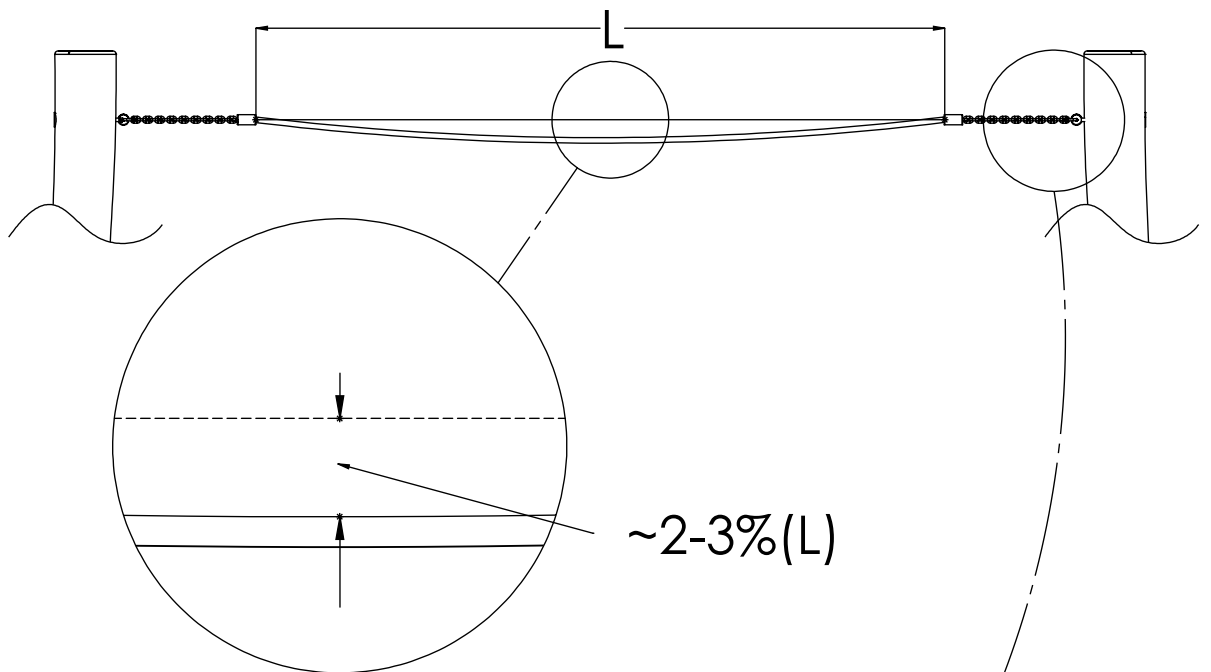
X

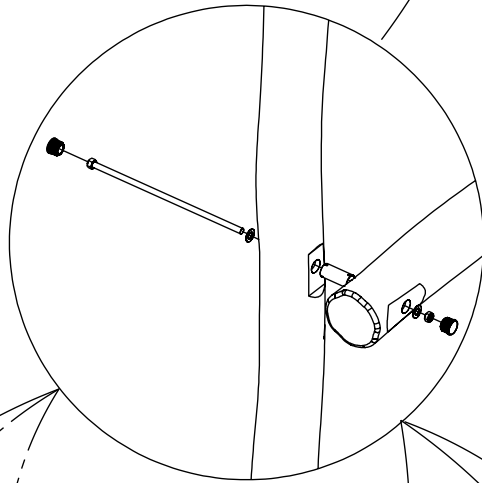
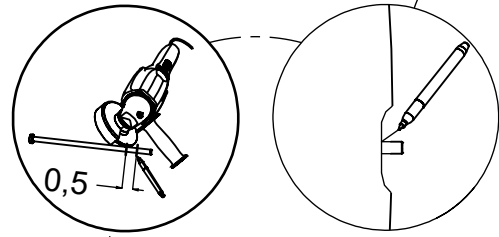
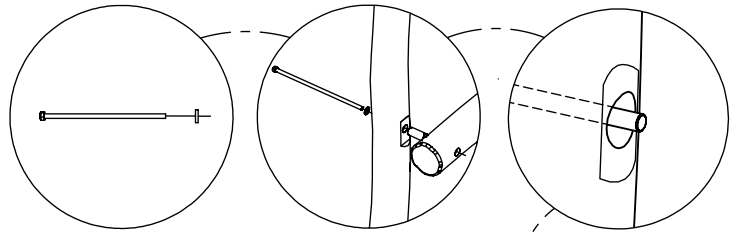
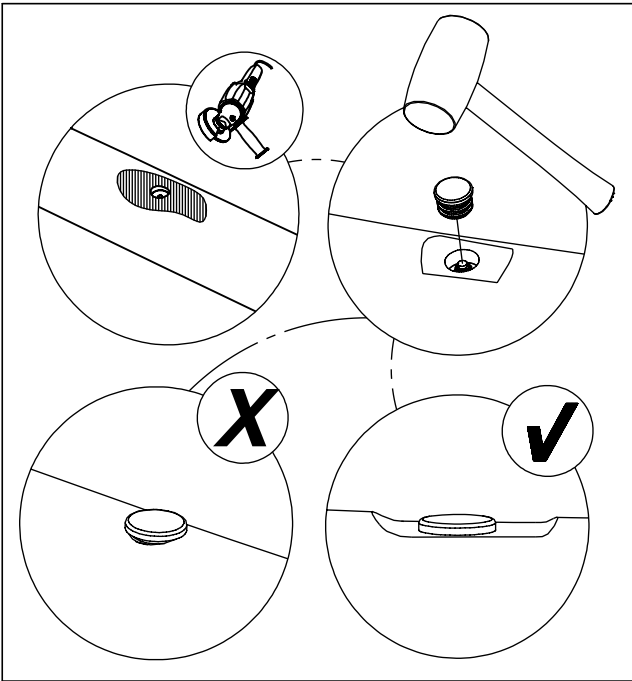


X

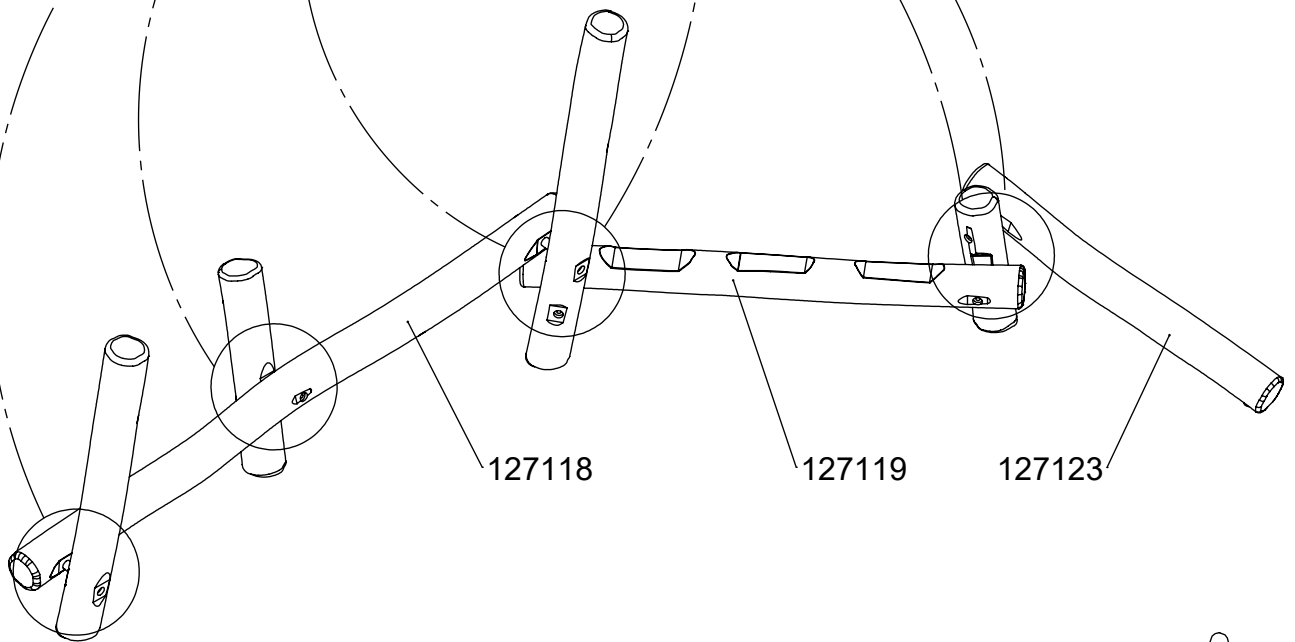


V





3x 12e022



127118

127119

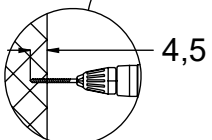
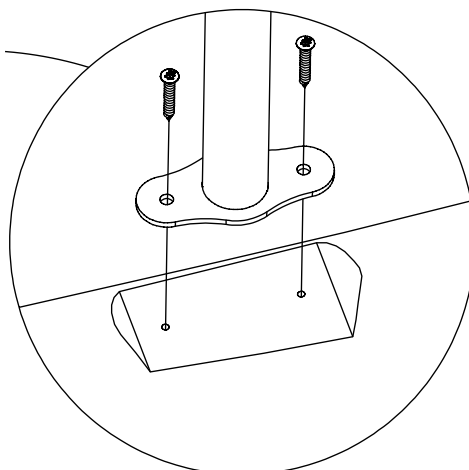
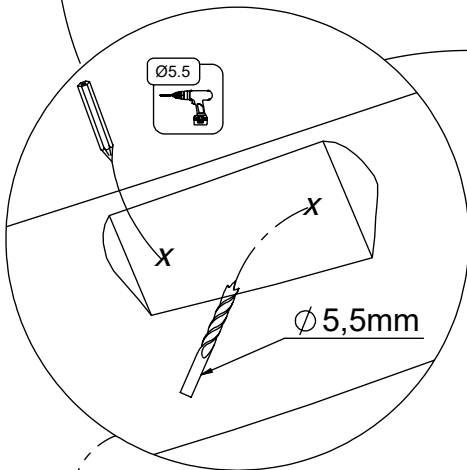
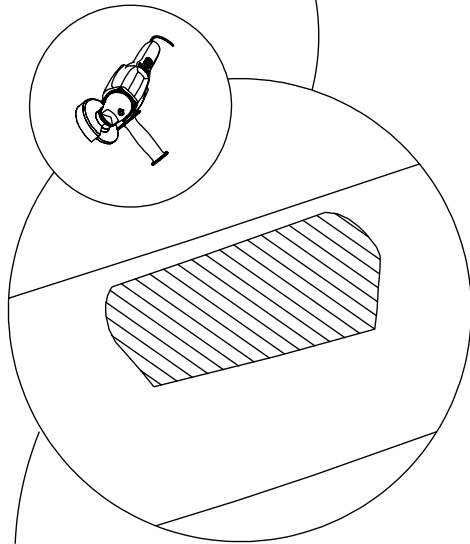
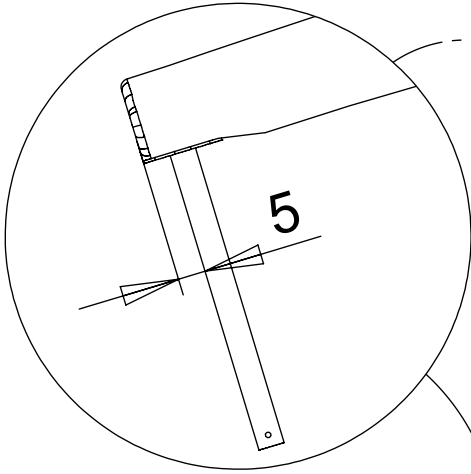
127123

[cm]

vinci  
play

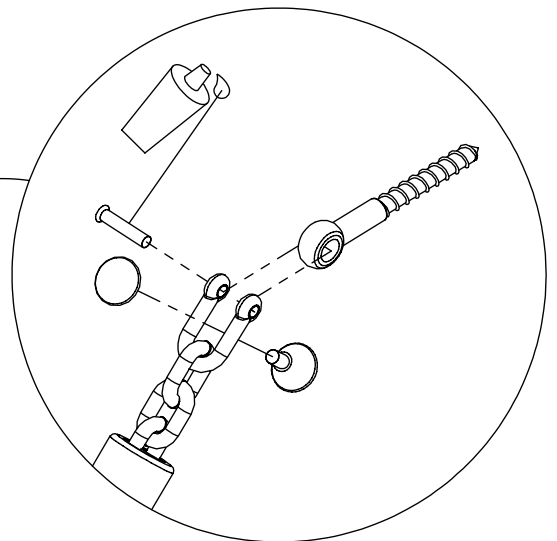
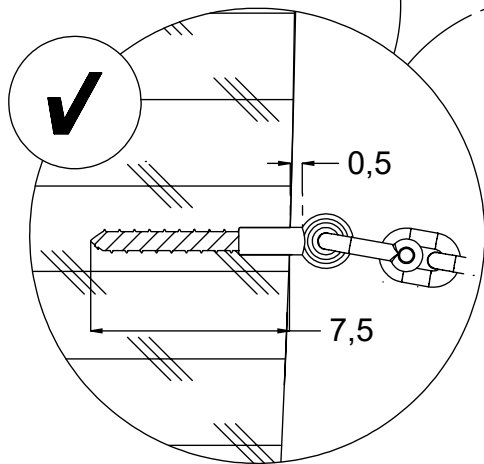
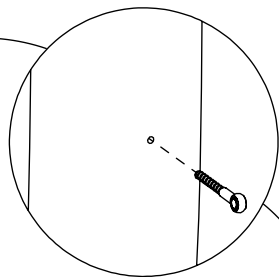
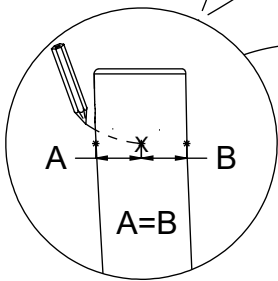
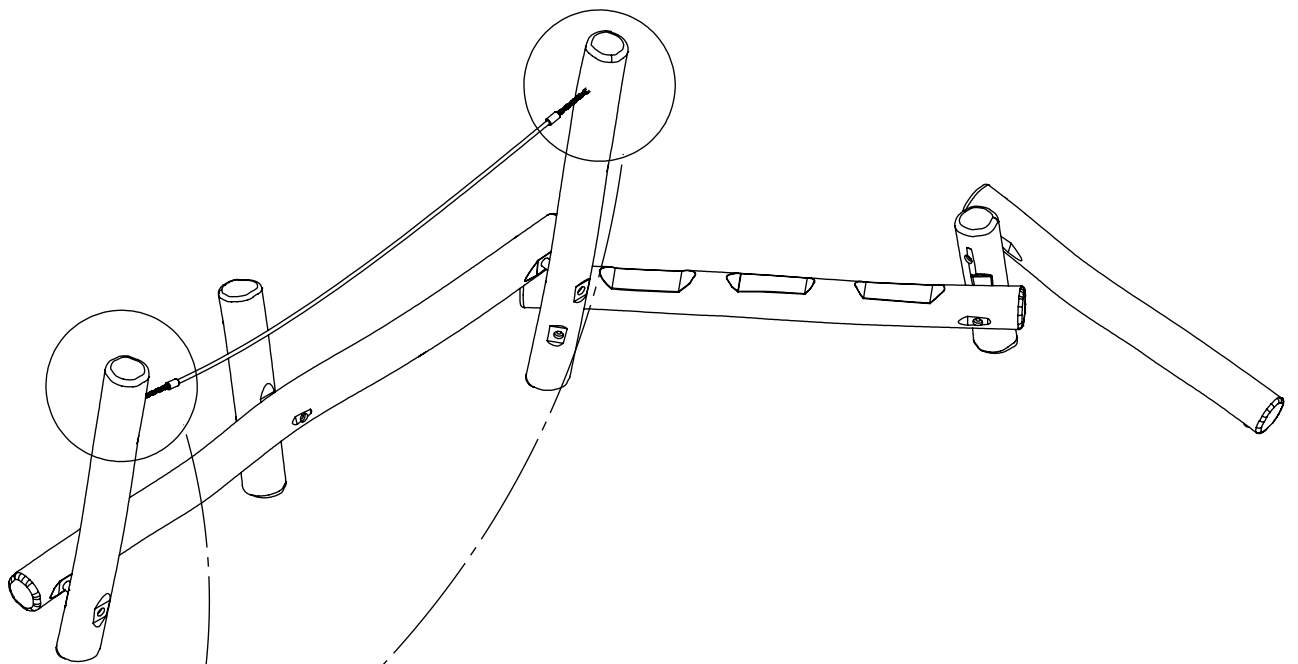
127123

082112

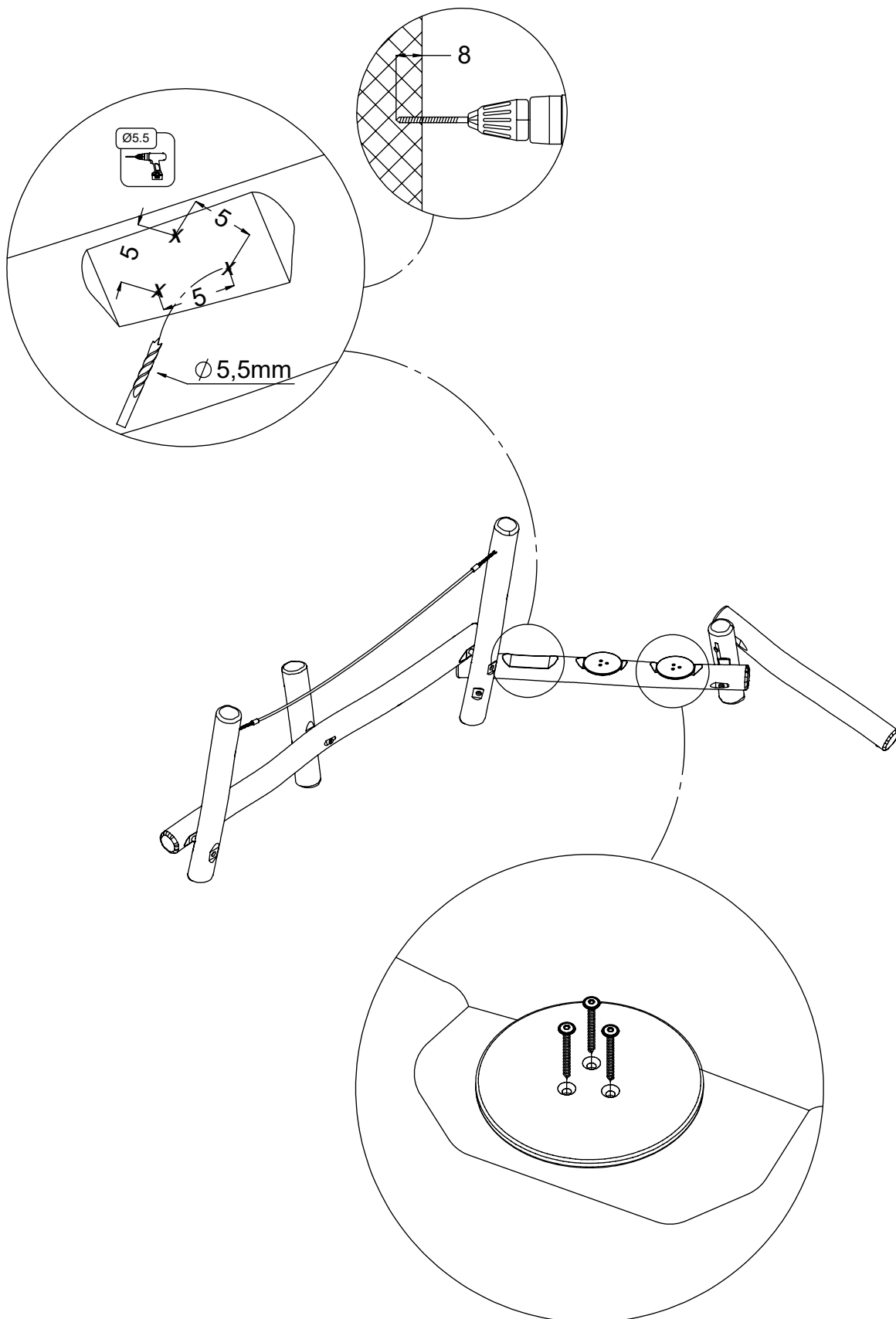


[cm]

vinci  
play



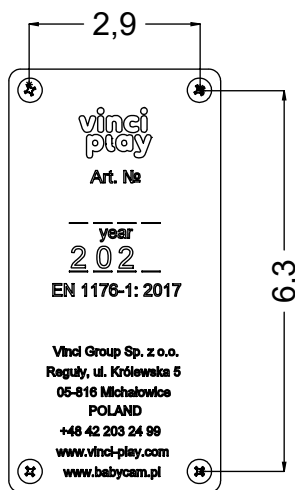
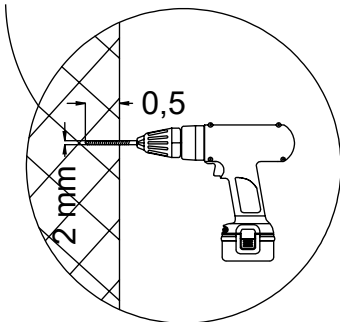
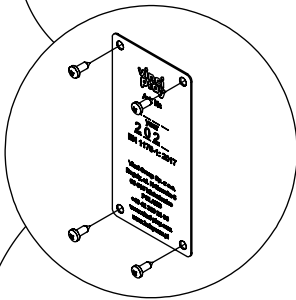
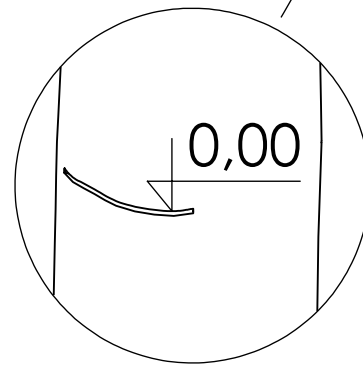
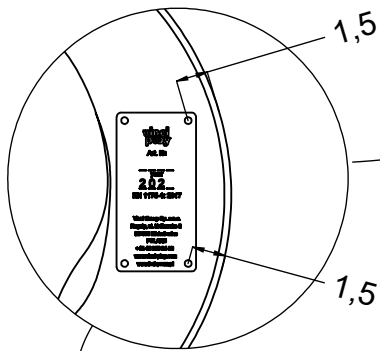
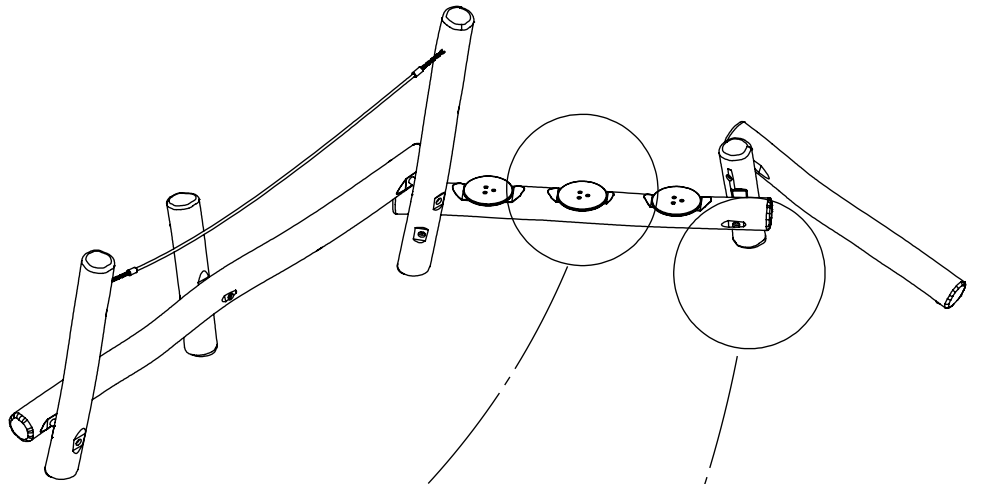
1x 12e007



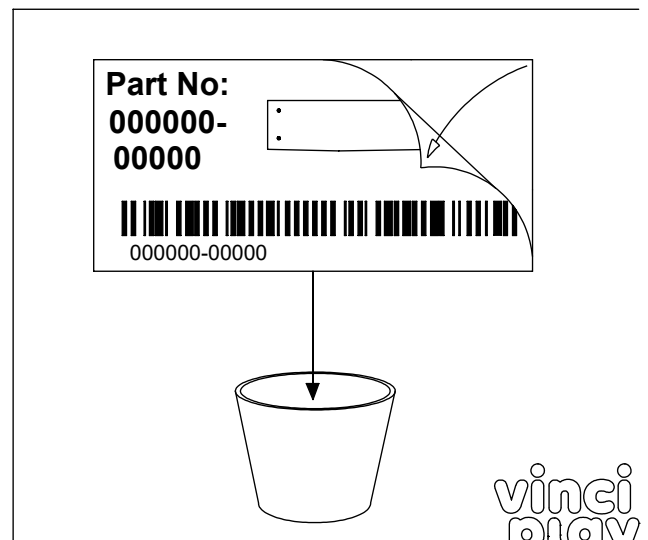
9x 8x80sxt

[cm]

vinci  
play



V001



[cm]

vinci  
play