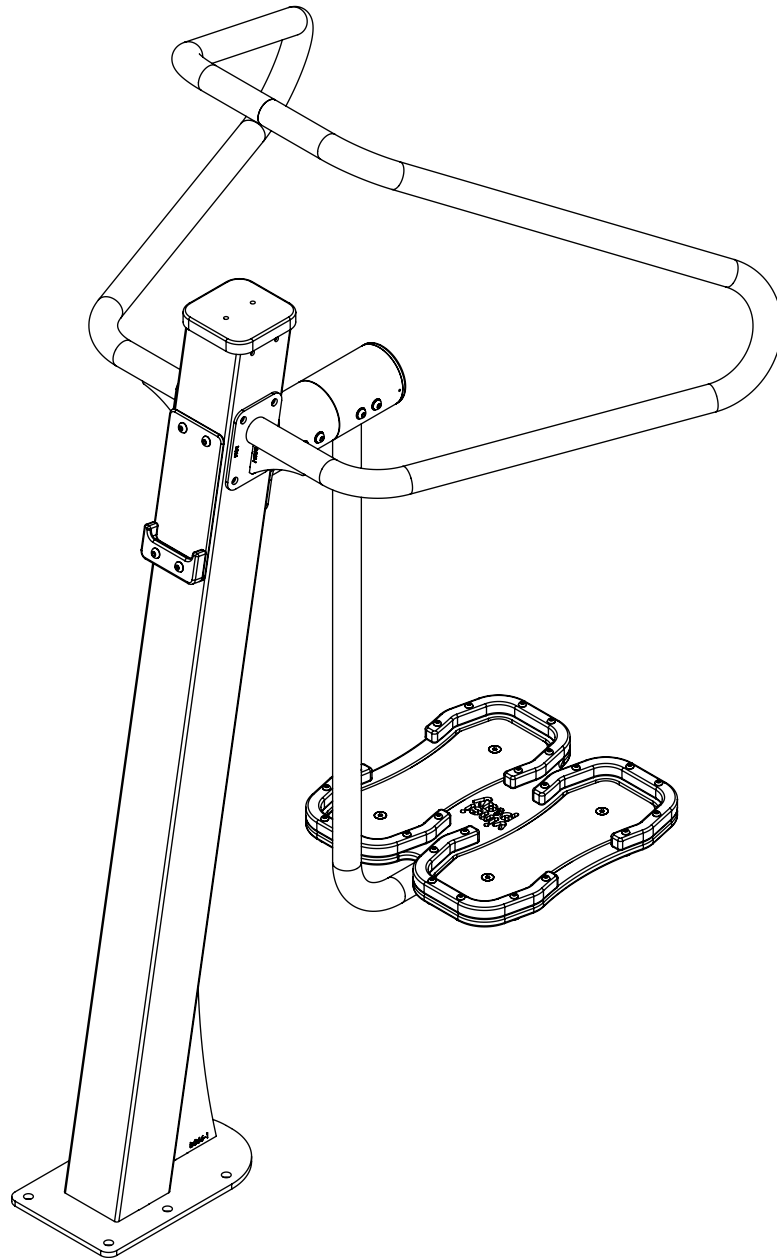
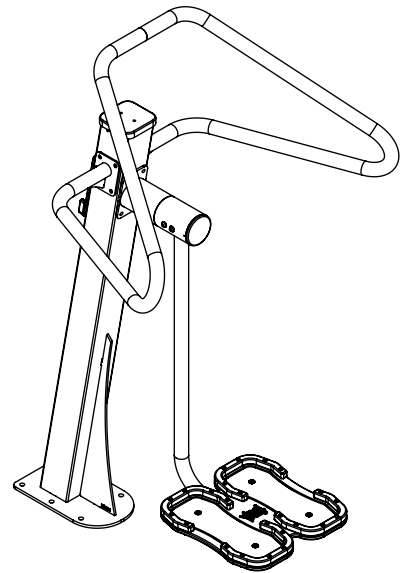
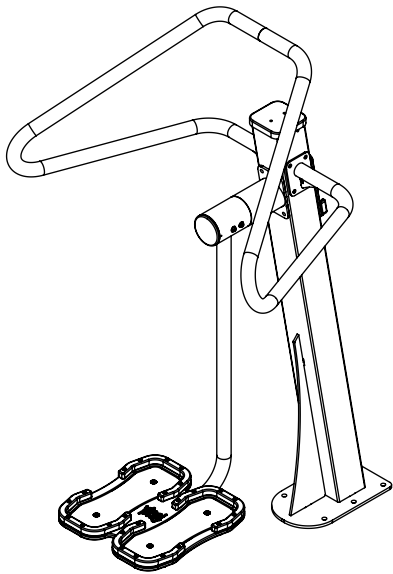
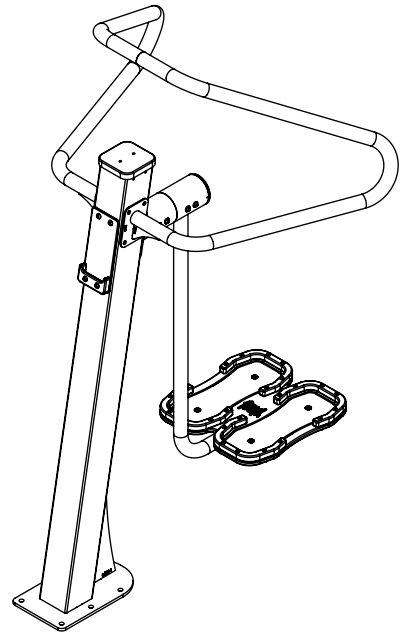
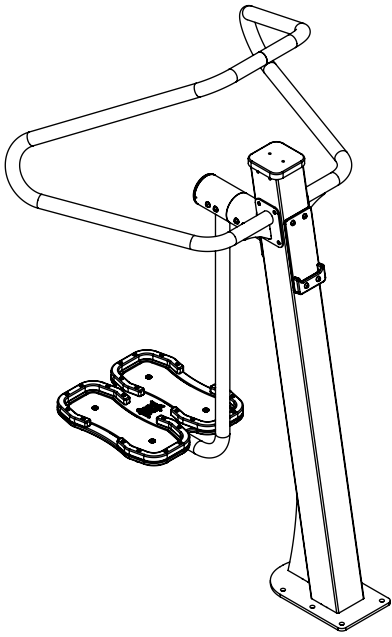


# 1107



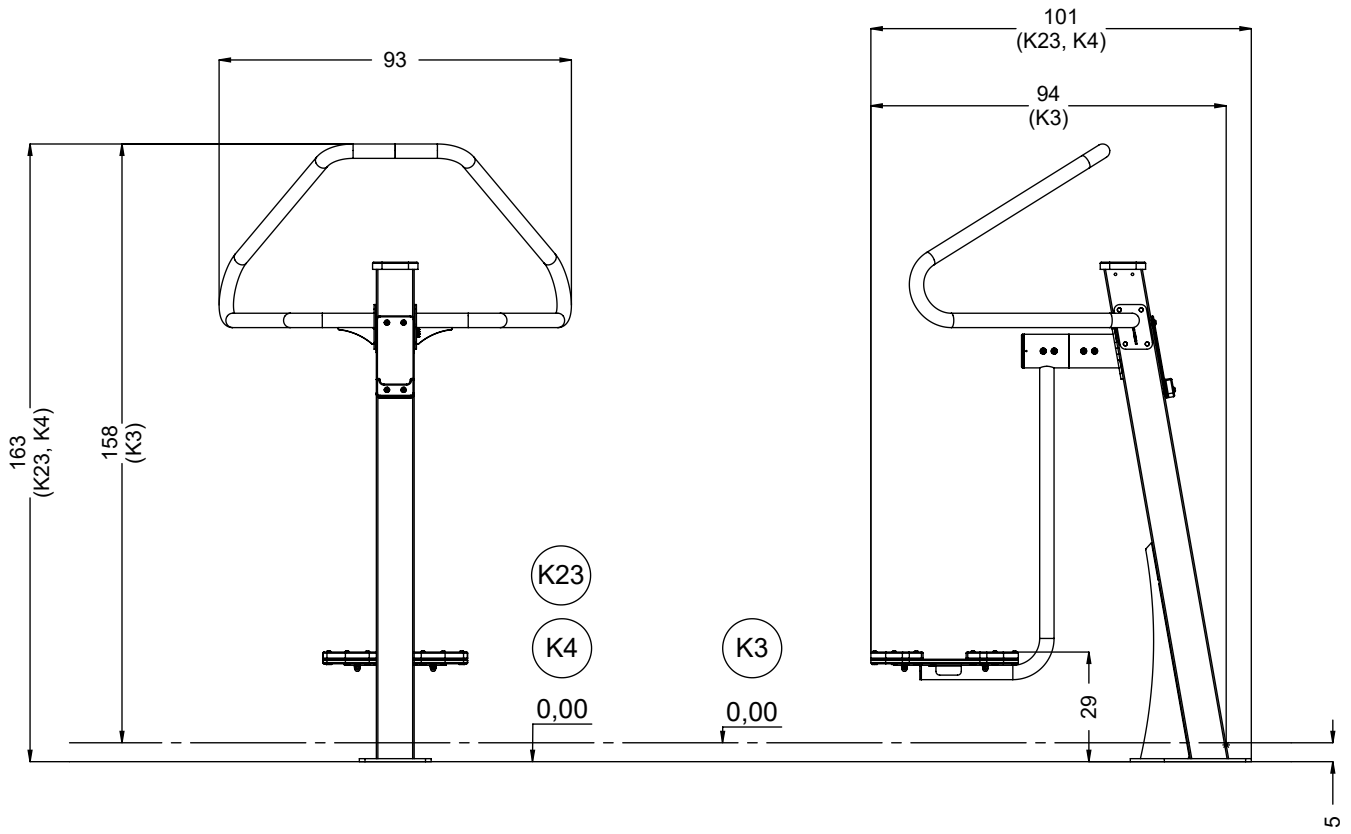
v011  
22.03.2021  
A. H.  
[cm]

vinci  
play



[cm]

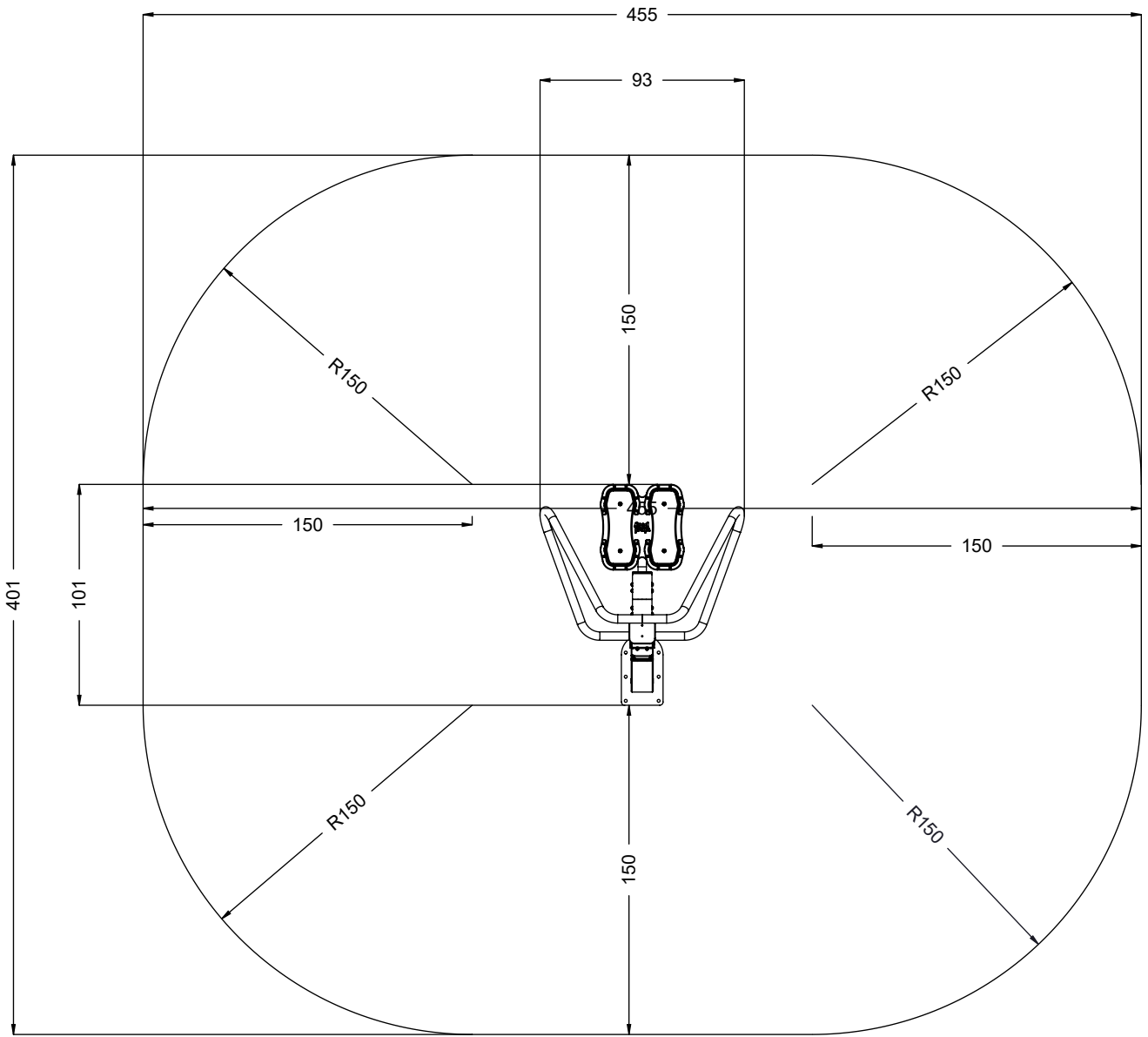
vinci  
play



[cm]



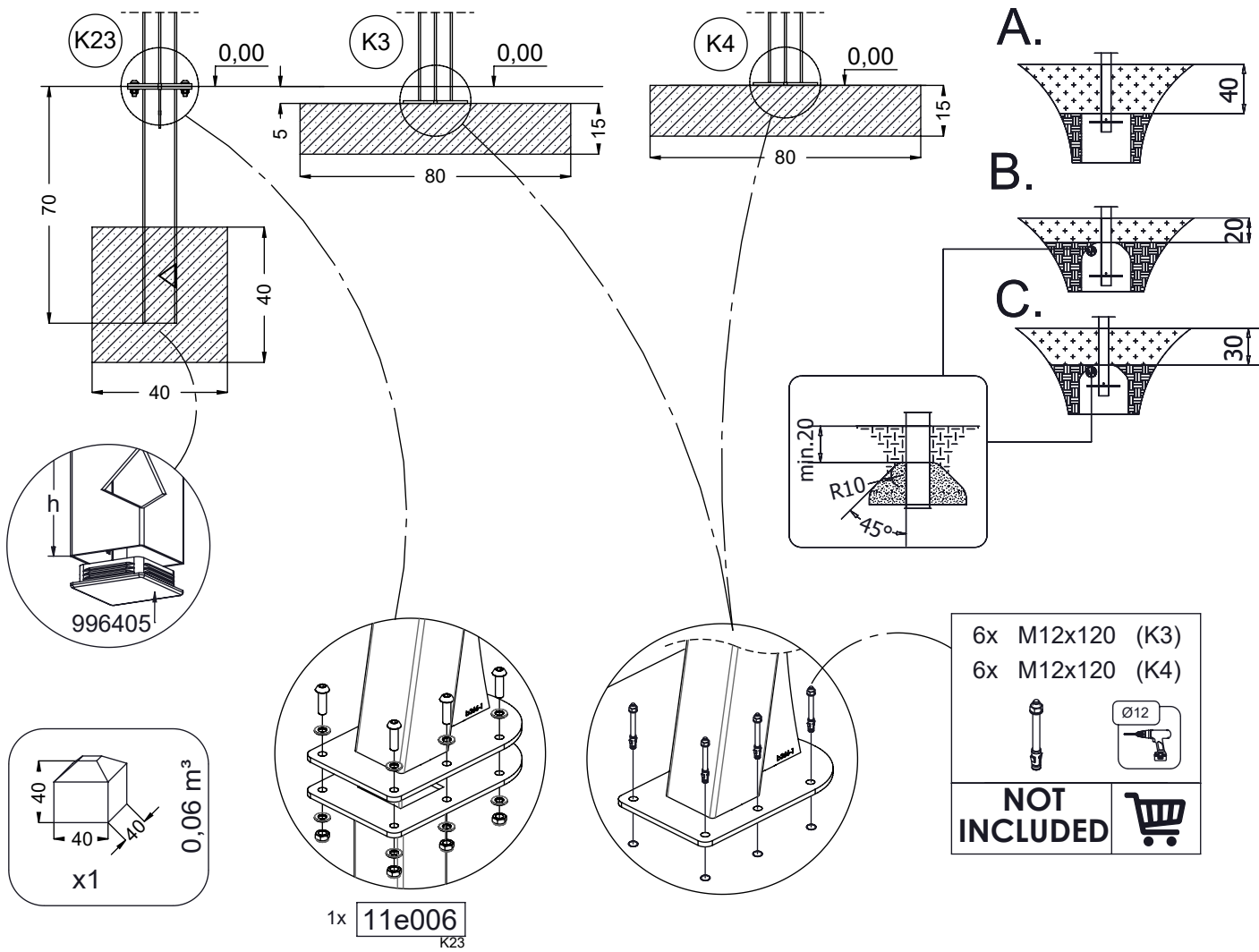
vinci  
play



[cm]

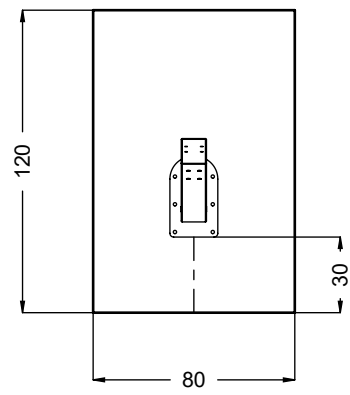
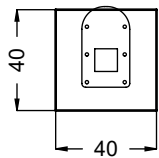


vinci  
play



K23

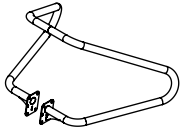
K3 K4



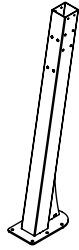
[cm]

x2   
 1h   
   
 48h   
 K3/K4 x1 >0,14m³   
 K23 x1 >0,06m³

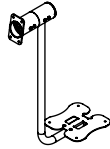
vinci play



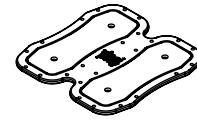
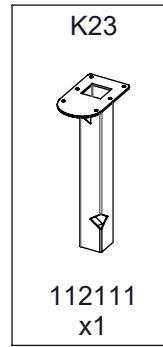
112121  
112199 (inox)  
x1



112125  
112198 (inox)  
x1

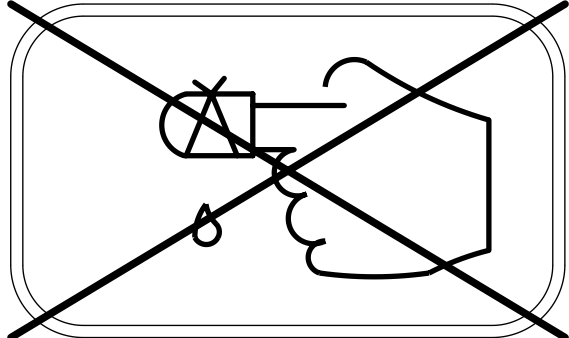
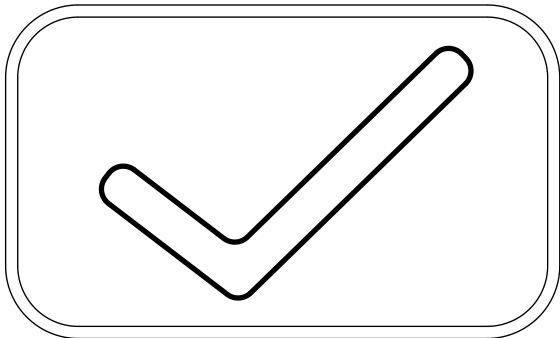
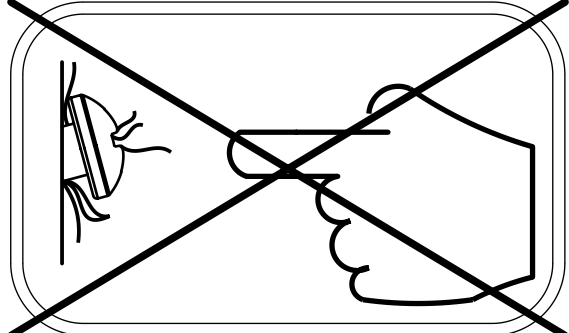
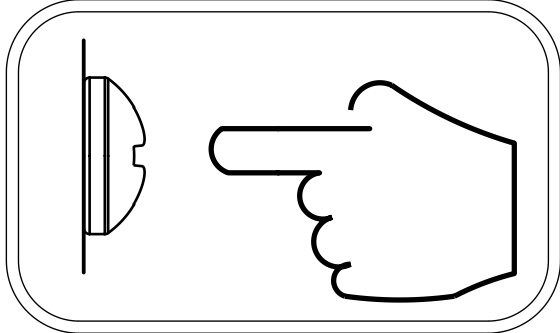
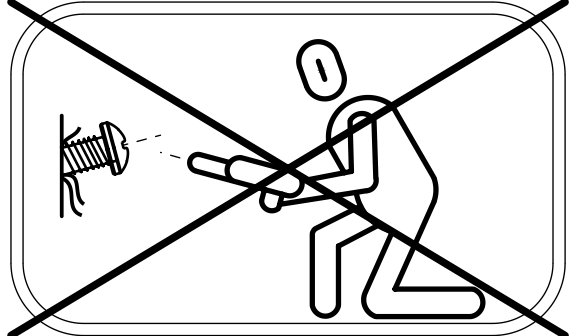
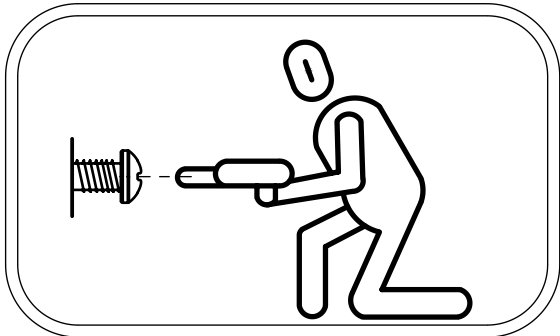


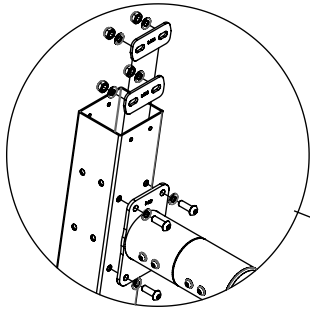
114111  
114112 (inox)  
x1



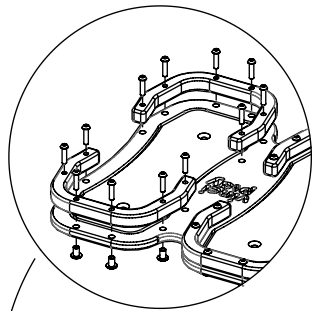
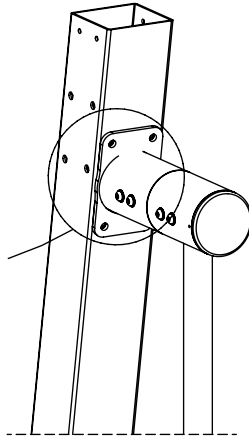
111114  
x1

ST/INOX	
1x	11e006 (K23)
1x	11e001
1x	11e002
3x	11e004
1x	11e009
2x	11e011
1x	116107
1x	996405

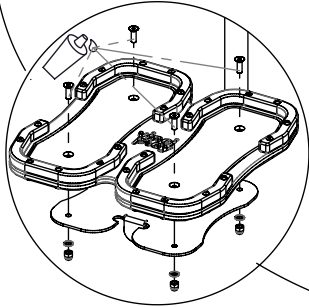




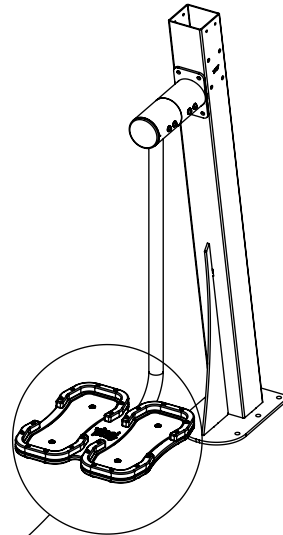
1x 11e004



2x 11e011



1x 11e009

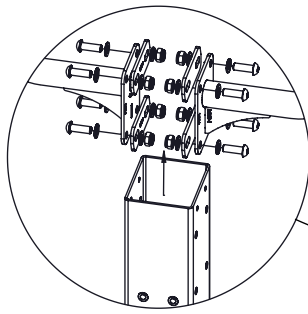


[cm]

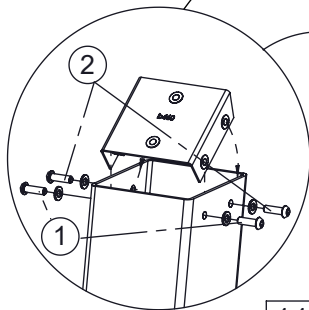
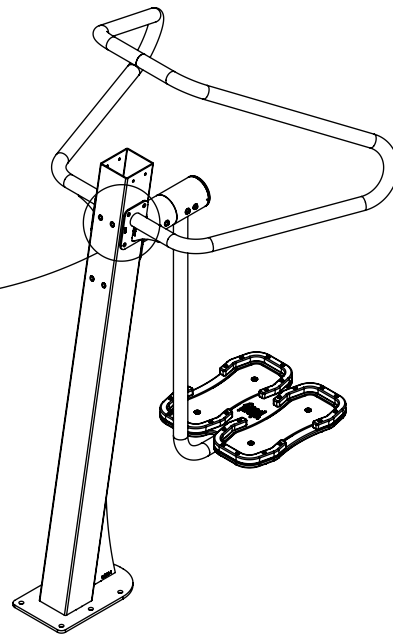


vinci  
play

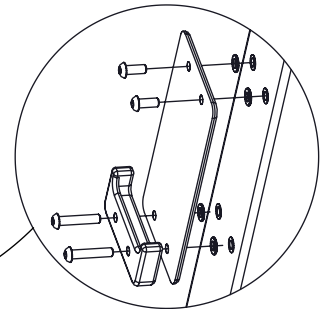
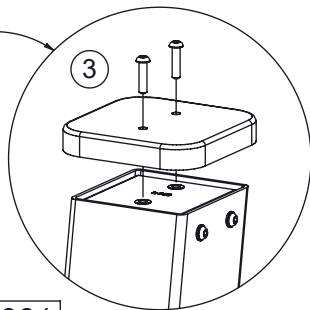




2x 11e004

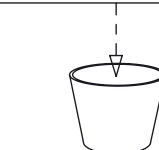
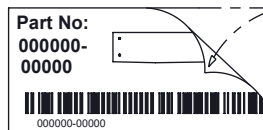
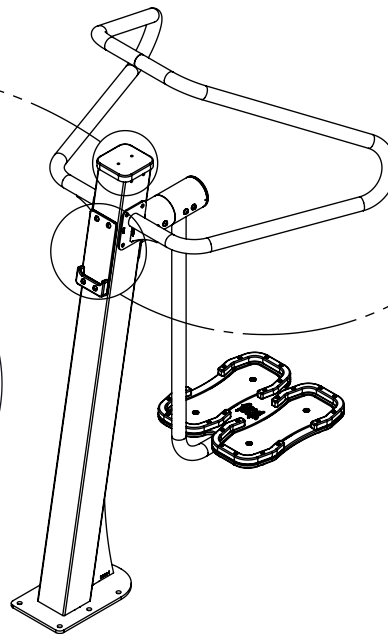


1x 11e001

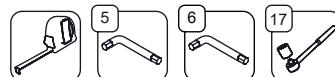


1x 11e002

1x 116107



[cm]



vinci play