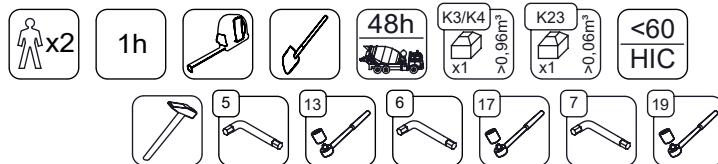
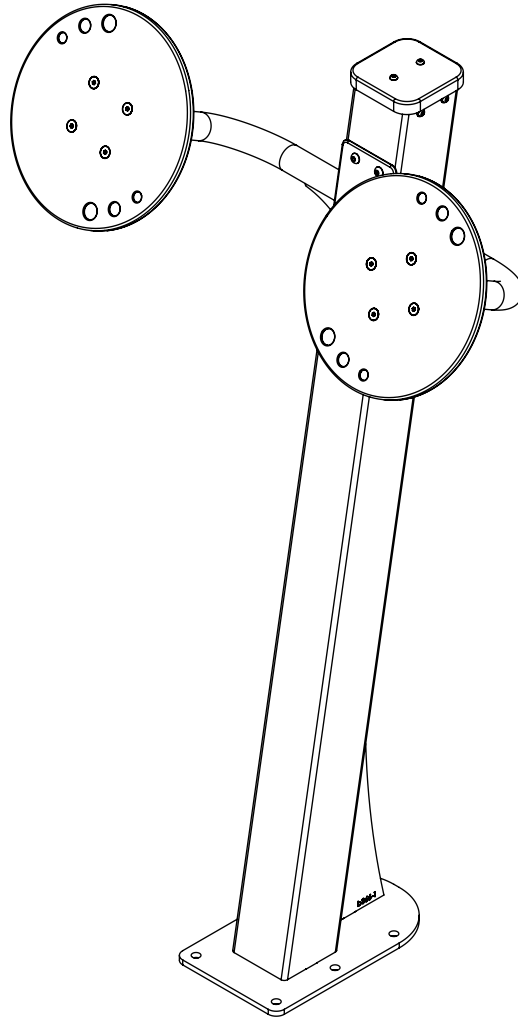
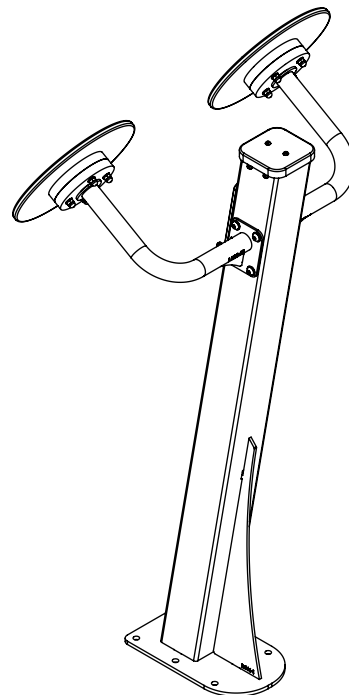
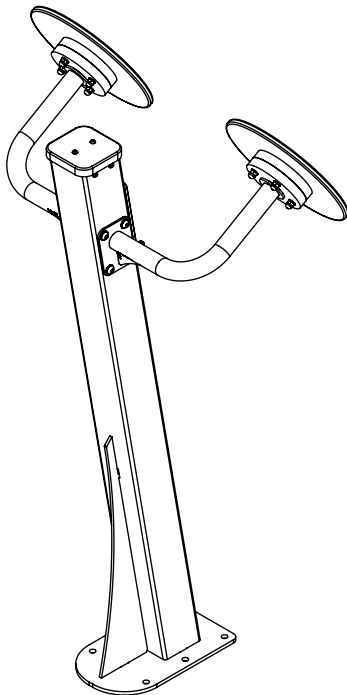
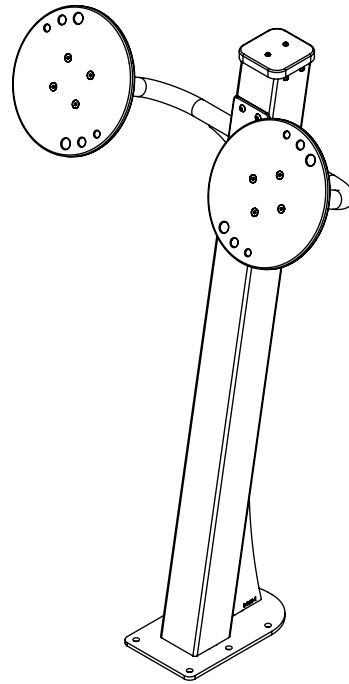
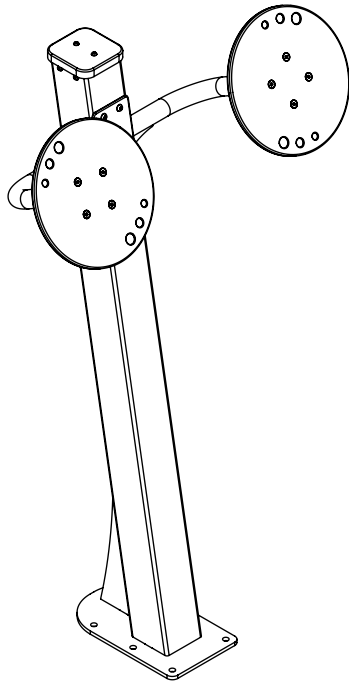


# 1109



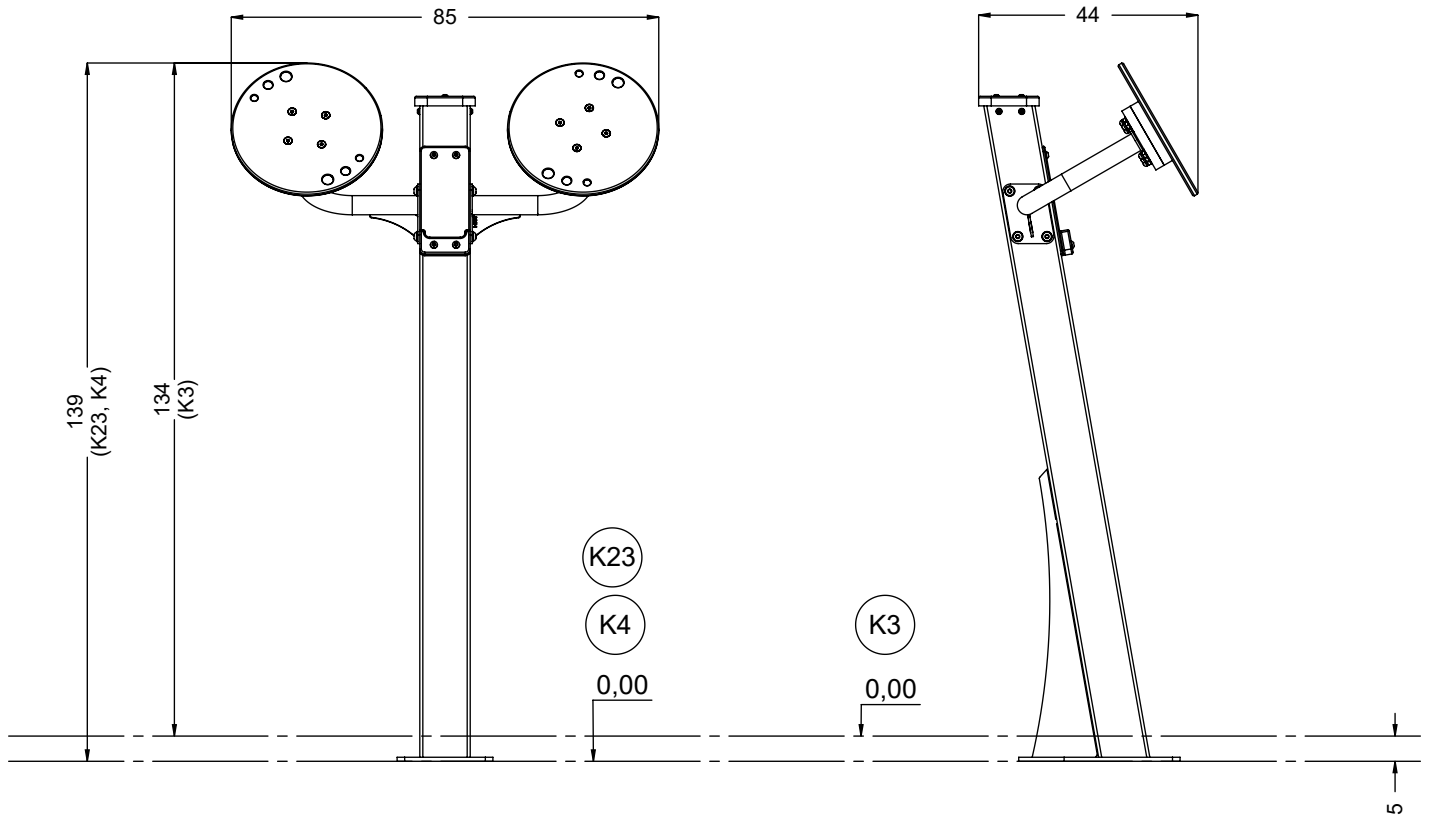
v011  
23.03.2021  
A. H.  
[cm]

vinci  
play



[cm]

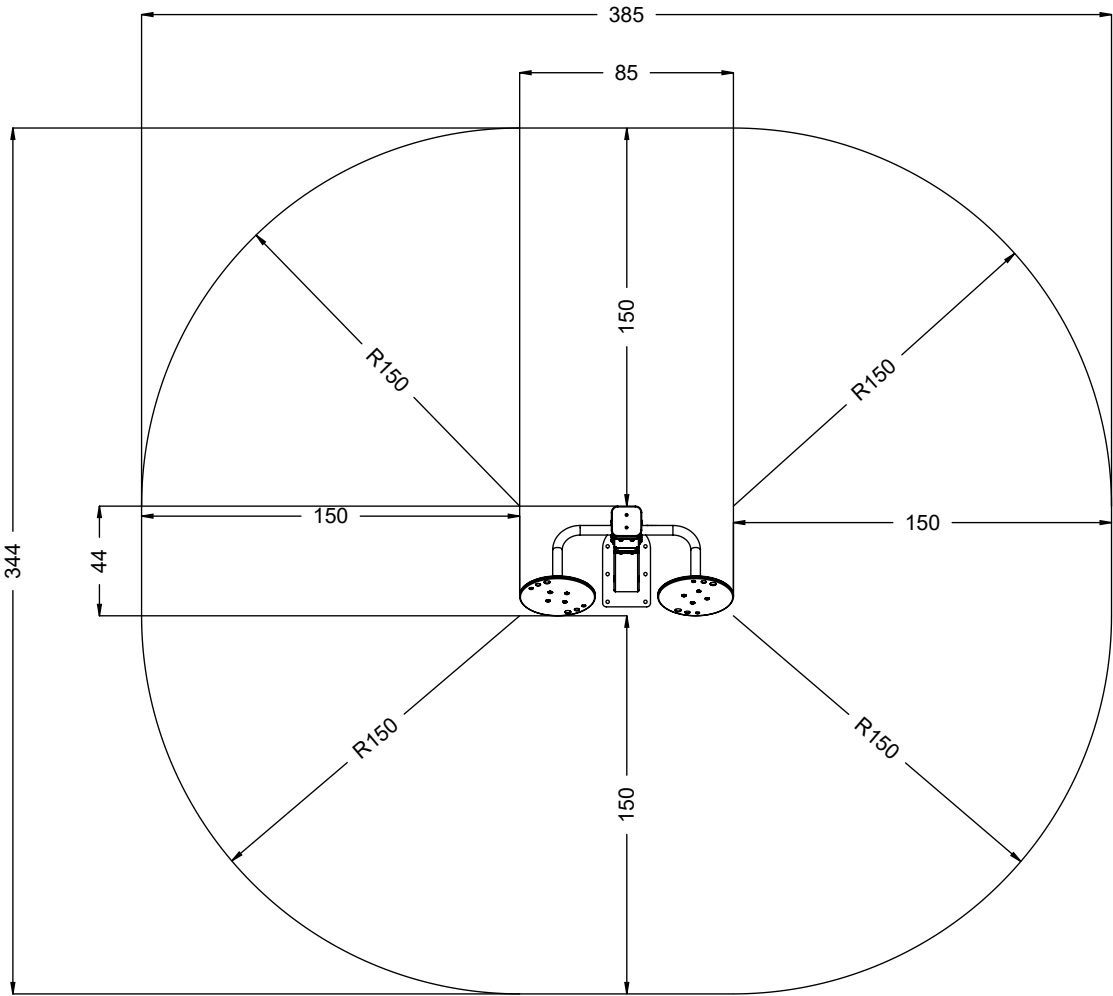
vinci  
play



[cm]



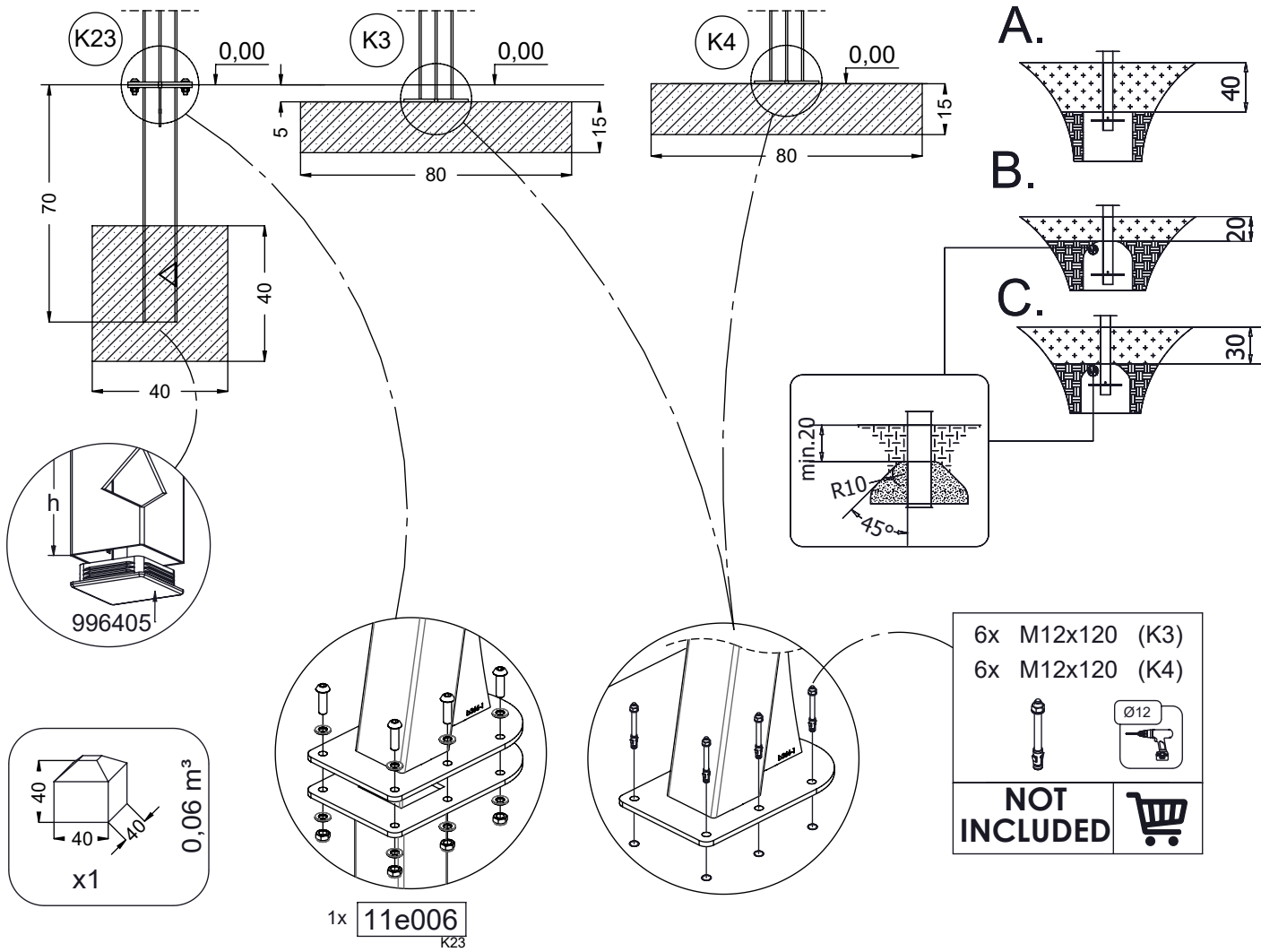
vinci  
play



[cm]

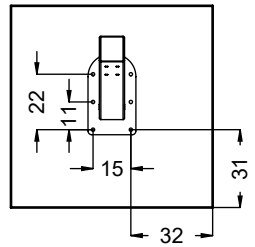
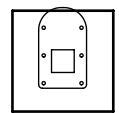


vinci  
play



K23

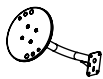
K3 K4



[cm]

x2   
 1h   
   
   
 48h   
 K3/K4 x1 >0,96m³   
 K23 x1 >0,06m³

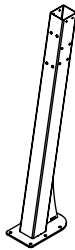
vinci play



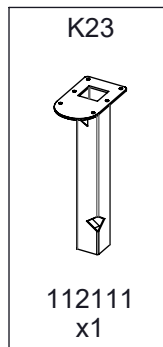
114134  
114133 (inox)  
x1



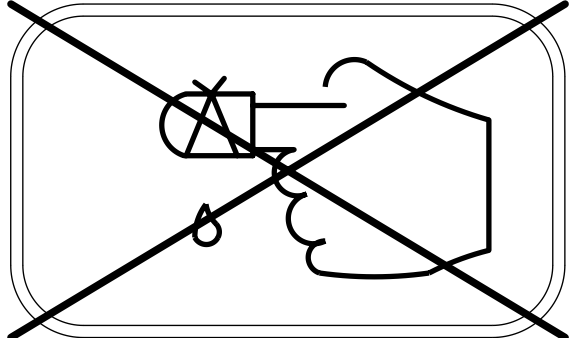
114036  
114135 (inox)  
x1

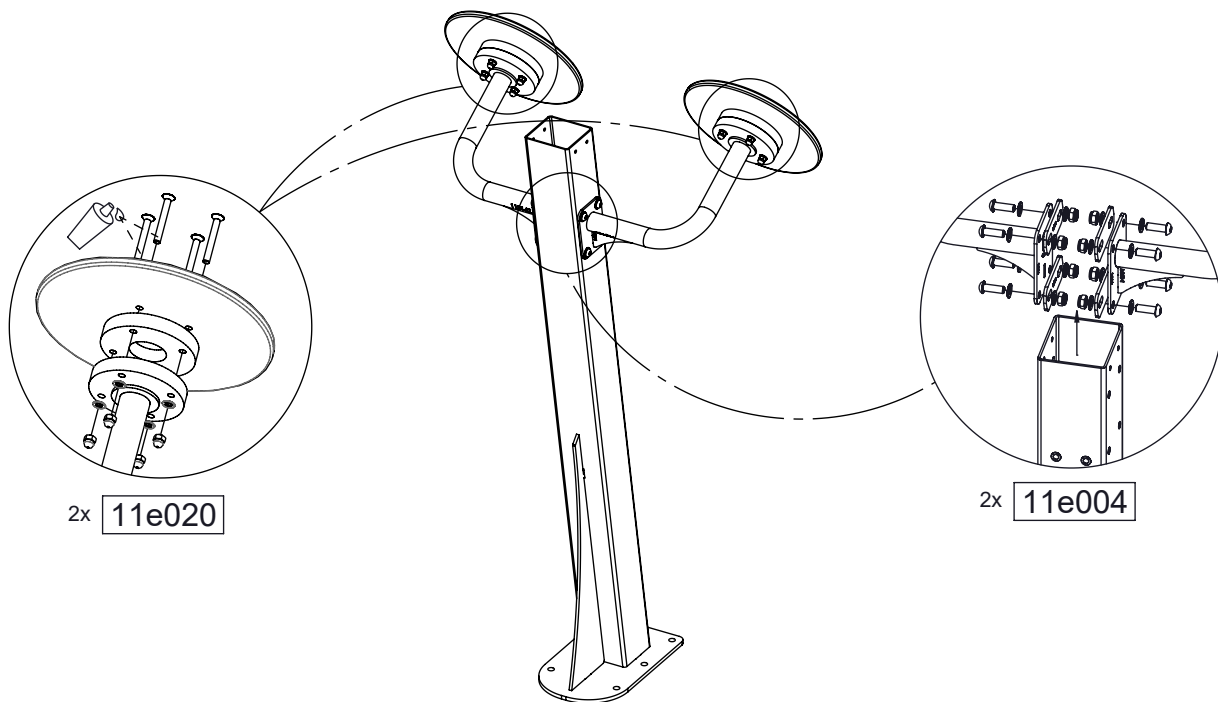


112250  
112251 (inox)  
x1



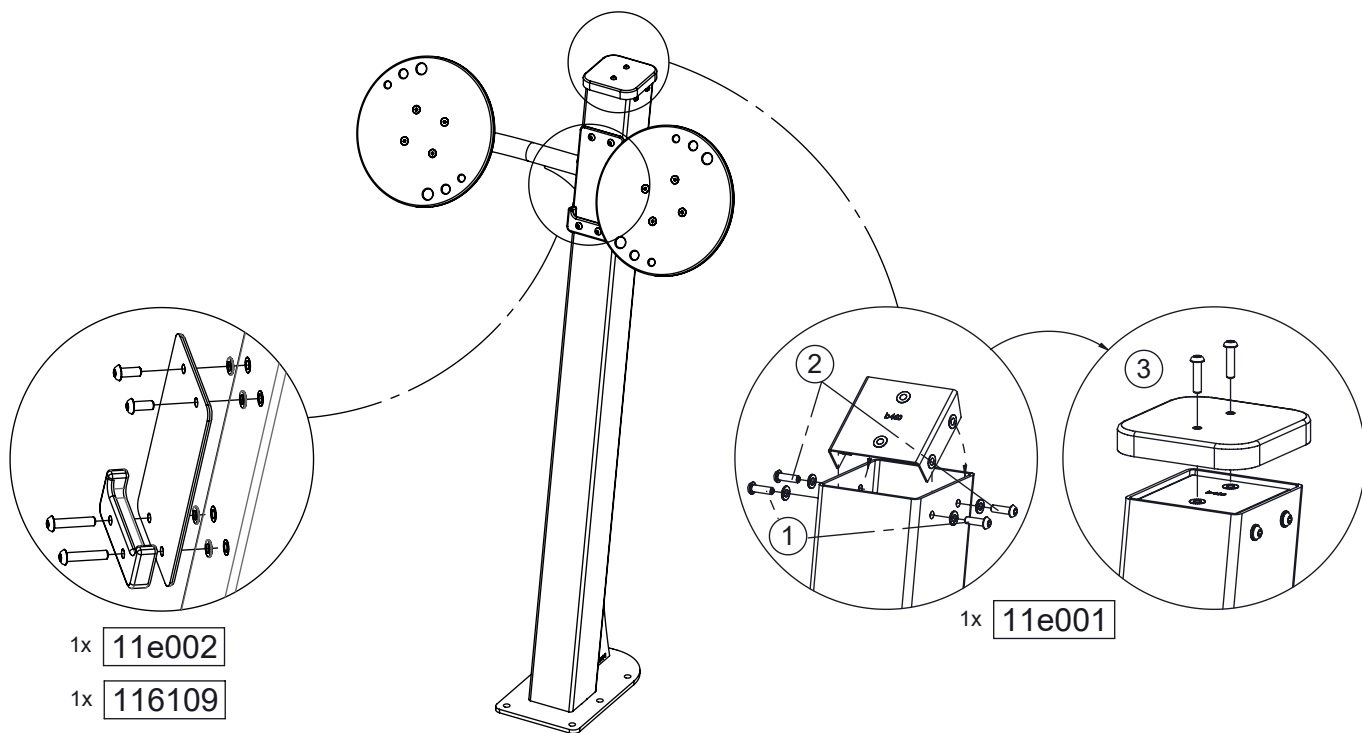
ST/INOX	
1x	11e006 (K23)
1x	11e001
1x	11e002
2x	11e004
1x	116109
2x	11e020
1x	996405





2x 11e020

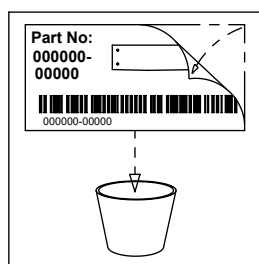
2x 11e004



1x 11e002

1x 116109

1x 11e001



[cm]



vinci  
play