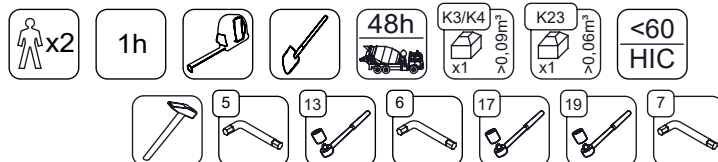
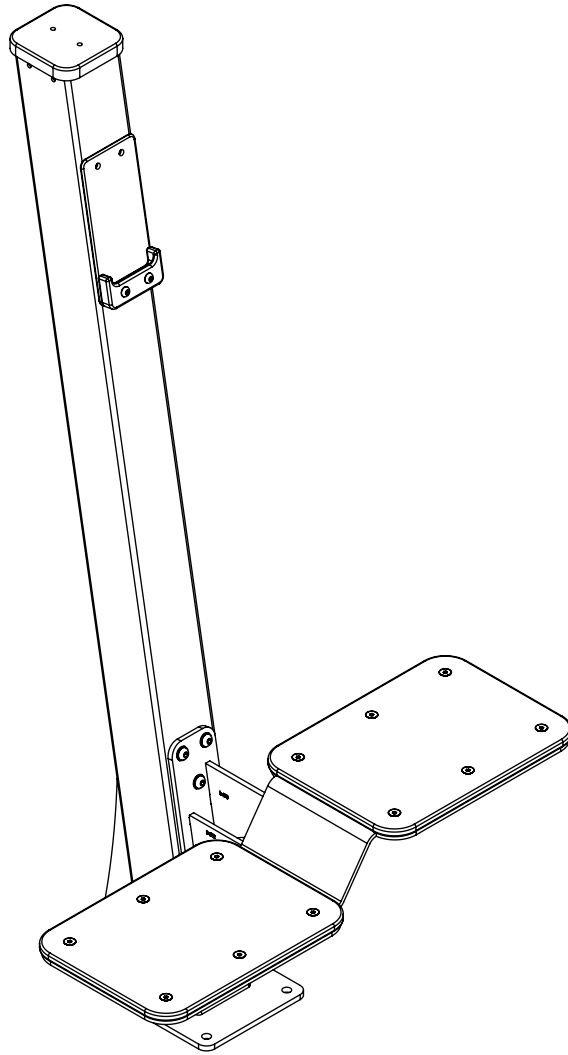
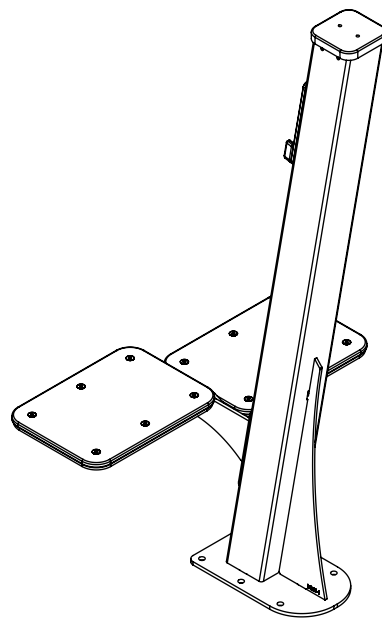
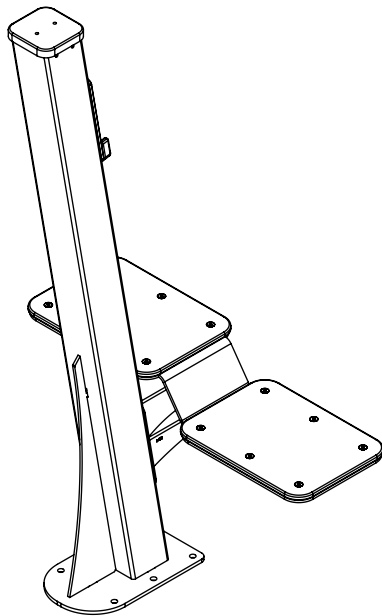
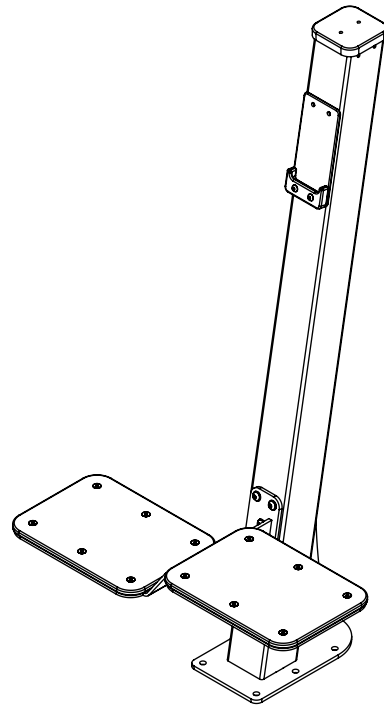
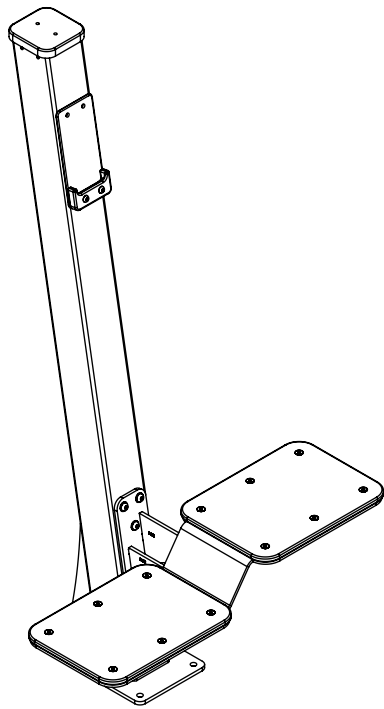


# 1114



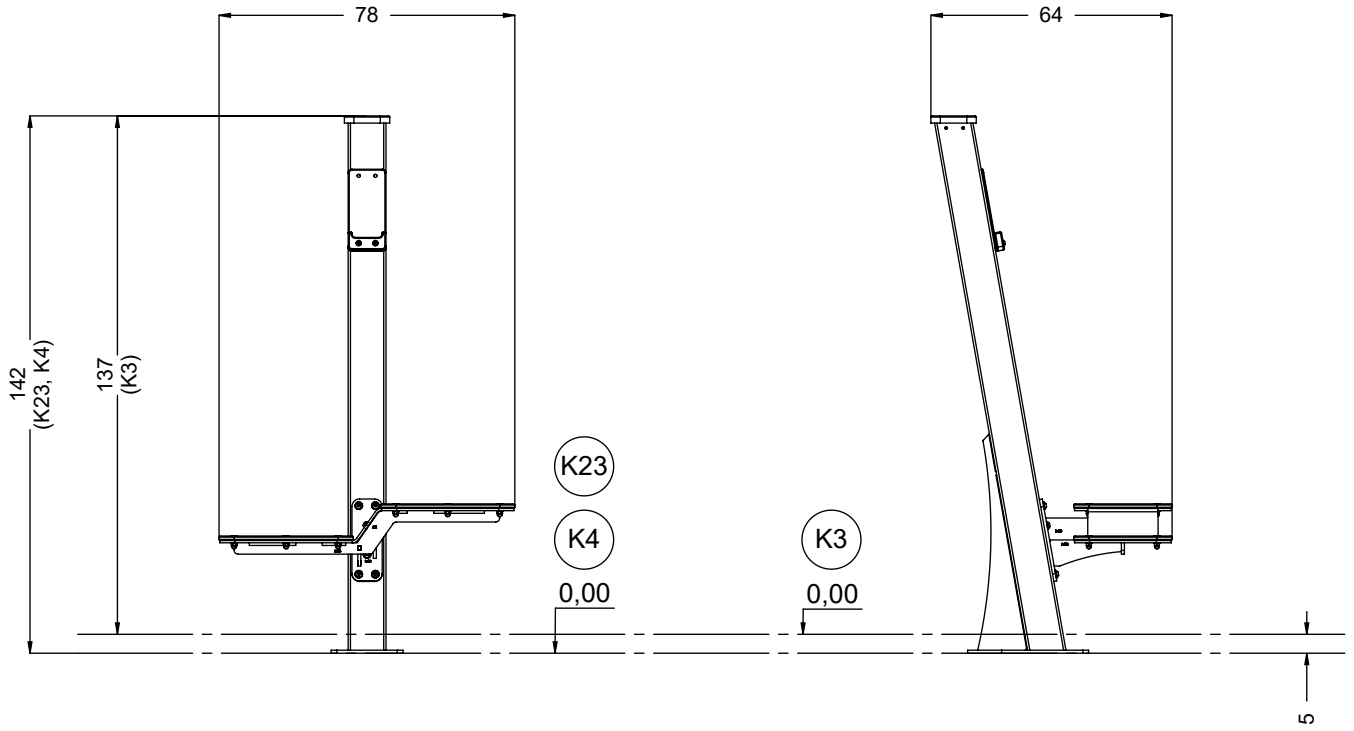
v011  
23.02.2021  
A. H.  
[cm]

vinci  
play



[cm]

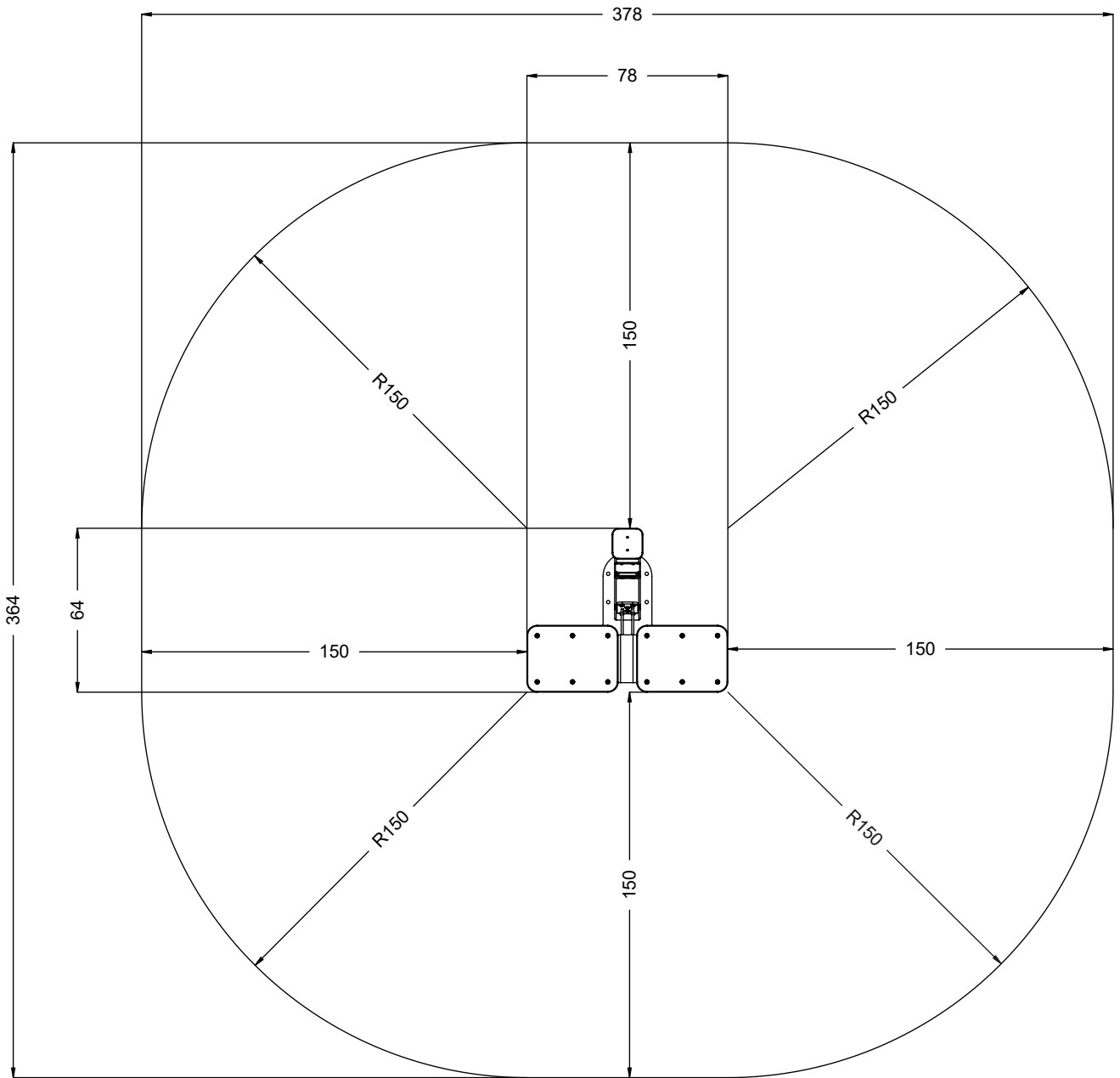
vinci  
play



[cm]



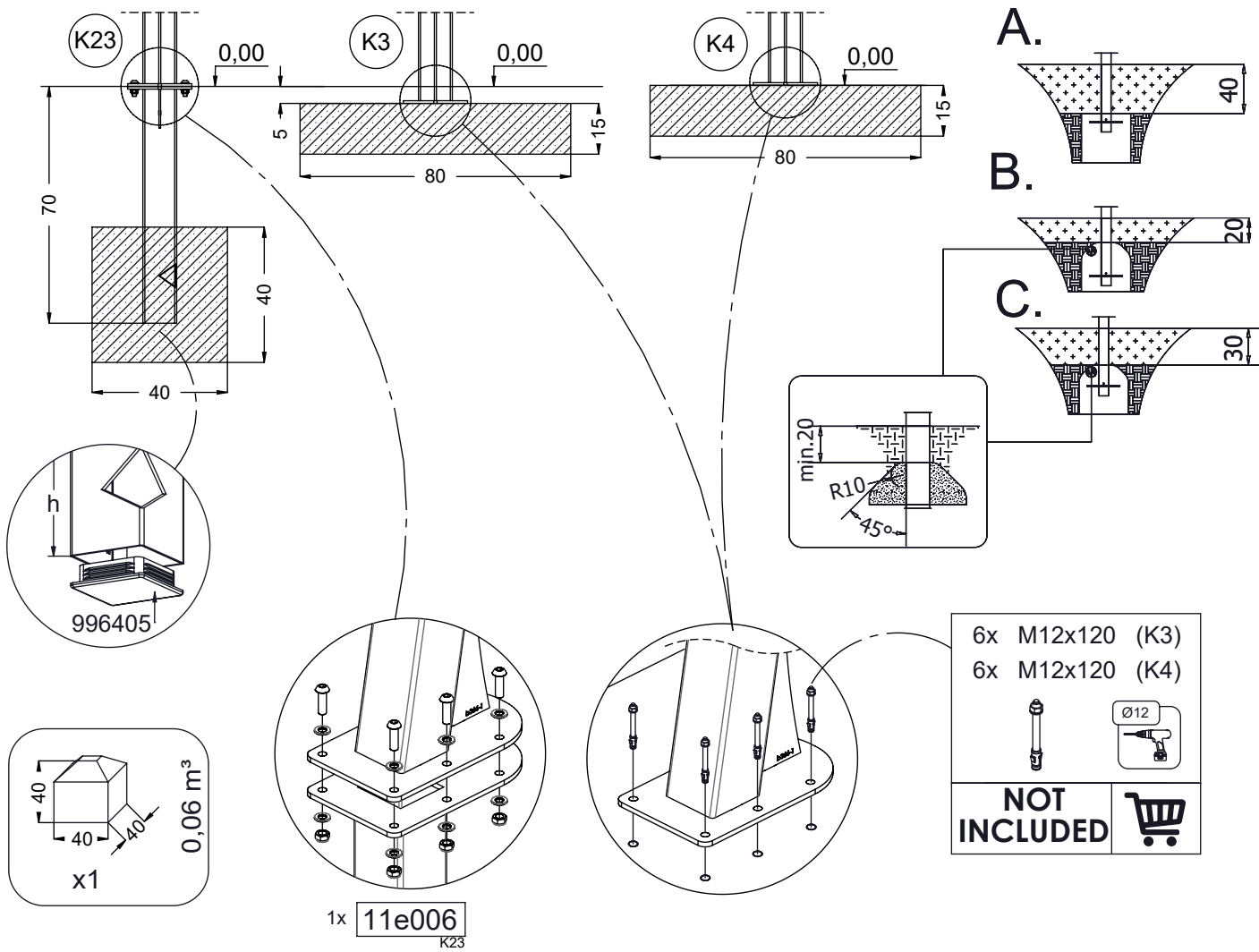
vinci  
play



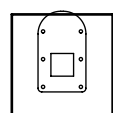
[cm]



vinci  
play

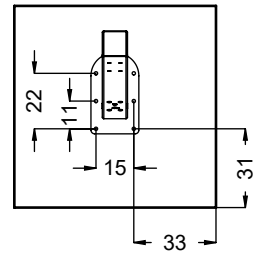


K23



K3

K4



[cm]



x2

1h



48h

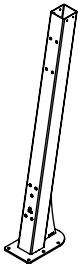


K3/K4  
x1 >0,09m<sup>3</sup>

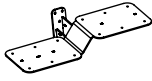


K23  
x1 >0,06m<sup>3</sup>

vinci play



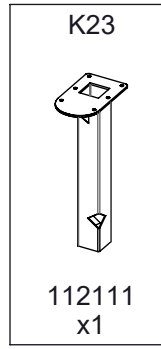
112268  
112269 (inox)  
x1



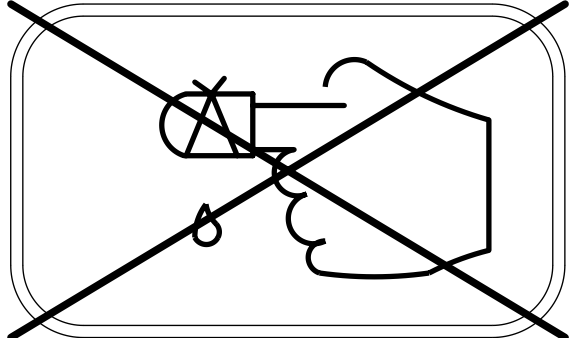
112147  
112270 (inox)  
x1

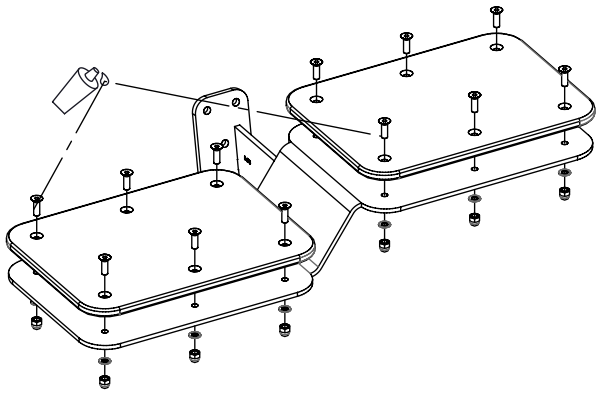


111124  
x2

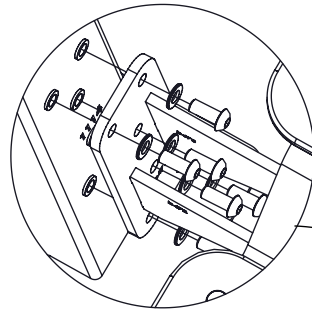


ST/INOX	
1x	11e006 (K23)
1x	11e001
1x	11e002
2x	11e007
1x	11e016
1x	116114
1x	996405

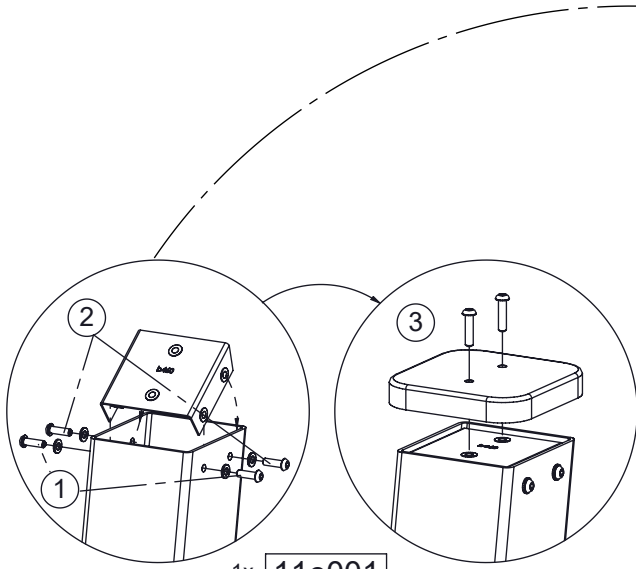
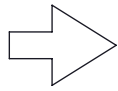
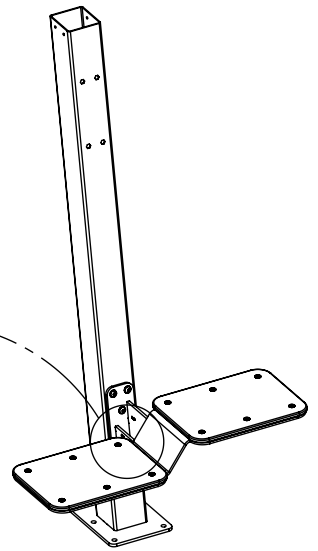




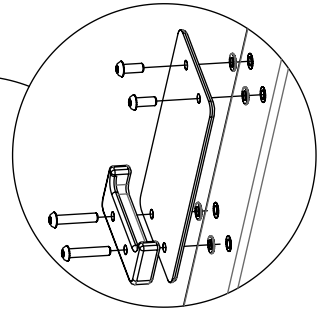
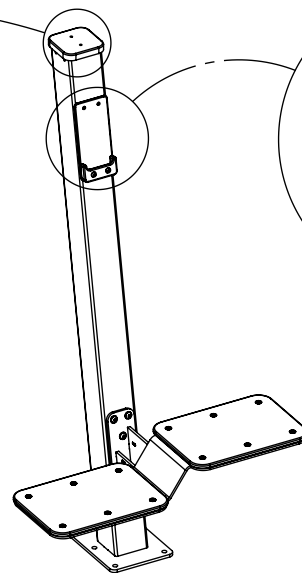
2x 11e007



1x 11e016

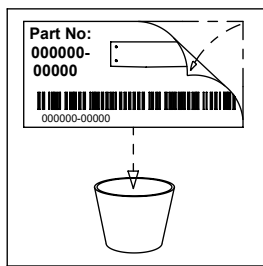


1x 11e001



1x 11e002

1x 116114



[cm]



vinci  
play