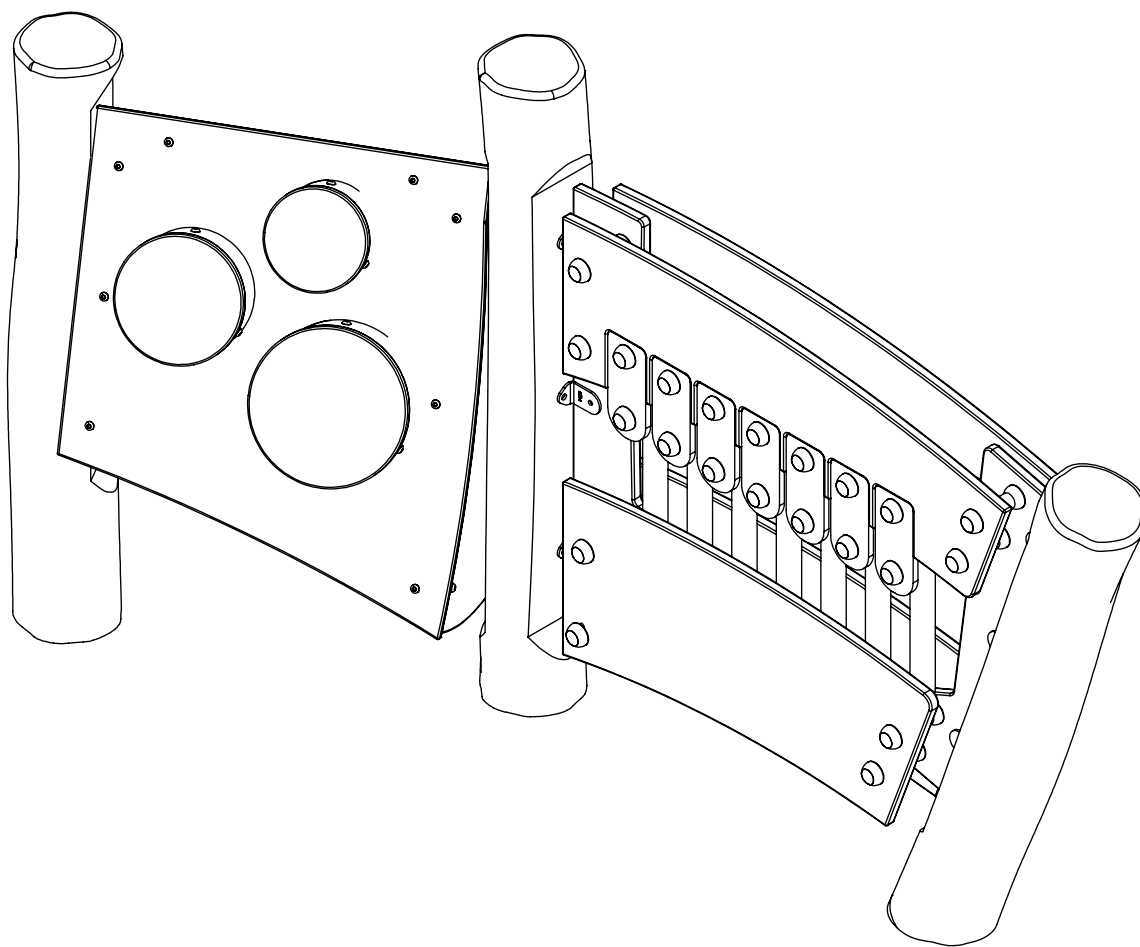
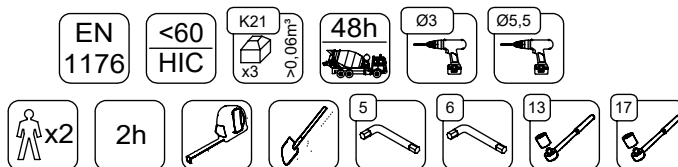


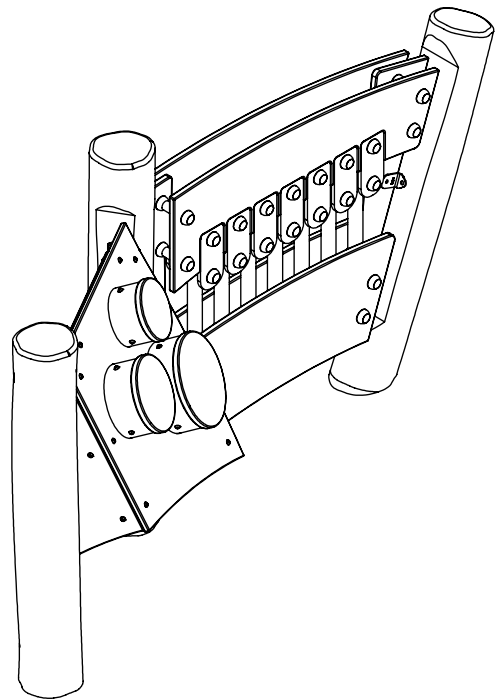
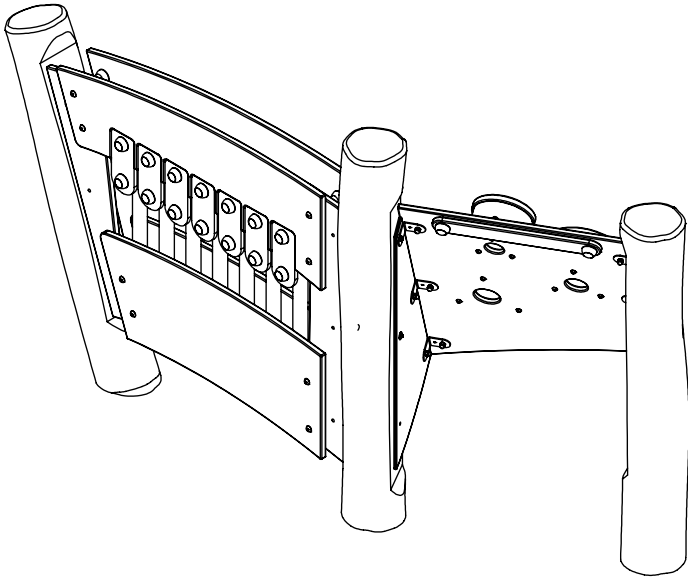
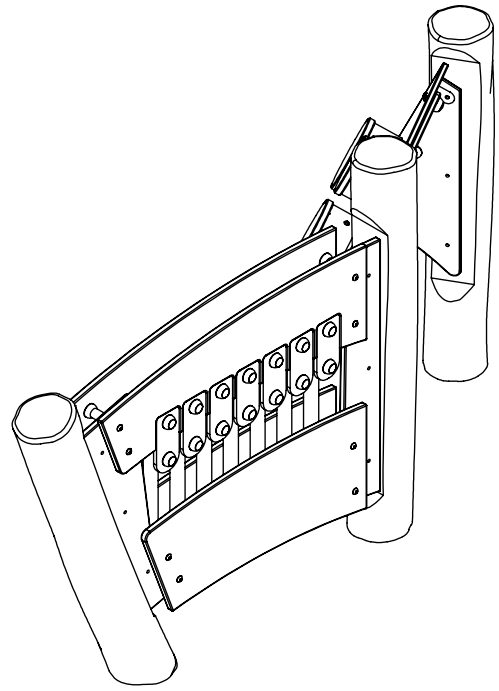
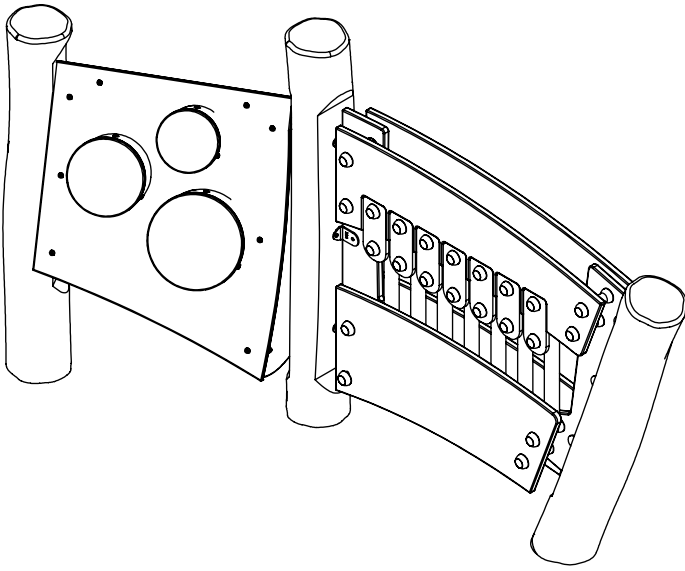
# RB1339



v010  
09.12.2021  
D. P.  
[cm]

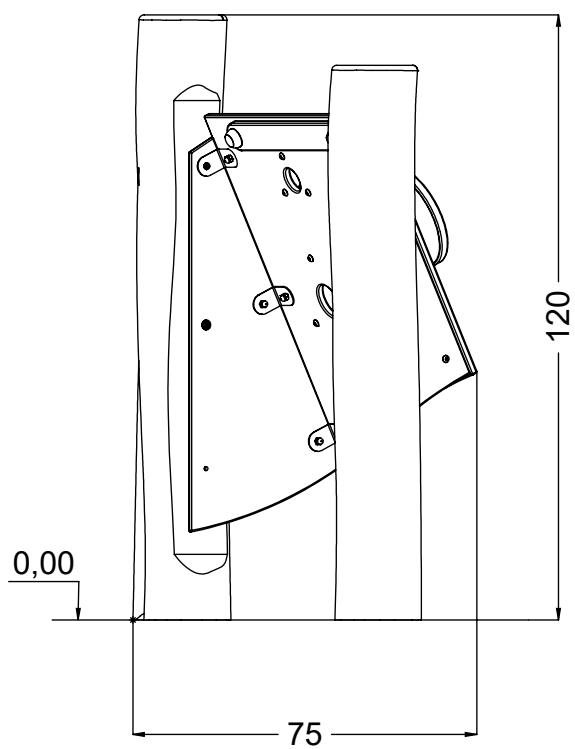
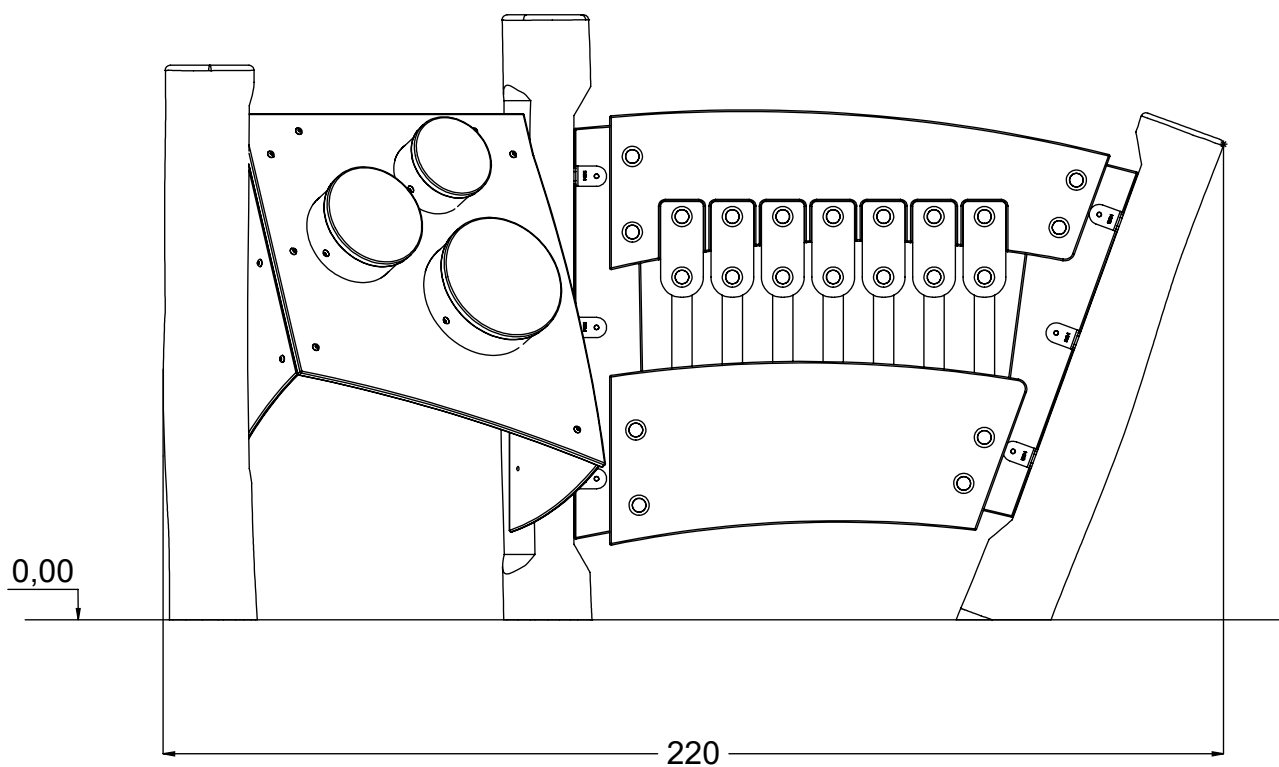


vinci  
play



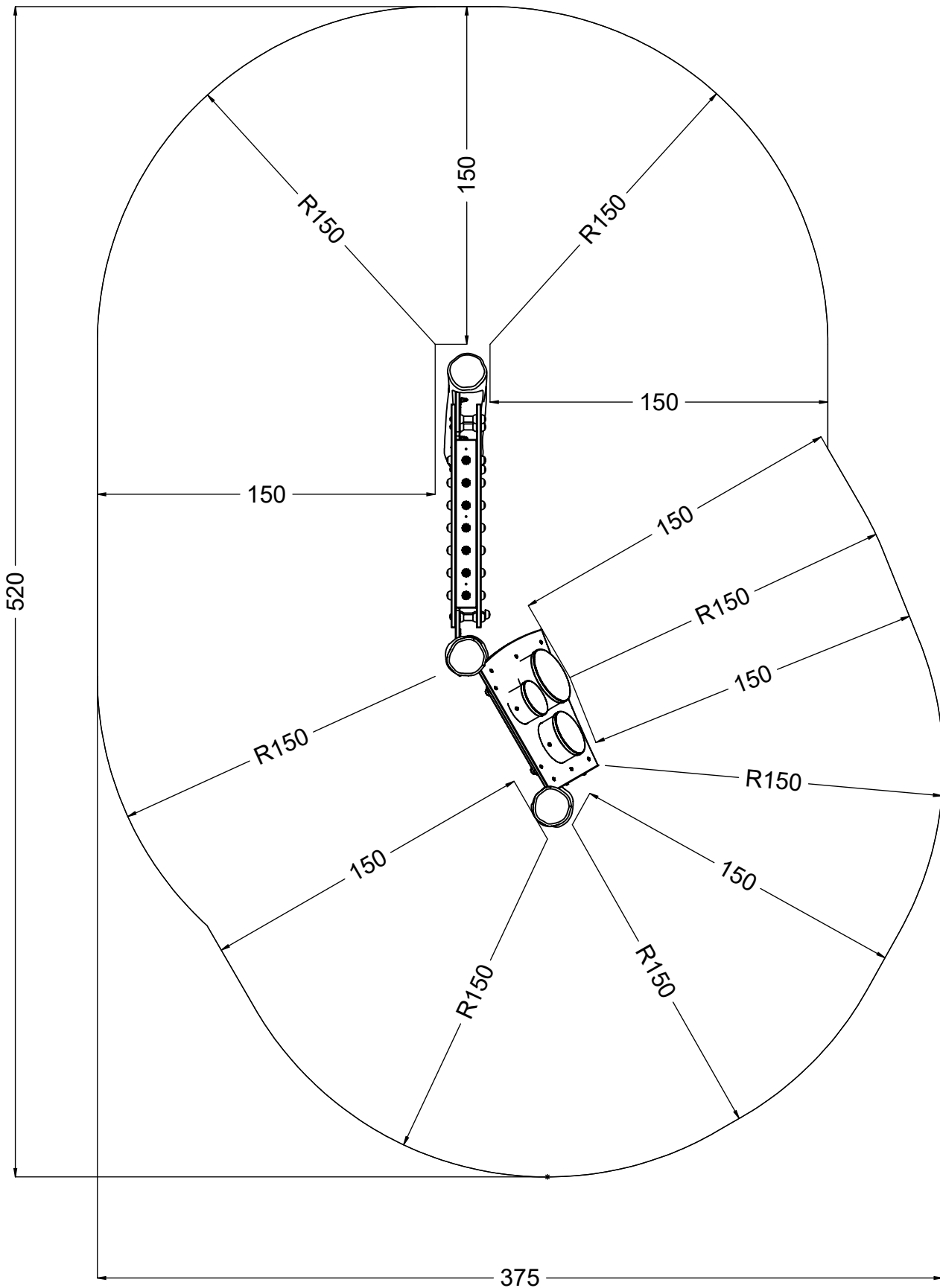
[cm]

vinci  
play



[cm]

vinci  
play



[cm]

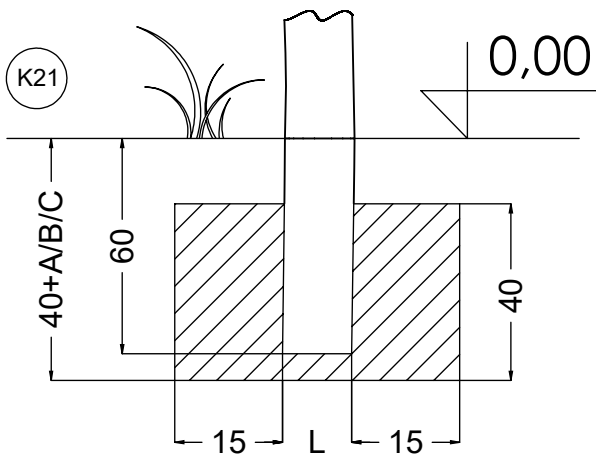


vinci  
play

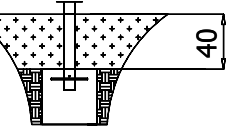
K21

0,00

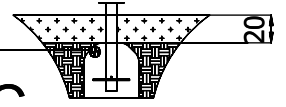
48h



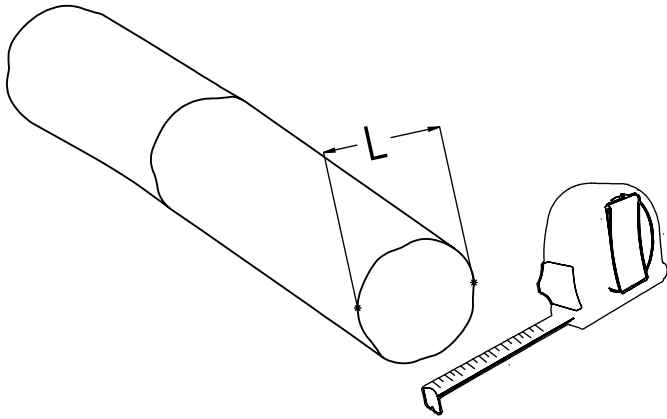
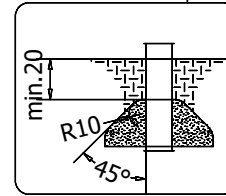
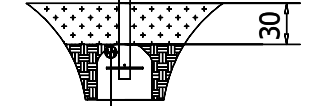
A.



B.

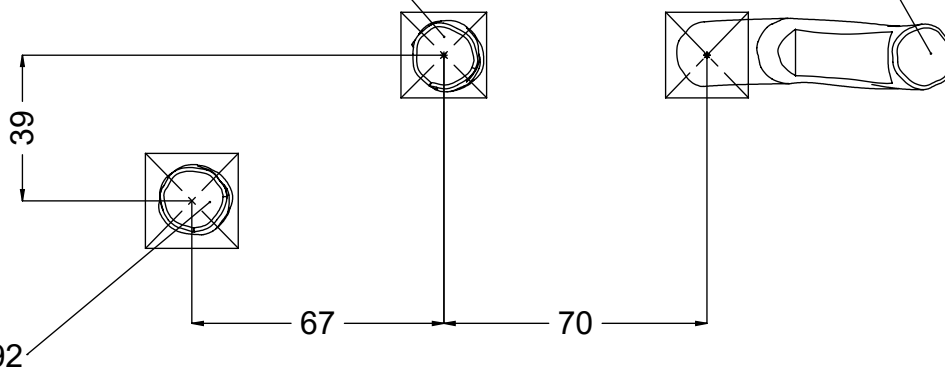


C.



127690

127691



127692

[cm]



2h



48h

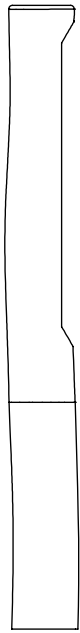


K21

x3

>0.06m³

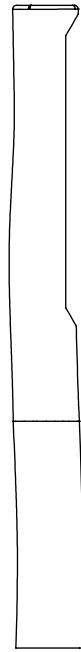
vinci play



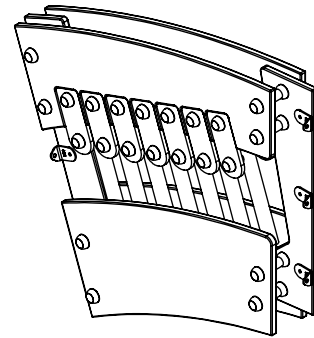
127690  
x1



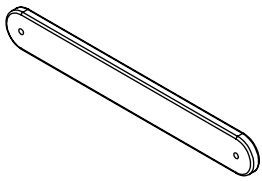
127691  
x1



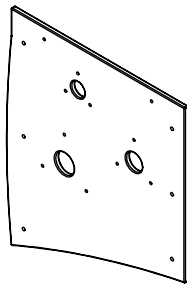
127692  
x1



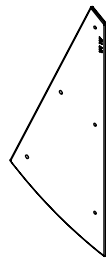
174119  
x1



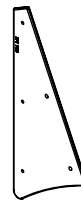
171146  
x1



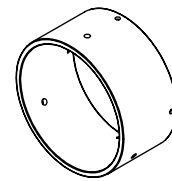
171119  
x1



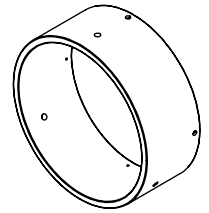
171117  
x1



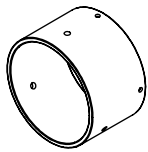
171118  
x1



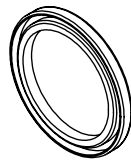
996228  
x1



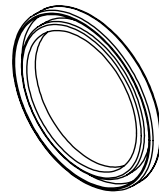
996229  
x1



996230  
x1



171125  
x1

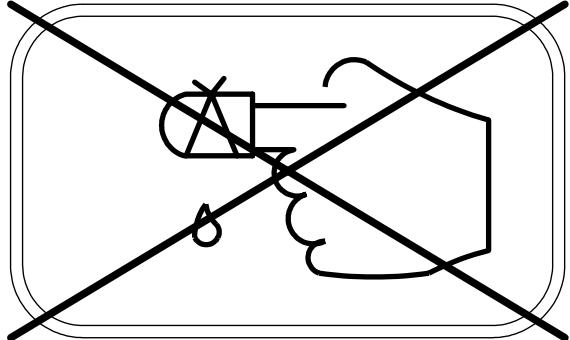
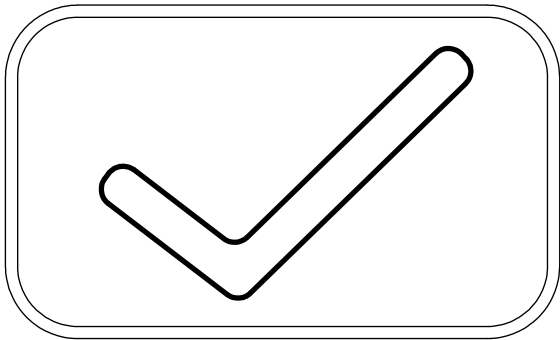
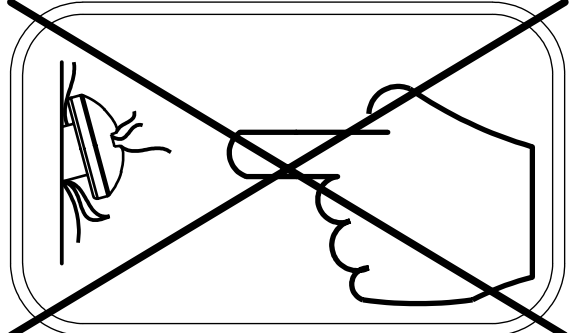
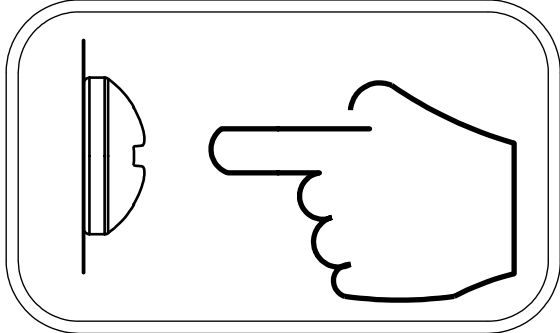
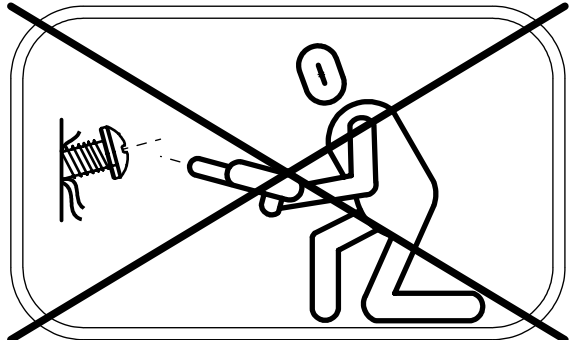
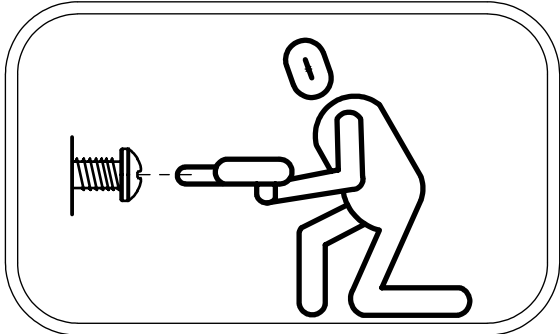


171126  
x1

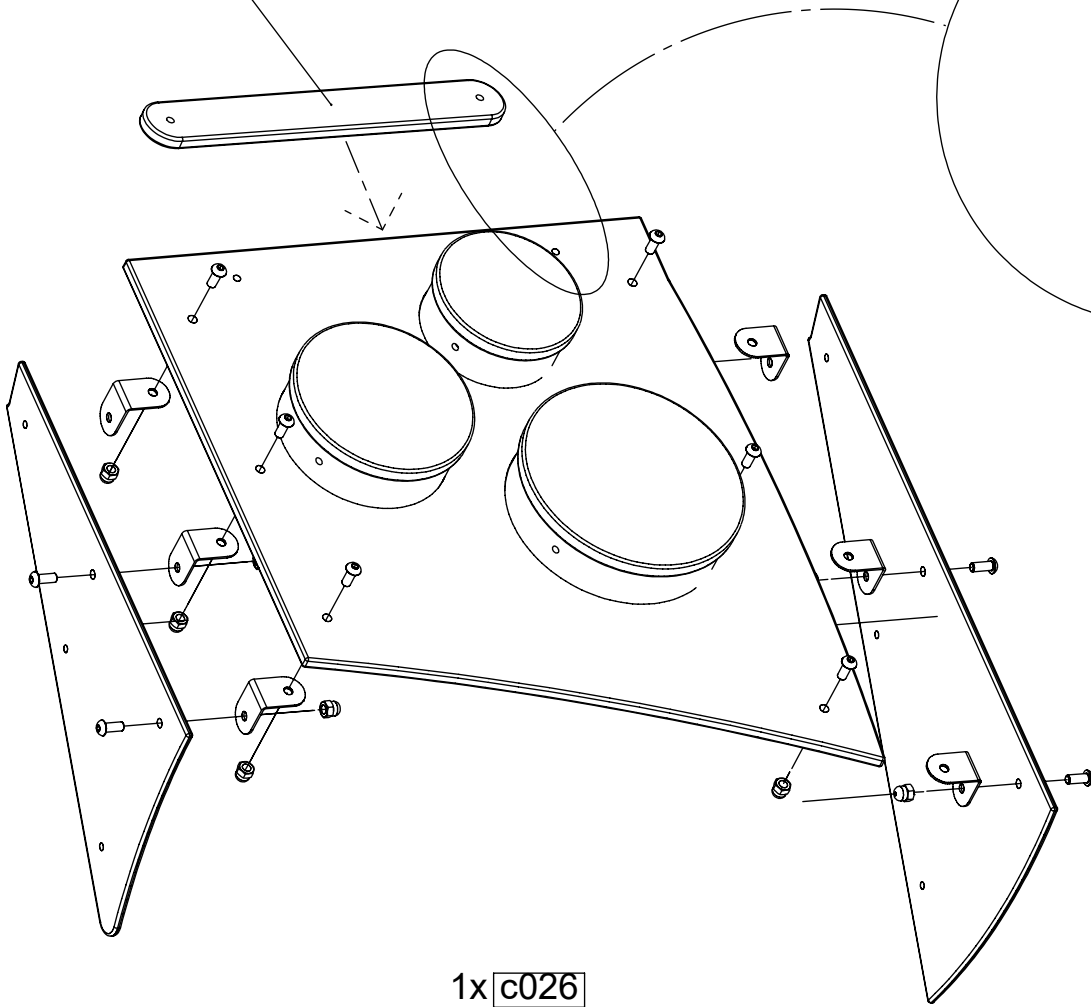


171127  
x1

12x	5x80 sxi
4x	10pp
1x	c018
1x	c026
1x	12e082
6x	i128-1
1x	V001



171146



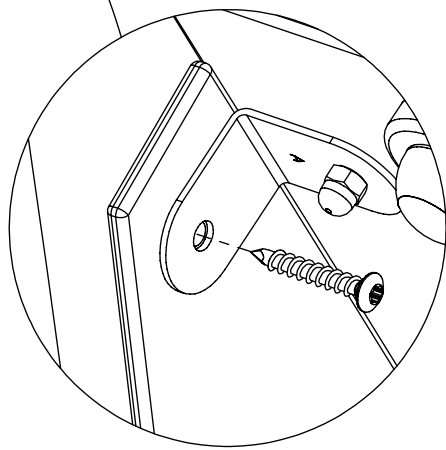
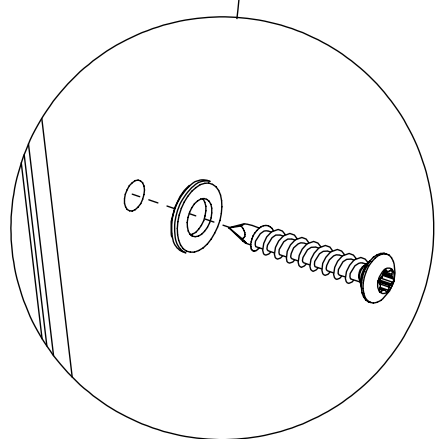
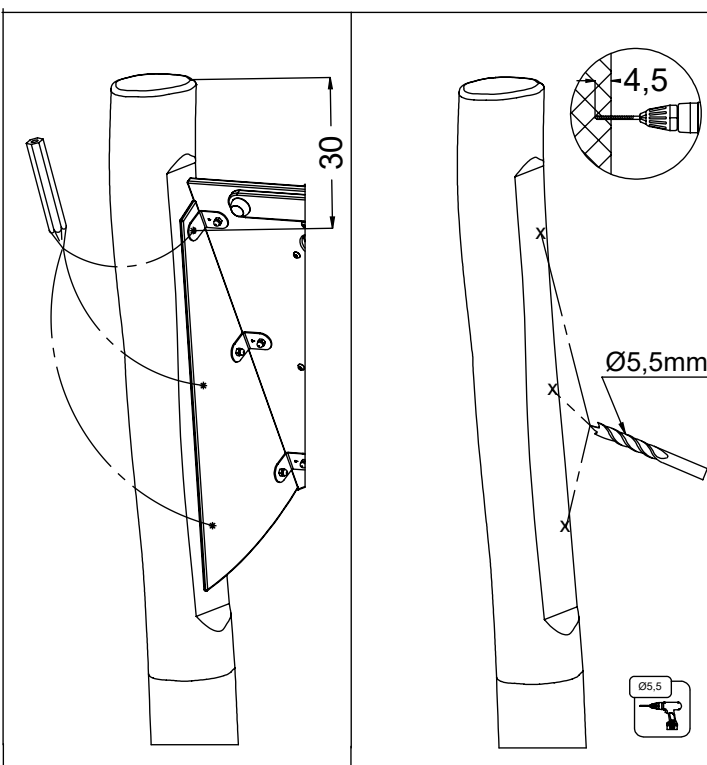
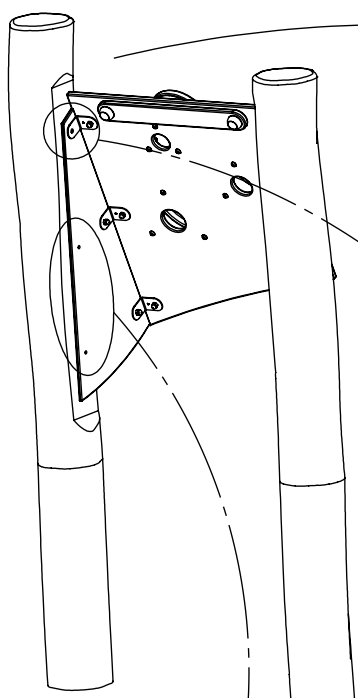
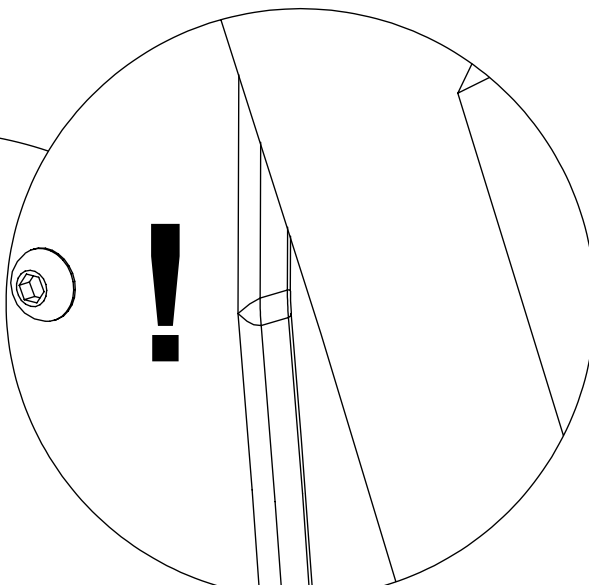
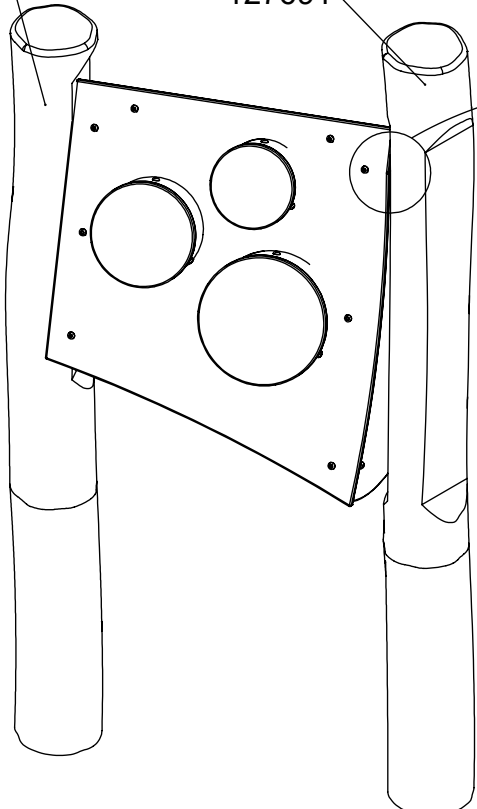
[cm]

vinci  
play



127692

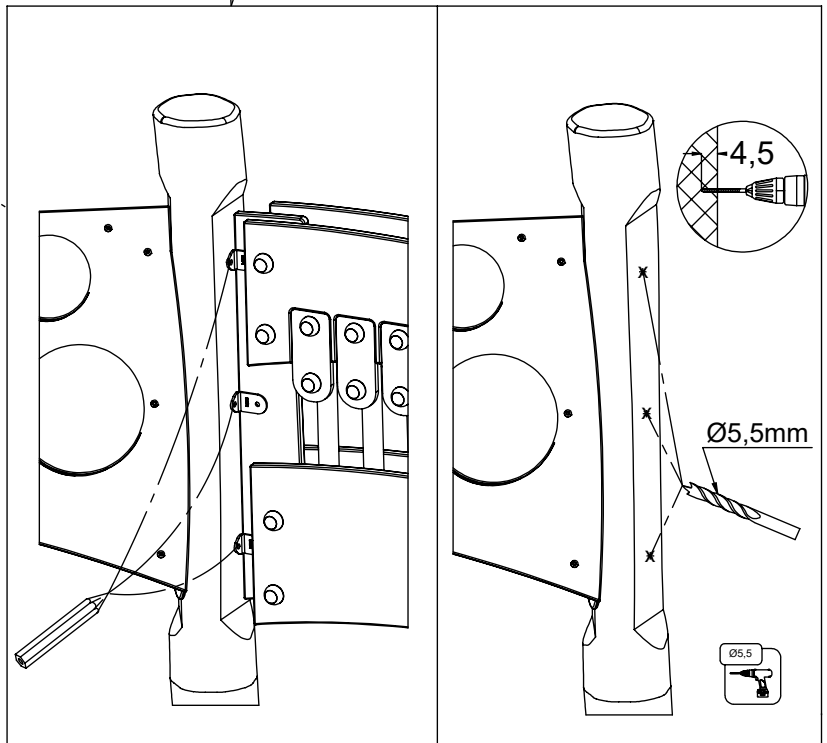
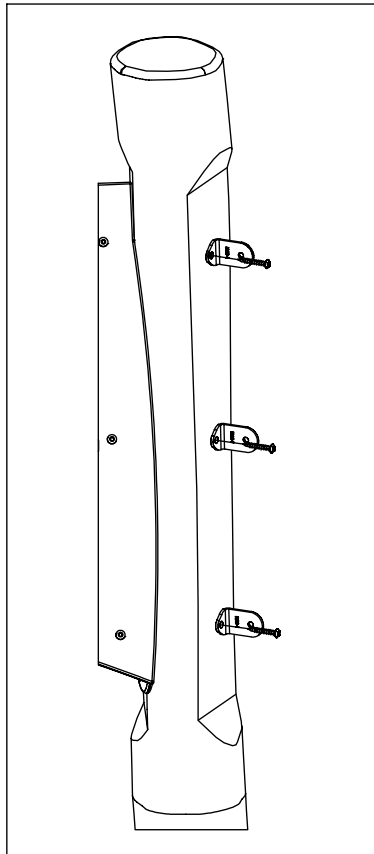
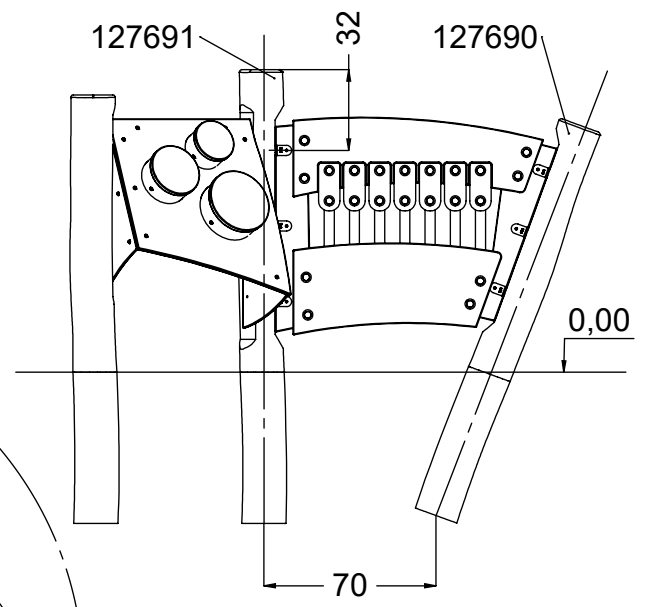
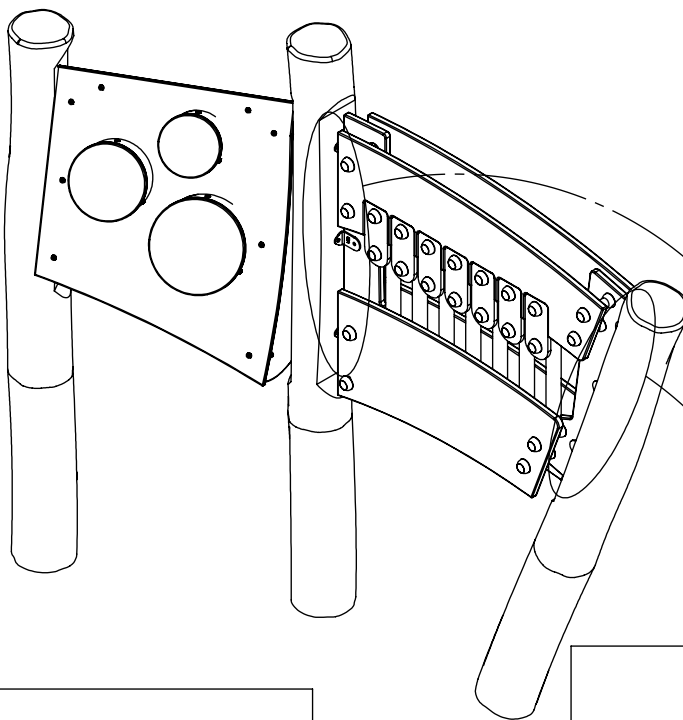
127691



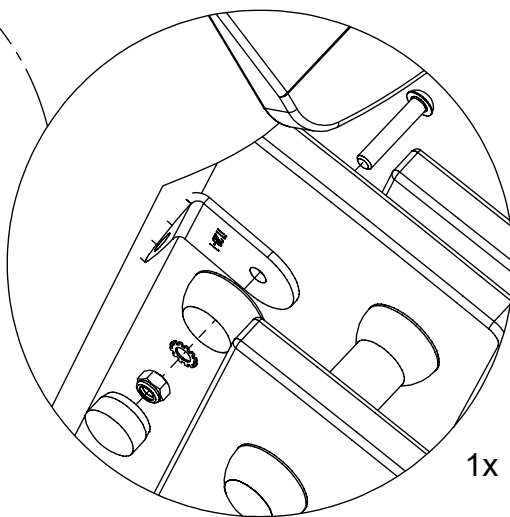
6x 8x50sxi  
4x 10pp

[cm]

vinci  
play



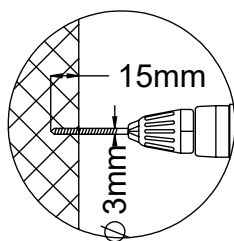
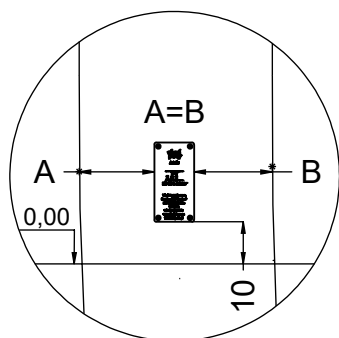
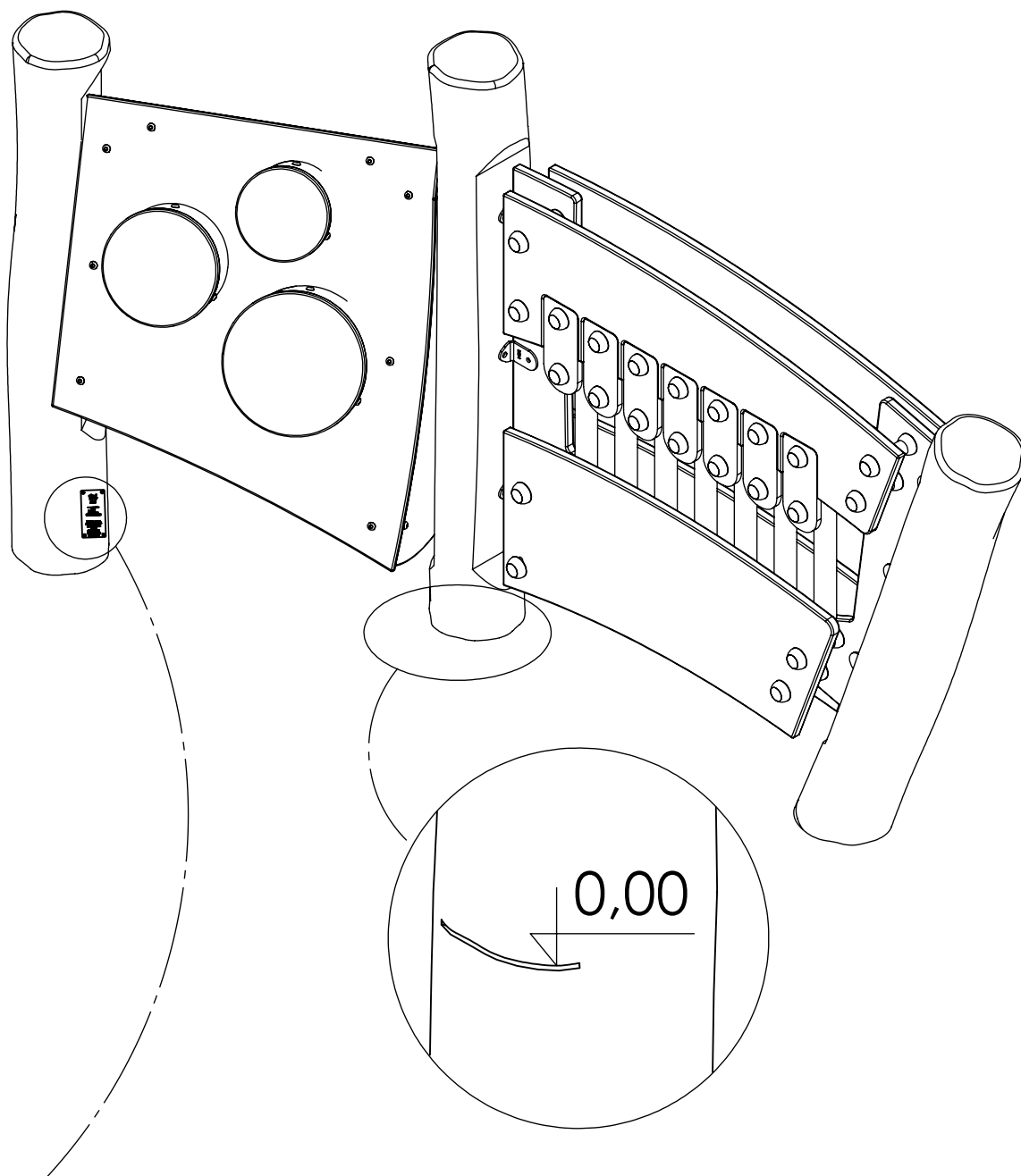
6x **8x50sxi**  
 6x **i128-1**



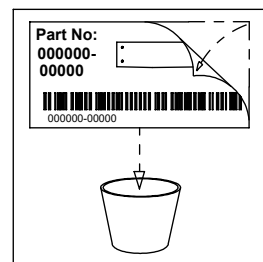
1x **12e082**

vinci  
 play

[cm]



V001



[cm]

vinci  
play