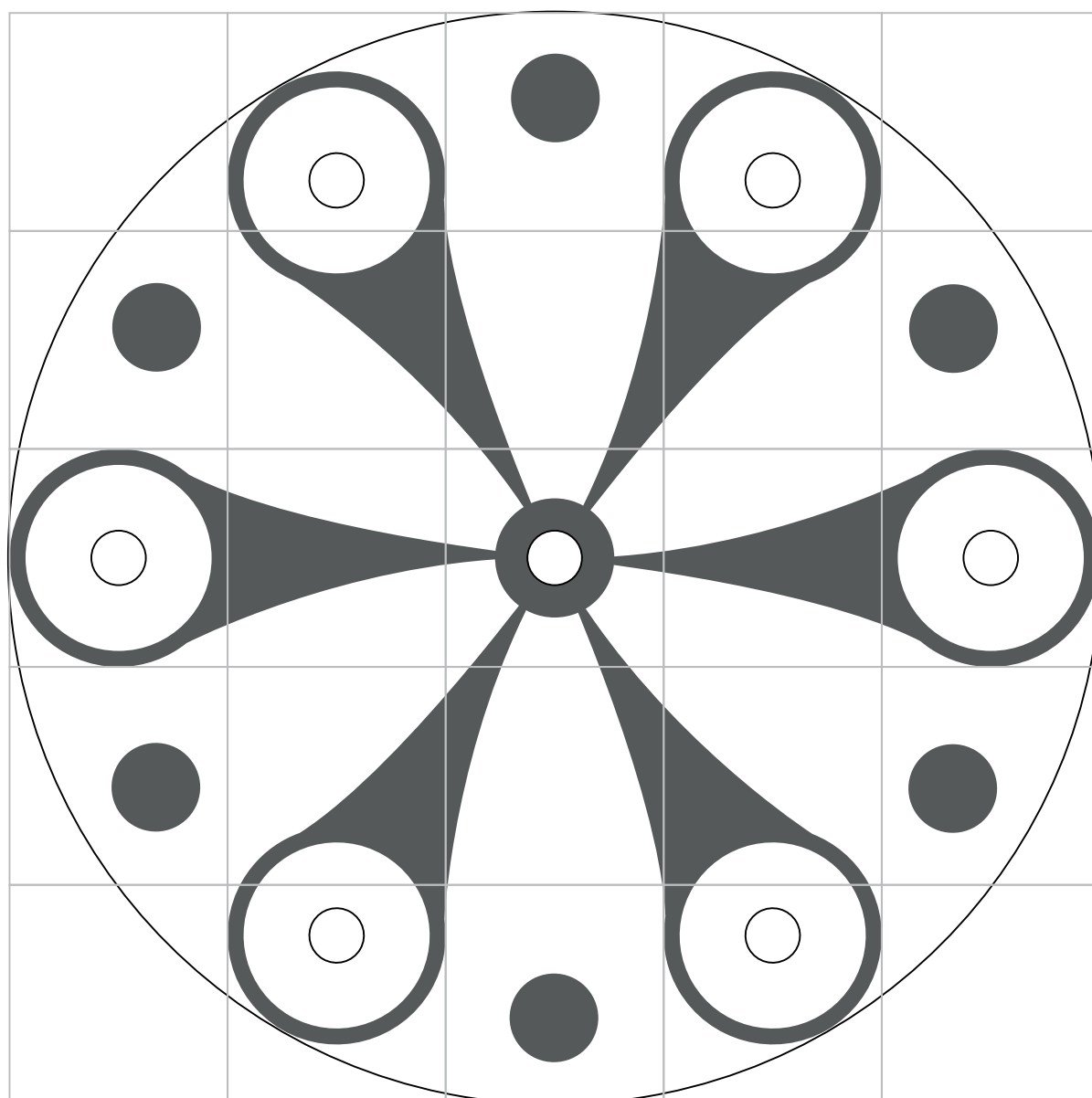


# Memo exhibition installation manual

## Version 1

30 July 2015



# Contents

	Page
1 Parts - Memo exhibition floor	3
2 Installation: 5x5	4
3 Electronics: 5x5	5
4 Installation: 3x5	6
5 Electronics: 3x5	7
6 Installation: 3x3	8
7 Electronics: 3x3	9
8 Installation: 1x5	10
9 Electronics: 1x5	11

This manual contains all information you need to assemble and install this product. Make sure you follow the instructions to install the product in the right order.

If you have any remarks or improvements, please contact us.

Have fun with the product!

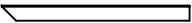
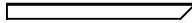
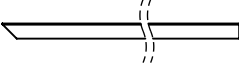
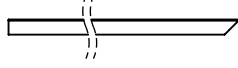
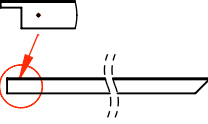
Yalp sports- & play equipment

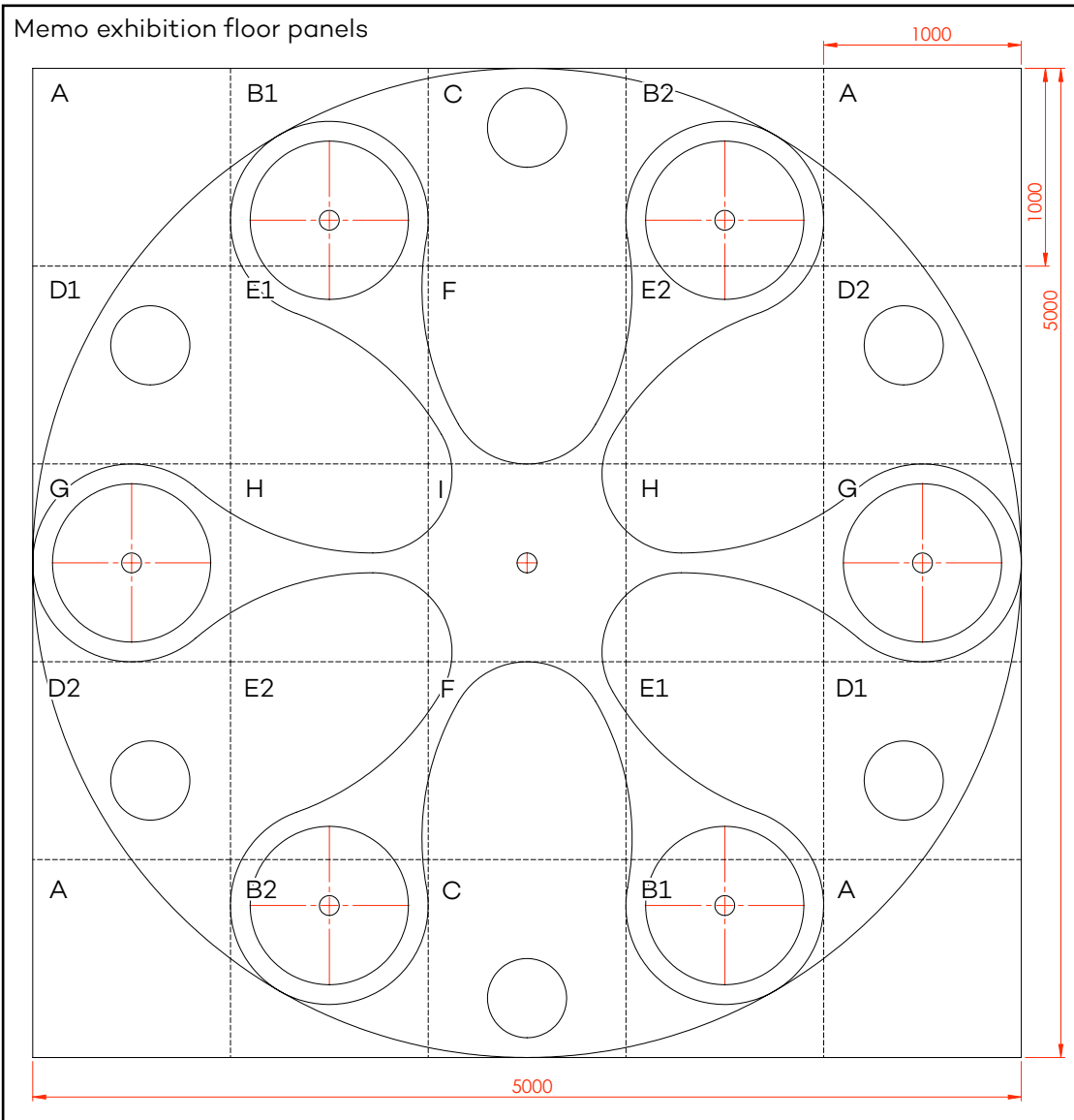
T: 0031 547 289 410

E: [info@yalp.nl](mailto:info@yalp.nl)



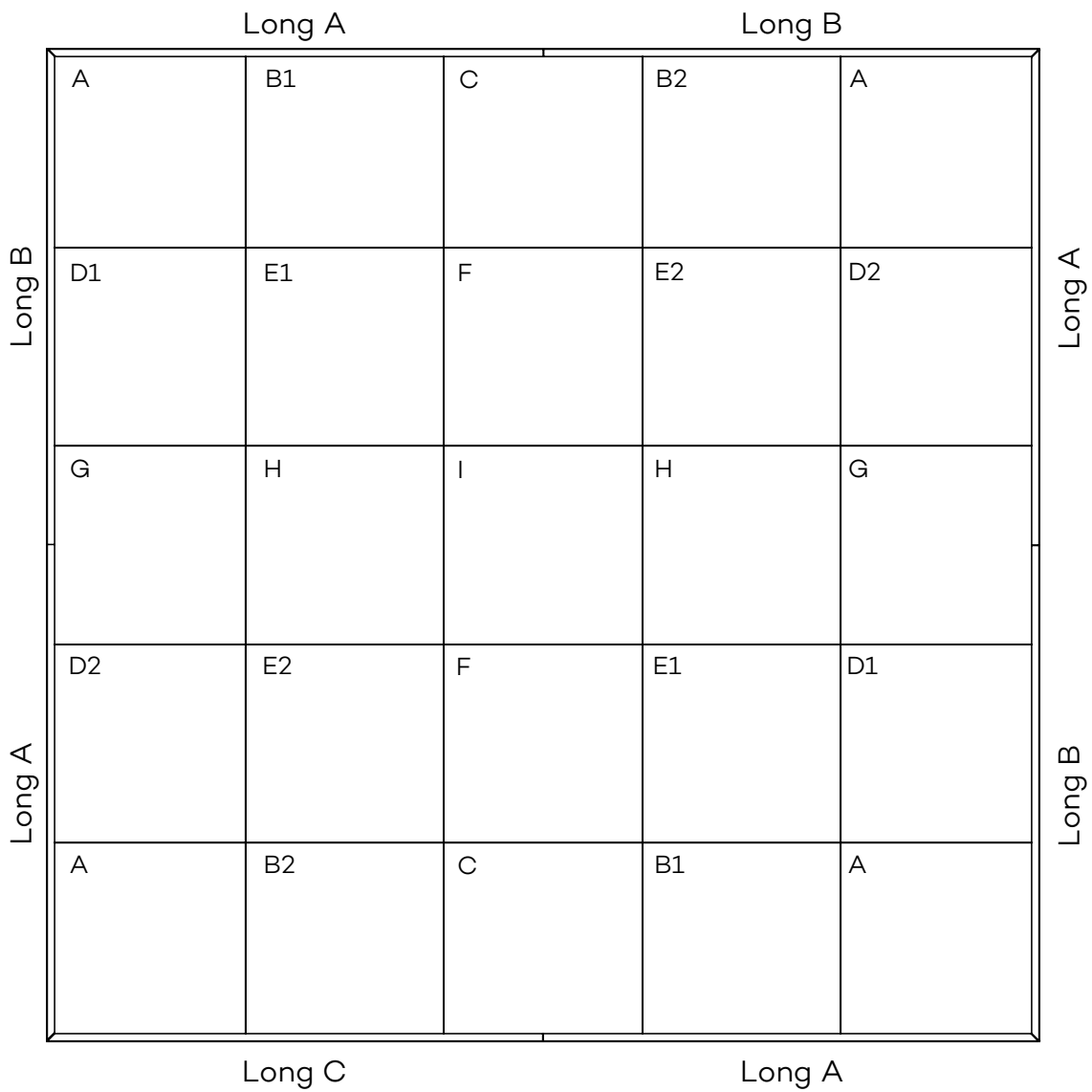
# 1 Parts - Memo exhibition floor

160-503	4 PCS	160-504	2 PCS	160-505	4 PCS	160-506	3 PCS	160-507	1 PCS
									
Short A 499mm		Short B 499mm		Long A 2499mm		Long B 2499mm		Long C 2499mm	



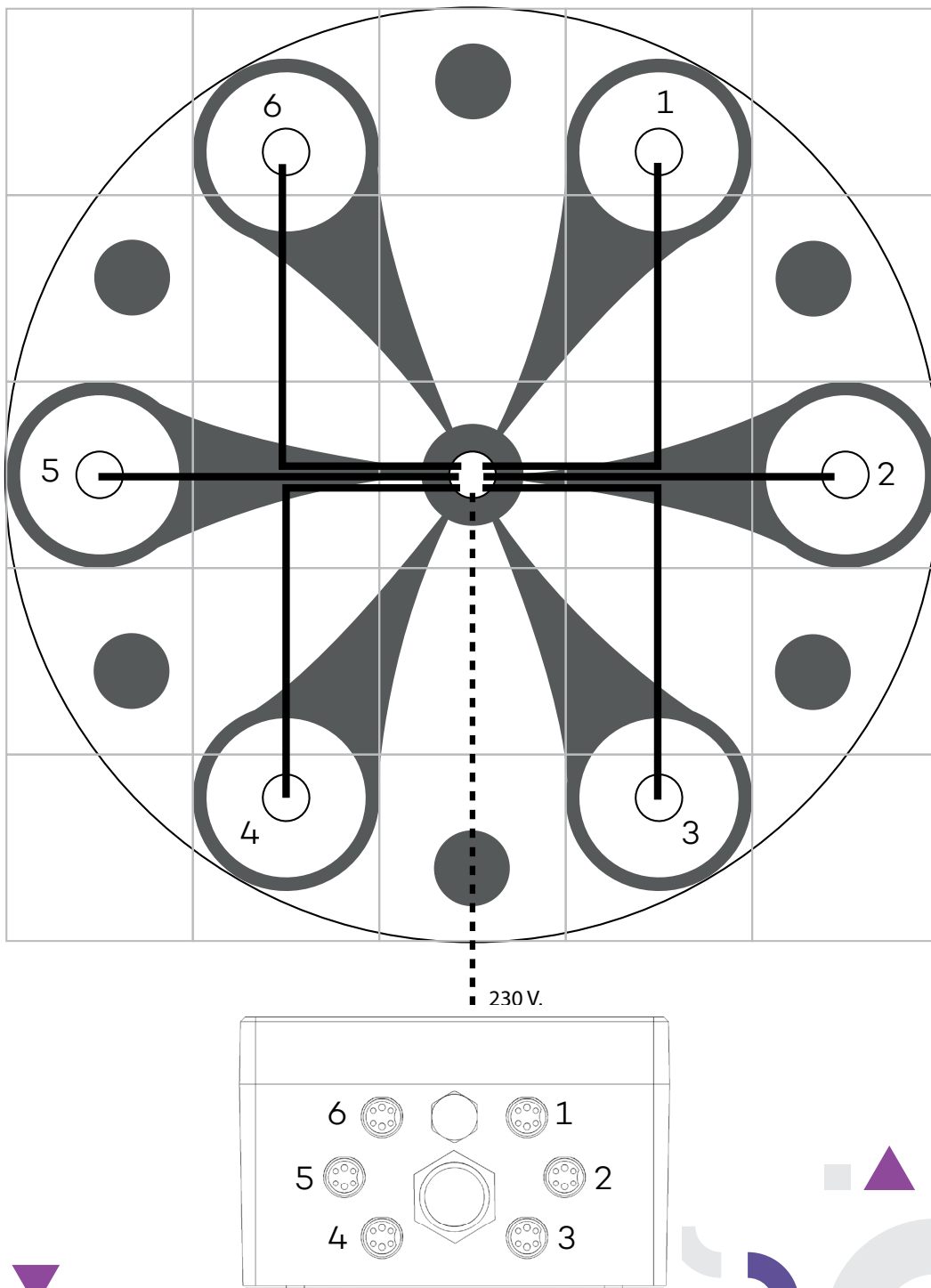
# 2 Installation: 5x5

160-505	4 PCS	160-506	3 PCS	160-507	1 PCS
Long A 2499mm		Long B 2499mm		Long C 2499mm	

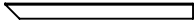
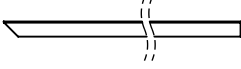
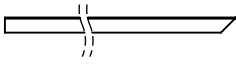



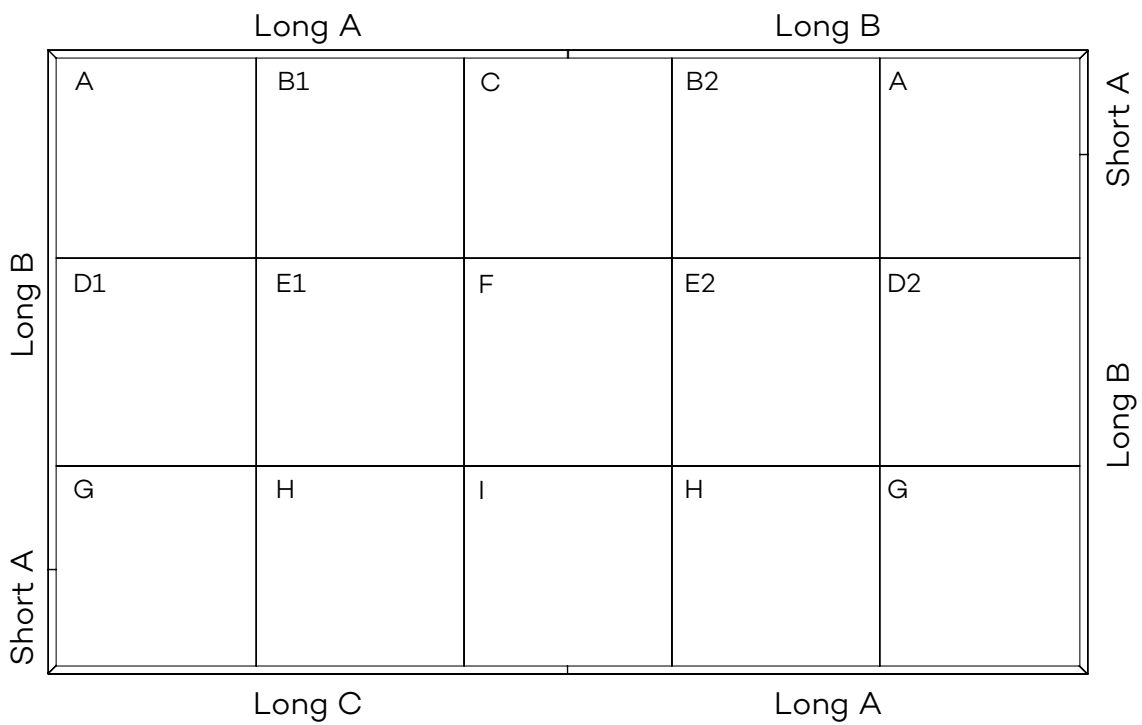
# 3 Electronics: 5X5

1. Make sure that the power is disconnected.
2. Connect the 6 data+power cables from the other posts to the yin computer. Be careful to connect the cables in the right order. See below.
3. Connect the power.
4. Hold the play button on the master post for about ten seconds to reboot the Memo.



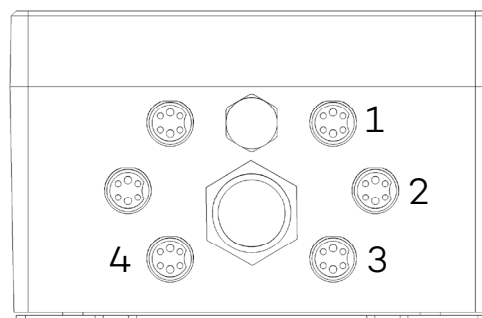
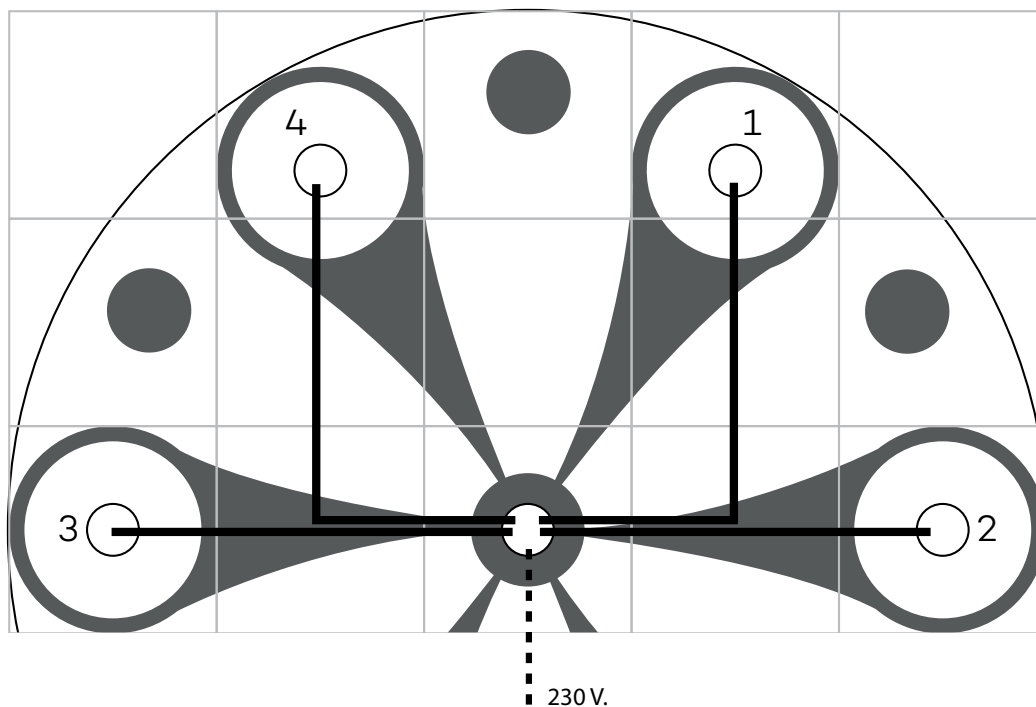
# 4 Installation: 3X5

160-503	2 PCS	160-505	2 PCS	160-506	3 PCS	160-507	1 PCS
							
Short A 499mm		Long A 2499mm		Long B 2499mm		Long C 2499mm	

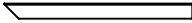
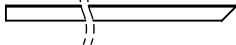
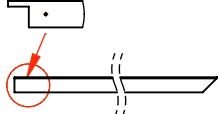


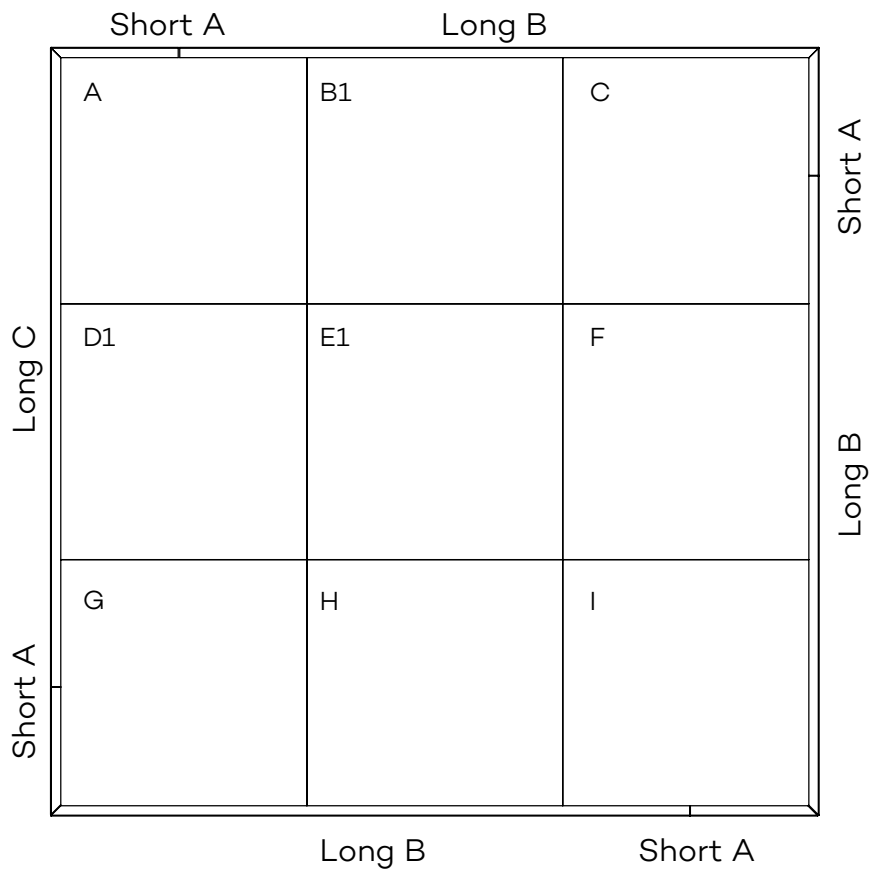
## 5 Electronics: 3x5

5. Make sure that the power is disconnected.
6. Connect the 4 data+power cables from the other posts to the yin computer. Be careful to connect the cables in the right order. See below.
7. Connect the power.
8. Hold the play button on the master post for about ten seconds to reboot the Memo.



# 6 Installation: 3X3

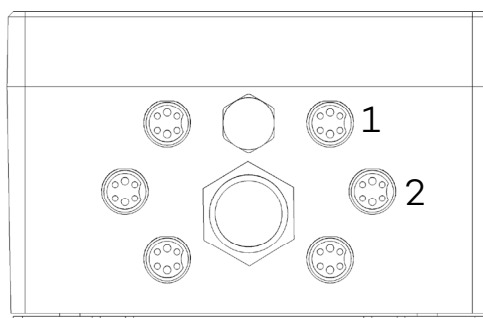
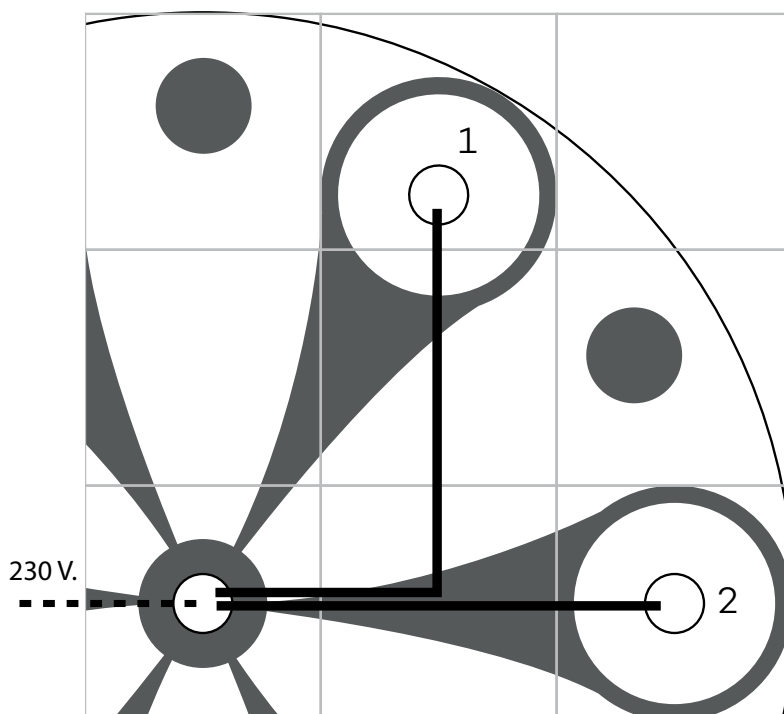
160-503	4 PCS	160-506	3 PCS	160-507	1 PCS
					
Short A 499mm		Long B 2499mm		Long C 2499mm	





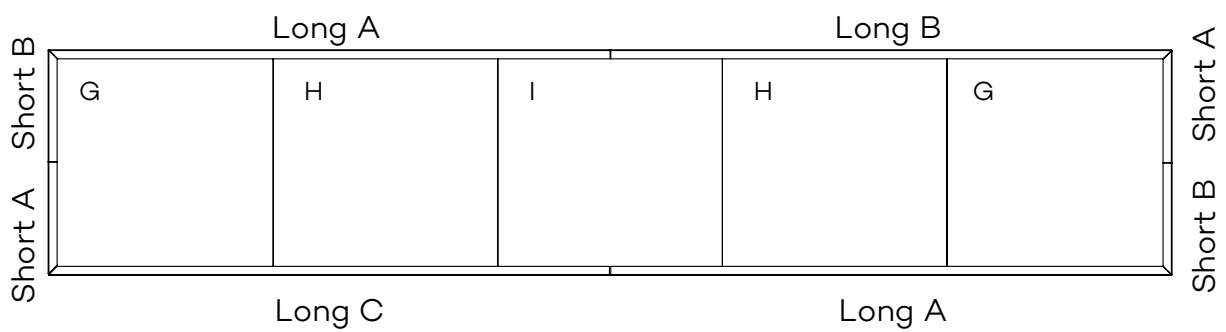
# 7 Electronics: 3x3

9. Make sure that the power is disconnected.
10. Connect the 2 data+power cables from the other posts to the yin computer. Be careful to connect the cables in the right order. See below.
11. Connect the power.
12. Hold the play button on the master post for about ten seconds to reboot the Memo.



# 8 Installation: 1x5

160-503	2 PCS	160-504	2 PCS	160-505	2 PCS	160-506	1 PCS	160-507	1 PCS
Short A 499mm		Short B 499mm		Long A 2499mm		Long B 2499mm		Long C 2499mm	



## 9 Electronics: 1x5

- 13.** Make sure that the power is disconnected.
- 14.** Connect the 2 data+power cables from the other posts to the yin computer. Be careful to connect the cables in the right order. See below.
- 15.** Connect the power.
- 16.** Hold the play button on the master post for about ten seconds to reboot the Memo.

