

# CROOC 0300



5 - 14 years



19 kids



42,2 m<sup>2</sup>



## Material specification

- Stainless steel structure of 80 x 80 mm profile,
- Platforms and climbing walls made of durable anti-slip and waterproof HPL plate,
- Roofs and side panels and seats made of durable HPL plate, resistant to weather conditions,
- Tubular sled made of stainless steel,
- Stainless steel tube slide,
- Moving elements made of durable HPL plate, resistant to weather conditions,
- Spherical windows made of polycarbonate,
- Steel ropes in polypropylene braid, connected with durable plastic elements, stainless steel or aluminum,
- Ladders made of steel ropes in polypropylene braid and rungs made of synthetic material,
- Stainless steel bars and handrails,
- Screws covered with plastic caps and/or stainless steel screws,
- Safe end caps on top of the structure made of rubber or polypropylene,



### Facilitating disability



easy access



shelters



### Intellectual development



manipulation



sight



thinking



### Physical development



hiding



sliding



climbing





**2**  
number of towers



**1**  
number of slides



**1**  
number of roofs



**3**  
number of interactive elements



**4**  
number of activity elements

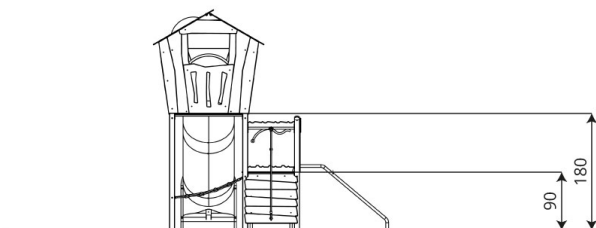
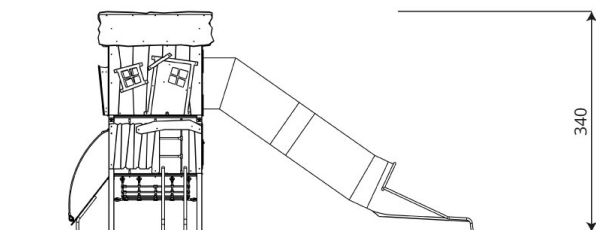
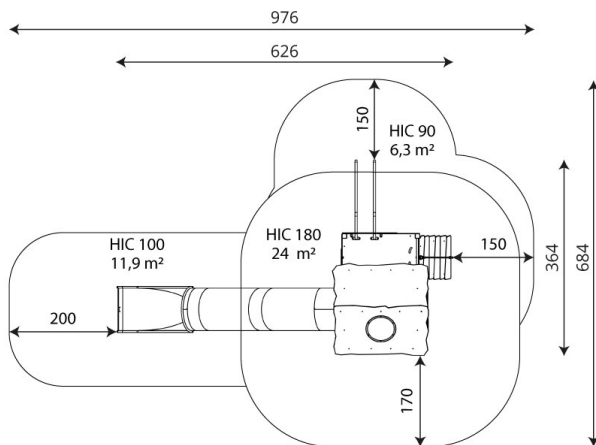
## Product technical sheet

# CROOC 0300

### Product data

Length	626 cm
Width	364 cm
Total height	340 cm
Age group	5 - 14 years
Number of users	19 kids
Safety zone	42,2 m <sup>2</sup>
Free fall height	180 cm
The height of the platforms	90, 180 cm
In accordance with norm EN	1176-1:2017
Weight of the heaviest part	220 kg
Dimensions of the largest part	550x110x86 cm
Availability of spare parts	YES
Installation time	5 h

Data is subject to change without prior notice.



### Additional information

- equipment adapted for the disabled; intended for public playgrounds;
- equipment has a certificate issued by an accredited entity or a declaration of conformity;
- no sharp edges or chinks that would pose a danger of jimmieing the head, fingers or any other body parts;
- anchoring on flat surface, 80/70 cm deep;
- slide should not be installed southwards;
- render is for reference only, the actual appearance of the equipment and its color may vary;

### Guarantee

**30**

30 year guarantee - Structural strength of steel and stainless steel components

**15**

15 year guarantee - Structural failure of steel and stainless steel, for dynamic equipment

**10**

10 year guarantee - Structural failure of high density polyethylene and high pressure laminates components

**5**

5 year guarantee - Corrosion of stainless steel and hot dip galvanized and powder coated components; against bark beetles and rot in case of wooden structural elements

Detailed information in the guarantee card

Vinci Group Sp. z o.o.  
Seminarnyja 9 Street  
99-400 Łowicz

VAT: 534-250-14-46  
PHONE: +48 42 203 24 99 ext. 26  
M: +48 793 404 991



biuro@vinci-play.com  
info@vinci-play.com  
[www.vinci-play.com](http://www.vinci-play.com)

## Surfaces according to EN 1176-1:2017

	Description (mm)	Layer thickness (cm)	Maximum fall heights (cm)
Turf/ top layer of soil (A,B,C)	-	-	≤100
bark (A,C)	Particle size from 20 to 80	30	≤200
		40	≤300
woodchips (A,C)	Particle size from 5 to 30	30	≤200
		40	≤300
sand or gravel (A,C)	Particle size from 0,25 to 8	30	≤200
		40	≤300
synthetic attested (A,B,C)	Tested according to EN 1177		180

## Product technical sheet

# CROOC 0300

### Amount of safe surface corresponding with free fall height:

HIC 90	6,3 m <sup>2</sup>
HIC 100	11,9 m <sup>2</sup>
HIC 180	24,0 m <sup>2</sup>

Data is subject to change without prior notice.

