

WOODEN WD1439



3 - 14 years



17 kids



29,9 m²



Material specification

- The structure is made of a durable, moisture-resistant and low-temperature recycled composite,
- Platforms and climbing walls made of durable anti-slip and waterproof plywood or HPL plate,
- Structure for platforms made of hot-dip galvanized and powder coated steel;
- The covers are made of recycled HDPE panel, resistant to weather conditions
- Tubular sled made of stainless steel,
- Handling panels made of recycled HDPE panel, resistant to weather conditions,
- Climbing stones made of recycled HDPE plate, resistant to weather conditions,
- Steel ropes in polypropylene braid, connected with durable plastic elements, stainless steel or aluminum,
- Ladders made of steel ropes in polypropylene braid and rungs made of synthetic material,
- Calibrated stainless steel chains, preventing fingers entrapment,
- Stainless steel bars, ladders and handrails,
- Screws covered with plastic caps and/or stainless steel screws,
- Safe end caps made of polypropylene,



Intellectual development



manipulation



thinking



Physical development



pull-up



passage



climbing





1
number of
towers



2
number of
interactive
elements



7
number of
activity elements

Product technical sheet

WOODEN WD1439

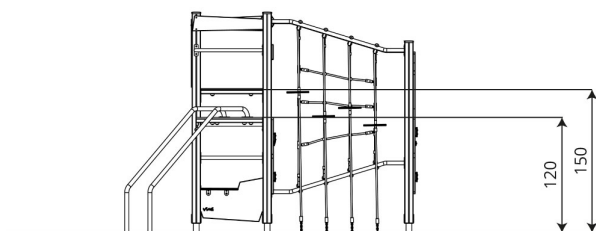
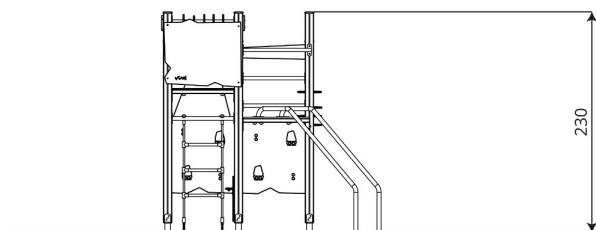
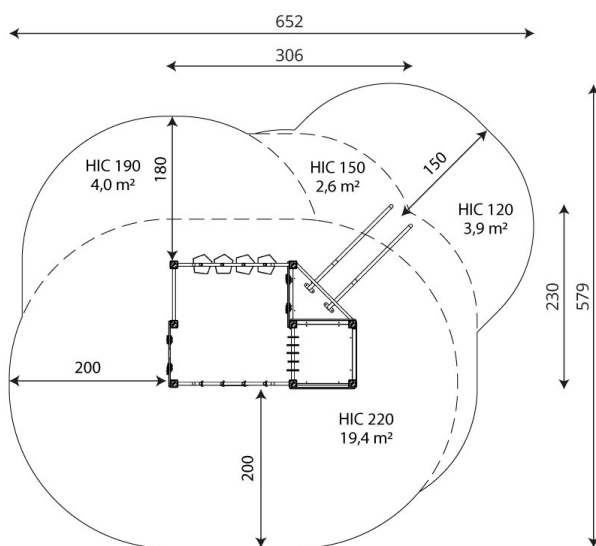
Product data

Length	306 cm
Width	230 cm
Total height	230 cm
Age group	3 - 14 years
Number of users	17 kids
Safety zone	29,9 m2
Free fall height	220 cm
The height of the platforms	120, 150 cm
In accordance with norm EN	1176-1:2017
Weight of the heaviest part	30 kg
Dimensions of the largest part	233x69x15 cm
Availability of spare parts	YES
Installation time	6 h
Color options	

Data is subject to change without prior notice.

Additional information

- equipment intended for public playgrounds;
- equipment has a certificate issued by an accredited entity or a declaration of conformity;
- no sharp edges or chinks that would pose a danger of jimmieing the head, fingers or any other body parts;
- anchoring on flat surface, 80/70/60 cm deep;
- render is for reference only, the actual appearance of the equipment and its color may vary;



Guarantee

30

30 year guarantee - Structural strength of steel and stainless steel components

15

15 year guarantee - Structural failure of steel and stainless steel, for dynamic equipment

10

10 year guarantee - Structural failure of high density polyethylene and high pressure laminates components

5

5 year guarantee - Corrosion of stainless steel and hot dip galvanized and powder coated components; against bark beetles and rot in case of wooden structural elements

Detailed information in the guarantee card



Surfaces according to EN 1176-1:2017

	Description (mm)	Layer thickness (cm)	Maximum fall heights (cm)
Turf/ top layer of soil (A,B,C)	-	-	≤100
bark (A,C)	Particle size from 20 to 80	30	≤200
		40	≤300
woodchips (A,C)	Particle size from 5 to 30	30	≤200
		40	≤300
sand or gravel (A,C)	Particle size from 0,25 to 8	30	≤200
		40	≤300
synthetic attested (A,B,C)	Tested according to EN 1177		220

Product technical sheet

WOODEN WD1439

Amount of safe surface corresponding with free fall height:

HIC 120	3,9 m ²
HIC 150	2,6 m ²
HIC 190	4,0 m ²
HIC 220	19,4 m ²

Data is subject to change without prior notice.

