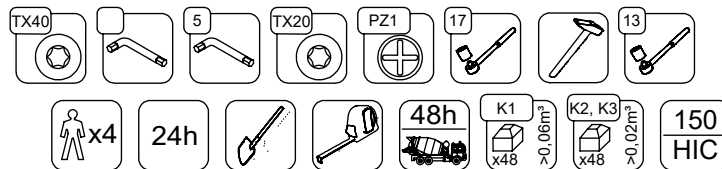
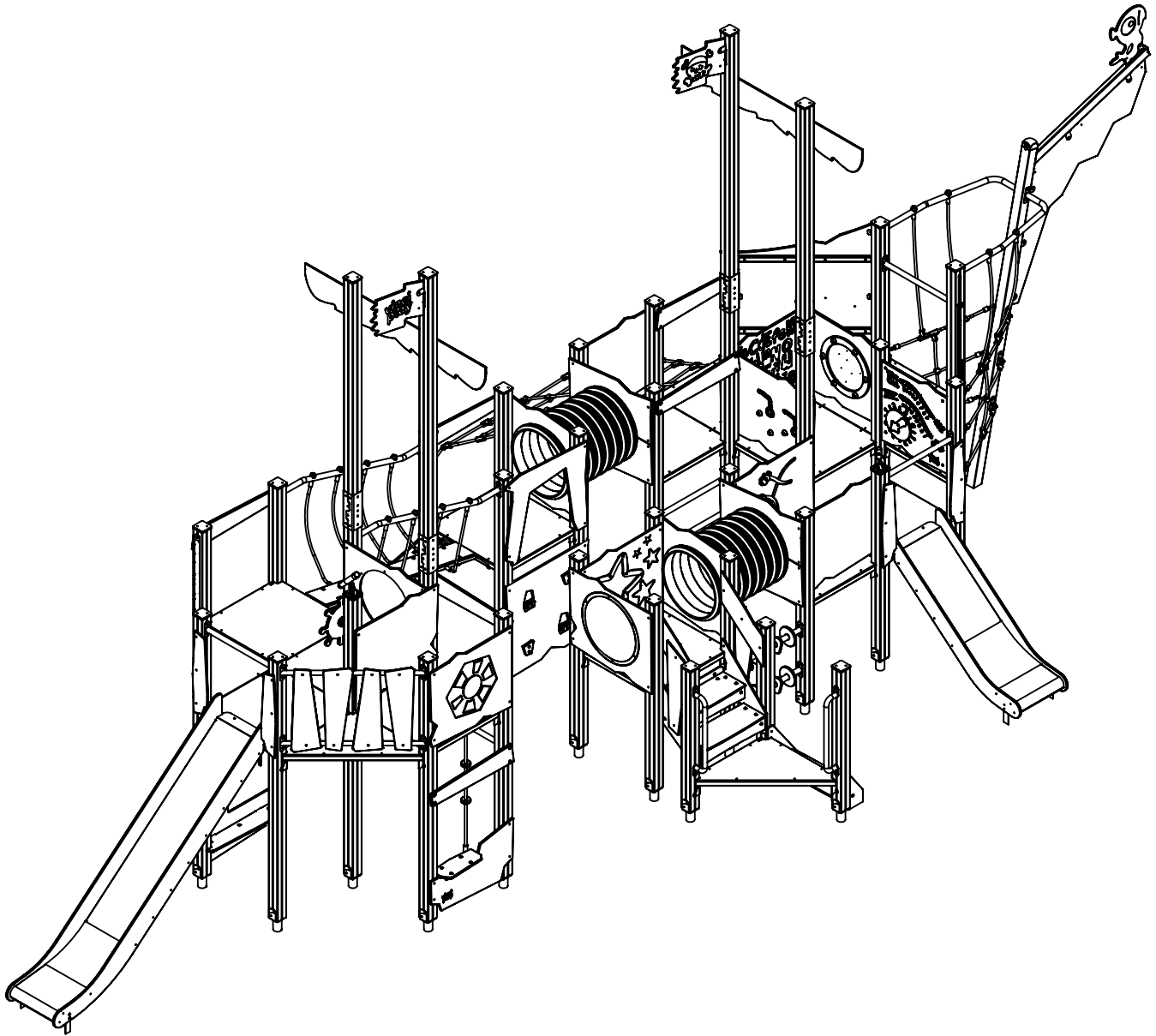
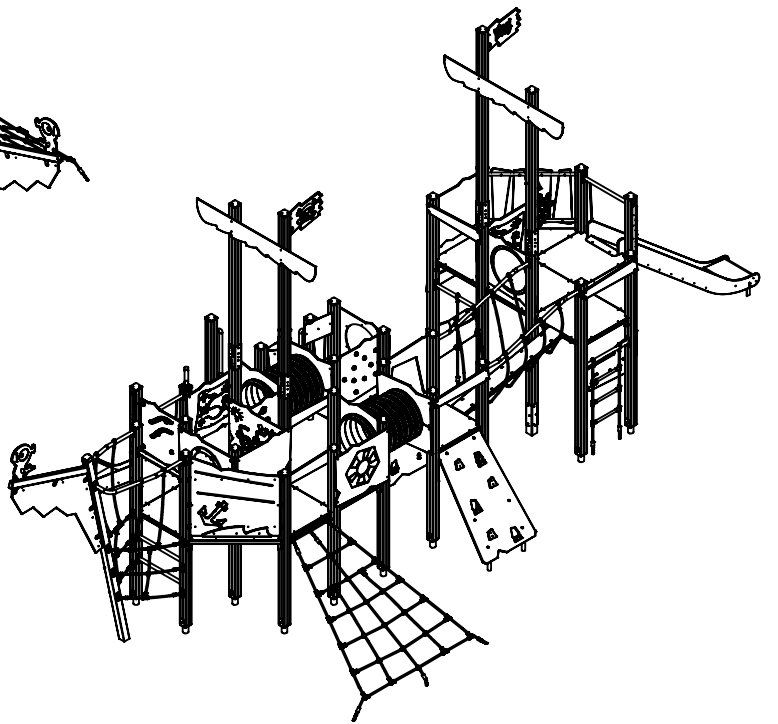
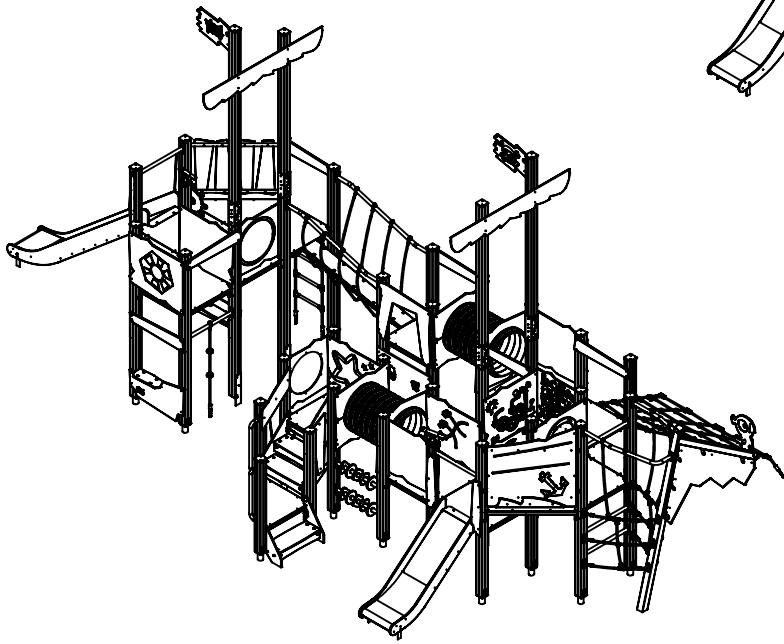
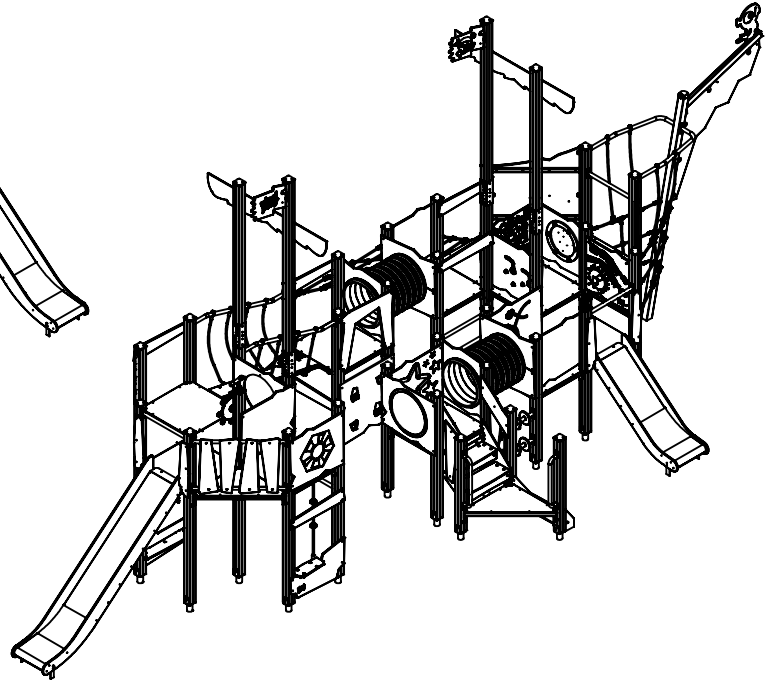
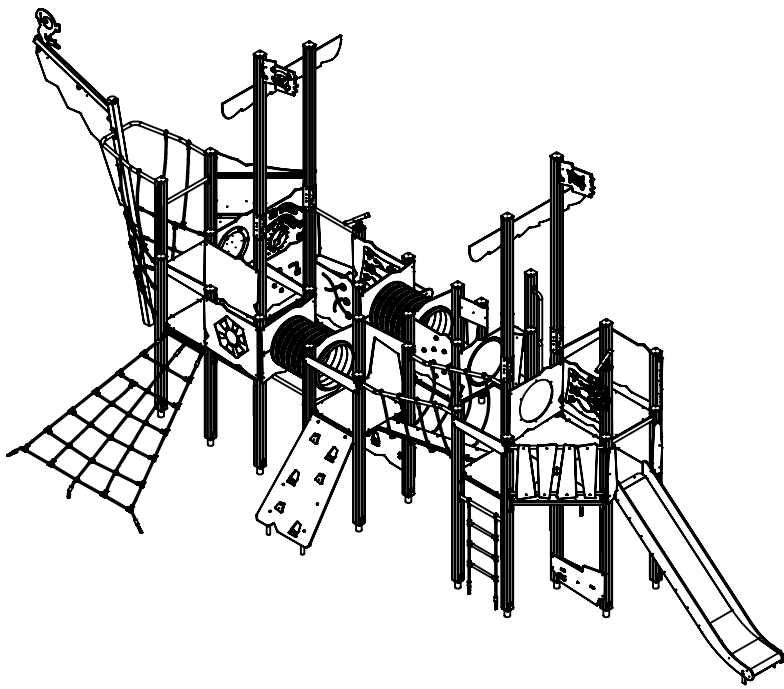


# WD1581



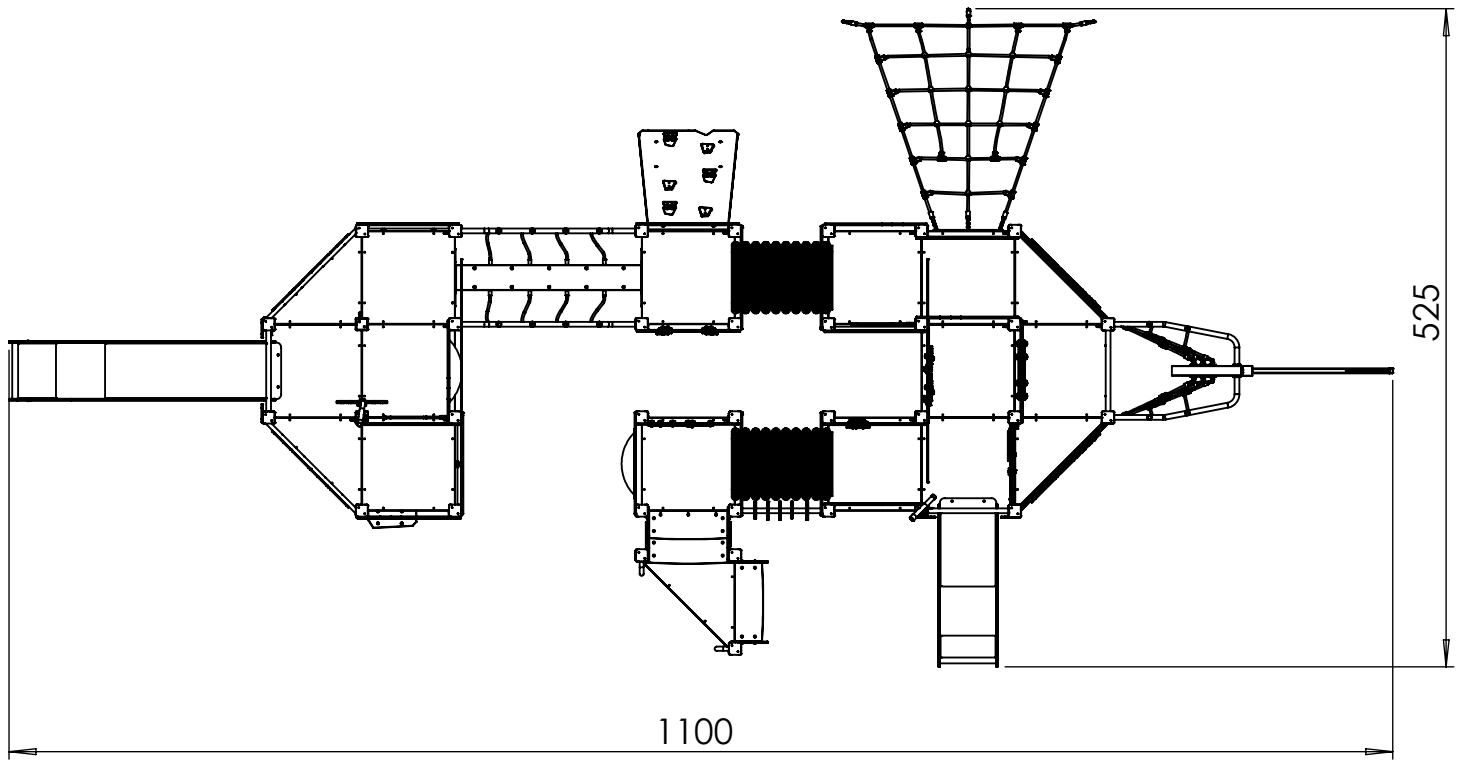
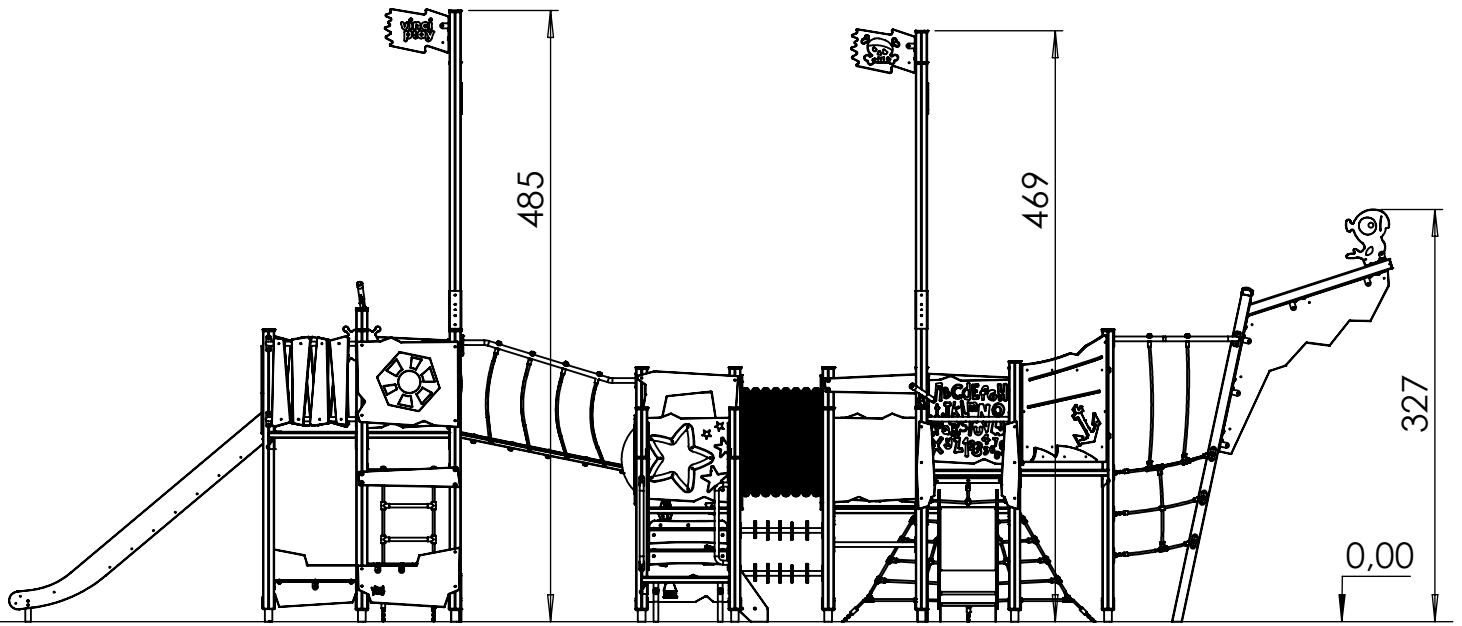
v010  
19.07.2022  
A.H.  
[cm]

vinci  
play



[cm]

vinci  
play



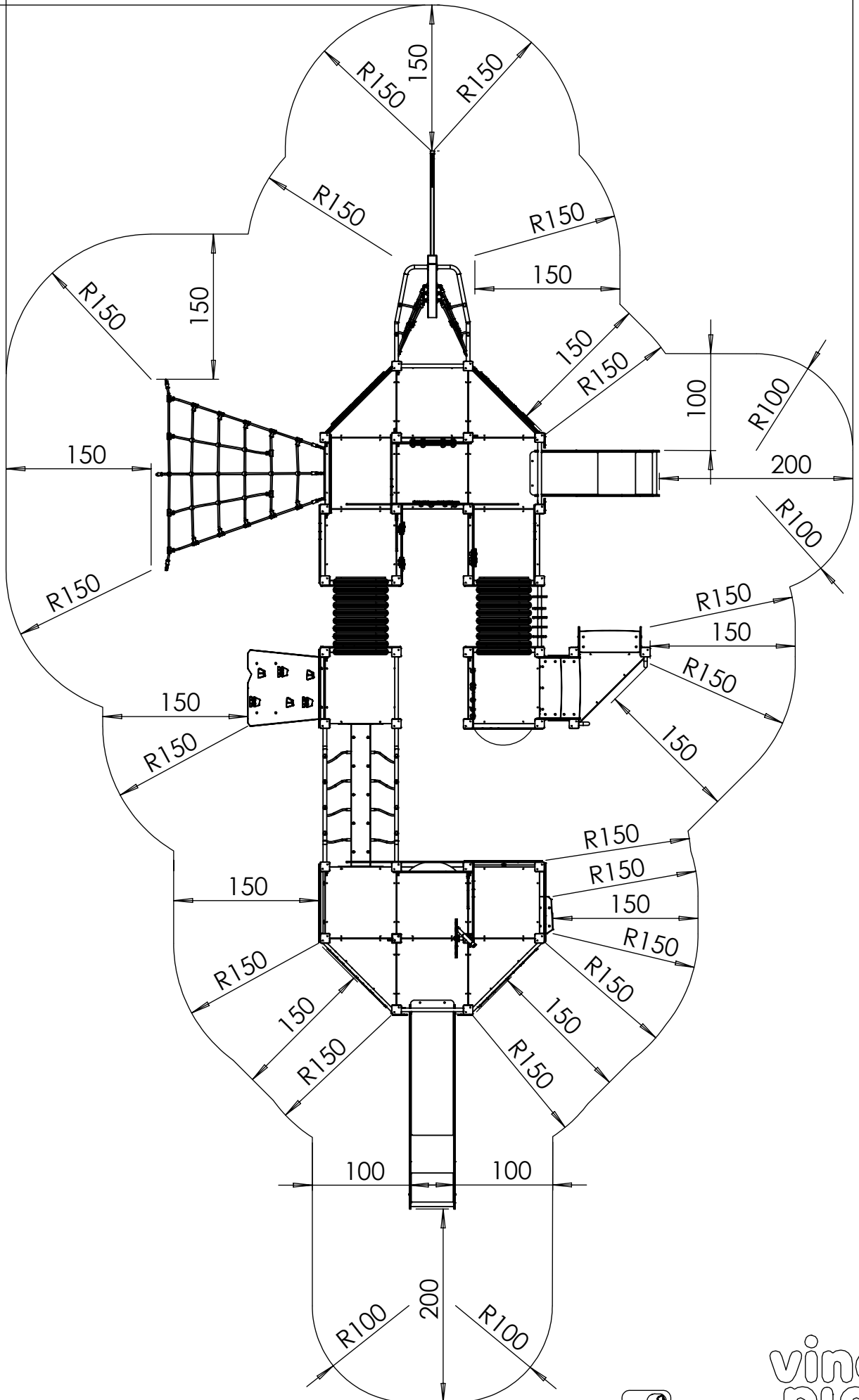
[cm]



vinci  
play

875

1450

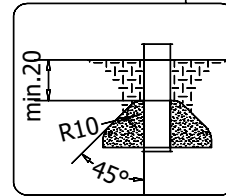
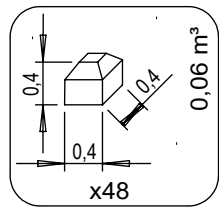
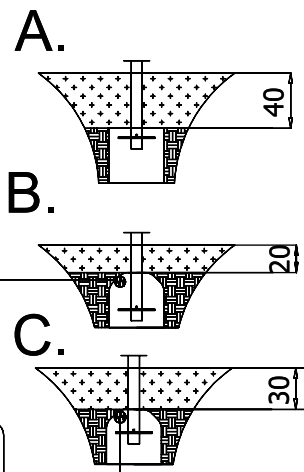
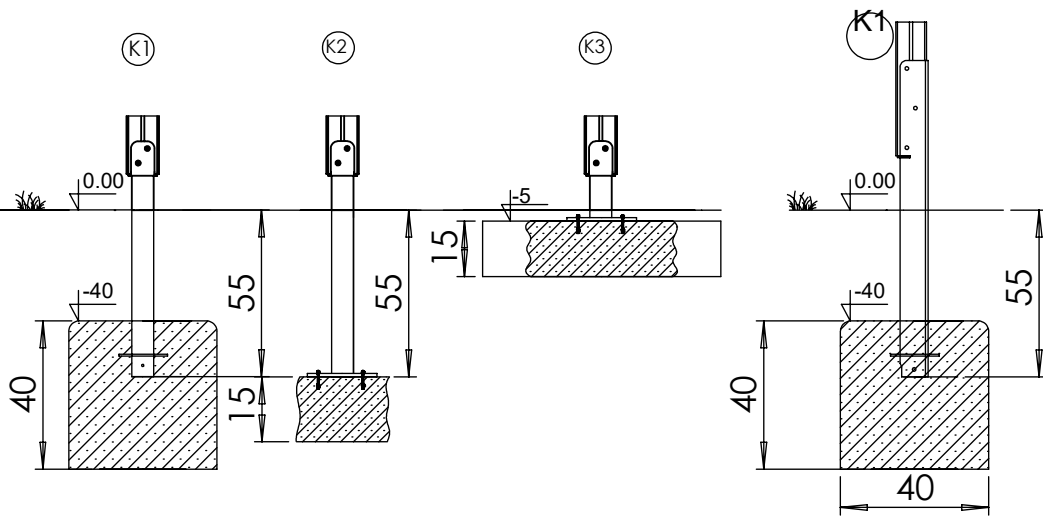


[cm]

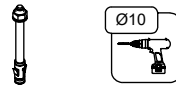


vinci  
play

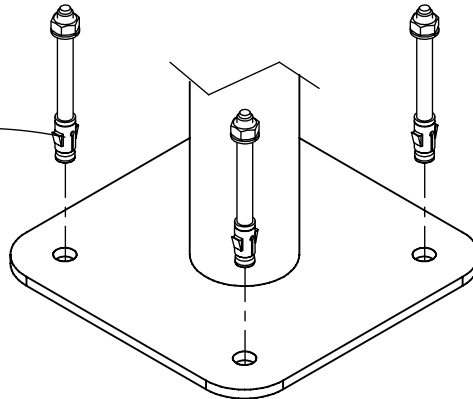




128x M10x120 (K2)  
128x M10x120 (K3)



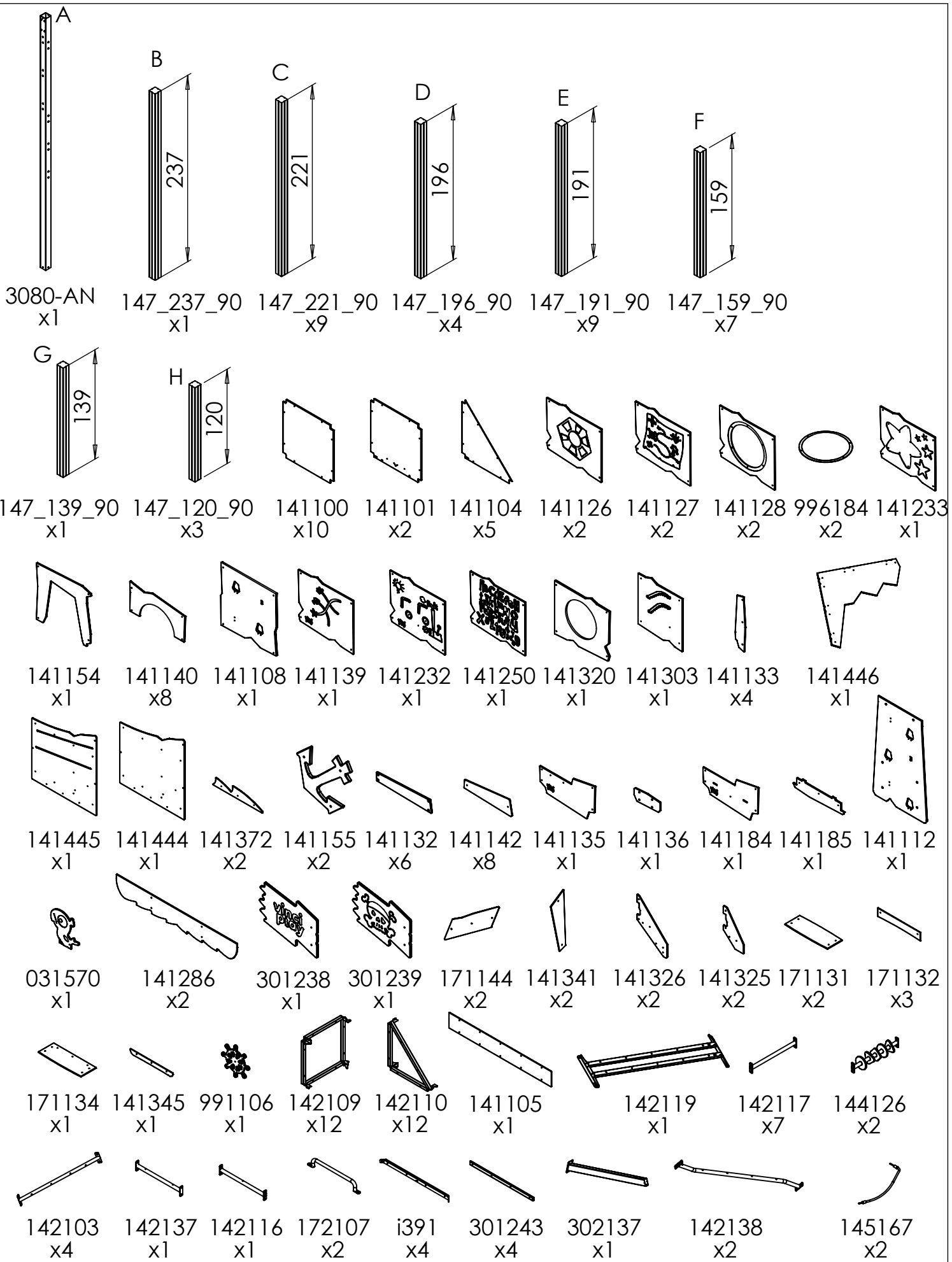
**NOT INCLUDED**



[cm]



vinci  
play



[cm]

vinci  
play



145168  
x2



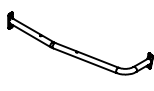
145169  
x2



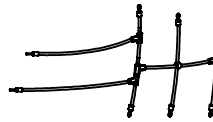
145170  
x2



302141  
x1



302142  
x1



305111  
x1



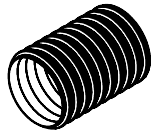
305112  
x1



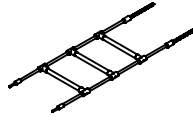
i181  
x8



144245  
x1



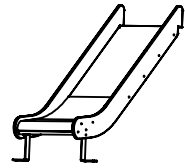
996143  
x2



145102  
x1



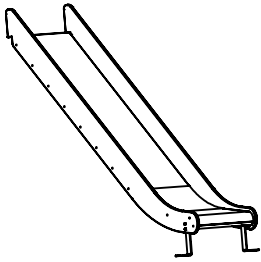
145237  
x1



994103  
x1



144247  
x2



994105  
x1



b341  
x1

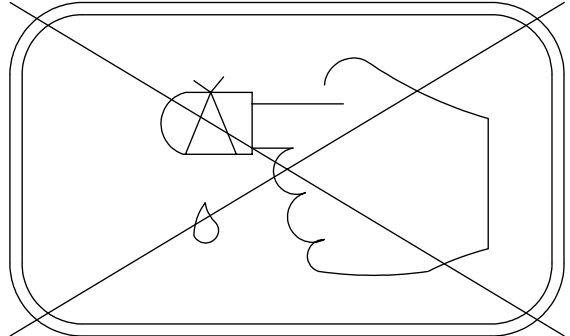
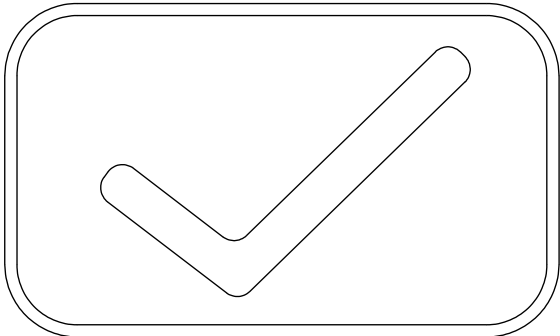
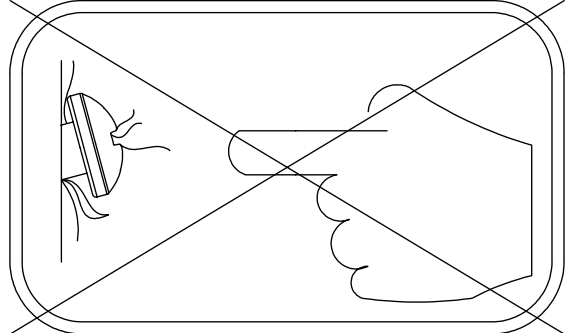
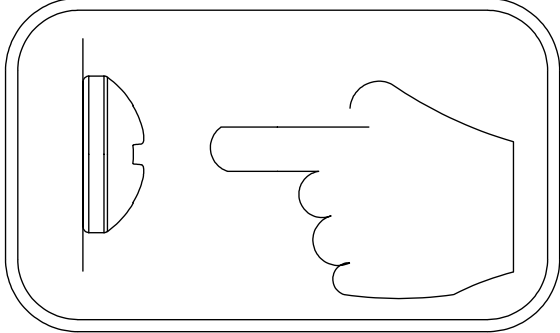
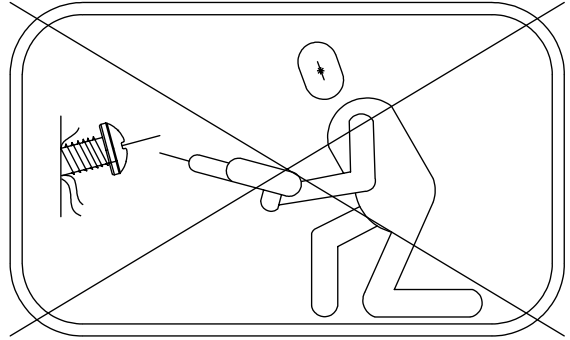
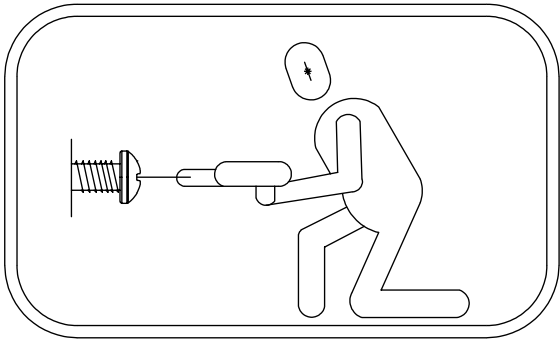
K1	K2	K3	K1	K1,K2	K3	K1,K2	K3
142102 x31	142108 x31	142100 x31	142101 x4	p78 x4	b219 x4	992100 x2	992104 x2



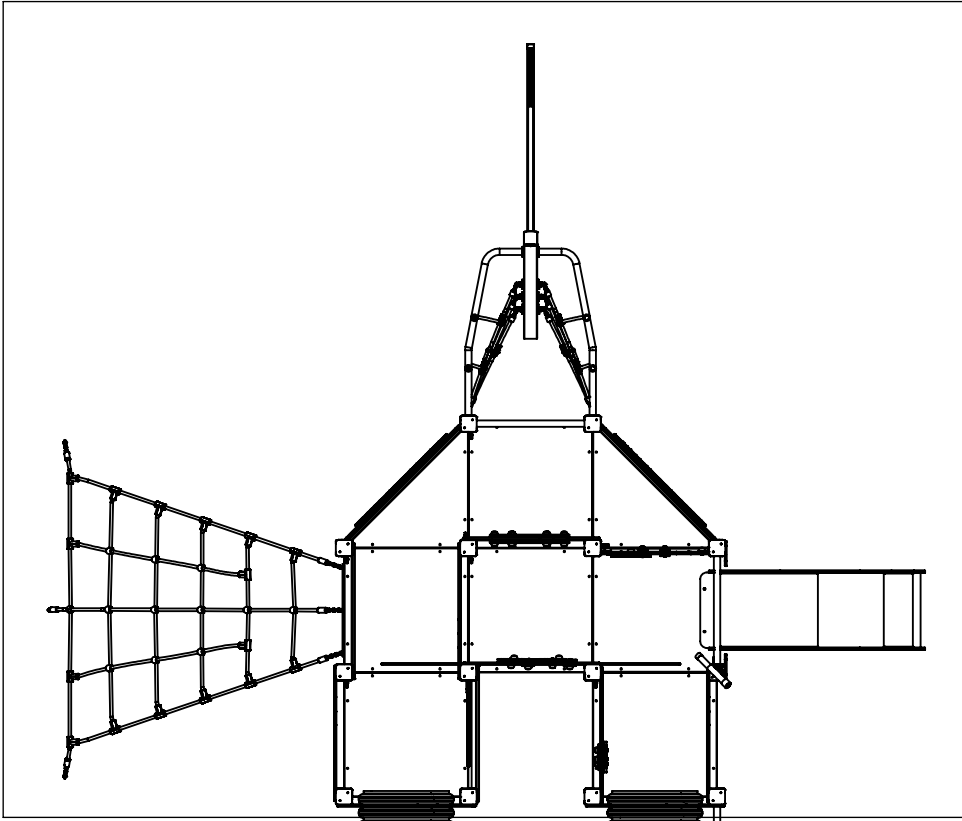
Qty.	ST/INOX
32	DRUT (K1,K23)
616	8x50 sxi
4	6x80 sxt
20	10x25 ikl
2	6x50 sxs
16	10 pp
2	6x50 sxs
6	30e030
1	i076
2	E34 (K1,K3)
2	E35 (K2)
2	i030
1	E150
1	E10
1	E88 (K2,K3)
4	i128
2	WD2
1	WD14-1
1	WD14-2
2	WD52 (K2,K3)
3	WD14-4
1	V001

Qty.	PLYWOOD/HDPE
1	WD72
9	WD74
7	WD76
4	c080
2	CE9
1	WD17
1	WD19
2	WD28 (S1)
2	WD113 (S6)
1	CE6
1	WD42
1	PS52
1	CE8
1	WD40
1	WD112
1	CE83
1	WD37
1	WE125
2	WE126
7	WD213
3	WD97
2	WD105
2	WD100
1	WD91
1	WD103
6	WD50
32	WD1
2	c002

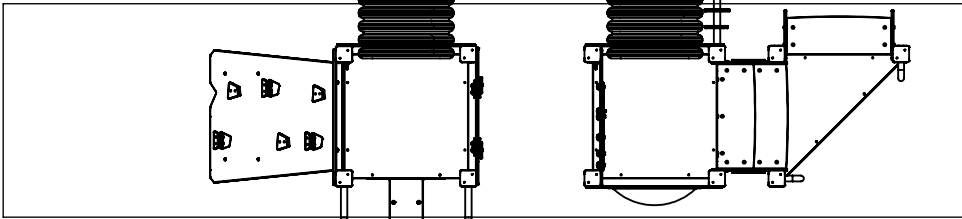
Qty.	HPL
1	WD73
9	WD75
7	WD77
4	CL60
2	CL9
1	WD18
1	WD20
2	WD29 (S1)
2	WD114 (S6)
1	CL6
1	WD43
1	PH52
1	CL8
1	WD41
1	WD137
1	CL83
1	WD38
1	WL125
2	WL126



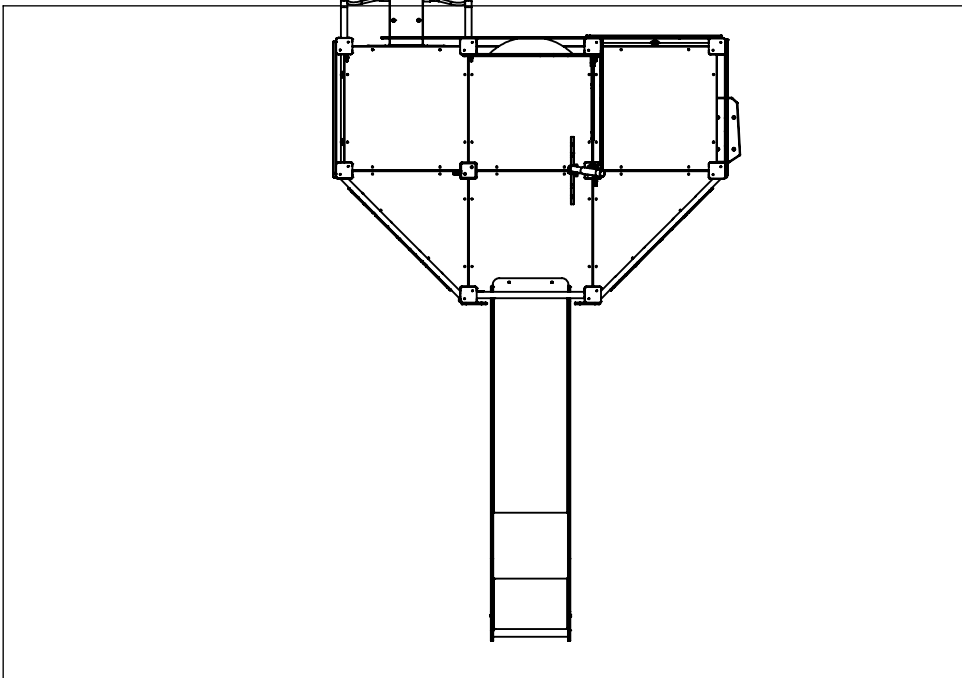
A



B

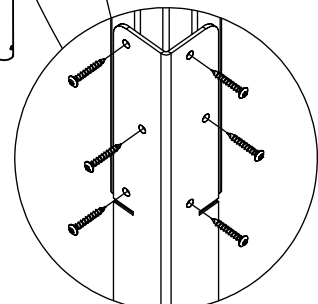
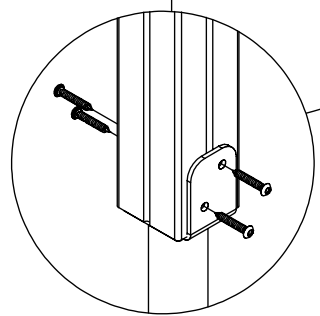
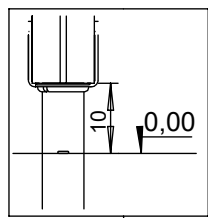
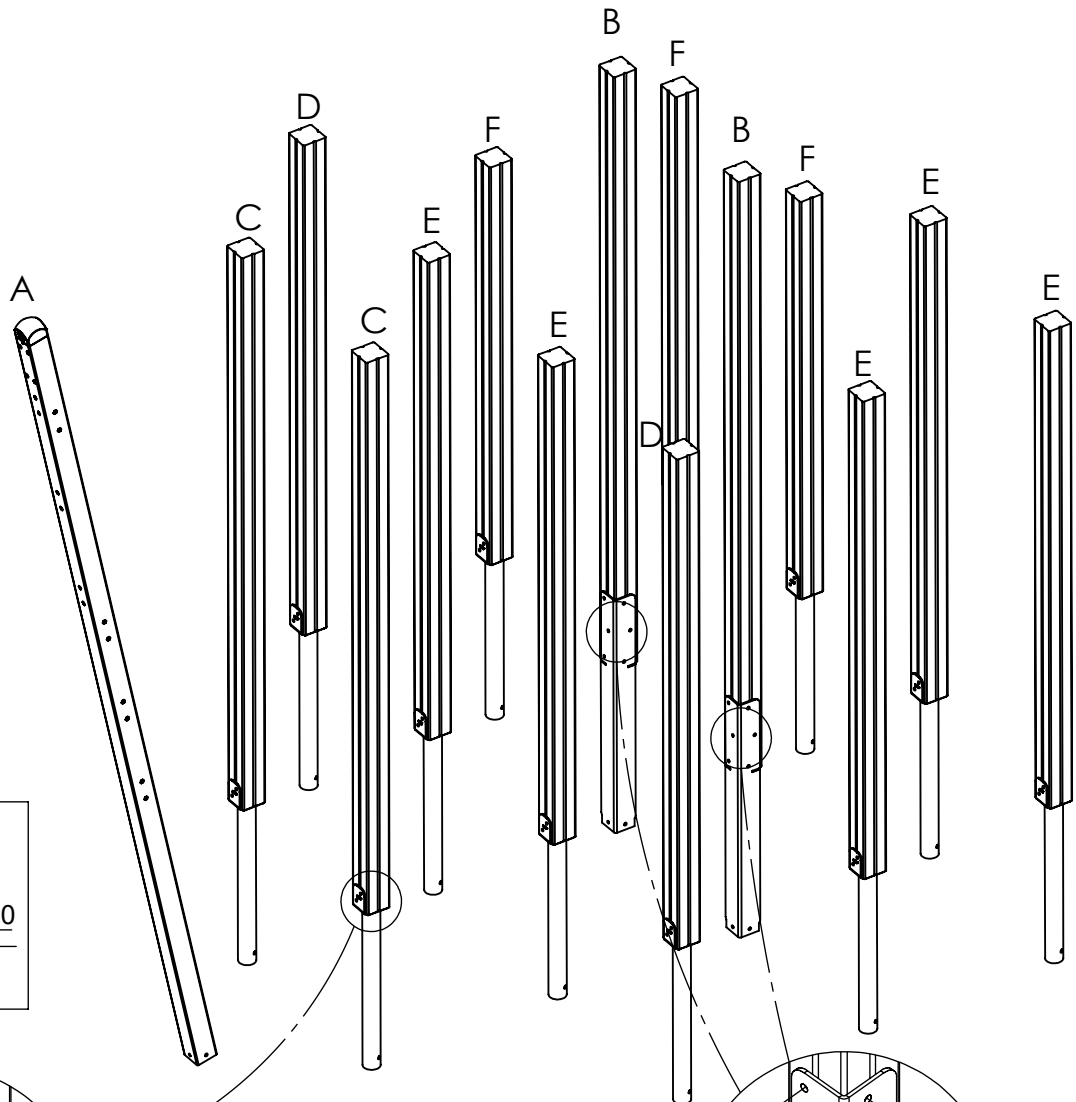
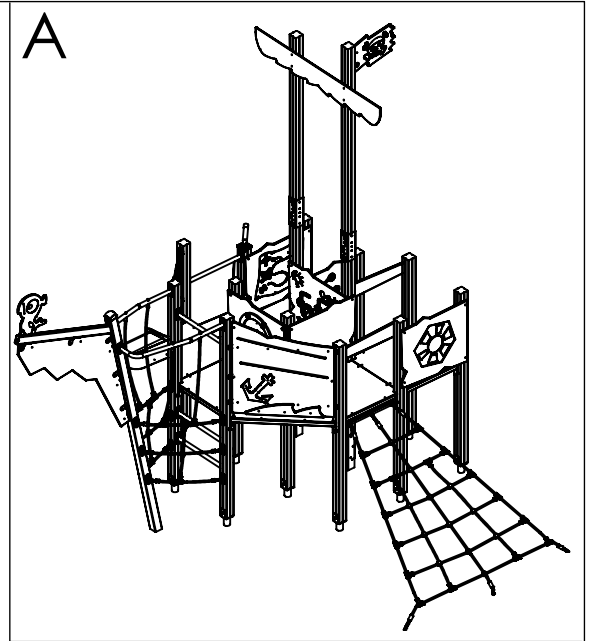


C



[cm]

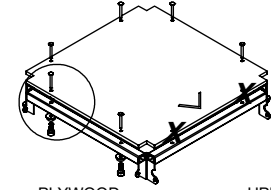
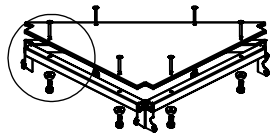
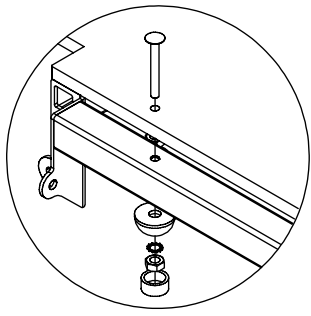
vinci  
play



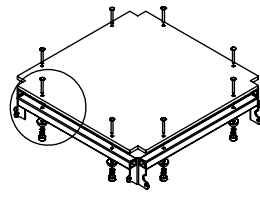
[cm] 48x 8x50sxi

12x 8x50sxi

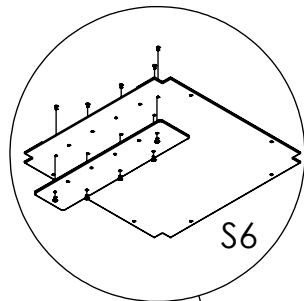
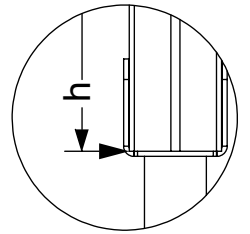
vinci play



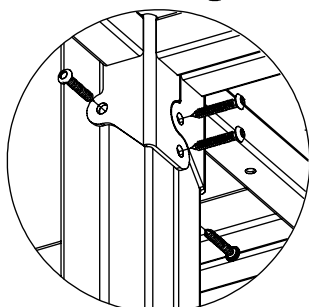
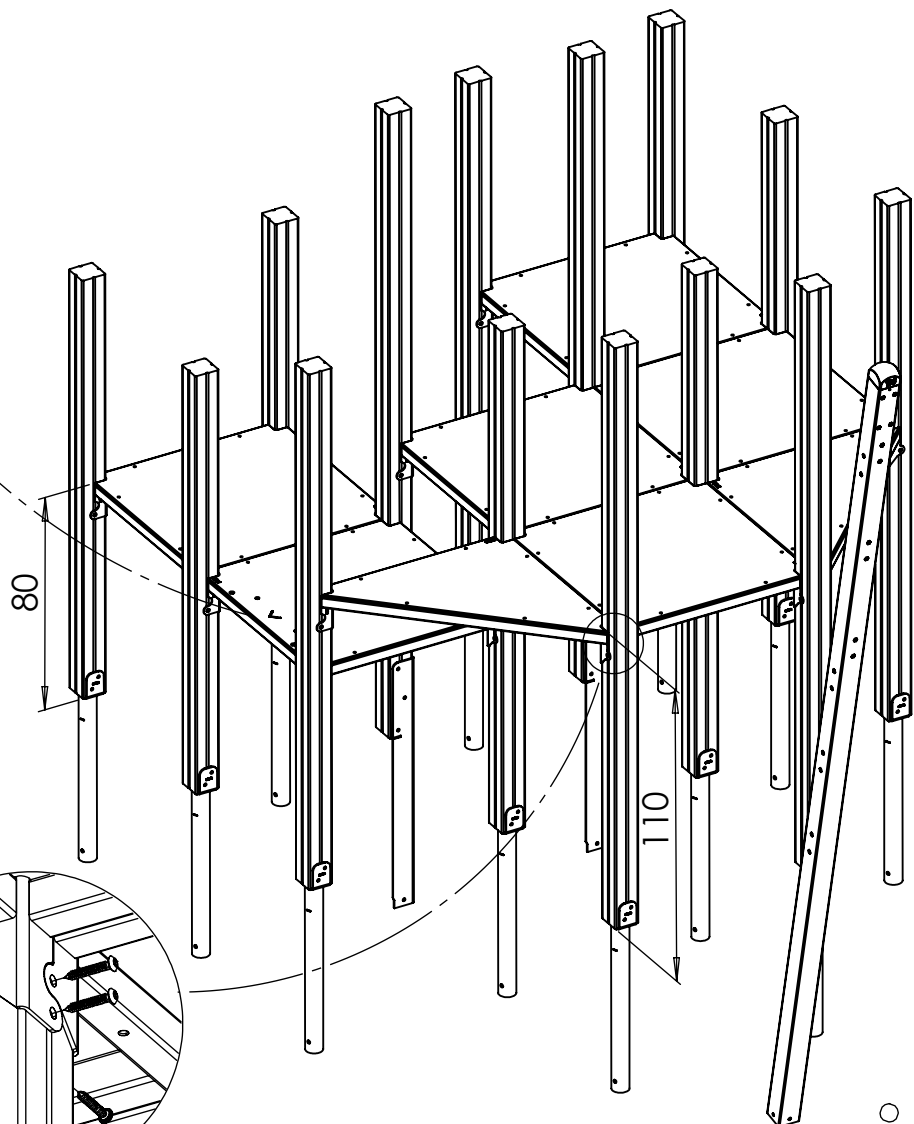
4x PLYWOOD WD74 ○ HPL WD75



4x PLYWOOD WD76 ○ HPL WD77



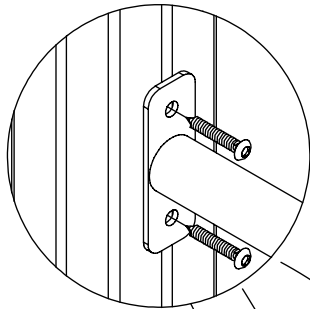
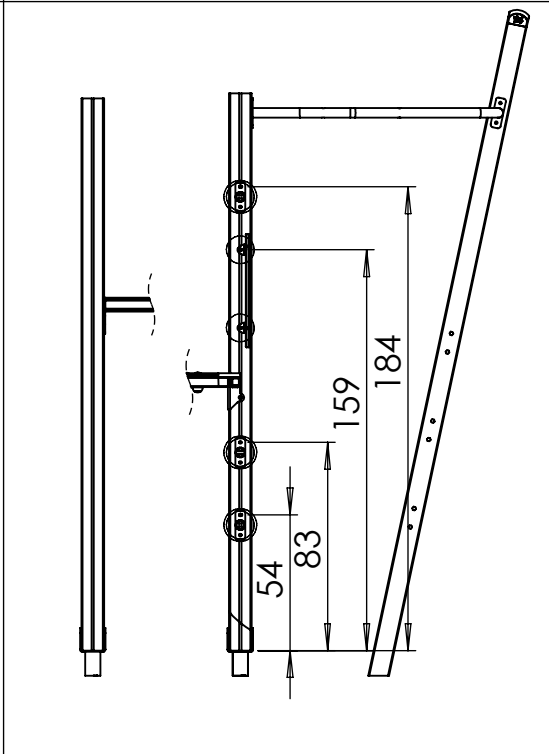
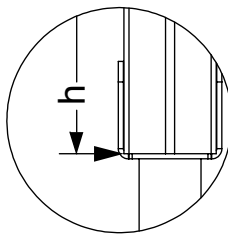
1x T7p06T



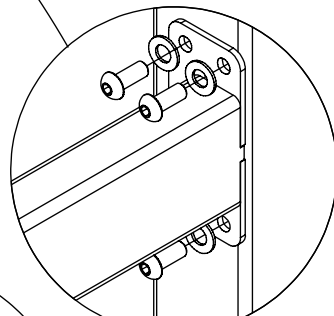
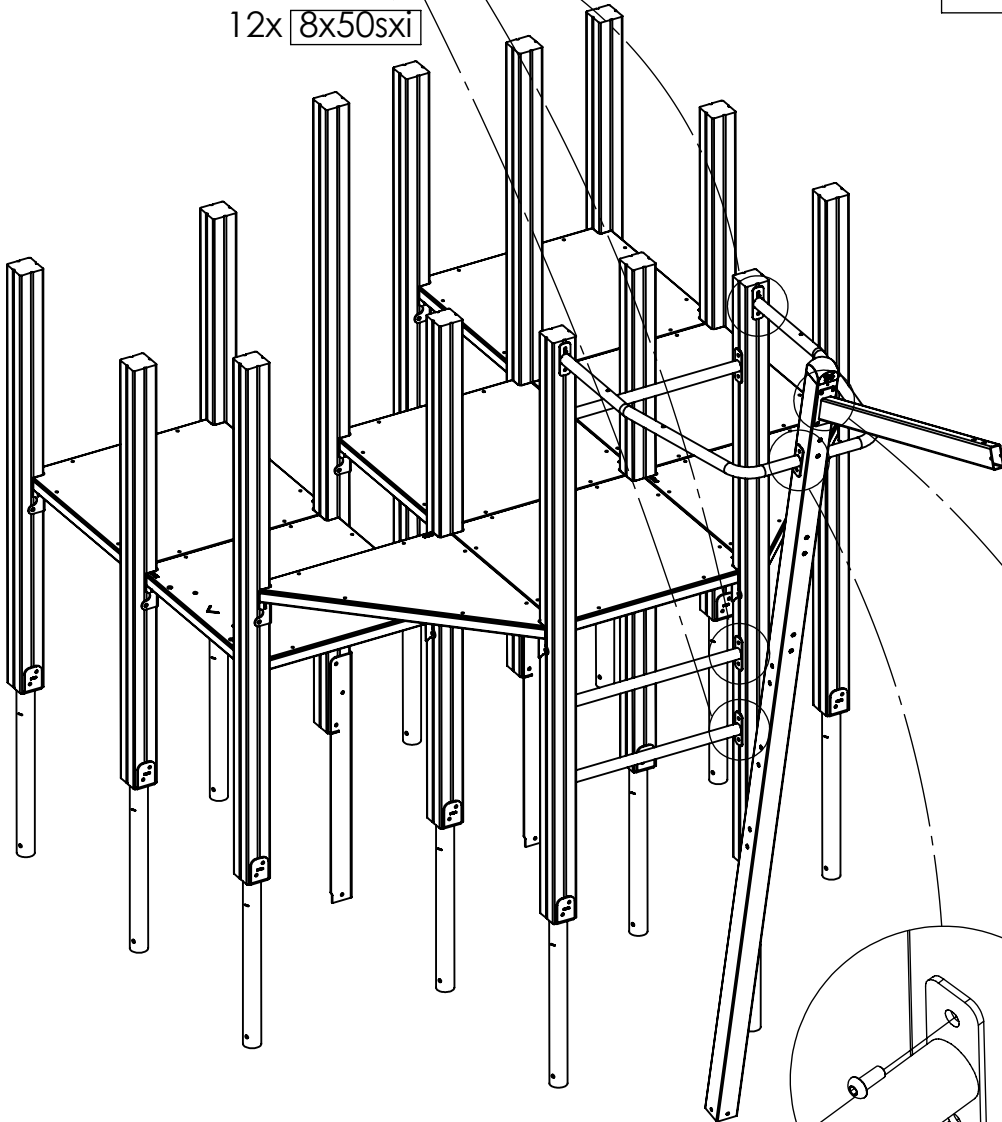
60x 8x50sxi

[cm]

vinci play

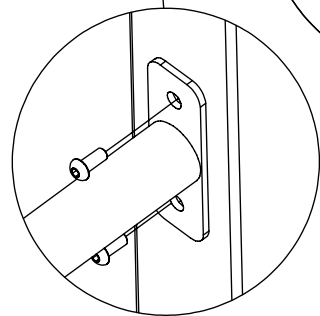


12x 8x50sxi



4x 10x25iKI

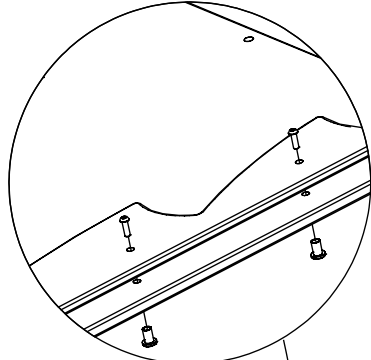
4x 10pp



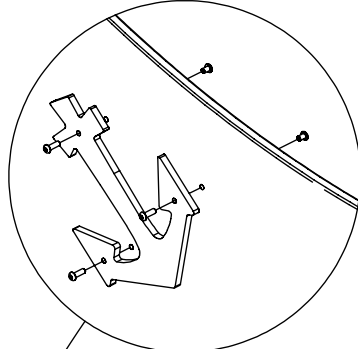
4x 10x25iKI

[cm]

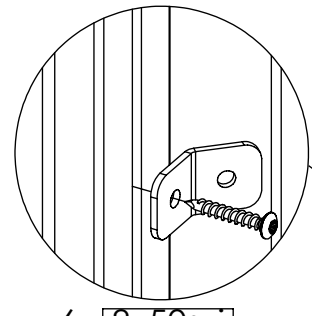
vinci  
play



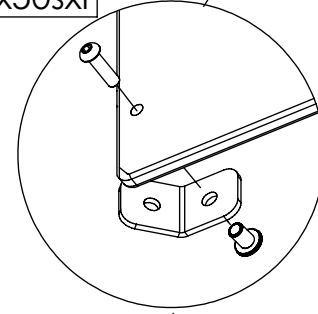
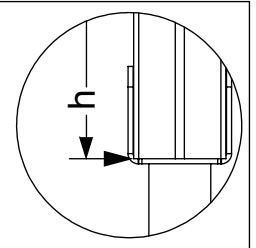
2x <sup>HDPE</sup> c080 <sup>HPL</sup> c074



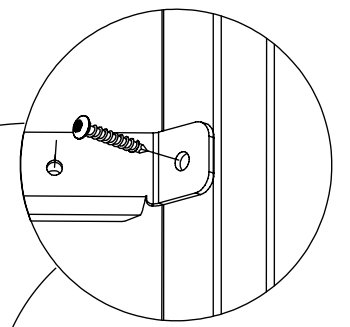
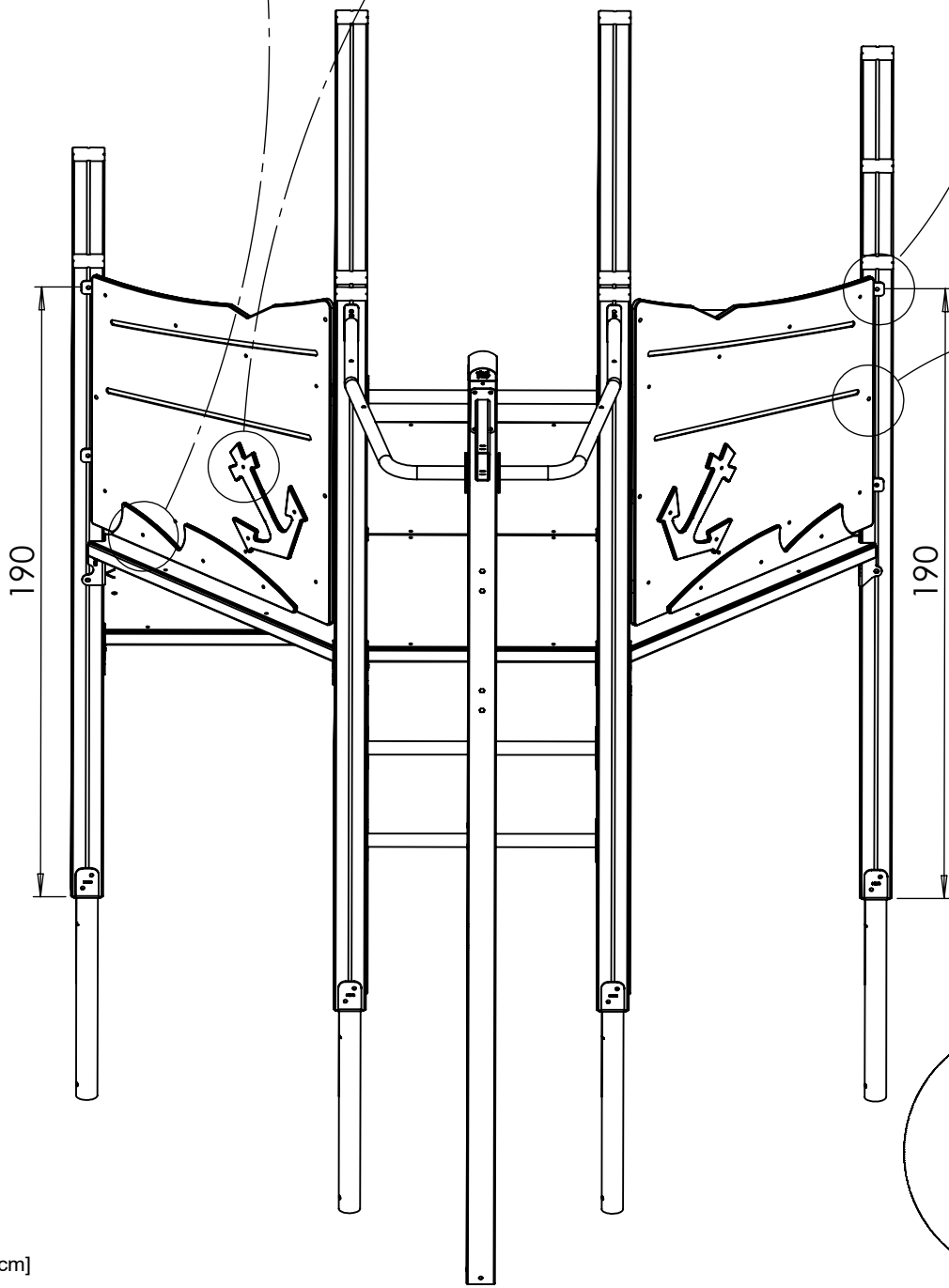
2x <sup>HDPE</sup> c080 <sup>HPL</sup> c074



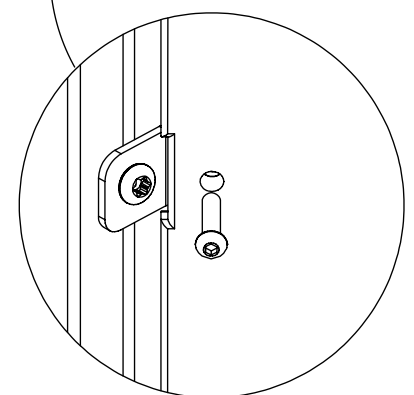
6x 8x50sxi



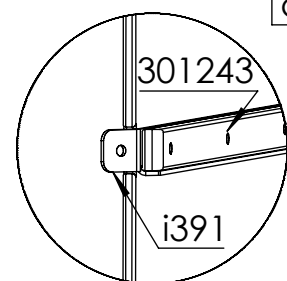
2x c140



8x 8x50sxi



c140

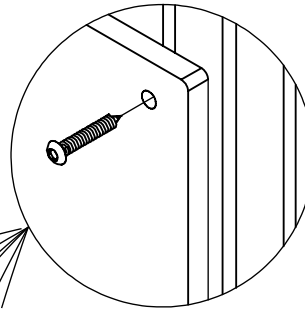
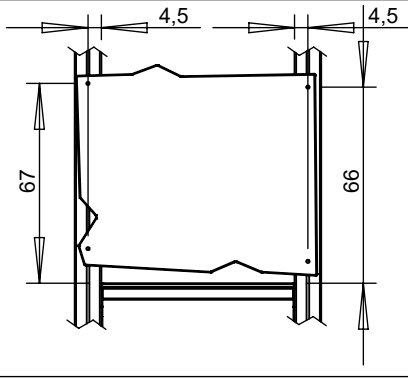
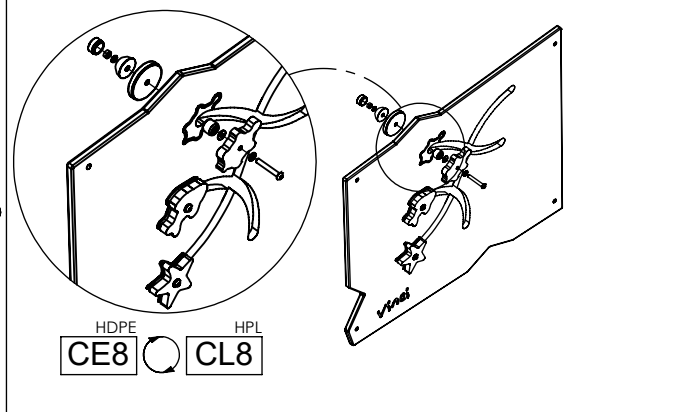
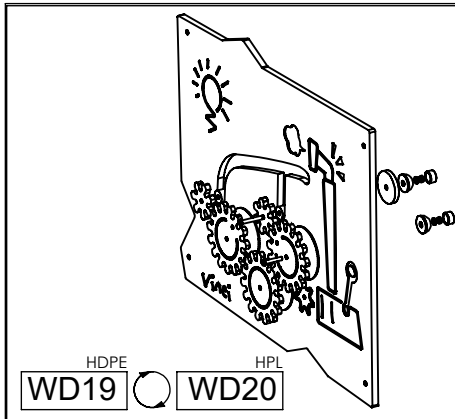


301243

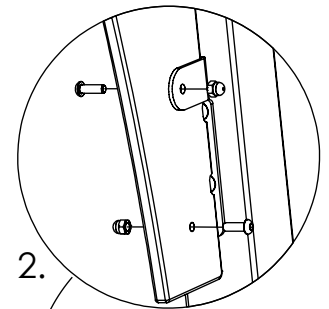
i391

vinci play

[cm]



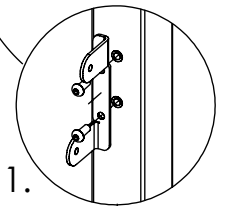
24x 8x50sxi



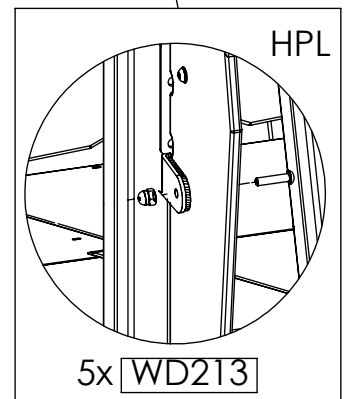
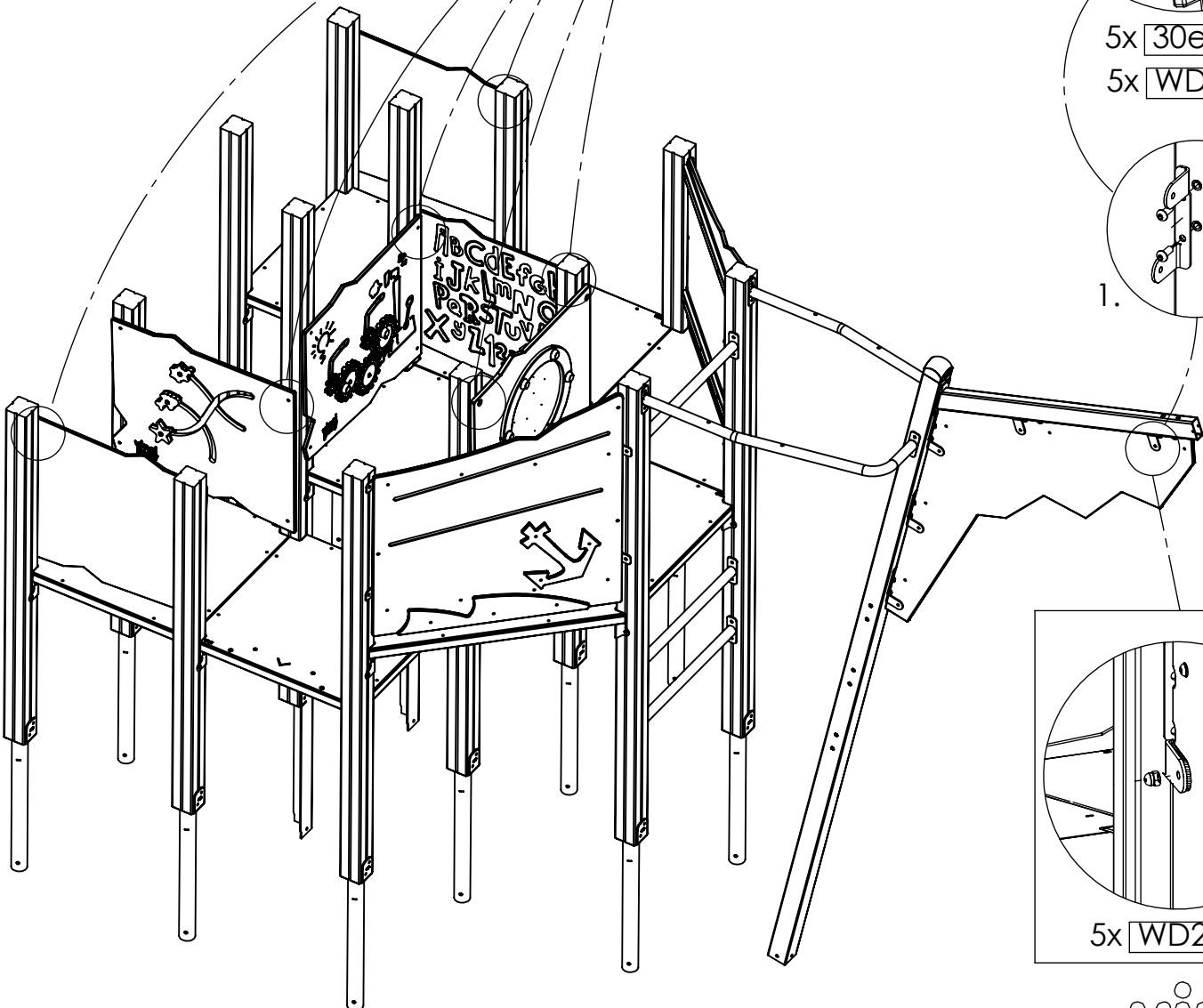
2.

5x 30e030

5x WD213



1.



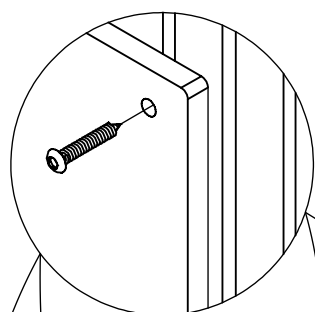
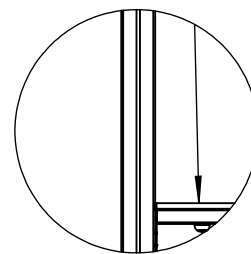
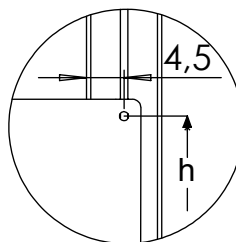
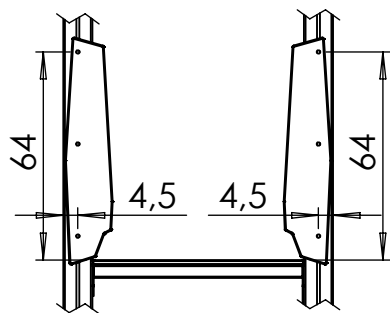
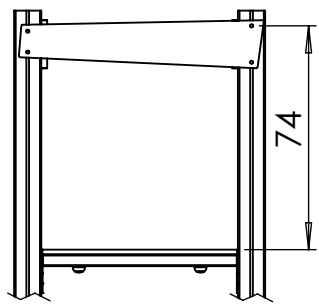
HPL

5x WD213

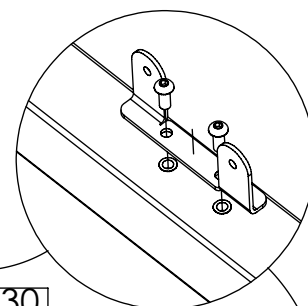
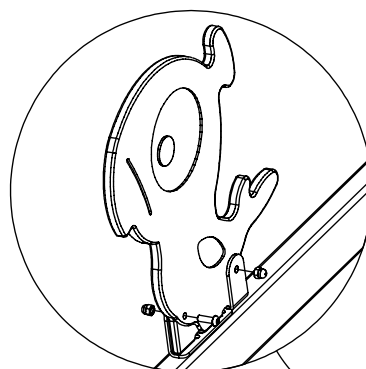
[cm]

vinci  
play



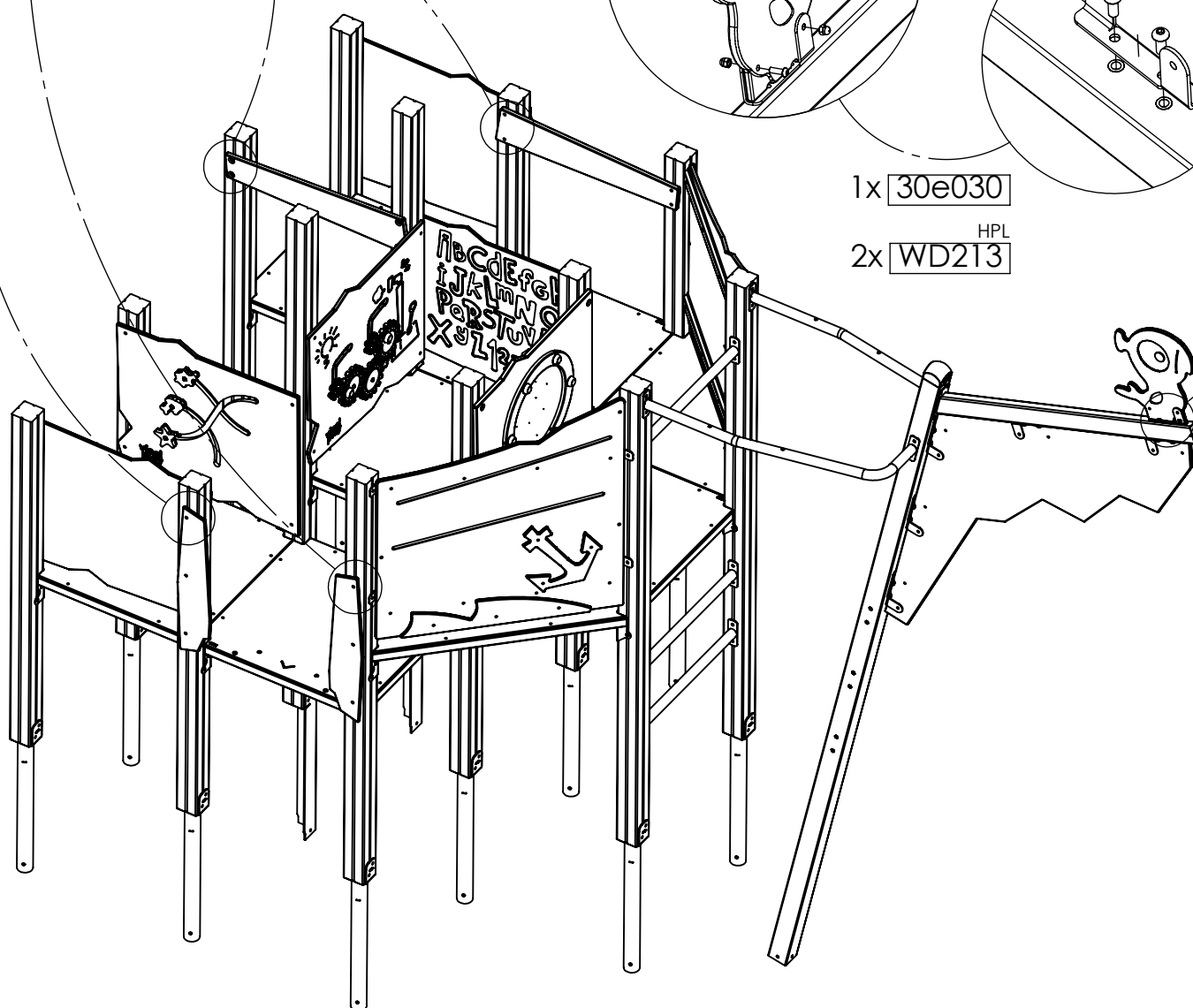


14x 8x50sxi



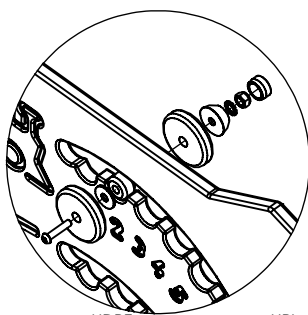
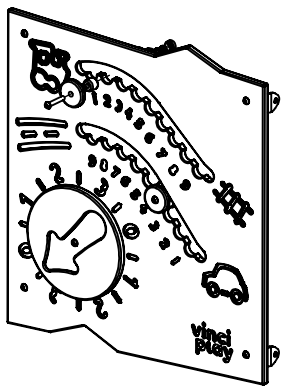
1x 30e030

2x <sup>HPL</sup>WD213

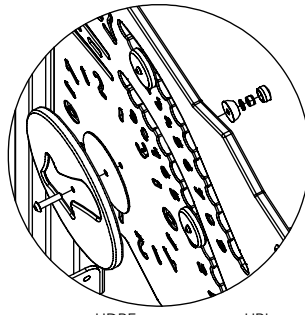


[cm]

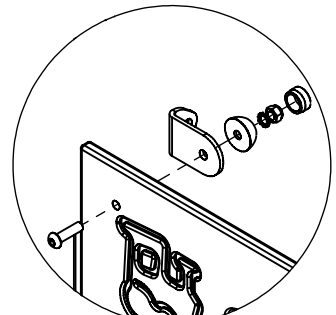
vinci  
play



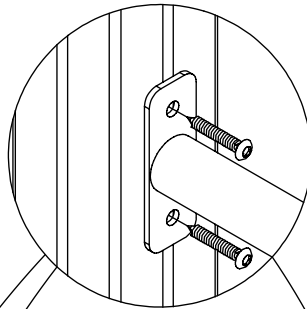
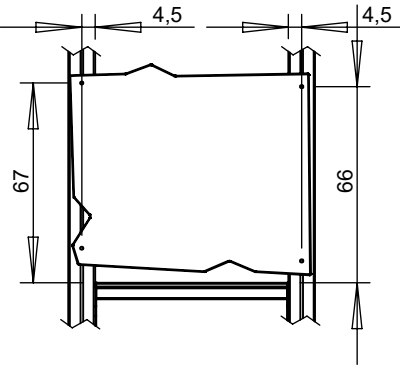
HDPE HPL  
WE126 ○ WL126



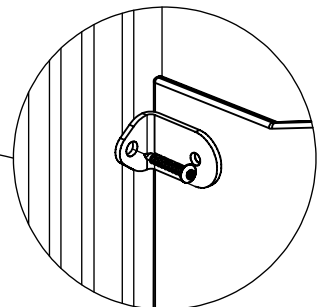
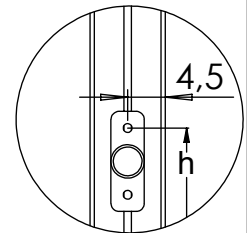
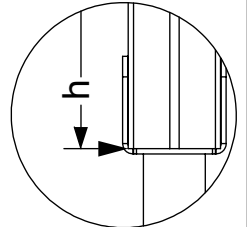
HDPE HPL  
CE83 ○ CL83



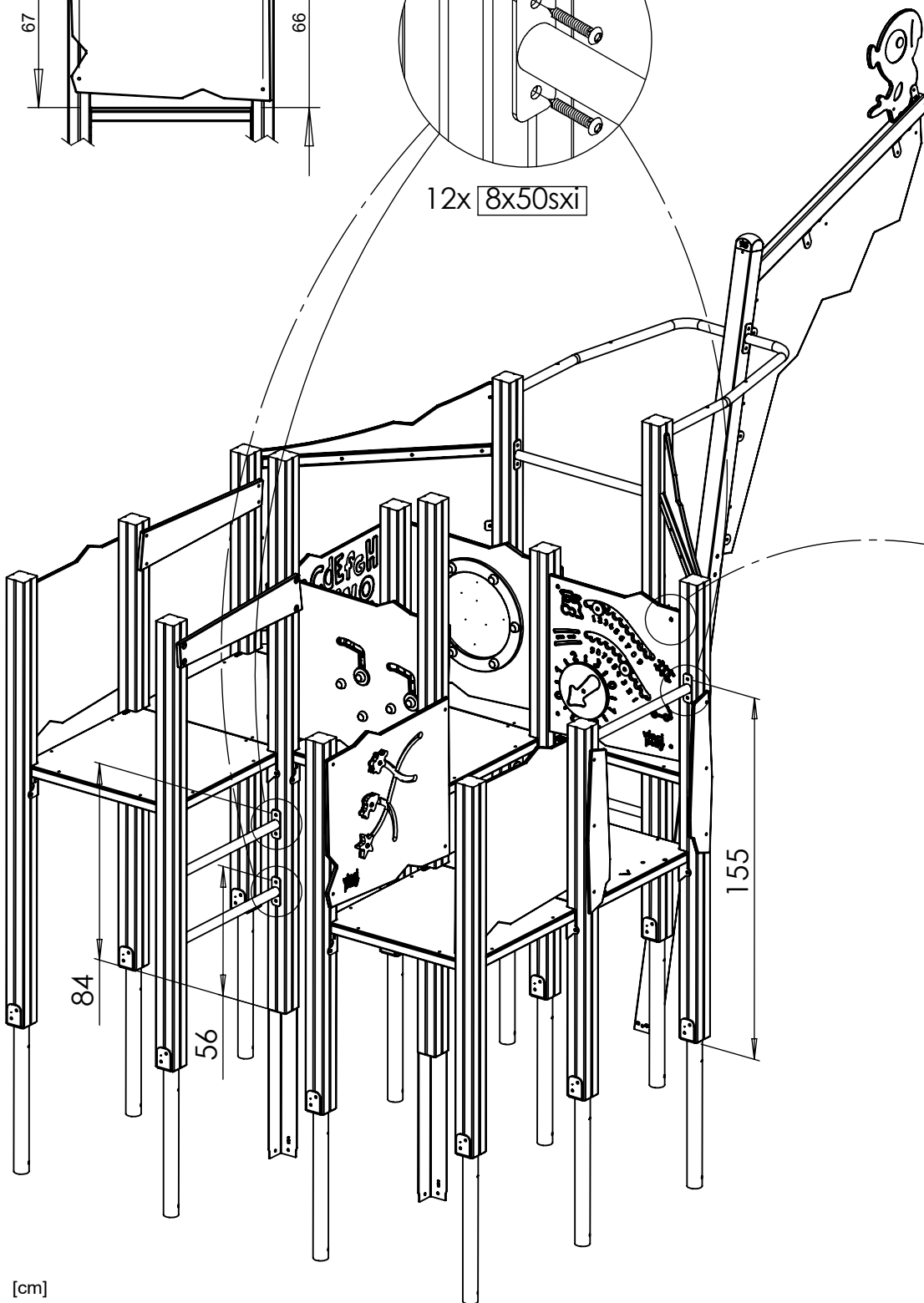
HDPE HPL  
WE125 ○ WL125



12x 8x50sxi

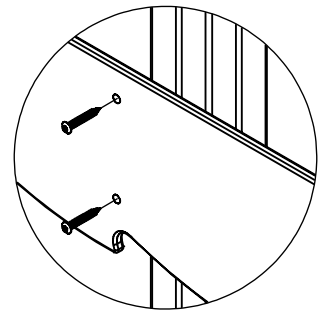
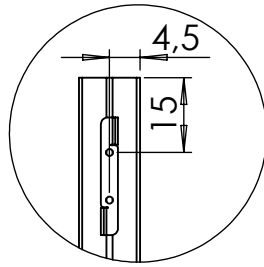
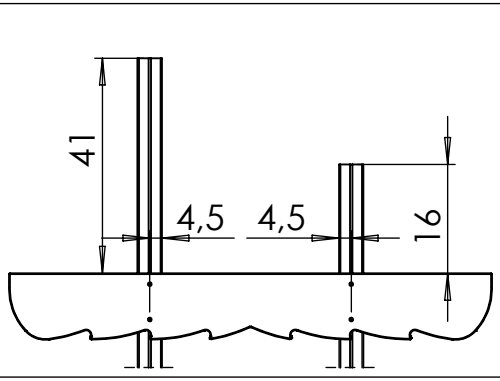


4x 8x50sxi

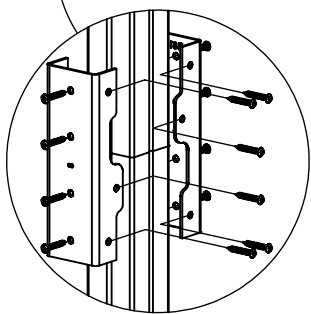
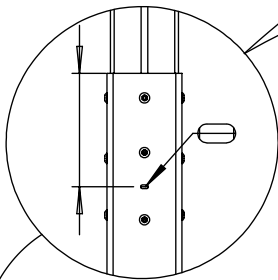
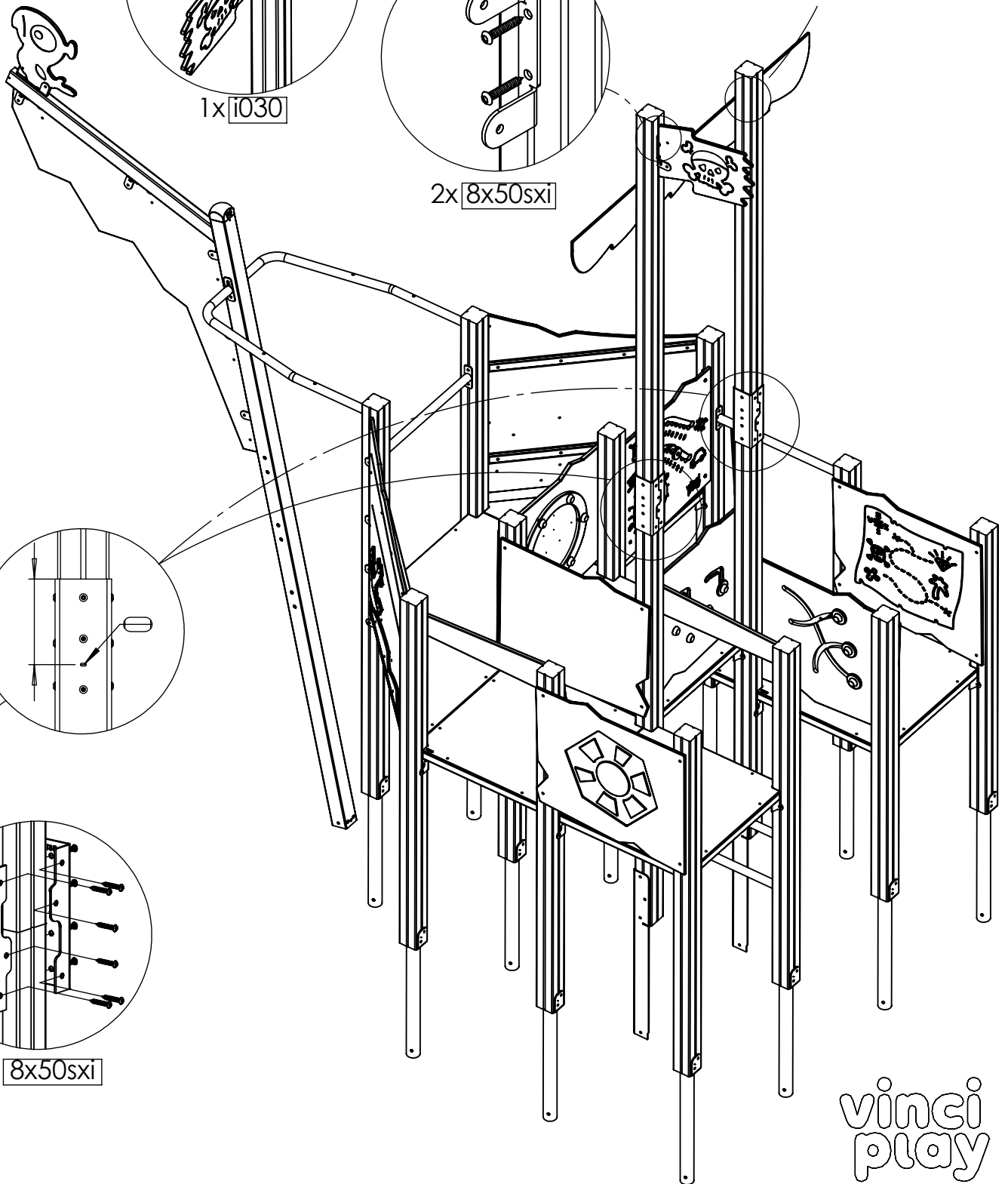
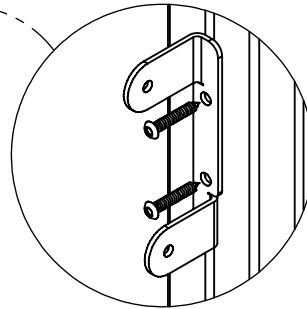
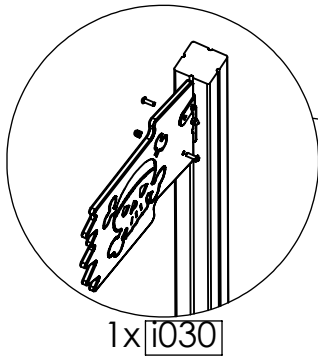


[cm]

vinci  
play

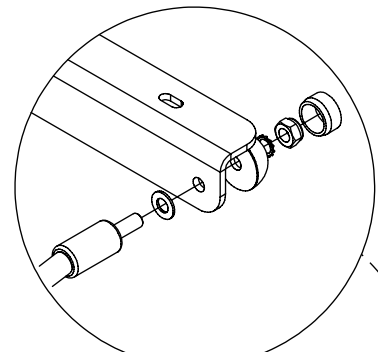
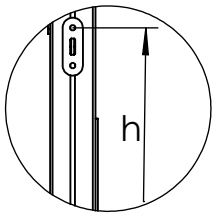
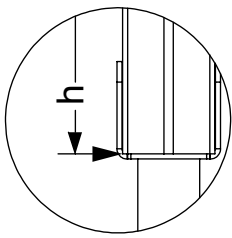


4x 8x50sxi

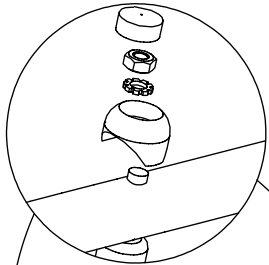


vinci  
play

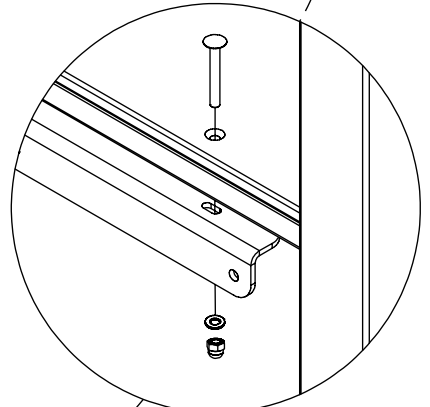
[cm]



1x **i076**

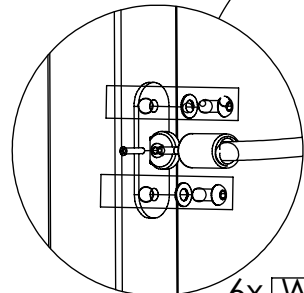
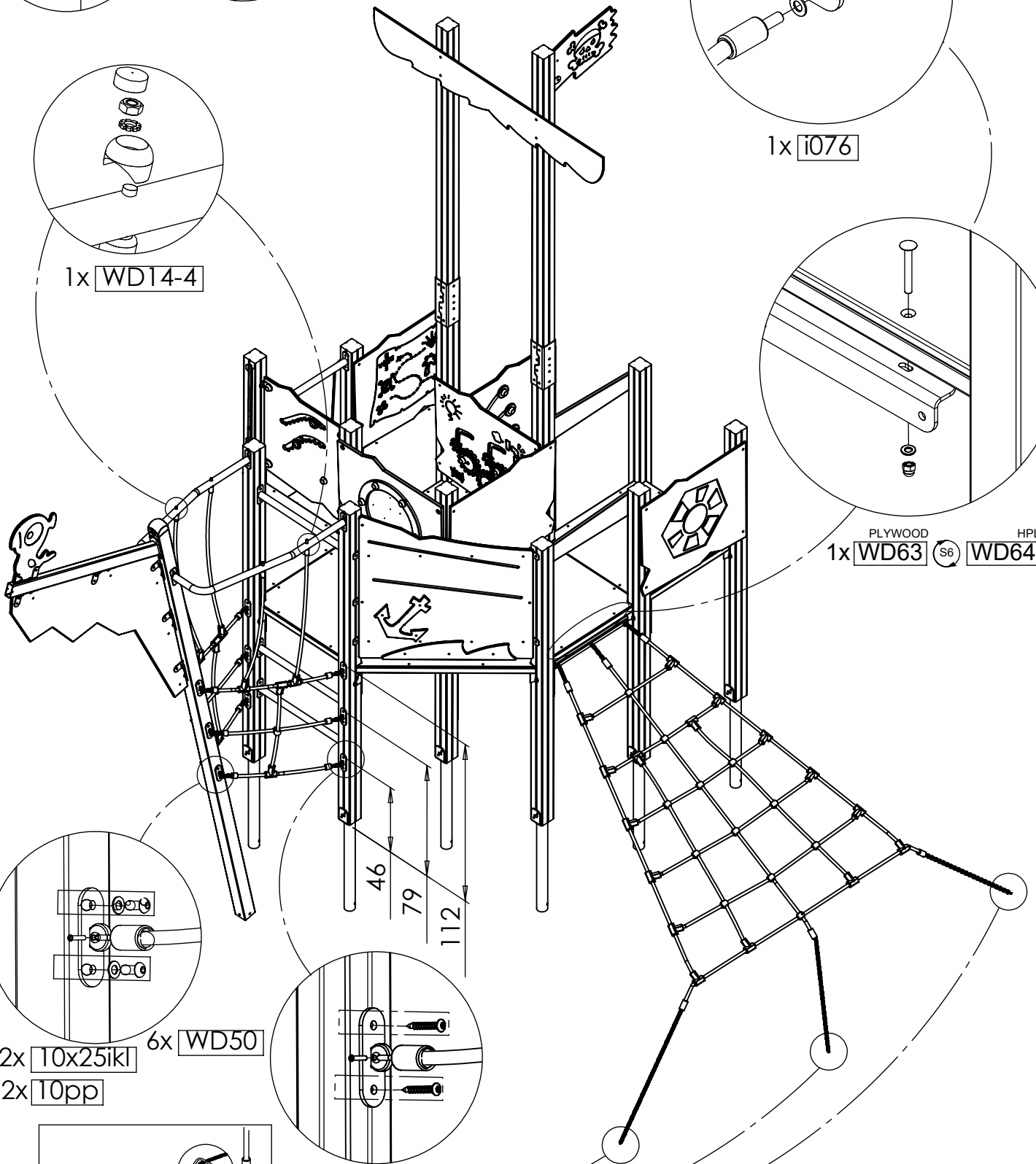


1x **WD14-4**



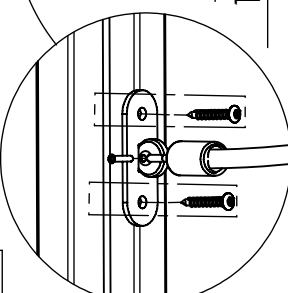
PLYWOOD  
1x **WD63** S6

HPL  
**WD64**

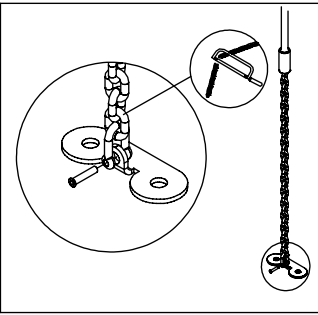


12x **T0x25iki**  
12x **T0pp**

6x **WD50**



12x **8x50sxi**

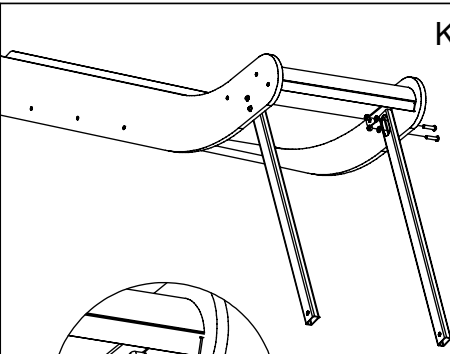


3x **WD52**

[cm]

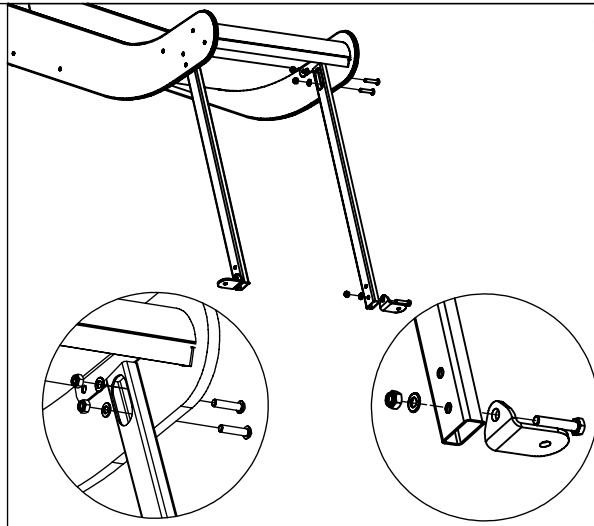
vinci  
play

K1



1x E34

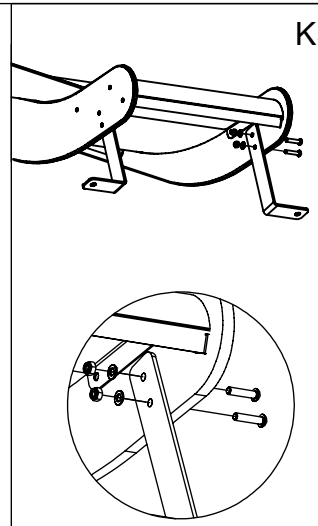
K2



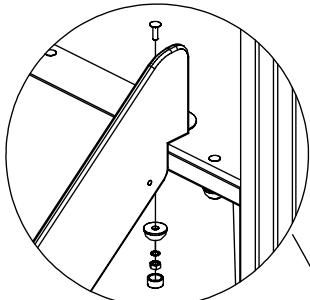
1x E35

1x E35

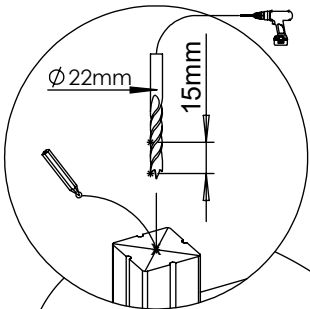
K3



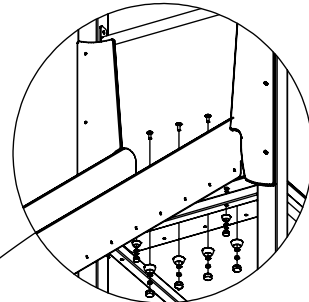
1x E34



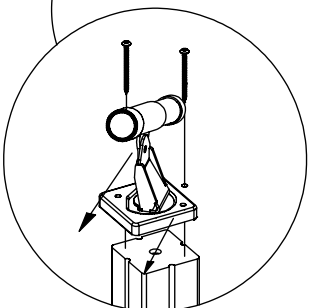
PLYWOOD HPL  
1x WD28 S1 WD29



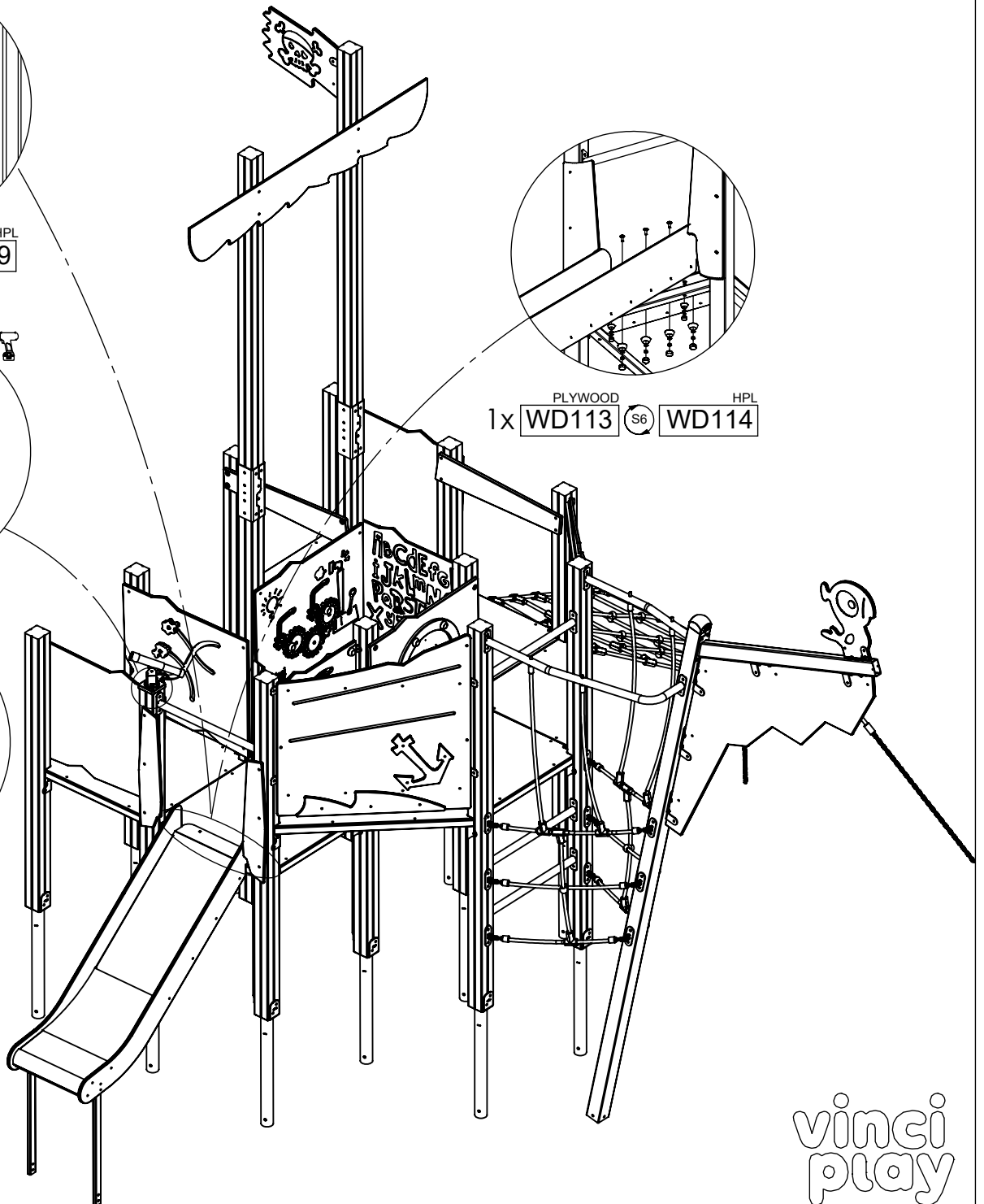
Ø22mm  
15mm



PLYWOOD HPL  
1x WD113 S6 WD114

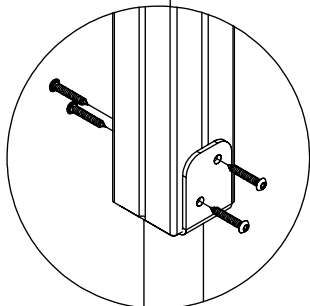
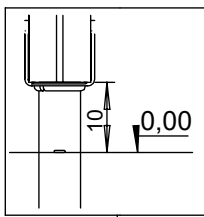
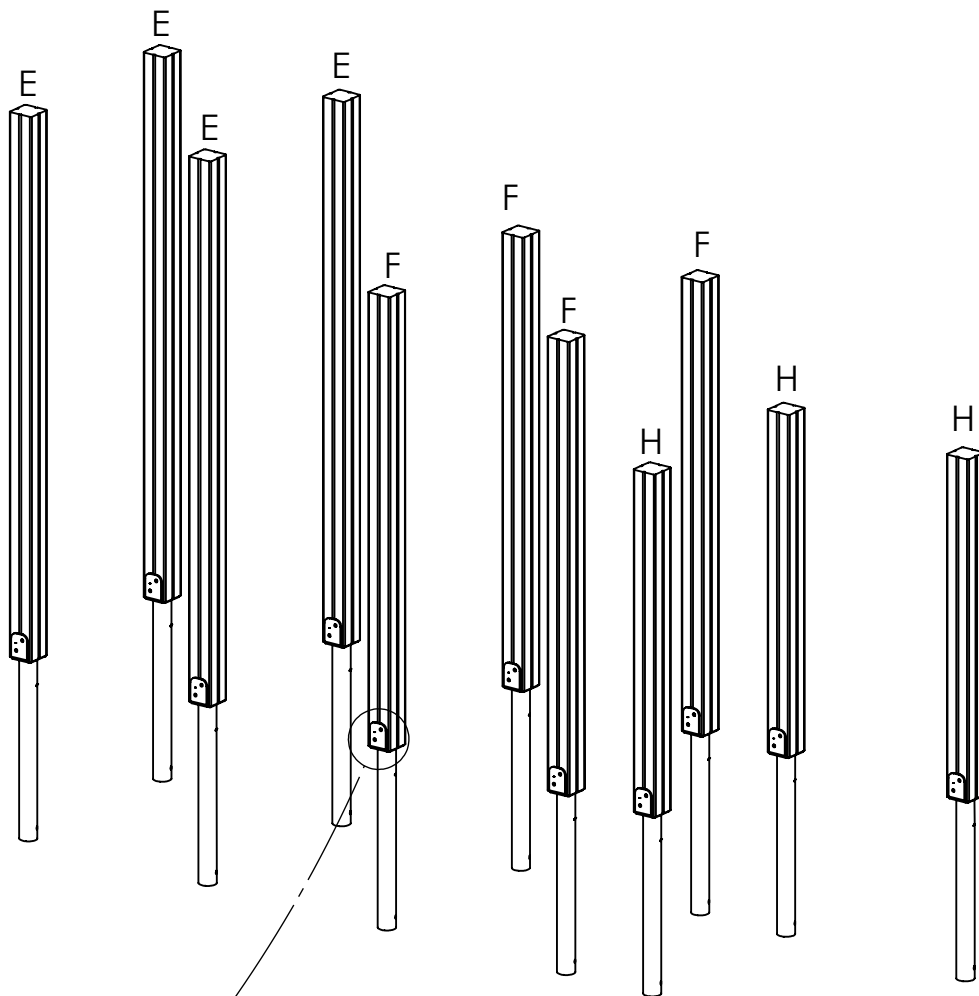
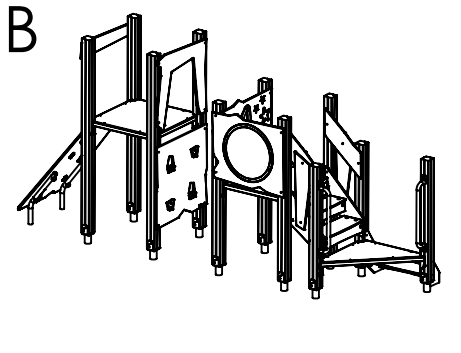


2x 6x80sxt



[cm]

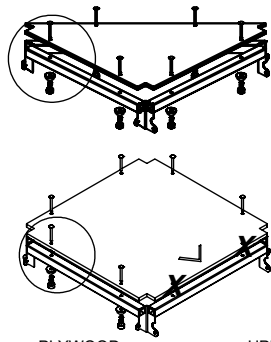
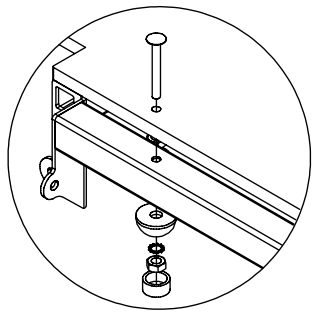
vinci  
play



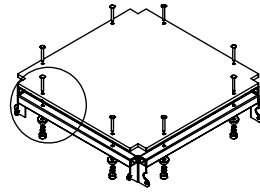
44x 8x50sxi

[cm]

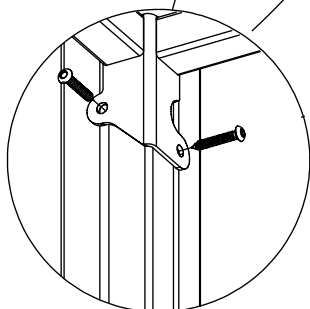
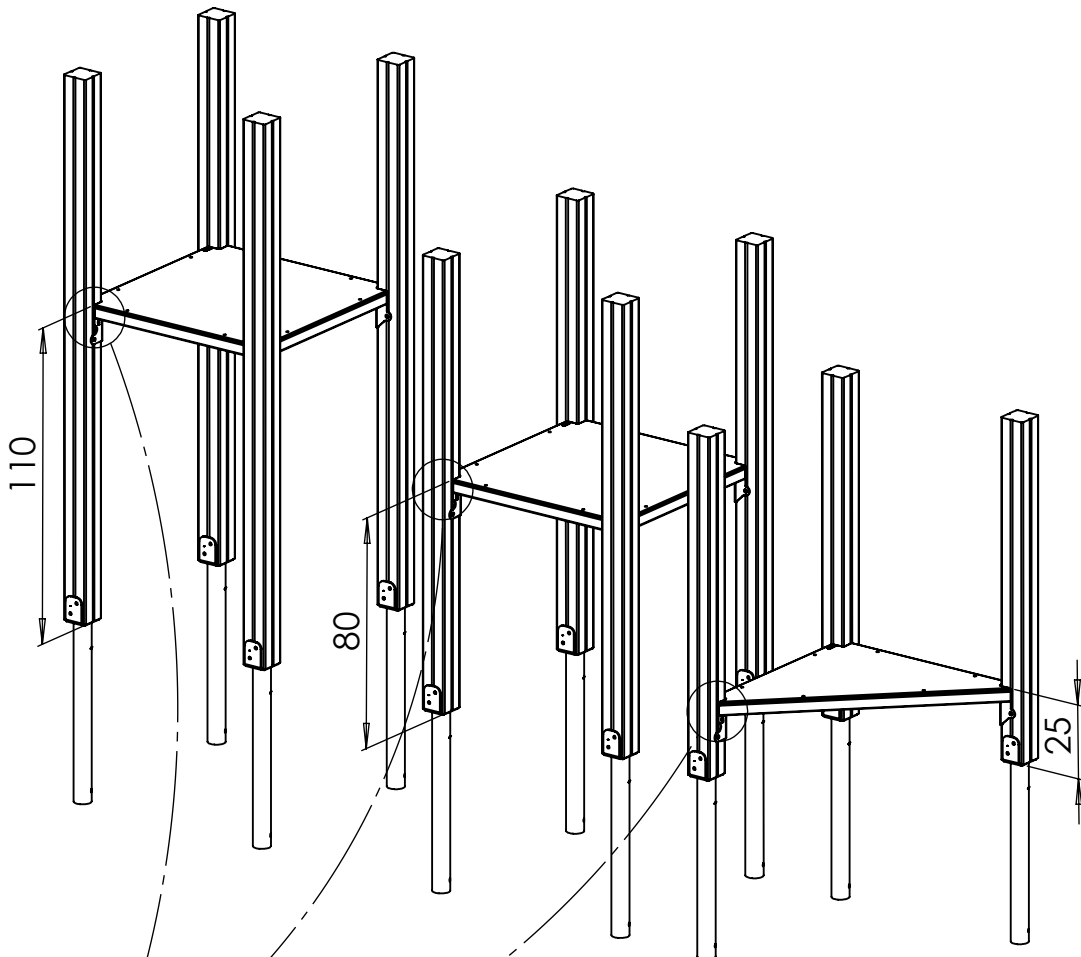
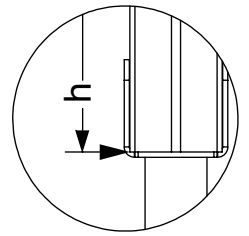
vinci  
play



PLYWOOD HPL  
2x **WD74**  **WD75**



PLYWOOD HPL  
1x **WD76**  **WD77**

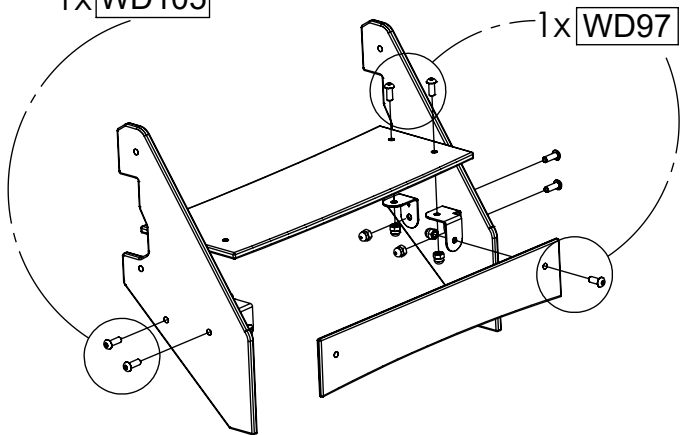


22x **8x50sxi**

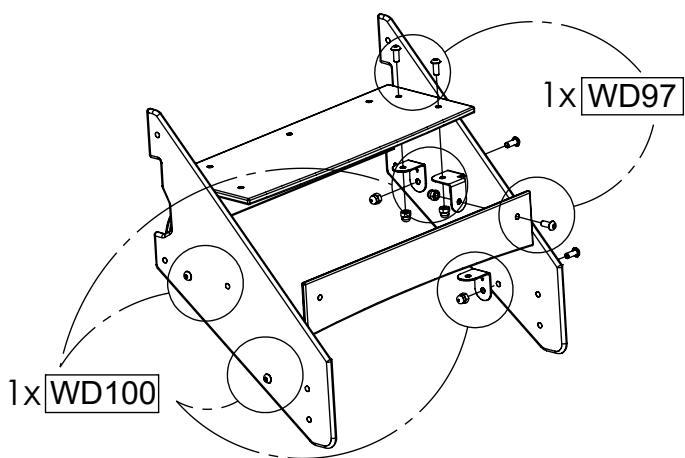
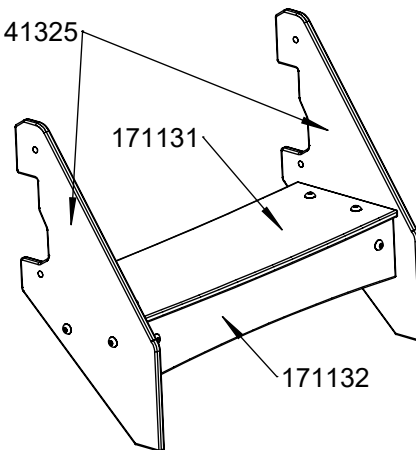
[cm]

vinci  
play

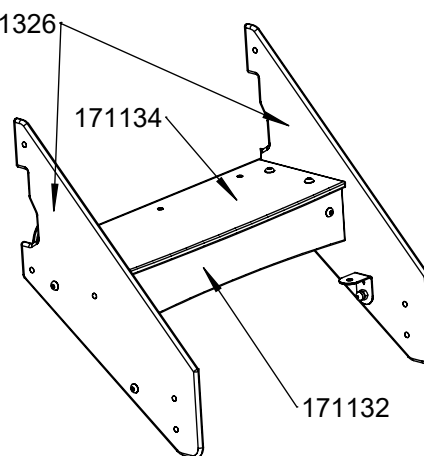
1x WD105



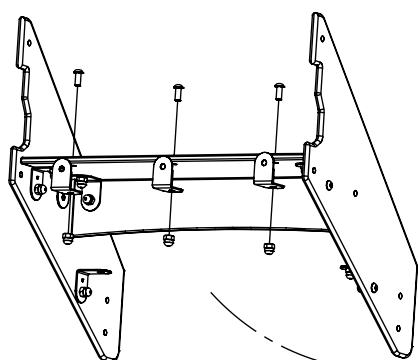
141325



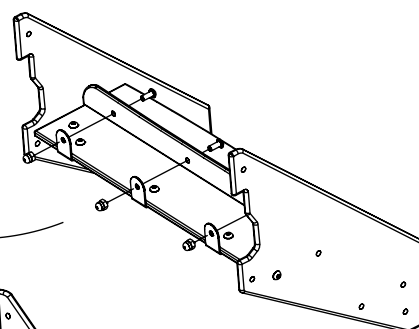
141326



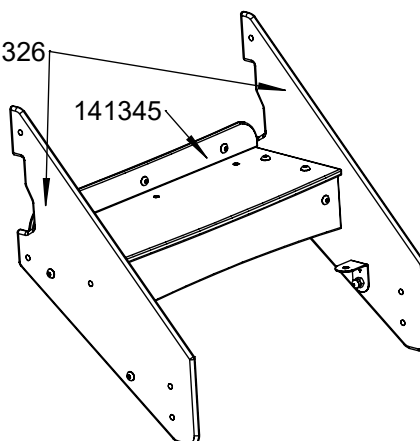
1x WD100



1x WD103



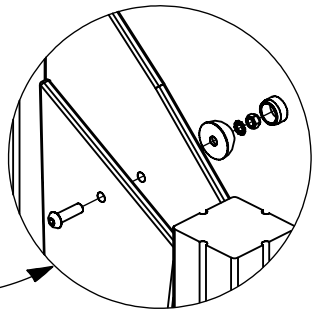
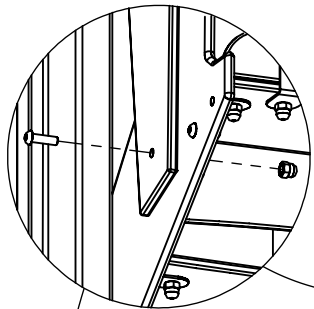
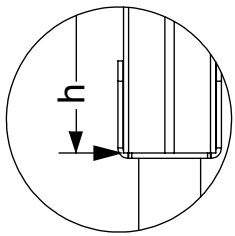
141326



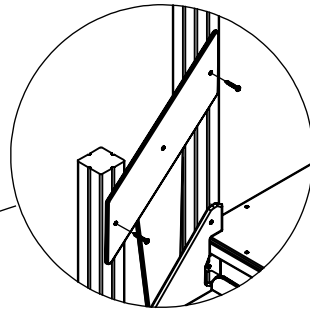
[cm]

vinci  
play

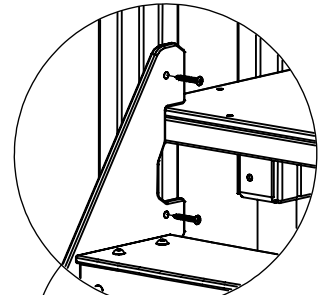




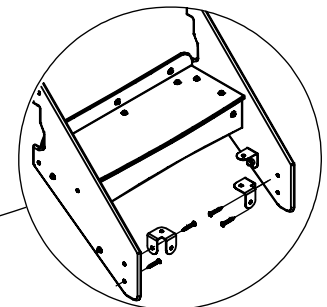
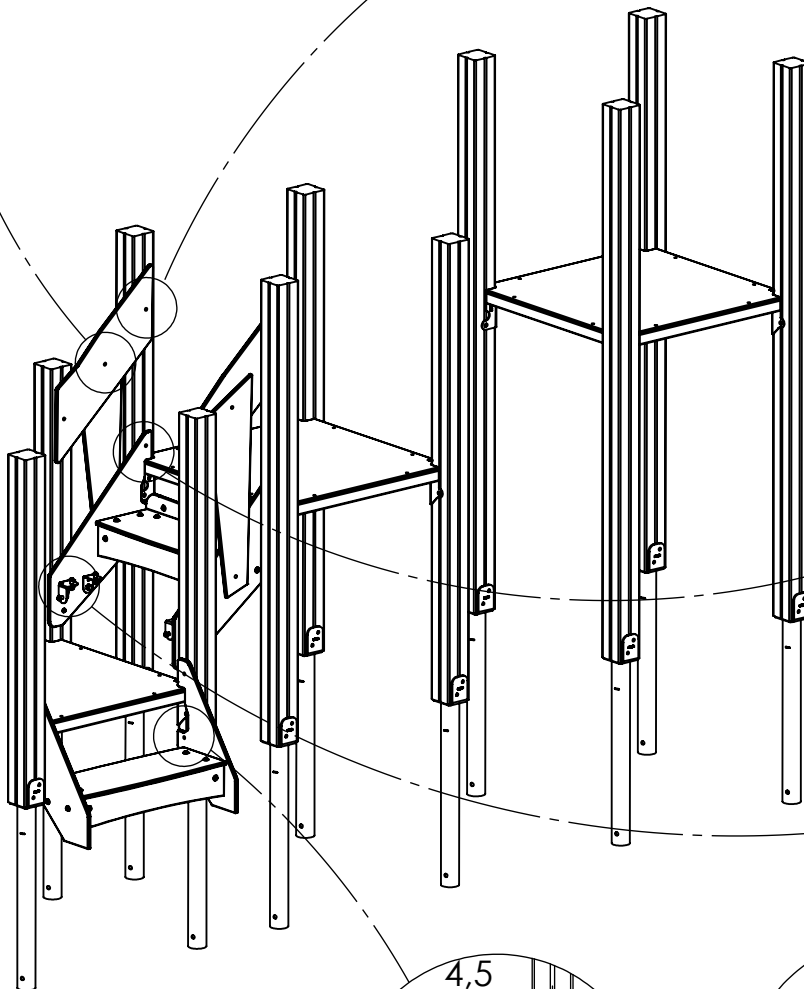
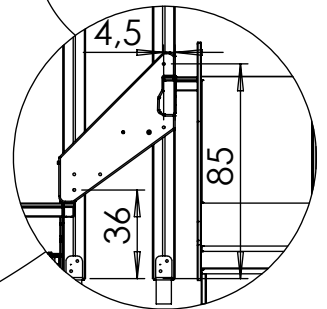
1x **WD100**



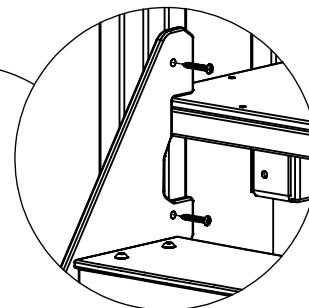
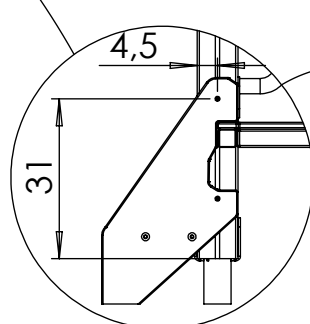
4x **8x50sxi**



4x **8x50sxi**



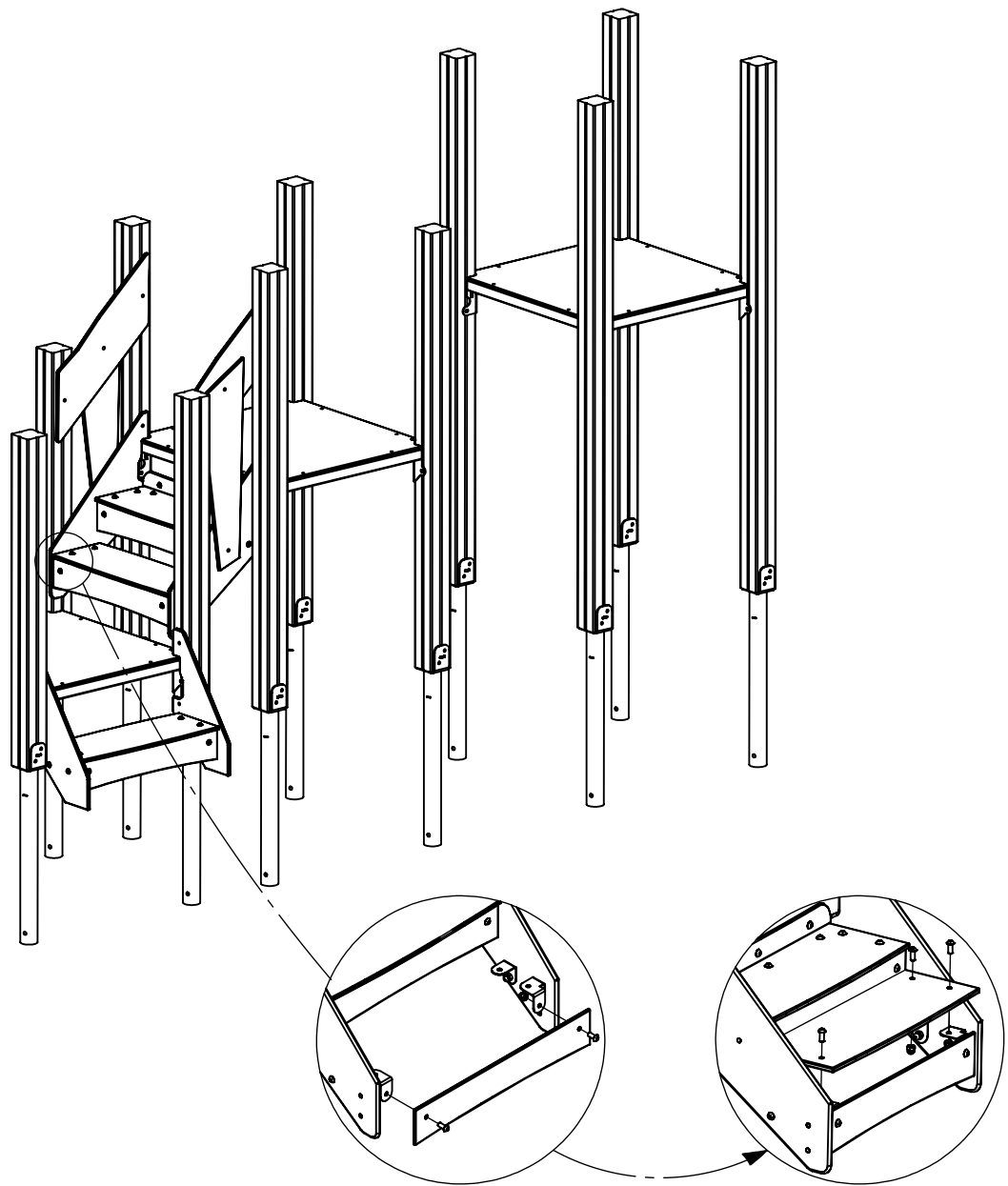
2x **8x50sxi**  
1x **WD91**



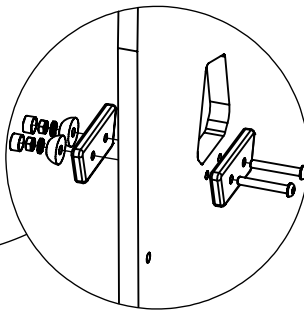
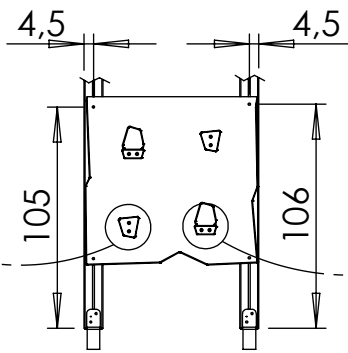
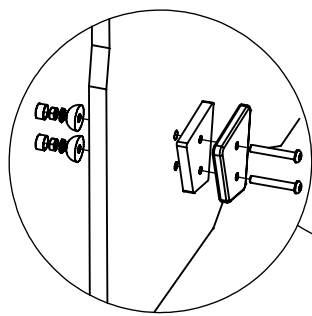
4x **8x50sxi**

[cm]

vinci  
play

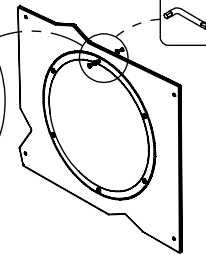
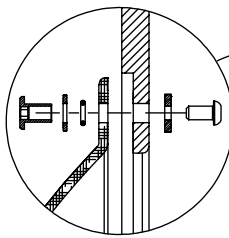
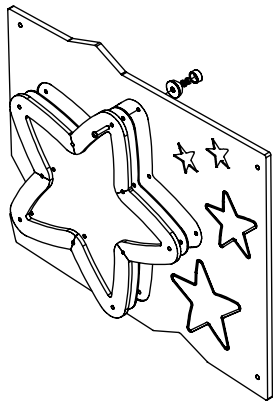
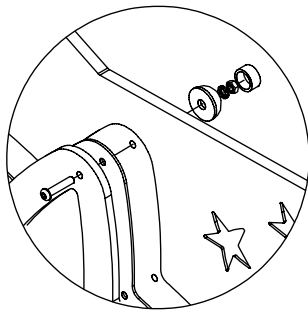


1x WD97



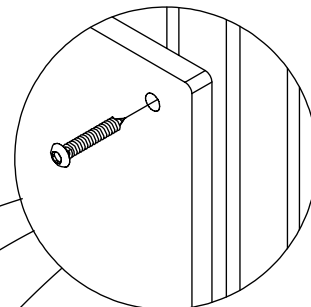
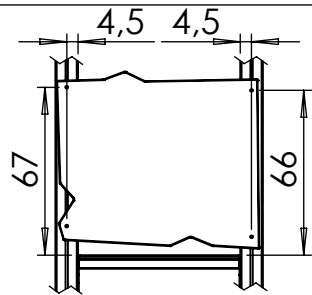
PLYWOOD  
1x **WD15** ○ **WD16** HPL

PLYWOOD  
2x **WD35** ○ **WD36** HPL

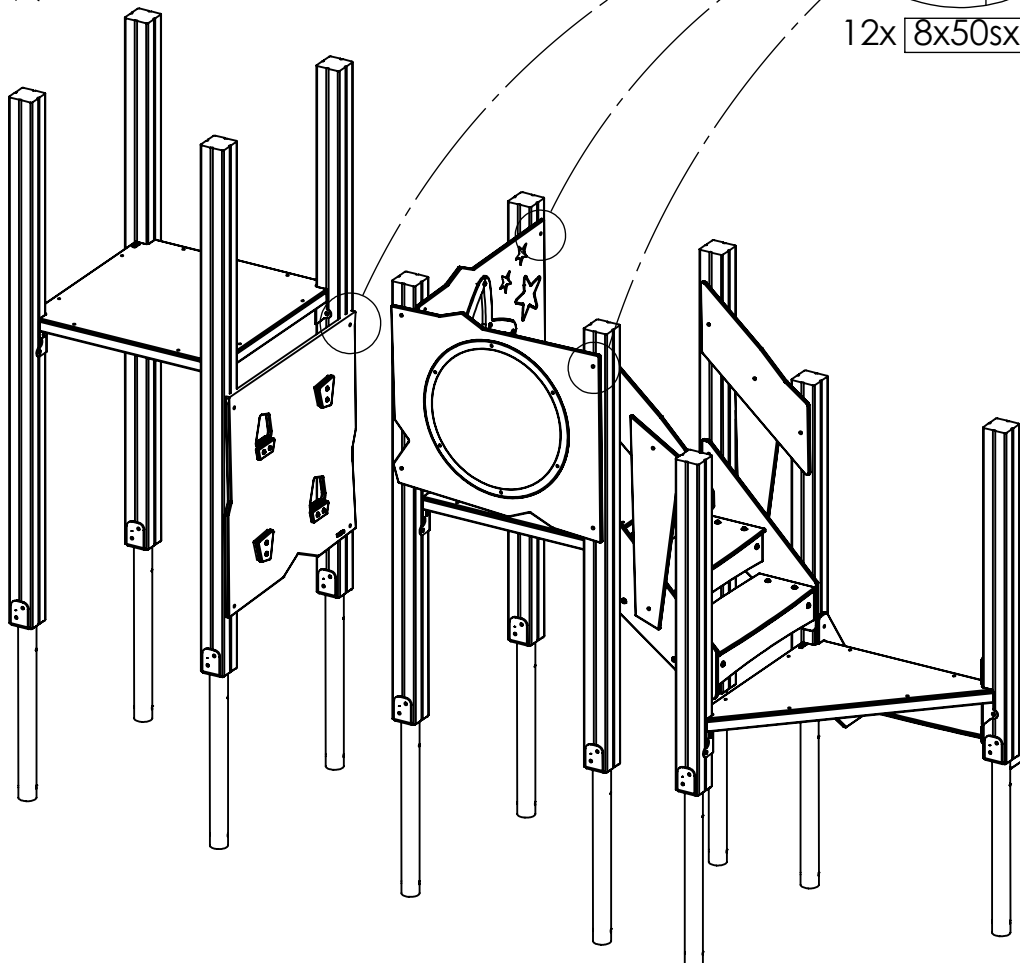


HDPE  
1x **WD17** ○ **WD18** HPL

HDPE  
1x **CE9** ○ **CL9** HPL

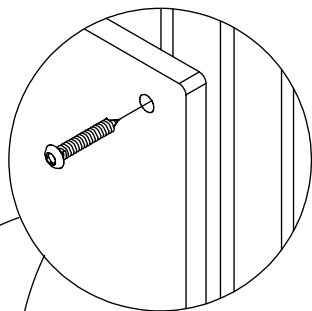
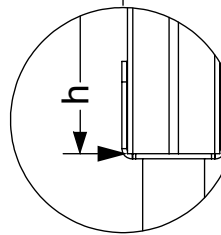
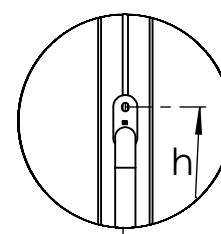
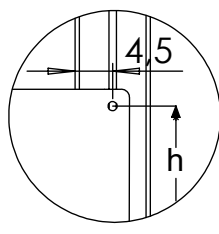
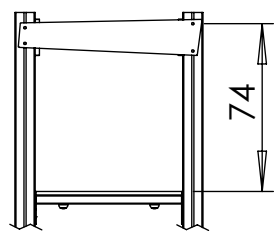
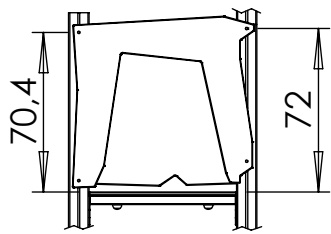


12x **8x50sxi**

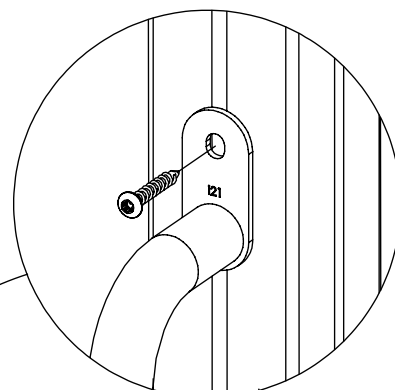
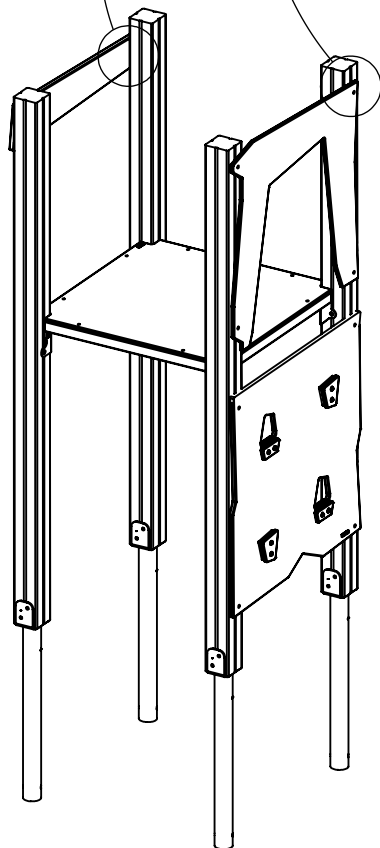


[cm]

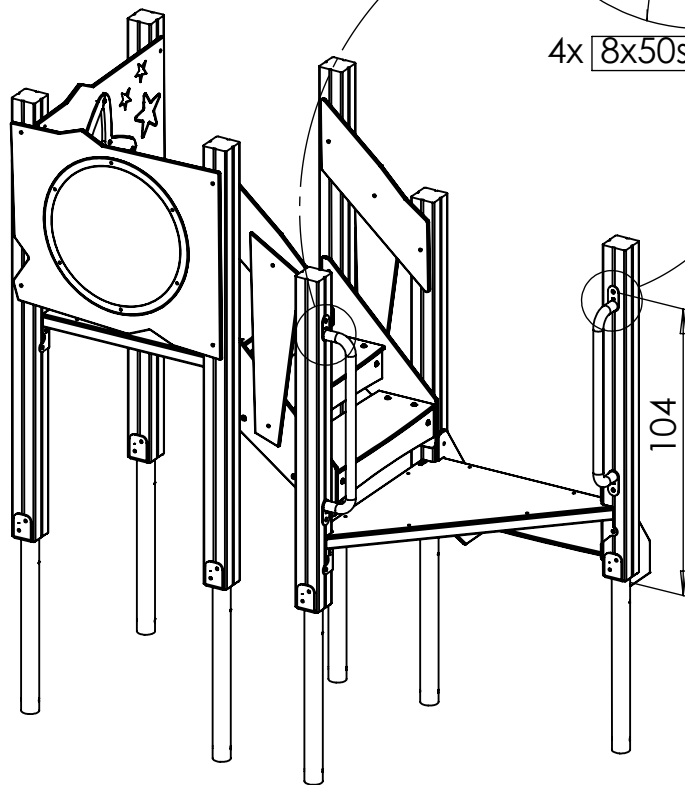
vinci  
play



8x 8x50sxi



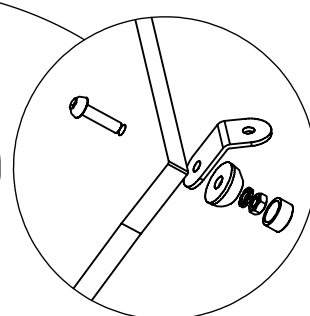
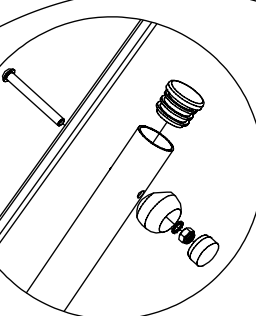
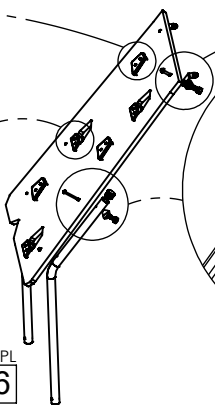
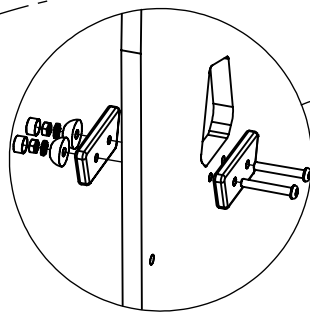
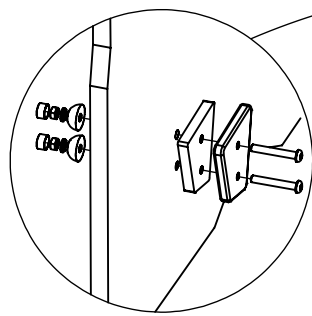
4x 8x50sxi



104

[cm]

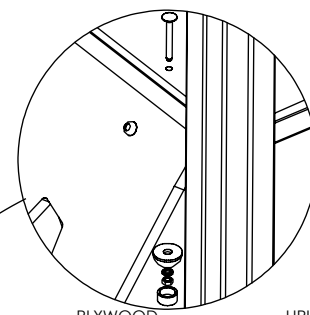
vinci  
play



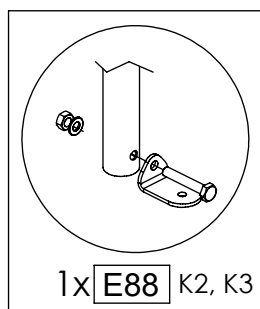
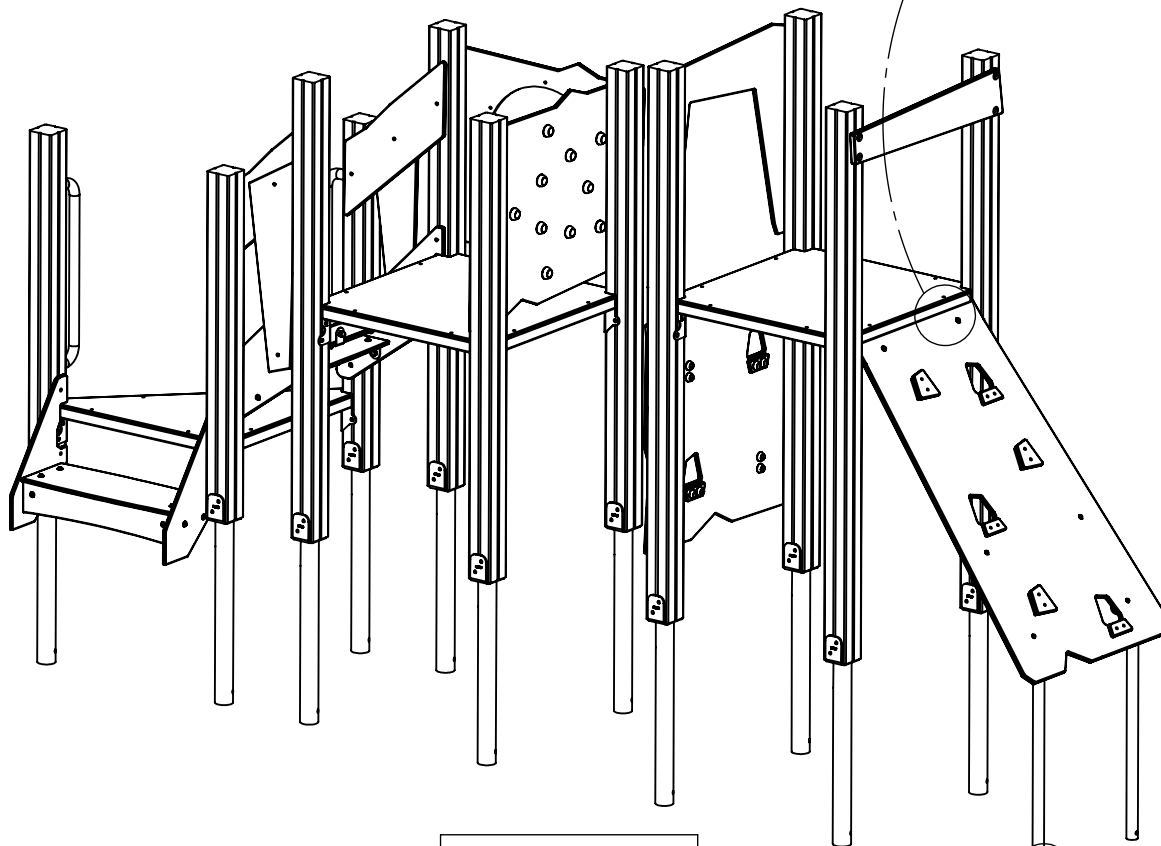
1x PLYWOOD WD15 HPL WD16

2x PLYWOOD WD35 HPL WD36

1x PLYWOOD WD37 HPL WD38



1x PLYWOOD WD37 HPL WD38

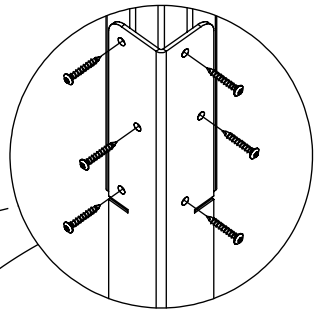
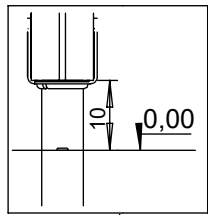
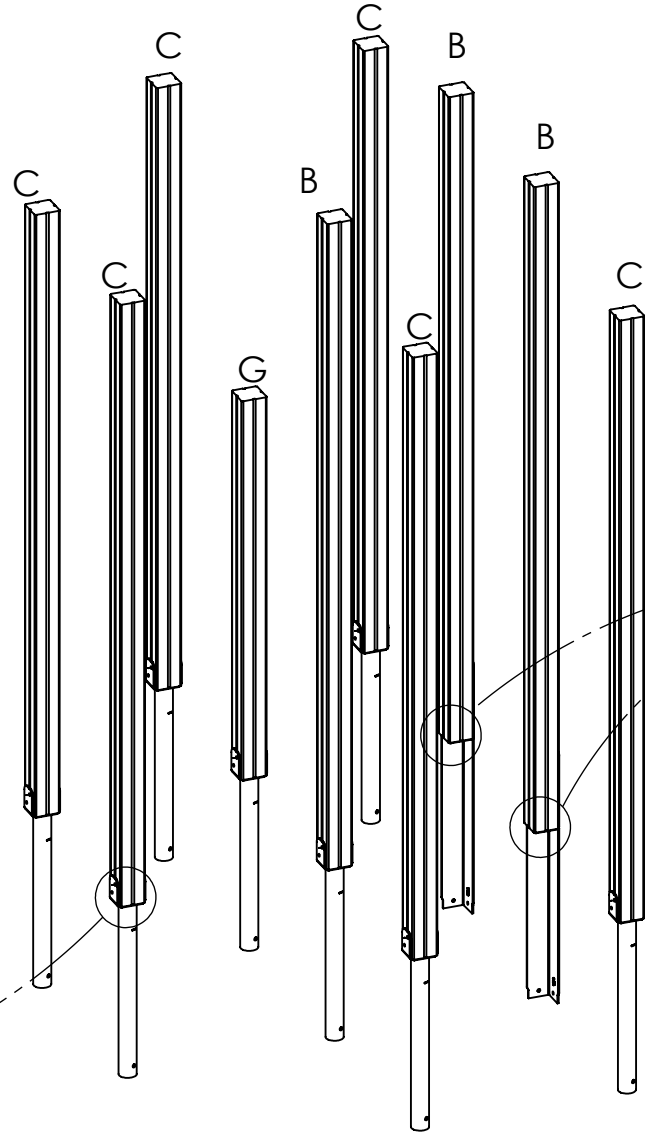
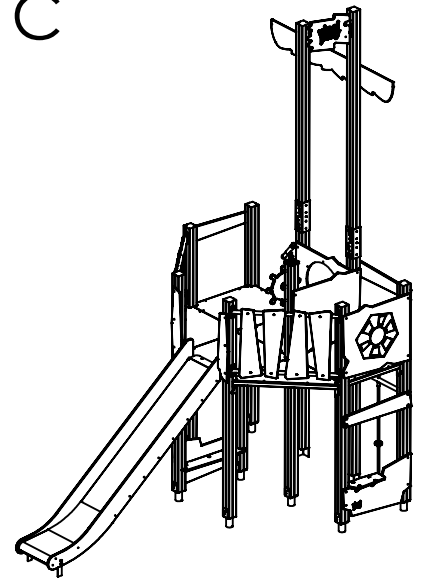


1x E88 K2, K3

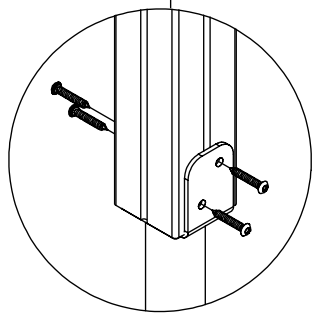
[cm]

vinci play

C



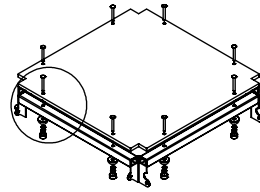
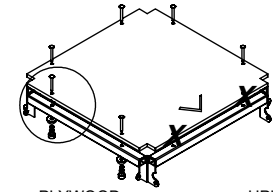
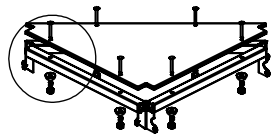
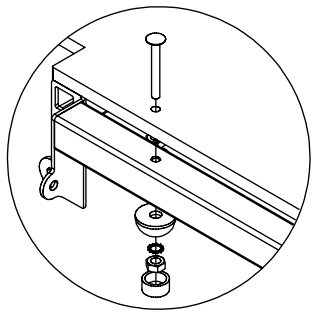
12x 8x50sxi



32x 8x50sxi

[cm]

vinci  
play



4x 

PLYWOOD
WD74



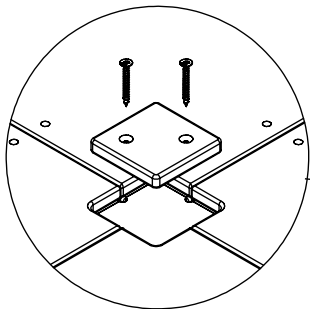
HPL
WD75

2x 

PLYWOOD
WD76

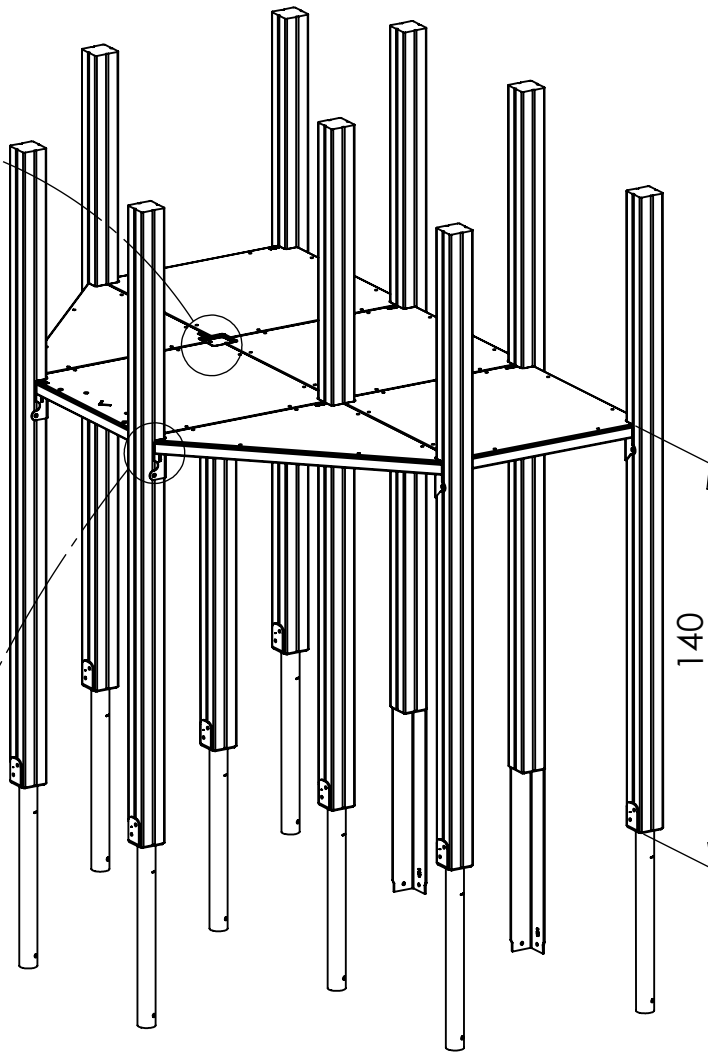


HPL
WD77

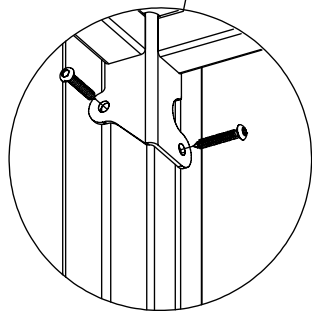


1x 

WD161
-------

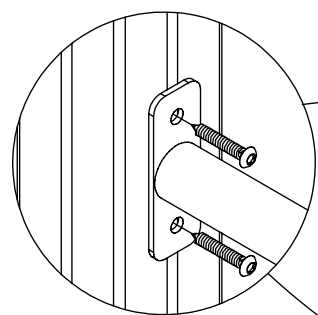
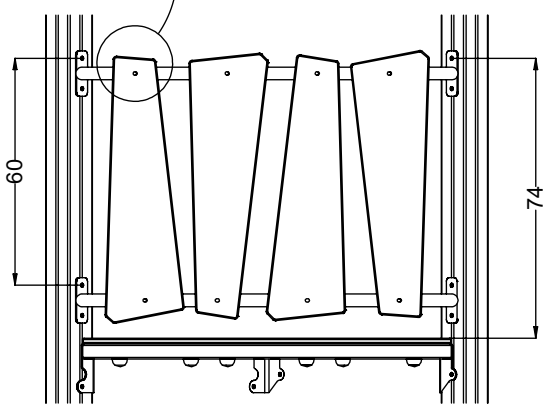
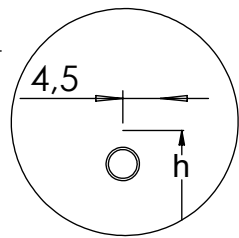
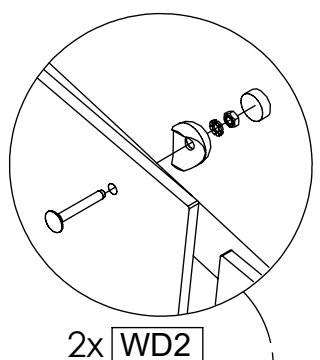
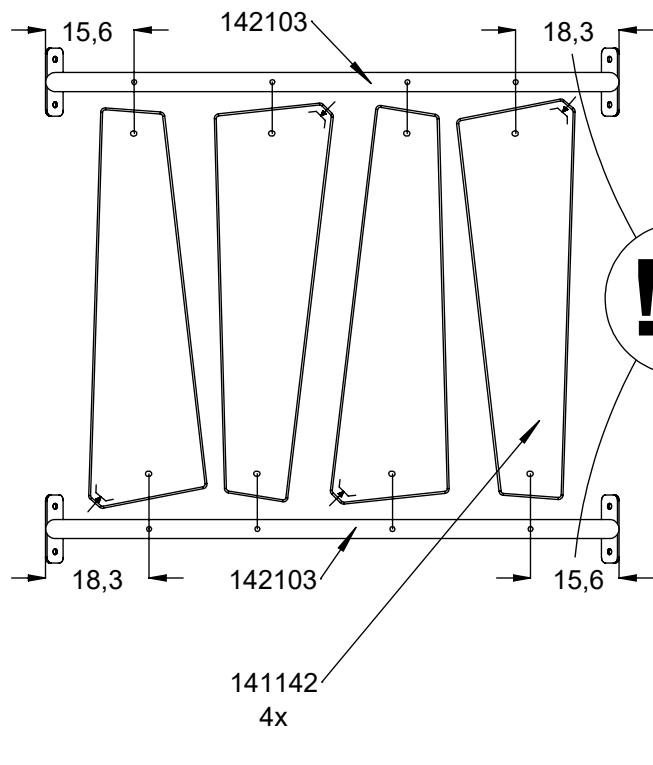


140

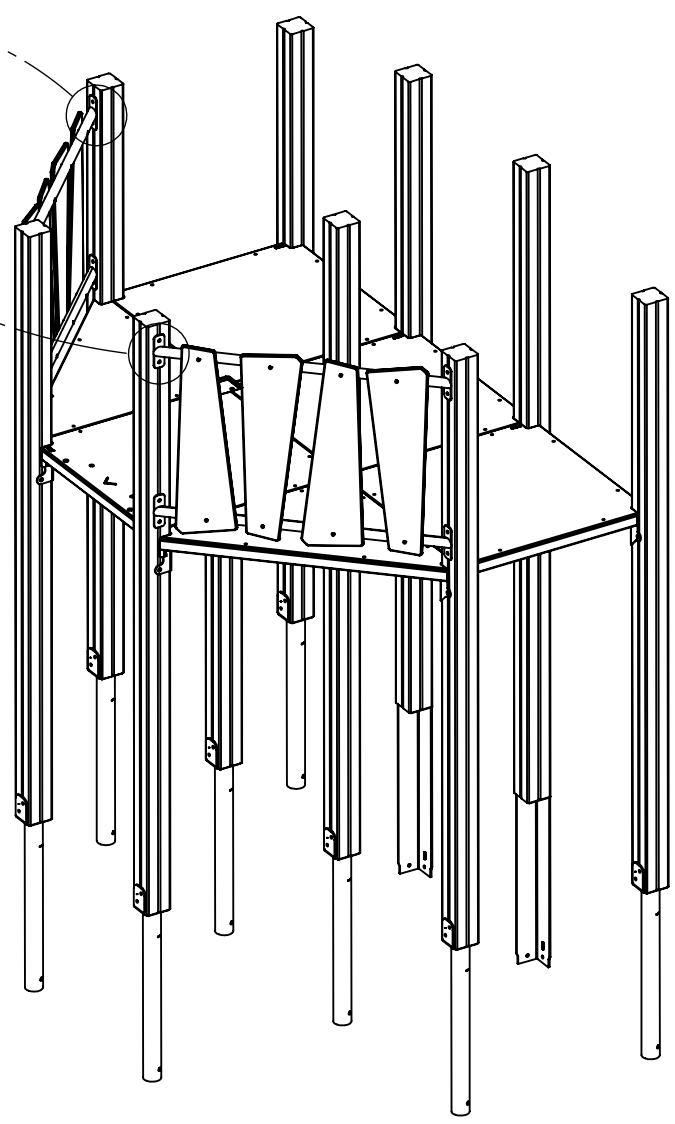


44x 

8x50sxi
---------



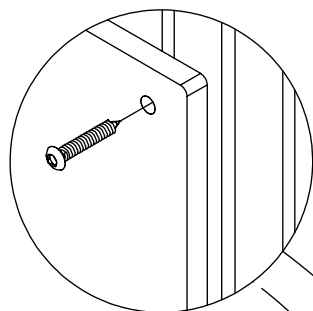
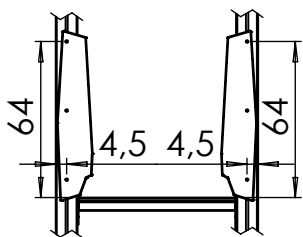
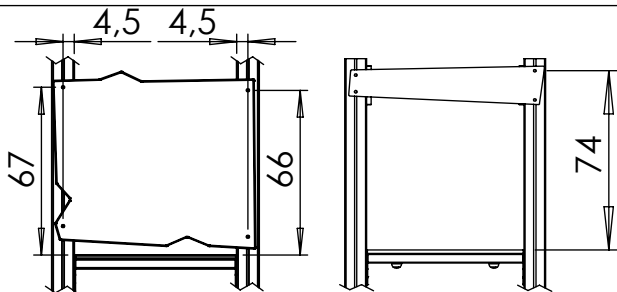
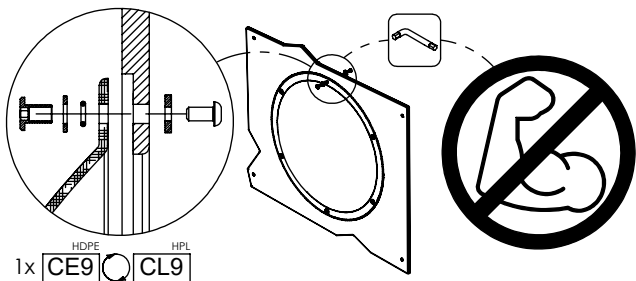
16x 8x50sxi



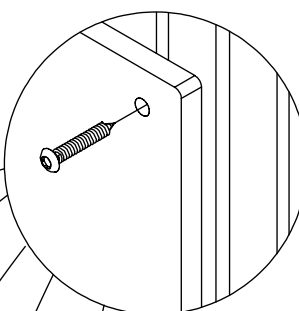
[cm]

vinci  
play

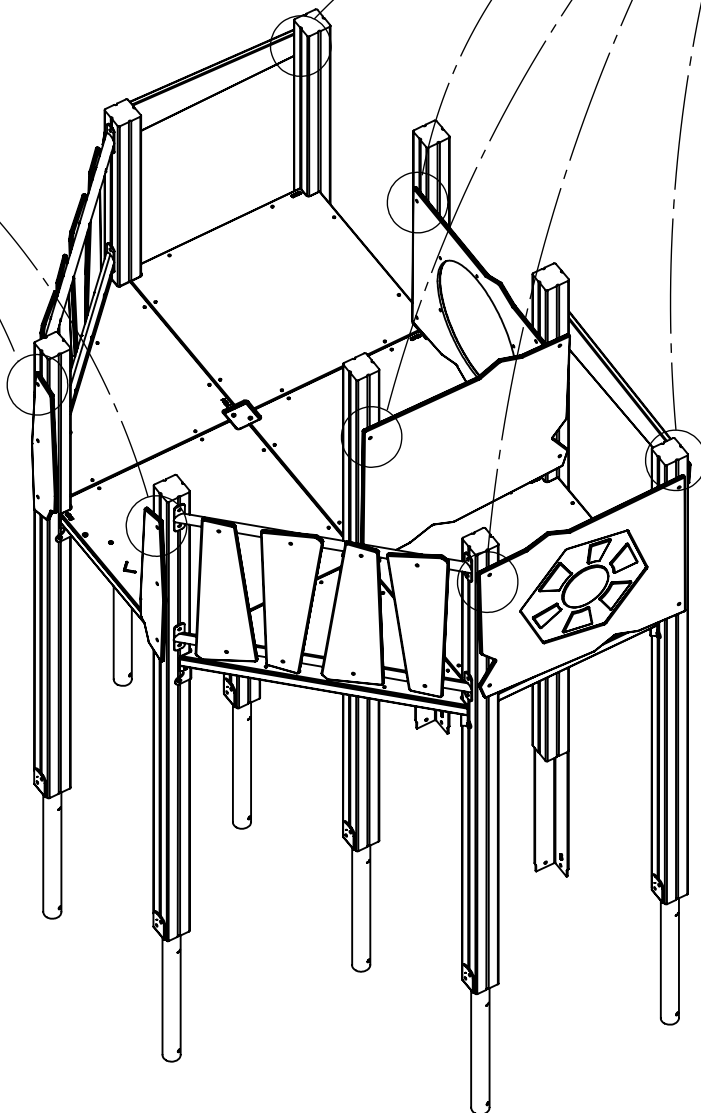




6x 8x50sxi



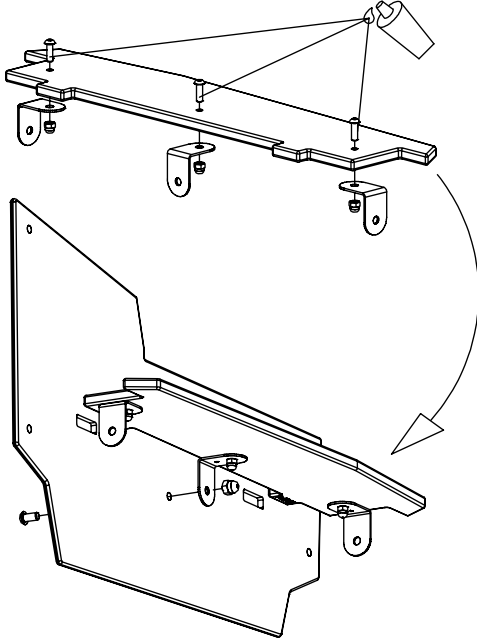
20x 8x50sxi



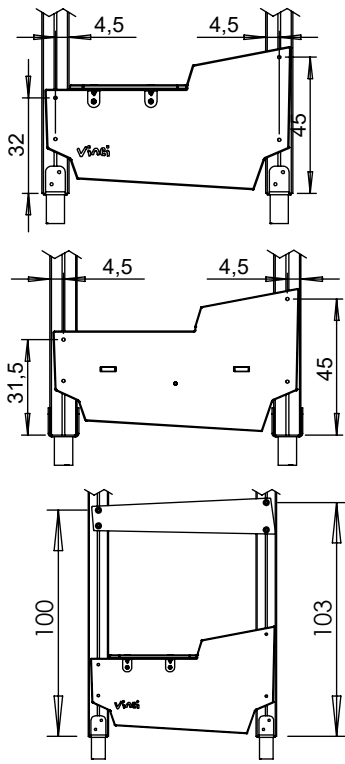
[cm]

vinci  
play

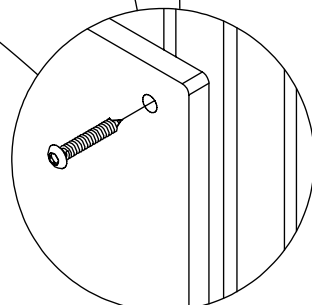
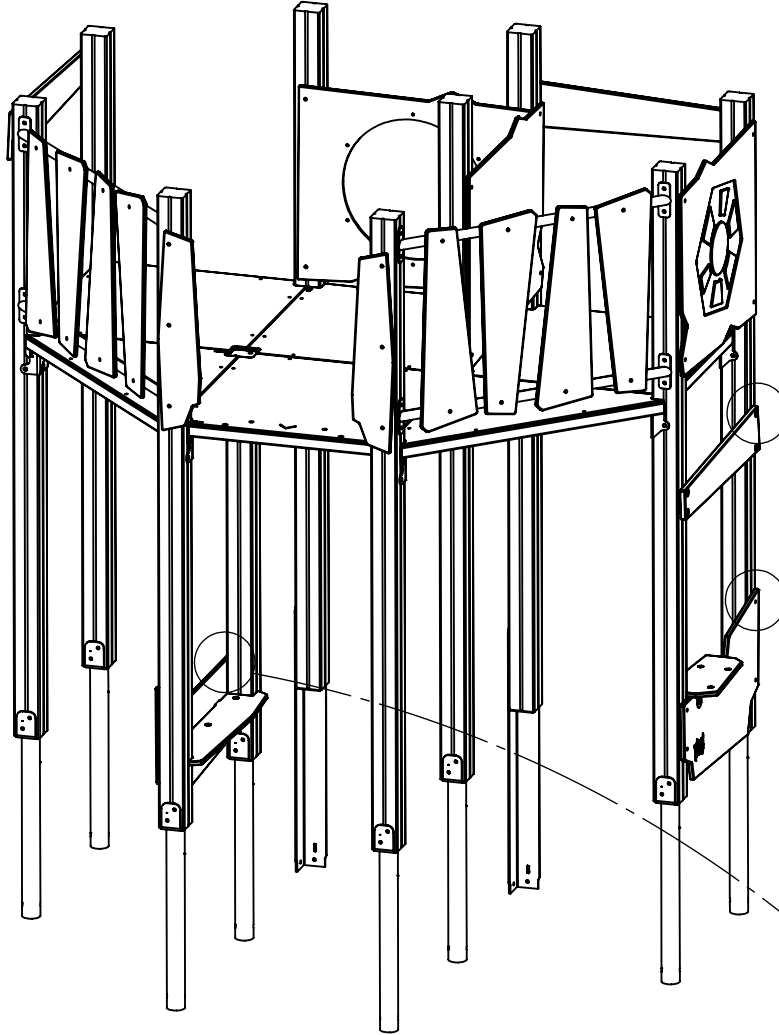
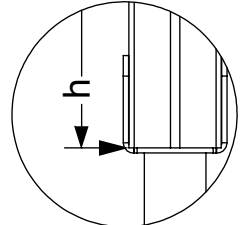
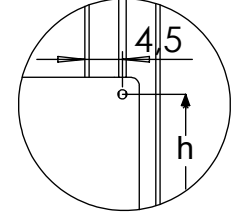
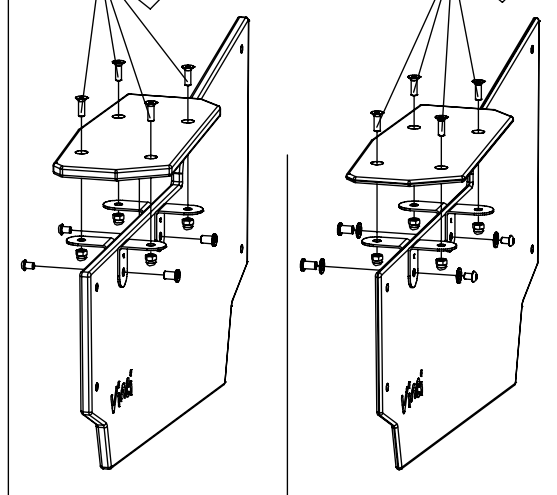
PLYWOOD  
WD40 ○ HPL  
WD41



HDPE  
WD112 ○ HPL  
WD137



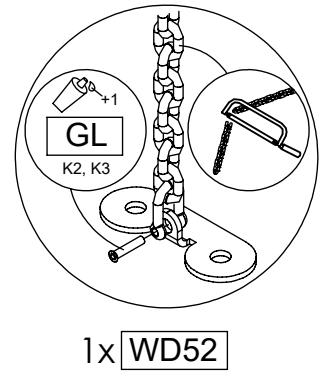
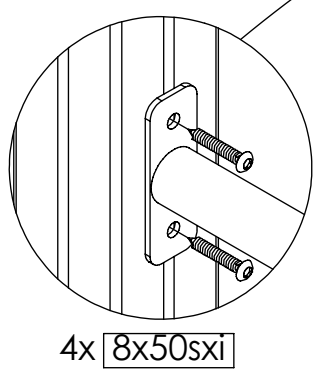
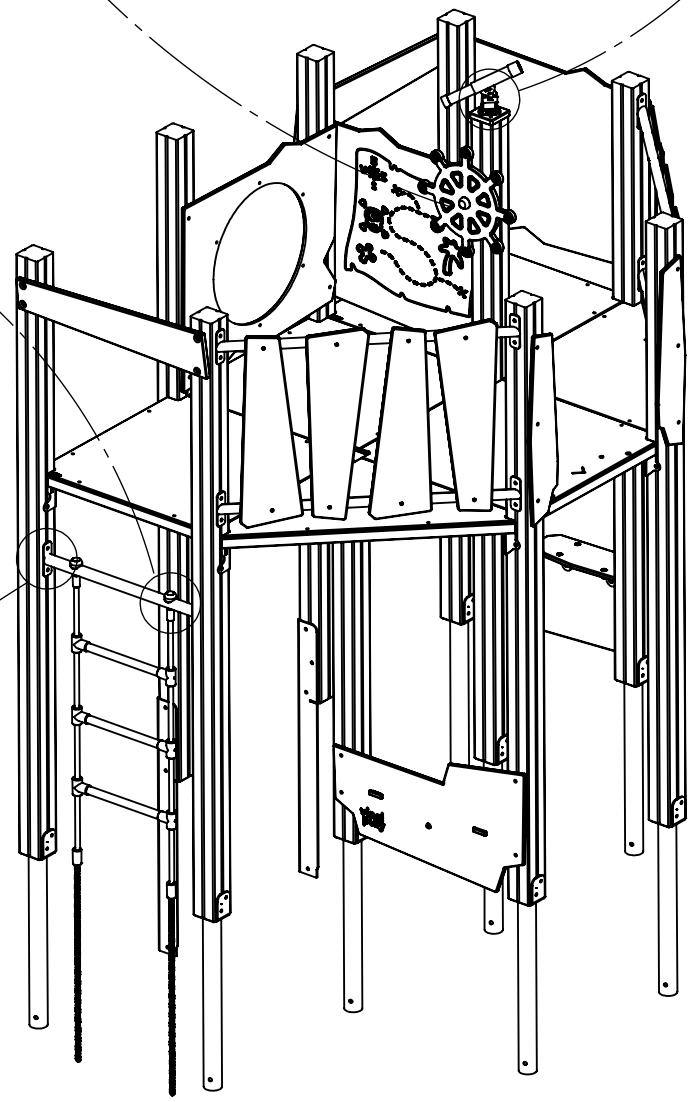
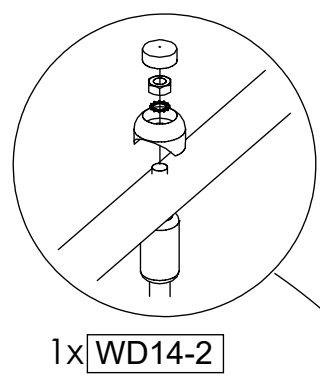
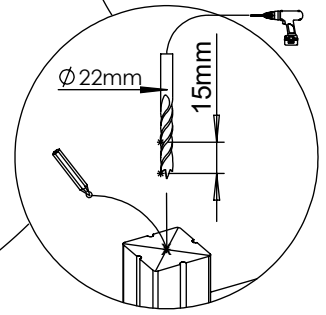
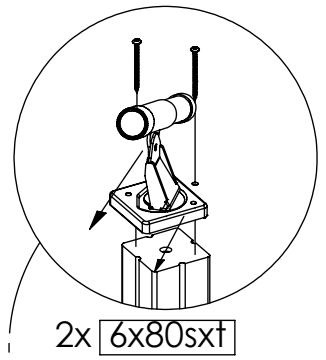
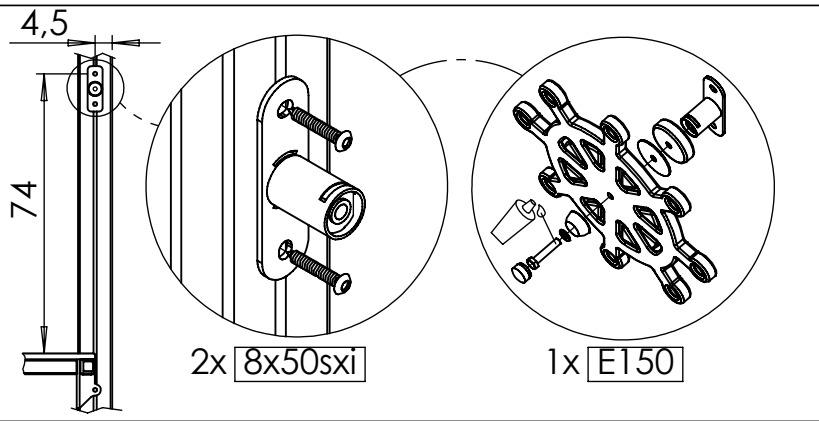
HDPE  
CE6 ○ HPL  
CL6



14x 8x50sxi

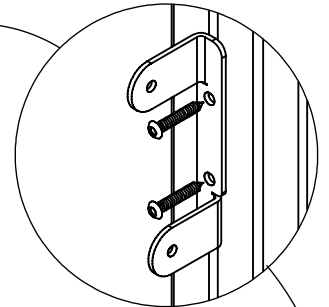
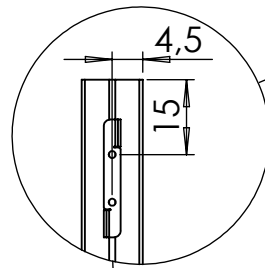
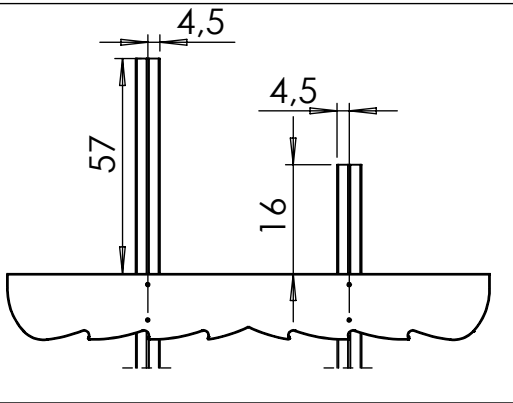
[cm]

vinci  
play

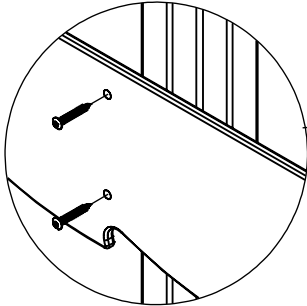


[cm]

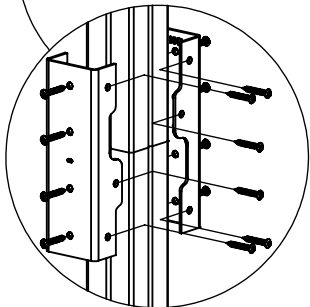
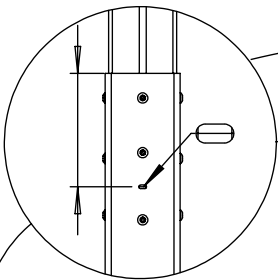
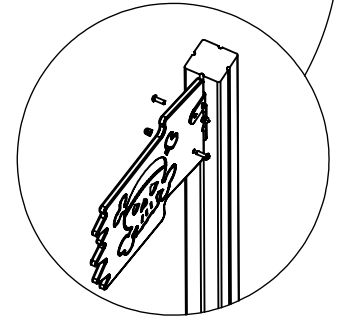
vinci  
play



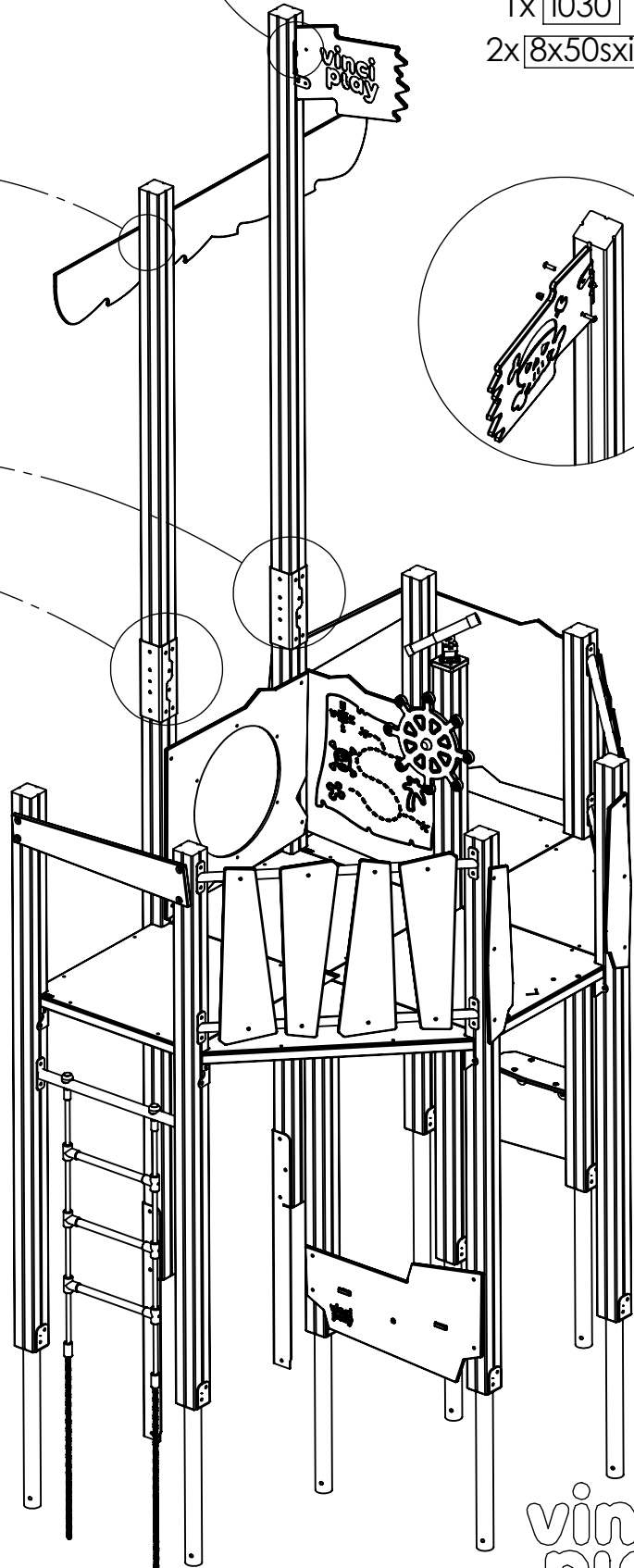
1x [i030]  
2x [8x50sxi]



4x [8x50sxi]

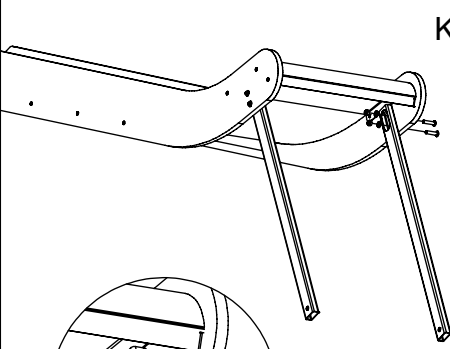


40x [8x50sxi]



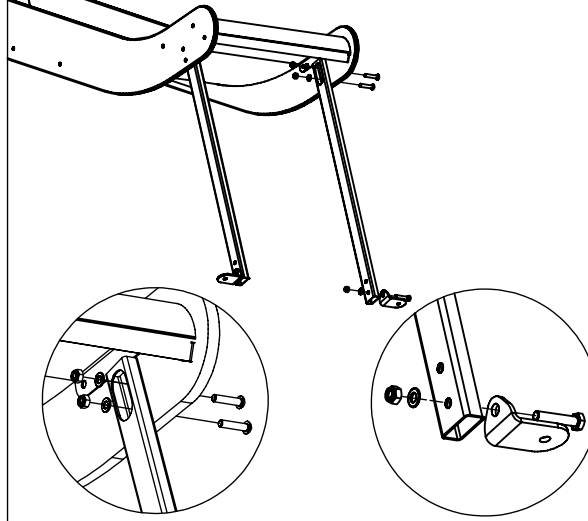
vinci  
play

K1



1x E34

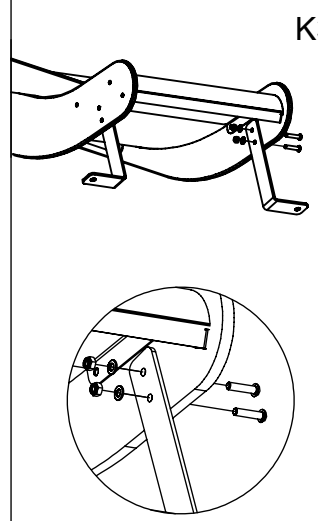
K2



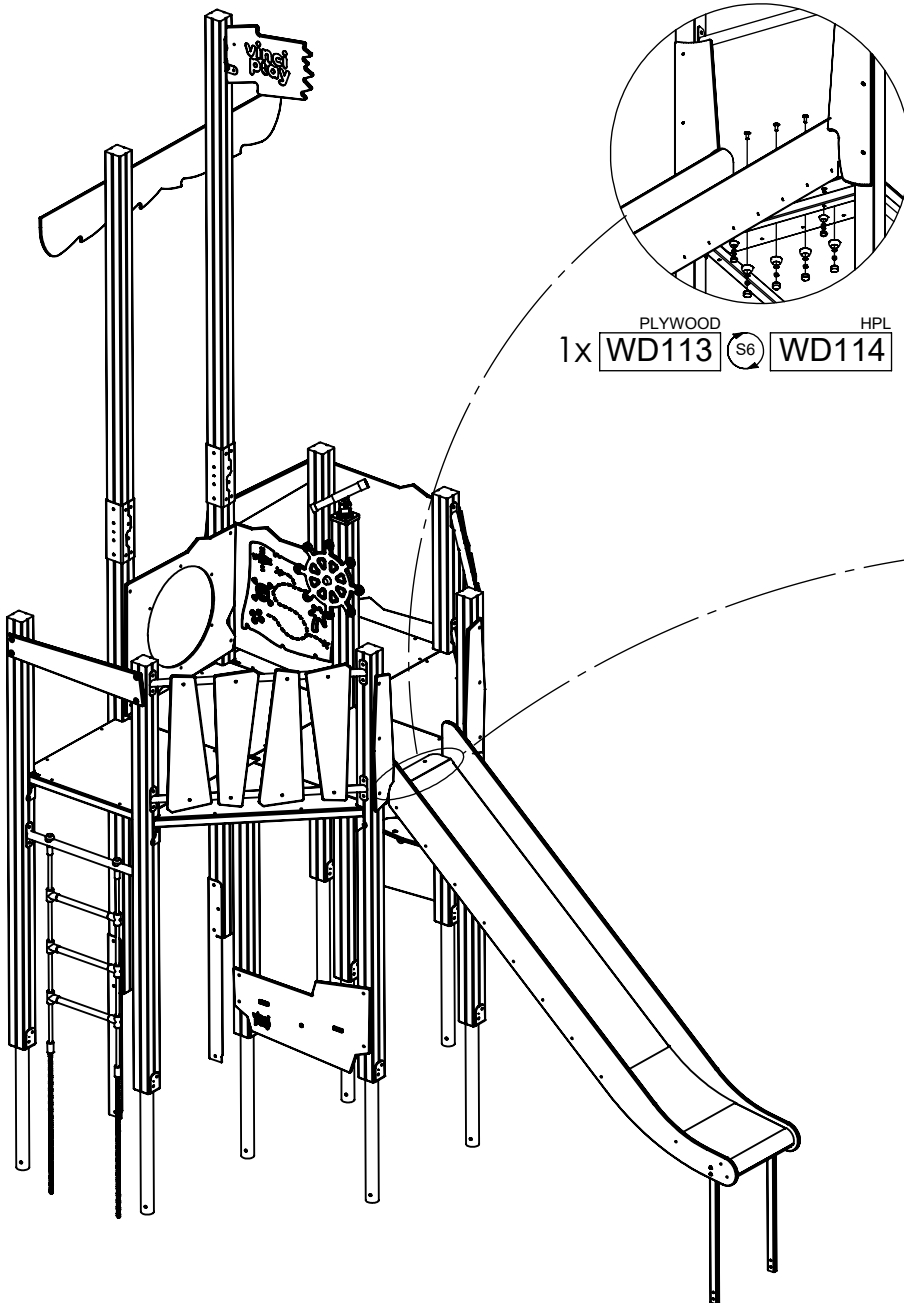
1x E35

1x E35

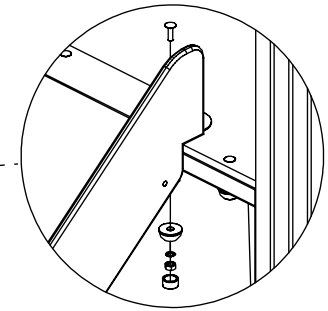
K3



1x E34



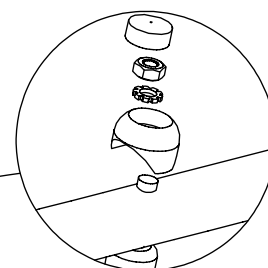
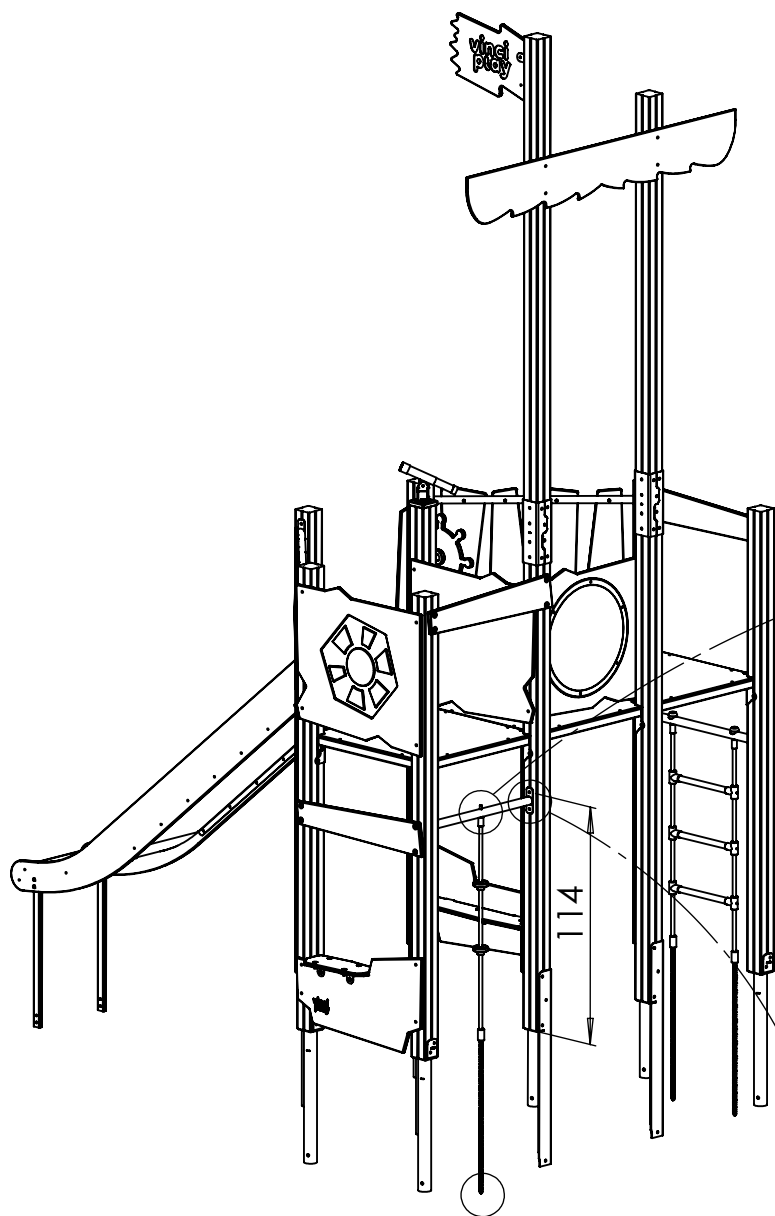
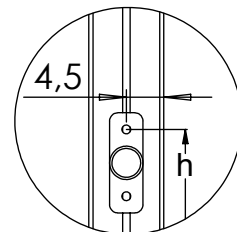
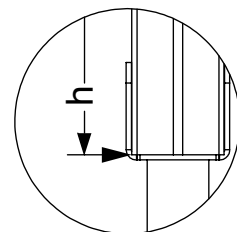
PLYWOOD 1x WD113 S6 HPL WD114



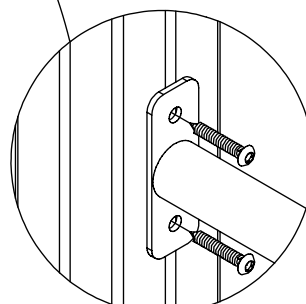
PLYWOOD 1x WD28 S1 HPL WD29

[cm]

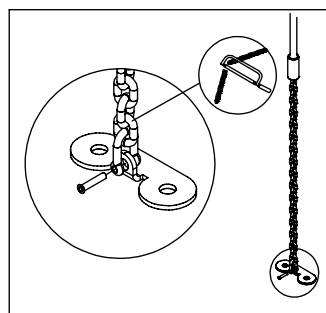
vinci play



1x **WD14-1**



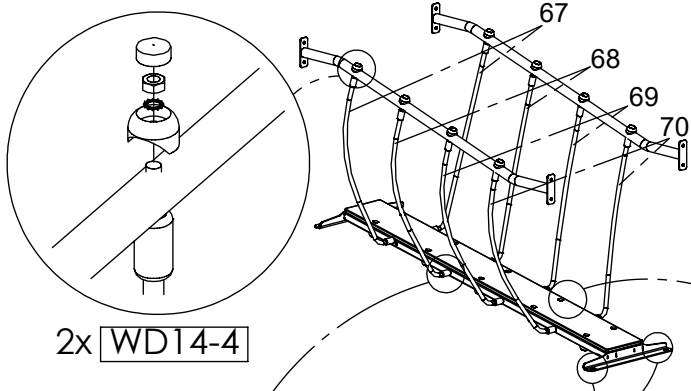
4x **8x50sxi**



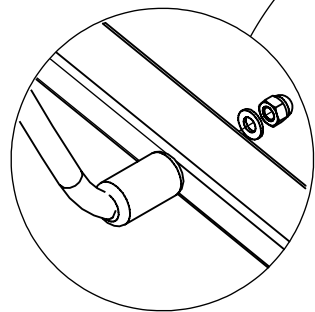
1x **WD52**

[cm]

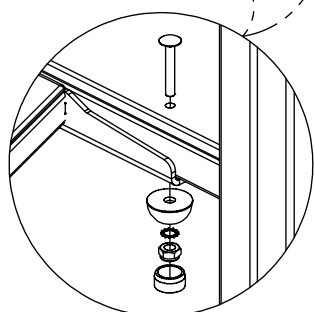
vinci  
play



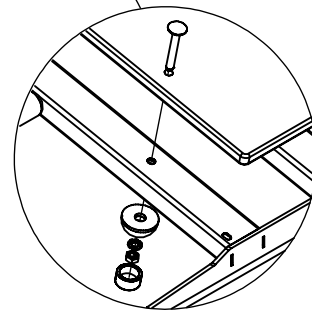
2x WD14-4



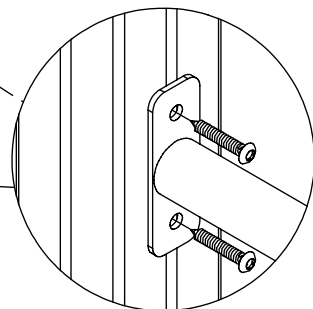
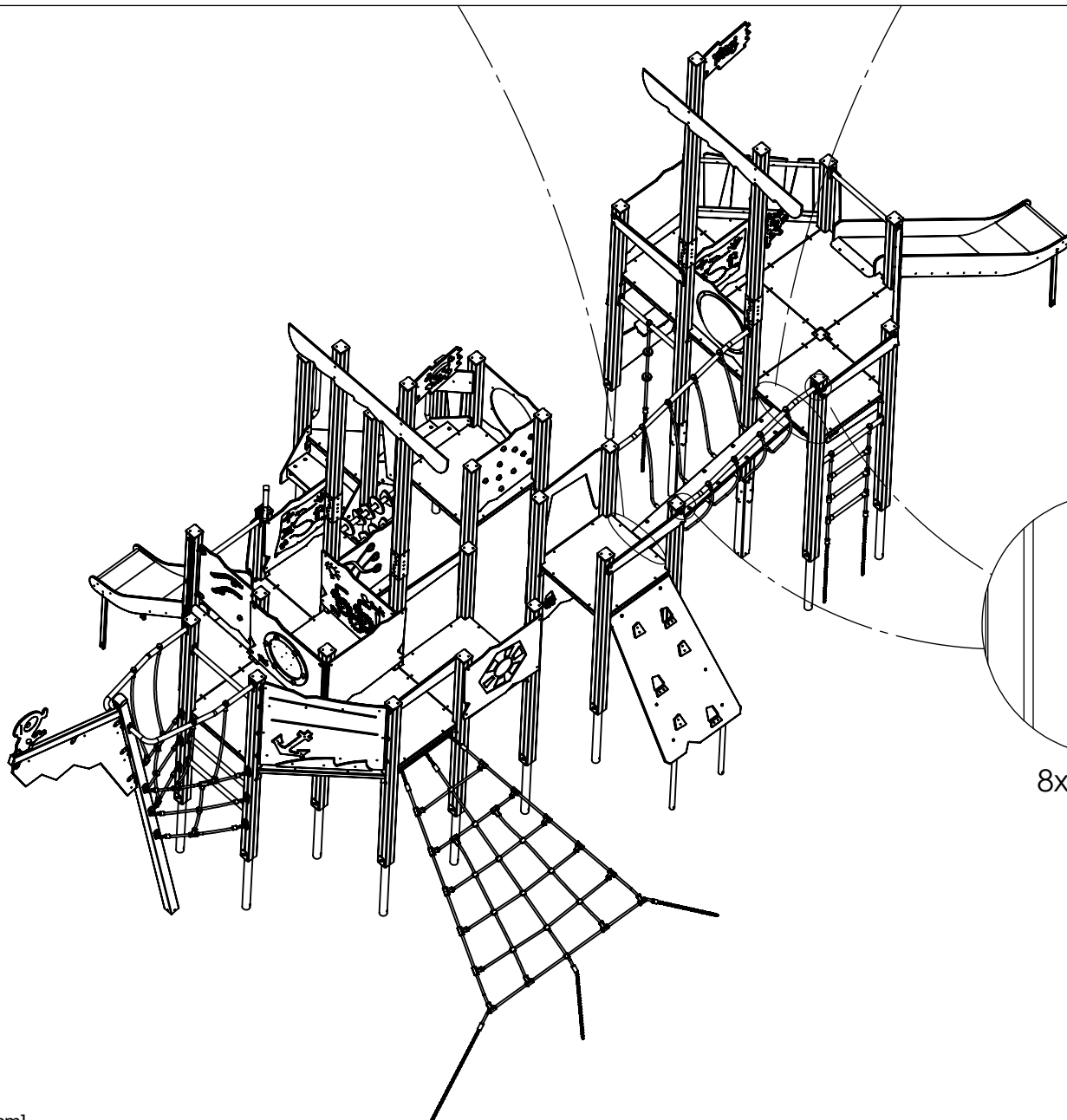
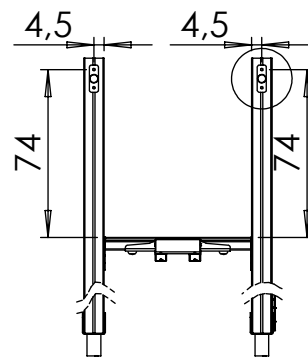
1x E10



2x PLYWOOD WD42 HPL WD43



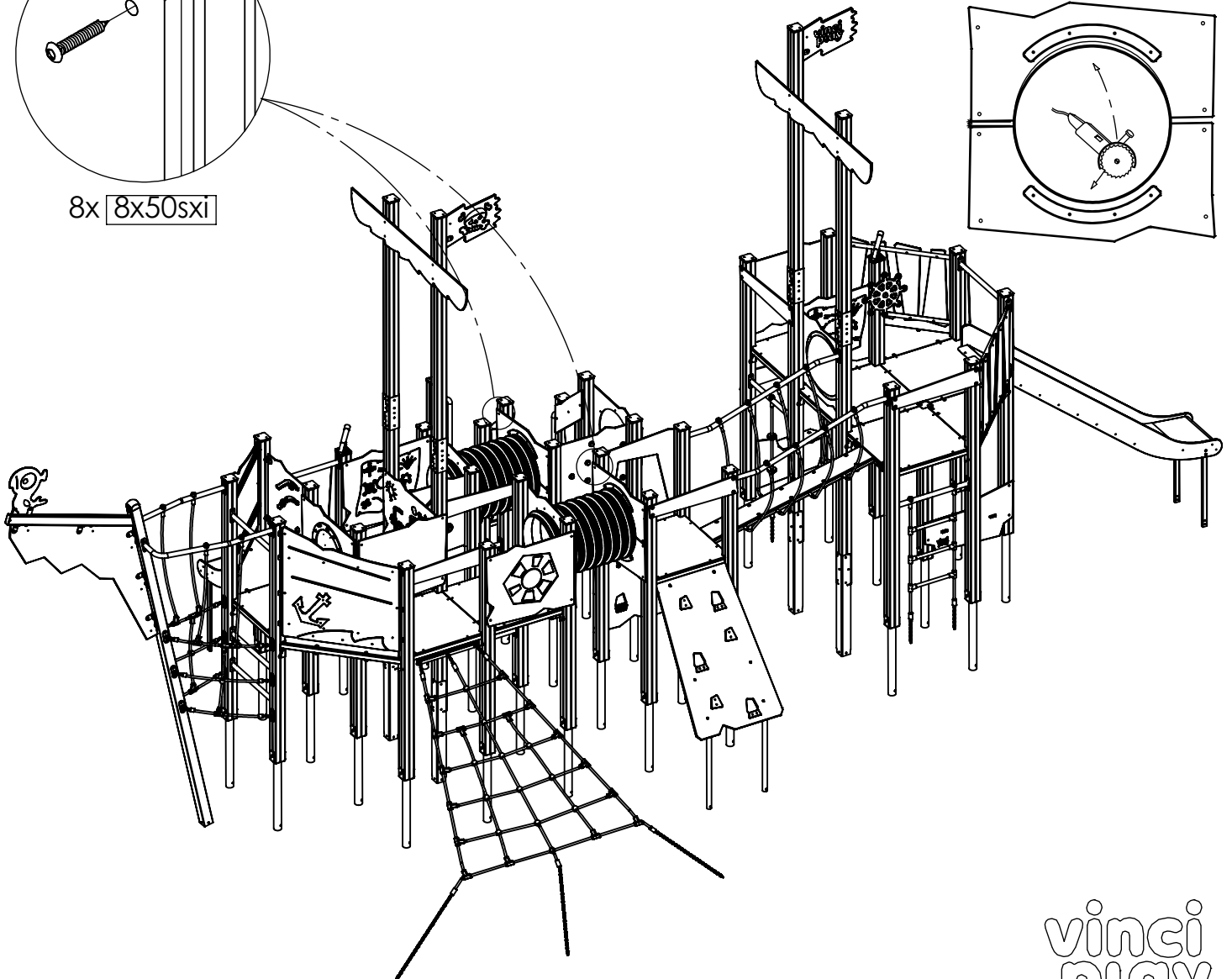
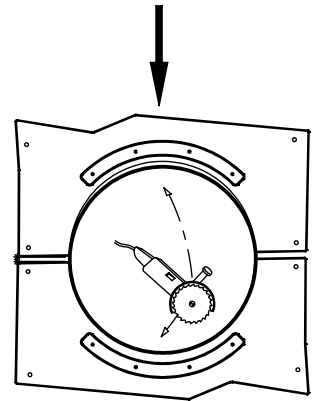
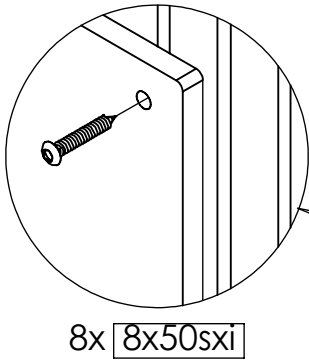
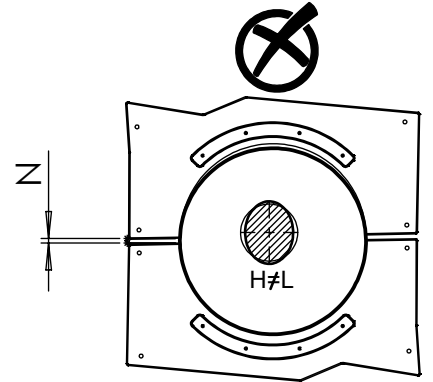
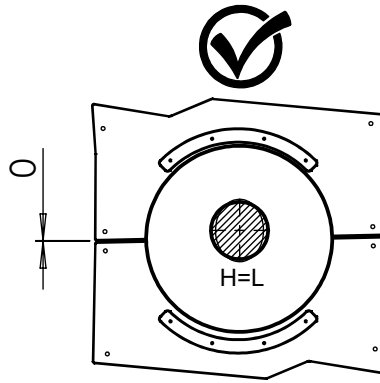
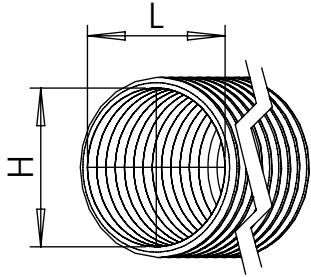
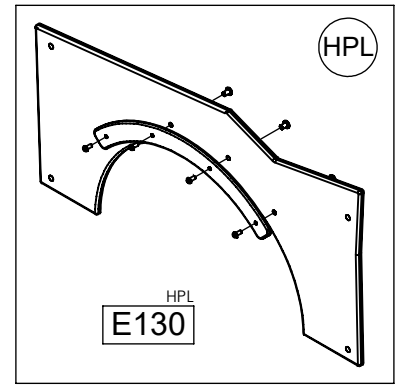
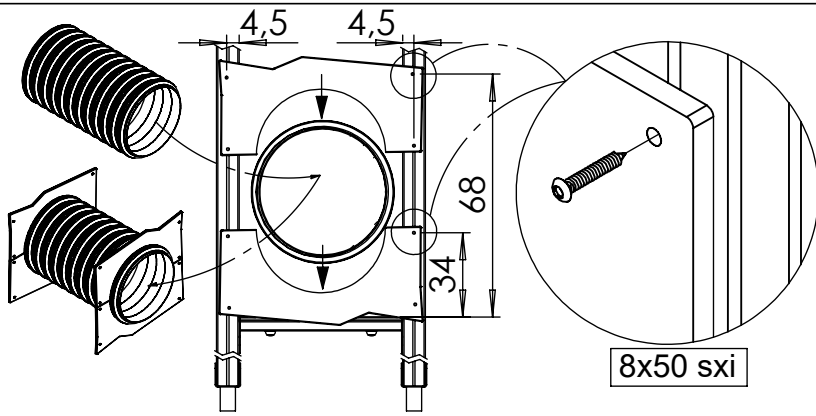
1x PLYWOOD PS52 HPL PH52



8x 8x50sxi

[cm]

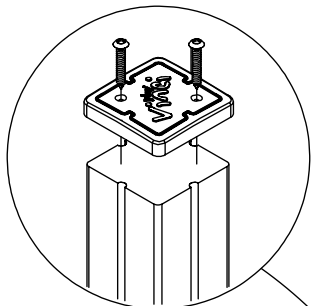
vinci play



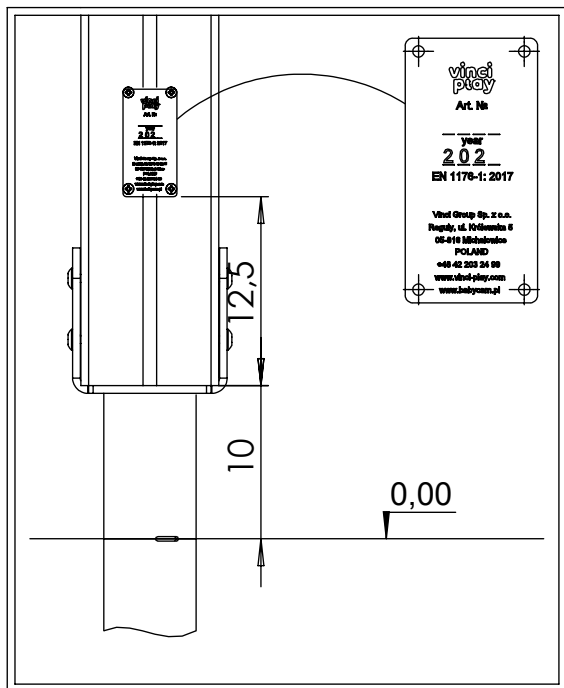
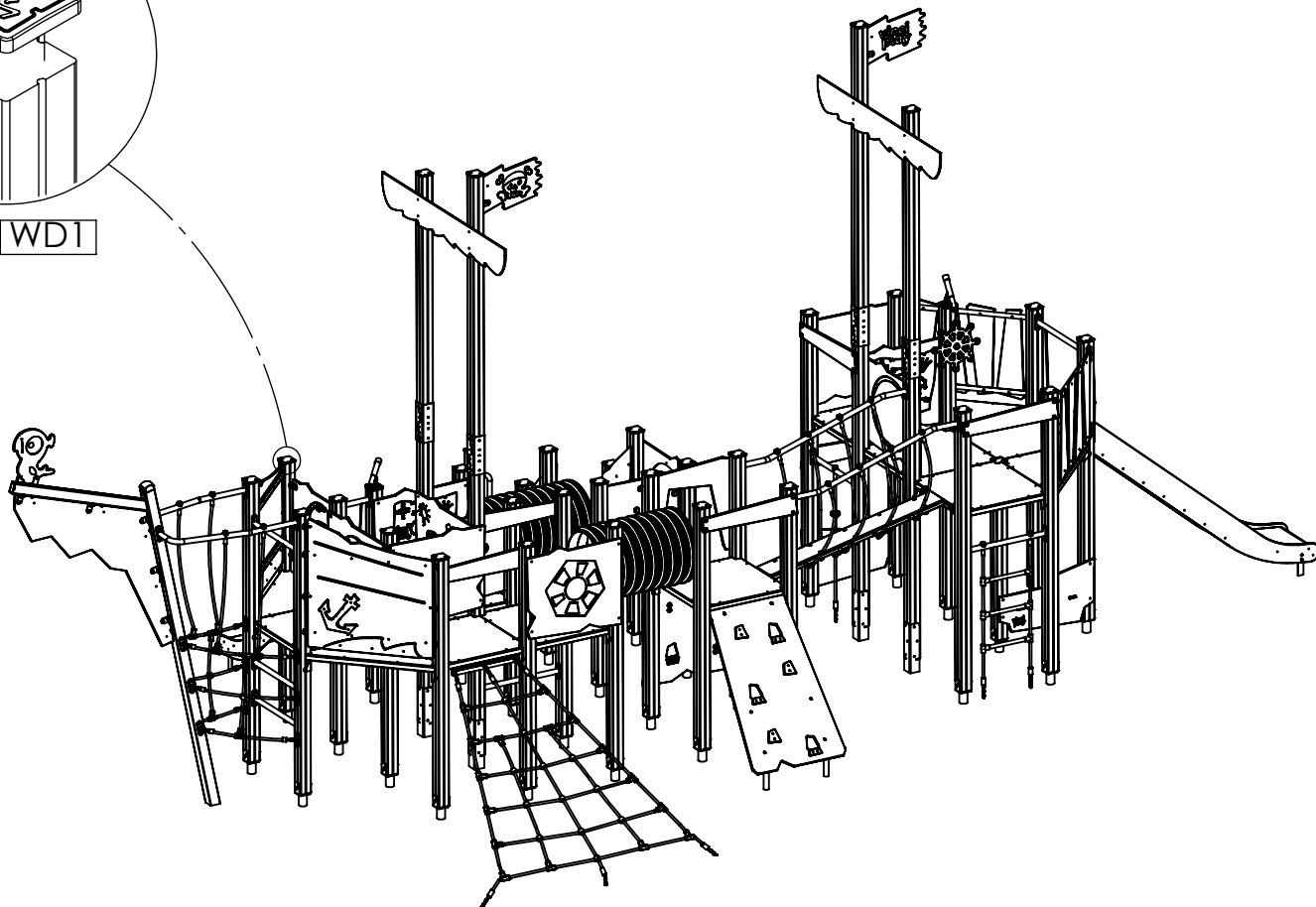
[cm]

vinci  
play

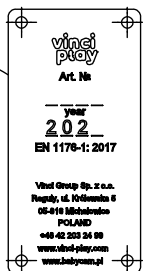




32x WDT



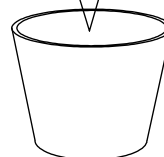
V001



Part No:  
000000-  
00000



000000-00000



[cm]

vinci  
play