

# SOLO WP2850



1+



15,0 m<sup>2</sup>

## Material specification

- Stainless steel construction,
- Gutter, tanks made of stainless steel, protected from the top with transparent polycarbonate,
- Gutter barriers made of rubber, HDPE and stainless steel,
- Plugs for gutters and tanks made of stainless steel and plastic,
- Water Mill wheel made of stainless steel and polycarbonate,
- Tap made of surgical stainless steel AISI 316, intended for connection to the public water supply network,
- Stainless steel screws and/or screws covered with plastic caps,



**Facilitating disability**



easy access



**Intellectual development**

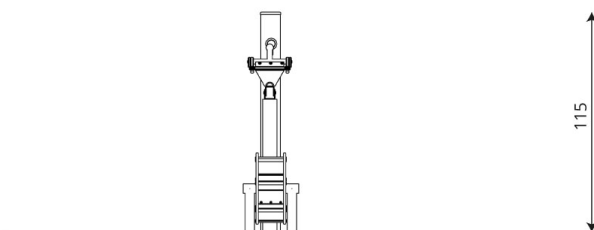
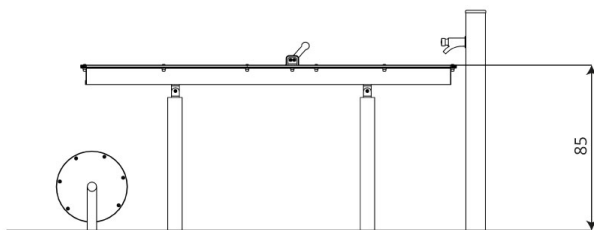
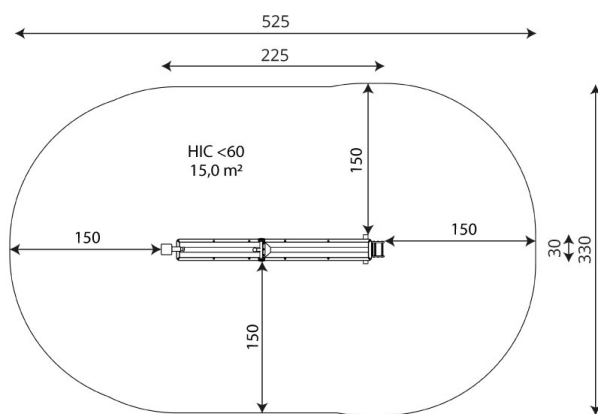


sensorics



thinking





## Product technical sheet

# SOLO WP2850

### Product data

Length	225 cm
Width	30 cm
Total height	115 cm
Age group	1+ years
Safety zone	15,0 m2
Free fall height	< 60 cm
In accordance with norm EN	1176-1:2017
Weight of the heaviest part	5,1 kg
Availability of spare parts	YES

Data is subject to change without prior notice.

### Additional information

- equipment adapted for the disabled; intended for public playgrounds;
- anchoring on flat surface, 80/70/60 cm deep;
- render is for reference only, the actual appearance of the equipment and its color may vary;

## Guarantee

**30**

30 year guarantee - Structural strength of steel and stainless steel components

**15**

15 year guarantee - Structural failure of steel and stainless steel, for dynamic equipment

**10**

10 year guarantee - Structural failure of high density polyethylene and high pressure laminates components

**5**

5 year guarantee - Corrosion of stainless steel and hot dip galvanized and powder coated components; against bark beetles and rot in case of wooden structural elements

Detailed information in the guarantee card



## Surfaces according to EN 1176-1:2017

	Description (mm)	Layer thickness (cm)	Maximum fall heights (cm)
Turf/ top layer of soil (A,B,C)	-	-	≤100
bark (A,C)	Particle size from 20 to 80	30	≤200
		40	≤300
woodchips (A,C)	Particle size from 5 to 30	30	≤200
		40	≤300
sand or gravel (A,C)	Particle size from 0,25 to 8	30	≤200
		40	≤300
synthetic attested (A,B,C)	Tested according to EN 1177		< 60

## Product technical sheet

# SOLO WP2850

### Amount of safe surface corresponding with free fall height:

HIC <60 15,0 m<sup>2</sup>

Data is subject to change without prior notice.

