

& Tradition

The Collection 2026

ADDA FEBRUARI 2025
GÄLLANDE ARMATURER FINNS DET MED
ARMATURER SOM HAR STICKROPP OCH
LEDNING ALTERNATIVT ÄR PORTABLA.
LJUSKÄLLA INGÅR EJ, OM DET INTE ÄR
BUILT IN LED

Price list 2026 - Valid from February 4th
Currency: SEK

Certified



Corporation

Furniture

Rely ^{HW118-HW122}

Design Hee Welling | 2026
Category Counter stool
Variants Plastic, Upholstery

Price* from 4.170 SEK

p. 152

Rely ^{HW123-HW127}

Design Hee Welling | 2026
Category Bar stool
Variants Plastic, Upholstery

Price* from 4.170 SEK

p. 158

Rely ^{HW128-HW132}

Design Hee Welling | 2026
Category Counter chair
Variants Plastic, Upholstery

Price* from 4.620 SEK

p. 164

Rely ^{HW133-HW137}

Design Hee Welling | 2026
Category Bar chair
Variants Plastic, Upholstery

Price* from 4.620 SEK

p. 170

Ita ^{OS5 & OS6}

Design OEO Studio | 2025
Category Seat pad
Variants Upholstery

Price* from 2.380 SEK

p. 199

Kape ^{IF7}

Design Industrial Facility | 2026
Category Side chair
Variants Warm Black or Polished Aluminium frame with Upholstery

Price* from 7.455 SEK

p. 202

Develius ^{EV3}

Design Edward van Vliet | 2026
Category Coffee table
Variants Ivory, Stone Grey

Price* 8.950 SEK

p. 328

Thorvald ^{SC111}

Design Space Copenhagen | 2026
Category Dining bench
Variants Warm Black, Bronze Green, Ivory

Price* 6.710 SEK

p. 339

Thorvald ^{SC111}

Design Space Copenhagen | 2026
Category Seat pad or Cushion
Variants Heritage Char, Heritage Papyrus, Marquetry Bora

Price* from 2.230 SEK

p. 339

Thorvald ^{SC113}

Design Space Copenhagen | 2026
Category Dining Table
Variants Warm Black, Bronze Green, Ivory

Price* 11.935 SEK

p. 341

Thorvald ^{SC108}

Design Space Copenhagen | 2026
Category Coffee Table
Variants Warm Black, Bronze Green, Ivory

Price* 5.965 SEK

p. 342

Thorvald ^{SC109}

Design Space Copenhagen | 2026
Category Coffee Table
Variants Warm Black, Bronze Green, Ivory

Price* 8.200 SEK

p. 342

Furniture

Thorvald SC110

Design Space Copenhagen | 2026
Category Lounge Sofa
Variants Warm Black, Bronze Green, Ivory

Price* 8.950 SEK
p. 344

Thorvald SC110

Design Space Copenhagen | 2026
Category Seat pad or Cushion
Variants Heritage Char, Heritage Papyrus, Marquetry Bora

Price* from 2.530 SEK
p. 344

Thorvald SC112

Design Space Copenhagen | 2026
Category Bench
Variants Warm Black, Bronze Green, Ivory

Price* 5.215 SEK
p. 345

Thorvald SC112

Design Space Copenhagen | 2026
Category Seat pad
Variants Heritage Char, Heritage Papyrus, Marquetry Bora

Price* from 2.230 SEK
p. 345

Rely HW138

Design Hee Welling | 2026
Category Outdoor Side Chair
Variants Red Brown, Beige Sand, Light Blue

Price* 2.830 SEK
p. 352

NEW VARIANTS

Flowerpot ^{VP3}

Design Verner Panton | 1968
Category Table lamp
New Steel Blue, Ivory, Zesty
Variants Orange

Price* 3.425 SEK

p. 393

NEW VARIANTS

Flowerpot ^{VP4}

Design Verner Panton | 1968
Category Table lamp
New Steel Blue
Variants

Price* 3.425 SEK

p. 394

NEW VARIANTS

Flowerpot ^{VP9}

Design Verner Panton | 1968
Category Portable lamp
New Steel Blue, Ivory, Zesty
Variants Orange

Price* 2.080 SEK

p. 396

NEW VARIANTS

Flowerpot ^{VP12}

Design Verner Panton | 1969
Category Floor lamp
New Steel Blue
Variants

Price* 7.155 SEK

p. 397

Lighting

NEW VARIANTS

Journey ^{SHY4}

Design Signe Hytte | 2026

Category Floor Lamp

Variants Brushed Steel

Price* 9.695 SEK

p. 405

Caret ^{MF1}

Design Matteo Fogale | 2022

Category Portable lamp

New Variants Antracite, Forest

Price* 2.230 SEK

p. 415

Index

Chairs and Lounge Chairs

Catch p. 19-20	JH1	JH2	JH15	JH13	JH14
--------------------------	-----	-----	------	------	------

Catch p. 21	JH16	JH17
-----------------------	------	------

Elefy p. 22-25	JH28	JH29	JH30	JH31
--------------------------	------	------	------	------

Elefy p. 26-29	JH32	JH33	JH34	JH35
--------------------------	------	------	------	------

Elefy p. 30-31	JH36	JH37
--------------------------	------	------

In Between p. 32-36	SK1	SK2	SK7	SK8	SK9	SK10
-------------------------------	-----	-----	-----	-----	-----	------

Pavilion p. 37-43	AV1	AV2	AV3	AV4	AV12	AV13
-----------------------------	-----	-----	-----	-----	------	------

Pavilion p. 44-46	AV51	AV52	AV53
-----------------------------	------	------	------

Pavilion p. 47-49	AV5	AV6	AV11
-----------------------------	-----	-----	------

Pavilion p. 50-55	AV7	AV8	AV14	AV9	AV10	AV15
-----------------------------	-----	-----	------	-----	------	------

Pavilion p. 56	AV36	AV37	AV38
--------------------------	------	------	------

Rely p. 57-61	HW6	HW7	HW8	HW9	HW10
-------------------------	-----	-----	-----	-----	------

Rely p. 62-72	HW11 HW16	HW12 HW17	HW13 HW18	HW14 HW19	HW15 HW20
-------------------------	--------------	--------------	--------------	--------------	--------------

Rely p. 73-77	HW21	HW22	HW23	HW24	HW25
-------------------------	------	------	------	------	------

Rely p. 78-79	HW26	HW27
-------------------------	------	------

Rely p. 80-84	HW65	HW66	HW67	HW68	HW69
-------------------------	------	------	------	------	------

Rely p. 85-89	HW28	HW29	HW30	HW31	HW32
-------------------------	------	------	------	------	------

Rely p. 90-94	HW33	HW34	HW35	HW36	HW37
-------------------------	------	------	------	------	------

Index

Rely p. 95-105	HW38 HW43	HW39 HW44	HW40 HW45	HW41 HW46	HW42 HW47	
Rely p. 106-110	HW48	HW49	HW50	HW51	HW52	
Rely p. 111-115	HW53	HW54	HW55	HW56	HW57	
Rely p. 116-121	HW71	HW72	HW73	HW74	HW75	
Rely p. 122-127	HW76	HW77	HW78	HW79	HW80	
Rely Counter stool p. 128-133	HW81	HW82	HW83	HW84	HW85	
Rely Bar stool p. 134-139	HW86	HW87	HW88	HW89	HW90	
Rely Counter chair p. 140-145	HW91	HW92	HW93	HW94	HW95	
Rely Bar chair p. 146-151	HW96	HW97	HW98	HW99	HW100	
Rely Counter stool p. 152-157	HW118 NEW	HW119 NEW	HW120 NEW	HW121 NEW	HW122 NEW	
Rely Bar stool p. 158-163	HW123 NEW	HW124 NEW	HW125 NEW	HW126 NEW	HW127 NEW	
Rely Counter chair p. 164-169	HW128 NEW	HW129 NEW	HW130 NEW	HW131 NEW	HW132 NEW	
Rely Bar stool p. 170-175	HW133 NEW	HW134 NEW	HW135 NEW	HW136 NEW	HW137 NEW	
Rely Lounge chair p. 176-181	HW101	HW102	HW103	HW104	HW105	
Rely Seat Pad p. 182-184	Seat Pad	Armchair Seat Pad	Stool Seat Pad			
Allwood p. 185	AV35	AV35				
Betty p. 186-189	TK1	TK2	TK3	TK9	TK10	TK11
Betty p. 190-191	TK4 TK5		TK7 TK8			

Index

Betty p. 192-195	TK12	TK13	TK14	TK15	TK16	TK17
----------------------------	------	------	------	------	------	------

Daystak p. 196	RD1
--------------------------	-----

Drawn p. 197	HM3	HM4	Seat Pad
------------------------	-----	-----	----------

Ita p. 198	OS5	OS6
----------------------	-----	-----

Ita p. 199	OS5 Seatpad NEW	OS6 Seatpad NEW
----------------------	------------------------------	------------------------------

RFH p. 200-201	RD7	RD8
--------------------------	-----	-----

Kape p. 202	IF7 NEW
-----------------------	-------------------

Massif p. 203	AV39	AV40
-------------------------	------	------

Index

Lounge Chairs and Sofas

Boomerang HM1 HM2
p. 205-206

AX HM11
p. 208

Little Petra VB1 VB2 VB3 ATD1
p. 209-214

Wulff ATD2 ATD3
p. 215-217

Margas LC1 LC2 LC3 LC4 LC5
p. 218-222

Meantime AV29 AV30 AV31
p. 223-225

Muno LN16 LN17 LN18 LN19 LN20
p. 226-230

Loafer SC106 SC24 SC107 SC23
p. 231-234

Loafer SC25 SC26
p. 235-236

Inland AV21 AV22 AV23 AV41
p. 237-240

Inland AV42 AV32
p. 241-242

Mayor AJ5 AJ6
p. 243-244

Cloud LN1 LN2 LN3.2
p. 245-247

Cloud LN5 LN6 LN7
p. 248-250

Develius EV1A- EV1J- EV2A- EV2J-
p. 251-259 EV1I EV1K  EV1G EV2K

Develius Mellow EV8A- EV8K
p. 260-264

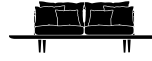
Develius Cushion EV5- EV6 EV7
p. 265 EV7

Index

Isole NN1A-
p. 266-267 NN1G

Hi Lo AV54 AV55
p. 268-269

Fly SC10 SC1 SC2 SC3 SC12 SC9
p. 270-275



Index

Tables

Fly p. 276-277	SC4		SC5		SC11
--------------------------	-----	--	-----	--	------

Sett p. 278	LN11		LN12		LN13
-----------------------	------	--	------	--	------

In Between p. 279-280	SK13 SK14 SK15		SK23 SK24		
---------------------------------	----------------------	--	--------------	--	--

In Between p. 281-284	SK16	SK17	SK3 SK4		MTO
---------------------------------	------	------	------------	--	-----

In Between p. 285-286	SK5	SK6		MTO	
---------------------------------	-----	-----	--	-----	--

In Between p. 287-290	SK11 SK12	SK20	MTO		MTO
---------------------------------	--------------	------	-----	--	-----

In Between p. 291-293	MTO		SK21	SK22	
---------------------------------	-----	--	------	------	--

In Between p. 294-295	SK25 SK26	SK27 SK28			
---------------------------------	--------------	--------------	--	--	--

Patch p. 296-297	HW1		HW2		
----------------------------	-----	--	-----	--	--

Drip p. 298	HW115		HW116		HW117
-----------------------	-------	--	-------	--	-------

Drip p. 299-301	HW58		HW59		HW60
---------------------------	------	--	------	--	------

Drip p. 302-312	HW61 HW62	HW63 HW64	HW111 HW112	HW113 HW114	MTO
---------------------------	--------------	--------------	----------------	----------------	-----

Ita p. 313-314	OS1	OS2		OS3	OS4
--------------------------	-----	-----	--	-----	-----

Pavilion p. 315	AV16		AV17		
---------------------------	------	--	------	--	--

Pavilion p. 316	AV18		AV19		AV24
---------------------------	------	--	------	--	------

Daystak p. 317	RD2	RD3			
--------------------------	-----	-----	--	--	--

Drop Leaf p. 318	HM5	HM6			
----------------------------	-----	-----	--	--	--

Pinwheel p. 319	HM7				
---------------------------	-----	--	--	--	--

Index

X HM13
p. 320

Lato LN8 LN9
p. 321

Tung JA3
p. 322

Palette JH7 JH9 JH25
p. 323-325

Halten SH9
p. 327

Develius EV3
p. 328 **NEW**

Storage

Alima NDS1
p. 329

Guild HM14 HM15
p. 330











Rotate SC73
p. 331

Archivo JH43 JH44 JH45
p. 333

Rombe IF1 IF2 IF3 IF4 IF5 IF6
p. 334-337

Index

Outdoor

Thorvald p. 338	SC94	SC95	Seat Pad 	Cushion 	
Thorvald p. 339	SC111 NEW	Seat Pad NEW	Cushion NEW		
Thorvald p. 340	SC96	SC97			
Thorvald p. 341	SC98	SC113 NEW	SC99		
Thorvald p. 342	SC102	SC108 NEW	SC109 NEW		
Thorvald p. 343	SC100	SC101	Seat Pad 	Cushion 	
Thorvald p. 344	SC110 NEW	Seat Pad NEW	Cushion NEW		
Thorvald p. 345	SC112 NEW	Seat Pad NEW			
Ville p. 346	AV33	AV34	Cushion 		
Ville p. 347	AV44	AV45	AV46	Cushion 	Seat Pad 
Ville p. 348	AV27	AV28	AV47	Seat Pad 	 
Ville p. 349	AV25	AV26			
Ville p. 350	AV50				
RFH p. 351	RD4	Cushion	Seat Pad	RD5	RD6
Rely p. 352	HW138 NEW				

Index

Objects

Capture
p. 369

SC77

Amore
p. 375

SC49

SC50

SC56

Sillon
p. 376

SH4

SH5

SH7

Index

Bellevue AJ7
p. 384-386

Flowerpot VP3 VP4 VP9 VP12
p. 393-397

Copenhagen SC13 SC14
p. 402

Journey SHY1 SHY4
p. 405 NEW

Herman SHY3
p. 407

Montera JH42
p. 408

Index

Tripod HM8 HM9
p. 409

Mist AP17 AP21
p. 410-411

Lucca SC51
p. 412

Manhattan SC52
p. 413

Como SC53
p. 414

Caret MF1
p. 415

Raku SH8
p. 416

Setago JH27
p. 417

Pivot ATD7
p. 418

Index

Product information

Table Settings

p. 419-422

Maintenance and Care

p. 437

Fabric Overview

p. 440

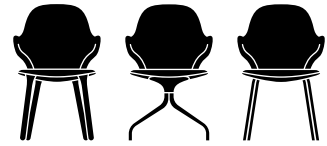
Information regarding lead times

Kindly note that lead times are stated excluding transport from the &Tradition warehouse.

Catch JH1, JH2 & JH15

Jaime Hayon

2013 & 2017



Fabric gr.	Upholstery	Product code	Base	Lead time	Weight	PRICE EX. VAT (SEK)	PRICE INC. VAT (SEK)
Fabric gr. 1	Grain, Hot Madison, Remix, Re-Wool	JH1	Solid Oak	6-8 weeks	8.50 kg	6.980	8.725
		JH2	Swivel	6-8 weeks	9.50 kg	8.172	10.215
		JH15	Tube	6-8 weeks	8.50 kg	6.980	8.725
Fabric gr. 2	Asator, Barnum, Canvas, Fiord	JH1	Solid Oak	6-8 weeks	8.50 kg	7.576	9.470
		JH2	Swivel	6-8 weeks	9.50 kg	8.772	10.965
		JH15	Tube	6-8 weeks	8.50 kg	7.576	9.470
Fabric gr. 3	Clay, Hallingdal, Mylla, Steelcut Quartet, Steelcut Trio	JH1	Solid Oak	6-8 weeks	8.50 kg	7.816	9.770
		JH2	Swivel	6-8 weeks	9.50 kg	9.008	11.260
		JH15	Tube	6-8 weeks	8.50 kg	7.816	9.770
Fabric gr. 4	Acca, Beda, Cifrado, Ecriture, Moss, Vidar	JH1	Solid Oak	6-8 weeks	8.50 kg	8.772	10.965
		JH2	Swivel	6-8 weeks	9.50 kg	9.964	12.455
		JH15	Tube	6-8 weeks	8.50 kg	8.772	10.965
Fabric gr. 5	Gentle, Karakorum, Sisu	JH1	Solid Oak	6-8 weeks	8.50 kg	10.324	12.905
		JH2	Swivel	6-8 weeks	9.50 kg	11.516	14.395
		JH15	Tube	6-8 weeks	8.50 kg	10.324	12.905
Fabric gr. 6	Fuse	JH1	Solid Oak	6-8 weeks	8.50 kg	11.516	14.395
		JH2	Swivel	6-8 weeks	9.50 kg	12.712	15.890
		JH15	Tube	6-8 weeks	8.50 kg	11.516	14.395
Leather	Tailor Semi-aniline leather	JH1	Solid Oak	6-8 weeks	8.50 kg	11.160	13.950
		JH2	Swivel	6-8 weeks	9.50 kg	12.352	15.440
		JH15	Tube	6-8 weeks	8.50 kg	11.160	13.950
Leather	Noble Aniline leather	JH1	Solid Oak	6-8 weeks	8.50 kg	13.308	16.635
		JH2	Swivel	6-8 weeks	9.50 kg	14.500	18.125
		JH15	Tube	6-8 weeks	8.50 kg	13.308	16.635
Leather	Elmosoft Semi-aniline leather	JH1	Solid Oak	6-8 weeks	8.50 kg	15.100	18.875
		JH2	Swivel	6-8 weeks	9.50 kg	16.292	20.365
		JH15	Tube	6-8 weeks	8.50 kg	15.100	18.875
COM	Fabric	JH1	Solid Oak	6-8 weeks	8.50 kg	6.980	8.725
		JH2	Swivel	6-8 weeks	9.50 kg	8.172	10.215
		JH15	Tube	6-8 weeks	8.50 kg	6.980	8.725



Made using FSC® certified wood, supporting responsible environmental, social and economical management of the world's forests. Visit www.fsc.org

JH1: Felt gliders installed as standard.
JH2: Plastic gliders installed as standard.
JH15: Plastic gliders installed as standard. Felt gliders available upon request.

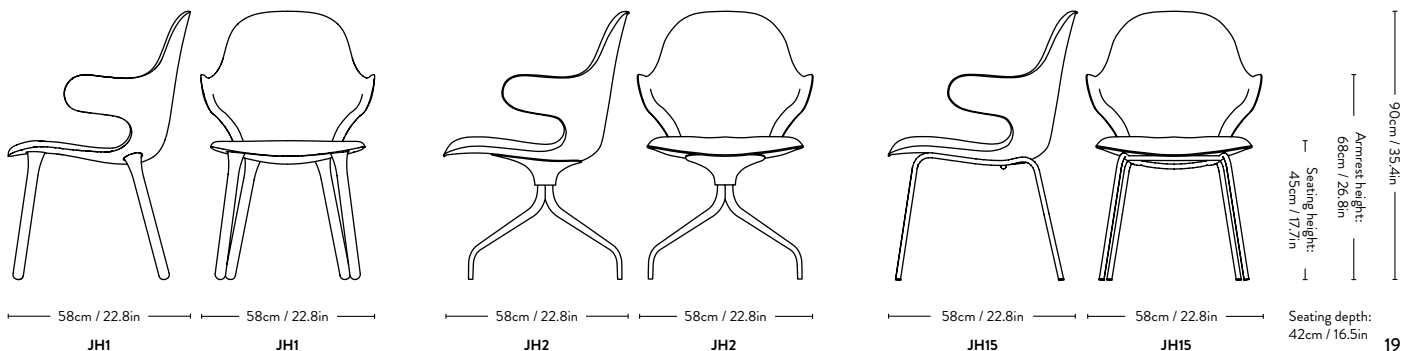
Base	Variant
Solid Oak	Oiled Oak, Smoked Oiled Oak, Water Based Black Lacquered Oak
Swivel	Powder Coated Black, Polished Aluminium
Tube	Powder Coated Black

Material: Moulded PU foam and HR foam.

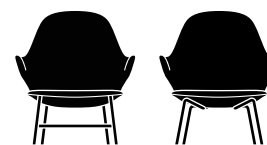
Fabric usage: 1.8 meters based on 140cm roll.

Leather usage: 5 square meters based on a yield of 60% pr hide.

COM must be approved by &Tradition to ensure suitability for upholstery.



Catch^{JH13 & JH14} Jaime Hayon 2017



Fabric gr.	Upholstery	Product code	Base	Lead time	Weight	PRICE EX. VAT (SEK)	PRICE INC. VAT (SEK)
Fabric gr. 1	Grain, Hot Madison, Remix, Re-Wool	JH13	Flat Tube	6-8 weeks	14.00 kg	13.428	16.785
		JH14	Round Tube	6-8 weeks	14.00 kg	12.352	15.440
Fabric gr. 2	Asator, Barnum, Canvas, Fiord	JH13	Flat Tube	6-8 weeks	14.00 kg	14.620	18.275
		JH14	Round Tube	6-8 weeks	14.00 kg	13.548	16.935
Fabric gr. 3	Clay, Hallingdal, Mylla, Steelcut Quartet, Steelcut Trio	JH13	Flat Tube	6-8 weeks	14.00 kg	15.216	19.020
		JH14	Round Tube	6-8 weeks	14.00 kg	14.144	17.680
Fabric gr. 4	Acca, Beda, Cifrado, Ecriture, Moss, Vidar	JH13	Flat Tube	6-8 weeks	14.00 kg	17.008	21.260
		JH14	Round Tube	6-8 weeks	14.00 kg	15.936	19.920
Fabric gr. 5	Gentle, Karakorum, Sisu	JH13	Flat Tube	6-8 weeks	14.00 kg	22.980	28.725
		JH14	Round Tube	6-8 weeks	14.00 kg	21.904	27.380
Fabric gr. 6	Fuse	JH13	Flat Tube	6-8 weeks	14.00 kg	25.368	31.710
		JH14	Round Tube	6-8 weeks	14.00 kg	24.292	30.365
Leather	Tailor Semi-aniline leather	JH13	Flat Tube	6-8 weeks	14.00 kg	18.204	22.755
		JH14	Round Tube	6-8 weeks	14.00 kg	17.128	21.410
Leather	Noble Aniline leather	JH13	Flat Tube	6-8 weeks	14.00 kg	21.784	27.230
		JH14	Round Tube	6-8 weeks	14.00 kg	20.712	25.890
Leather	Elmosoft Semi-aniline leather	JH13	Flat Tube	6-8 weeks	14.00 kg	26.264	32.830
		JH14	Round Tube	6-8 weeks	14.00 kg	24.888	31.110
COM	Fabric	JH13	Flat Tube	6-8 weeks	14.00 kg	13.428	16.785
		JH14	Round Tube	6-8 weeks	14.00 kg	12.352	15.440

Base Variant

Flat Tube	Warm Black Powder Coated
Round Tube	Warm Black Powder Coated

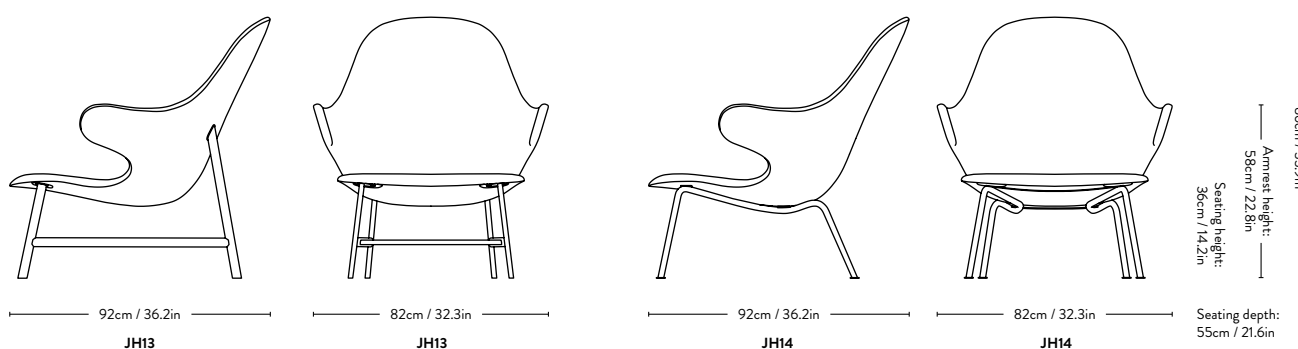
Material: Moulded PU foam and HR foam.

Fabric usage: 3 meters based on 140cm roll.

Leather usage: 6 square meters based on a yield of 60% pr hide.

COM must be approved by &Tradition to ensure suitability for upholstery.

Felt gliders installed as standard.



Catch^{JH16 & JH17} Jaime Hayon 2017



Fabric gr.	Upholstery	Product code	Base	Lead time	Weight	PRICE EX. VAT (SEK)	PRICE INC. VAT (SEK)
Fabric gr. 1	Grain, Hot Madison, Remix, Re-Wool	JH16,	Tube	6-8 weeks	11.20 kg	7.936	9.920
		JH17	Tube	6-8 weeks	11.50 kg	7.936	9.920
Fabric gr. 2	Asator, Barnum, Canvas, Fiord	JH16	Tube	6-8 weeks	11.20 kg	8.532	10.665
		JH17	Tube	6-8 weeks	11.50 kg	8.532	10.665
Fabric gr. 3	Clay, Hallingdal, Mylla, Steelcut Quartet, Steelcut Trio	JH16	Tube	6-8 weeks	11.20 kg	8.772	10.965
		JH17	Tube	6-8 weeks	11.50 kg	8.772	10.965
Fabric gr. 4	Acca, Beda, Cifrado, Ecriture, Moss, Vidar	JH16	Tube	6-8 weeks	11.20 kg	9.724	12.155
		JH17	Tube	6-8 weeks	11.50 kg	9.724	12.155
Fabric gr. 5	Gentle, Karakorum, Sisu	JH16	Tube	6-8 weeks	11.20 kg	11.276	14.095
		JH17	Tube	6-8 weeks	11.50 kg	11.276	14.095
Fabric gr. 6	Fuse	JH16	Tube	6-8 weeks	11.20 kg	12.828	16.035
		JH17	Tube	6-8 weeks	11.50 kg	12.828	16.035
Leather	Tailor Semi-aniline leather	JH16	Tube	6-8 weeks	11.20 kg	12.112	15.140
		JH17	Tube	6-8 weeks	11.50 kg	12.112	15.140
Leather	Noble Aniline leather	JH16	Tube	6-8 weeks	11.20 kg	14.264	17.830
		JH17	Tube	6-8 weeks	11.50 kg	14.264	17.830
Leather	Elmosoft Semi-aniline leather	JH16	Tube	6-8 weeks	11.20 kg	16.052	20.065
		JH17	Tube	6-8 weeks	11.50 kg	16.052	20.065
COM	Fabric	JH16	Tube	6-8 weeks	11.20 kg	7.936	9.920
		JH17	Tube	6-8 weeks	11.50 kg	7.936	9.920



Made using FSC® certified wood, supporting responsible environmental, social and economical management of the world's forests. Visit www.fsc.org

Base Variant

Tube Powder Coated Black

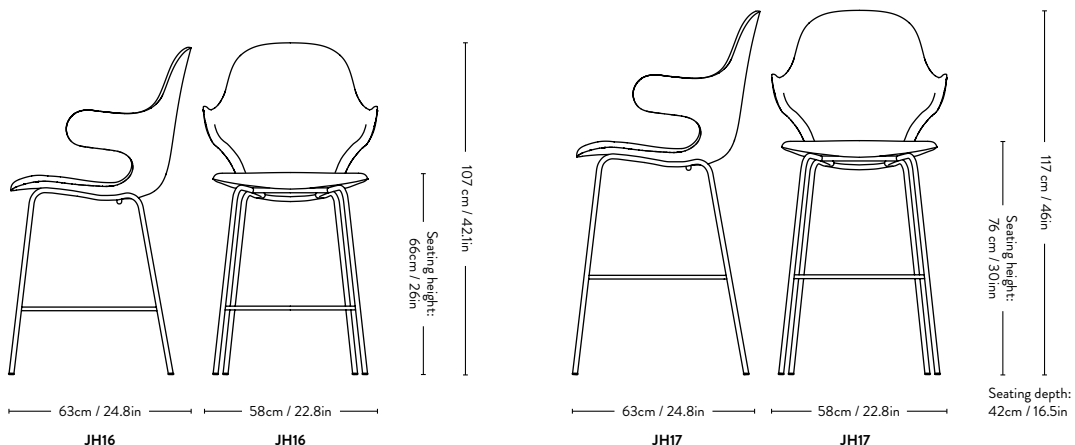
Material: Moulded PU foam and HR foam.

Fabric usage: 1.8 meters based on 140cm roll.

Leather usage: 5 square meters based on a yield of 60% pr hide.

COM must be approved by &Tradition to ensure suitability for upholstery.

Plastic gliders installed as standard.



Elefy ^{JH28} Jaime Hayon 2019



Shell Variant	Base	Lead time	Weight	PRICE EX. VAT (SEK)	PRICE INC. VAT (SEK)
Soft Beige	Black	2-3 weeks	7.80 kg	2.384	2.980
Copper Brown	Black	2-3 weeks	7.80 kg	2.384	2.980

Product no.	Product	Variant	Lead time	PRICE EX. VAT (SEK)	PRICE INC. VAT (SEK)
145303	Plastic gliders for Elefy w. tube base, 4 pcs	Black	Stock item	148	185
145304	Felt gliders for Elefy w. tube base, 4 pcs	Black	Stock item	148	185

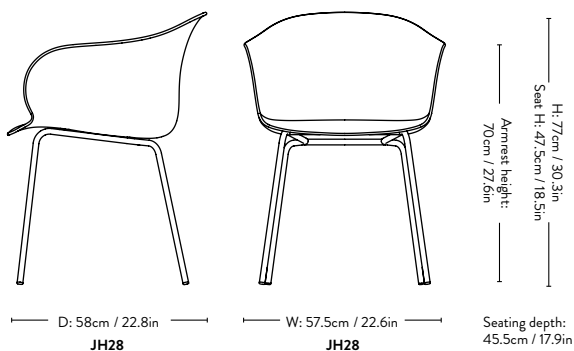
Base Variant

Steel Tube Black

Material: Polypropylene, steel tube.

Plastic gliders installed as standard.

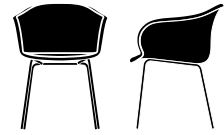
Felt gliders available upon request.



Elefy JH29

Jaime Hayon

2019



Fabric gr.	Upholstery	Base	Lead time	Weight	PRICE EX. VAT (SEK)	PRICE INC. VAT (SEK)
Fabric gr. 1	Grain, Hot Madison, Remix, Re-Wool	Black	6-8 weeks	7.80 kg	5.128	6.410
Fabric gr. 2	Asator, Barnum, Canvas, Fiord	Black	6-8 weeks	7.80 kg	5.844	7.305
Fabric gr. 3	Clay, Hallingdal, Mylla, Steelcut Quartet, Steelcut Trio	Black	6-8 weeks	7.80 kg	6.084	7.605
Fabric gr. 4	Acca, Cifrado, Ecriture, Moss, Vidar	Black	6-8 weeks	7.80 kg	6.800	8.500
Fabric gr. 5	Gentle, Karakorum, Sisu	Black	6-8 weeks	7.80 kg	9.068	11.335
Fabric gr. 6	Fuse	Black	6-8 weeks	7.80 kg	9.904	12.380
Leather	Tailor Semi-aniline leather	Black	6-8 weeks	7.80 kg	8.592	10.740
Leather	Noble Aniline leather	Black	6-8 weeks	7.80 kg	9.068	11.335
Leather	Elmosoft Semi-aniline leather	Black	6-8 weeks	7.80 kg	9.548	11.935
COM	Fabric	Black	6-8 weeks	7.80 kg	5.128	6.410

Product no.	Product	Variant	Lead time	PRICE EX. VAT (SEK)	PRICE INC. VAT (SEK)
145303	Plastic gliders for Elefy w. tube base, 4 pcs	Black	Stock item	148	185
145304	Felt gliders for Elefy w. tube base, 4 pcs	Black	Stock item	148	185

Base Variant

Steel Tube Black

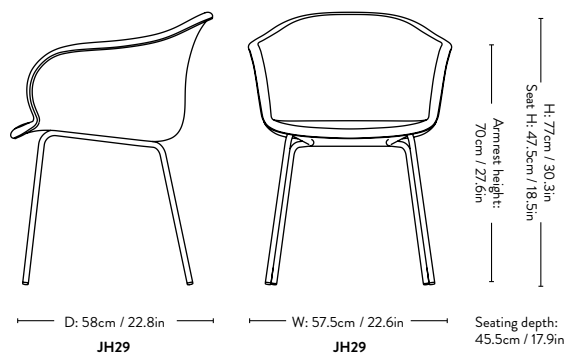
Material: Polypropylene, HR foam, steel tube, fabric or leather upholstery.

Fabric usage: 1.7 meters based on 140cm roll.

Leather usage: 3 square meters based on a yield of 60% pr hide.

COM must be approved by &Tradition to ensure suitability for upholstery.

Plastic gliders installed as standard.
Felt gliders available upon request.



Elefy JH30

Jaime Hayon

2019



Shell Variant	Base	Lead time	Weight	PRICE EX. VAT (SEK)	PRICE INC. VAT (SEK)
Soft Beige	Oak, Black	2-3 weeks	8.80 kg	3.336	4.170
Copper Brown	Oak, Black	2-3 weeks	8.80 kg	3.336	4.170

Product no.	Product	Variant	Lead time	PRICE EX. VAT (SEK)	PRICE INC. VAT (SEK)
145307	Plastic gliders for Drawn, Elefy w. wood base, Rely w. tube (ex. stacking) & wood base, Muno, and Meantime , 4 pcs	Black	Stock item	88	110
145308	Felt gliders for Drawn, Elefy w. wood base, Rely w. tube (ex. stacking) & wood base, Muno, and Meantime Lounge Chairs, 4 pcs	Black	Stock item	88	110

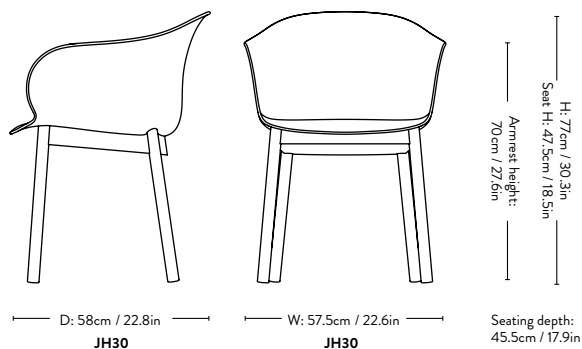


Oak base made using FSC® certified wood, supporting responsible environmental, social and economical management of the world's forests. Visit www.fsc.org

Base	Variant
Solid Oak	Clear or Black water based Lacquered Oak

Material: Polypropylene, solid wood.

Felt gliders installed as standard.



Elefy JH31

Jaime Hayon

2019



Fabric gr.	Upholstery	Base	Lead time	Weight	PRICE EX. VAT (SEK)	PRICE INC. VAT (SEK)
Fabric gr. 1	Grain, Hot Madison, Remix, Re-Wool	Oak, Black	6-8 weeks	8.80 kg	6.084	7.605
Fabric gr. 2	Asator, Barnum, Canvas, Fiord	Oak, Black	6-8 weeks	8.80 kg	6.800	8.500
Fabric gr. 3	Clay, Hallingdal, Mylla, Steelcut Quartet, Steelcut Trio	Oak, Black	6-8 weeks	8.80 kg	6.920	8.650
Fabric gr. 4	Acca, Cifrado, Ecriture, Moss, Vidar	Oak, Black	6-8 weeks	8.80 kg	7.756	9.695
Fabric gr. 5	Gentle, Karakorum, Sisu	Oak, Black	6-8 weeks	8.80 kg	10.024	12.530
Fabric gr. 6	Fuse	Oak, Black	6-8 weeks	8.80 kg	10.980	13.725
Leather	Tailor Semi-aniline leather	Oak, Black	6-8 weeks	8.80 kg	9.548	11.935
Leather	Noble Aniline leather	Oak, Black	6-8 weeks	8.80 kg	10.024	12.530
Leather	Elmosoft Semi-aniline leather	Oak, Black	6-8 weeks	8.80 kg	10.500	13.125
COM	Fabric	Oak, Black	6-8 weeks	8.80 kg	6.084	7.605

Product no.	Product	Variant	Lead time	PRICE EX. VAT (SEK)	PRICE INC. VAT (SEK)
145307	Plastic gliders for Drawn, Elefy w. wood base, Rely w. tube (ex. stacking) & wood base, Muno, and Meantime , 4 pcs	Black	Stock item	88	110
145308	Felt gliders for Drawn, Elefy w. wood base, Rely w. tube (ex. stacking) & wood base, Muno, and Meantime Lounge Chairs, 4 pcs	Black	Stock item	88	110



Oak base made using FSC® certified wood, supporting responsible environmental, social and economical management of the world's forests. Visit www.fsc.org

Base Variant

Solid Oak Clear or Black water based Lacquered Oak

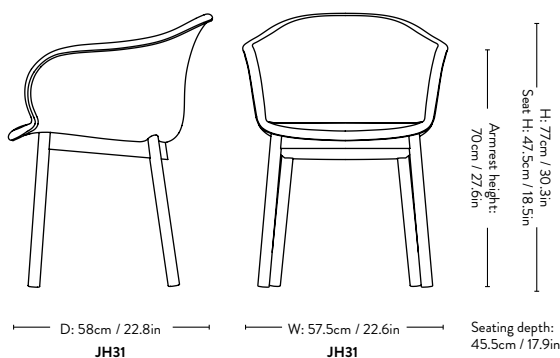
Material: Polypropylene, HR foam, solid wood, fabric or leather upholstery.

Fabric usage: 1.7 meters based on 140cm roll.

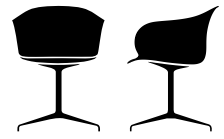
Leather usage: 3 square meters based on a yield of 60% pr hide.

COM must be approved by &Tradition to ensure suitability for upholstery.

Felt gliders installed as standard.



Elefy ^{JH32} Jaime Hayon 2020

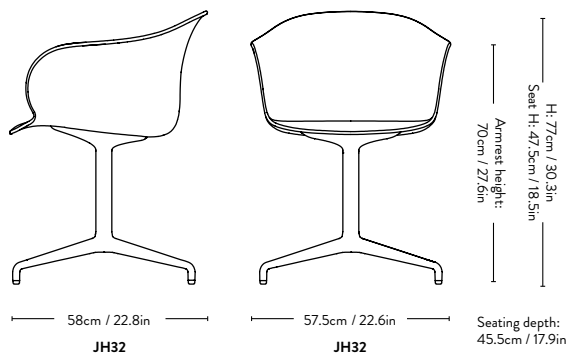


Shell Variant	Base	Lead time	Weight	PRICE EX. VAT (SEK)	PRICE INC. VAT (SEK)
Soft Beige	Black, Polished Aluminium	2-3 weeks	9.00 kg	3.696	4.620
Copper Brown	Black, Polished Aluminium	2-3 weeks	9.00 kg	3.696	4.620

Base	Variant
Swivel	Black, Polished Aluminium

Material: Polypropylene and aluminium.

Plastic gliders installed as standard.
Felt gliders are available upon request.



Elefy ^{JH33}

Jaime Hayon

2020



Fabric gr.	Upholstery	Base	Lead time	Weight	PRICE EX. VAT (SEK)	PRICE INC. VAT (SEK)
Fabric gr. 1	Grain, Hot Madison, Remix, Re-Wool	Black, Polished Aluminium	6-8 weeks	10.70 kg	6.324	7.905
Fabric gr. 2	Asator, Barnum, Canvas, Fiord	Black, Polished Aluminium	6-8 weeks	10.70 kg	7.040	8.800
Fabric gr. 3	Clay, Hallingdal, Mylla, Steelcut Quartet, Steelcut Trio	Black, Polished Aluminium	6-8 weeks	10.70 kg	7.160	8.950
Fabric gr. 4	Acca, Cifrado, Ecriture, Moss, Vidar	Black, Polished Aluminium	6-8 weeks	10.70 kg	7.996	9.995
Fabric gr. 5	Gentle, Karakorum, Sisu	Black, Polished Aluminium	6-8 weeks	10.70 kg	10.264	12.830
Fabric gr. 6	Fuse	Black, Polished Aluminium	6-8 weeks	10.70 kg	11.216	14.020
Leather	Tailor Semi-aniline leather	Black, Polished Aluminium	6-8 weeks	10.70 kg	9.784	12.230
Leather	Noble Aniline leather	Black, Polished Aluminium	6-8 weeks	10.70 kg	10.264	12.830
Leather	Elmosoft Semi-aniline leather	Black, Polished Aluminium	6-8 weeks	10.70 kg	10.740	13.425
COM	Fabric	Black, Polished Aluminium	6-8 weeks	10.70 kg	6.324	7.905

Base Variant

Swivel Black, Polished Aluminium

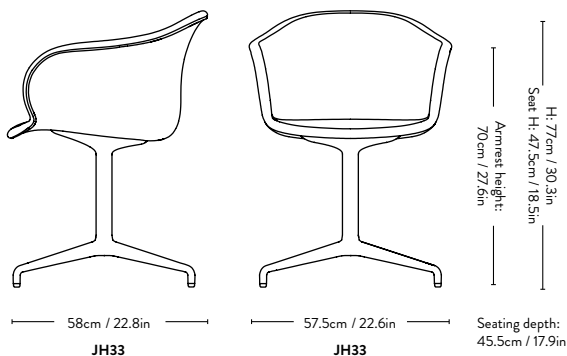
Material: Polypropylene, HR foam, aluminium swivel base, fabric or leather upholstery.

Fabric usage: 1.7 meters based on 140cm roll.

Leather usage: 3 square meters based on a yield of 60% pr hide.

COM must be approved by &Tradition to ensure suitability for upholstery.

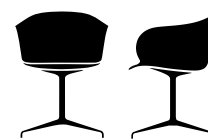
Plastic gliders installed as standard.
Felt gliders available upon request.



Elefy JH34

Jaime Hayon

2020

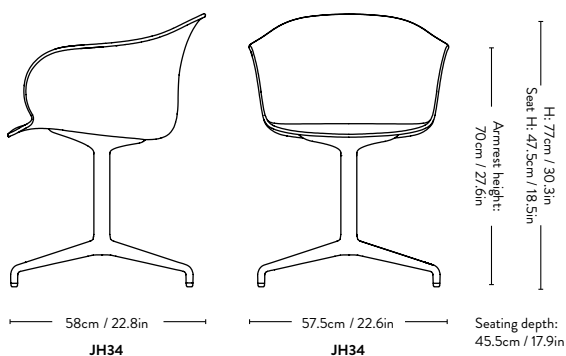


Shell Variant	Base	Lead time	Weight	PRICE EX. VAT (SEK)	PRICE INC. VAT (SEK)
Soft Beige	Black, Polished Aluminium	2-3 weeks	9.00 kg	4.172	5.215
Copper Brown	Black, Polished Aluminium	2-3 weeks	9.00 kg	4.172	5.215

Base	Variant
Swivel	Black, Polished Aluminium

Material: Polypropylene and aluminium swivel base with return function.

Plastic gliders installed as standard.
Felt gliders are available upon request.



Elefy JH35

Jaime Hayon

2020



Fabric gr.	Upholstery	Base	Lead time	Weight	PRICE EX. VAT (SEK)	PRICE INC. VAT (SEK)
Fabric gr. 1	Grain, Hot Madison, Remix, Re-Wool	Black, Polished Aluminium	6-8 weeks	10.70 kg	6.800	8.500
Fabric gr. 2	Asator, Barnum, Canvas, Fiord	Black, Polished Aluminium	6-8 weeks	10.70 kg	7.516	9.395
Fabric gr. 3	Clay, Hallingdal, Mylla, Steelcut Quartet, Steelcut Trio	Black, Polished Aluminium	6-8 weeks	10.70 kg	7.636	9.545
Fabric gr. 4	Acca, Cifrado, Ecriture, Moss, Vidar	Black, Polished Aluminium	6-8 weeks	10.70 kg	8.472	10.590
Fabric gr. 5	Gentle, Karakorum, Sisu	Black, Polished Aluminium	6-8 weeks	10.70 kg	10.740	13.425
Fabric gr. 6	Fuse	Black, Polished Aluminium	6-8 weeks	10.70 kg	11.696	14.620
Leather	Tailor Semi-aniline leather	Black, Polished Aluminium	6-8 weeks	10.70 kg	10.264	12.830
Leather	Noble Aniline leather	Black, Polished Aluminium	6-8 weeks	10.70 kg	10.740	13.425
Leather	Elmosoft Semi-aniline leather	Black, Polished Aluminium	6-8 weeks	10.70 kg	11.216	14.020
COM	Fabric	Black, Polished Aluminium	6-8 weeks	10.70 kg	6.800	8.500

Base Variant

Swivel Black, Polished Aluminium

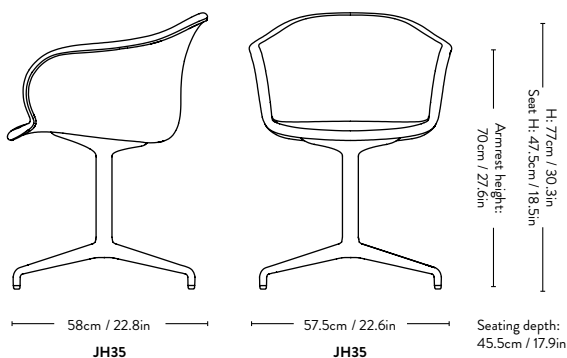
Material: Polypropylene, HR foam, aluminium swivel base, fabric or leather upholstery.

Fabric usage: 1.7 meters based on 140cm roll.

Leather usage: 3 square meters based on a yield of 60% pr hide.

COM must be approved by &Tradition to ensure suitability for upholstery.

Plastic gliders installed as standard.
Felt gliders available upon request.



Elefy^{JH36} Jaime Hayon 2020



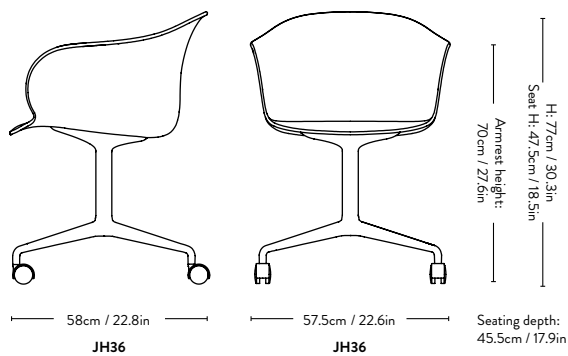
Shell Variant	Base	Lead time	Weight	PRICE EX. VAT (SEK)	PRICE INC. VAT (SEK)
Soft Beige	Black, Polished Aluminium	2-3 weeks	9.50 kg	4.172	5.215
Copper Brown	Black, Polished Aluminium	2-3 weeks	9.50 kg	4.172	5.215

Base	Variant
Swivel	Black, Polished Aluminium

Material: Polypropylene and aluminium base with castors.

Castors in matching colour are installed as standard.

Suitable for all floor types.



Elefy ^{JH37}

Jaime Hayon 2020



Fabric gr.	Upholstery	Base	Lead time	Weight	PRICE EX. VAT (SEK)	PRICE INC. VAT (SEK)
Fabric gr. 1	Grain, Hot Madison, Remix, Re-Wool	Black, Polished Aluminium	6-8 weeks	11.50 kg	6.800	8.500
Fabric gr. 2	Asator, Barnum, Canvas, Fiord	Black, Polished Aluminium	6-8 weeks	11.50 kg	7.516	9.395
Fabric gr. 3	Clay, Hallingdal, Mylla, Steelcut Quartet, Steelcut Trio	Black, Polished Aluminium	6-8 weeks	11.50 kg	7.636	9.545
Fabric gr. 4	Acca, Cifrado, Ecriture, Moss, Vidar	Black, Polished Aluminium	6-8 weeks	11.50 kg	8.472	10.590
Fabric gr. 5	Gentle, Karakorum, Sisu	Black, Polished Aluminium	6-8 weeks	11.50 kg	10.740	13.425
Fabric gr. 6	Fuse	Black, Polished Aluminium	6-8 weeks	11.50 kg	11.696	14.620
Leather	Tailor Semi-aniline leather	Black, Polished Aluminium	6-8 weeks	11.50 kg	10.264	12.830
Leather	Noble Aniline leather	Black, Polished Aluminium	6-8 weeks	11.50 kg	10.740	13.425
Leather	Elmosoft Semi-aniline leather	Black, Polished Aluminium	6-8 weeks	11.50 kg	11.216	14.020
COM	Fabric	Black, Polished Aluminium	6-8 weeks	11.50 kg	6.800	8.500

Base Variant

Swivel Black, Polished Aluminium

Material: Polypropylene, HR foam, aluminium base with castors, fabric or leather upholstery.

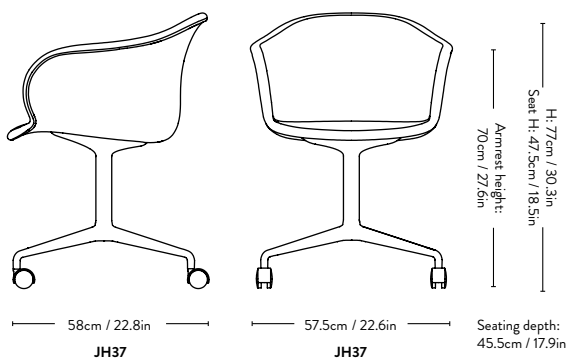
Fabric usage: 1.7 meters based on 140cm roll.

Leather usage: 3 square meters based on a yield of 60% pr hide.

COM must be approved by &Tradition to ensure suitability for upholstery.

Castors in matching colour are installed as standard.

Suitable for all floor types



In Between ^{SK1} Sami Kallio 2013



Product no.	Variant	Colli qty.	Lead time	Weight	PRICE EX. VAT (SEK)	PRICE INC. VAT (SEK)
134332	Smoked Oiled Oak	2 pcs	Stock item	7.00 kg	3.936	4.920
134333	Oiled Oak	2 pcs	Stock item	7.00 kg	3.936	4.920
134334	Black Lacquered Oak	2 pcs	Stock item	7.00 kg	3.936	4.920
134335	Oiled Walnut	2 pcs	Stock item	7.00 kg	5.368	6.710

Product no.	Product	Variant	Lead time	PRICE EX. VAT (SEK)	PRICE INC. VAT (SEK)
145306	Plastic gliders for In Between Chairs, Betty Chairs, and RFH Dining & Lounge Chair, 4 pcs	Black	Stock item	88	110
145309	Felt gliders for In Between Chairs, Betty Chairs, and RFH Dining & Lounge Chair, 4 pcs	Black	Stock item	88	110



EU Ecolabel certified, validating high standards of durability, circular design, and responsible use of chemicals. Please contact our sales team for a list of EU Ecolabel compliant combinations.



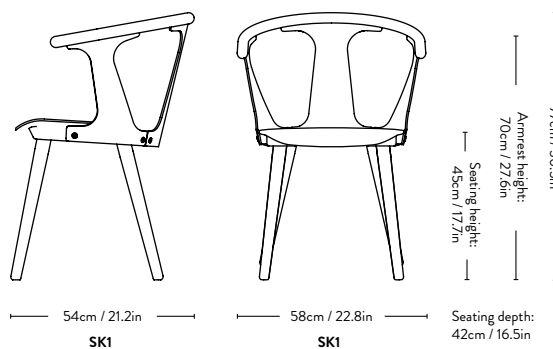
Smoked Oiled Oak, Oiled Oak and Black Laquered Oak made using FSC® certified wood, supporting responsible environmental, social and economical management of the world's forests. Visit www.fsc.org

Frame Variant

Oak	Oiled Oak, Smoked Oiled Oak, Black Lacquered Oak
Walnut	Oiled Walnut

Material: Solid wood and formpressed veneer.

Felt gliders installed as standard.



In Between^{SK2} Sami Kallio 2013



Product no.	Variant	Colli qty.	Lead time	Weight	PRICE EX. VAT (SEK)	PRICE INC. VAT (SEK)
134337A235A012A252	Oiled Oak w. Fiord 251	2 pcs	Stock item	7.00 kg	4.772	5.965
134338A235A012A250	Black Lacquered Oak w. Fiord 191	2 pcs	Stock item	7.00 kg	4.772	5.965
134336A235A012A249	Smoked Oiled Oak w. Fiord 171	2 pcs	Stock item	7.00 kg	4.772	5.965
134337A235A030A502	Oiled Oak w. Noble Aniline Cognac Leather	2 pcs	Stock item	7.00 kg	5.844	7.305
134338A235A030A501	Black Lacquered Oak w. Noble Aniline Black Leather	2 pcs	Stock item	7.00 kg	5.844	7.305
134336A235A030A501	Smoked Oiled Oak w. Noble Aniline Black Leather	2 pcs	Stock item	7.00 kg	5.844	7.305

Fabric gr.	Upholstery	Base	Lead time	Weight	PRICE EX. VAT (SEK)	PRICE INC. VAT (SEK)
Fabric gr. 1	Grain, Hot Madison, Remix, Re-Wool	Oak	6-8 weeks	7.00 kg	4.772	5.965
		Walnut	6-8 weeks	7.00 kg	6.324	7.905
Fabric gr. 2	Asator, Barnum, Canvas, Fiord	Oak	6-8 weeks	7.00 kg	5.368	6.710
		Walnut	6-8 weeks	7.00 kg	6.920	8.650
Fabric gr. 3	Clay, Hallingdal, Mylla, Steelcut Quartet, Steelcut Trio	Oak	6-8 weeks	7.00 kg	5.488	6.860
		Walnut	6-8 weeks	7.00 kg	7.040	8.800
Fabric gr. 4	Acca, Beda, Cifrado, Ecriture, Moss, Vidar	Oak	6-8 weeks	7.00 kg	5.724	7.155
		Walnut	6-8 weeks	7.00 kg	7.276	9.095
Fabric gr. 5	Gentle, Karakorum, Sisu, Zade*	Oak	6-8 weeks	7.00 kg	5.964	7.455
		Walnut	6-8 weeks	7.00 kg	7.516	9.395
Fabric gr. 6	Fuse, Tiger Mountain**	Oak	6-8 weeks	7.00 kg	6.560	8.200
		Walnut	6-8 weeks	7.00 kg	8.232	10.290
Leather	Tailor Semi-aniline leather	Oak	6-8 weeks	7.00 kg	5.724	7.155
		Walnut	6-8 weeks	7.00 kg	7.276	9.095
Leather	Noble Aniline leather	Oak	6-8 weeks	7.00 kg	5.964	7.455
		Walnut	6-8 weeks	7.00 kg	7.516	9.395
Leather	Elmosoft Semi-aniline leather	Oak	6-8 weeks	7.00 kg	6.324	7.905
		Walnut	6-8 weeks	7.00 kg	7.876	9.845
COM	Fabric	Oak	6-8 weeks	7.00 kg	4.772	5.965
		Walnut	6-8 weeks	7.00 kg	6.324	7.905

* Please be aware that patterns may not align at seams or edges

** Please be aware that the placement of the pattern may vary from piece to piece due to optimal usage of fabric when cutting. Patterns may not align at seams or edges

In Between ^{SK2} Sami Kallio 2013



Product no.	Product	Variant	Lead time	PRICE EX. VAT (SEK)	PRICE INC. VAT (SEK)
145306	Plastic gliders for In Between Chairs, Betty Chairs, and RFH Dining & Lounge Chair, 4 pcs	Black	Stock item	88	110
145309	Felt gliders for In Between Chairs, Betty Chairs, and RFH Dining & Lounge Chair, 4 pcs	Black	Stock item	88	110



EU Ecolabel certified, validating high standards of durability, circular design, and responsible use of chemicals. Please contact our sales team for a list of EU Ecolabel compliant combinations.

EU Ecolabel | DK/049/002



Smoked Oiled Oak, Oiled Oak and Black Laquered Oak made using FSC® certified wood, supporting responsible environmental, social and economical management of the world's forests. Visit www.fsc.org

Frame	Variant
Oak	Oiled Oak, Smoked Oiled Oak, Black Lacquered Oak
Walnut	Oiled Walnut

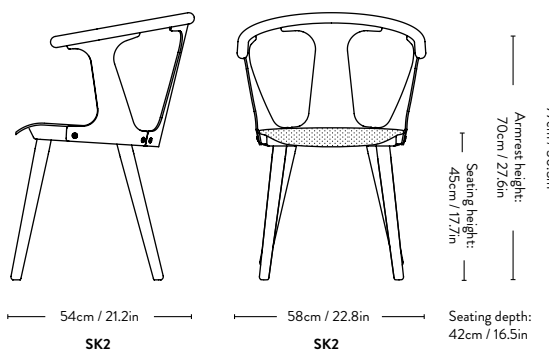
Material: Solid wood, formpressed veneer and HR foam.

Fabric usage: 0.36 meter based on a 140 cm roll.

Leather usage: 0.36 square meters based on a yield of 60% pr hide.

COM must be approved by &Tradition to ensure suitability for upholstery.

Felt gliders installed as standard.



In Between SK7 & SK8

Sami Kallio

2017



Product no.	Variant	Product code	Colli qty.	Lead time	Weight	PRICE EX. VAT (SEK)	PRICE INC. VAT (SEK)
134340	Smoked Oiled Oak	SK7	1 pc	Stock item	6.50 kg	4.772	5.965
134341	Oiled Oak	SK7	1 pc	Stock item	6.50 kg	4.772	5.965
134342	Black Lacquered Oak	SK7	1 pc	Stock item	6.50 kg	4.772	5.965

Fabric gr.	Upholstery	Product code	Lead time	Weight	PRICE EX. VAT (SEK)	PRICE INC. VAT (SEK)
Fabric gr. 1	Grain, Hot Madison, Remix, Re-Wool	SK8	6-8 weeks	7.00 kg	5.724	7.155
Fabric gr. 2	Asator, Barnum, Canvas, Fiord	SK8	6-8 weeks	7.00 kg	6.204	7.755
Fabric gr. 3	Clay, Hallingdal, Mylla, Steelcut Quartet, Steelcut Trio	SK8	6-8 weeks	7.00 kg	6.264	7.830
Fabric gr. 4	Acca, Beda, Cifrado, Ecriture, Moss, Vidar	SK8	6-8 weeks	7.00 kg	6.324	7.905
Fabric gr. 5	Gentle, Karakorum, Sisu, Zade*	SK8	6-8 weeks	7.00 kg	6.800	8.500
Fabric gr. 6	Fuse, Tiger Mountain**	SK8	6-8 weeks	7.00 kg	7.516	9.395
Leather	Tailor Semi-aniline leather	SK8	6-8 weeks	7.00 kg	6.560	8.200
Leather	Noble Aniline leather	SK8	6-8 weeks	7.00 kg	6.800	8.500
Leather	Elmosoft Semi-aniline leather	SK8	6-8 weeks	7.00 kg	7.160	8.950
COM	Fabric	SK8	6-8 weeks	7.00 kg	5.724	7.155

Product no.	Product	Variant	Lead time	PRICE EX. VAT (SEK)	PRICE INC. VAT (SEK)
145306	Plastic gliders for In Between Chairs, Betty Chairs, and RFH Dining & Lounge Chair, 4 pcs	Black	Stock item	88	110
145309	Felt gliders for In Between Chairs, Betty Chairs, and RFH Dining & Lounge Chair, 4 pcs	Black	Stock item	88	110

* Please be aware that patterns may not align at seams or edges

** Please be aware that the placement of the pattern may vary from piece to piece due to optimal usage of fabric when cutting. Patterns may not align at seams or edges



EU Ecolabel certified, validating high standards of durability, circular design, and responsible use of chemicals. Please contact our sales team for a list of EU Ecolabel compliant combinations.



Made using FSC® certified wood, supporting responsible environmental, social and economical management of the world's forests. Visit www.fsc.org

Frame Variant

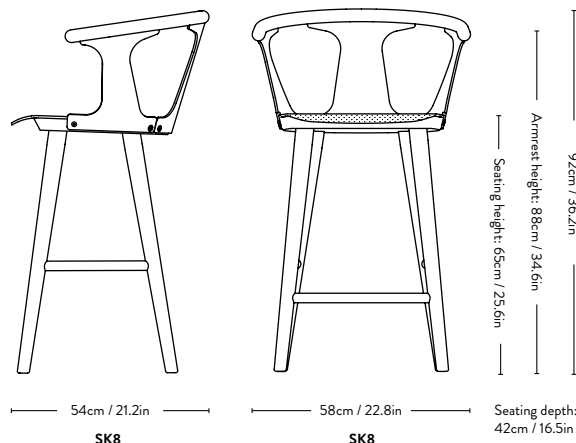
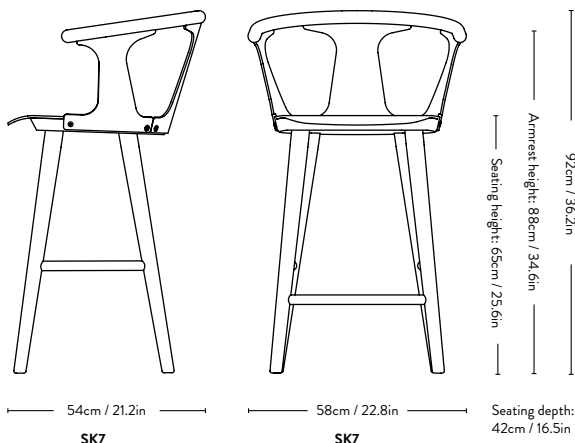
Wood Oiled Oak, Smoked Oiled Oak, Black Lacquered Oak

Material: Solid wood, formpressed veneer and HR foam.

Fabric usage: 0.36 meter based on a 140 cm roll.

Leather usage: 0.36 square meters based on a yield of 60% pr hide.

COM must be approved by &Tradition to ensure suitability for upholstery. Felt gliders installed as standard.



In Between ^{SK9 & SK10} Sami Kallio 2017



Product no.	Variant	Product code	Colli qty.	Lead time	Weight	PRICE EX. VAT (SEK)	PRICE INC. VAT (SEK)
134346	Smoked Oiled Oak	SK9	1 pc	Stock item	6.50 kg	4.772	5.965
134347	Oiled Oak	SK9	1 pc	Stock item	6.50 kg	4.772	5.965
134348	Black Lacquered Oak	SK9	1 pc	Stock item	6.50 kg	4.772	5.965

Fabric gr.	Upholstery	Product code	Lead time	Weight	PRICE EX. VAT (SEK)	PRICE INC. VAT (SEK)
Fabric gr. 1	Grain, Hot Madison, Remix, Re-Wool	SK10	6-8 weeks	7.00 kg	5.724	7.155
Fabric gr. 2	Asator, Barnum, Canvas, Fiord	SK10	6-8 weeks	7.00 kg	6.204	7.755
Fabric gr. 3	Clay, Hallingdal, Mylla, Steelcut Quartet, Steelcut Trio	SK10	6-8 weeks	7.00 kg	6.264	7.830
Fabric gr. 4	Acca, Beda, Cifrado, Ecriture, Moss, Vidar	SK10	6-8 weeks	7.00 kg	6.324	7.905
Fabric gr. 5	Gentle, Karakorum, Sisu, Zade*	SK10	6-8 weeks	7.00 kg	6.800	8.500
Fabric gr. 6	Fuse, Tiger Mountain**	SK10	6-8 weeks	7.00 kg	7.516	9.395
Leather	Tailor Semi-aniline leather	SK10	6-8 weeks	7.00 kg	6.560	8.200
Leather	Noble Aniline leather	SK10	6-8 weeks	7.00 kg	6.800	8.500
Leather	Elmosoft Semi-aniline leather	SK10	6-8 weeks	7.00 kg	7.160	8.950
COM	Fabric	SK10	6-8 weeks	7.00 kg	5.724	7.155

Product no.	Product	Variant	Lead time	PRICE EX. VAT (SEK)	PRICE INC. VAT (SEK)
145306	Plastic gliders for In Between Chairs, Betty Chairs, and RFH Dining & Lounge Chair, 4 pcs	Black	Stock item	88	110
145309	Felt gliders for In Between Chairs, Betty Chairs, and RFH Dining & Lounge Chair, 4 pcs	Black	Stock item	88	110

* Please be aware that patterns may not align at seams or edges

** Please be aware that the placement of the pattern may vary from piece to piece due to optimal usage of fabric when cutting. Patterns may not align at seams or edges



EU Ecolabel certified, validating high standards of durability, circular design, and responsible use of chemicals.

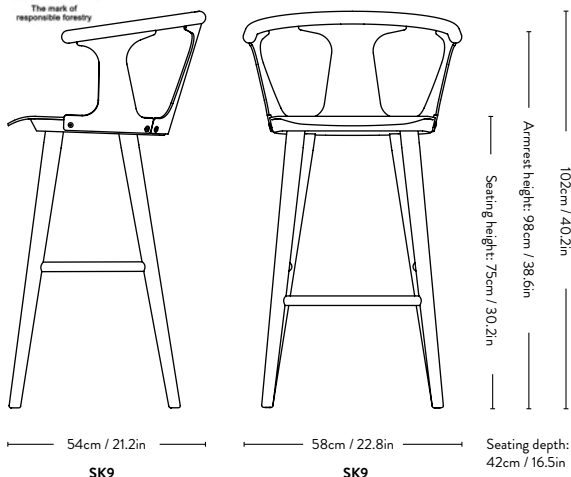
Please contact our sales team for a list of EU Ecolabel compliant combinations.

EU Ecolabel / SK, SK9/SK10



Made using FSC® certified wood, supporting responsible environmental, social and economical management of the world's forests. Visit www.fsc.org

The mark of responsible forestry



Frame Variant

Wood Oiled Oak, Smoked Oiled Oak, Black Lacquered Oak

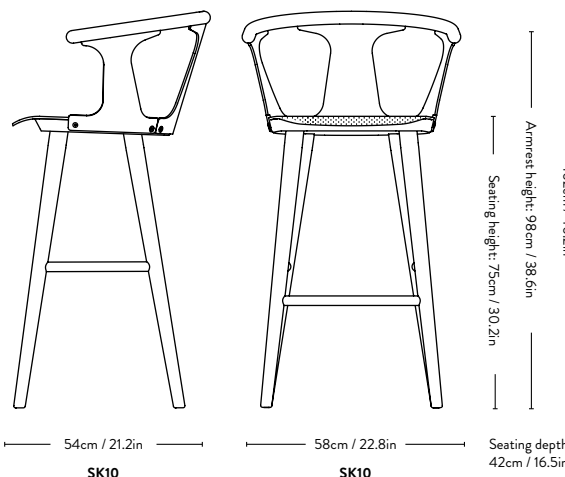
Material: Solid wood, formpressed veneer and HR foam.

Fabric usage: 0.36 meter based on a 140 cm roll.

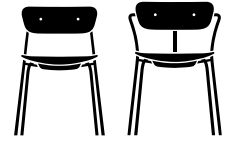
Leather usage: 0.36 square meters based on a yield of 60% pr hide.

COM must be approved by &Tradition to ensure suitability for upholstery.

Felt gliders installed as standard.



Pavilion AV1 & AV2 Anderssen & Voll 2018



Product no.	Variant	Product code	Base	Colli qty.	Lead time	Weight	PRICE EX. VAT (SEK)	PRICE INC. VAT (SEK)
133834A251	Black Oak	AV1	Black	2 pcs	Stock item	4.80 kg	2.740	3.425
133834A249	Oak	AV1	Black	2 pcs	Stock item	4.80 kg	2.740	3.425
133834A247	Walnut	AV1	Black	2 pcs	Stock item	4.80 kg	2.860	3.575
133833A251	Black Oak	AV1	Chrome	2 pcs	6-8 weeks	4.80 kg	2.980	3.725
133833A249	Oak	AV1	Chrome	2 pcs	6-8 weeks	4.80 kg	2.980	3.725
133833A247	Walnut	AV1	Chrome	2 pcs	6-8 weeks	4.80 kg	3.100	3.875
133842A251	Black Oak	AV2	Black	2 pcs	Stock item	5.40 kg	3.336	4.170
133842A249	Oak	AV2	Black	2 pcs	Stock item	5.40 kg	3.336	4.170
133842A247	Walnut	AV2	Black	2 pcs	Stock item	5.40 kg	3.456	4.320
133841A251	Black Oak	AV2	Chrome	2 pcs	6-8 weeks	5.40 kg	3.696	4.620
133841A249	Oak	AV2	Chrome	2 pcs	6-8 weeks	5.40 kg	3.696	4.620
133841A247	Walnut	AV2	Chrome	2 pcs	6-8 weeks	5.40 kg	3.816	4.770

Product no.	Product	Variant	Lead time	Weight	PRICE EX. VAT (SEK)	PRICE INC. VAT (SEK)
134566	Pavilion Stacking Trolley		Stock item	20.00 kg	9.548	11.935
	Linking device (must be specified with the order)		6-8 weeks		712	890
145303	Plastic gliders for Pavilion w. tube base, 4 pcs	Black	Stock item		148	185
145304	Felt gliders for Pavilion w. tube base, 4 pcs	Black	Stock item		148	185



EU Ecolabel certified, validating high standards of durability, circular design, and responsible use of chemicals. Please contact our sales team for a list of EU Ecolabel compliant combinations.



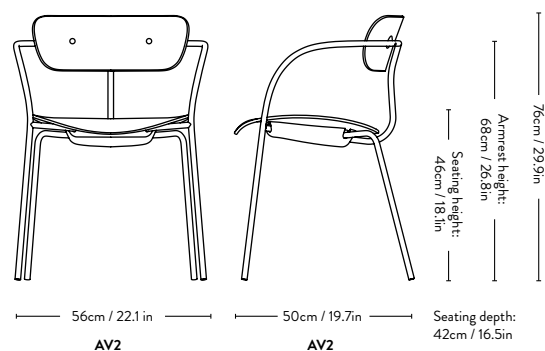
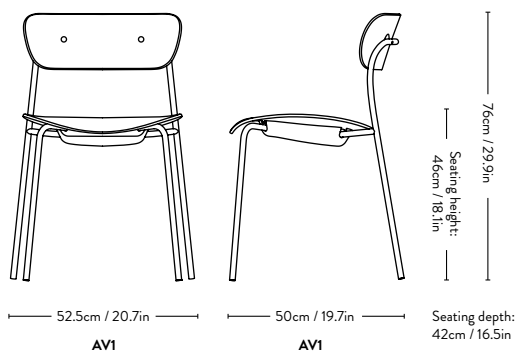
Made using FSC® certified wood, supporting responsible environmental, social and economical management of the world's forests. Visit www.fsc.org

Frame	Seat & back	Back rest fittings
Black	Water based Lacquered Oak, Black Water Based Lacquered Oak, Water based Lacquered Walnut	Black (standard), Brass or Chrome (on request)
Chrome	Water based Lacquered Oak, Black Water Based Lacquered Oak, Water based Lacquered Walnut	Chrome (standard), Brass or Black (on request)

Material: Steel tubes and formpressed veneer.

Plastic gliders installed as standard.
Felt gliders available upon request (6-8 weeks lead time).

Stackable chair:
With trolley: 12 pcs - Without trolley: 10 pcs -With linking device: 8 pcs



Pavilion AV3



Anderssen & Voll

2018



Fabric gr.	Seat Upholstery	Base	Variant	Lead time	Weight	PRICE EX. VAT (SEK)	PRICE INC. VAT (SEK)
Fabric gr. 1	Grain, Hot Madison, Remix, Re-Wool	Black	Black or Oak	6-8 weeks	5.00 kg	3.576	4.470
		Black	Walnut	6-8 weeks	5.00 kg	3.696	4.620
		Chrome	Black or Oak	6-8 weeks	5.00 kg	3.816	4.770
		Chrome	Walnut	6-8 weeks	5.00 kg	3.936	4.920
Fabric gr. 2	Asator, Barnum, Canvas, Fiord	Black	Black or Oak	6-8 weeks	5.00 kg	4.172	5.215
		Black	Walnut	6-8 weeks	5.00 kg	4.292	5.365
		Chrome	Black or Oak	6-8 weeks	5.00 kg	4.412	5.515
		Chrome	Walnut	6-8 weeks	5.00 kg	4.532	5.665
Fabric gr. 3	Clay, Hallingdal, Mylla, Steelcut Quartet, Steelcut Trio	Black	Black or Oak	6-8 weeks	5.00 kg	4.232	5.290
		Black	Walnut	6-8 weeks	5.00 kg	4.352	5.440
		Chrome	Black or Oak	6-8 weeks	5.00 kg	4.472	5.590
		Chrome	Walnut	6-8 weeks	5.00 kg	4.592	5.740
Fabric gr. 4	Acca, Beda, Cifrado, Ecriture, Moss, Vidar	Black	Black or Oak	6-8 weeks	5.00 kg	4.292	5.365
		Black	Walnut	6-8 weeks	5.00 kg	4.412	5.515
		Chrome	Black or Oak	6-8 weeks	5.00 kg	4.532	5.665
		Chrome	Walnut	6-8 weeks	5.00 kg	4.652	5.815
Fabric gr. 5	Gentle, Karakorum, Sisu, Zade*	Black	Black or Oak	6-8 weeks	5.00 kg	4.772	5.965
		Black	Walnut	6-8 weeks	5.00 kg	4.888	6.110
		Chrome	Black or Oak	6-8 weeks	5.00 kg	5.008	6.260
		Chrome	Walnut	6-8 weeks	5.00 kg	5.128	6.410
Fabric gr. 6	Fuse, Tiger Mountain**	Black	Black or Oak	6-8 weeks	5.00 kg	5.248	6.560
		Black	Walnut	6-8 weeks	5.00 kg	5.368	6.710
		Chrome	Black or Oak	6-8 weeks	5.00 kg	5.488	6.860
		Chrome	Walnut	6-8 weeks	5.00 kg	5.604	7.005
Leather	Tailor Semi-aniline leather	Black	Black or Oak	6-8 weeks	5.00 kg	4.532	5.665
		Black	Walnut	6-8 weeks	5.00 kg	4.652	5.815
		Chrome	Black or Oak	6-8 weeks	5.00 kg	4.772	5.965
		Chrome	Walnut	6-8 weeks	5.00 kg	4.888	6.110
Leather	Noble Aniline leather	Black	Black or Oak	6-8 weeks	5.00 kg	4.772	5.965
		Black	Walnut	6-8 weeks	5.00 kg	4.888	6.110
		Chrome	Black or Oak	6-8 weeks	5.00 kg	5.008	6.260
		Chrome	Walnut	6-8 weeks	5.00 kg	5.128	6.410
Leather	Elmosoft Semi-aniline leather	Black	Black or Oak	6-8 weeks	5.00 kg	5.128	6.410
		Black	Walnut	6-8 weeks	5.00 kg	5.248	6.560
		Chrome	Black or Oak	6-8 weeks	5.00 kg	5.368	6.710
		Chrome	Walnut	6-8 weeks	5.00 kg	5.488	6.860
COM	Fabric	Black	Black or Oak	6-8 weeks	5.00 kg	3.576	4.470
		Black	Walnut	6-8 weeks	5.00 kg	3.696	4.620
		Chrome	Black or Oak	6-8 weeks	5.00 kg	3.816	4.770
		Chrome	Walnut	6-8 weeks	5.00 kg	3.936	4.920

* Please be aware that patterns may not align at seams or edges

** Please be aware that the placement of the pattern may vary from piece to piece due to optimal usage of fabric when cutting. Patterns may not align at seams or edges

Pavilion AV3

Anderssen & Voll

2018



Product no.	Product	Variant	Lead time	Weight	PRICE EX. VAT (SEK)	PRICE INC. VAT (SEK)
134566	Pavilion Stacking Trolley		Stock item	20.00 kg	9.548	11.935
	Linking device (must be specified with the order)		6-8 weeks		712	890
145303	Plastic gliders for Pavilion w. tube base, 4 pcs	Black	Stock item		148	185
145304	Felt gliders for Pavilion w. tube base, 4 pcs	Black	Stock item		148	185



EU Ecolabel certified, validating high standards of durability, circular design, and responsible use of chemicals. Please contact our sales team for a list of EU Ecolabel compliant combinations.



Made using FSC® certified wood, supporting responsible environmental, social and economical management of the world's forests. Visit www.fsc.org

Stackable chair:
With trolley: 12 pcs - Without trolley: 10 pcs -With linking device: 8 pcs

Frame	Back	Back rest fittings
Black	Water based Lacquered Oak, Black Water Based Lacquered Oak, Water based Lacquered Walnut	Black (standard), Brass or Chrome (on request)
Chrome	Water based Lacquered Oak, Black Water Based Lacquered Oak, Water based Lacquered Walnut	Chrome (standard), Brass or Black (on request)

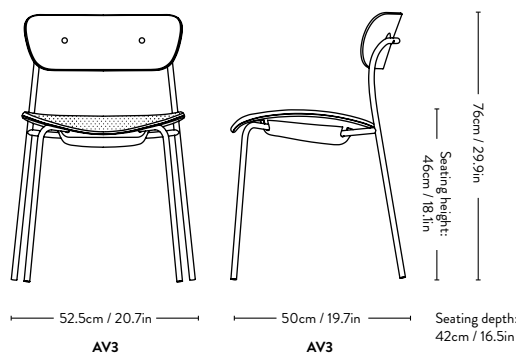
Material: Steel tubes, formpressed veneer, HR foam, fabric or leather upholstery.

Fabric usage: 0.45 meters based on 140cm roll.


Leather usage: 0.55 square meters based on a yield of 60% pr hide.

COM must be approved by &Tradition to ensure suitability for upholstery.

Plastic gliders installed as standard.
Felt gliders available upon request.



Pavilion AV4



Anderssen & Voll

2018

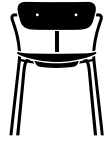


Fabric gr.	Seat Upholstery	Base	Variant	Lead time	Weight	PRICE EX. VAT (SEK)	PRICE INC. VAT (SEK)
Fabric gr. 1	Grain, Hot Madison, Remix, Re-Wool	Black	Black or Oak	6-8 weeks	5.60 kg	4.172	5.215
		Black	Walnut	6-8 weeks	5.60 kg	4.292	5.365
		Chrome	Black or Oak	6-8 weeks	5.60 kg	4.532	5.665
		Chrome	Walnut	6-8 weeks	5.60 kg	4.652	5.815
Fabric gr. 2	Asator, Barnum, Canvas, Fiord	Black	Black or Oak	6-8 weeks	5.60 kg	4.772	5.965
		Black	Walnut	6-8 weeks	5.60 kg	4.888	6.110
		Chrome	Black or Oak	6-8 weeks	5.60 kg	5.128	6.410
		Chrome	Walnut	6-8 weeks	5.60 kg	5.248	6.560
Fabric gr. 3	Clay, Hallingdal, Mylla, Steelcut Quartet, Steelcut Trio	Black	Black or Oak	6-8 weeks	5.60 kg	4.828	6.035
		Black	Walnut	6-8 weeks	5.60 kg	4.948	6.185
		Chrome	Black or Oak	6-8 weeks	5.60 kg	5.188	6.485
		Chrome	Walnut	6-8 weeks	5.60 kg	5.308	6.635
Fabric gr. 4	Acca, Beda, Cifrado, Ecriture, Moss, Vidar	Black	Black or Oak	6-8 weeks	5.60 kg	4.888	6.110
		Black	Walnut	6-8 weeks	5.60 kg	5.008	6.260
		Chrome	Black or Oak	6-8 weeks	5.60 kg	5.248	6.560
		Chrome	Walnut	6-8 weeks	5.60 kg	5.368	6.710
Fabric gr. 5	Gentle, Karakorum, Sisu, Zade*	Black	Black or Oak	6-8 weeks	5.60 kg	5.368	6.710
		Black	Walnut	6-8 weeks	5.60 kg	5.488	6.860
		Chrome	Black or Oak	6-8 weeks	5.60 kg	5.724	7.155
		Chrome	Walnut	6-8 weeks	5.60 kg	5.844	7.305
Fabric gr. 6	Fuse, Tiger Mountain**	Black	Black or Oak	6-8 weeks	5.60 kg	5.844	7.305
		Black	Walnut	6-8 weeks	5.60 kg	5.964	7.455
		Chrome	Black or Oak	6-8 weeks	5.60 kg	6.324	7.905
		Chrome	Walnut	6-8 weeks	5.60 kg	6.440	8.050
Leather	Tailor Semi-aniline leather	Black	Black or Oak	6-8 weeks	5.60 kg	5.128	6.410
		Black	Walnut	6-8 weeks	5.60 kg	5.248	6.560
		Chrome	Black or Oak	6-8 weeks	5.60 kg	5.488	6.860
		Chrome	Walnut	6-8 weeks	5.60 kg	5.604	7.005
Leather	Noble Aniline leather	Black	Black or Oak	6-8 weeks	5.60 kg	5.368	6.710
		Black	Walnut	6-8 weeks	5.60 kg	5.488	6.860
		Chrome	Black or Oak	6-8 weeks	5.60 kg	5.724	7.155
		Chrome	Walnut	6-8 weeks	5.60 kg	5.844	7.305
Leather	Elmosoft Semi-aniline leather	Black	Black or Oak	6-8 weeks	5.60 kg	5.724	7.155
		Black	Walnut	6-8 weeks	5.60 kg	5.844	7.305
		Chrome	Black or Oak	6-8 weeks	5.60 kg	6.084	7.605
		Chrome	Walnut	6-8 weeks	5.60 kg	6.204	7.755
COM	Fabric	Black	Black or Oak	6-8 weeks	5.60 kg	4.172	5.215
		Black	Walnut	6-8 weeks	5.60 kg	4.292	5.365
		Chrome	Black or Oak	6-8 weeks	5.60 kg	4.532	5.665
		Chrome	Walnut	6-8 weeks	5.60 kg	4.652	5.815

* Please be aware that patterns may not align at seams or edges

** Please be aware that the placement of the pattern may vary from piece to piece due to optimal usage of fabric when cutting. Patterns may not align at seams or edges

Pavilion AV4 Anderssen & Voll 2018



Product no.	Product	Variant	Lead time	Weight	PRICE EX. VAT (SEK)	PRICE INC. VAT (SEK)
134566	Pavilion Stacking Trolley		Stock item	20.00 kg	9.548	11.935
	Linking device (must be specified with the order)		6-8 weeks		712	890
145303	Plastic gliders for Pavilion w. tube base, 4 pcs	Black	Stock item		148	185
145304	Felt gliders for Pavilion w. tube base, 4 pcs	Black	Stock item		148	185



EU Ecolabel certified, validating high standards of durability, circular design, and responsible use of chemicals. Please contact our sales team for a list of EU Ecolabel compliant combinations.



Made using FSC® certified wood, supporting responsible environmental, social and economical management of the world's forests. Visit www.fsc.org

Stackable chair:

With trolley: 12 pcs - Without trolley: 10 pcs -With linking device: 8 pcs

Frame	Back	Back rest fittings
Black	Water based Lacquered Oak, Black Water Based Lacquered Oak, Water based Lacquered Walnut	Black (standard), Brass or Chrome (on request)
Chrome	Water based Lacquered Oak, Black Water Based Lacquered Oak, Water based Lacquered Walnut	Chrome (standard), Brass or Black (on request)

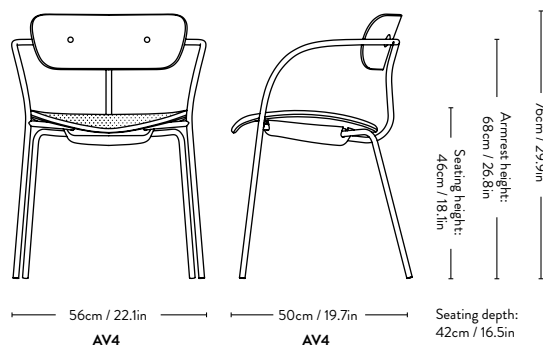
Material: Steel tubes, formpressed veneer, HR foam, fabric or leather upholstery.

Fabric usage: 0.45 meters based on 140cm roll.

Leather usage: 0.55 square meters based on a yield of 60% pr hide.

COM must be approved by &Tradition to ensure suitability for upholstery.

Plastic gliders installed as standard.
Felt gliders available upon request.



Pavilion AV12

Anderssen & Voll

2019



Fabric gr.	Upholstery	Base	Lead time	Weight	PRICE EX. VAT (SEK)	PRICE INC. VAT (SEK)
Fabric gr. 1	Grain, Hot Madison, Remix, Re-Wool	Black	6-8 weeks	5.00 kg	4.532	5.665
		Chrome	6-8 weeks	5.00 kg	4.772	5.965
Fabric gr. 2	Asator, Barnum, Canvas, Fiord	Black	6-8 weeks	5.00 kg	5.724	7.155
		Chrome	6-8 weeks	5.00 kg	5.964	7.455
Fabric gr. 3	Clay, Hallingdal, Mylla, Steelcut Quartet, Steelcut Trio	Black	6-8 weeks	5.00 kg	5.844	7.305
		Chrome	6-8 weeks	5.00 kg	6.084	7.605
Fabric gr. 4	Acca, Beda, Cifrado, Ecriture, Moss, Vidar	Black	6-8 weeks	5.00 kg	5.964	7.455
		Chrome	6-8 weeks	5.00 kg	6.204	7.755
Fabric gr. 5	Gentle, Karakorum, Sisu, Zade*	Black	6-8 weeks	5.00 kg	6.920	8.650
		Chrome	6-8 weeks	5.00 kg	7.160	8.950
Fabric gr. 6	Fuse, Tiger Mountain**	Black	6-8 weeks	5.00 kg	7.756	9.695
		Chrome	6-8 weeks	5.00 kg	7.876	9.845
COM	Fabric	Black	6-8 weeks	5.00 kg	4.532	5.665
		Chrome	6-8 weeks	5.00 kg	4.772	5.965

Product no.	Product	Variant	Lead time	Weight	PRICE EX. VAT (SEK)	PRICE INC. VAT (SEK)
134566	Pavilion Stacking Trolley		Stock item	20.00 kg	9.548	11.935
	Linking device (must be specified with the order)		6-8 weeks		712	890
145303	Plastic gliders for Pavilion w. tube base, 4 pcs	Black	Stock item		148	185
145304	Felt gliders for Pavilion w. tube base, 4 pcs	Black	Stock item		148	185

* Please be aware that patterns may not align at seams or edges
 ** Please be aware that the placement of the pattern may vary from piece to piece due to optimal usage of fabric when cutting. Patterns may not align at seams or edges



EU Ecolabel certified, validating high standards of durability, circular design, and responsible use of chemicals. Please contact our sales team for a list of EU Ecolabel compliant combinations.



Made using FSC® certified wood, supporting responsible environmental, social and economical management of the world's forests. Visit www.fsc.org

Frame	Back	Seat
Black	Upholstered	Upholstered
Chrome	Upholstered	Upholstered

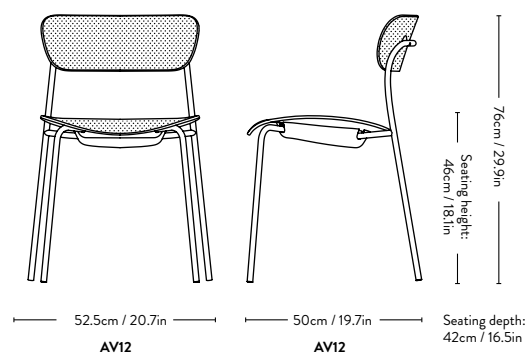
Material: Steel tubes, formpressed veneer, HR foam, fabric upholstery.

Fabric usage: 0.9 meter based on a 140cm roll.

COM must be approved by &Tradition to ensure suitability for upholstery. Pavilion AV12 is not available in leather.

Plastic gliders installed as standard.
 Felt gliders available upon request.

Stackable chair:
 With trolley: 12 pcs - Without trolley: 10 pcs -With linking device: 8 pcs



Pavilion AV13

Anderssen & Voll

2019



Fabric gr.	Upholstery	Base	Lead time	Weight	PRICE EX. VAT (SEK)	PRICE INC. VAT (SEK)
Fabric gr. 1	Grain, Hot Madison, Remix, Re-Wool	Black	6-8 weeks	5.60 kg	5.128	6.410
		Chrome	6-8 weeks	5.60 kg	5.488	6.860
Fabric gr. 2	Asator, Barnum, Canvas, Fiord	Black	6-8 weeks	5.60 kg	6.324	7.905
		Chrome	6-8 weeks	5.60 kg	6.680	8.350
Fabric gr. 3	Clay, Hallingdal, Mylla, Steelcut Quartet, Steelcut Trio	Black	6-8 weeks	5.60 kg	6.440	8.050
		Chrome	6-8 weeks	5.60 kg	6.800	8.500
Fabric gr. 4	Acca, Beda, Cifrado, Ecriture, Moss, Vidar	Black	6-8 weeks	5.60 kg	6.560	8.200
		Chrome	6-8 weeks	5.60 kg	6.920	8.650
Fabric gr. 5	Gentle, Karakorum, Sisu, Zade*	Black	6-8 weeks	5.60 kg	7.516	9.395
		Chrome	6-8 weeks	5.60 kg	7.876	9.845
Fabric gr. 6	Fuse, Tiger Mountain**	Black	6-8 weeks	5.60 kg	8.232	10.290
		Chrome	6-8 weeks	5.60 kg	8.712	10.890
COM	Fabric	Black	6-8 weeks	5.60 kg	5.128	6.410
		Chrome	6-8 weeks	5.60 kg	5.488	6.860

Product no.	Product	Variant	Lead time	Weight	PRICE EX. VAT (SEK)	PRICE INC. VAT (SEK)
134566	Pavilion Stacking Trolley		Stock item	20.00 kg	9.548	11.935
	Linking device (must be specified with the order)		6-8 weeks		712	890
145303	Plastic gliders for Pavilion w. tube base, 4 pcs	Black	Stock item		148	185
145304	Felt gliders for Pavilion w. tube base, 4 pcs	Black	Stock item		148	185

* Please be aware that patterns may not align at seams or edges

** Please be aware that the placement of the pattern may vary from piece to piece due to optimal usage of fabric when cutting. Patterns may not align at seams or edges



EU Ecolabel certified, validating high standards of durability, circular design, and responsible use of chemicals. Please contact our sales team for a list of EU Ecolabel compliant combinations.



Made using FSC® certified wood, supporting responsible environmental, social and economical management of the world's forests. Visit www.fsc.org

Frame	Back	Seat
Black or Chrome	Upholstered	Upholstered

Material: Steel tubes, formpressed veneer, HR foam, fabric upholstery.

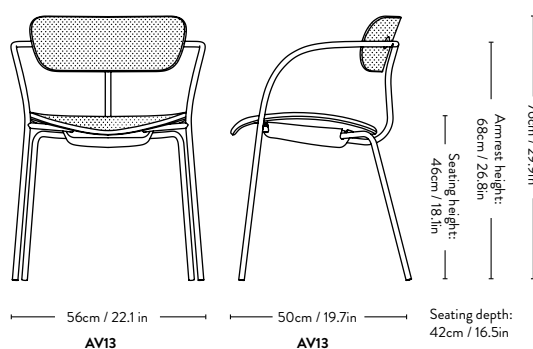
Fabric usage: 0.9 meter based on a 140cm roll.

COM must be approved by &Tradition to ensure suitability for upholstery.

Pavilion AV13 is not available in leather.

Plastic gliders installed as standard.
Felt gliders available upon request.

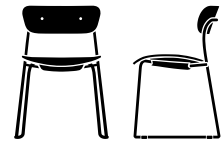
Stackable chair:
With trolley: 12 pcs - Without trolley: 10 pcs -With linking device: 8 pcs



Pavilion AV51

Anderssen & Voll

2025



Product no.	Variant	Base	Colli qty.	Lead time	Weight	PRICE EX. VAT (SEK)	PRICE INC. VAT (SEK)
139841A249	Oak	Black	2 pcs	Stock item	4.50 kg	2.740	3.425
139841A251	Black Oak	Black	2 pcs	Stock item	4.50 kg	2.740	3.425
139841A247	Walnut	Black	2 pcs	Stock item	4.50 kg	2.860	3.575

Product no.	Product	Lead time	Weight	PRICE EX. VAT (SEK)	PRICE INC. VAT (SEK)
134566	Pavilion Stacking Trolley	Stock item	20.00 kg	9.548	11.935
	Linking device (must be specified with the order)	6-8 weeks		120	150



Made using FSC® certified wood, supporting responsible environmental, social and economical management of the world's forests. Visit www.fsc.org

Frame	Seat & back	Back rest fittings
Black	Water Based Lacquered Oak, Black Water Based Lacquered Oak, Water Based Lacquered Walnut	Black (standard), Brass or Chrome (on request)

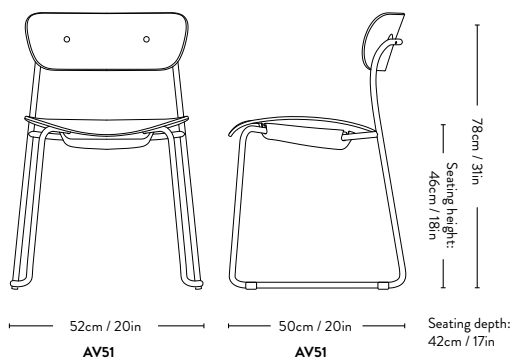
Material: Steel tubes and formpressed veneer.

Plastic gliders installed as standard.

Felt gliders available upon request (6-8 weeks lead time).

Stackable chair:

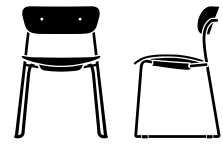
With trolley: 12 pcs - Without trolley: 10 pcs



Pavilion AV52

Anderssen & Voll

2025



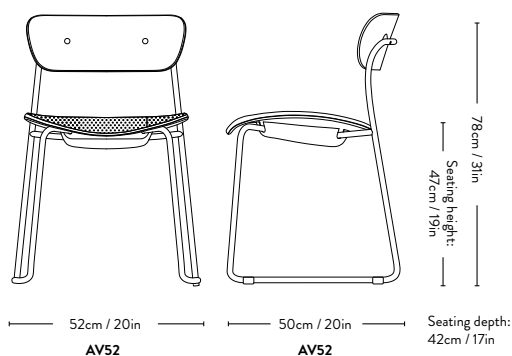
Fabric gr.	Seat Upholstery	Variant	Base	Lead time	Weight	PRICE EX. VAT (SEK)	PRICE INC. VAT (SEK)
Fabric gr. 1	Grain, Hot Madison, Remix, Re-Wool	Black or Oak	Black	6-8 weeks	4.80 kg	3.576	4.470
		Walnut	Black	6-8 weeks	4.80 kg	3.696	4.620
Fabric gr. 2	Asator, Barnum, Canvas, Fiord	Black or Oak	Black	6-8 weeks	4.80 kg	4.172	5.215
		Walnut	Black	6-8 weeks	4.80 kg	4.292	5.365
Fabric gr. 3	Clay, Hallingdal, Mylla, Steelcut Quartet, Steelcut Trio	Black or Oak	Black	6-8 weeks	4.80 kg	4.232	5.290
		Walnut	Black	6-8 weeks	4.80 kg	4.352	5.440
Fabric gr. 4	Acca, Beda, Cifrado, Ecriture, Moss, Vidar	Black or Oak	Black	6-8 weeks	4.80 kg	4.292	5.365
		Walnut	Black	6-8 weeks	4.80 kg	4.412	5.515
Fabric gr. 5	Gentle, Karakorum, Sisu, Zade*	Black or Oak	Black	6-8 weeks	4.80 kg	4.772	5.965
		Walnut	Black	6-8 weeks	4.80 kg	4.888	6.110
Fabric gr. 6	Fuse, Tiger Mountain**	Black or Oak	Black	6-8 weeks	4.80 kg	5.248	6.560
		Walnut	Black	6-8 weeks	4.80 kg	5.368	6.710
Leather	Tailor leather	Black or Oak	Black	6-8 weeks	4.80 kg	4.532	5.665
		Walnut	Black	6-8 weeks	4.80 kg	4.652	5.815
Leather	Noble Aniline leather	Black or Oak	Black	6-8 weeks	4.80 kg	4.772	5.965
		Walnut	Black	6-8 weeks	4.80 kg	4.888	6.110
Leather	Elmosoft Semi-aniline leather	Black or Oak	Black	6-8 weeks	4.80 kg	5.128	6.410
		Walnut	Black	6-8 weeks	4.80 kg	5.248	6.560
COM	Fabric	Black or Oak	Black	6-8 weeks	4.80 kg	3.576	4.470
		Walnut	Black	6-8 weeks	4.80 kg	3.696	4.620

Product no.	Product	Lead time	Weight	PRICE EX. VAT (SEK)	PRICE INC. VAT (SEK)
134566	Pavilion Stacking Trolley	Stock item	20.00 kg	9.548	11.935
	Linking device (must be specified with the order)	6-8 weeks		120	150

* Please be aware that patterns may not align at seams or edges
 ** Please be aware that the placement of the pattern may vary from piece to piece due to optimal usage of fabric when cutting. Patterns may not align at seams or edges



Made using FSC® certified wood, supporting responsible environmental, social and economical management of the world's forests. Visit www.fsc.org



Frame	Back	Back rest fittings
Black	Water Based Lacquered Oak, Black Water Based Lacquered Oak, Water Based Lacquered Walnut	Black (standard), Brass or Chrome (on request)

Material: Steel tubes, formpressed veneer, HR foam, fabric or leather upholstery.

Fabric usage: 0.7 meters based on 140 cm roll
Leather usage: 0.5 square meters based on a yield of 60% pr hide.

COM must be approved by &Tradition to ensure suitability for upholstery.

Plastic gliders installed as standard.
 Felt gliders available upon request.

Stackable chair:
 With trolley: 12 pcs - Without trolley: 8 pcs

Pavilion AV53

Anderssen & Voll

2025



Fabric gr.	Upholstery	Base	Lead time	Weight	PRICE EX. VAT (SEK)	PRICE INC. VAT (SEK)
Fabric gr. 1	Grain, Hot Madison, Remix, Re-Wool	Black	6-8 weeks	5.00 kg	4.532	5.665
Fabric gr. 2	Asator, Barnum, Canvas, Fiord	Black	6-8 weeks	5.00 kg	5.724	7.155
Fabric gr. 3	Clay, Hallingdal, Mylla, Steelcut Quartet, Steelcut Trio	Black	6-8 weeks	5.00 kg	5.844	7.305
Fabric gr. 4	Acca, Beda, Cifrado, Ecriture, Moss, Vidar	Black	6-8 weeks	5.00 kg	5.964	7.455
Fabric gr. 5	Gentle, Karakorum, Sisu, Zade*	Black	6-8 weeks	5.00 kg	6.920	8.650
Fabric gr. 6	Fuse, Tiger Mountain**	Black	6-8 weeks	5.00 kg	7.756	9.695
COM	Fabric	Black	6-8 weeks	5.00 kg	4.532	5.665

Product no.	Product	Lead time	Weight	PRICE EX. VAT (SEK)	PRICE INC. VAT (SEK)
134566	Pavilion Stacking Trolley	Stock item	20.00 kg	9.548	11.935
	Linking device (must be specified with the order)	6-8 weeks		120	150

* Please be aware that patterns may not align at seams or edges

** Please be aware that the placement of the pattern may vary from piece to piece due to optimal usage of fabric when cutting. Patterns may not align at seams or edges



Made using FSC® certified wood, supporting responsible environmental, social and economical management of the world's forests. Visit www.fsc.org

Frame	Back	Seat
Black	Upholstered	Upholstered

Material: Steel tubes, formpressed veneer, HR foam, fabric or leather upholstery.

Fabric usage: 1.1 meters based on 140 cm roll

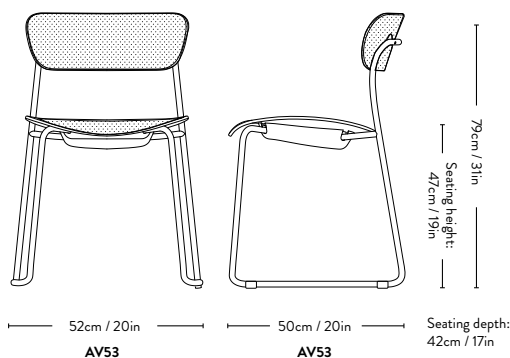
COM must be approved by &Tradition to ensure suitability for upholstery.

Plastic gliders installed as standard.

Felt gliders available upon request.

Stackable chair:

With trolley: 12 pcs - Without trolley: 8 pcs



Pavilion AV5

Anderssen & Voll

2018



Product no.	Variant	Base	Colli qty.	Lead time	Weight	PRICE EX. VAT (SEK)	PRICE INC. VAT (SEK)
133865A251	Black Oak	Black	1 pc	6-8 weeks	5.50 kg	5.488	6.860
133865A249	Oak	Black	1 pc	6-8 weeks	5.50 kg	5.488	6.860
133865A247	Walnut	Black	1 pc	6-8 weeks	5.50 kg	5.844	7.305

Product no.	Product	Variant	Lead time	PRICE EX. VAT (SEK)	PRICE INC. VAT (SEK)
145303	Plastic gliders for Pavilion w. tube base, 4 pcs	Black	Stock item	148	185
145304	Felt gliders for Pavilion w. tube base, 4 pcs	Black	Stock item	148	185



EU Ecolabel certified, validating high standards of durability, circular design, and responsible use of chemicals. Please contact our sales team for a list of EU Ecolabel compliant combinations.

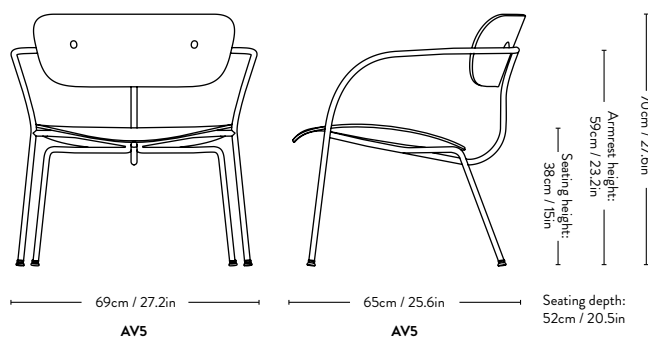


Made using FSC® certified wood, supporting responsible environmental, social and economical management of the world's forests. Visit www.fsc.org

Frame	Seat & back	Back rest fittings
Black	Water based Lacquered Oak, Black Water Based Lacquered Oak, Water based Lacquered Walnut	Black (standard), Brass (on request)

Material: Steel tubes and formpressed veneer.

Plastic gliders installed as standard.
Felt gliders available upon request.



Pavilion AV6

Anderssen & Voll

2018



Fabric gr.	Seat Upholstery	Variant	Lead time	Weight	PRICE EX. VAT (SEK)	PRICE INC. VAT (SEK)
Fabric gr. 1	Grain, Hot Madison, Remix, Re-Wool	Black Oak or Oak Walnut	6-8 weeks	6.50 kg	6.560	8.200
			6-8 weeks	6.50 kg	6.920	8.650
Fabric gr. 2	Asator, Barnum, Canvas, Fiord	Black Oak or Oak Walnut	6-8 weeks	6.50 kg	7.276	9.095
			6-8 weeks	6.50 kg	7.636	9.545
Fabric gr. 3	Clay, Hallingdal, Mylla, Steelcut Quartet, Steelcut Trio	Black Oak or Oak Walnut	6-8 weeks	6.50 kg	7.336	9.170
			6-8 weeks	6.50 kg	7.696	9.620
Fabric gr. 4	Acca, Beda, Cifrado, Ecriture, Moss, Vidar	Black Oak or Oak Walnut	6-8 weeks	6.50 kg	7.516	9.395
			6-8 weeks	6.50 kg	7.756	9.695
Fabric gr. 5	Gentle, Karakorum, Sisu, Zade*	Black Oak or Oak Walnut	6-8 weeks	6.50 kg	7.996	9.995
			6-8 weeks	6.50 kg	8.232	10.290
Fabric gr. 6	Fuse, Tiger Mountain**	Black Oak or Oak Walnut	6-8 weeks	6.50 kg	8.828	11.035
			6-8 weeks	6.50 kg	9.068	11.335
Leather	Tailor Semi-aniline leather	Black Oak or Oak Walnut	6-8 weeks	6.50 kg	7.756	9.695
			6-8 weeks	6.50 kg	7.996	9.995
Leather	Noble Aniline leather	Black Oak or Oak Walnut	6-8 weeks	6.50 kg	7.996	9.995
			6-8 weeks	6.50 kg	8.232	10.290
Leather	Elmosoft Semi-aniline leather	Black Oak or Oak Walnut	6-8 weeks	6.50 kg	8.352	10.440
			6-8 weeks	6.50 kg	8.592	10.740
COM	Fabric	Black Oak or Oak Walnut	6-8 weeks	6.50 kg	6.560	8.200
			6-8 weeks	6.50 kg	6.920	8.650

Product no.	Product	Variant	Lead time	PRICE EX. VAT (SEK)	PRICE INC. VAT (SEK)
145303	Plastic gliders for Pavilion w. tube base, 4 pcs	Black	Stock item	148	185
145304	Felt gliders for Pavilion w. tube base, 4 pcs	Black	Stock item	148	185

* Please be aware that patterns may not align at seams or edges
 ** Please be aware that the placement of the pattern may vary from piece to piece due to optimal usage of fabric when cutting. Patterns may not align at seams or edges



EU Ecolabel certified, validating high standards of durability, circular design, and responsible use of chemicals. Please contact our sales team for a list of EU Ecolabel compliant combinations.



Made using FSC® certified wood, supporting responsible environmental, social and economical management of the world's forests. Visit www.fsc.org

Frame	Back	Back rest fittings
Black	Water based Lacquered Oak, Black Water Based Lacquered Oak, Water based Lacquered Walnut	Black (standard), Brass (on request)

Material: Steel tubes, formpressed veneer, HR foam, fabric or leather upholstery.

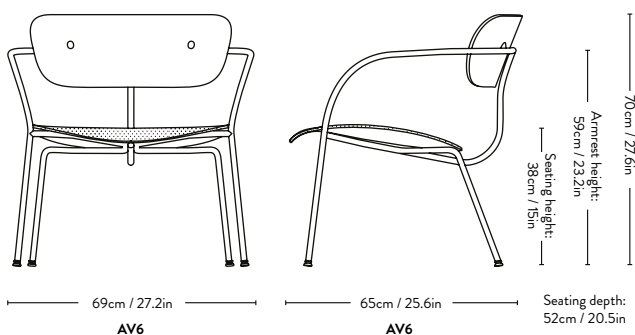
Fabric usage: 0.73 meters based on 140cm roll

Leather usage: 0.5 square meters based on a yield of 60% pr hide.

COM must be approved by &Tradition to ensure suitability for upholstery.

Plastic gliders installed as standard.

Felt gliders available upon request.



Pavilion AV11

Anderssen & Voll

2019



Fabric gr.	Upholstery	Lead time	Weight	PRICE EX. VAT (SEK)	PRICE INC. VAT (SEK)
Fabric gr. 1	Grain, Hot Madison, Remix, Re-Wool	6-8 weeks	6.50 kg	7.516	9.395
Fabric gr. 2	Asator, Barnum, Canvas, Fiord	6-8 weeks	6.50 kg	8.232	10.290
Fabric gr. 3	Clay, Hallingdal, Mylla, Steelcut Quartet, Steelcut Trio	6-8 weeks	6.50 kg	8.352	10.440
Fabric gr. 4	Acca, Beda, Cifrado, Ecriture, Moss, Vidar	6-8 weeks	6.50 kg	8.472	10.590
Fabric gr. 5	Gentle, Karakorum, Sisu, Zade*	6-8 weeks	6.50 kg	8.948	11.185
Fabric gr. 6	Fuse, Tiger Mountain**	6-8 weeks	6.50 kg	9.784	12.230
COM	Fabric	6-8 weeks	6.50 kg	7.516	9.395

Product no.	Product	Variant	Lead time	PRICE EX. VAT (SEK)	PRICE INC. VAT (SEK)
145303	Plastic gliders for Pavilion w. tube base, 4 pcs	Black	Stock item	148	185
145304	Felt gliders for Pavilion w. tube base, 4 pcs	Black	Stock item	148	185

* Please be aware that patterns may not align at seams or edges

** Please be aware that the placement of the pattern may vary from piece to piece due to optimal usage of fabric when cutting. Patterns may not align at seams or edges



EU Ecolabel certified, validating high standards of durability, circular design, and responsible use of chemicals. Please contact our sales team for a list of EU Ecolabel compliant combinations.



Made using FSC® certified wood, supporting responsible environmental, social and economical management of the world's forests. Visit www.fsc.org

Frame	Back	Seat
Black	Upholstered	Upholstered

Material: Steel tubes, formpressed veneer, HR foam, fabric or leather upholstery.

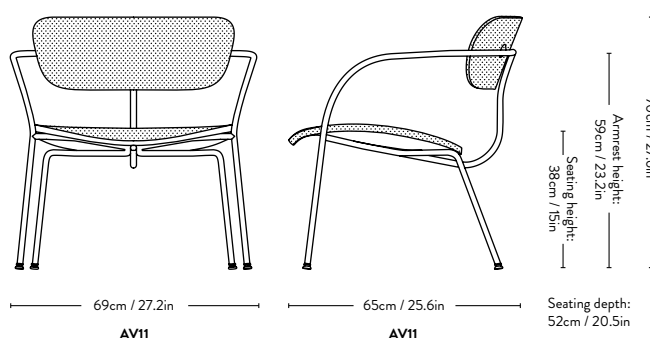
Fabric usage: 1 meter based on a 140cm roll.

COM must be approved by &Tradition to ensure suitability for upholstery.

Pavilion AV11 is not available in leather.

Plastic gliders installed as standard.

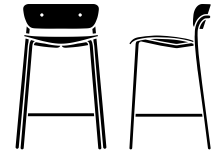
Felt gliders available upon request.



Pavilion AV7

Anderssen & Voll

2018



Product no.	Variant	Colli qty.	Lead time	Weight	PRICE EX. VAT (SEK)	PRICE INC. VAT (SEK)
133873A251	Black Oak	1 pc	Stock item	5.00 kg	4.052	5.065
133873A249	Oak	1 pc	Stock item	5.00 kg	4.052	5.065
133873A247	Walnut	1 pc	Stock item	5.00 kg	4.172	5.215

Product no.	Product	Variant	Lead time	PRICE EX. VAT (SEK)	PRICE INC. VAT (SEK)
145303	Plastic gliders for Pavilion w. tube base, 4 pcs	Black	Stock item	148	185
145304	Felt gliders for Pavilion w. tube base, 4 pcs	Black	Stock item	148	185



EU Ecolabel certified, validating high standards of durability, circular design, and responsible use of chemicals. Please contact our sales team for a list of EU Ecolabel compliant combinations.

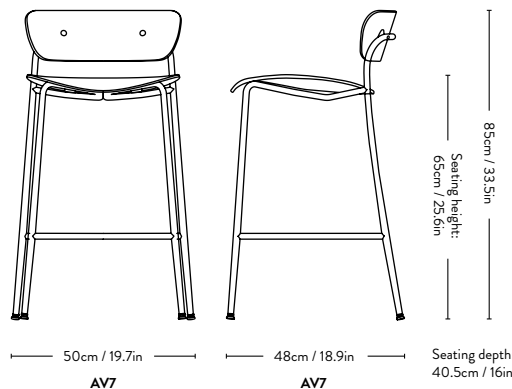


Made using FSC® certified wood, supporting responsible environmental, social and economical management of the world's forests. Visit www.fsc.org

Frame	Seat & back	Back rest fittings
Black	Water based Lacquered Oak, Black Water Based Lacquered Oak, Water based Lacquered Walnut	Black (standard), Brass (on request)

Material: Steel tubes, formpressed veneer

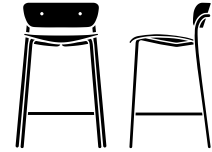
Plastic gliders installed as standard.
Felt gliders available upon request.



Pavilion AV8

Anderssen & Voll

2018



Fabric gr.	Seat Upholstery	Variant	Lead time	Weight	PRICE EX. VAT (SEK)	PRICE INC. VAT (SEK)
Fabric gr. 1	Grain, Hot Madison, Remix, Re-Wool	Black Oak or Oak Walnut	6-8 weeks	5.00 kg	4.888	6.110
			6-8 weeks	5.00 kg	5.008	6.260
Fabric gr. 2	Asator, Barnum, Canvas, Fiord	Black Oak or Oak Walnut	6-8 weeks	5.00 kg	5.488	6.860
			6-8 weeks	5.00 kg	5.604	7.005
Fabric gr. 3	Clay, Hallingdal, Mylla, Steelcut Quartet, Steelcut Trio	Black Oak or Oak Walnut	6-8 weeks	5.00 kg	5.548	6.935
			6-8 weeks	5.00 kg	5.664	7.080
Fabric gr. 4	Acca, Beda, Cifrado, Ecriture, Moss, Vidar	Black Oak or Oak Walnut	6-8 weeks	5.00 kg	5.604	7.005
			6-8 weeks	5.00 kg	5.724	7.155
Fabric gr. 5	Gentle, Karakorum, Sisu, Zade*	Black Oak or Oak Walnut	6-8 weeks	5.00 kg	6.084	7.605
			6-8 weeks	5.00 kg	6.204	7.755
Fabric gr. 6	Fuse, Tiger Mountain**	Black Oak or Oak Walnut	6-8 weeks	5.00 kg	6.680	8.350
			6-8 weeks	5.00 kg	6.800	8.500
Leather	Tailor Semi-aniline leather	Black Oak or Oak Walnut	6-8 weeks	5.00 kg	5.844	7.305
			6-8 weeks	5.00 kg	5.964	7.455
Leather	Noble Aniline leather	Black Oak or Oak Walnut	6-8 weeks	5.00 kg	6.084	7.605
			6-8 weeks	5.00 kg	6.204	7.755
Leather	Elmosoft Semi-aniline leather	Black Oak, Oak Walnut	6-8 weeks	5.00 kg	6.440	8.050
			6-8 weeks	5.00 kg	6.560	8.200
COM	Fabric	Black Oak, Oak Walnut	6-8 weeks	5.00 kg	4.888	6.110
			6-8 weeks	5.00 kg	5.008	6.260

Product no.	Product	Variant	Lead time	PRICE EX. VAT (SEK)	PRICE INC. VAT (SEK)
145303	Plastic gliders for Pavilion w. tube base, 4 pcs	Black	Stock item	148	185
145304	Felt gliders for Pavilion w. tube base, 4 pcs	Black	Stock item	148	185

* Please be aware that patterns may not align at seams or edges
 ** Please be aware that the placement of the pattern may vary from piece to piece due to optimal usage of fabric when cutting. Patterns may not align at seams or edges



EU Ecolabel certified, validating high standards of durability, circular design, and responsible use of chemicals. Please contact our sales team for a list of EU Ecolabel compliant combinations.



Made using FSC® certified wood, supporting responsible environmental, social and economical management of the world's forests. Visit www.fsc.org

Frame	Back	Back rest fittings
Black	Water based Lacquered Oak, Black Water Based Lacquered Oak, Water based Lacquered Walnut	Black (standard), Brass (on request)

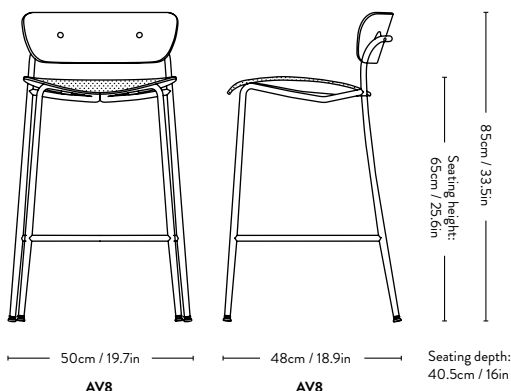
Material: Steel tubes, formpressed veneer, HR foam, fabric or leather upholstery.

Fabric usage: 0.45 meters based on 140cm roll.

Leather usage: 0.55 square meters based on a yield of 60% pr hide.

COM must be approved by &Tradition to ensure suitability for upholstery.

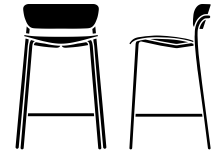
Plastic gliders installed as standard.
 Felt gliders available upon request.



Pavilion AV14

Anderssen & Voll

2019



Fabric gr.	Upholstery	Lead time	Weight	PRICE EX. VAT (SEK)	PRICE INC. VAT (SEK)
Fabric gr. 1	Grain, Hot Madison, Remix, Re-Wool	6-8 weeks	5.00 kg	5.844	7.305
Fabric gr. 2	Asator, Barnum, Canvas, Fiord	6-8 weeks	5.00 kg	7.040	8.800
Fabric gr. 3	Clay, Hallingdal, Mylla, Steelcut Quartet, Steelcut Trio	6-8 weeks	5.00 kg	7.160	8.950
Fabric gr. 4	Acca, Beda, Cifrado, Ecriture, Moss, Vidar	6-8 weeks	5.00 kg	7.276	9.095
Fabric gr. 5	Gentle, Karakorum, Sisu, Zade*	6-8 weeks	5.00 kg	8.232	10.290
Fabric gr. 6	Fuse, Tiger Mountain**	6-8 weeks	5.00 kg	9.068	11.335
COM	Fabric	6-8 weeks	5.00 kg	5.844	7.305

Product no.	Product	Variant	Lead time	PRICE EX. VAT (SEK)	PRICE INC. VAT (SEK)
145303	Plastic gliders for Pavilion w. tube base, 4 pcs	Black	Stock item	148	185
145304	Felt gliders for Pavilion w. tube base, 4 pcs	Black	Stock item	148	185

* Please be aware that patterns may not align at seams or edges
 ** Please be aware that the placement of the pattern may vary from piece to piece due to optimal usage of fabric when cutting. Patterns may not align at seams or edges



EU Ecolabel certified, validating high standards of durability, circular design, and responsible use of chemicals. Please contact our sales team for a list of EU Ecolabel compliant combinations.



Made using FSC® certified wood, supporting responsible environmental, social and economical management of the world's forests. Visit www.fsc.org

Frame	Back	Seat
Black	Upholstered	Upholstered

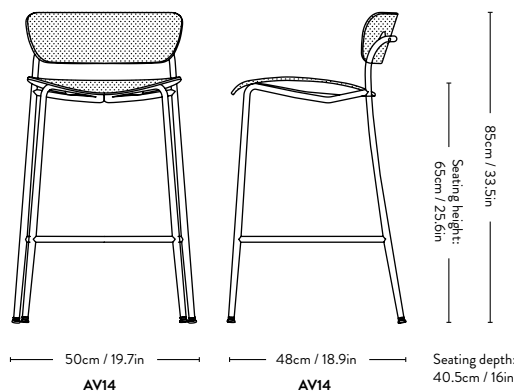
Material: Steel tubes, formpressed veneer, HR foam, fabric or leather upholstery.

Fabric usage: 0.8 meter based on a 140cm roll.

COM must be approved by &Tradition to ensure suitability for upholstery.

Pavilion AV14 is not available in leather.

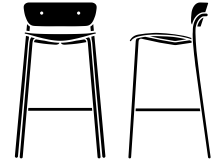
Plastic gliders installed as standard.
 Felt gliders available upon request.



Pavilion AV9

Anderssen & Voll

2018



Product no.	Variant	Colli qty.	Lead time	Weight	PRICE EX. VAT (SEK)	PRICE INC. VAT (SEK)
133881A251	Black Oak	1 pc	Stock item	5.00 kg	4.172	5.215
133881A249	Oak	1 pc	Stock item	5.00 kg	4.172	5.215
133881A247	Walnut	1 pc	Stock item	5.00 kg	4.292	5.365

Product no.	Product	Variant	Lead time	PRICE EX. VAT (SEK)	PRICE INC. VAT (SEK)
145303	Plastic gliders for Pavilion w. tube base, 4 pcs	Black	Stock item	148	185
145304	Felt gliders for Pavilion w. tube base, 4 pcs	Black	Stock item	148	185



EU Ecolabel certified, validating high standards of durability, circular design, and responsible use of chemicals. Please contact our sales team for a list of EU Ecolabel compliant combinations.

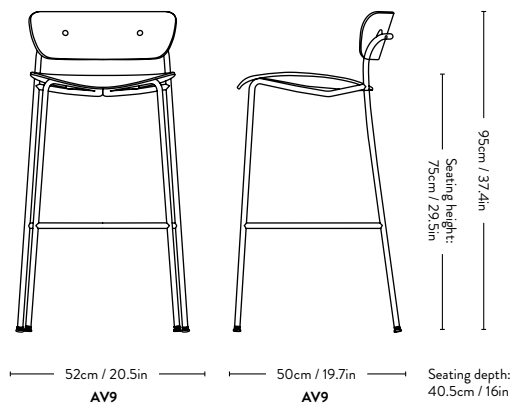


Made using FSC® certified wood, supporting responsible environmental, social and economical management of the world's forests. Visit www.fsc.org

Frame	Seat & back	Back rest fittings
Black	Water based Lacquered Oak, Black Water Based Lacquered Oak, Water based Lacquered Walnut	Black (standard), Brass (on request)

Material: Steel tubes, formpressed veneer

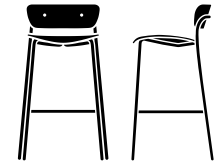
Plastic gliders installed as standard.
Felt gliders available upon request.



Pavilion AV10

Anderssen & Voll

2018



Fabric gr.	Seat Upholstery	Variant	Lead time	Weight	PRICE EX. VAT (SEK)	PRICE INC. VAT (SEK)
Fabric gr. 1	Grain, Hot Madison, Remix, Re-Wool	Black Oak, Oak	6-8 weeks	5.30 kg	5.008	6.260
		Walnut	6-8 weeks	5.30 kg	5.128	6.410
Fabric gr. 2	Asator, Barnum, Canvas, Fiord	Black Oak, Oak	6-8 weeks	5.30 kg	5.604	7.005
		Walnut	6-8 weeks	5.30 kg	5.724	7.155
Fabric gr. 3	Clay, Hallingdal, Mylla, Steelcut Quartet, Steelcut Trio	Black Oak, Oak	6-8 weeks	5.30 kg	5.664	7.080
		Walnut	6-8 weeks	5.30 kg	5.784	7.230
Fabric gr. 4	Acca, Beda, Cifrado, Ecriture, Moss, Vidar	Black Oak, Oak	6-8 weeks	5.30 kg	5.724	7.155
		Walnut	6-8 weeks	5.30 kg	5.844	7.305
Fabric gr. 5	Gentle, Karakorum, Sisu, Zade*	Black Oak, Oak	6-8 weeks	5.30 kg	6.204	7.755
		Walnut	6-8 weeks	5.30 kg	6.324	7.905
Fabric gr. 6	Fuse, Tiger Mountain**	Black Oak, Oak	6-8 weeks	5.30 kg	6.800	8.500
		Walnut	6-8 weeks	5.30 kg	6.920	8.650
Leather	Tailor Semi-aniline leather	Black Oak, Oak	6-8 weeks	5.30 kg	5.964	7.455
		Walnut	6-8 weeks	5.30 kg	6.084	7.605
Leather	Noble Aniline leather	Black Oak, Oak	6-8 weeks	5.30 kg	6.204	7.755
		Walnut	6-8 weeks	5.30 kg	6.324	7.905
Leather	Elmosoft Semi-aniline leather	Black Oak, Oak	6-8 weeks	5.30 kg	6.560	8.200
		Walnut	6-8 weeks	5.30 kg	6.680	8.350
COM	Fabric	Black Oak, Oak	6-8 weeks	5.30 kg	5.008	6.260
		Walnut	6-8 weeks	5.30 kg	5.128	6.410

Product no.	Product	Variant	Lead time	PRICE EX. VAT (SEK)	PRICE INC. VAT (SEK)
145303	Plastic gliders for Pavilion w. tube base, 4 pcs	Black	Stock item	148	185
145304	Felt gliders for Pavilion w. tube base, 4 pcs	Black	Stock item	148	185

* Please be aware that patterns may not align at seams or edges
 ** Please be aware that the placement of the pattern may vary from piece to piece due to optimal usage of fabric when cutting. Patterns may not align at seams or edges



EU Ecolabel certified, validating high standards of durability, circular design, and responsible use of chemicals. Please contact our sales team for a list of EU Ecolabel compliant combinations.



Made using FSC® certified wood, supporting responsible environmental, social and economical management of the world's forests. Visit www.fsc.org

Frame	Back	Back rest fittings
Black	Water based Lacquered Oak, Black Water Based Lacquered Oak, Water based Lacquered Walnut	Black (standard), Brass (on request)

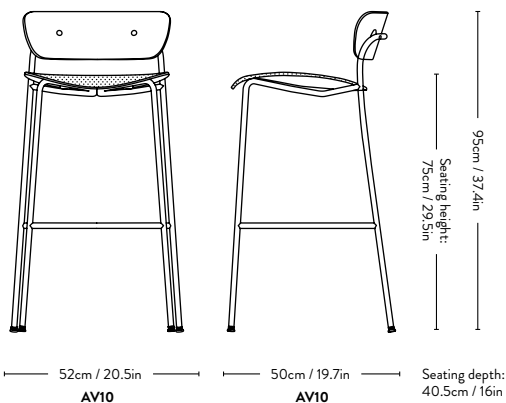
Material: Steel tubes, formpressed veneer, HR foam, fabric or leather upholstery.

Fabric usage: 0.45 meters based on 140cm roll.

Leather usage: 0.55 square meters based on a yield of 60% pr hide.

COM must be approved by &Tradition to ensure suitability for upholstery.

Plastic gliders installed as standard.
 Felt gliders available upon request.



Pavilion AV15

Anderssen & Voll

2019



Fabric gr.	Upholstery	Lead time	Weight	PRICE EX. VAT (SEK)	PRICE INC. VAT (SEK)
Fabric gr. 1	Grain, Hot Madison, Remix, Re-Wool	6-8 weeks	5.30 kg	5.964	7.455
Fabric gr. 2	Asator, Barnum, Canvas, Fiord	6-8 weeks	5.30 kg	7.160	8.950
Fabric gr. 3	Clay, Hallingdal, Mylla, Steelcut Quartet, Steelcut Trio	6-8 weeks	5.30 kg	7.276	9.095
Fabric gr. 4	Acca, Beda, Cifrado, Ecriture, Moss, Vidar	6-8 weeks	5.30 kg	7.396	9.245
Fabric gr. 5	Gentle, Karakorum, Sisu, Zade*	6-8 weeks	5.30 kg	8.352	10.440
Fabric gr. 6	Fuse, Tiger Mountain**	6-8 weeks	5.30 kg	9.188	11.485
COM	Fabric	6-8 weeks	5.30 kg	5.964	7.455

Product no.	Product	Variant	Lead time	PRICE EX. VAT (SEK)	PRICE INC. VAT (SEK)
145303	Plastic gliders for Pavilion w. tube base, 4 pcs	Black	Stock item	148	185
145304	Felt gliders for Pavilion w. tube base, 4 pcs	Black	Stock item	148	185

* Please be aware that patterns may not align at seams or edges
 ** Please be aware that the placement of the pattern may vary from piece to piece due to optimal usage of fabric when cutting. Patterns may not align at seams or edges

Frame	Back	Seat
Black	Upholstered	Upholstered



EU Ecolabel certified, validating high standards of durability, circular design, and responsible use of chemicals. Please contact our sales team for a list of EU Ecolabel compliant combinations.



Made using FSC® certified wood, supporting responsible environmental, social and economical management of the world's forests. Visit www.fsc.org

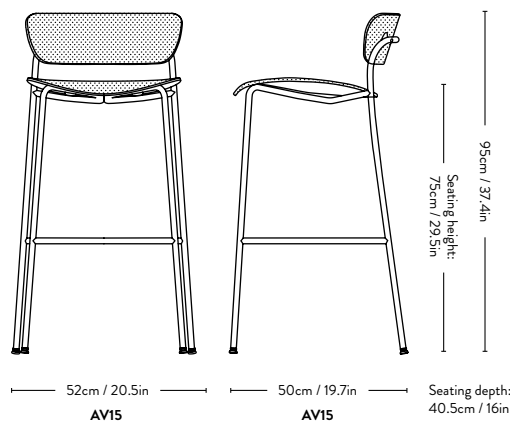
Material: Steel tubes, formpressed veneer, HR foam, fabric upholstery.

Fabric usage: 0.8 meter based on a 140cm roll.

COM must be approved by &Tradition to ensure suitability for upholstery.

Pavilion AV15 is not available in leather.

Plastic gliders installed as standard.
 Felt gliders available upon request.



Pavilion AV36, AV37 & AV38

Anderssen & Voll

2025



Product no.	Variant	Product code	Base	Colli qty.	Lead time	Weight	PRICE EX. VAT (SEK)	PRICE INC. VAT (SEK)
139861A249	Oak	AV36	Black	1 pc	Stock item	2.80 kg	2.384	2.980
139861A251	Black Oak	AV36	Black	1 pc	Stock item	2.80 kg	2.384	2.980
139861A247	Walnut	AV36	Black	1 pc	Stock item	2.80 kg	2.500	3.125
139863A249	Oak	AV37	Black	1 pc	Stock item	3.50 kg	3.336	4.170
139863A251	Black Oak	AV37	Black	1 pc	Stock item	3.50 kg	3.336	4.170
139863A247	Walnut	AV37	Black	1 pc	Stock item	3.50 kg	3.456	4.320
139865A249	Oak	AV38	Black	1 pc	Stock item	4.00 kg	3.576	4.470
139865A251	Black Oak	AV38	Black	1 pc	Stock item	4.00 kg	3.576	4.470
139865A247	Walnut	AV38	Black	1 pc	Stock item	4.00 kg	3.696	4.620

Product no.	Product	Variant	Lead time	PRICE EX. VAT (SEK)	PRICE INC. VAT (SEK)
145303	Plastic gliders for Pavilion w. tube base, 4 pcs	Black	Stock item	148	185
145304	Felt gliders for Pavilion w. tube base, 4 pcs	Black	Stock item	148	185



Made using FSC® certified wood, supporting responsible environmental, social and economical management of the world's forests. Visit www.fsc.org

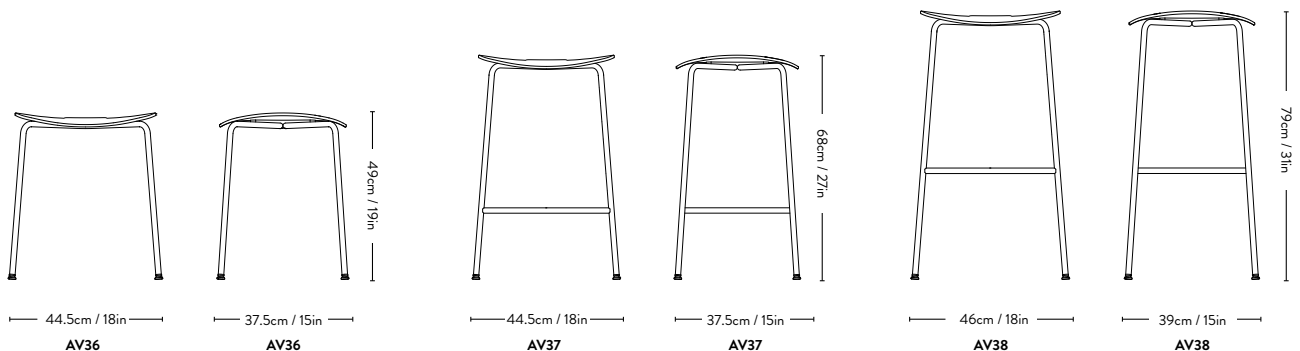
Frame Seat & back

Black Water Based Lacquered Oak, Black Water Based Lacquered Oak, Water Based Lacquered Walnut

Material: Steel tubes and formpressed veneer.

Plastic gliders installed as standard.
Felt gliders available upon request (6-8 weeks lead time).

AV36, Stackable chair: 10 pcs



Rely ^{HW6} Hee Welling 2020



Shell Variant	Base	Colli qty.	Lead time	Weight	PRICE EX. VAT (SEK)	PRICE INC. VAT (SEK)
Black	Black, Bronzed, Chrome	1 pc (4pcs)	2-3 weeks	5.20 kg	2.264 2.144	2.830 2.680
White	Black, Bronzed, Chrome	1 pc (4pcs)	2-3 weeks	5.20 kg	2.264 2.144	2.830 2.680
Beige Sand	Black, Bronzed, Chrome	1 pc (4pcs)	2-3 weeks	5.20 kg	2.264 2.144	2.830 2.680
Red Brown	Black, Bronzed, Chrome	1 pc (4pcs)	2-3 weeks	5.20 kg	2.264 2.144	2.830 2.680
Light Blue	Black, Bronzed, Chrome	1 pc (4pcs)	2-3 weeks	5.20 kg	2.264 2.144	2.830 2.680
Stone Grey	Black, Bronzed, Chrome	1 pc (4pcs)	2-3 weeks	5.20 kg	2.264 2.144	2.830 2.680
Vermilion Red*	Black, Bronzed, Chrome	1 pc (4pcs)	2-3 weeks	5.20 kg	2.264 2.144	2.830 2.680
Bronze Green	Black, Bronzed, Chrome	1 pc (4pcs)	2-3 weeks	5.20 kg	2.264 2.144	2.830 2.680
Soft Pink*	Black, Bronzed, Chrome	1 pc (4pcs)	2-3 weeks	5.20 kg	2.264 2.144	2.830 2.680

Product no.	Product	Variant	Lead time	PRICE EX. VAT (SEK)	PRICE INC. VAT (SEK)
145307	Plastic gliders for Drawn, Elefy w. wood base, Rely w. tube (ex. stacking) & wood base, Muno, and Meantime Lounge Chairs, 4 pcs	Black	Stock item	88	110
145308	Felt gliders for Drawn, Elefy w. wood base, Rely w. tube (ex. stacking) & wood base, Muno, and Meantime Lounge Chairs, 4 pcs	Black	Stock item	88	110

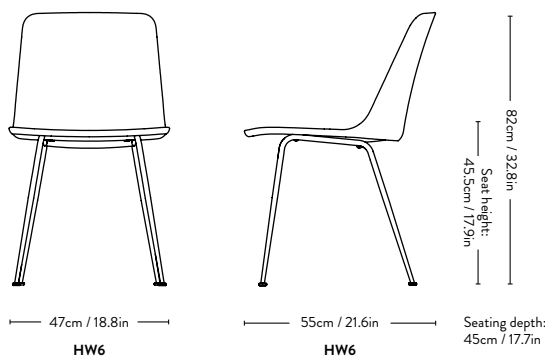


EU Ecolabel certified, validating high standards of durability, circular design, and responsible use of chemicals. Please contact our sales team for a list of EU Ecolabel compliant combinations.

Material: Shell made from 100% recycled polypropylene with fiber glass and a steel tube base.

*Available while stock lasts

Plastic gliders installed as standard. Felt gliders available upon request.



Rely ^{HW7} Hee Welling 2020



Fabric gr.	Shell	Seat Cushion Upholstery	Base	Lead time	Weight	PRICE EX. VAT (SEK)	PRICE INC. VAT (SEK)
Fabric gr. 1	Plastic	Grain, Hot Madison, Remix, Re-Wool	Black, Bronzed, Chrome	4-6 weeks	6.50 kg	3.576	4.470
Fabric gr. 2	Plastic	Asator, Barnum, Canvas, Fiord	Black, Bronzed, Chrome	4-6 weeks	6.50 kg	3.936	4.920
Fabric gr. 3	Plastic	Clay, Hallingdal, Mylla, Steelcut Quartet, Steelcut Trio	Black, Bronzed, Chrome	4-6 weeks	6.50 kg	4.052	5.065
Fabric gr. 4	Plastic	Acca, Beda, Cifrado, Ecriture, Moss, Vidar	Black, Bronzed, Chrome	4-6 weeks	6.50 kg	4.412	5.515
Fabric gr. 5	Plastic	Gentle, Karakorum, Sisu	Black, Bronzed, Chrome	4-6 weeks	6.50 kg	4.888	6.110
Fabric gr. 6	Plastic	Fuse, Tiger Mountain**	Black, Bronzed, Chrome	4-6 weeks	6.50 kg	5.368	6.710
Leather	Plastic	Tailor Semi-aniline leather	Black, Bronzed, Chrome	4-6 weeks	6.50 kg	4.052	5.065
Leather	Plastic	Noble Aniline leather	Black, Bronzed, Chrome	4-6 weeks	6.50 kg	4.412	5.515
Leather	Plastic	Elmosoft Semi-aniline leather	Black, Bronzed, Chrome	4-6 weeks	6.50 kg	4.772	5.965
COM	Plastic	Fabric	Black, Bronzed, Chrome	4-6 weeks	6.50 kg	3.576	4.470

Product no.	Product	Variant	Lead time	PRICE EX. VAT (SEK)	PRICE INC. VAT (SEK)
145307	Plastic gliders for Drawn, Elefy w. wood base, Rely w. tube (ex. stacking) & wood base, Muno, and Meantime Lounge Chairs, 4 pcs	Black	Stock item	88	110
145308	Felt gliders for Drawn, Elefy w. wood base, Rely w. tube (ex. stacking) & wood base, Muno, and Meantime Lounge Chairs, 4 pcs	Black	Stock item	88	110

** Please be aware that the placement of the pattern may vary from piece to piece due to optimal usage of fabric when cutting. Patterns may not align at seams or edges



EU Ecolabel certified, validating high standards of durability, circular design, and responsible use of chemicals. Please contact our sales team for a list of EU Ecolabel compliant combinations.



Made using FSC® certified wood, supporting responsible environmental, social and economical management of the world's forests. Visit www.fsc.org



The mark of responsible forestry

Plastic shell variants

Black, White, Beige Sand, Red Brown, Light Blue, Stone Grey, Vermilion Red*, Bronze Green, Soft Pink*

Material: Shell made from 100% recycled polypropylene with fiber glass, HR foam seat covered with fabric or leather upholstery, steel tube base.

*Available while stock lasts

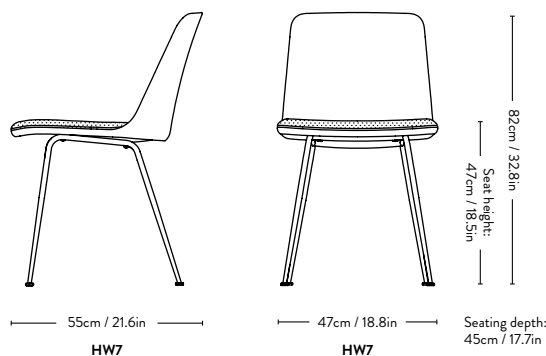
Fabric usage: 0.8 meter based on a 140 cm roll.

Leather usage: 1 square meter based on a yield of 60% pr hide.

COM must be approved by &Tradition to ensure suitability for upholstery.

Plastic gliders installed as standard.

Felt gliders available upon request.



Rely ^{HW8} Hee Welling 2020



Fabric gr.	Upholstery	Base	Lead time	Weight	PRICE EX. VAT (SEK)	PRICE INC. VAT (SEK)
Fabric gr. 1	Grain, Hot Madison, Remix, Re-Wool	Black, Bronzed, Chrome	4-6 weeks	5.70 kg	4.532	5.665
Fabric gr. 2	Asator, Barnum, Canvas, Fiord	Black, Bronzed, Chrome	4-6 weeks	5.70 kg	5.248	6.560
Fabric gr. 3	Clay, Hallingdal, Mylla, Steelcut Quartet, Steelcut Trio	Black, Bronzed, Chrome	4-6 weeks	5.70 kg	5.488	6.860
Fabric gr. 4	Acca, Beda, Cifrado, Ecriture, Moss, Vidar	Black, Bronzed, Chrome	4-6 weeks	5.70 kg	6.084	7.605
Fabric gr. 5	Gentle, Karakorum, Sisu	Black, Bronzed, Chrome	4-6 weeks	5.70 kg	7.516	9.395
Fabric gr. 6	Fuse, Tiger Mountain**	Black, Bronzed, Chrome	4-6 weeks	5.70 kg	8.232	10.290
Leather	Tailor Semi-aniline leather	Black, Bronzed, Chrome	4-6 weeks	5.70 kg	6.440	8.050
Leather	Noble Aniline leather	Black, Bronzed, Chrome	4-6 weeks	5.70 kg	6.800	8.500
Leather	Elmosoft Semi-aniline leather	Black, Bronzed, Chrome	4-6 weeks	5.70 kg	7.396	9.245
COM	Fabric	Black, Bronzed, Chrome	4-6 weeks	5.70 kg	4.532	5.665

Product no.	Product	Variant	Colli qty.	Lead time		
145307	Plastic gliders for Drawn, Elefy w. wood base, Rely w. tube (ex. stacking) & wood base, Muno, and Meantime Lounge Chairs, 4 pcs	Black		Stock item	88	110
145308	Felt gliders for Drawn, Elefy w. wood base, Rely w. tube (ex. stacking) & wood base, Muno, and Meantime Lounge Chairs, 4 pcs	Black		Stock item	88	110

** Please be aware that the placement of the pattern may vary from piece to piece due to optimal usage of fabric when cutting. Patterns may not align at seams or edges



EU Ecolabel certified, validating high standards of durability, circular design, and responsible use of chemicals. Please contact our sales team for a list of EU Ecolabel compliant combinations.

Material: Shell made from 100% recycled polypropylene with fiber glass, covered with HR foam with fabric or leather upholstery, steel tube base.

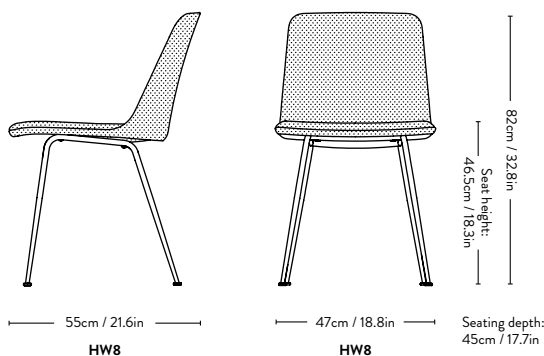
Fabric usage: 1.7 meters based on a 140cm roll.

Leather usage: 1.7 square meters based on a yield of 60% pr hide.

COM must be approved by &Tradition to ensure suitability for upholstery.

Plastic gliders installed as standard.

Felt gliders available upon request.



Rely HW9

Hee Welling

2020



Fabric gr.	Upholstery	Base	Lead time	Weight	PRICE EX. VAT (SEK)	PRICE INC. VAT (SEK)
Fabric gr. 1	Grain, Hot Madison, Remix, Re-Wool	Black, Bronzed, Chrome	4-6 weeks	6.80 kg	4.772	5.965
Fabric gr. 2	Asator, Barnum, Canvas, Fiord	Black, Bronzed, Chrome	4-6 weeks	6.80 kg	5.488	6.860
Fabric gr. 3	Clay, Hallingdal, Mylla, Steelcut Quartet, Steelcut Trio	Black, Bronzed, Chrome	4-6 weeks	6.80 kg	5.724	7.155
Fabric gr. 4	Acca, Beda, Cifrado, Ecriture, Moss, Vidar	Black, Bronzed, Chrome	4-6 weeks	6.80 kg	6.324	7.905
Fabric gr. 5	Gentle, Karakorum, Sisu	Black, Bronzed, Chrome	4-6 weeks	6.80 kg	7.756	9.695
Fabric gr. 6	Fuse, Tiger Mountain**	Black, Bronzed, Chrome	4-6 weeks	6.80 kg	8.472	10.590
Leather	Tailor Semi-aniline leather	Black, Bronzed, Chrome	4-6 weeks	6.80 kg	6.680	8.350
Leather	Noble Aniline leather	Black, Bronzed, Chrome	4-6 weeks	6.80 kg	7.040	8.800
Leather	Elmosoft Semi-aniline leather	Black, Bronzed, Chrome	4-6 weeks	6.80 kg	7.756	9.695
COM	Fabric	Black, Bronzed, Chrome	4-6 weeks	6.80 kg	4.772	5.965

Product no.	Product	Variant	Colli qty.	Lead time		
145307	Plastic gliders for Drawn, Elefy w. wood base, Rely w. tube (ex. stacking) & wood base, Muno, and Meantime Lounge Chairs, 4 pcs	Black		Stock item	88	110
145308	Felt gliders for Drawn, Elefy w. wood base, Rely w. tube (ex. stacking) & wood base, Muno, and Meantime Lounge Chairs, 4 pcs	Black		Stock item	88	110

** Please be aware that the placement of the pattern may vary from piece to piece due to optimal usage of fabric when cutting. Patterns may not align at seams or edges



EU Ecolabel certified, validating high standards of durability, circular design, and responsible use of chemicals. Please contact our sales team for a list of EU Ecolabel compliant combinations.



Made using FSC® certified wood, supporting responsible environmental, social and economical management of the world's forests. Visit www.fsc.org

Material: Shell made from 100% recycled polypropylene with fiber glass, covered with HR foam with fabric or leather upholstery, steel tube base.

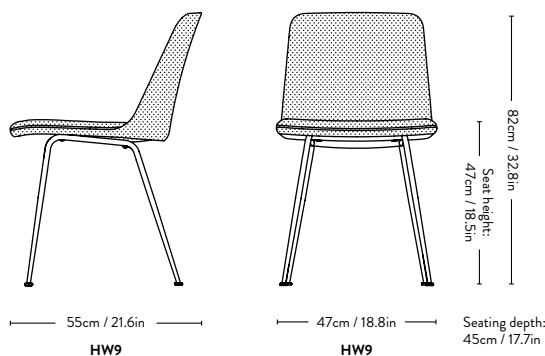
Fabric usage: 1.4 meters based on a 140cm roll.

Leather usage: 1.7 square meters based on a yield of 60% pr hide.

COM must be approved by &Tradition to ensure suitability for upholstery.

Plastic gliders installed as standard.

Felt gliders available upon request.



Rely ^{HW11} Hee Welling 2020

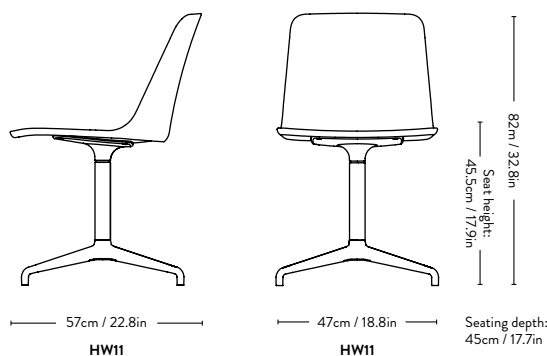


Shell Variant	Base	Lead time	Weight	PRICE EX. VAT (SEK)	PRICE INC. VAT (SEK)
Black	Black, Bronzed, Polished Aluminium	2-3 weeks	7.80 kg	3.100	3.875
White	Black, Bronzed, Polished Aluminium	2-3 weeks	7.80 kg	3.100	3.875
Beige Sand	Black, Bronzed, Polished Aluminium	2-3 weeks	7.80 kg	3.100	3.875
Red Brown	Black, Bronzed, Polished Aluminium	2-3 weeks	7.80 kg	3.100	3.875
Light Blue	Black, Bronzed, Polished Aluminium	2-3 weeks	7.80 kg	3.100	3.875
Stone Grey	Black, Bronzed, Polished Aluminium	2-3 weeks	7.80 kg	3.100	3.875
Vermilion Red*	Black, Bronzed, Polished Aluminium	2-3 weeks	7.80 kg	3.100	3.875
Bronze Green	Black, Bronzed, Polished Aluminium	2-3 weeks	7.80 kg	3.100	3.875
Soft Pink*	Black, Bronzed, Polished Aluminium	2-3 weeks	7.80 kg	3.100	3.875

Material: Shell made from 100% recycled polypropylene with fiber glass and an aluminium swivel base.

*Available while stock lasts

Plastic gliders installed as standard.
Felt gliders available upon request.



Rely ^{HW12} Hee Welling 2020



Fabric gr.	Shell	Seat Cushion Upholstery	Base	Lead time	Weight	PRICE EX. VAT (SEK)	PRICE INC. VAT (SEK)
Fabric gr. 1	Plastic	Grain, Hot Madison, Remix, Re-Wool	Black, Bronzed, Polished Aluminium	4-6 weeks	9.10 kg	4.652	5.815
Fabric gr. 2	Plastic	Asator, Barnum, Canvas, Fiord	Black, Bronzed, Polished Aluminium	4-6 weeks	9.10 kg	5.008	6.260
Fabric gr. 3	Plastic	Clay, Hallingdal, Mylla, Steelcut Quartet, Steelcut Trio	Black, Bronzed, Polished Aluminium	4-6 weeks	9.10 kg	5.128	6.410
Fabric gr. 4	Plastic	Acca, Beda, Cifrado, Ecriture, Moss, Vidar	Black, Bronzed, Polished Aluminium	4-6 weeks	9.10 kg	5.488	6.860
Fabric gr. 5	Plastic	Gentle, Karakorum, Sisu	Black, Bronzed, Polished Aluminium	4-6 weeks	9.10 kg	5.964	7.455
Fabric gr. 6	Plastic	Fuse, Tiger Mountain**	Black, Bronzed, Polished Aluminium	4-6 weeks	9.10 kg	6.560	8.200
Leather	Plastic	Tailor Semi-aniline leather	Black, Bronzed, Polished Aluminium	4-6 weeks	9.10 kg	5.128	6.410
Leather	Plastic	Noble Aniline leather	Black, Bronzed, Polished Aluminium	4-6 weeks	9.10 kg	5.488	6.860
Leather	Plastic	Elmosoft Semi-aniline leather	Black, Bronzed, Polished Aluminium	4-6 weeks	9.10 kg	5.844	7.305
COM	Plastic	Fabric	Black, Bronzed, Polished Aluminium	4-6 weeks	9.10 kg	4.652	5.815

** Please be aware that the placement of the pattern may vary from piece to piece due to optimal usage of fabric when cutting. Patterns may not align at seams or edges



Made using FSC® certified wood, supporting responsible environmental, social and economical management of the world's forests. Visit www.fsc.org

Plastic shell variants

Black, White, Beige Sand, Red Brown, Light Blue, Stone Grey, Vermilion Red*, Bronze Green, Soft Pink*

Material: Shell made from 100% recycled polypropylene with fiber glass, HR foam seat covered with fabric or leather upholstery, aluminium swivel base.

*Available while stock lasts

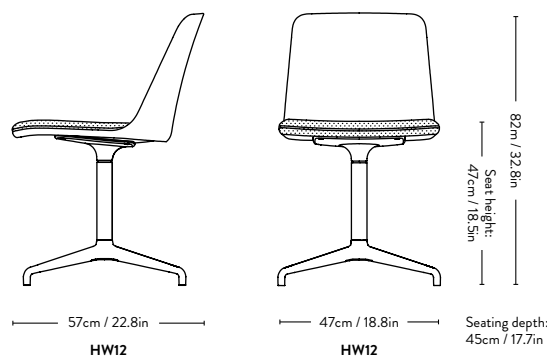
Fabric usage: 0.8 meter based on a 140 cm roll.

Leather usage: 1 square meter based on a yield of 60% pr hide.

COM must be approved by &Tradition to ensure suitability for upholstery.

Plastic gliders installed as standard.

Felt gliders available upon request.



Rely ^{HW13} Hee Welling 2020



Fabric gr.	Upholstery	Base	Lead time	Weight	PRICE EX. VAT (SEK)	PRICE INC. VAT (SEK)
Fabric gr. 1	Grain, Hot Madison, Remix, Re-Wool	Black, Bronzed, Polished Aluminium	4-6 weeks	8.30 kg	5.368	6.710
Fabric gr. 2	Asator, Barnum, Canvas, Fiord	Black, Bronzed, Polished Aluminium	4-6 weeks	8.30 kg	6.084	7.605
Fabric gr. 3	Clay, Hallingdal, Mylla, Steelcut Quartet, Steelcut Trio	Black, Bronzed, Polished Aluminium	4-6 weeks	8.30 kg	6.324	7.905
Fabric gr. 4	Acca, Beda, Cifrado, Ecriture, Moss, Vidar	Black, Bronzed, Polished Aluminium	4-6 weeks	8.30 kg	6.920	8.650
Fabric gr. 5	Gentle, Karakorum, Sisu	Black, Bronzed, Polished Aluminium	4-6 weeks	8.30 kg	8.352	10.440
Fabric gr. 6	Fuse, Tiger Mountain**	Black, Bronzed, Polished Aluminium	4-6 weeks	8.30 kg	9.188	11.485
Leather	Tailor Semi-aniline leather	Black, Bronzed, Polished Aluminium	4-6 weeks	8.30 kg	7.276	9.095
Leather	Noble Aniline leather	Black, Bronzed, Polished Aluminium	4-6 weeks	8.30 kg	7.636	9.545
Leather	Elmosoft Semi-aniline leather	Black, Bronzed, Polished Aluminium	4-6 weeks	8.30 kg	8.232	10.290
COM	Fabric	Black, Bronzed, Polished Aluminium	4-6 weeks	8.30 kg	5.368	6.710

** Please be aware that the placement of the pattern may vary from piece to piece due to optimal usage of fabric when cutting. Patterns may not align at seams or edges

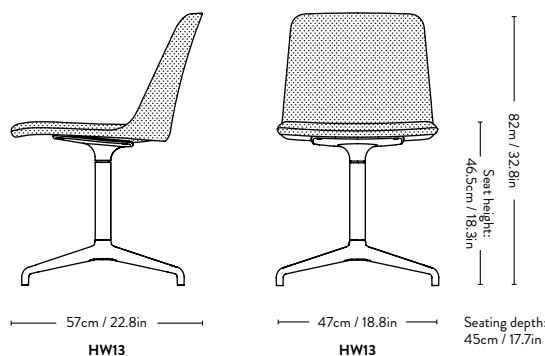
Material: Shell made from 100% recycled polypropylene with fiber glass, covered in HR foam with fabric or leather upholstery, aluminium swivel base.

Fabric usage: 1.7 meters based on a 140cm roll.

Leather usage: 1.7 square meters based on a yield of 60% pr hide.

COM must be approved by &Tradition to ensure suitability for upholstery.

Plastic gliders installed as standard.
Felt gliders available upon request.



Rely HW14

Hee Welling

2020



Fabric gr.	Upholstery	Base	Lead time	Weight	PRICE EX. VAT (SEK)	PRICE INC. VAT (SEK)
Fabric gr. 1	Grain, Hot Madison, Remix, Re-Wool	Black, Bronzed, Polished Aluminium	4-6 weeks	9.40 kg	5.604	7.005
Fabric gr. 2	Asator, Barnum, Canvas, Fiord	Black, Bronzed, Polished Aluminium	4-6 weeks	9.40 kg	6.324	7.905
Fabric gr. 3	Clay, Hallingdal, Mylla, Steelcut Quartet, Steelcut Trio	Black, Bronzed, Polished Aluminium	4-6 weeks	9.40 kg	6.560	8.200
Fabric gr. 4	Acca, Beda, Cifrado, Ecriture, Moss, Vidar	Black, Bronzed, Polished Aluminium	4-6 weeks	9.40 kg	7.160	8.950
Fabric gr. 5	Gentle, Karakorum, Sisu	Black, Bronzed, Polished Aluminium	4-6 weeks	9.40 kg	8.592	10.740
Fabric gr. 6	Fuse, Tiger Mountain**	Black, Bronzed, Polished Aluminium	4-6 weeks	9.40 kg	9.428	11.785
Leather	Tailor Semi-aniline leather	Black, Bronzed, Polished Aluminium	4-6 weeks	9.40 kg	7.516	9.395
Leather	Noble Aniline leather	Black, Bronzed, Polished Aluminium	4-6 weeks	9.40 kg	7.876	9.845
Leather	Elmosoft Semi-aniline leather	Black, Bronzed, Polished Aluminium	4-6 weeks	9.40 kg	8.712	10.890
COM	Fabric	Black, Bronzed, Polished Aluminium	4-6 weeks	9.40 kg	5.604	7.005

** Please be aware that the placement of the pattern may vary from piece to piece due to optimal usage of fabric when cutting. Patterns may not align at seams or edges



Made using FSC® certified wood, supporting responsible environmental, social and economical management of the world's forests. Visit www.fsc.org

Material: Shell made from 100% recycled polypropylene with fiber glass, covered in HR foam with fabric or leather upholstery, aluminium swivel base.

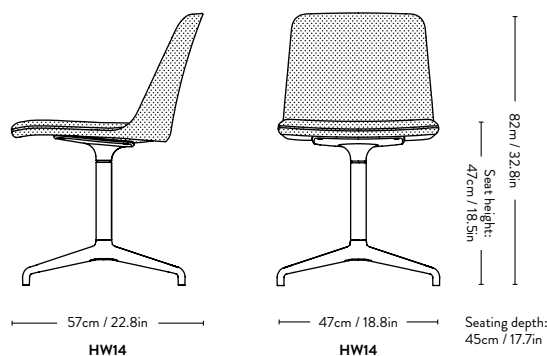
Fabric usage: 1.4 meters based on a 140cm roll.

Leather usage: 1.7 square meters based on a yield of 60% pr hide.

COM must be approved by &Tradition to ensure suitability for upholstery.

Plastic gliders installed as standard.

Felt gliders available upon request.



Rely ^{HW16} Hee Welling 2020

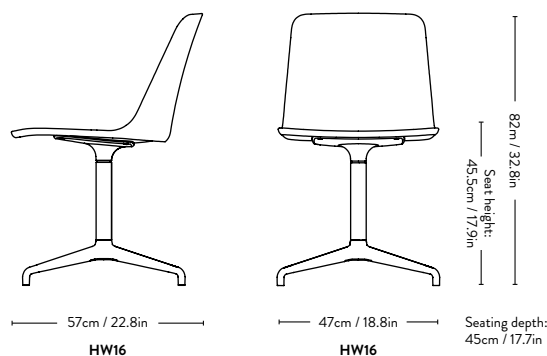


Shell Variant	Base	Lead time	Weight	PRICE EX. VAT (SEK)	PRICE INC. VAT (SEK)
Black	Black, Bronzed, Polished Aluminium	2-3 weeks	7.80 kg	3.576	4.470
White	Black, Bronzed, Polished Aluminium	2-3 weeks	7.80 kg	3.576	4.470
Beige Sand	Black, Bronzed, Polished Aluminium	2-3 weeks	7.80 kg	3.576	4.470
Red Brown	Black, Bronzed, Polished Aluminium	2-3 weeks	7.80 kg	3.576	4.470
Light Blue	Black, Bronzed, Polished Aluminium	2-3 weeks	7.80 kg	3.576	4.470
Stone Grey	Black, Bronzed, Polished Aluminium	2-3 weeks	7.80 kg	3.576	4.470
Vermilion Red*	Black, Bronzed, Polished Aluminium	2-3 weeks	7.80 kg	3.576	4.470
Bronze Green	Black, Bronzed, Polished Aluminium	2-3 weeks	7.80 kg	3.576	4.470
Soft Pink*	Black, Bronzed, Polished Aluminium	2-3 weeks	7.80 kg	3.576	4.470

Material: Shell made from 100% recycled polypropylene with fiber glass, aluminium swivel base with return.

*Available while stock lasts

Plastic gliders installed as standard.
Felt gliders available upon request.



Rely ^{HW17} Hee Welling 2020



Fabric gr.	Shell	Seat Cushion Upholstery	Base	Lead time	Weight	PRICE EX. VAT (SEK)	PRICE INC. VAT (SEK)
Fabric gr. 1	Plastic	Grain, Hot Madison, Remix, Re-Wool	Black, Bronzed, Polished Aluminium	4-6 weeks	9.10 kg	5.128	6.410
Fabric gr. 2	Plastic	Asator, Bårnum, Canvas, Fiord	Black, Bronzed, Polished Aluminium	4-6 weeks	9.10 kg	5.488	6.860
Fabric gr. 3	Plastic	Clay, Hallingdal, Mylla, Steelcut Quartet, Steelcut Trio	Black, Bronzed, Polished Aluminium	4-6 weeks	9.10 kg	5.604	7.005
Fabric gr. 4	Plastic	Acca, Beda, Cifrado, Ecriture, Moss, Vidar	Black, Bronzed, Polished Aluminium	4-6 weeks	9.10 kg	5.964	7.455
Fabric gr. 5	Plastic	Gentle, Karakorum, Sisu	Black, Bronzed, Polished Aluminium	4-6 weeks	9.10 kg	6.440	8.050
Fabric gr. 6	Plastic	Fuse, Tiger Mountain**	Black, Bronzed, Polished Aluminium	4-6 weeks	9.10 kg	7.040	8.800
Leather	Plastic	Tailor Semi-aniline leather	Black, Bronzed, Polished Aluminium	4-6 weeks	9.10 kg	5.604	7.005
Leather	Plastic	Noble Aniline leather	Black, Bronzed, Polished Aluminium	4-6 weeks	9.10 kg	5.964	7.455
Leather	Plastic	Elmosoft Semi-aniline leather	Black, Bronzed, Polished Aluminium	4-6 weeks	9.10 kg	6.324	7.905
COM	Plastic	Fabric	Black, Bronzed, Polished Aluminium	4-6 weeks	9.10 kg	5.128	6.410

** Please be aware that the placement of the pattern may vary from piece to piece due to optimal usage of fabric when cutting. Patterns may not align at seams or edges



Made using FSC® certified wood, supporting responsible environmental, social and economical management of the world's forests. Visit www.fsc.org

Plastic shell variants

Black, White, Beige Sand, Red Brown, Light Blue, Stone Grey, Vermilion Red*, Bronze Green, Soft Pink*

Material: Shell made from 100% recycled polypropylene with fiber glass, seat covered in HR foam with fabric or leather upholstery, aluminium swivel base with return function.

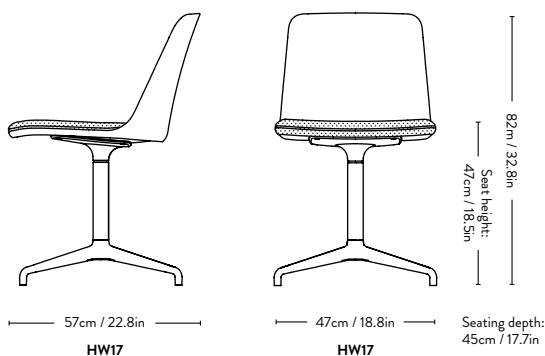
*Available while stock lasts

Fabric usage: 0.8 meter based on a 140 cm roll.

Leather usage: 1 square meter based on a yield of 60% pr hide.

COM must be approved by &Tradition to ensure suitability for upholstery.

Plastic gliders installed as standard.
Felt gliders available upon request.



Rely HW18

Hee Welling

2020



Fabric gr.	Upholstery	Base	Lead time	Weight	PRICE EX. VAT (SEK)	PRICE INC. VAT (SEK)
Fabric gr. 1	Grain, Hot Madison, Remix, Re-Wool	Black, Bronzed, Polished Aluminium	4-6 weeks	8.30 kg	5.844	7.305
Fabric gr. 2	Asator, Barnum, Canvas, Fiord	Black, Bronzed, Polished Aluminium	4-6 weeks	8.30 kg	6.560	8.200
Fabric gr. 3	Clay, Hallingdal, Mylla, Steelcut Quartet, Steelcut Trio	Black, Bronzed, Polished Aluminium	4-6 weeks	8.30 kg	6.800	8.500
Fabric gr. 4	Acca, Beda, Cifrado, Ecriture, Moss, Vidar	Black, Bronzed, Polished Aluminium	4-6 weeks	8.30 kg	7.396	9.245
Fabric gr. 5	Gentle, Karakorum, Sisu	Black, Bronzed, Polished Aluminium	4-6 weeks	8.30 kg	8.828	11.035
Fabric gr. 6	Fuse, Tiger Mountain**	Black, Bronzed, Polished Aluminium	4-6 weeks	8.30 kg	9.664	12.080
Leather	Tailor Semi-aniline leather	Black, Bronzed, Polished Aluminium	4-6 weeks	8.30 kg	7.756	9.695
Leather	Noble Aniline leather	Black, Bronzed, Polished Aluminium	4-6 weeks	8.30 kg	8.112	10.140
Leather	Elmosoft Semi-aniline leather	Black, Bronzed, Polished Aluminium	4-6 weeks	8.30 kg	8.592	10.740
COM	Fabric	Black, Bronzed, Polished Aluminium	4-6 weeks	8.30 kg	5.844	7.305

** Please be aware that the placement of the pattern may vary from piece to piece due to optimal usage of fabric when cutting. Patterns may not align at seams or edges

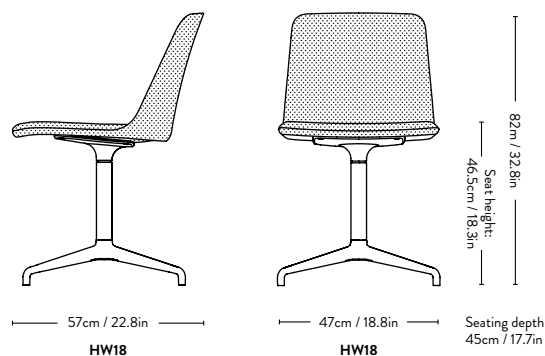
Material: Shell made from 100% recycled polypropylene with fiber glass, covered in HR foam with fabric or leather upholstery, aluminium swivel base with return function.

Fabric usage: 1.7 meters based on a 140cm roll.

Leather usage: 1.7 square meters based on a yield of 60% pr hide.

COM must be approved by &Tradition to ensure suitability for upholstery.

Plastic gliders installed as standard.
Felt gliders available upon request.



Rely ^{HW19} Hee Welling 2020



Fabric gr.	Upholstery	Base	Lead time	Weight	PRICE EX. VAT (SEK)	PRICE INC. VAT (SEK)
Fabric gr. 1	Grain, Hot Madison, Remix, Re-Wool	Black, Bronzed, Polished Aluminium	4-6 weeks	9.40 kg	6.084	7.605
Fabric gr. 2	Asator, Barnum, Canvas, Fiord	Black, Bronzed, Polished Aluminium	4-6 weeks	9.40 kg	6.800	8.500
Fabric gr. 3	Clay, Hallingdal, Mylla, Steelcut Quartet, Steelcut Trio	Black, Bronzed, Polished Aluminium	4-6 weeks	9.40 kg	7.040	8.800
Fabric gr. 4	Acca, Beda, Cifrado, Ecriture, Moss, Vidar	Black, Bronzed, Polished Aluminium	4-6 weeks	9.40 kg	7.636	9.545
Fabric gr. 5	Gentle, Karakorum, Sisu	Black, Bronzed, Polished Aluminium	4-6 weeks	9.40 kg	9.068	11.335
Fabric gr. 6	Fuse, Tiger Mountain**	Black, Bronzed, Polished Aluminium	4-6 weeks	9.40 kg	10.024	12.530
Leather	Tailor Semi-aniline leather	Black, Bronzed, Polished Aluminium	4-6 weeks	9.40 kg	7.996	9.995
Leather	Noble Aniline leather	Black, Bronzed, Polished Aluminium	4-6 weeks	9.40 kg	8.352	10.440
Leather	Elmosoft Semi-aniline leather	Black, Bronzed, Polished Aluminium	4-6 weeks	9.40 kg	9.188	11.485
COM	Fabric	Black, Bronzed, Polished Aluminium	4-6 weeks	9.40 kg	6.084	7.605

** Please be aware that the placement of the pattern may vary from piece to piece due to optimal usage of fabric when cutting. Patterns may not align at seams or edges



Made using FSC® certified wood, supporting responsible environmental, social and economical management of the world's forests. Visit www.fsc.org

Material: Shell made from 100% recycled polypropylene with fiber glass, covered in HR foam with fabric or leather upholstery, aluminium swivel base with return function.

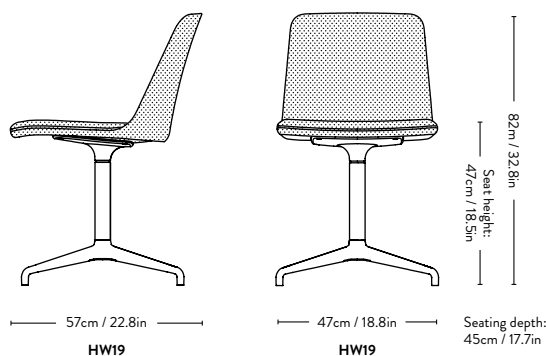
Fabric usage: 1.4 meters based on a 140cm roll.

Leather usage: 1.7 square meters based on a yield of 60% pr hide.

COM must be approved by &Tradition to ensure suitability for upholstery.

Plastic gliders installed as standard.

Felt gliders available upon request.



Rely ^{HW21} Hee Welling 2020

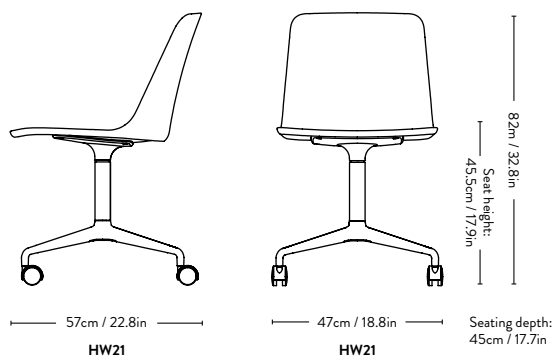


Shell Variant	Base	Lead time	Weight	PRICE EX. VAT (SEK)	PRICE INC. VAT (SEK)
Black	Black, Bronzed, Polished Aluminium	2-3 weeks	7.80 kg	3.576	4.470
White	Black, Bronzed, Polished Aluminium	2-3 weeks	7.80 kg	3.576	4.470
Beige Sand	Black, Bronzed, Polished Aluminium	2-3 weeks	7.80 kg	3.576	4.470
Red Brown	Black, Bronzed, Polished Aluminium	2-3 weeks	7.80 kg	3.576	4.470
Light Blue	Black, Bronzed, Polished Aluminium	2-3 weeks	7.80 kg	3.576	4.470
Stone Grey	Black, Bronzed, Polished Aluminium	2-3 weeks	7.80 kg	3.576	4.470
Vermilion Red*	Black, Bronzed, Polished Aluminium	2-3 weeks	7.80 kg	3.576	4.470
Bronze Green	Black, Bronzed, Polished Aluminium	2-3 weeks	7.80 kg	3.576	4.470
Soft Pink*	Black, Bronzed, Polished Aluminium	2-3 weeks	7.80 kg	3.576	4.470

Material: Shell made from 100% recycled polypropylene with fiber glass, aluminium swivel base with castors.

*Available while stock lasts

Castors suitable for all floor types.



Rely HW22

Hee Welling

2020



Fabric gr.	Shell	Seat Cushion Upholstery	Base	Lead time	Weight	PRICE EX. VAT (SEK)	PRICE INC. VAT (SEK)
Fabric gr. 1	Plastic	Grain, Hot Madison, Remix, Re-Wool	Black, Bronzed, Polished Aluminium	4-6 weeks	9.10 kg	5.128	6.410
Fabric gr. 2	Plastic	Asator, Barnum, Canvas, Fiord	Black, Bronzed, Polished Aluminium	4-6 weeks	9.10 kg	5.488	6.860
Fabric gr. 3	Plastic	Clay, Hallingdal, Mylla, Steelcut Quartet, Steelcut Trio	Black, Bronzed, Polished Aluminium	4-6 weeks	9.10 kg	5.604	7.005
Fabric gr. 4	Plastic	Acca, Beda, Cifrado, Ecriture, Moss, Vidar	Black, Bronzed, Polished Aluminium	4-6 weeks	9.10 kg	5.844	7.305
Fabric gr. 5	Plastic	Gentle, Karakorum, Sisu	Black, Bronzed, Polished Aluminium	4-6 weeks	9.10 kg	6.440	8.050
Fabric gr. 6	Plastic	Fuse, Tiger Mountain**	Black, Bronzed, Polished Aluminium	4-6 weeks	9.10 kg	7.040	8.800
Leather	Plastic	Tailor Semi-aniline leather	Black, Bronzed, Polished Aluminium	4-6 weeks	9.10 kg	5.724	7.155
Leather	Plastic	Noble Aniline leather	Black, Bronzed, Polished Aluminium	4-6 weeks	9.10 kg	6.084	7.605
Leather	Plastic	Elmosoft Semi-aniline leather	Black, Bronzed, Polished Aluminium	4-6 weeks	9.10 kg	6.440	8.050
COM	Plastic	Fabric	Black, Bronzed, Polished Aluminium	4-6 weeks	9.10 kg	5.128	6.410

** Please be aware that the placement of the pattern may vary from piece to piece due to optimal usage of fabric when cutting. Patterns may not align at seams or edges



Made using FSC® certified wood, supporting responsible environmental, social and economical management of the world's forests. Visit www.fsc.org

Plastic shell variants

Black, White, Beige Sand, Red Brown, Light Blue, Stone Grey, Vermilion Red*, Bronze Green, Soft Pink*

Material: Shell made from 100% recycled polypropylene with fiber glass, seat covered in HR foam with fabric or leather upholstery, aluminium swivel base with castors.

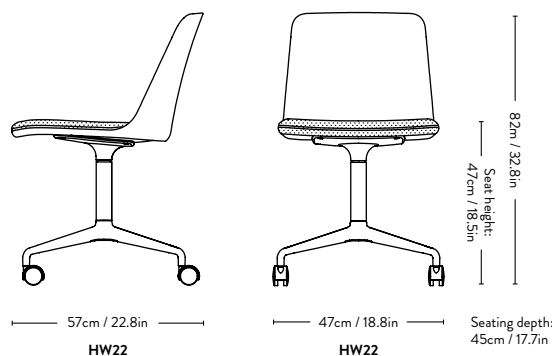
*Available while stock lasts

Fabric usage: 0.8 meter based on a 140 cm roll.

Leather usage: 1 square meter based on a yield of 60% pr hide.

COM must be approved by &Tradition to ensure suitability for upholstery.

Castors suitable for all floor types.



Rely ^{HW23} Hee Welling 2020



Fabric gr.	Upholstery	Base	Lead time	Weight	PRICE EX. VAT (SEK)	PRICE INC. VAT (SEK)
Fabric gr. 1	Grain, Hot Madison, Remix, Re-Wool	Black, Bronzed, Polished Aluminium	4-6 weeks	8.30 kg	5.844	7.305
Fabric gr. 2	Asator, Barnum, Canvas, Fiord	Black, Bronzed, Polished Aluminium	4-6 weeks	8.30 kg	6.560	8.200
Fabric gr. 3	Clay, Hallingdal, Mylla, Steelcut Quartet, Steelcut Trio	Black, Bronzed, Polished Aluminium	4-6 weeks	8.30 kg	6.800	8.500
Fabric gr. 4	Acca, Beda, Cifrado, Ecriture, Moss, Vidar	Black, Bronzed, Polished Aluminium	4-6 weeks	8.30 kg	7.396	9.245
Fabric gr. 5	Gentle, Karakorum, Sisu	Black, Bronzed, Polished Aluminium	4-6 weeks	8.30 kg	8.828	11.035
Fabric gr. 6	Fuse, Tiger Mountain**	Black, Bronzed, Polished Aluminium	4-6 weeks	8.30 kg	9.664	12.080
Leather	Tailor Semi-aniline leather	Black, Bronzed, Polished Aluminium	4-6 weeks	8.30 kg	7.756	9.695
Leather	Noble Aniline leather	Black, Bronzed, Polished Aluminium	4-6 weeks	8.30 kg	8.112	10.140
Leather	Elmosoft Semi-aniline leather	Black, Bronzed, Polished Aluminium	4-6 weeks	8.30 kg	8.712	10.890
COM	Fabric	Black, Bronzed, Polished Aluminium	4-6 weeks	8.30 kg	5.844	7.305

** Please be aware that the placement of the pattern may vary from piece to piece due to optimal usage of fabric when cutting. Patterns may not align at seams or edges

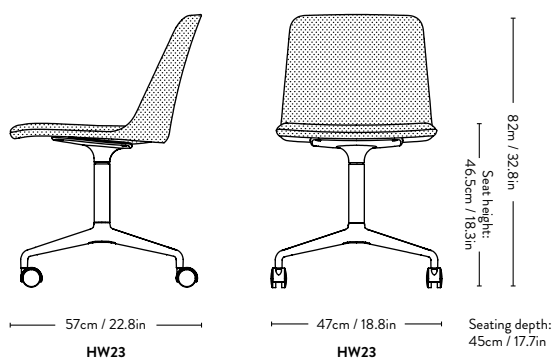
Material: Shell made from 100% recycled polypropylene with fiber glass, covered in HR foam with fabric or leather upholstery, aluminium swivel base with castors.

Fabric usage: 1.7 meters based on a 140cm roll.

Leather usage: 1.7 square meters based on a yield of 60% pr hide.

COM must be approved by &Tradition to ensure suitability for upholstery.

Castors suitable for all floor types.



Rely HW24

Hee Welling

2020



Fabric gr.	Upholstery	Base	Lead time	Weight	PRICE EX. VAT (SEK)	PRICE INC. VAT (SEK)
Fabric gr. 1	Grain, Hot Madison, Remix, Re-Wool	Black, Bronzed, Polished Aluminium	4-6 weeks	9.40 kg	6.084	7.605
Fabric gr. 2	Asator, Barnum, Canvas, Fiord	Black, Bronzed, Polished Aluminium	4-6 weeks	9.40 kg	6.800	8.500
Fabric gr. 3	Clay, Hallingdal, Mylla, Steelcut Quartet, Steelcut Trio	Black, Bronzed, Polished Aluminium	4-6 weeks	9.40 kg	7.040	8.800
Fabric gr. 4	Acca, Beda, Cifrado, Ecriture, Moss, Vidar	Black, Bronzed, Polished Aluminium	4-6 weeks	9.40 kg	7.636	9.545
Fabric gr. 5	Gentle, Karakorum, Sisu	Black, Bronzed, Polished Aluminium	4-6 weeks	9.40 kg	9.068	11.335
Fabric gr. 6	Fuse, Tiger Mountain**	Black, Bronzed, Polished Aluminium	4-6 weeks	9.40 kg	10.024	12.530
Leather	Tailor Semi-aniline leather	Black, Bronzed, Polished Aluminium	4-6 weeks	9.40 kg	7.996	9.995
Leather	Noble Aniline leather	Black, Bronzed, Polished Aluminium	4-6 weeks	9.40 kg	8.352	10.440
Leather	Elmosoft Semi-aniline leather	Black, Bronzed, Polished Aluminium	4-6 weeks	9.40 kg	9.188	11.485
COM	Fabric	Black, Bronzed, Polished Aluminium	4-6 weeks	9.40 kg	6.084	7.605

** Please be aware that the placement of the pattern may vary from piece to piece due to optimal usage of fabric when cutting. Patterns may not align at seams or edges



Made using FSC® certified wood, supporting responsible environmental, social and economical management of the world's forests. Visit www.fsc.org

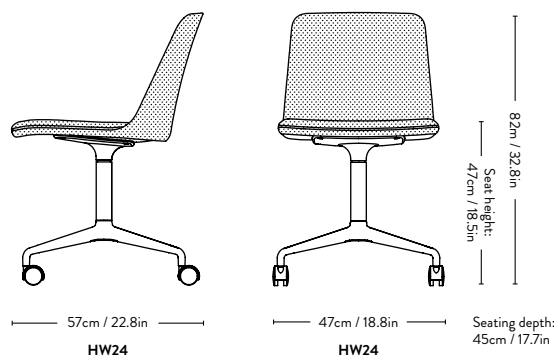
Material: Shell made from 100% recycled polypropylene with fiber glass, covered in HR foam with fabric or leather upholstery, aluminium swivel base with castors.

Fabric usage: 1.4 meters based on a 140cm roll.

Leather usage: 1.7 square meters based on a yield of 60% pr hide.

COM must be approved by &Tradition to ensure suitability for upholstery.

Castors suitable for all floor types.



Rely HW26 Hee Welling 2020



Product no.	Shell Variant	Base	Lead time	Weight	PRICE EX. VAT (SEK)	PRICE INC. VAT (SEK)
HW26	Black	Chrome, Black	2-3 weeks	5.20 kg	2.264	2.830
HW26	White	Chrome, Black	2-3 weeks	5.20 kg	2.264	2.830
HW26	Beige Sand	Chrome, Black	2-3 weeks	5.20 kg	2.264	2.830
HW26	Red Brown	Chrome, Black	2-3 weeks	5.20 kg	2.264	2.830
HW26	Light Blue	Chrome, Black	2-3 weeks	5.20 kg	2.264	2.830
HW26	Stone Grey	Chrome, Black	2-3 weeks	5.20 kg	2.264	2.830
HW26	Vermilion Red*	Chrome, Black	2-3 weeks	5.20 kg	2.264	2.830
HW26	Bronze Green	Chrome, Black	2-3 weeks	5.20 kg	2.264	2.830
HW26	Soft Pink*	Chrome, Black	2-3 weeks	5.20 kg	2.264	2.830
134564	Rely stacking trolley		6-8 weeks		5.368	6.710



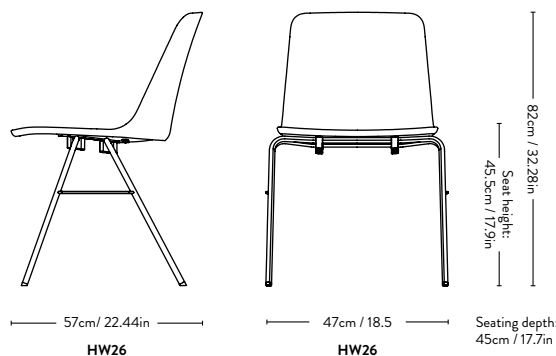
EU Ecolabel certified, validating high standards of durability, circular design, and responsible use of chemicals. Please contact our sales team for a list of EU Ecolabel compliant combinations.

Material: Shell made from 100% recycled polypropylene with fiber glass and a steel tube base.

*Available while stock lasts

Plastic gliders installed as standard.
Felt gliders available upon request.

Stacking quantity: 12 pcs (Chrome only).



Rely ^{HW27} Hee Welling 2020



Product no.	Shell Variant	Base	Lead time	Weight	PRICE EX. VAT (SEK)	PRICE INC. VAT (SEK)
HW27	Black	Chrome	2-3 weeks	5.20 kg	2.384	2.980
HW27	White	Chrome	2-3 weeks	5.20 kg	2.384	2.980
HW27	Beige Sand	Chrome	2-3 weeks	5.20 kg	2.384	2.980
HW27	Red Brown	Chrome	2-3 weeks	5.20 kg	2.384	2.980
HW27	Light Blue	Chrome	2-3 weeks	5.20 kg	2.384	2.980
HW27	Stone Grey	Chrome	2-3 weeks	5.20 kg	2.384	2.980
HW27	Vermilion Red*	Chrome	2-3 weeks	5.20 kg	2.384	2.980
HW27	Bronze Green	Chrome	2-3 weeks	5.20 kg	2.384	2.980
HW27	Soft Pink*	Chrome	2-3 weeks	5.20 kg	2.384	2.980
134564	Rely stacking trolley		6-8 weeks		5.368	6.710



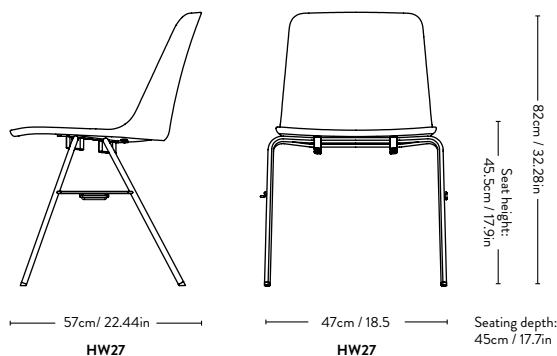
EU Ecolabel certified, validating high standards of durability, circular design, and responsible use of chemicals. Please contact our sales team for a list of EU Ecolabel compliant combinations.

Material: Shell made from 100% recycled polypropylene with fiber glass and a steel tube base.

*Available while stock lasts

Plastic gliders installed as standard.
Felt gliders available upon request.

Stacking quantity: 12 pcs



Rely HW65

Hee Welling

2023



Product no.	Shell Variant	Base	Colli qty.	Lead time	Weight	PRICE EX. VAT (SEK)	PRICE INC. VAT (SEK)
HW65	Black	Black, Chrome	1 pc	2-3 weeks	5.50 kg	2.264	2.830
HW65	White	Black, Chrome	1 pc	2-3 weeks	5.50 kg	2.264	2.830
HW65	Beige Sand	Black, Chrome	1 pc	2-3 weeks	5.50 kg	2.264	2.830
HW65	Red Brown	Black, Chrome	1 pc	2-3 weeks	5.50 kg	2.264	2.830
HW65	Light Blue	Black, Chrome	1 pc	2-3 weeks	5.50 kg	2.264	2.830
HW65	Stone Grey	Black, Chrome	1 pc	2-3 weeks	5.50 kg	2.264	2.830
HW65	Vermilion Red*	Black, Chrome	1 pc	2-3 weeks	5.50 kg	2.264	2.830
HW65	Bronze Green	Black, Chrome	1 pc	2-3 weeks	5.50 kg	2.264	2.830
HW65	Soft Pink*	Black, Chrome	1 pc	2-3 weeks	5.50 kg	2.264	2.830
142018	Rely stacking trolley			6-8 weeks		5.368	6.710
	Linking device (must be specified with the order)		1 pc	6-8 weeks	0.40 kg		



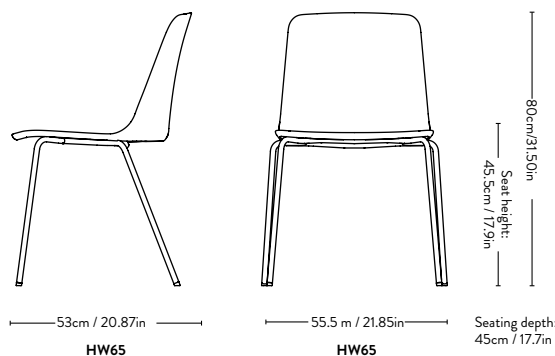
EU Ecolabel certified, validating high standards of durability, circular design, and responsible use of chemicals. Please contact our sales team for a list of EU Ecolabel compliant combinations.

Material: Shell made from 100% recycled polypropylene with 15% fiber glass

*Available while stock lasts

Plastic gliders installed as standard.
Felt gliders available upon request.

Stacking quantity: 12 pcs



Rely HW66

Hee Welling

2023



Fabric gr.	Shell	Seat Cushion Upholstery	Base	Lead time	Weight	PRICE EX. VAT (SEK)	PRICE INC. VAT (SEK)
Fabric gr. 1	Plastic	Grain, Hot Madison, Remix, Re-Wool	Black, Chrome	4-6 weeks	6.50 kg	3.576	4.470
Fabric gr. 2	Plastic	Barnum, Canvas, Fiord	Black, Chrome	4-6 weeks	6.50 kg	3.936	4.920
Fabric gr. 3	Plastic	Clay, Hallingdal, Mylla, Steelcut Quartet, Steelcut Trio	Black, Chrome	4-6 weeks	6.50 kg	4.052	5.065
Fabric gr. 4	Plastic	Acca, Beda, Cifrado, Ecriture, Moss, Vidar	Black, Chrome	4-6 weeks	6.50 kg	4.412	5.515
Fabric gr. 5	Plastic	Karakorum, Sisu	Black, Chrome	4-6 weeks	6.50 kg	4.888	6.110
Fabric gr. 6	Plastic	Fuse	Black, Chrome	4-6 weeks	6.50 kg	5.488	6.860
Leather	Plastic	Tailor Semi-aniline leather	Black, Chrome	4-6 weeks	6.50 kg	3.936	4.920
Leather	Plastic	Noble Aniline leather	Black, Chrome	4-6 weeks	6.50 kg	4.412	5.515
Leather	Plastic	Elmosoft Semi-aniline leather	Black, Chrome	4-6 weeks	6.50 kg	4.652	5.815
COM	Plastic	Fabric	Black, Chrome	4-6 weeks	6.50 kg	3.576	4.470
142019	Rely stacking trolley			6-8 weeks		5.368	6.710



EU Ecolabel certified, validating high standards of durability, circular design, and responsible use of chemicals.

Please contact our sales team for a list of EU Ecolabel compliant combinations.

EU Ecolabel | DK/049/019



Made using FSC® certified wood, supporting responsible environmental, social and economical management of the world's forests. Visit www.fsc.org

Plastic shell variants

Black, White, Beige Sand, Red Brown, Light Blue, Stone Grey, Vermilion Red*, Bronze Green, Soft Pink*

Material: Shell made from 100% recycled polypropylene with fiber glass, HR foam seat covered with fabric or leather upholstery, aluminium swivel base.

*Available while stock lasts

Fabric usage: 0.8 meter based on a 140 cm roll.

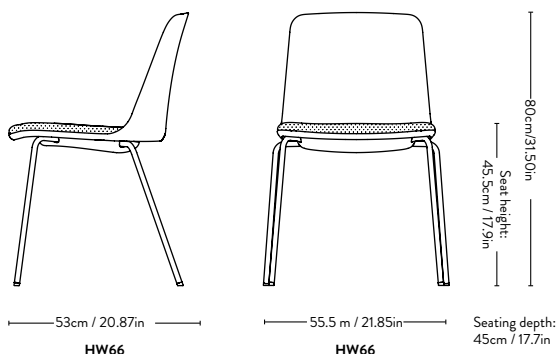
Leather usage: 1 square meter based on a yield of 60% pr hide.

COM must be approved by &Tradition to ensure suitability for upholstery.

Plastic gliders installed as standard.

Felt gliders available upon request.

Stacking quantity: 8 pcs



Rely ^{HW67} Hee Welling 2023



Fabric gr.	Upholstery	Base	Lead time	Weight	PRICE EX. VAT (SEK)	PRICE INC. VAT (SEK)
Fabric gr. 1	Grain, Hot Madison, Remix, Re-Wool	Black, Chrome	4-6 weeks	6.20 kg	4.412	5.515
Fabric gr. 2	Barnum, Canvas, Fiord	Black, Chrome	4-6 weeks	6.20 kg	5.128	6.410
Fabric gr. 3	Clay, Hallingdal, Mylla, Steelcut Quartet, Steelcut Trio	Black, Chrome	4-6 weeks	6.20 kg	5.368	6.710
Fabric gr. 4	Acca, Beda, Cifrado, Ecriture, Moss, Vidar	Black, Chrome	4-6 weeks	6.20 kg	5.964	7.455
Fabric gr. 5	Karakorum, Sisu	Black, Chrome	4-6 weeks	6.20 kg	7.396	9.245
Fabric gr. 6	Fuse	Black, Chrome	4-6 weeks	6.20 kg	8.352	10.440
Leather	Tailor Semi-aniline leather	Black, Chrome	4-6 weeks	6.20 kg	6.440	8.050
Leather	Noble Aniline leather	Black, Chrome	4-6 weeks	6.20 kg	6.800	8.500
Leather	Elmosoft Semi-aniline leather	Black, Chrome	4-6 weeks	6.20 kg	7.396	9.245
COM	Fabric	Black, Chrome	4-6 weeks	6.20 kg	4.412	5.515
140219	Rely stacking trolley		6-8 weeks		5.368	6.710



EU Ecolabel certified, validating high standards of durability, circular design, and responsible use of chemicals. Please contact our sales team for a list of EU Ecolabel compliant combinations.

Material: Shell made from 100% recycled polypropylene with fiber glass, HR foam seat covered with fabric or leather upholstery

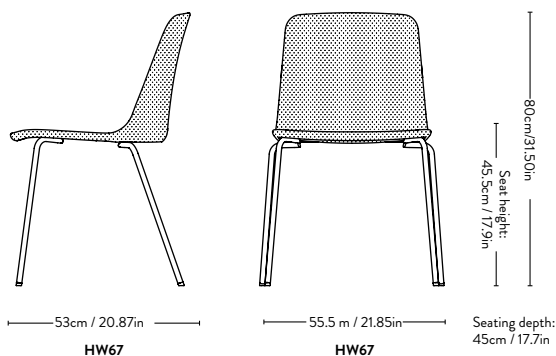
Fabric usage: 1.7 meters based on a 140cm roll.

Leather usage: 1.7 square meters based on a yield of 60% pr hide.

COM must be approved by &Tradition to ensure suitability for upholstery.

Plastic gliders installed as standard.
Felt gliders available upon request.

Stacking quantity: 8 pcs



Rely HW68

Hee Welling

2023



Fabric gr.	Upholstery	Base	Lead time	Weight	PRICE EX. VAT (SEK)	PRICE INC. VAT (SEK)
Fabric gr. 1	Grain, Hot Madison, Remix, Re-Wool	Black, Chrome	4-6 weeks	7.30 kg	4.652	5.815
Fabric gr. 2	Barnum, Canvas, Fiord	Black, Chrome	4-6 weeks	7.30 kg	5.368	6.710
Fabric gr. 3	Clay, Hallingdal, Mylla, Steelcut Quartet, Steelcut Trio	Black, Chrome	4-6 weeks	7.30 kg	5.604	7.005
Fabric gr. 4	Acca, Beda, Cifrado, Ecriture, Moss, Vidar	Black, Chrome	4-6 weeks	7.30 kg	6.204	7.755
Fabric gr. 5	Karakorum, Sisu	Black, Chrome	4-6 weeks	7.30 kg	7.636	9.545
Fabric gr. 6	Fuse	Black, Chrome	4-6 weeks	7.30 kg	8.712	10.890
Leather	Tailor Semi-aniline leather	Black, Chrome	4-6 weeks	7.30 kg	6.680	8.350
Leather	Noble Aniline leather	Black, Chrome	4-6 weeks	7.30 kg	7.040	8.800
Leather	Elmosoft Semi-aniline leather	Black, Chrome	4-6 weeks	7.30 kg	7.756	9.695
COM	Fabric	Black, Chrome	4-6 weeks	7.30 kg	4.652	5.815
140219	Rely stacking trolley		6-8 weeks		5.368	6.710



EU Ecolabel certified, validating high standards of durability, circular design, and responsible use of chemicals. Please contact our sales team for a list of EU Ecolabel compliant combinations.



Made using FSC® certified wood, supporting responsible environmental, social and economical management of the world's forests. Visit www.fsc.org

Material: Shell made from 100% recycled polypropylene with fiber glass, covered with HR foam with fabric or leather upholstery, steel tube base.

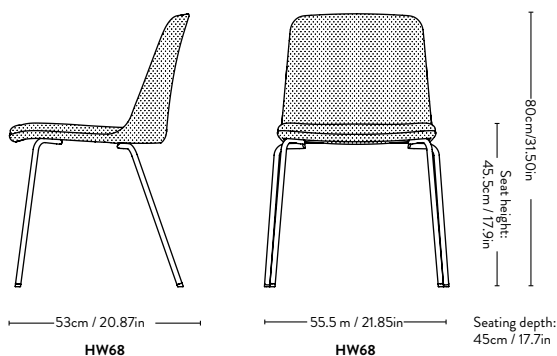
Fabric usage: 1.4 meters based on a 140cm roll.

Leather usage: 1.7 square meters based on a yield of 60% pr hide.

Plastic gliders installed as standard.
Felt gliders available upon request.

COM must be approved by &Tradition to ensure suitability for upholstery.

Stacking quantity: 8 pcs



Rely ^{HW28} Hee Welling 2020



Shell Variant	Base	Lead time	Weight	PRICE EX. VAT (SEK)	PRICE INC. VAT (SEK)
Black	Black, Polished Aluminium	2-3 weeks	8.90 kg	4.292	5.365
White	Black, Polished Aluminium	2-3 weeks	8.90 kg	4.292	5.365
Beige Sand	Black, Polished Aluminium	2-3 weeks	8.90 kg	4.292	5.365
Red Brown	Black, Polished Aluminium	2-3 weeks	8.90 kg	4.292	5.365
Light Blue	Black, Polished Aluminium	2-3 weeks	8.90 kg	4.292	5.365
Stone Grey	Black, Polished Aluminium	2-3 weeks	8.90 kg	4.292	5.365
Vermilion Red*	Black, Polished Aluminium	2-3 weeks	8.90 kg	4.292	5.365
Bronze Green	Black, Polished Aluminium	2-3 weeks	8.90 kg	4.292	5.365
Soft Pink*	Black, Polished Aluminium	2-3 weeks	8.90 kg	4.292	5.365

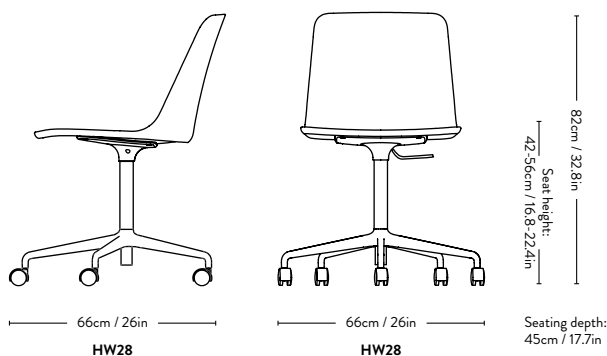


EU Ecolabel certified, validating high standards of durability, circular design, and responsible use of chemicals. Please contact our sales team for a list of EU Ecolabel compliant combinations.

Material: Shell made from 100% recycled polypropylene with fiber glass, cast aluminium 5-star swivel base w. gaslift & castors.

*Available while stock lasts

Castors suitable for all floor types.



Rely ^{HW29} Hee Welling 2020



Fabric gr.	Shell	Seat Cushion Upholstery	Base	Lead time	Weight	PRICE EX. VAT (SEK)	PRICE INC. VAT (SEK)
Fabric gr. 1	Plastic	Grain, Hot Madison, Remix, Re-Wool	Black, Polished Aluminium	4-6 weeks	10.20 kg	5.488	6.860
Fabric gr. 2	Plastic	Asator, Barnum, Canvas, Fiord	Black, Polished Aluminium	4-6 weeks	10.20 kg	5.844	7.305
Fabric gr. 3	Plastic	Clay, Hallingdal, Mylla, Steelcut Quartet, Steelcut Trio	Black, Polished Aluminium	4-6 weeks	10.20 kg	5.964	7.455
Fabric gr. 4	Plastic	Acca, Beda, Cifrado, Ecriture, Moss, Vidar	Black, Polished Aluminium	4-6 weeks	10.20 kg	6.324	7.905
Fabric gr. 5	Plastic	Gentle, Karakorum, Sisu	Black, Polished Aluminium	4-6 weeks	10.20 kg	6.800	8.500
Fabric gr. 6	Plastic	Fuse, Tiger Mountain**	Black, Polished Aluminium	4-6 weeks	10.20 kg	7.636	9.545
Leather	Plastic	Tailor Semi-aniline leather	Black, Polished Aluminium	4-6 weeks	10.20 kg	5.964	7.455
Leather	Plastic	Noble Aniline leather	Black, Polished Aluminium	4-6 weeks	10.20 kg	6.324	7.905
Leather	Plastic	Elmosoft Semi-aniline leather	Black, Polished Aluminium	4-6 weeks	10.20 kg	6.680	8.350
COM	Plastic	Fabric	Black, Polished Aluminium	4-6 weeks	10.20 kg	5.488	6.860

** Please be aware that the placement of the pattern may vary from piece to piece due to optimal usage of fabric when cutting. Patterns may not align at seams or edges



EU Ecolabel certified, validating high standards of durability, circular design, and responsible use of chemicals. Please contact our sales team for a list of EU Ecolabel compliant combinations.



Made using FSC® certified wood, supporting responsible environmental, social and economical management of the world's forests. Visit www.fsc.org

Plastic shell variants

Black, White, Beige Sand, Red Brown, Light Blue, Stone Grey, Vermilion Red*, Bronze Green, Soft Pink*

Material: Shell made from 100% recycled polypropylene with fiber glass, seat covered in HR foam with fabric or leather upholstery, cast aluminium 5-star swivel base w. gaslift & castors.

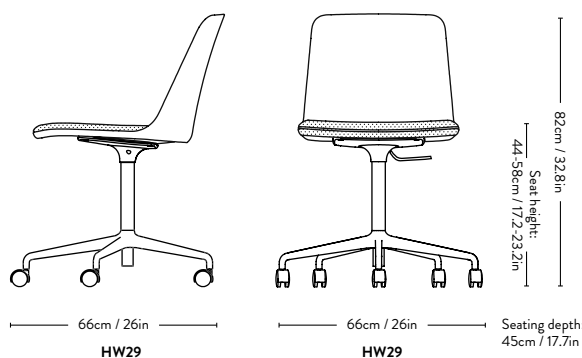
*Available while stock lasts

Castors suitable for all floor types.

Fabric usage: 0.8 meter based on a 140 cm roll.

Leather usage: 1 square meter based on a yield of 60% pr hide.

COM must be approved by &Tradition to ensure suitability for upholstery.



Rely HW30

Hee Welling

2020



Fabric gr.	Upholstery	Base	Lead time	Weight	PRICE EX. VAT (SEK)	PRICE INC. VAT (SEK)
Fabric gr. 1	Grain, Hot Madison, Remix, Re-Wool	Black, Polished Aluminium	4-6 weeks	8.90 kg	6.204	7.755
Fabric gr. 2	Asator, Barnum, Canvas, Fiord	Black, Polished Aluminium	4-6 weeks	8.90 kg	6.920	8.650
Fabric gr. 3	Clay, Hallingdal, Mylla, Steelcut Quartet, Steelcut Trio	Black, Polished Aluminium	4-6 weeks	8.90 kg	7.160	8.950
Fabric gr. 4	Acca, Beda, Cifrado, Ecriture, Moss, Vidar	Black, Polished Aluminium	4-6 weeks	8.90 kg	7.756	9.695
Fabric gr. 5	Gentle, Karakorum, Sisu	Black, Polished Aluminium	4-6 weeks	8.90 kg	9.188	11.485
Fabric gr. 6	Fuse, Tiger Mountain**	Black, Polished Aluminium	4-6 weeks	8.90 kg	10.024	12.530
Leather	Tailor Semi-aniline leather	Black, Polished Aluminium	4-6 weeks	8.90 kg	8.112	10.140
Leather	Noble Aniline leather	Black, Polished Aluminium	4-6 weeks	8.90 kg	8.472	10.590
Leather	Elmosoft Semi-aniline leather	Black, Polished Aluminium	4-6 weeks	8.90 kg	9.068	11.335
COM	Fabric	Black, Polished Aluminium	4-6 weeks	8.90 kg	6.204	7.755

** Please be aware that the placement of the pattern may vary from piece to piece due to optimal usage of fabric when cutting. Patterns may not align at seams or edges



EU Ecolabel certified, validating high standards of durability, circular design, and responsible use of chemicals. Please contact our sales team for a list of EU Ecolabel compliant combinations.

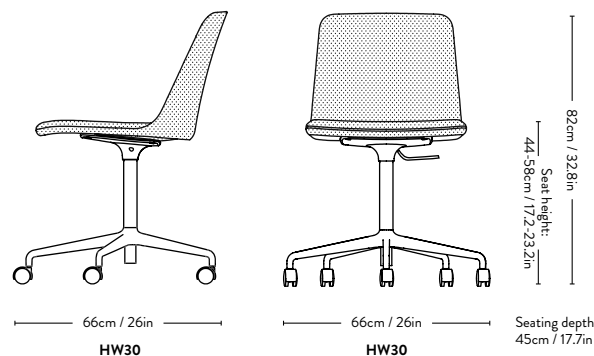
Material: Shell made from 100% recycled polypropylene with fiber glass, covered in HR foam with fabric or leather upholstery, cast aluminium 5-star swivel base w. gaslift & castors.

Castors suitable for all floor types.

Fabric usage: 1.7 meters based on a 140cm roll.

Leather usage: 1.7 square meters based on a yield of 60% pr hide.

COM must be approved by &Tradition to ensure suitability for upholstery.



Rely HW31

Hee Welling

2020



Fabric gr.	Upholstery	Base	Lead time	Weight	PRICE EX. VAT (SEK)	PRICE INC. VAT (SEK)
Fabric gr. 1	Grain, Hot Madison, Remix, Re-Wool	Black, Polished Aluminium	4-6 weeks	10.50 kg	6.440	8.050
Fabric gr. 2	Asator, Barnum, Canvas, Fiord	Black, Polished Aluminium	4-6 weeks	10.50 kg	7.160	8.950
Fabric gr. 3	Clay, Hallingdal, Mylla, Steelcut Quartet, Steelcut Trio	Black, Polished Aluminium	4-6 weeks	10.50 kg	7.396	9.245
Fabric gr. 4	Acca, Beda, Cifrado, Ecriture, Moss, Vidar	Black, Polished Aluminium	4-6 weeks	10.50 kg	7.996	9.995
Fabric gr. 5	Gentle, Karakorum, Sisu	Black, Polished Aluminium	4-6 weeks	10.50 kg	9.428	11.785
Fabric gr. 6	Fuse, Tiger Mountain**	Black, Polished Aluminium	4-6 weeks	10.50 kg	10.384	12.980
Leather	Tailor Semi-aniline leather	Black, Polished Aluminium	4-6 weeks	10.50 kg	8.352	10.440
Leather	Noble Aniline leather	Black, Polished Aluminium	4-6 weeks	10.50 kg	8.712	10.890
Leather	Elmosoft Semi-aniline leather	Black, Polished Aluminium	4-6 weeks	10.50 kg	9.548	11.935
COM	Fabric	Black, Polished Aluminium	4-6 weeks	10.50 kg	6.440	8.050

** Please be aware that the placement of the pattern may vary from piece to piece due to optimal usage of fabric when cutting. Patterns may not align at seams or edges



EU Ecolabel certified, validating high standards of durability, circular design, and responsible use of chemicals. Please contact our sales team for a list of EU Ecolabel compliant combinations.



Made using FSC® certified wood, supporting responsible environmental, social and economical management of the world's forests. Visit www.fsc.org

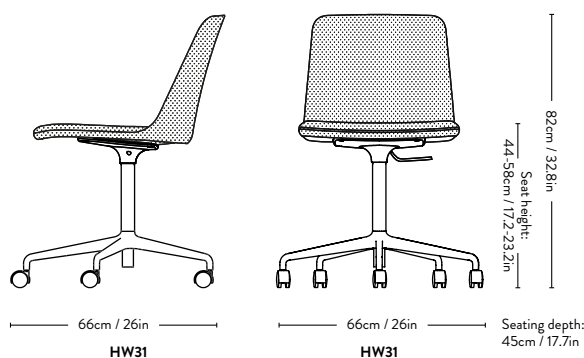
Material: Shell made from 100% recycled polypropylene with fiber glass, covered in HR foam with fabric or leather upholstery, cast aluminium 5-star swivel base w. gaslift & castors.

Castors suitable for all floor types.

Fabric usage: 1.4 meters based on a 140cm roll.

Leather usage: 1.7 square meters based on a yield of 60% pr hide.

COM must be approved by &Tradition to ensure suitability for upholstery.



Rely HW33 Hee Welling 2021



Shell Variant	Base	Colli qty.	Lead time	Weight	PRICE EX. VAT (SEK)	PRICE INC. VAT (SEK)
Black	Black, Bronzed, Chrome	1 pc (4pcs)	2-3 weeks	6.90 kg	2.500 2.384	3.125 2.980
White	Black, Bronzed, Chrome	1 pc (4pcs)	2-3 weeks	6.90 kg	2.500 2.384	3.125 2.980
Beige Sand	Black, Bronzed, Chrome	1 pc (4pcs)	2-3 weeks	6.90 kg	2.500 2.384	3.125 2.980
Red Brown	Black, Bronzed, Chrome	1 pc (4pcs)	2-3 weeks	6.90 kg	2.500 2.384	3.125 2.980
Light Blue	Black, Bronzed, Chrome	1 pc (4pcs)	2-3 weeks	6.90 kg	2.500 2.384	3.125 2.980
Stone Grey	Black, Bronzed, Chrome	1 pc (4pcs)	2-3 weeks	6.90 kg	2.500 2.384	3.125 2.980
Vermilion Red*	Black, Bronzed, Chrome	1 pc (4pcs)	2-3 weeks	6.90 kg	2.500 2.384	3.125 2.980
Bronze Green	Black, Bronzed, Chrome	1 pc (4pcs)	2-3 weeks	6.90 kg	2.500 2.384	3.125 2.980
Soft Pink*	Black, Bronzed, Chrome	1 pc (4pcs)	2-3 weeks	6.90 kg	2.500 2.384	3.125 2.980

Product no.	Product	Variant	Lead time	PRICE EX. VAT (SEK)	PRICE INC. VAT (SEK)
145307	Plastic gliders for Drawn, Elefy w. wood base, Rely w. tube (ex. stacking) & wood base, Muno, and Meantime Lounge Chairs, 4 pcs	Black	Stock item	88	110
145308	Felt gliders for Drawn, Elefy w. wood base, Rely w. tube (ex. stacking) & wood base, Muno, and Meantime Lounge Chairs, 4 pcs	Black	Stock item	88	110

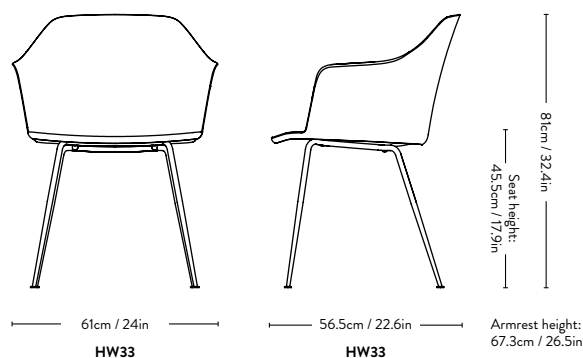


EU Ecolabel certified, validating high standards of durability, circular design, and responsible use of chemicals. Please contact our sales team for a list of EU Ecolabel compliant combinations.

Material: Shell made from 100% recycled polypropylene with fiber glass and a steel tube base.

*Available while stock lasts

Plastic gliders installed as standard. Felt gliders available upon request.



Rely HW34 Hee Welling 2021



Fabric gr.	Shell	Seat Cushion Upholstery	Base	Lead time	Weight	PRICE EX. VAT (SEK)	PRICE INC. VAT (SEK)
Fabric gr. 1	Plastic	Grain, Hot Madison, Remix, Re-Wool	Black, Bronzed, Chrome	4-6 weeks	8.10 kg	3.936	4.920
Fabric gr. 2	Plastic	Asator, Barnum, Canvas, Fiord	Black, Bronzed, Chrome	4-6 weeks	8.10 kg	4.292	5.365
Fabric gr. 3	Plastic	Clay, Hallingdal, Mylla, Steelcut Quartet, Steelcut Trio	Black, Bronzed, Chrome	4-6 weeks	8.10 kg	4.412	5.515
Fabric gr. 4	Plastic	Acca, Cifrado, Ecriture, Moss, Vidar	Black, Bronzed, Chrome	4-6 weeks	8.10 kg	4.772	5.965
Fabric gr. 5	Plastic	Gentle, Karakorum, Sisu	Black, Bronzed, Chrome	4-6 weeks	8.10 kg	5.248	6.560
Fabric gr. 6	Plastic	Fuse, Tiger Mountain**	Black, Bronzed, Chrome	4-6 weeks	8.10 kg	5.724	7.155
Leather	Plastic	Tailor Semi-aniline leather	Black, Bronzed, Chrome	4-6 weeks	8.10 kg	4.412	5.515
Leather	Plastic	Noble Aniline leather	Black, Bronzed, Chrome	4-6 weeks	8.10 kg	4.772	5.965
Leather	Plastic	Elmosoft Semi-aniline leather	Black, Bronzed, Chrome	4-6 weeks	8.10 kg	5.128	6.410
COM	Plastic	Fabric	Black, Bronzed, Chrome	4-6 weeks	8.10 kg	3.936	4.920

Product no.	Product	Variant	Lead time	PRICE EX. VAT (SEK)	PRICE INC. VAT (SEK)
145307	Plastic gliders for Drawn, Elefy w. wood base, Rely w. tube (ex. stacking) & wood base, Muno, and Meantime Lounge Chairs, 4 pcs	Black	Stock item	88	110
145308	Felt gliders for Drawn, Elefy w. wood base, Rely w. tube (ex. stacking) & wood base, Muno, and Meantime Lounge Chairs, 4 pcs	Black	Stock item	88	110

** Please be aware that the placement of the pattern may vary from piece to piece due to optimal usage of fabric when cutting. Patterns may not align at seams or edges



EU Ecolabel certified, validating high standards of durability, circular design, and responsible use of chemicals. Please contact our sales team for a list of EU Ecolabel compliant combinations.

EU Ecolabel | DK/048/039



Made using FSC® certified wood, supporting responsible environmental, social and economical management of the world's forests. Visit www.fsc.org

The mark of responsible forestry

Plastic shell variants

Black, White, Beige Sand, Red Brown, Light Blue, Stone Grey, Vermilion Red*, Bronze Green, Soft Pink*

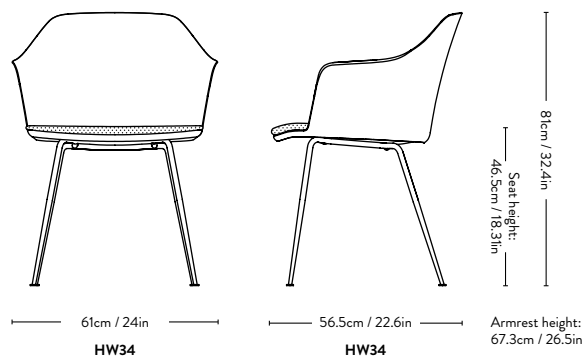
Material: Shell made from 100% recycled polypropylene with fiber glass, HR foam seat covered with fabric or leather upholstery, steel tube base.

*Available while stock lasts

Fabric usage: 0.8 meter based on a 140 cm roll.

Leather usage: 1 square meter based on a yield of 60% pr hide.

COM must be approved by &Tradition to ensure suitability for upholstery. Plastic gliders installed as standard. Felt gliders available upon request.



Rely HW35 Hee Welling 2021



Fabric gr.	Upholstery	Base	Lead time	Weight	PRICE EX. VAT (SEK)	PRICE INC. VAT (SEK)
Fabric gr. 1	Grain, Hot Madison, Remix, Re-Wool	Black, Bronzed, Chrome	4-6 weeks	7.30 kg	5.128	6.410
Fabric gr. 2	Asator, Barnum, Canvas, Fiord	Black, Bronzed, Chrome	4-6 weeks	7.30 kg	5.844	7.305
Fabric gr. 3	Clay, Hallingdal, Mylla, Steelcut Quartet, Steelcut Trio	Black, Bronzed, Chrome	4-6 weeks	7.30 kg	6.084	7.605
Fabric gr. 4	Acca, Cifrado, Ecriture, Moss, Vidar	Black, Bronzed, Chrome	4-6 weeks	7.30 kg	6.800	8.500
Fabric gr. 5	Gentle, Karakorum, Sisu	Black, Bronzed, Chrome	4-6 weeks	7.30 kg	8.232	10.290
Fabric gr. 6	Fuse, Tiger Mountain**	Black, Bronzed, Chrome	4-6 weeks	7.30 kg	9.068	11.335
Leather	Tailor Semi-aniline leather	Black, Bronzed, Chrome	4-6 weeks	7.30 kg	7.160	8.950
Leather	Noble Aniline leather	Black, Bronzed, Chrome	4-6 weeks	7.30 kg	8.592	10.740
Leather	Elmosoft Semi-aniline leather	Black, Bronzed, Chrome	4-6 weeks	7.30 kg	9.428	11.785
COM	Fabric	Black, Bronzed, Chrome	4-6 weeks	7.30 kg	5.128	6.410

Product no.	Product	Variant	Lead time	PRICE EX. VAT (SEK)	PRICE INC. VAT (SEK)
145307	Plastic gliders for Drawn, Elefy w. wood base, Rely w. tube (ex. stacking) & wood base, Muno, and Meantime Lounge Chairs, 4 pcs	Black	Stock item	88	110
145308	Felt gliders for Drawn, Elefy w. wood base, Rely w. tube (ex. stacking) & wood base, Muno, and Meantime Lounge Chairs, 4 pcs	Black	Stock item	88	110

** Please be aware that the placement of the pattern may vary from piece to piece due to optimal usage of fabric when cutting. Patterns may not align at seams or edges

Material: Shell made from 100% recycled polypropylene with fiber glass, covered with HR foam with fabric or leather upholstery, steel tube base.



EU Ecolabel certified, validating high standards of durability, circular design, and responsible use of chemicals. Please contact our sales team for a list of EU Ecolabel compliant combinations.

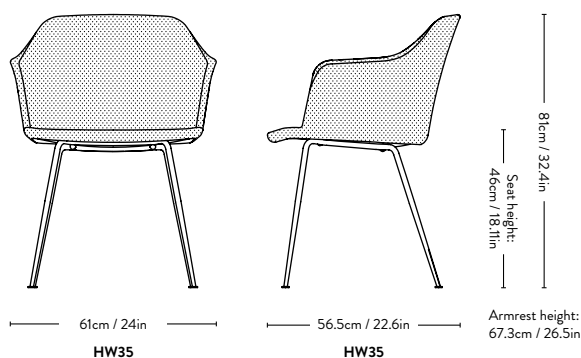
Fabric usage: 1.5 meters based on 140cm roll.

Leather usage: 2.8 square meters based on a yield of 60% pr hide.

COM must be approved by &Tradition to ensure suitability for upholstery.

Plastic gliders installed as standard.

Felt gliders available upon request.



Rely HW36

Hee Welling

2021



Fabric gr.	Upholstery	Base	Lead time	Weight	PRICE EX. VAT (SEK)	PRICE INC. VAT (SEK)
Fabric gr. 1	Grain, Hot Madison, Remix, Re-Wool	Black, Bronzed, Chrome	4-6 weeks	8.40 kg	5.488	6.860
Fabric gr. 2	Asator, Barnum, Canvas, Fiord	Black, Bronzed, Chrome	4-6 weeks	8.40 kg	6.204	7.755
Fabric gr. 3	Clay, Hallingdal, Mylla, Steelcut Quartet, Steelcut Trio	Black, Bronzed, Chrome	4-6 weeks	8.40 kg	6.440	8.050
Fabric gr. 4	Acca, Cifrado, Ecriture, Moss, Vidar	Black, Bronzed, Chrome	4-6 weeks	8.40 kg	7.160	8.950
Fabric gr. 5	Gentle, Karakorum, Sisu	Black, Bronzed, Chrome	4-6 weeks	8.40 kg	8.592	10.740
Fabric gr. 6	Fuse, Tiger Mountain**	Black, Bronzed, Chrome	4-6 weeks	8.40 kg	9.428	11.785
Leather	Tailor Semi-aniline leather	Black, Bronzed, Chrome	4-6 weeks	8.40 kg	7.516	9.395
Leather	Noble Aniline leather	Black, Bronzed, Chrome	4-6 weeks	8.40 kg	8.948	11.185
Leather	Elmosoft Semi-aniline leather	Black, Bronzed, Chrome	4-6 weeks	8.40 kg	10.024	12.530
COM	Fabric	Black, Bronzed, Chrome	4-6 weeks	8.40 kg	5.488	6.860

Product no.	Product	Variant	Lead time	PRICE EX. VAT (SEK)	PRICE INC. VAT (SEK)
145307	Plastic gliders for Drawn, Elefy w. wood base, Rely w. tube (ex. stacking) & wood base, Muno, and Meantime Lounge Chairs, 4 pcs	Black	Stock item	88	110
145308	Felt gliders for Drawn, Elefy w. wood base, Rely w. tube (ex. stacking) & wood base, Muno, and Meantime Lounge Chairs, 4 pcs	Black	Stock item	88	110

** Please be aware that the placement of the pattern may vary from piece to piece due to optimal usage of fabric when cutting. Patterns may not align at seams or edges

Material: Shell made from 100% recycled polypropylene with fiber glass, covered with HR foam with fabric or leather upholstery, steel tube base.



EU Ecolabel certified, validating high standards of durability, circular design, and responsible use of chemicals. Please contact our sales team for a list of EU Ecolabel compliant combinations.

Fabric usage: 1.5 meters based on 140cm roll.

Leather usage: 2.8 square meters based on a yield of 60% pr hide.

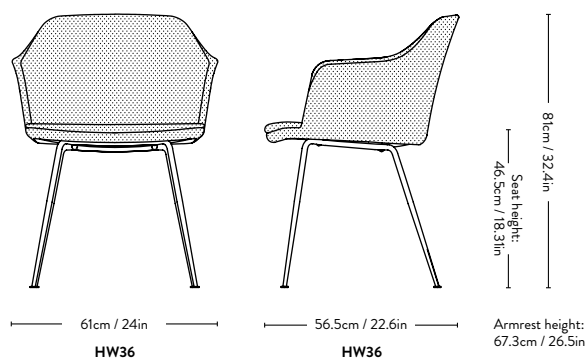
COM must be approved by &Tradition to ensure suitability for upholstery.



Made using FSC® certified wood, supporting responsible environmental, social and economical management of the world's forests. Visit www.fsc.org

Plastic gliders installed as standard.

Felt gliders available upon request.



Rely ^{HW38} Hee Welling 2021

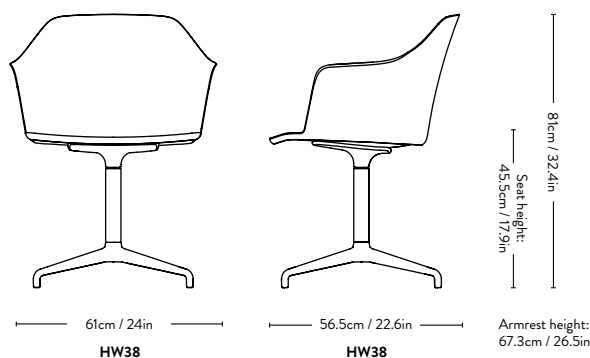


Shell Variant	Base	Lead time	Weight	PRICE EX. VAT (SEK)	PRICE INC. VAT (SEK)
Black	Black, Bronzed, Polished Aluminium	2-3 weeks	9.40 kg	3.336	4.170
White	Black, Bronzed, Polished Aluminium	2-3 weeks	9.40 kg	3.336	4.170
Beige Sand	Black, Bronzed, Polished Aluminium	2-3 weeks	9.40 kg	3.336	4.170
Red Brown	Black, Bronzed, Polished Aluminium	2-3 weeks	9.40 kg	3.336	4.170
Light Blue	Black, Bronzed, Polished Aluminium	2-3 weeks	9.40 kg	3.336	4.170
Stone Grey	Black, Bronzed, Polished Aluminium	2-3 weeks	9.40 kg	3.336	4.170
Vermilion Red*	Black, Bronzed, Polished Aluminium	2-3 weeks	9.40 kg	3.336	4.170
Bronze Green	Black, Bronzed, Polished Aluminium	2-3 weeks	9.40 kg	3.336	4.170
Soft Pink*	Black, Bronzed, Polished Aluminium	2-3 weeks	9.40 kg	3.336	4.170

Material: Shell made from 100% recycled polypropylene with fiber glass and an aluminium swivel base.

*Available while stock lasts

Plastic gliders installed as standard.
Felt gliders available upon request.



Rely HW39 Hee Welling 2021



Fabric gr.	Shell	Seat Cushion Upholstery	Base	Lead time	Weight	PRICE EX. VAT (SEK)	PRICE INC. VAT (SEK)
Fabric gr. 1	Plastic	Grain, Hot Madison, Remix, Re-Wool	Black, Bronzed, Polished Aluminium	4-6 weeks	10.70 kg	5.008	6.260
Fabric gr. 2	Plastic	Asator, Barnum, Canvas, Fiord	Black, Bronzed, Polished Aluminium	4-6 weeks	10.70 kg	5.368	6.710
Fabric gr. 3	Plastic	Clay, Hallingdal, Mylla, Steelcut Quartet, Steelcut Trio	Black, Bronzed, Polished Aluminium	4-6 weeks	10.70 kg	5.488	6.860
Fabric gr. 4	Plastic	Acca, Cifrado, Ecriture, Moss, Vidar	Black, Bronzed, Polished Aluminium	4-6 weeks	10.70 kg	5.844	7.305
Fabric gr. 5	Plastic	Gentle, Karakorum, Sisu	Black, Bronzed, Polished Aluminium	4-6 weeks	10.70 kg	6.324	7.905
Fabric gr. 6	Plastic	Fuse, Tiger Mountain**	Black, Bronzed, Polished Aluminium	4-6 weeks	10.70 kg	6.920	8.650
Leather	Plastic	Tailor Semi-aniline leather	Black, Bronzed, Polished Aluminium	4-6 weeks	10.70 kg	5.488	6.860
Leather	Plastic	Noble Aniline leather	Black, Bronzed, Polished Aluminium	4-6 weeks	10.70 kg	5.844	7.305
Leather	Plastic	Elmosoft Semi-aniline leather	Black, Bronzed, Polished Aluminium	4-6 weeks	10.70 kg	6.204	7.755
COM	Plastic	Fabric	Black, Bronzed, Polished Aluminium	4-6 weeks	10.70 kg	5.008	6.260

** Please be aware that the placement of the pattern may vary from piece to piece due to optimal usage of fabric when cutting. Patterns may not align at seams or edges



Made using FSC® certified wood, supporting responsible environmental, social and economical management of the world's forests. Visit www.fsc.org

Plastic shell variants

Black, White, Beige Sand, Red Brown, Light Blue, Stone Grey, Vermilion Red*, Bronze Green, Soft Pink*

Material: Shell made from 100% recycled polypropylene with fiber glass, HR foam seat covered with fabric or leather upholstery, aluminium swivel base.

*Available while stock lasts

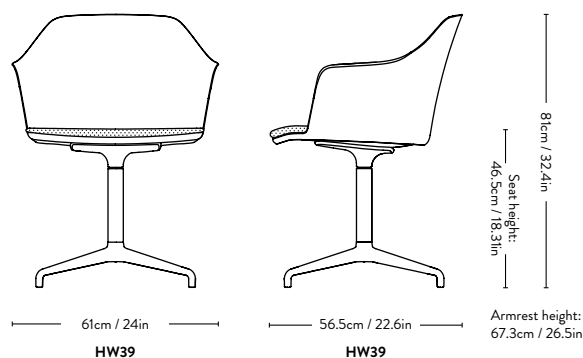
Fabric usage: 0.8 meter based on a 140 cm roll.

Leather usage: 1 square meter based on a yield of 60% pr hide.

COM must be approved by &Tradition to ensure suitability for upholstery.

Plastic gliders installed as standard.

Felt gliders available upon request.



Rely HW40

Hee Welling

2021



Fabric gr.	Upholstery	Base	Lead time	Weight	PRICE EX. VAT (SEK)	PRICE INC. VAT (SEK)
Fabric gr. 1	Grain, Hot Madison, Remix, Re-Wool	Black, Bronzed, Polished Aluminium	4-6 weeks	9.90 kg	5.964	7.455
Fabric gr. 2	Asator, Barnum, Canvas, Fiord	Black, Bronzed, Polished Aluminium	4-6 weeks	9.90 kg	6.680	8.350
Fabric gr. 3	Clay, Hallingdal, Mylla, Steelcut Quartet, Steelcut Trio	Black, Bronzed, Polished Aluminium	4-6 weeks	9.90 kg	6.920	8.650
Fabric gr. 4	Acca, Cifrado, Ecriture, Moss, Vidar	Black, Bronzed, Polished Aluminium	4-6 weeks	9.90 kg	7.636	9.545
Fabric gr. 5	Gentle, Karakorum, Sisu	Black, Bronzed, Polished Aluminium	4-6 weeks	9.90 kg	9.068	11.335
Fabric gr. 6	Fuse, Tiger Mountain**	Black, Bronzed, Polished Aluminium	4-6 weeks	9.90 kg	10.144	12.680
Leather	Tailor Semi-aniline leather	Black, Bronzed, Polished Aluminium	4-6 weeks	9.90 kg	7.996	9.995
Leather	Noble Aniline leather	Black, Bronzed, Polished Aluminium	4-6 weeks	9.90 kg	9.428	11.785
Leather	Elmosoft Semi-aniline leather	Black, Bronzed, Polished Aluminium	4-6 weeks	9.90 kg	10.264	12.830
COM	Fabric	Black, Bronzed, Polished Aluminium	4-6 weeks	9.90 kg	5.964	7.455

** Please be aware that the placement of the pattern may vary from piece to piece due to optimal usage of fabric when cutting. Patterns may not align at seams or edges

Material: Shell made from 100% recycled polypropylene with fiber glass, covered with HR foam with fabric or leather upholstery, aluminium swivel base.

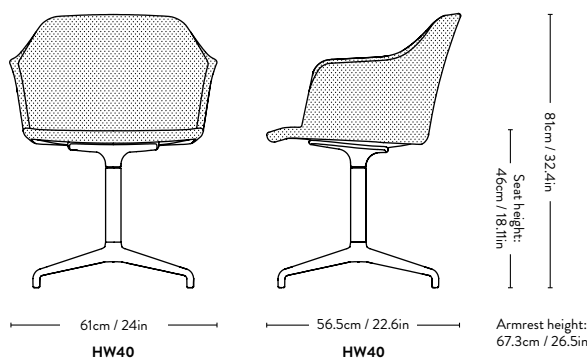
Fabric usage: 1.5 meters based on 140cm roll.

Leather usage: 2.8 square meters based on a yield of 60% pr hide.

Plastic gliders installed as standard.

Felt gliders available upon request.

COM must be approved by &Tradition to ensure suitability for upholstery.



Rely HW41

Hee Welling

2021



Fabric gr.	Upholstery	Base	Lead time	Weight	PRICE EX. VAT (SEK)	PRICE INC. VAT (SEK)
Fabric gr. 1	Grain, Hot Madison, Remix, Re-Wool	Black, Bronzed, Polished Aluminium	4-6 weeks	11.00 kg	6.324	7.905
Fabric gr. 2	Asator, Barnum, Canvas, Fiord	Black, Bronzed, Polished Aluminium	4-6 weeks	11.00 kg	7.040	8.800
Fabric gr. 3	Clay, Hallingdal, Mylla, Steelcut Quartet, Steelcut Trio	Black, Bronzed, Polished Aluminium	4-6 weeks	11.00 kg	7.276	9.095
Fabric gr. 4	Acca, Cifrado, Ecriture, Moss, Vidar	Black, Bronzed, Polished Aluminium	4-6 weeks	11.00 kg	7.996	9.995
Fabric gr. 5	Gentle, Karakorum, Sisu	Black, Bronzed, Polished Aluminium	4-6 weeks	11.00 kg	9.428	11.785
Fabric gr. 6	Fuse, Tiger Mountain**	Black, Bronzed, Polished Aluminium	4-6 weeks	11.00 kg	10.384	12.980
Leather	Tailor Semi-aniline leather	Black, Bronzed, Polished Aluminium	4-6 weeks	11.00 kg	8.352	10.440
Leather	Noble Aniline leather	Black, Bronzed, Polished Aluminium	4-6 weeks	11.00 kg	9.784	12.230
Leather	Elmosoft Semi-aniline leather	Black, Bronzed, Polished Aluminium	4-6 weeks	11.00 kg	10.860	13.575
COM	Fabric	Black, Bronzed, Polished Aluminium	4-6 weeks	11.00 kg	6.324	7.905

** Please be aware that the placement of the pattern may vary from piece to piece due to optimal usage of fabric when cutting. Patterns may not align at seams or edges



Made using FSC® certified wood, supporting responsible environmental, social and economical management of the world's forests. Visit www.fsc.org

Material: Shell made from 100% recycled polypropylene with fiber glass, covered with HR foam with fabric or leather upholstery, aluminium swivel base.

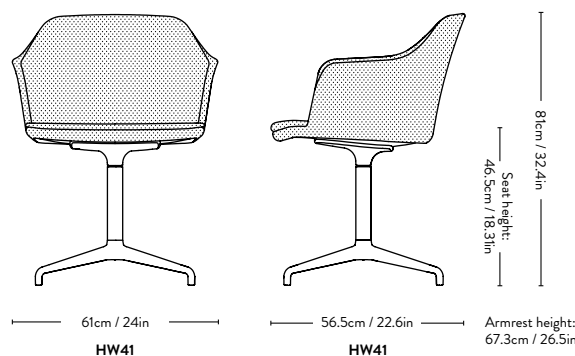
Fabric usage: 1.5 meters based on 140cm roll.

Leather usage: 2.8 square meters based on a yield of 60% pr hide.

Plastic gliders installed as standard.

Felt gliders available upon request.

COM must be approved by &Tradition to ensure suitability for upholstery.



Rely ^{HW43} Hee Welling 2021

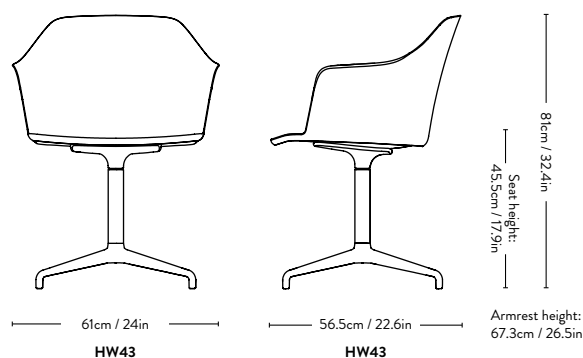


Shell Variant	Base	Lead time	Weight	PRICE EX. VAT (SEK)	PRICE INC. VAT (SEK)
Black	Black, Bronzed, Polished Aluminium	2-3 weeks	9.40 kg	3.816	4.770
White	Black, Bronzed, Polished Aluminium	2-3 weeks	9.40 kg	3.816	4.770
Beige Sand	Black, Bronzed, Polished Aluminium	2-3 weeks	9.40 kg	3.816	4.770
Red Brown	Black, Bronzed, Polished Aluminium	2-3 weeks	9.40 kg	3.816	4.770
Light Blue	Black, Bronzed, Polished Aluminium	2-3 weeks	9.40 kg	3.816	4.770
Stone Grey	Black, Bronzed, Polished Aluminium	2-3 weeks	9.40 kg	3.816	4.770
Vermilion Red*	Black, Bronzed, Polished Aluminium	2-3 weeks	9.40 kg	3.816	4.770
Bronze Green	Black, Bronzed, Polished Aluminium	2-3 weeks	9.40 kg	3.816	4.770
Soft Pink*	Black, Bronzed, Polished Aluminium	2-3 weeks	9.40 kg	3.816	4.770

Material: Shell made from 100% recycled polypropylene with fiber glass and an aluminium swivel base w. return function.

*Available while stock lasts

Plastic gliders installed as standard.
Felt gliders available upon request.



Rely HW44 Hee Welling 2021



Fabric gr.	Shell	Seat Cushion Upholstery	Base	Lead time	Weight	PRICE EX. VAT (SEK)	PRICE INC. VAT (SEK)
Fabric gr. 1	Plastic	Grain, Hot Madison, Remix, Re-Wool	Black, Bronzed, Polished Aluminium	4-6 weeks	10.70 kg	5.488	6.860
Fabric gr. 2	Plastic	Asator, Barnum, Canvas, Fiord	Black, Bronzed, Polished Aluminium	4-6 weeks	10.70 kg	5.844	7.305
Fabric gr. 3	Plastic	Clay, Hallingdal, Mylla, Steelcut Quartet, Steelcut Trio	Black, Bronzed, Polished Aluminium	4-6 weeks	10.70 kg	5.964	7.455
Fabric gr. 4	Plastic	Acca, Cifrado, Ecriture, Moss, Vidar	Black, Bronzed, Polished Aluminium	4-6 weeks	10.70 kg	6.324	7.905
Fabric gr. 5	Plastic	Gentle, Karakorum, Sisu	Black, Bronzed, Polished Aluminium	4-6 weeks	10.70 kg	6.800	8.500
Fabric gr. 6	Plastic	Fuse, Tiger Mountain**	Black, Bronzed, Polished Aluminium	4-6 weeks	10.70 kg	7.516	9.395
Leather	Plastic	Tailor Semi-aniline leather	Black, Bronzed, Polished Aluminium	4-6 weeks	10.70 kg	5.964	7.455
Leather	Plastic	Noble Aniline leather	Black, Bronzed, Polished Aluminium	4-6 weeks	10.70 kg	6.324	7.905
Leather	Plastic	Elmosoft Semi-aniline leather	Black, Bronzed, Polished Aluminium	4-6 weeks	10.70 kg	6.680	8.350
COM	Plastic	Fabric	Black, Bronzed, Polished Aluminium	4-6 weeks	10.70 kg	5.488	6.860

** Please be aware that the placement of the pattern may vary from piece to piece due to optimal usage of fabric when cutting. Patterns may not align at seams or edges



Made using FSC® certified wood, supporting responsible environmental, social and economical management of the world's forests. Visit www.fsc.org

Plastic shell variants

Black, White, Beige Sand, Red Brown, Light Blue, Stone Grey, Vermilion Red*, Bronze Green, Soft Pink*

Material: Shell made from 100% recycled polypropylene with fiber glass, HR foam seat covered with fabric or leather upholstery, aluminium swivel base w. return function.

*Available while stock lasts

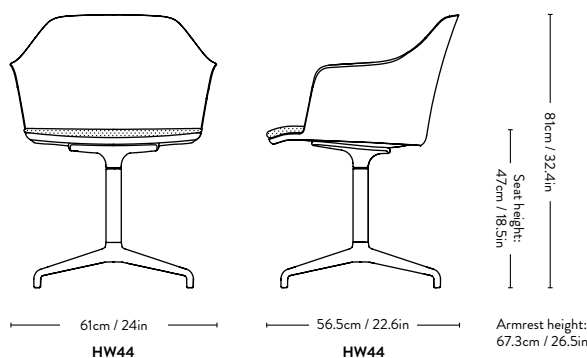
Fabric usage: 0.8 meter based on a 140 cm roll.

Leather usage: 1 square meter based on a yield of 60% pr hide.

COM must be approved by &Tradition to ensure suitability for upholstery.

Plastic gliders installed as standard.

Felt gliders available upon request.



Rely HW45

Hee Welling

2021



Fabric gr.	Upholstery	Base	Lead time	Weight	PRICE EX. VAT (SEK)	PRICE INC. VAT (SEK)
Fabric gr. 1	Grain, Hot Madison, Remix, Re-Wool	Black, Bronzed, Polished Aluminium	4-6 weeks	9.90 kg	6.440	8.050
Fabric gr. 2	Asator, Barnum, Canvas, Fiord	Black, Bronzed, Polished Aluminium	4-6 weeks	9.90 kg	7.160	8.950
Fabric gr. 3	Clay, Hallingdal, Mylla, Steelcut Quartet, Steelcut Trio	Black, Bronzed, Polished Aluminium	4-6 weeks	9.90 kg	7.396	9.245
Fabric gr. 4	Acca, Cifrado, Ecriture, Moss, Vidar	Black, Bronzed, Polished Aluminium	4-6 weeks	9.90 kg	8.112	10.140
Fabric gr. 5	Gentle, Karakorum, Sisu	Black, Bronzed, Polished Aluminium	4-6 weeks	9.90 kg	9.548	11.935
Fabric gr. 6	Fuse, Tiger Mountain**	Black, Bronzed, Polished Aluminium	4-6 weeks	9.90 kg	10.500	13.125
Leather	Tailor Semi-aniline leather	Black, Bronzed, Polished Aluminium	4-6 weeks	9.90 kg	8.472	10.590
Leather	Noble Aniline leather	Black, Bronzed, Polished Aluminium	4-6 weeks	9.90 kg	9.904	12.380
Leather	Elmosoft Semi-aniline leather	Black, Bronzed, Polished Aluminium	4-6 weeks	9.90 kg	10.740	13.425
COM	Fabric	Black, Bronzed, Polished Aluminium	4-6 weeks	9.90 kg	6.440	8.050

** Please be aware that the placement of the pattern may vary from piece to piece due to optimal usage of fabric when cutting. Patterns may not align at seams or edges

Material: Shell made from 100% recycled polypropylene with fiber glass, covered with HR foam with fabric or leather upholstery, aluminium swivel base with return.

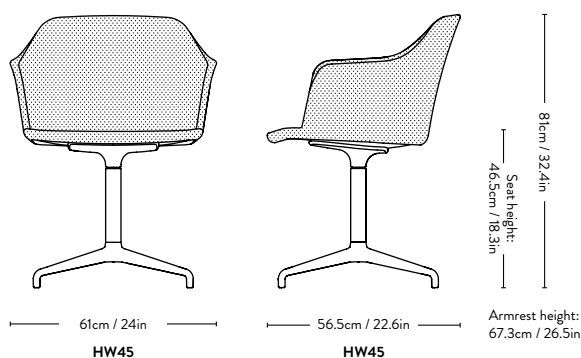
Fabric usage: 1.5 meters based on 140cm roll.

Leather usage: 2.8 square meters based on a yield of 60% pr hide.

Plastic gliders installed as standard.

Felt gliders available upon request.

COM must be approved by &Tradition to ensure suitability for upholstery.



Rely HW46

Hee Welling

2021



Fabric gr.	Upholstery	Base	Lead time	Weight	PRICE EX. VAT (SEK)	PRICE INC. VAT (SEK)
Fabric gr. 1	Grain, Hot Madison, Remix, Re-Wool	Black, Bronzed, Polished Aluminium	4-6 weeks	11.00 kg	6.800	8.500
Fabric gr. 2	Asator, Barnum, Canvas, Fiord	Black, Bronzed, Polished Aluminium	4-6 weeks	11.00 kg	7.516	9.395
Fabric gr. 3	Clay, Hallingdal, Mylla, Steelcut Quartet, Steelcut Trio	Black, Bronzed, Polished Aluminium	4-6 weeks	11.00 kg	7.756	9.695
Fabric gr. 4	Acca, Cifrado, Ecriture, Moss, Vidar	Black, Bronzed, Polished Aluminium	4-6 weeks	11.00 kg	8.472	10.590
Fabric gr. 5	Gentle, Karakorum, Sisu	Black, Bronzed, Polished Aluminium	4-6 weeks	11.00 kg	9.904	12.380
Fabric gr. 6	Fuse, Tiger Mountain**	Black, Bronzed, Polished Aluminium	4-6 weeks	11.00 kg	10.860	13.575
Leather	Tailor Semi-aniline leather	Black, Bronzed, Polished Aluminium	4-6 weeks	11.00 kg	8.828	11.035
Leather	Noble Aniline leather	Black, Bronzed, Polished Aluminium	4-6 weeks	11.00 kg	10.264	12.830
Leather	Elmosoft Semi-aniline leather	Black, Bronzed, Polished Aluminium	4-6 weeks	11.00 kg	11.336	14.170
COM	Fabric	Black, Bronzed, Polished Aluminium	4-6 weeks	11.00 kg	6.800	8.500

** Please be aware that the placement of the pattern may vary from piece to piece due to optimal usage of fabric when cutting. Patterns may not align at seams or edges



Made using FSC® certified wood, supporting responsible environmental, social and economical management of the world's forests. Visit www.fsc.org

Material: Shell made from 100% recycled polypropylene with fiber glass, covered with HR foam with fabric or leather upholstery, aluminium swivel base with return.

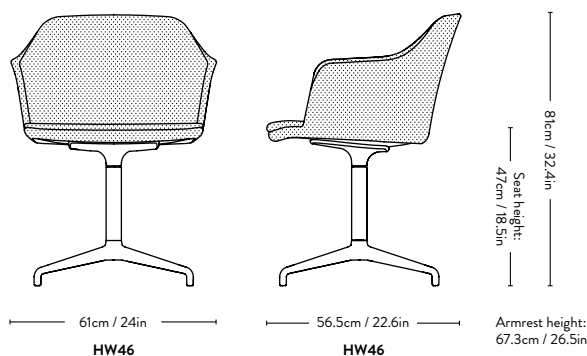
Fabric usage: 1.5 meters based on 140cm roll.

Leather usage: 2.8 square meters based on a yield of 60% pr hide.

Plastic gliders installed as standard.

Felt gliders available upon request.

COM must be approved by &Tradition to ensure suitability for upholstery.



Rely ^{HW48} Hee Welling 2021

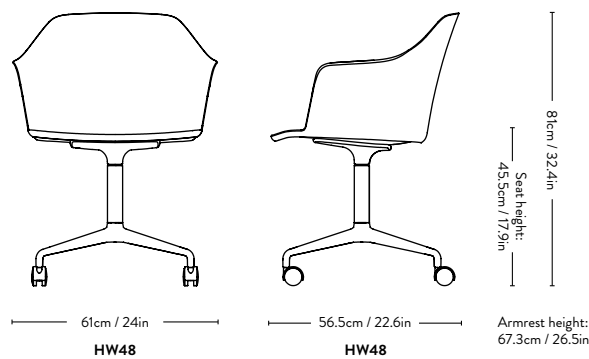


Shell Variant	Base	Lead time	Weight	PRICE EX. VAT (SEK)	PRICE INC. VAT (SEK)
Black	Black, Bronzed, Polished Aluminium	2-3 weeks	9.40 kg	3.816	4.770
White	Black, Bronzed, Polished Aluminium	2-3 weeks	9.40 kg	3.816	4.770
Beige Sand	Black, Bronzed, Polished Aluminium	2-3 weeks	9.40 kg	3.816	4.770
Red Brown	Black, Bronzed, Polished Aluminium	2-3 weeks	9.40 kg	3.816	4.770
Light Blue	Black, Bronzed, Polished Aluminium	2-3 weeks	9.40 kg	3.816	4.770
Stone Grey	Black, Bronzed, Polished Aluminium	2-3 weeks	9.40 kg	3.816	4.770
Vermilion Red*	Black, Bronzed, Polished Aluminium	2-3 weeks	9.40 kg	3.816	4.770
Bronze Green	Black, Bronzed, Polished Aluminium	2-3 weeks	9.40 kg	3.816	4.770
Soft Pink*	Black, Bronzed, Polished Aluminium	2-3 weeks	9.40 kg	3.816	4.770

Material: Shell made from 100% recycled polypropylene with fiber glass, aluminium swivel base with castors.

*Available while stock lasts

Castors suitable for all floor types.



Rely HW49

Hee Welling

2021



Fabric gr.	Shell	Seat Cushion Upholstery	Base	Lead time	Weight	PRICE EX. VAT (SEK)	PRICE INC. VAT (SEK)
Fabric gr. 1	Plastic	Grain, Hot Madison, Remix, Re-Wool	Black, Bronzed, Polished Aluminium	4-6 weeks	10.70 kg	5.488	6.860
Fabric gr. 2	Plastic	Asator, Barnum, Canvas, Fiord	Black, Bronzed, Polished Aluminium	4-6 weeks	10.70 kg	5.844	7.305
Fabric gr. 3	Plastic	Clay, Hallingdal, Mylla, Steelcut Quartet, Steelcut Trio	Black, Bronzed, Polished Aluminium	4-6 weeks	10.70 kg	5.964	7.455
Fabric gr. 4	Plastic	Acca, Cifrado, Ecriture, Moss, Vidar	Black, Bronzed, Polished Aluminium	4-6 weeks	10.70 kg	6.324	7.905
Fabric gr. 5	Plastic	Gentle, Karakorum, Sisu	Black, Bronzed, Polished Aluminium	4-6 weeks	10.70 kg	6.800	8.500
Fabric gr. 6	Plastic	Fuse, Tiger Mountain**	Black, Bronzed, Polished Aluminium	4-6 weeks	10.70 kg	7.396	9.245
Leather	Plastic	Tailor Semi-aniline leather	Black, Bronzed, Polished Aluminium	4-6 weeks	10.70 kg	5.964	7.455
Leather	Plastic	Noble Aniline leather	Black, Bronzed, Polished Aluminium	4-6 weeks	10.70 kg	6.324	7.905
Leather	Plastic	Elmosoft Semi-aniline leather	Black, Bronzed, Polished Aluminium	4-6 weeks	10.70 kg	6.680	8.350
COM	Plastic	Fabric	Black, Bronzed, Polished Aluminium	4-6 weeks	10.70 kg	5.488	6.860

** Please be aware that the placement of the pattern may vary from piece to piece due to optimal usage of fabric when cutting. Patterns may not align at seams or edges



Made using FSC® certified wood, supporting responsible environmental, social and economical management of the world's forests. Visit www.fsc.org

Plastic shell variants

Black, White, Beige Sand, Red Brown, Light Blue, Stone Grey, Vermilion Red*, Bronze Green, Soft Pink*

Material: Shell made from 100% recycled polypropylene with fiber glass, HR foam seat covered with fabric or leather upholstery, aluminium swivel base and castors.

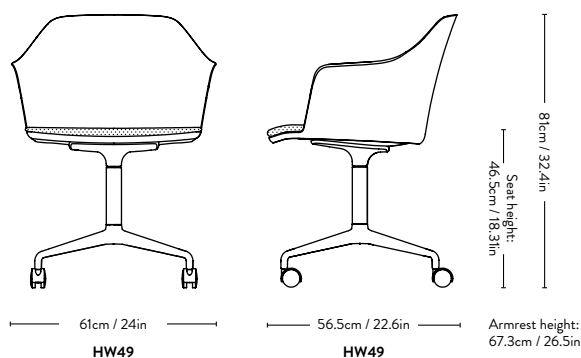
*Available while stock lasts

Fabric usage: 0.8 meter based on a 140 cm roll.

Leather usage: 1 square meter based on a yield of 60% pr hide.

Castors suitable for all floor types.

COM must be approved by &Tradition to ensure suitability for upholstery.



Rely^{HW50} Hee Welling 2021



Fabric gr.	Upholstery	Base	Lead time	Weight	PRICE EX. VAT (SEK)	PRICE INC. VAT (SEK)
Fabric gr. 1	Grain, Hot Madison, Remix, Re-Wool	Black, Bronzed, Polished Aluminium	4-6 weeks	9.90 kg	6.440	8.050
Fabric gr. 2	Asator, Barnum, Canvas, Fiord	Black, Bronzed, Polished Aluminium	4-6 weeks	9.90 kg	7.160	8.950
Fabric gr. 3	Clay, Hallingdal, Mylla, Steelcut Quartet, Steelcut Trio	Black, Bronzed, Polished Aluminium	4-6 weeks	9.90 kg	7.396	9.245
Fabric gr. 4	Acca, Cifrado, Ecriture, Moss, Vidar	Black, Bronzed, Polished Aluminium	4-6 weeks	9.90 kg	8.112	10.140
Fabric gr. 5	Gentle, Karakorum, Sisu	Black, Bronzed, Polished Aluminium	4-6 weeks	9.90 kg	9.548	11.935
Fabric gr. 6	Fuse, Tiger Mountain**	Black, Bronzed, Polished Aluminium	4-6 weeks	9.90 kg	10.500	13.125
Leather	Tailor Semi-aniline leather	Black, Bronzed, Polished Aluminium	4-6 weeks	9.90 kg	8.472	10.590
Leather	Noble Aniline leather	Black, Bronzed, Polished Aluminium	4-6 weeks	9.90 kg	9.904	12.380
Leather	Elmosoft Semi-aniline leather	Black, Bronzed, Polished Aluminium	4-6 weeks	9.90 kg	10.740	13.425
COM	Fabric	Black, Bronzed, Polished Aluminium	4-6 weeks	9.90 kg	6.440	8.050

** Please be aware that the placement of the pattern may vary from piece to piece due to optimal usage of fabric when cutting. Patterns may not align at seams or edges

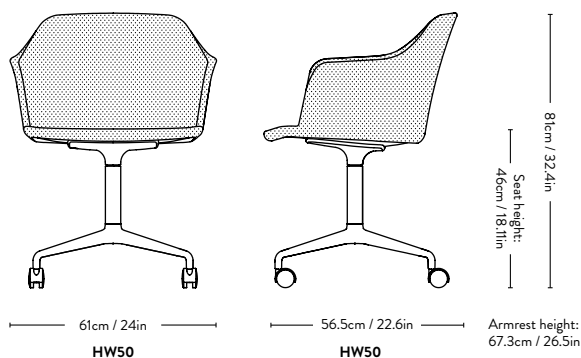
Material: Shell made from 100% recycled polypropylene with fiber glass, covered with HR foam with fabric or leather upholstery, aluminium swivel base with castors.

Fabric usage: 1.5 meters based on 140cm roll.

Leather usage: 2.8 square meters based on a yield of 60% pr hide.

Castors suitable for all floor types.

COM must be approved by &Tradition to ensure suitability for upholstery.



Rely^{HW51} Hee Welling 2021



Fabric gr.	Upholstery	Base	Lead time	Weight	PRICE EX. VAT (SEK)	PRICE INC. VAT (SEK)
Fabric gr. 1	Grain, Hot Madison, Remix, Re-Wool	Black, Bronzed, Polished Aluminium	4-6 weeks	11.00 kg	6.800	8.500
Fabric gr. 2	Asator, Barnum, Canvas, Fiord	Black, Bronzed, Polished Aluminium	4-6 weeks	11.00 kg	7.516	9.395
Fabric gr. 3	Clay, Hallingdal, Mylla, Steelcut Quartet, Steelcut Trio	Black, Bronzed, Polished Aluminium	4-6 weeks	11.00 kg	7.636	9.545
Fabric gr. 4	Acca, Cifrado, Ecriture, Moss, Vidar	Black, Bronzed, Polished Aluminium	4-6 weeks	11.00 kg	8.472	10.590
Fabric gr. 5	Gentle, Karakorum, Sisu	Black, Bronzed, Polished Aluminium	4-6 weeks	11.00 kg	9.904	12.380
Fabric gr. 6	Fuse, Tiger Mountain**	Black, Bronzed, Polished Aluminium	4-6 weeks	11.00 kg	10.860	13.575
Leather	Tailor Semi-aniline leather	Black, Bronzed, Polished Aluminium	4-6 weeks	11.00 kg	8.828	11.035
Leather	Noble Aniline leather	Black, Bronzed, Polished Aluminium	4-6 weeks	11.00 kg	10.264	12.830
Leather	Elmosoft Semi-aniline leather	Black, Bronzed, Polished Aluminium	4-6 weeks	11.00 kg	11.336	14.170
COM	Fabric	Black, Bronzed, Polished Aluminium	4-6 weeks	11.00 kg	6.800	8.500

** Please be aware that the placement of the pattern may vary from piece to piece due to optimal usage of fabric when cutting. Patterns may not align at seams or edges



Made using FSC® certified wood, supporting responsible environmental, social and economical management of the world's forests. Visit www.fsc.org

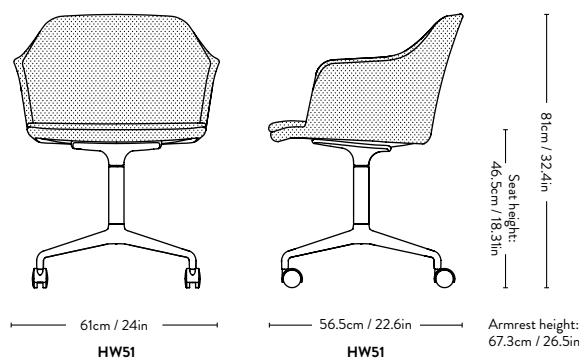
Material: Shell made from 100% recycled polypropylene with fiber glass, covered with HR foam with fabric or leather upholstery, aluminium swivel base with castors.

Fabric usage: 1.5 meters based on 140cm roll.

Leather usage: 2.8 square meters based on a yield of 60% pr hide.

Castors suitable for all floor types.

COM must be approved by &Tradition to ensure suitability for upholstery.



Rely^{HW53} Hee Welling 2021



Shell Variant	Base	Lead time	Weight	PRICE EX. VAT (SEK)	PRICE INC. VAT (SEK)
Black	Black, Polished Aluminium	2-3 weeks	10.50 kg	4.532	5.665
White	Black, Polished Aluminium	2-3 weeks	10.50 kg	4.532	5.665
Beige Sand	Black, Polished Aluminium	2-3 weeks	10.50 kg	4.532	5.665
Red Brown	Black, Polished Aluminium	2-3 weeks	10.50 kg	4.532	5.665
Light Blue	Black, Polished Aluminium	2-3 weeks	10.50 kg	4.532	5.665
Stone Grey	Black, Polished Aluminium	2-3 weeks	10.50 kg	4.532	5.665
Vermilion Red*	Black, Polished Aluminium	2-3 weeks	10.50 kg	4.532	5.665
Bronze Green	Black, Polished Aluminium	2-3 weeks	10.50 kg	4.532	5.665
Soft Pink*	Black, Polished Aluminium	2-3 weeks	10.50 kg	4.532	5.665

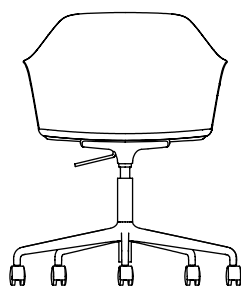


EU Ecolabel certified, validating high standards of durability, circular design, and responsible use of chemicals. Please contact our sales team for a list of EU Ecolabel compliant combinations.

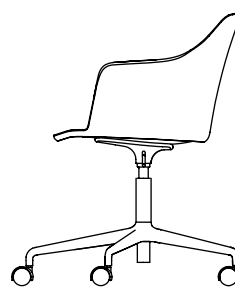
Material: Shell made from 100% recycled polypropylene with fiber glass, cast aluminium 5-star swivel base w. gaslift & castors.

*Available while stock lasts

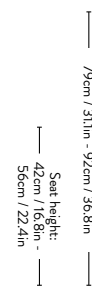
Castors suitable for all floor types.



66cm / 26.4in
HW53



66cm / 26.4in
HW53



Seat height:
79cm / 31.1in - 92cm / 36.8in
42cm / 16.5in -
30cm / 22.4in
Armrest height:
66.5cm / 26.2in - 79cm / 31.1in

Rely HW54

Hee Welling

2021



Fabric gr.	Shell	Seat Cushion Upholstery	Base	Lead time	Weight	PRICE EX. VAT (SEK)	PRICE INC. VAT (SEK)
Fabric gr. 1	Plastic	Grain, Hot Madison, Remix, Re-Wool	Black, Polished Aluminium	4-6 weeks	11.80 kg	5.724	7.155
Fabric gr. 2	Plastic	Asator, Barnum, Canvas, Fiord	Black, Polished Aluminium	4-6 weeks	11.80 kg	6.084	7.605
Fabric gr. 3	Plastic	Clay, Hallingdal, Mylla, Steelcut Quartet, Steelcut Trio	Black, Polished Aluminium	4-6 weeks	11.80 kg	6.204	7.755
Fabric gr. 4	Plastic	Acca, Cifrado, Ecriture, Moss, Vidar	Black, Polished Aluminium	4-6 weeks	11.80 kg	6.560	8.200
Fabric gr. 5	Plastic	Gentle, Karakorum, Sisu	Black, Polished Aluminium	4-6 weeks	11.80 kg	7.040	8.800
Fabric gr. 6	Plastic	Fuse, Tiger Mountain**	Black, Polished Aluminium	4-6 weeks	11.80 kg	7.756	9.695
Leather	Plastic	Tailor Semi-aniline leather	Black, Polished Aluminium	4-6 weeks	11.80 kg	6.204	7.755
Leather	Plastic	Noble Aniline leather	Black, Polished Aluminium	4-6 weeks	11.80 kg	6.560	8.200
Leather	Plastic	Elmosoft Semi-aniline leather	Black, Polished Aluminium	4-6 weeks	11.80 kg	7.160	8.950
COM	Plastic	Fabric	Black, Polished Aluminium	4-6 weeks	11.80 kg	5.724	7.155

** Please be aware that the placement of the pattern may vary from piece to piece due to optimal usage of fabric when cutting. Patterns may not align at seams or edges



EU Ecolabel certified, validating high standards of durability, circular design, and responsible use of chemicals. Please contact our sales team for a list of EU Ecolabel compliant combinations.



Made using FSC® certified wood, supporting responsible environmental, social and economical management of the world's forests. Visit www.fsc.org

Plastic shell variants

Black, White, Beige Sand, Red Brown, Light Blue, Stone Grey, Vermilion Red*, Bronze Green, Soft Pink*

Material: Shell made from 100% recycled polypropylene with fiber glass, seat covered in HR foam with fabric or leather upholstery, cast aluminium 5-star swivel base w. gaslift & castors.

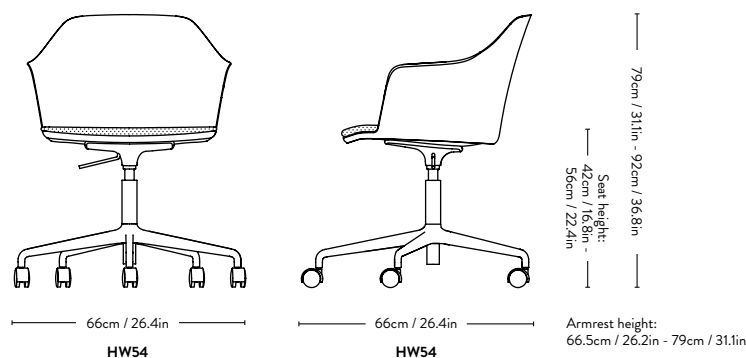
*Available while stock lasts

Fabric usage: 0.8 meter based on a 140 cm roll.

Leather usage: 1 square meter based on a yield of 60% pr hide.

COM must be approved by &Tradition to ensure suitability for upholstery.

Castors suitable for all floor types.



Rely HW55

Hee Welling

2021



Fabric gr.	Upholstery	Base	Lead time	Weight	PRICE EX. VAT (SEK)	PRICE INC. VAT (SEK)
Fabric gr. 1	Grain, Hot Madison, Remix, Re-Wool	Black, Polished Aluminium	4-6 weeks	11.00 kg	6.920	8.650
Fabric gr. 2	Asator, Barnum, Canvas, Fiord	Black, Polished Aluminium	4-6 weeks	11.00 kg	7.636	9.545
Fabric gr. 3	Clay, Hallingdal, Mylla, Steelcut Quartet, Steelcut Trio	Black, Polished Aluminium	4-6 weeks	11.00 kg	7.876	9.845
Fabric gr. 4	Acca, Cifrado, Ecriture, Moss, Vidar	Black, Polished Aluminium	4-6 weeks	11.00 kg	8.592	10.740
Fabric gr. 5	Gentle, Karakorum, Sisu	Black, Polished Aluminium	4-6 weeks	11.00 kg	10.144	12.680
Fabric gr. 6	Fuse, Tiger Mountain**	Black, Polished Aluminium	4-6 weeks	11.00 kg	10.980	13.725
Leather	Tailor Semi-aniline leather	Black, Polished Aluminium	4-6 weeks	11.00 kg	8.948	11.185
Leather	Noble Aniline leather	Black, Polished Aluminium	4-6 weeks	11.00 kg	10.384	12.980
Leather	Elmosoft Semi-aniline leather	Black, Polished Aluminium	4-6 weeks	11.00 kg	11.216	14.020
COM	Fabric	Black, Polished Aluminium	4-6 weeks	11.00 kg	6.920	8.650

** Please be aware that the placement of the pattern may vary from piece to piece due to optimal usage of fabric when cutting. Patterns may not align at seams or edges

Material: Shell made from 100% recycled polypropylene with fiber glass, covered with HR foam with fabric or leather upholstery, cast aluminium 5-star swivel base w. gaslift & castors.



EU Ecolabel certified, validating high standards of durability, circular design, and responsible use of chemicals. Please contact our sales team for a list of EU Ecolabel compliant combinations.

Castors suitable for all floor types.

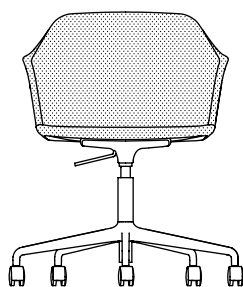


Made using FSC® certified wood, supporting responsible environmental, social and economical management of the world's forests. Visit www.fsc.org

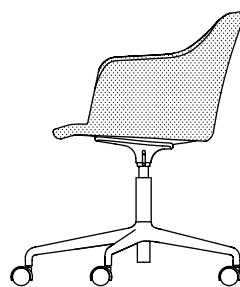
Fabric usage: 1.5 meters based on 140cm roll.

Leather usage: 2.8 square meters based on a yield of 60% pr hide.

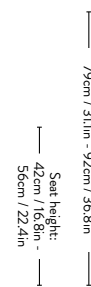
COM must be approved by &Tradition to ensure suitability for upholstery.



66cm / 26.4in
HW55



66cm / 26.4in
HW55



Seat height:
79cm / 31.1in - 92cm / 36.8in
42cm / 16.5in -
30cm / 12.4in
Armrest height:
66.5cm / 26.2in - 79cm / 31.1in

Rely HW56

Hee Welling

2021



Fabric gr.	Upholstery	Base	Lead time	Weight	PRICE EX. VAT (SEK)	PRICE INC. VAT (SEK)
Fabric gr. 1	Grain, Hot Madison, Remix, Re-Wool	Black, Polished Aluminium	4-6 weeks	12.10 kg	7.276	9.095
Fabric gr. 2	Asator, Barnum, Canvas, Fiord	Black, Polished Aluminium	4-6 weeks	12.10 kg	7.996	9.995
Fabric gr. 3	Clay, Hallingdal, Mylla, Steelcut Quartet, Steelcut Trio	Black, Polished Aluminium	4-6 weeks	12.10 kg	8.232	10.290
Fabric gr. 4	Acca, Cifrado, Ecriture, Moss, Vidar	Black, Polished Aluminium	4-6 weeks	12.10 kg	8.948	11.185
Fabric gr. 5	Gentle, Karakorum, Sisu	Black, Polished Aluminium	4-6 weeks	12.10 kg	10.384	12.980
Fabric gr. 6	Fuse, Tiger Mountain**	Black, Polished Aluminium	4-6 weeks	12.10 kg	11.456	14.320
Leather	Tailor Semi-aniline leather	Black, Polished Aluminium	4-6 weeks	12.10 kg	9.308	11.635
Leather	Noble Aniline leather	Black, Polished Aluminium	4-6 weeks	12.10 kg	10.740	13.425
Leather	Elmosoft Semi-aniline leather	Black, Polished Aluminium	4-6 weeks	12.10 kg	11.816	14.770
COM	Fabric	Black, Polished Aluminium	4-6 weeks	12.10 kg	7.276	9.095

** Please be aware that the placement of the pattern may vary from piece to piece due to optimal usage of fabric when cutting. Patterns may not align at seams or edges

Material: Shell made from 100% recycled polypropylene with fiber glass, covered with HR foam with fabric or leather upholstery, cast aluminium 5-star swivel base w. gaslift & castors.



EU Ecolabel certified, validating high standards of durability, circular design, and responsible use of chemicals. Please contact our sales team for a list of EU Ecolabel compliant combinations.

Castors suitable for all floor types.

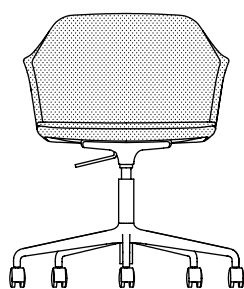


Made using FSC® certified wood, supporting responsible environmental, social and economical management of the world's forests. Visit www.fsc.org

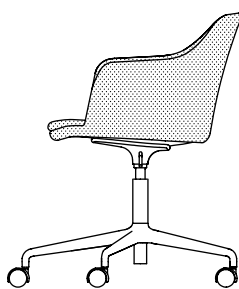
Fabric usage: 1.5 meters based on 140cm roll.

Leather usage: 2.8 square meters based on a yield of 60% pr hide.

COM must be approved by &Tradition to ensure suitability for upholstery.



66cm / 26.4in
HW56



66cm / 26.4in
HW56



Rely ^{HW71} Hee Welling 2022



Shell Variant	Base	Colli qty.	Lead time	Weight	PRICE EX. VAT (SEK)	PRICE INC. VAT (SEK)
Black	Oak	1 pc	2-3 weeks	5.70 kg	2.740	3.425
	Walnut				3.100	3.875
White	Oak	1 pc	2-3 weeks	5.70 kg	2.740	3.425
	Walnut				3.100	3.875
Beige Sand	Oak	1 pc	2-3 weeks	5.70 kg	2.740	3.425
	Walnut				3.100	3.875
Red Brown	Oak	1 pc	2-3 weeks	5.70 kg	2.740	3.425
	Walnut				3.100	3.875
Light Blue	Oak	1 pc	2-3 weeks	5.70 kg	2.740	3.425
	Walnut				3.100	3.875
Stone Grey	Oak	1 pc	2-3 weeks	5.70 kg	2.740	3.425
	Walnut				3.100	3.875
Vermilion Red*	Oak	1 pc	2-3 weeks	5.70 kg	2.740	3.425
	Walnut				3.100	3.875
Bronze Green	Oak	1 pc	2-3 weeks	5.70 kg	2.740	3.425
	Walnut				3.100	3.875
Soft Pink*	Oak	1 pc	2-3 weeks	5.70 kg	2.740	3.425
	Walnut				3.100	3.875

Product no.	Product	Variant	Lead time	PRICE EX. VAT (SEK)	PRICE INC. VAT (SEK)
145307	Plastic gliders for Drawn, Elefy w. wood base, Rely w. tube (ex. stacking) & wood base, Muno, and Meantime Lounge Chairs, 4 pcs	Black	Stock item	88	110
145308	Felt gliders for Drawn, Elefy w. wood base, Rely w. tube (ex. stacking) & wood base, Muno, and Meantime Lounge Chairs, 4 pcs	Black	Stock item	88	110



EU Ecolabel certified, validating high standards of durability, circular design, and responsible use of chemicals. Please contact our sales team for a list of EU Ecolabel compliant combinations.

EU Ecolabel : DK/049/059



Made using FSC® certified wood, supporting responsible environmental, social and economical management of the world's forests. Visit www.fsc.org

Material: Shell made from 100% recycled polypropylene with fiber glass. Water based lacquered oak or walnut base.

*Available while stock lasts

Plastic gliders installed as standard. Felt gliders available upon request.



Rely HW72

Hee Welling

2022



Fabric gr.	Shell	Seat Cushion Upholstery	Base	Lead time	Weight	PRICE EX. VAT (SEK)	PRICE INC. VAT (SEK)
Fabric gr. 1	Plastic	Grain, Hot Madison, Remix, Re-Wool	Oak	6-8 weeks	6.50 kg	4.172	5.215
			Walnut			4.532	5.665
Fabric gr. 2	Plastic	Asator, Barnum, Canvas, Fiord	Oak	6-8 weeks	6.50 kg	4.532	5.665
			Walnut			4.888	6.110
Fabric gr. 3	Plastic	Clay, Hallingdal, Mylla, Steelcut Quartet, Steelcut Trio	Oak	6-8 weeks	6.50 kg	4.652	5.815
			Walnut			5.128	6.410
Fabric gr. 4	Plastic	Acca, Beda, Cifrado, Ecriture, Moss, Vidar	Oak	6-8 weeks	6.50 kg	5.008	6.260
			Walnut			5.368	6.710
Fabric gr. 5	Plastic	Gentle, Karakorom, Sisu	Oak	6-8 weeks	6.50 kg	5.488	6.860
			Walnut			5.844	7.305
Fabric gr. 6	Plastic	Fuse, Tiger Mountain**	Oak	6-8 weeks	6.50 kg	6.084	7.605
			Walnut			6.440	8.050
Leather	Plastic	Tailor Semi-aniline leather	Oak	6-8 weeks	6.50 kg	4.652	5.815
			Walnut			5.008	6.260
Leather	Plastic	Noble Aniline leather	Oak	6-8 weeks	6.50 kg	5.008	6.260
			Walnut			5.368	6.710
Leather	Plastic	Elmosoft Semi-aniline leather	Oak	6-8 weeks	6.50 kg	5.368	6.710
			Walnut			5.724	7.155
COM	Plastic	Fabric	Oak	6-8 weeks	6.50 kg	4.172	5.215
			Walnut			4.532	5.665

Product no.	Product	Variant	Lead time	PRICE EX. VAT (SEK)	PRICE INC. VAT (SEK)
145307	Plastic gliders for Drawn, Elefy w. wood base, Rely w. tube (ex. stacking) & wood base, Muno, and Meantime Lounge Chairs, 4 pcs	Black	Stock item	88	110
145308	Felt gliders for Drawn, Elefy w. wood base, Rely w. tube (ex. stacking) & wood base, Muno, and Meantime Lounge Chairs, 4 pcs	Black	Stock item	88	110

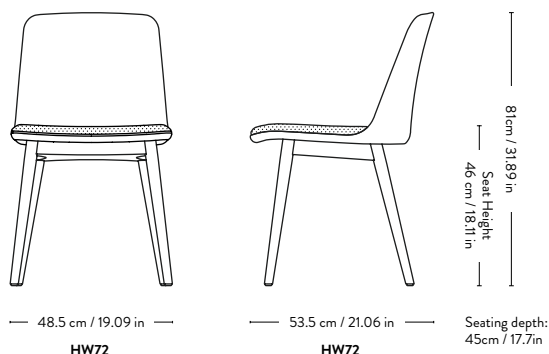
** Please be aware that the placement of the pattern may vary from piece to piece due to optimal usage of fabric when cutting. Patterns may not align at seams or edges



EU Ecolabel certified, validating high standards of durability, circular design, and responsible use of chemicals. Please contact our sales team for a list of EU Ecolabel compliant combinations.



Made using FSC® certified wood, supporting responsible environmental, social and economical management of the world's forests. Visit www.fsc.org



Plastic shell variants

Black, White, Beige Sand, Red Brown, Light Blue, Stone Grey, Vermilion Red*, Bronze Green, Soft Pink*

Material: Shell made from 100% recycled polypropylene with fiber glass. Upholstered seats are made with a veneer plate with 30mm HR foam. Water based lacquered oak or walnut base.

*Available while stock lasts

Plastic gliders installed as standard. Felt gliders available upon request.

Fabric usage: 0.8 meter based on a 140 cm roll.
Leather usage: 1 square meter based on a yield of 60% pr hide.

COM must be approved by &Tradition to ensure suitability for upholstery.

Rely HW73

Hee Welling

2022



Fabric gr.	Upholstery	Base	Lead time	Weight	PRICE EX. VAT (SEK)	PRICE INC. VAT (SEK)
Fabric gr. 1	Grain, Hot Madison, Remix, Re-Wool	Oak Walnut	6-8 weeks	6.20 kg	5.128 5.488	6.410 6.860
Fabric gr. 2	Asator, Barnum, Canvas, Fiord	Oak Walnut	6-8 weeks	6.20 kg	5.844 6.204	7.305 7.755
Fabric gr. 3	Clay, Hallingdal, Mylla, Steelcut Quartet, Steelcut Trio	Oak Walnut	6-8 weeks	6.20 kg	6.084 6.440	7.605 8.050
Fabric gr. 4	Acca, Beda, Cifrado, Ecriture, Moss, Vidar	Oak Walnut	6-8 weeks	6.20 kg	6.680 7.040	8.350 8.800
Fabric gr. 5	Gentle, Karakorum, Sisu	Oak Walnut	6-8 weeks	6.20 kg	8.112 8.472	10.140 10.590
Fabric gr. 6	Fuse, Tiger Mountain**	Oak Walnut	6-8 weeks	6.20 kg	8.948 9.308	11.185 11.635
Leather	Tailor Semi-aniline leather	Oak Walnut	6-8 weeks	6.20 kg	7.040 7.396	8.800 9.245
Leather	Noble Aniline leather	Oak Walnut	6-8 weeks	6.20 kg	7.396 7.756	9.245 9.695
Leather	Elmosoft Semi-aniline leather	Oak Walnut	6-8 weeks	6.20 kg	7.996 8.352	9.995 10.440
COM	Fabric	Oak Walnut	6-8 weeks	6.20 kg	5.128 5.488	6.410 6.860

Product no.	Product	Variant	Lead time	PRICE EX. VAT (SEK)	PRICE INC. VAT (SEK)
145307	Plastic gliders for Drawn, Elefy w. wood base, Rely w. tube (ex. stacking) & wood base, Muno, and Meantime Lounge Chairs, 4 pcs	Black	Stock item	88	110
145308	Felt gliders for Drawn, Elefy w. wood base, Rely w. tube (ex. stacking) & wood base, Muno, and Meantime Lounge Chairs, 4 pcs	Black	Stock item	88	110

** Please be aware that the placement of the pattern may vary from piece to piece due to optimal usage of fabric when cutting. Patterns may not align at seams or edges

Material: Shell made from 100% recycled polypropylene with fiber glass. Upholstered seats are made with a veneer plate with 30mm HR foam. Water based lacquered oak or walnut base.

Plastic gliders installed as standard. Felt gliders available upon request.

Fabric usage: 1.7 meters based on a 140cm roll.

Leather usage: 1.7 square meters based on a yield of 60% pr hide.

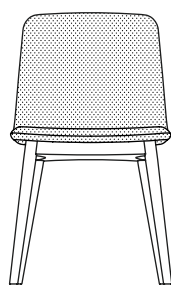
COM must be approved by &Tradition to ensure suitability for upholstery.



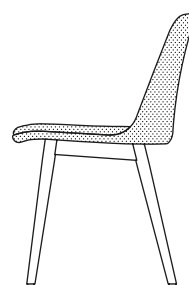
EU Ecolabel certified, validating high standards of durability, circular design, and responsible use of chemicals. Please contact our sales team for a list of EU Ecolabel compliant combinations.



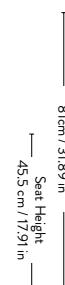
Made using FSC® certified wood, supporting responsible environmental, social and economical management of the world's forests. Visit www.fsc.org



— 48.5 cm / 19.09 in —
HW73



— 53.5 cm / 21.06 in —
HW73



81cm / 31.89 in
Seat Height
45.5 cm / 17.91 in
Seating depth:
45cm / 17.7in

Rely HW74

Hee Welling

2022



Fabric gr.	Upholstery	Base	Lead time	Weight	PRICE EX. VAT (SEK)	PRICE INC. VAT (SEK)
Fabric gr. 1	Grain, Hot Madison, Remix, Re-Wool	Oak Walnut	6-8 weeks	7.30 kg	5.368 5.724	6.710 7.155
Fabric gr. 2	Asator, Barnum, Canvas, Fiord	Oak Walnut	6-8 weeks	7.30 kg	6.084 6.440	7.605 8.050
Fabric gr. 3	Clay, Hallingdal, Mylla, Steelcut Quartet, Steelcut Trio	Oak Walnut	6-8 weeks	7.30 kg	6.324 6.680	7.905 8.350
Fabric gr. 4	Acca, Beda, Cifrado, Ecriture, Moss, Vidar	Oak Walnut	6-8 weeks	7.30 kg	6.920 7.276	8.650 9.095
Fabric gr. 5	Gentle, Karakorum, Sisu	Oak Walnut	6-8 weeks	7.30 kg	8.352 8.712	10.440 10.890
Fabric gr. 6	Fuse, Tiger Mountain**	Oak Walnut	6-8 weeks	7.30 kg	9.188 9.548	11.485 11.935
Leather	Tailor Semi-aniline leather	Oak Walnut	6-8 weeks	7.30 kg	7.276 7.636	9.095 9.545
Leather	Noble Aniline leather	Oak Walnut	6-8 weeks	7.30 kg	7.636 7.996	9.545 9.995
Leather	Elmosoft Semi-aniline leather	Oak Walnut	6-8 weeks	7.30 kg	8.712 9.068	10.890 11.335
COM	Fabric	Oak Walnut	6-8 weeks	7.30 kg	5.368 5.724	6.710 7.155

Product no.	Product	Variant	Lead time	PRICE EX. VAT (SEK)	PRICE INC. VAT (SEK)
145307	Plastic gliders for Drawn, Elefy w. wood base, Rely w. tube (ex. stacking) & wood base, Muno, and Meantime Lounge Chairs, 4 pcs	Black	Stock item	88	110
145308	Felt gliders for Drawn, Elefy w. wood base, Rely w. tube (ex. stacking) & wood base, Muno, and Meantime Lounge Chairs, 4 pcs	Black	Stock item	88	110

** Please be aware that the placement of the pattern may vary from piece to piece due to optimal usage of fabric when cutting. Patterns may not align at seams or edges

Material: Shell made from 100% recycled polypropylene with fiber glass. Upholstered seats are made with a veneer plate with 30mm HR foam. Water based lacquered oak or walnut base.

Plastic gliders installed as standard.
Felt gliders available upon request.

Fabric usage: 1.4 meters based on a 140cm roll.

Leather usage: 1.7 square meters based on a yield of 60% pr hide.

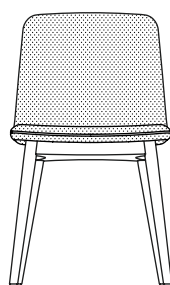
COM must be approved by &Tradition to ensure suitability for upholstery.



EU Ecolabel certified, validating high standards of durability, circular design, and responsible use of chemicals. Please contact our sales team for a list of EU Ecolabel compliant combinations.

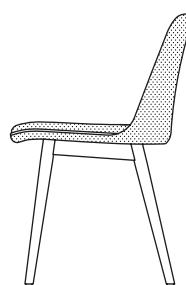


Made using FSC® certified wood, supporting responsible environmental, social and economical management of the world's forests. Visit www.fsc.org



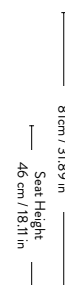
— 48.5 cm / 19.09 in —

HW74



— 53.5 cm / 21.06 in —

HW74



81 cm / 31.89 in
46 cm / 18.11 in
Seat Height

Seating depth:
45cm / 17.7in

Rely HW76

Hee Welling

2022



Shell Variant	Base	Colli qty.	Lead time	Weight	PRICE EX. VAT (SEK)	PRICE INC. VAT (SEK)
Black	Oak	1 pc	2-3 weeks	7.00 kg	3.100	3.875
	Walnut				3.456	4.320
White	Oak	1 pc	2-3 weeks	7.00 kg	3.100	3.875
	Walnut				3.456	4.320
Beige Sand	Oak	1 pc	2-3 weeks	7.00 kg	3.100	3.875
	Walnut				3.456	4.320
Red Brown	Oak	1 pc	2-3 weeks	7.00 kg	3.100	3.875
	Walnut				3.456	4.320
Light Blue	Oak	1 pc	2-3 weeks	7.00 kg	3.100	3.875
	Walnut				3.456	4.320
Stone Grey	Oak	1 pc	2-3 weeks	7.00 kg	3.100	3.875
	Walnut				3.456	4.320
Vermilion Red*	Oak	1 pc	2-3 weeks	7.00 kg	3.100	3.875
	Walnut				3.456	4.320
Bronze Green	Oak	1 pc	2-3 weeks	7.00 kg	3.100	3.875
	Walnut				3.456	4.320
Soft Pink*	Oak	1 pc	2-3 weeks	7.00 kg	3.100	3.875
	Walnut				3.456	4.320

Product no.	Product	Variant	Lead time	PRICE EX. VAT (SEK)	PRICE INC. VAT (SEK)
145307	Plastic gliders for Drawn, Elefy w. wood base, Rely w. tube (ex. stacking) & wood base, Muno, and Meantime Lounge Chairs, 4 pcs	Black	Stock item	88	110
145308	Felt gliders for Drawn, Elefy w. wood base, Rely w. tube (ex. stacking) & wood base, Muno, and Meantime Lounge Chairs, 4 pcs	Black	Stock item	88	110



EU Ecolabel certified, validating high standards of durability, circular design, and responsible use of chemicals. Please contact our sales team for a list of EU Ecolabel compliant combinations.

EU Ecolabel | DK/049/029

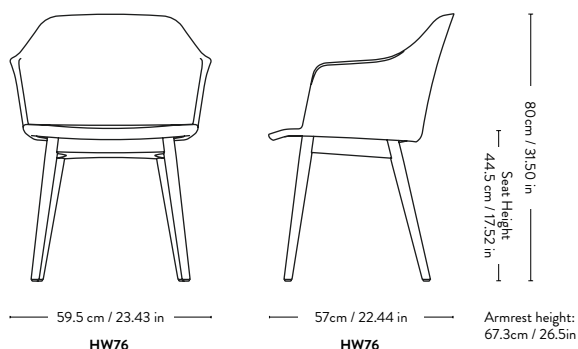


Made using FSC® certified wood, supporting responsible environmental, social and economical management of the world's forests. Visit www.fsc.org

Material: Shell made from 100% recycled polypropylene with fiber glass. Water based lacquered oak or walnut base.

*Available while stock lasts

Plastic gliders installed as standard. Felt gliders available upon request.



Rely HW77

Hee Welling

2022



Fabric gr.	Shell	Seat Cushion Upholstery	Base	Lead time	Weight	PRICE EX. VAT (SEK)	PRICE INC. VAT (SEK)
Fabric gr. 1	Plastic	Grain, Hot Madison, Remix, Re-Wool	Oak Walnut	6-8 weeks	8.20 kg	4.532 4.888	5.665 6.110
Fabric gr. 2	Plastic	Asator, Barnum, Canvas, Fiord	Oak Walnut	6-8 weeks	8.20 kg	4.888 5.248	6.110 6.560
Fabric gr. 3	Plastic	Clay, Hallingdal, Mylla, Steelcut Quartet, Steelcut Trio	Oak Walnut	6-8 weeks	8.20 kg	5.008 5.368	6.260 6.710
Fabric gr. 4	Plastic	Acca, Cifrado, Ecriture, Moss, Vidar	Oak Walnut	6-8 weeks	8.20 kg	5.368 5.724	6.710 7.155
Fabric gr. 5	Plastic	Gentle, Karakorom, Sisu	Oak Walnut	6-8 weeks	8.20 kg	5.844 6.204	7.305 7.755
Fabric gr. 6	Plastic	Fuse, Tiger Mountain**	Oak Walnut	6-8 weeks	8.20 kg	6.440 6.800	8.050 8.500
Leather	Plastic	Tailor Semi-aniline leather	Oak Walnut	6-8 weeks	8.20 kg	5.008 5.368	6.260 6.710
Leather	Plastic	Noble Aniline leather	Oak Walnut	6-8 weeks	8.20 kg	5.368 5.724	6.710 7.155
Leather	Plastic	Elmosoft Semi-aniline leather	Oak Walnut	6-8 weeks	8.20 kg	5.604 6.084	7.005 7.605
COM	Plastic	Fabric	Oak Walnut	6-8 weeks	8.20 kg	4.532 4.888	5.665 6.110

Product no.	Product	Variant	Lead time	PRICE EX. VAT (SEK)	PRICE INC. VAT (SEK)
145307	Plastic gliders for Drawn, Elefy w. wood base, Rely w. tube (ex. stacking) & wood base, Muno, and Meantime Lounge Chairs, 4 pcs	Black	Stock item	88	110
145308	Felt gliders for Drawn, Elefy w. wood base, Rely w. tube (ex. stacking) & wood base, Muno, and Meantime Lounge Chairs, 4 pcs	Black	Stock item	88	110

** Please be aware that the placement of the pattern may vary from piece to piece due to optimal usage of fabric when cutting. Patterns may not align at seams or edges



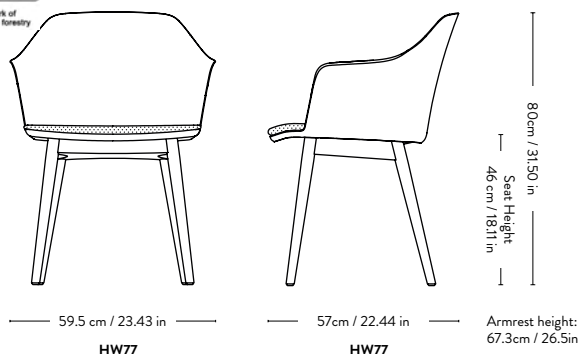
EU Ecolabel certified, validating high standards of durability, circular design, and responsible use of chemicals. Please contact our sales team for a list of EU Ecolabel compliant combinations.

EU Ecolabel - 08/049/039



Made using FSC® certified wood, supporting responsible environmental, social and economical management of the world's forests. Visit www.fsc.org

The mark of responsible forestry



Plastic shell variants

Black, White, Beige Sand, Red Brown, Light Blue, Stone Grey, Vermilion Red*, Bronze Green, Soft Pink*

Material: Shell made from 100% recycled polypropylene with fiber glass, seat covered in HR foam with fabric or leather upholstery. Water based lacquered oak or walnut base.

*Available while stock lasts

Plastic gliders installed as standard. Felt gliders available upon request.

Fabric usage: 0.8 meter based on a 140 cm roll.
Leather usage: 1 square meter based on a yield of 60% pr hide.

COM must be approved by &Tradition to ensure suitability for upholstery.

Rely HW78

Hee Welling

2022



Fabric gr.	Upholstery	Base	Lead time	Weight	PRICE EX. VAT (SEK)	PRICE INC. VAT (SEK)
Fabric gr. 1	Grain, Hot Madison, Remix, Re-Wool	Oak Walnut	6-8 weeks	7.70 kg	5.724 6.084	7.155 7.605
Fabric gr. 2	Asator, Barnum, Canvas, Fiord	Oak Walnut	6-8 weeks	7.70 kg	6.440 6.800	8.050 8.500
Fabric gr. 3	Clay, Hallingdal, Mylla, Steelcut Quartet, Steelcut Trio	Oak Walnut	6-8 weeks	7.70 kg	6.680 7.040	8.350 8.800
Fabric gr. 4	Acca, Cifrado, Ecriture, Moss, Vidar	Oak Walnut	6-8 weeks	7.70 kg	7.396 7.756	9.245 9.695
Fabric gr. 5	Gentle, Karakorum, Sisu	Oak Walnut	6-8 weeks	7.70 kg	8.828 9.188	11.035 11.485
Fabric gr. 6	Fuse, Tiger Mountain**	Oak Walnut	6-8 weeks	7.70 kg	9.664 10.144	12.080 12.680
Leather	Tailor Semi-aniline leather	Oak Walnut	6-8 weeks	7.70 kg	7.756 8.112	9.695 10.140
Leather	Noble Aniline leather	Oak Walnut	6-8 weeks	7.70 kg	9.188 9.548	11.485 11.935
Leather	Elmosoft Semi-aniline leather	Oak Walnut	6-8 weeks	7.70 kg	10.024 10.384	12.530 12.980
COM	Fabric	Oak Walnut	6-8 weeks	7.70 kg	5.724 6.084	7.155 7.605

Product no.	Product	Variant	Lead time	PRICE EX. VAT (SEK)	PRICE INC. VAT (SEK)
145307	Plastic gliders for Drawn, Elefy w. wood base, Rely w. tube (ex. stacking) & wood base, Muno, and Meantime Lounge Chairs, 4 pcs	Black	Stock item	88	110
145308	Felt gliders for Drawn, Elefy w. wood base, Rely w. tube (ex. stacking) & wood base, Muno, and Meantime Lounge Chairs, 4 pcs	Black	Stock item	88	110

** Please be aware that the placement of the pattern may vary from piece to piece due to optimal usage of fabric when cutting. Patterns may not align at seams or edges

Material: Shell made from 100% recycled polypropylene with fiber glass, covered with HR foam with fabric or leather upholstery. Water based lacquered oak or walnut base.



EU Ecolabel certified, validating high standards of durability, circular design, and responsible use of chemicals. Please contact our sales team for a list of EU Ecolabel compliant combinations.

Plastic gliders installed as standard. Felt gliders available upon request.

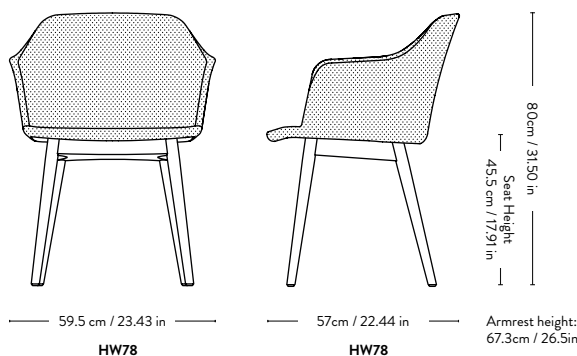
Fabric usage: 1.5 meters based on 140cm roll.

Leather usage: 2.8 square meters based on a yield of 60% pr hide.



Made using FSC® certified wood, supporting responsible environmental, social and economical management of the world's forests. Visit www.fsc.org

COM must be approved by &Tradition to ensure suitability for upholstery.



Rely HW79

Hee Welling

2022



Fabric gr.	Upholstery	Base	Lead time	Weight	PRICE EX. VAT (SEK)	PRICE INC. VAT (SEK)
Fabric gr. 1	Grain, Hot Madison, Remix, Re-Wool	Oak	6-8 weeks	8.00 kg	6.084	7.605
		Walnut			6.440	8.050
Fabric gr. 2	Asator, Barnum, Canvas, Fiord	Oak	6-8 weeks	8.00 kg	6.800	8.500
		Walnut			7.160	8.950
Fabric gr. 3	Clay, Hallingdal, Mylla, Steelcut Quartet, Steelcut Trio	Oak	6-8 weeks	8.00 kg	7.040	8.800
		Walnut			7.396	9.245
Fabric gr. 4	Acca, Cifrado, Ecriture, Moss, Vidar	Oak	6-8 weeks	8.00 kg	7.756	9.695
		Walnut			8.112	10.140
Fabric gr. 5	Gentle, Karakorum, Sisu	Oak	6-8 weeks	8.00 kg	9.188	11.485
		Walnut			9.548	11.935
Fabric gr. 6	Fuse, Tiger Mountain**	Oak	6-8 weeks	8.00 kg	10.144	12.680
		Walnut			10.500	13.125
Leather	Tailor Semi-aniline leather	Oak	6-8 weeks	8.00 kg	8.112	10.140
		Walnut			8.472	10.590
Leather	Noble Aniline leather	Oak	6-8 weeks	8.00 kg	9.548	11.935
		Walnut			9.904	12.380
Leather	Elmosoft Semi-aniline leather	Oak	6-8 weeks	8.00 kg	10.620	13.275
		Walnut			10.980	13.725
COM	Fabric	Oak	6-8 weeks	8.00 kg	6.084	7.605
		Walnut			6.440	8.050

Product no.	Product	Variant	Lead time	PRICE EX. VAT (SEK)	PRICE INC. VAT (SEK)
145307	Plastic gliders for Drawn, Elefy w. wood base, Rely w. tube (ex. stacking) & wood base, Muno, and Meantime Lounge Chairs, 4 pcs	Black	Stock item	88	110
145308	Felt gliders for Drawn, Elefy w. wood base, Rely w. tube (ex. stacking) & wood base, Muno, and Meantime Lounge Chairs, 4 pcs	Black	Stock item	88	110

** Please be aware that the placement of the pattern may vary from piece to piece due to optimal usage of fabric when cutting. Patterns may not align at seams or edges



EU Ecolabel certified, validating high standards of durability, circular design, and responsible use of chemicals. Please contact our sales team for a list of EU Ecolabel compliant combinations.



Made using FSC® certified wood, supporting responsible environmental, social and economical management of the world's forests. Visit www.fsc.org

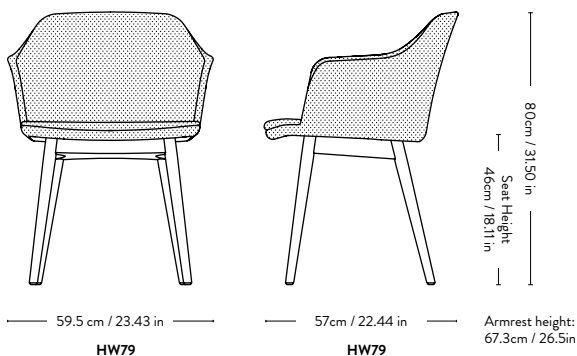
Material: Shell made from 100% recycled polypropylene with fiber glass, covered with HR foam with fabric or leather upholstery. Water based lacquered oak or walnut base.

Plastic gliders installed as standard. Felt gliders available upon request.

Fabric usage: 1.5 meters based on 140cm roll.

Leather usage: 2.8 square meters based on a yield of 60% pr hide.

COM must be approved by &Tradition to ensure suitability for upholstery.



Rely HW81 Hee Welling 2022



Shell Variant	Base	Colli qty.	Lead time	Weight	PRICE EX. VAT (SEK)	PRICE INC. VAT (SEK)
Black	Black, Bronzed	1 pc	2-3 weeks	5.30 kg	2.740	3.425
White	Black, Bronzed	1 pc	2-3 weeks	5.30 kg	2.740	3.425
Beige Sand	Black, Bronzed	1 pc	2-3 weeks	5.30 kg	2.740	3.425
Red Brown	Black, Bronzed	1 pc	2-3 weeks	5.30 kg	2.740	3.425
Light Blue	Black, Bronzed	1 pc	2-3 weeks	5.30 kg	2.740	3.425
Stone Grey	Black, Bronzed	1 pc	2-3 weeks	5.30 kg	2.740	3.425

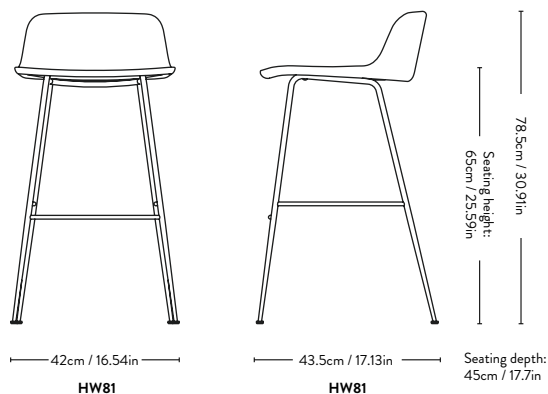
Product no.	Product	Variant	Lead time	PRICE EX. VAT (SEK)	PRICE INC. VAT (SEK)
145307	Plastic gliders for Drawn, Elefy w. wood base, Rely w. tube (ex. stacking) & wood base, Muno, and Meantime Lounge Chairs, 4 pcs	Black	Stock item	88	110
145308	Felt gliders for Drawn, Elefy w. wood base, Rely w. tube (ex. stacking) & wood base, Muno, and Meantime Lounge Chairs, 4 pcs	Black	Stock item	88	110



EU Ecolabel certified, validating high standards of durability, circular design, and responsible use of chemicals. Please contact our sales team for a list of EU Ecolabel compliant combinations.

Material: Shell made from 100% recycled polypropylene with fiber glass and a steel tube base.

Plastic gliders installed as standard. Felt gliders available upon request.



Rely HW82

Hee Welling

2022



Fabric gr.	Shell	Seat Cushion Upholstery	Base	Lead time	Weight	PRICE EX. VAT (SEK)	PRICE INC. VAT (SEK)
Fabric gr. 1	Plastic	Grain, Hot Madison, Remix, Re-Wool	Black, Bronzed	4-6 weeks	6.00 kg	3.936	4.920
Fabric gr. 2	Plastic	Asator, Barnum, Canvas, Fiord	Black, Bronzed	4-6 weeks	6.00 kg	4.292	5.365
Fabric gr. 3	Plastic	Clay, Hallingdal, Mylla, Steelcut Quartet, Steelcut Trio	Black, Bronzed	4-6 weeks	6.00 kg	4.412	5.515
Fabric gr. 4	Plastic	Acca, Beda, Cifrado, Ecriture, Moss, Vidar	Black, Bronzed	4-6 weeks	6.00 kg	4.772	5.965
Fabric gr. 5	Plastic	Gentle, Karakorum, Sisu	Black, Bronzed	4-6 weeks	6.00 kg	5.248	6.560
Fabric gr. 6	Plastic	Fuse, Tiger Mountain**	Black, Bronzed	4-6 weeks	6.00 kg	5.724	7.155
Leather	Plastic	Tailor Semi-aniline leather	Black, Bronzed	4-6 weeks	6.00 kg	4.412	5.515
Leather	Plastic	Noble Aniline leather	Black, Bronzed	4-6 weeks	6.00 kg	4.772	5.965
Leather	Plastic	Elmosoft Semi-aniline leather	Black, Bronzed	4-6 weeks	6.00 kg	5.128	6.410
COM	Plastic	Fabric	Black, Bronzed	4-6 weeks	6.00 kg	3.936	4.920

Product no.	Product	Variant	Lead time	PRICE EX. VAT (SEK)	PRICE INC. VAT (SEK)
145307	Plastic gliders for Drawn, Elefy w. wood base, Rely w. tube (ex. stacking) & wood base, Muno, and Meantime Lounge Chairs, 4 pcs	Black	Stock item	88	110
145308	Felt gliders for Drawn, Elefy w. wood base, Rely w. tube (ex. stacking) & wood base, Muno, and Meantime Lounge Chairs, 4 pcs	Black	Stock item	88	110

** Please be aware that the placement of the pattern may vary from piece to piece due to optimal usage of fabric when cutting. Patterns may not align at seams or edges



EU Ecolabel certified, validating high standards of durability, circular design, and responsible use of chemicals. Please contact our sales team for a list of EU Ecolabel compliant combinations.



Made using FSC® certified wood, supporting responsible environmental, social and economical management of the world's forests. Visit www.fsc.org

Plastic shell variants

Black, White, Beige Sand, Red Brown, Light Blue, Stone Grey

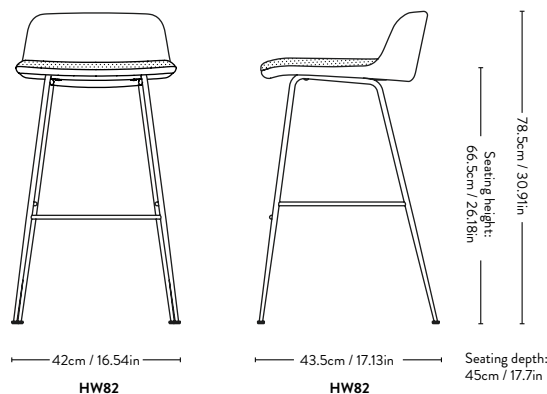
Material: Shell made from 100% recycled polypropylene with fiber glass, HR foam seat covered with fabric or leather upholstery, steel tube base.

Plastic gliders installed as standard. Felt gliders available upon request.

Fabric usage: 0.7 meter based on a 140 cm roll.

Leather usage: 1 square meter based on a yield of 60% pr hide.

COM must be approved by &Tradition to ensure suitability for upholstery.



Rely HW83

Hee Welling

2022



Fabric gr.	Upholstery	Base	Lead time	Weight	PRICE EX. VAT (SEK)	PRICE INC. VAT (SEK)
Fabric gr. 1	Grain, Hot Madison, Remix, Re-Wool	Black, Bronzed	4-6 weeks	5.60 kg	4.772	5.965
Fabric gr. 2	Asator, Barnum, Canvas, Fiord	Black, Bronzed	4-6 weeks	5.60 kg	5.488	6.860
Fabric gr. 3	Clay, Hallingdal, Mylla, Steelcut Quartet, Steelcut Trio	Black, Bronzed	4-6 weeks	5.60 kg	5.724	7.155
Fabric gr. 4	Acca, Beda, Cifrado, Ecriture, Moss, Vidar	Black, Bronzed	4-6 weeks	5.60 kg	6.324	7.905
Fabric gr. 5	Gentle, Karakorum, Sisu	Black, Bronzed	4-6 weeks	5.60 kg	7.756	9.695
Fabric gr. 6	Fuse, Tiger Mountain**	Black, Bronzed	4-6 weeks	5.60 kg	8.472	10.590
Leather	Tailor Semi-aniline leather	Black, Bronzed	4-6 weeks	5.60 kg	6.680	8.350
Leather	Noble Aniline leather	Black, Bronzed	4-6 weeks	5.60 kg	7.040	8.800
Leather	Elmosoft Semi-aniline leather	Black, Bronzed	4-6 weeks	5.60 kg	7.636	9.545
COM	Fabric	Black, Bronzed	4-6 weeks	5.60 kg	4.772	5.965

Product no.	Product	Variant	Lead time	PRICE EX. VAT (SEK)	PRICE INC. VAT (SEK)
145307	Plastic gliders for Drawn, Elefy w. wood base, Rely w. tube (ex. stacking) & wood base, Muno, and Meantime Lounge Chairs, 4 pcs	Black	Stock item	88	110
145308	Felt gliders for Drawn, Elefy w. wood base, Rely w. tube (ex. stacking) & wood base, Muno, and Meantime Lounge Chairs, 4 pcs	Black	Stock item	88	110

** Please be aware that the placement of the pattern may vary from piece to piece due to optimal usage of fabric when cutting. Patterns may not align at seams or edges



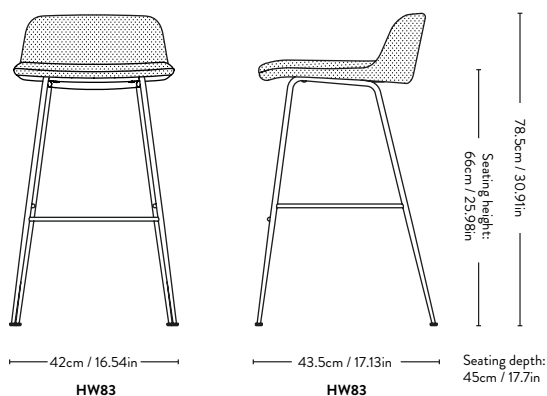
EU Ecolabel certified, validating high standards of durability, circular design, and responsible use of chemicals. Please contact our sales team for a list of EU Ecolabel compliant combinations.

Material: Shell made from 100% recycled polypropylene with fiber glass, covered with HR foam with fabric or leather upholstery, steel tube base.

Plastic gliders installed as standard. Felt gliders available upon request.

Fabric usage: 0.9 meters based on 140cm roll.
Leather usage: 1.7 square meters based on a yield of 60% pr hide.

COM must be approved by &Tradition to ensure suitability for upholstery.



Rely HW84

Hee Welling

2022



Fabric gr.	Upholstery	Base	Lead time	Weight	PRICE EX. VAT (SEK)	PRICE INC. VAT (SEK)
Fabric gr. 1	Grain, Hot Madison, Remix, Re-Wool	Black, Bronzed	4-6 weeks	6.20 kg	5.008	6.260
Fabric gr. 2	Asator, Barnum, Canvas, Fiord	Black, Bronzed	4-6 weeks	6.20 kg	5.724	7.155
Fabric gr. 3	Clay, Hallingdal, Mylla, Steelcut Quartet, Steelcut Trio	Black, Bronzed	4-6 weeks	6.20 kg	5.964	7.455
Fabric gr. 4	Acca, Beda, Cifrado, Ecriture, Moss, Vidar	Black, Bronzed	4-6 weeks	6.20 kg	6.560	8.200
Fabric gr. 5	Gentle, Karakorum, Sisu	Black, Bronzed	4-6 weeks	6.20 kg	7.996	9.995
Fabric gr. 6	Fuse, Tiger Mountain**	Black, Bronzed	4-6 weeks	6.20 kg	8.828	11.035
Leather	Tailor Semi-aniline leather	Black, Bronzed	4-6 weeks	6.20 kg	6.920	8.650
Leather	Noble Aniline leather	Black, Bronzed	4-6 weeks	6.20 kg	7.276	9.095
Leather	Elmosoft Semi-aniline leather	Black, Bronzed	4-6 weeks	6.20 kg	7.996	9.995
COM	Fabric	Black, Bronzed	4-6 weeks	6.20 kg	5.008	6.260

Product no.	Product	Variant	Lead time	PRICE EX. VAT (SEK)	PRICE INC. VAT (SEK)
145307	Plastic gliders for Drawn, Elefy w. wood base, Rely w. tube (ex. stacking) & wood base, Muno, and Meantime Lounge Chairs, 4 pcs	Black	Stock item	88	110
145308	Felt gliders for Drawn, Elefy w. wood base, Rely w. tube (ex. stacking) & wood base, Muno, and Meantime Lounge Chairs, 4 pcs	Black	Stock item	88	110

** Please be aware that the placement of the pattern may vary from piece to piece due to optimal usage of fabric when cutting. Patterns may not align at seams or edges



EU Ecolabel certified, validating high standards of durability, circular design, and responsible use of chemicals. Please contact our sales team for a list of EU Ecolabel compliant combinations.



Made using FSC® certified wood, supporting responsible environmental, social and economical management of the world's forests. Visit www.fsc.org

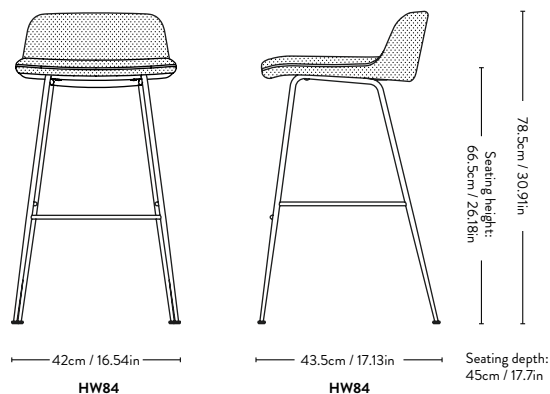
Material: Shell made from 100% recycled polypropylene with fiber glass, covered with HR foam with fabric or leather upholstery, steel tube base.

Plastic gliders installed as standard. Felt gliders available upon request.

Fabric usage: 0.9 meters based on a 140cm roll.

Leather usage: 1.7 square meters based on a yield of 60% pr hide.

COM must be approved by &Tradition to ensure suitability for upholstery.



Rely ^{HW86} Hee Welling 2022



Shell Variant	Base	Colli qty.	Lead time	Weight	PRICE EX. VAT (SEK)	PRICE INC. VAT (SEK)
Black	Black, Bronzed	1 pc	2-3 weeks	5.50 kg	2.740	3.425
White	Black, Bronzed	1 pc	2-3 weeks	5.50 kg	2.740	3.425
Beige Sand	Black, Bronzed	1 pc	2-3 weeks	5.50 kg	2.740	3.425
Red Brown	Black, Bronzed	1 pc	2-3 weeks	5.50 kg	2.740	3.425
Light Blue	Black, Bronzed	1 pc	2-3 weeks	5.50 kg	2.740	3.425
Stone Grey	Black, Bronzed	1 pc	2-3 weeks	5.50 kg	2.740	3.425

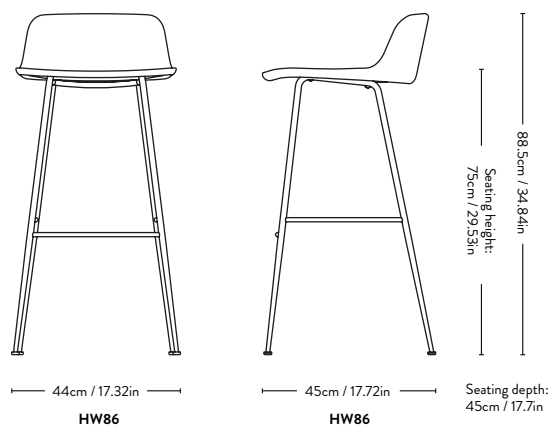
Product no.	Product	Variant	Lead time	PRICE EX. VAT (SEK)	PRICE INC. VAT (SEK)
145307	Plastic gliders for Drawn, Elefy w. wood base, Rely w. tube (ex. stacking) & wood base, Muno, and Meantime Lounge Chairs, 4 pcs	Black	Stock item	88	110
145308	Felt gliders for Drawn, Elefy w. wood base, Rely w. tube (ex. stacking) & wood base, Muno, and Meantime Lounge Chairs, 4 pcs	Black	Stock item	88	110



EU Ecolabel certified, validating high standards of durability, circular design, and responsible use of chemicals. Please contact our sales team for a list of EU Ecolabel compliant combinations.

Material: Shell made from 100% recycled polypropylene with fiber glass and a steel tube base.

Plastic gliders installed as standard. Felt gliders available upon request.



Rely HW87 Hee Welling 2022



Fabric gr.	Shell	Seat Cushion Upholstery	Base	Lead time	Weight	PRICE EX. VAT (SEK)	PRICE INC. VAT (SEK)
Fabric gr. 1	Plastic	Grain, Hot Madison, Remix, Re-Wool	Black, Bronzed	4-6 weeks	6.30 kg	3.936	4.920
Fabric gr. 2	Plastic	Asator, Barnum, Canvas, Fiord	Black, Bronzed	4-6 weeks	6.30 kg	4.292	5.365
Fabric gr. 3	Plastic	Clay, Hallingdal, Mylla, Steelcut Quartet, Steelcut Trio	Black, Bronzed	4-6 weeks	6.30 kg	4.412	5.515
Fabric gr. 4	Plastic	Acca, Beda, Cifrado, Ecriture, Moss, Vidar	Black, Bronzed	4-6 weeks	6.30 kg	4.772	5.965
Fabric gr. 5	Plastic	Gentle, Karakorum, Sisu	Black, Bronzed	4-6 weeks	6.30 kg	5.248	6.560
Fabric gr. 6	Plastic	Fuse, Tiger Mountain**	Black, Bronzed	4-6 weeks	6.30 kg	5.724	7.155
Leather	Plastic	Tailor Semi-aniline leather	Black, Bronzed	4-6 weeks	6.30 kg	4.412	5.515
Leather	Plastic	Noble Aniline leather	Black, Bronzed	4-6 weeks	6.30 kg	4.772	5.965
Leather	Plastic	Elmosoft Semi-aniline leather	Black, Bronzed	4-6 weeks	6.30 kg	5.128	6.410
COM	Plastic	Fabric	Black, Bronzed	4-6 weeks	6.30 kg	3.936	4.920

Product no.	Product	Variant	Lead time	PRICE EX. VAT (SEK)	PRICE INC. VAT (SEK)
145307	Plastic gliders for Drawn, Elefy w. wood base, Rely w. tube (ex. stacking) & wood base, Muno, and Meantime Lounge Chairs, 4 pcs	Black	Stock item	88	110
145308	Felt gliders for Drawn, Elefy w. wood base, Rely w. tube (ex. stacking) & wood base, Muno, and Meantime Lounge Chairs, 4 pcs	Black	Stock item	88	110

** Please be aware that the placement of the pattern may vary from piece to piece due to optimal usage of fabric when cutting. Patterns may not align at seams or edges



EU Ecolabel certified, validating high standards of durability, circular design, and responsible use of chemicals. Please contact our sales team for a list of EU Ecolabel compliant combinations.

EU Ecolabel : DK/049/019



Made using FSC® certified wood, supporting responsible environmental, social and economical management of the world's forests. Visit www.fsc.org

The mark of responsible forestry

Plastic shell variants

Black, White, Beige Sand, Red Brown, Light Blue, Stone Grey

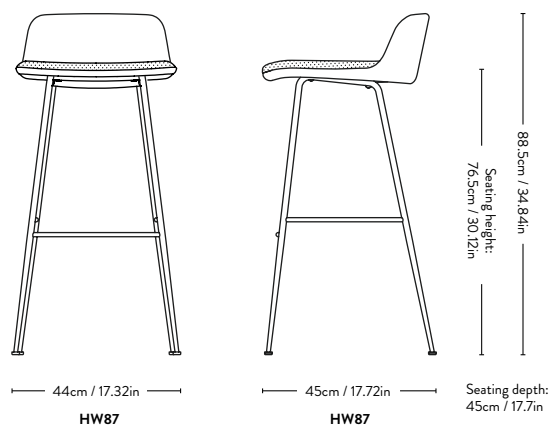
Material: Shell made from 100% recycled polypropylene with fiber glass, HR foam seat covered with fabric or leather upholstery, steel tube base.

Plastic gliders installed as standard.
Felt gliders available upon request.

Fabric usage: 0.7 meter based on a 140 cm roll.

Leather usage: 1 square meter based on a yield of 60% pr hide.

COM must be approved by &Tradition to ensure suitability for upholstery.



Rely HW88

Hee Welling

2022



Fabric gr.	Upholstery	Base	Lead time	Weight	PRICE EX. VAT (SEK)	PRICE INC. VAT (SEK)
Fabric gr. 1	Grain, Hot Madison, Remix, Re-Wool	Black, Bronzed	4-6 weeks	5.80 kg	4.772	5.965
Fabric gr. 2	Asator, Barnum, Canvas, Fiord	Black, Bronzed	4-6 weeks	5.80 kg	5.488	6.860
Fabric gr. 3	Clay, Hallingdal, Mylla, Steelcut Quartet, Steelcut Trio	Black, Bronzed	4-6 weeks	5.80 kg	5.724	7.155
Fabric gr. 4	Acca, Beda, Cifrado, Ecriture, Moss, Vidar	Black, Bronzed	4-6 weeks	5.80 kg	6.324	7.905
Fabric gr. 5	Gentle, Karakorum, Sisu	Black, Bronzed	4-6 weeks	5.80 kg	7.756	9.695
Fabric gr. 6	Fuse, Tiger Mountain**	Black, Bronzed	4-6 weeks	5.80 kg	8.472	10.590
Leather	Tailor Semi-aniline leather	Black, Bronzed	4-6 weeks	5.80 kg	6.680	8.350
Leather	Noble Aniline leather	Black, Bronzed	4-6 weeks	5.80 kg	7.040	8.800
Leather	Elmosoft Semi-aniline leather	Black, Bronzed	4-6 weeks	5.80 kg	7.636	9.545
COM	Fabric	Black, Bronzed	4-6 weeks	5.80 kg	4.772	5.965

Product no.	Product	Variant	Lead time	PRICE EX. VAT (SEK)	PRICE INC. VAT (SEK)
145307	Plastic gliders for Drawn, Elefy w. wood base, Rely w. tube (ex. stacking) & wood base, Muno, and Meantime Lounge Chairs, 4 pcs	Black	Stock item	88	110
145308	Felt gliders for Drawn, Elefy w. wood base, Rely w. tube (ex. stacking) & wood base, Muno, and Meantime Lounge Chairs, 4 pcs	Black	Stock item	88	110

** Please be aware that the placement of the pattern may vary from piece to piece due to optimal usage of fabric when cutting. Patterns may not align at seams or edges

Material: Shell made from 100% recycled polypropylene with fiber glass, covered with HR foam with fabric or leather upholstery, steel tube base.



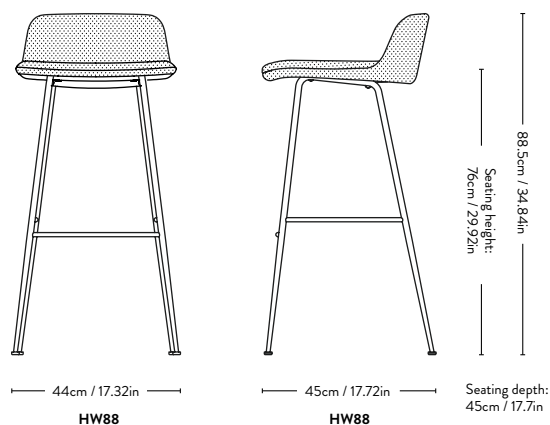
EU Ecolabel certified, validating high standards of durability, circular design, and responsible use of chemicals. Please contact our sales team for a list of EU Ecolabel compliant combinations.

Plastic gliders installed as standard. Felt gliders available upon request.

Fabric usage: 0.9 meters based on 140cm roll.

Leather usage: 1.7 square meters based on a yield of 60% pr hide.

COM must be approved by &Tradition to ensure suitability for upholstery.



Rely HW89

Hee Welling

2022



Fabric gr.	Upholstery	Base	Lead time	Weight	PRICE EX. VAT (SEK)	PRICE INC. VAT (SEK)
Fabric gr. 1	Grain, Hot Madison, Remix, Re-Wool	Black, Bronzed	4-6 weeks	6.50 kg	5.008	6.260
Fabric gr. 2	Asator, Barnum, Canvas, Fiord	Black, Bronzed	4-6 weeks	6.50 kg	5.724	7.155
Fabric gr. 3	Clay, Hallingdal, Mylla, Steelcut Quartet, Steelcut Trio	Black, Bronzed	4-6 weeks	6.50 kg	5.964	7.455
Fabric gr. 4	Acca, Beda, Cifrado, Ecriture, Moss, Vidar	Black, Bronzed	4-6 weeks	6.50 kg	6.560	8.200
Fabric gr. 5	Gentle, Karakorum, Sisu	Black, Bronzed	4-6 weeks	6.50 kg	7.996	9.995
Fabric gr. 6	Fuse, Tiger Mountain**	Black, Bronzed	4-6 weeks	6.50 kg	8.828	11.035
Leather	Tailor Semi-aniline leather	Black, Bronzed	4-6 weeks	6.50 kg	6.920	8.650
Leather	Noble Aniline leather	Black, Bronzed	4-6 weeks	6.50 kg	7.276	9.095
Leather	Elmosoft Semi-aniline leather	Black, Bronzed	4-6 weeks	6.50 kg	7.996	9.995
COM	Fabric	Black, Bronzed	4-6 weeks	6.50 kg	5.008	6.260

Product no.	Product	Variant	Lead time	PRICE EX. VAT (SEK)	PRICE INC. VAT (SEK)
145307	Plastic gliders for Drawn, Elefy w. wood base, Rely w. tube (ex. stacking) & wood base, Muno, and Meantime Lounge Chairs, 4 pcs	Black	Stock item	88	110
145308	Felt gliders for Drawn, Elefy w. wood base, Rely w. tube (ex. stacking) & wood base, Muno, and Meantime Lounge Chairs, 4 pcs	Black	Stock item	88	110

** Please be aware that the placement of the pattern may vary from piece to piece due to optimal usage of fabric when cutting. Patterns may not align at seams or edges

Material: Shell made from 100% recycled polypropylene with fiber glass, covered with HR foam with fabric or leather upholstery, steel tube base.



EU Ecolabel certified, validating high standards of durability, circular design, and responsible use of chemicals. Please contact our sales team for a list of EU Ecolabel compliant combinations.

Plastic gliders installed as standard. Felt gliders available upon request.

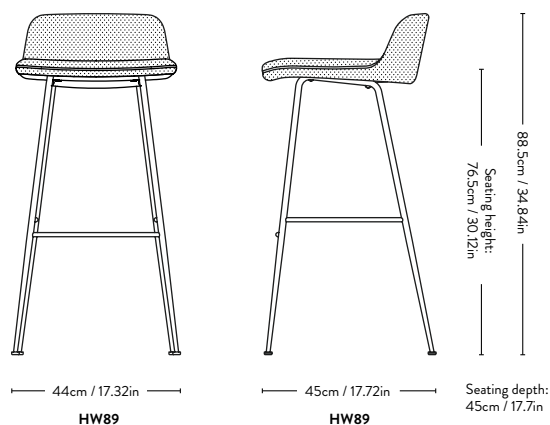
Fabric usage: 0.9 meters based on a 140cm roll.

Leather usage: 1.7 square meters based on a yield of 60% pr hide.



Made using FSC® certified wood, supporting responsible environmental, social and economical management of the world's forests. Visit www.fsc.org

COM must be approved by &Tradition to ensure suitability for upholstery.



Rely HW91 Hee Welling 2022



Shell Variant	Base	Colli qty.	Lead time	Weight	PRICE EX. VAT (SEK)	PRICE INC. VAT (SEK)
Black	Black, Bronzed	1 pc	2-3 weeks	7.10 kg	2.980	3.725
White	Black, Bronzed	1 pc	2-3 weeks	7.10 kg	2.980	3.725
Beige Sand	Black, Bronzed	1 pc	2-3 weeks	7.10 kg	2.980	3.725
Red Brown	Black, Bronzed	1 pc	2-3 weeks	7.10 kg	2.980	3.725
Light Blue	Black, Bronzed	1 pc	2-3 weeks	7.10 kg	2.980	3.725
Stone Grey	Black, Bronzed	1 pc	2-3 weeks	7.10 kg	2.980	3.725

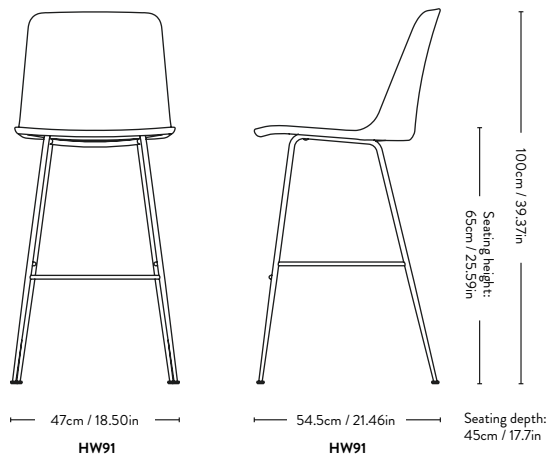
Product no.	Product	Variant	Lead time	PRICE EX. VAT (SEK)	PRICE INC. VAT (SEK)
145307	Plastic gliders for Drawn, Elefy w. wood base, Rely w. tube (ex. stacking) & wood base, Muno, and Meantime Lounge Chairs, 4 pcs	Black	Stock item	88	110
145308	Felt gliders for Drawn, Elefy w. wood base, Rely w. tube (ex. stacking) & wood base, Muno, and Meantime Lounge Chairs, 4 pcs	Black	Stock item	88	110



EU Ecolabel certified, validating high standards of durability, circular design, and responsible use of chemicals. Please contact our sales team for a list of EU Ecolabel compliant combinations.

Material: Shell made from 100% recycled polypropylene with fiber glass and a steel tube base.

Plastic gliders installed as standard. Felt gliders available upon request.



Rely ^{HW92} Hee Welling 2022



Fabric gr.	Shell	Seat Cushion Upholstery	Base	Lead time	Weight	PRICE EX. VAT (SEK)	PRICE INC. VAT (SEK)
Fabric gr. 1	Plastic	Grain, Hot Madison, Remix, Re-Wool	Black, Bronzed	4-6 weeks	7.90 kg	4.172	5.215
Fabric gr. 2	Plastic	Asator, Barnum, Canvas, Fiord	Black, Bronzed	4-6 weeks	7.90 kg	4.532	5.665
Fabric gr. 3	Plastic	Clay, Hallingdal, Mylla, Steelcut Quartet, Steelcut Trio	Black, Bronzed	4-6 weeks	7.90 kg	4.652	5.815
Fabric gr. 4	Plastic	Acca, Beda, Cifrado, Ecriture, Moss, Vidar	Black, Bronzed	4-6 weeks	7.90 kg	5.008	6.260
Fabric gr. 5	Plastic	Gentle, Karakorum, Sisu	Black, Bronzed	4-6 weeks	7.90 kg	5.488	6.860
Fabric gr. 6	Plastic	Fuse, Tiger Mountain**	Black, Bronzed	4-6 weeks	7.90 kg	6.084	7.605
Leather	Plastic	Tailor Semi-aniline leather	Black, Bronzed	4-6 weeks	7.90 kg	4.652	5.815
Leather	Plastic	Noble Aniline leather	Black, Bronzed	4-6 weeks	7.90 kg	5.008	6.260
Leather	Plastic	Elmosoft Semi-aniline leather	Black, Bronzed	4-6 weeks	7.90 kg	5.368	6.710
COM	Plastic	Fabric	Black, Bronzed	4-6 weeks	7.90 kg	4.172	5.215

Product no.	Product	Variant	Lead time	PRICE EX. VAT (SEK)	PRICE INC. VAT (SEK)
145307	Plastic gliders for Drawn, Elefy w. wood base, Rely w. tube (ex. stacking) & wood base, Muno, and Meantime Lounge Chairs, 4 pcs	Black	Stock item	88	110
145308	Felt gliders for Drawn, Elefy w. wood base, Rely w. tube (ex. stacking) & wood base, Muno, and Meantime Lounge Chairs, 4 pcs	Black	Stock item	88	110

** Please be aware that the placement of the pattern may vary from piece to piece due to optimal usage of fabric when cutting. Patterns may not align at seams or edges



EU Ecolabel certified, validating high standards of durability, circular design, and responsible use of chemicals. Please contact our sales team for a list of EU Ecolabel compliant combinations.



Made using FSC® certified wood, supporting responsible environmental, social and economical management of the world's forests. Visit www.fsc.org

Plastic shell variants

Black, White, Beige Sand, Red Brown, Light Blue, Stone Grey

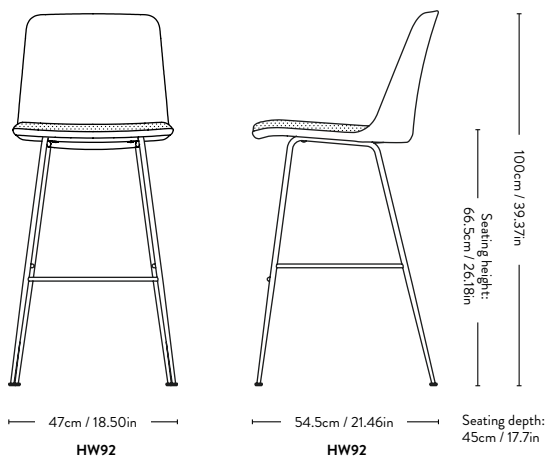
Material: Shell made from 100% recycled polypropylene with fiber glass, HR foam seat covered with fabric or leather upholstery, steel tube base.

Plastic gliders installed as standard. Felt gliders available upon request.

Fabric usage: 0.8 meter based on a 140 cm roll.

Leather usage: 1 square meter based on a yield of 60% pr hide.

COM must be approved by &Tradition to ensure suitability for upholstery.



Rely HW93 Hee Welling 2022



Fabric gr.	Upholstery	Base	Lead time	Weight	PRICE EX. VAT (SEK)	PRICE INC. VAT (SEK)
Fabric gr. 1	Grain, Hot Madison, Remix, Re-Wool	Black, Bronzed	4-6 weeks	7.60 kg	5.128	6.410
Fabric gr. 2	Asator, Barnum, Canvas, Fiord	Black, Bronzed	4-6 weeks	7.60 kg	5.844	7.305
Fabric gr. 3	Clay, Hallingdal, Mylla, Steelcut Quartet, Steelcut Trio	Black, Bronzed	4-6 weeks	7.60 kg	6.084	7.605
Fabric gr. 4	Acca, Beda, Cifrado, Ecriture, Moss, Vidar	Black, Bronzed	4-6 weeks	7.60 kg	6.680	8.350
Fabric gr. 5	Gentle, Karakorum, Sisu	Black, Bronzed	4-6 weeks	7.60 kg	8.112	10.140
Fabric gr. 6	Fuse, Tiger Mountain**	Black, Bronzed	4-6 weeks	7.60 kg	8.948	11.185
Leather	Tailor Semi-aniline leather	Black, Bronzed	4-6 weeks	7.60 kg	7.040	8.800
Leather	Noble Aniline leather	Black, Bronzed	4-6 weeks	7.60 kg	7.396	9.245
Leather	Elmosoft Semi-aniline leather	Black, Bronzed	4-6 weeks	7.60 kg	7.996	9.995
COM	Fabric	Black, Bronzed	4-6 weeks	7.60 kg	5.128	6.410

Product no.	Product	Variant	Lead time	PRICE EX. VAT (SEK)	PRICE INC. VAT (SEK)
145307	Plastic gliders for Drawn, Elefy w. wood base, Rely w. tube (ex. stacking) & wood base, Muno, and Meantime Lounge Chairs, 4 pcs	Black	Stock item	88	110
145308	Felt gliders for Drawn, Elefy w. wood base, Rely w. tube (ex. stacking) & wood base, Muno, and Meantime Lounge Chairs, 4 pcs	Black	Stock item	88	110

** Please be aware that the placement of the pattern may vary from piece to piece due to optimal usage of fabric when cutting. Patterns may not align at seams or edges



EU Ecolabel certified, validating high standards of durability, circular design, and responsible use of chemicals. Please contact our sales team for a list of EU Ecolabel compliant combinations.

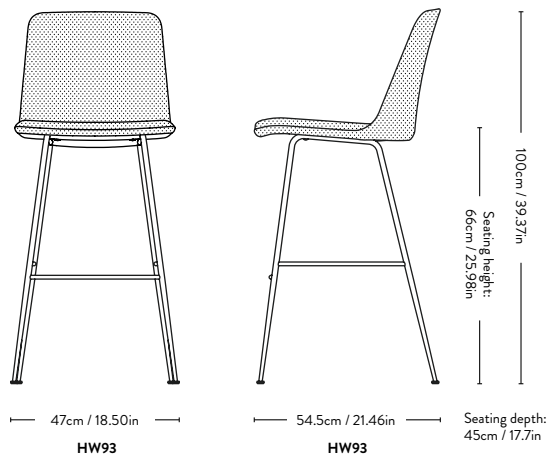
Material: Shell made from 100% recycled polypropylene with fiber glass, covered with HR foam with fabric or leather upholstery, steel tube base.

Plastic gliders installed as standard.
Felt gliders available upon request.

Fabric usage: 1.4 meters based on a 140cm roll.

Leather usage: 1.7 square meters based on a yield of 60% pr hide.

COM must be approved by &Tradition to ensure suitability for upholstery.



Rely HW94

Hee Welling

2022



Fabric gr.	Upholstery	Base	Lead time	Weight	PRICE EX. VAT (SEK)	PRICE INC. VAT (SEK)
Fabric gr. 1	Grain, Hot Madison, Remix, Re-Wool	Black, Bronzed	4-6 weeks	8.70 kg	5.368	6.710
Fabric gr. 2	Asator, Barnum, Canvas, Fiord	Black, Bronzed	4-6 weeks	8.70 kg	6.084	7.605
Fabric gr. 3	Clay, Hallingdal, Mylla, Steelcut Quartet, Steelcut Trio	Black, Bronzed	4-6 weeks	8.70 kg	6.204	7.755
Fabric gr. 4	Acca, Beda, Cifrado, Ecriture, Moss, Vidar	Black, Bronzed	4-6 weeks	8.70 kg	6.920	8.650
Fabric gr. 5	Gentle, Karakorum, Sisu	Black, Bronzed	4-6 weeks	8.70 kg	8.352	10.440
Fabric gr. 6	Fuse, Tiger Mountain**	Black, Bronzed	4-6 weeks	8.70 kg	9.188	11.485
Leather	Tailor Semi-aniline leather	Black, Bronzed	4-6 weeks	8.70 kg	7.276	9.095
Leather	Noble Aniline leather	Black, Bronzed	4-6 weeks	8.70 kg	7.636	9.545
Leather	Elmosoft Semi-aniline leather	Black, Bronzed	4-6 weeks	8.70 kg	8.712	10.890
COM	Fabric	Black, Bronzed	4-6 weeks	8.70 kg	5.368	6.710

Product no.	Product	Variant	Lead time	PRICE EX. VAT (SEK)	PRICE INC. VAT (SEK)
145307	Plastic gliders for Drawn, Elefy w. wood base, Rely w. tube (ex. stacking) & wood base, Muno, and Meantime Lounge Chairs, 4 pcs	Black	Stock item	88	110
145308	Felt gliders for Drawn, Elefy w. wood base, Rely w. tube (ex. stacking) & wood base, Muno, and Meantime Lounge Chairs, 4 pcs	Black	Stock item	88	110

** Please be aware that the placement of the pattern may vary from piece to piece due to optimal usage of fabric when cutting. Patterns may not align at seams or edges

Material: Shell made from 100% recycled polypropylene with fiber glass, covered with HR foam with fabric or leather upholstery, steel tube base.



EU Ecolabel certified, validating high standards of durability, circular design, and responsible use of chemicals. Please contact our sales team for a list of EU Ecolabel compliant combinations.

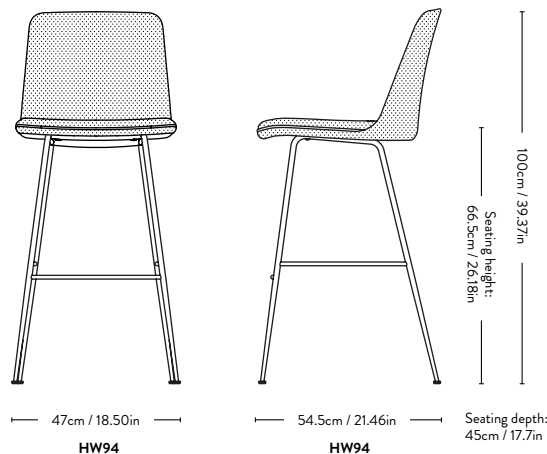
Plastic gliders installed as standard. Felt gliders available upon request.

Fabric usage: 1.4 meters based on a 140cm roll.
Leather usage: 1.7 square meters based on a yield of 60% pr hide.



Made using FSC® certified wood, supporting responsible environmental, social and economical management of the world's forests. Visit www.fsc.org

COM must be approved by &Tradition to ensure suitability for upholstery.



Rely HW96

Hee Welling

2022



Shell Variant	Base	Colli qty.	Lead time	Weight	PRICE EX. VAT (SEK)	PRICE INC. VAT (SEK)
Black	Black, Bronzed	1 pc	2-3 weeks	7.40 kg	2.980	3.725
White	Black, Bronzed	1 pc	2-3 weeks	7.40 kg	2.980	3.725
Beige Sand	Black, Bronzed	1 pc	2-3 weeks	7.40 kg	2.980	3.725
Red Brown	Black, Bronzed	1 pc	2-3 weeks	7.40 kg	2.980	3.725
Light Blue	Black, Bronzed	1 pc	2-3 weeks	7.40 kg	2.980	3.725
Stone Grey	Black, Bronzed	1 pc	2-3 weeks	7.40 kg	2.980	3.725

Product no.	Product	Variant	Lead time	PRICE EX. VAT (SEK)	PRICE INC. VAT (SEK)
145307	Plastic gliders for Drawn, Elefy w. wood base, Rely w. tube (ex. stacking) & wood base, Muno, and Meantime Lounge Chairs, 4 pcs	Black	Stock item	88	110
145308	Felt gliders for Drawn, Elefy w. wood base, Rely w. tube (ex. stacking) & wood base, Muno, and Meantime Lounge Chairs, 4 pcs	Black	Stock item	88	110



EU Ecolabel certified, validating high standards of durability, circular design, and responsible use of chemicals. Please contact our sales team for a list of EU Ecolabel compliant combinations.

Material: Shell made from 100% recycled polypropylene with fiber glass and a steel tube base.

Plastic gliders installed as standard. Felt gliders available upon request.



Rely HW97

Hee Welling

2022



Fabric gr.	Shell	Seat Cushion Upholstery	Base	Lead time	Weight	PRICE EX. VAT (SEK)	PRICE INC. VAT (SEK)
Fabric gr. 1	Plastic	Grain, Hot Madison, Remix, Re-Wool	Black, Bronzed	4-6 weeks	8.20 kg	4.172	5.215
Fabric gr. 2	Plastic	Asator, Barnum, Canvas, Fiord	Black, Bronzed	4-6 weeks	8.20 kg	4.532	5.665
Fabric gr. 3	Plastic	Clay, Hallingdal, Mylla, Steelcut Quartet, Steelcut Trio	Black, Bronzed	4-6 weeks	8.20 kg	4.652	5.815
Fabric gr. 4	Plastic	Acca, Beda, Cifrado, Ecriture, Moss, Vidar	Black, Bronzed	4-6 weeks	8.20 kg	5.008	6.260
Fabric gr. 5	Plastic	Gentle, Karakorum, Sisu	Black, Bronzed	4-6 weeks	8.20 kg	5.488	6.860
Fabric gr. 6	Plastic	Fuse, Tiger Mountain**	Black, Bronzed	4-6 weeks	8.20 kg	6.084	7.605
Leather	Plastic	Tailor Semi-aniline leather	Black, Bronzed	4-6 weeks	8.20 kg	4.652	5.815
Leather	Plastic	Noble Aniline leather	Black, Bronzed	4-6 weeks	8.20 kg	5.008	6.260
Leather	Plastic	Elmosoft Semi-aniline leather	Black, Bronzed	4-6 weeks	8.20 kg	5.368	6.710
COM	Plastic	Fabric	Black, Bronzed	4-6 weeks	8.20 kg	4.172	5.215

Product no.	Product	Variant	Lead time	PRICE EX. VAT (SEK)	PRICE INC. VAT (SEK)
145307	Plastic gliders for Drawn, Elefy w. wood base, Rely w. tube (ex. stacking) & wood base, Muno, and Meantime Lounge Chairs, 4 pcs	Black	Stock item	88	110
145308	Felt gliders for Drawn, Elefy w. wood base, Rely w. tube (ex. stacking) & wood base, Muno, and Meantime Lounge Chairs, 4 pcs	Black	Stock item	88	110

** Please be aware that the placement of the pattern may vary from piece to piece due to optimal usage of fabric when cutting. Patterns may not align at seams or edges



EU Ecolabel certified, validating high standards of durability, circular design, and responsible use of chemicals. Please contact our sales team for a list of EU Ecolabel compliant combinations.



Made using FSC® certified wood, supporting responsible environmental, social and economical management of the world's forests. Visit www.fsc.org

Plastic shell variants

Black, White, Beige Sand, Red Brown, Light Blue, Stone Grey

Material: Shell made from 100% recycled polypropylene with fiber glass, HR foam seat covered with fabric or leather upholstery, steel tube base.

Plastic gliders installed as standard. Felt gliders available upon request.

Fabric usage: 0.8 meter based on a 140 cm roll.

Leather usage: 1 square meter based on a yield of 60% pr hide.

COM must be approved by &Tradition to ensure suitability for upholstery.



Rely HW98

Hee Welling

2022



Fabric gr.	Upholstery	Base	Lead time	Weight	PRICE EX. VAT (SEK)	PRICE INC. VAT (SEK)
Fabric gr. 1	Grain, Hot Madison, Remix, Re-Wool	Black, Bronzed	4-6 weeks	7.90 kg	5.128	6.410
Fabric gr. 2	Asator, Barnum, Canvas, Fiord	Black, Bronzed	4-6 weeks	7.90 kg	5.844	7.305
Fabric gr. 3	Clay, Hallingdal, Mylla, Steelcut Quartet, Steelcut Trio	Black, Bronzed	4-6 weeks	7.90 kg	6.084	7.605
Fabric gr. 4	Acca, Beda, Cifrado, Ecriture, Moss, Vidar	Black, Bronzed	4-6 weeks	7.90 kg	6.680	8.350
Fabric gr. 5	Gentle, Karakorum, Sisu	Black, Bronzed	4-6 weeks	7.90 kg	8.112	10.140
Fabric gr. 6	Fuse, Tiger Mountain**	Black, Bronzed	4-6 weeks	7.90 kg	8.948	11.185
Leather	Tailor Semi-aniline leather	Black, Bronzed	4-6 weeks	7.90 kg	7.040	8.800
Leather	Noble Aniline leather	Black, Bronzed	4-6 weeks	7.90 kg	7.396	9.245
Leather	Elmosoft Semi-aniline leather	Black, Bronzed	4-6 weeks	7.90 kg	7.996	9.995
COM	Fabric	Black, Bronzed	4-6 weeks	7.90 kg	5.128	6.410

Product no.	Product	Variant	Lead time	PRICE EX. VAT (SEK)	PRICE INC. VAT (SEK)
145307	Plastic gliders for Drawn, Elefy w. wood base, Rely w. tube (ex. stacking) & wood base, Muno, and Meantime Lounge Chairs, 4 pcs	Black	Stock item	88	110
145308	Felt gliders for Drawn, Elefy w. wood base, Rely w. tube (ex. stacking) & wood base, Muno, and Meantime Lounge Chairs, 4 pcs	Black	Stock item	88	110

** Please be aware that the placement of the pattern may vary from piece to piece due to optimal usage of fabric when cutting. Patterns may not align at seams or edges



EU Ecolabel certified, validating high standards of durability, circular design, and responsible use of chemicals. Please contact our sales team for a list of EU Ecolabel compliant combinations.

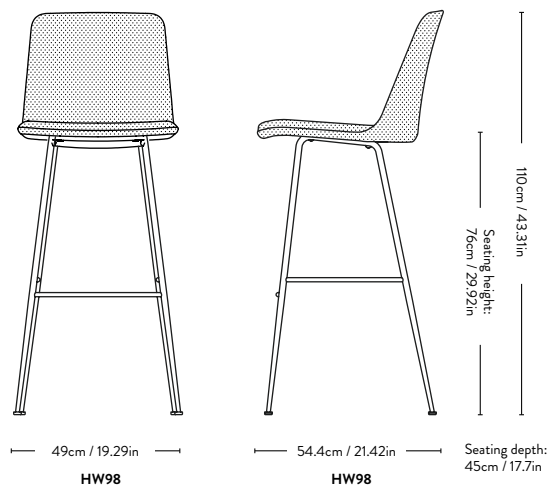
Material: Shell made from 100% recycled polypropylene with fiber glass, covered with HR foam with fabric or leather upholstery, steel tube base.

Plastic gliders installed as standard. Felt gliders available upon request.

Fabric usage: 1.4 meters based on a 140cm roll.

Leather usage: 1.7 square meters based on a yield of 60% pr hide.

COM must be approved by &Tradition to ensure suitability for upholstery.



Rely HW99 Hee Welling 2022



Fabric gr.	Upholstery	Base	Lead time	Weight	PRICE EX. VAT (SEK)	PRICE INC. VAT (SEK)
Fabric gr. 1	Grain, Hot Madison, Remix, Re-Wool	Black, Bronzed	4-6 weeks	9.00 kg	5.368	6.710
Fabric gr. 2	Asator, Barnum, Canvas, Fiord	Black, Bronzed	4-6 weeks	9.00 kg	6.084	7.605
Fabric gr. 3	Clay, Hallingdal, Mylla, Steelcut Quartet, Steelcut Trio	Black, Bronzed	4-6 weeks	9.00 kg	6.324	7.905
Fabric gr. 4	Acca, Beda, Cifrado, Ecriture, Moss, Vidar	Black, Bronzed	4-6 weeks	9.00 kg	6.920	8.650
Fabric gr. 5	Gentle, Karakorum, Sisu	Black, Bronzed	4-6 weeks	9.00 kg	8.352	10.440
Fabric gr. 6	Fuse, Tiger Mountain**	Black, Bronzed	4-6 weeks	9.00 kg	9.188	11.485
Leather	Tailor Semi-aniline leather	Black, Bronzed	4-6 weeks	9.00 kg	7.276	9.095
Leather	Noble Aniline leather	Black, Bronzed	4-6 weeks	9.00 kg	7.636	9.545
Leather	Elmosoft Semi-aniline leather	Black, Bronzed	4-6 weeks	9.00 kg	8.712	10.890
COM	Fabric	Black, Bronzed	4-6 weeks	9.00 kg	5.368	6.710

Product no.	Product	Variant	Lead time	PRICE EX. VAT (SEK)	PRICE INC. VAT (SEK)
145307	Plastic gliders for Drawn, Elefy w. wood base, Rely w. tube (ex. stacking) & wood base, Muno, and Meantime Lounge Chairs, 4 pcs	Black	Stock item	88	110
145308	Felt gliders for Drawn, Elefy w. wood base, Rely w. tube (ex. stacking) & wood base, Muno, and Meantime Lounge Chairs, 4 pcs	Black	Stock item	88	110

** Please be aware that the placement of the pattern may vary from piece to piece due to optimal usage of fabric when cutting. Patterns may not align at seams or edges

Material: Shell made from 100% recycled polypropylene with fiber glass, covered with HR foam with fabric or leather upholstery, steel tube base.



EU Ecolabel certified, validating high standards of durability, circular design, and responsible use of chemicals. Please contact our sales team for a list of EU Ecolabel compliant combinations.

Plastic gliders installed as standard. Felt gliders available upon request.

EU Ecolabel | DK/049/039

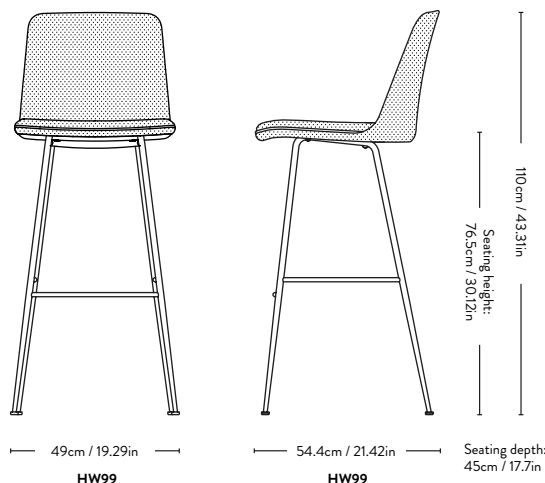
Fabric usage: 1.4 meters based on a 140cm roll.

Leather usage: 1.7 square meters based on a yield of 60% pr hide.



Made using FSC® certified wood, supporting responsible environmental, social and economical management of the world's forests. Visit www.fsc.org

COM must be approved by &Tradition to ensure suitability for upholstery.



NEW

Rely HW118 Hee Welling 2026



Shell Variant	Base	Colli qty.	Lead time	Weight	PRICE EX. VAT (SEK)	PRICE INC. VAT (SEK)
Black	Oak	1 pc	2-3 weeks	4.00 kg	3.336	4.170
	Walnut				3.936	4.920
White	Oak	1 pc	2-3 weeks	4.00 kg	3.336	4.170
	Walnut				3.936	4.920
Beige Sand	Oak	1 pc	2-3 weeks	4.00 kg	3.336	4.170
	Walnut				3.936	4.920
Red Brown	Oak	1 pc	2-3 weeks	4.00 kg	3.336	4.170
	Walnut				3.936	4.920
Light Blue	Oak	1 pc	2-3 weeks	4.00 kg	3.336	4.170
	Walnut				3.936	4.920
Stone Grey	Oak	1 pc	2-3 weeks	4.00 kg	3.336	4.170
	Walnut				3.936	4.920

Product no.	Product	Variant	Lead time	PRICE EX. VAT (SEK)	PRICE INC. VAT (SEK)
156119	Footrest protector Rely Bar & Counter Stool HW118-HW127	Brushed Steel	2-3 weeks	352	440
145307	Plastic gliders for Drawn, Elefy w. wood base, Rely w. tube (ex. stacking) & wood base, Muno, and Meantime Lounge Chairs, 4 pcs	Black	Stock item	88	110
145308	Felt gliders for Drawn, Elefy w. wood base, Rely w. tube (ex. stacking) & wood base, Muno, and Meantime Lounge Chairs, 4 pcs	Black	Stock item	88	110

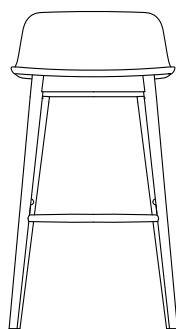


Made using FSC® certified wood, supporting responsible environmental, social and economical management of the world's forests. Visit www.fsc.org

Material: Shell made from 100% recycled polypropylene with fiber glass. Water based lacquered oak or walnut base.

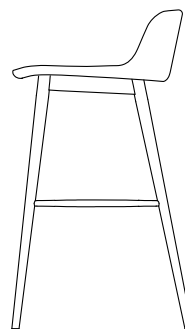
Plastic gliders installed as standard. Felt gliders available upon request.

Seat width:
40cm / 15.7in



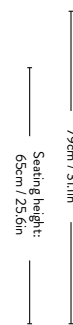
40cm / 15.7in

HW118



44cm / 17.3in

HW118



Seating height:
79cm / 31.1in
65cm / 25.6in

Seating depth:
38cm / 15in

NEW

Rely HW119 Hee Welling 2026



Fabric gr.	Shell	Seat Cushion Upholstery	Base	Lead time	Weight	PRICE EX. VAT (SEK)	PRICE INC. VAT (SEK)
Fabric gr. 1	Plastic	Grain, Hot Madison, Remix, Re-Wool	Oak	4-6 weeks	4.80 kg	4.532	5.665
			Walnut			5.128	6.410
Fabric gr. 2	Plastic	Asator, Barnum, Canvas, Fiord	Oak	4-6 weeks	4.80 kg	4.888	6.110
			Walnut			5.488	6.860
Fabric gr. 3	Plastic	Clay, Hallingdal, Mylla, Steelcut Quartet, Steelcut Trio	Oak	4-6 weeks	4.80 kg	5.008	6.260
			Walnut			5.604	7.005
Fabric gr. 4	Plastic	Acca, Beda, Cifrado, Ecriture, Moss, Vidar	Oak	4-6 weeks	4.80 kg	5.368	6.710
			Walnut			5.964	7.455
Fabric gr. 5	Plastic	Gentle, Karakorum, Sisu	Oak	4-6 weeks	4.80 kg	5.844	7.305
			Walnut			6.440	8.050
Fabric gr. 6	Plastic	Fuse, Tiger Mountain**	Oak	4-6 weeks	4.80 kg	6.324	7.905
			Walnut			6.920	8.650
Leather	Plastic	Tailor Semi-aniline leather	Oak	4-6 weeks	4.80 kg	5.008	6.260
			Walnut			5.604	7.005
Leather	Plastic	Noble Aniline leather	Oak	4-6 weeks	4.80 kg	5.368	6.710
			Walnut			5.964	7.455
Leather	Plastic	Elmosoft Semi-aniline leather	Oak	4-6 weeks	4.80 kg	5.724	7.155
			Walnut			6.324	7.905
COM	Plastic	Fabric	Oak	4-6 weeks	4.80 kg	4.532	5.665
			Walnut			5.128	6.410

Product no.	Product	Variant	Lead time	PRICE EX. VAT (SEK)	PRICE INC. VAT (SEK)
156119	Footrest protector Rely Bar & Counter Stool HW118-HW127	Brushed Steel	4-6 weeks	352	440
145307	Plastic gliders for Drawn, Elefy w. wood base, Rely w. tube (ex. stacking) & wood base, Munu, and Meantime Lounge Chairs, 4 pcs	Black	Stock item	88	110
145308	Felt gliders for Drawn, Elefy w. wood base, Rely w. tube (ex. stacking) & wood base, Munu, and Meantime Lounge Chairs, 4 pcs	Black	Stock item	88	110



Made using FSC® certified wood, supporting responsible environmental, social and economical management of the world's forests. Visit www.fsc.org

Plastic shell variants

Black, White, Beige Sand, Red Brown, Light Blue, Stone Grey

Material: Shell made from 100% recycled polypropylene with fiber glass, seat covered in HR foam with fabric or leather upholstery. Water based lacquered oak or walnut base.

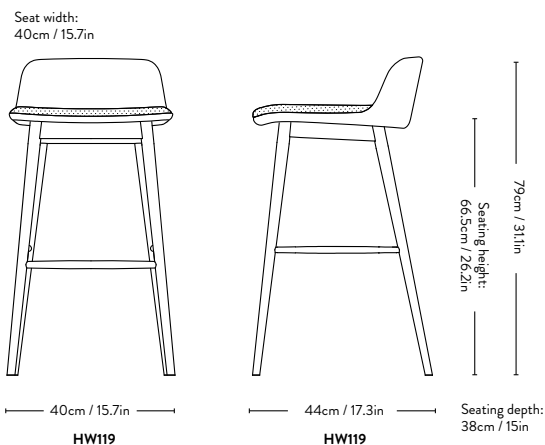
Plastic gliders installed as standard.
Felt gliders available upon request.

Fabric usage: 0.7 meter based on a 140 cm roll.

Leather usage: 1 square meter based on a yield of 60% pr hide.

COM must be approved by &Tradition to ensure suitability for upholstery.

** Please be aware that the placement of the pattern may vary from piece to piece due to optimal usage of fabric when cutting. Patterns may not align at seams or edges



NEW

Rely HW120 Hee Welling 2026



Fabric gr.	Upholstery	Base	Lead time	Weight	PRICE EX. VAT (SEK)	PRICE INC. VAT (SEK)
Fabric gr. 1	Grain, Hot Madison, Remix, Re-Wool	Oak	4-6 weeks	4.30 kg	5.368	6.710
		Walnut			5.964	7.455
Fabric gr. 2	Asator, Barnum, Canvas, Fiord	Oak	4-6 weeks	4.30 kg	6.084	7.605
		Walnut			6.680	8.350
Fabric gr. 3	Clay, Hallingdal, Mylla, Steelcut Quartet, Steelcut Trio	Oak	4-6 weeks	4.30 kg	6.324	7.905
		Walnut			6.920	8.650
Fabric gr. 4	Acca, Beda, Cifrado, Ecriture, Moss, Vidar	Oak	4-6 weeks	4.30 kg	6.920	8.650
		Walnut			7.516	9.395
Fabric gr. 5	Gentle, Karakorum, Sisu	Oak	4-6 weeks	4.30 kg	8.352	10.440
		Walnut			8.948	11.185
Fabric gr. 6	Fuse, Tiger Mountain**	Oak	4-6 weeks	4.30 kg	9.068	11.335
		Walnut			9.664	12.080
Leather	Tailor Semi-aniline leather	Oak	4-6 weeks	4.30 kg	7.276	9.095
		Walnut			7.876	9.845
Leather	Noble Aniline leather	Oak	4-6 weeks	4.30 kg	7.636	9.545
		Walnut			8.232	10.290
Leather	Elmosoft Semi-aniline leather	Oak	4-6 weeks	4.30 kg	8.232	10.290
		Walnut			8.828	11.035
COM	Fabric	Oak	4-6 weeks	4.30 kg	5.368	6.710
		Walnut			5.964	7.455

Product no.	Product	Variant	Lead time	PRICE EX. VAT (SEK)	PRICE INC. VAT (SEK)
156119	Footrest protector Rely Bar & Counter Stool HW118-HW127	Brushed Steel	4-6 weeks	352	440
145307	Plastic gliders for Drawn, Elefy w. wood base, Rely w. tube (ex. stacking) & wood base, Muno, and Meantime Lounge Chairs, 4 pcs	Black	Stock item	88	110
145308	Felt gliders for Drawn, Elefy w. wood base, Rely w. tube (ex. stacking) & wood base, Muno, and Meantime Lounge Chairs, 4 pcs	Black	Stock item	88	110



Made using FSC® certified wood, supporting responsible environmental, social and economical management of the world's forests. Visit www.fsc.org

Material: Shell made from 100% recycled polypropylene with fiber glass, covered with HR foam with fabric or leather upholstery. Water based lacquered oak or walnut base.

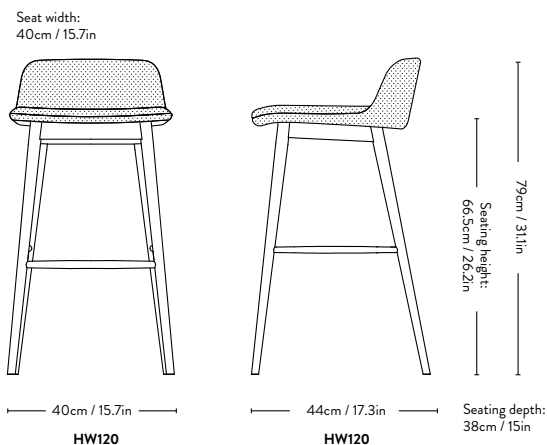
Plastic gliders installed as standard.
Felt gliders available upon request.

Fabric usage: 0.9 meters based on 140cm roll.

Leather usage: 1.7 square meters based on a yield of 60% pr hide.

COM must be approved by &Tradition to ensure suitability for upholstery.

** Please be aware that the placement of the pattern may vary from piece to piece due to optimal usage of fabric when cutting. Patterns may not align at seams or edges



NEW

Rely HW121 Hee Welling 2026



Fabric gr.	Upholstery	Base	Lead time	Weight	PRICE EX. VAT (SEK)	PRICE INC. VAT (SEK)
Fabric gr. 1	Grain, Hot Madison, Remix, Re-Wool	Oak	4-6 weeks	5.0 kg	5.604	7.005
		Walnut			6.204	7.755
Fabric gr. 2	Asator, Barnum, Canvas, Fiord	Oak	4-6 weeks	5.0 kg	6.324	7.905
		Walnut			6.920	8.650
Fabric gr. 3	Clay, Hallingdal, Mylla, Steelcut Quartet, Steelcut Trio	Oak	4-6 weeks	5.0 kg	6.560	8.200
		Walnut			7.160	8.950
Fabric gr. 4	Acca, Beda, Cifrado, Ecriture, Moss, Vidar	Oak	4-6 weeks	5.0 kg	7.160	8.950
		Walnut			7.756	9.695
Fabric gr. 5	Gentle, Karakorum, Sisu	Oak	4-6 weeks	5.0 kg	8.592	10.740
		Walnut			9.188	11.485
Fabric gr. 6	Fuse, Tiger Mountain**	Oak	4-6 weeks	5.0 kg	9.428	11.785
		Walnut			10.024	12.530
Leather	Tailor Semi-aniline leather	Oak	4-6 weeks	5.0 kg	7.516	9.395
		Walnut			8.112	10.140
Leather	Noble Aniline leather	Oak	4-6 weeks	5.0 kg	7.876	9.845
		Walnut			8.472	10.590
Leather	Elmosoft Semi-aniline leather	Oak	4-6 weeks	5.0 kg	8.592	10.740
		Walnut			9.188	11.485
COM	Fabric	Oak	4-6 weeks	5.0 kg	5.604	7.005
		Walnut			6.204	7.755

Product no.	Product	Variant	Lead time	PRICE EX. VAT (SEK)	PRICE INC. VAT (SEK)
156119	Footrest protector Rely Bar & Counter Stool HW118-HW127	Brushed Steel	4-6 weeks	352	440
145307	Plastic gliders for Drawn, Elefy w. wood base, Rely w. tube (ex. stacking) & wood base, Muno, and Meantime Lounge Chairs, 4 pcs	Black	Stock item	88	110
145308	Felt gliders for Drawn, Elefy w. wood base, Rely w. tube (ex. stacking) & wood base, Muno, and Meantime Lounge Chairs, 4 pcs	Black	Stock item	88	110



Made using FSC® certified wood, supporting responsible environmental, social and economical management of the world's forests. Visit www.fsc.org

Material: Shell made from 100% recycled polypropylene with fiber glass, covered with HR foam with fabric or leather upholstery. Water based lacquered oak or walnut base.

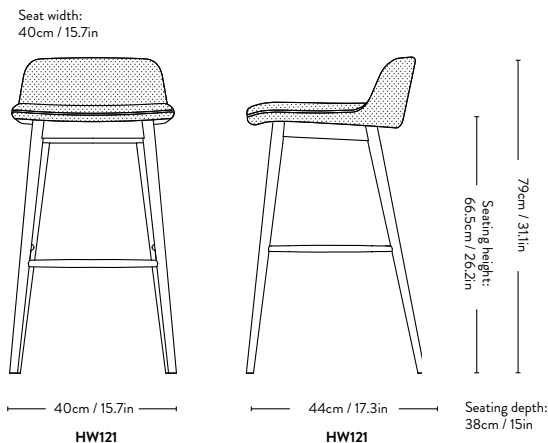
Plastic gliders installed as standard.
Felt gliders available upon request.

Fabric usage: 0.9 meters based on a 140cm roll.

Leather usage: 1.7 square meters based on a yield of 60% pr hide.

COM must be approved by &Tradition to ensure suitability for upholstery.

** Please be aware that the placement of the pattern may vary from piece to piece due to optimal usage of fabric when cutting. Patterns may not align at seams or edges



NEW

Rely HW123 Hee Welling 2026



Shell Variant	Base	Colli qty.	Lead time	Weight	PRICE EX. VAT (SEK)	PRICE INC. VAT (SEK)
Black	Oak	1 pc	2-3 weeks	4.20 kg	3.336	4.170
	Walnut				3.936	4.920
White	Oak	1 pc	2-3 weeks	4.20 kg	3.336	4.170
	Walnut				3.936	4.920
Beige Sand	Oak	1 pc	2-3 weeks	4.20 kg	3.336	4.170
	Walnut				3.936	4.920
Red Brown	Oak	1 pc	2-3 weeks	4.20 kg	3.336	4.170
	Walnut				3.936	4.920
Light Blue	Oak	1 pc	2-3 weeks	4.20 kg	3.336	4.170
	Walnut				3.936	4.920
Stone Grey	Oak	1 pc	2-3 weeks	4.20 kg	3.336	4.170
	Walnut				3.936	4.920

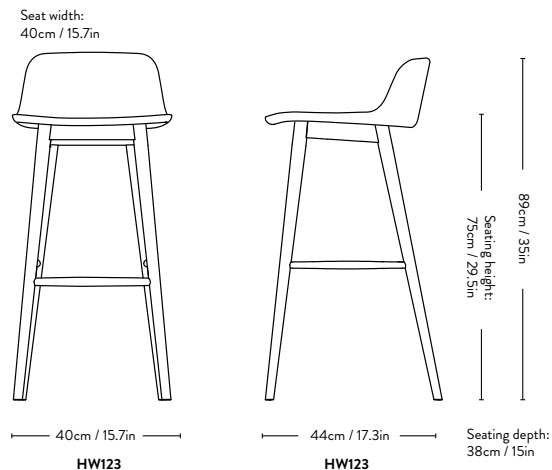
Product no.	Product	Variant	Lead time	PRICE EX. VAT (SEK)	PRICE INC. VAT (SEK)
156119	Footrest protector Rely Bar & Counter Stool HW118-HW127	Brushed Steel	4-6 weeks	352	440
145307	Plastic gliders for Drawn, Elefy w. wood base, Rely w. tube (ex. stacking) & wood base, Muno, and Meantime Lounge Chairs, 4 pcs	Black	Stock item	88	110
145308	Felt gliders for Drawn, Elefy w. wood base, Rely w. tube (ex. stacking) & wood base, Muno, and Meantime Lounge Chairs, 4 pcs	Black	Stock item	88	110



Made using FSC® certified wood, supporting responsible environmental, social and economical management of the world's forests. Visit www.fsc.org

Material: Shell made from 100% recycled polypropylene with fiber glass. Water based lacquered oak or walnut base.

Plastic gliders installed as standard. Felt gliders available upon request.



NEW

Rely HW124

Hee Welling

2026

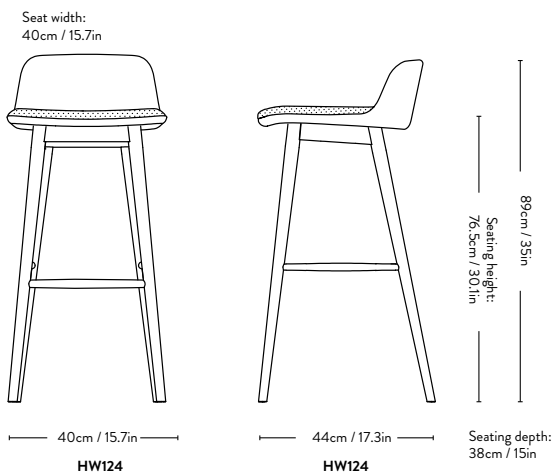


Fabric gr.	Shell	Seat Cushion Upholstery	Base	Lead time	Weight	PRICE EX. VAT (SEK)	PRICE INC. VAT (SEK)
Fabric gr. 1	Plastic	Grain, Hot Madison, Remix, Re-Wool	Oak Walnut	4-6 weeks	5.00 kg	4.532 5.128	5.665 6.410
Fabric gr. 2	Plastic	Asator, Barnum, Canvas, Fiord	Oak Walnut	4-6 weeks	5.00 kg	4.888 5.488	6.110 6.860
Fabric gr. 3	Plastic	Clay, Hallingdal, Mylla, Steelcut Quartet, Steelcut Trio	Oak Walnut	4-6 weeks	5.00 kg	5.008 5.604	6.260 7.005
Fabric gr. 4	Plastic	Acca, Beda, Cifrado, Ecriture, Moss, Vidar	Oak Walnut	4-6 weeks	5.00 kg	5.368 5.964	6.710 7.455
Fabric gr. 5	Plastic	Gentle, Karakorum, Sisu	Oak Walnut	4-6 weeks	5.00 kg	5.844 6.440	7.305 8.050
Fabric gr. 6	Plastic	Fuse, Tiger Mountain**	Oak Walnut	4-6 weeks	5.00 kg	6.324 6.920	7.905 8.650
Leather	Plastic	Tailor Semi-aniline leather	Oak Walnut	4-6 weeks	5.00 kg	5.008 5.604	6.260 7.005
Leather	Plastic	Noble Aniline leather	Oak Walnut	4-6 weeks	5.00 kg	5.368 5.964	6.710 7.455
Leather	Plastic	Elmosoft Semi-aniline leather	Oak Walnut	4-6 weeks	5.00 kg	5.724 6.324	7.155 7.905
COM	Plastic	Fabric	Oak Walnut	4-6 weeks	5.00 kg	4.532 5.128	5.665 6.410

Product no.	Product	Variant	Lead time	PRICE EX. VAT (SEK)	PRICE INC. VAT (SEK)
156119	Footrest protector Rely Bar & Counter Stool HW118-HW127	Brushed Steel	4-6 weeks	352	440
145307	Plastic gliders for Drawn, Elefy w. wood base, Rely w. tube (ex. stacking) & wood base, Muno, and Meantime Lounge Chairs, 4 pcs	Black	Stock item	88	110
145308	Felt gliders for Drawn, Elefy w. wood base, Rely w. tube (ex. stacking) & wood base, Muno, and Meantime Lounge Chairs, 4 pcs	Black	Stock item	88	110



Made using FSC® certified wood, supporting responsible environmental, social and economical management of the world's forests. Visit www.fsc.org



Plastic shell variants

Black, White, Beige Sand, Red Brown, Light Blue, Stone Grey

Material: Shell made from 100% recycled polypropylene with fiber glass, HR foam seat covered with fabric or leather upholstery, steel tube base.

Plastic gliders installed as standard.
Felt gliders available upon request.

Fabric usage: 0.7 meter based on a 140 cm roll.
Leather usage: 1 square meter based on a yield of 60% pr hide.

COM must be approved by &Tradition to ensure suitability for upholstery.

** Please be aware that the placement of the pattern may vary from piece to piece due to optimal usage of fabric when cutting. Patterns may not align at seams or edges

NEW

Rely HW125 Hee Welling 2026



Fabric gr.	Upholstery	Base	Lead time	Weight	PRICE EX. VAT (SEK)	PRICE INC. VAT (SEK)
Fabric gr. 1	Grain, Hot Madison, Remix, Re-Wool	Oak	4-6 weeks	4.50 kg	5.368	6.710
		Walnut			5.964	7.455
Fabric gr. 2	Asator, Barnum, Canvas, Fiord	Oak	4-6 weeks	4.50 kg	6.084	7.605
		Walnut			6.680	8.350
Fabric gr. 3	Clay, Hallingdal, Mylla, Steelcut Quartet, Steelcut Trio	Oak	4-6 weeks	4.50 kg	6.324	7.905
		Walnut			6.920	8.650
Fabric gr. 4	Acca, Beda, Cifrado, Ecriture, Moss, Vidar	Oak	4-6 weeks	4.50 kg	6.920	8.650
		Walnut			7.516	9.395
Fabric gr. 5	Gentle, Karakorum, Sisu	Oak	4-6 weeks	4.50 kg	8.352	10.440
		Walnut			8.948	11.185
Fabric gr. 6	Fuse, Tiger Mountain**	Oak	4-6 weeks	4.50 kg	9.068	11.335
		Walnut			9.664	12.080
Leather	Tailor Semi-aniline leather	Oak	4-6 weeks	4.50 kg	7.276	9.095
		Walnut			7.876	9.845
Leather	Noble Aniline leather	Oak	4-6 weeks	4.50 kg	7.636	9.545
		Walnut			8.232	10.290
Leather	Elmosoft Semi-aniline leather	Oak	4-6 weeks	4.50 kg	8.232	10.290
		Walnut			8.828	11.035
COM	Fabric	Oak	4-6 weeks	4.50 kg	5.368	6.710
		Walnut			5.964	7.455

Product no.	Product	Variant	Lead time	PRICE EX. VAT (SEK)	PRICE INC. VAT (SEK)
156119	Footrest protector Rely Bar & Counter Stool HW118-HW127	Brushed Steel	4-6 weeks	352	440
145307	Plastic gliders for Drawn, Eleyf w. wood base, Rely w. tube (ex. stacking) & wood base, Muno, and Meantime Lounge Chairs, 4 pcs	Black	Stock item	88	110
145308	Felt gliders for Drawn, Eleyf w. wood base, Rely w. tube (ex. stacking) & wood base, Muno, and Meantime Lounge Chairs, 4 pcs	Black	Stock item	88	110



Made using FSC® certified wood, supporting responsible environmental, social and economical management of the world's forests. Visit www.fsc.org

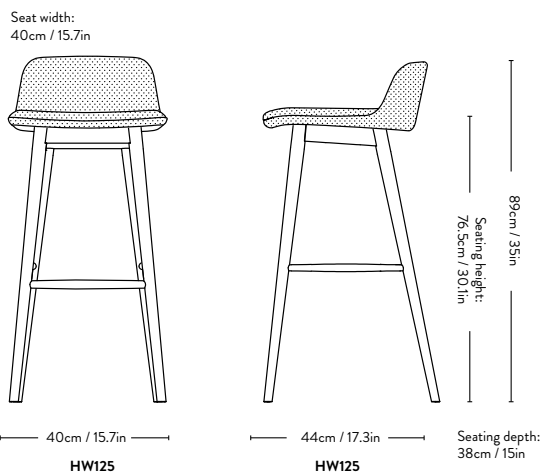
Material: Shell made from 100% recycled polypropylene with fiber glass, covered with HR foam with fabric or leather upholstery. Water based lacquered oak or walnut base.

Plastic gliders installed as standard.
Felt gliders available upon request.

Fabric usage: 0.9 meters based on a 140cm roll.
Leather usage: 1.7 square meters based on a yield of 60% pr hide.

COM must be approved by &Tradition to ensure suitability for upholstery.

** Please be aware that the placement of the pattern may vary from piece to piece due to optimal usage of fabric when cutting. Patterns may not align at seams or edges



NEW

Rely HW126 Hee Welling 2026



Fabric gr.	Upholstery	Base	Lead time	Weight	PRICE EX. VAT (SEK)	PRICE INC. VAT (SEK)
Fabric gr. 1	Grain, Hot Madison, Remix, Re-Wool	Oak	4-6 weeks	5.20 kg	5.604	7.005
		Walnut			6.204	7.755
Fabric gr. 2	Asator, Barnum, Canvas, Fiord	Oak	4-6 weeks	5.20 kg	6.324	7.905
		Walnut			6.920	8.650
Fabric gr. 3	Clay, Hallingdal, Mylla, Steelcut Quartet, Steelcut Trio	Oak	4-6 weeks	5.20 kg	6.560	8.200
		Walnut			7.160	8.950
Fabric gr. 4	Acca, Beda, Cifrado, Ecriture, Moss, Vidar	Oak	4-6 weeks	5.20 kg	7.160	8.950
		Walnut			7.756	9.695
Fabric gr. 5	Gentle, Karakorum, Sisu	Oak	4-6 weeks	5.20 kg	8.592	10.740
		Walnut			9.188	11.485
Fabric gr. 6	Fuse, Tiger Mountain**	Oak	4-6 weeks	5.20 kg	9.428	11.785
		Walnut			10.024	12.530
Leather	Tailor Semi-aniline leather	Oak	4-6 weeks	5.20 kg	7.516	9.395
		Walnut			8.112	10.140
Leather	Noble Aniline leather	Oak	4-6 weeks	5.20 kg	7.876	9.845
		Walnut			8.472	10.590
Leather	Elmosoft Semi-aniline leather	Oak	4-6 weeks	5.20 kg	8.592	10.740
		Walnut			9.188	11.485
COM	Fabric	Oak Walnut	4-6 weeks	5.20 kg		

Product no.	Product	Variant	Lead time	PRICE EX. VAT (SEK)	PRICE INC. VAT (SEK)
156119	Footrest protector Rely Bar & Counter Stool HW118-HW127	Brushed Steel	4-6 weeks	352	440
145307	Plastic gliders for Drawn, Elefy w. wood base, Rely w. tube (ex. stacking) & wood base, Muno, and Meantime Lounge Chairs, 4 pcs	Black	Stock item	88	110
145308	Felt gliders for Drawn, Elefy w. wood base, Rely w. tube (ex. stacking) & wood base, Muno, and Meantime Lounge Chairs, 4 pcs	Black	Stock item	88	110



Made using FSC® certified wood, supporting responsible environmental, social and economical management of the world's forests. Visit www.fsc.org

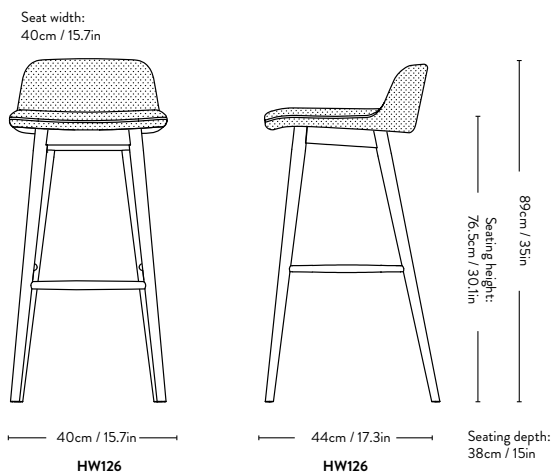
Material: Shell made from 100% recycled polypropylene with fiber glass, covered with HR foam with fabric or leather upholstery. Water based lacquered oak or walnut base.

Plastic gliders installed as standard.
Felt gliders available upon request.

Fabric usage: 0.9 meters based on a 140cm roll.
Leather usage: 1.7 square meters based on a yield of 60% pr hide.

COM must be approved by &Tradition to ensure suitability for upholstery.

** Please be aware that the placement of the pattern may vary from piece to piece due to optimal usage of fabric when cutting. Patterns may not align at seams or edges



NEW

Rely HW128 Hee Welling 2026



Shell Variant	Base	Colli qty.	Lead time	Weight	PRICE EX. VAT (SEK)	PRICE INC. VAT (SEK)
Black	Oak	1 pc	2-3 weeks	6.20 kg	3.696	4.620
	Walnut				4.292	5.365
White	Oak	1 pc	2-3 weeks	6.20 kg	3.696	4.620
	Walnut				4.292	5.365
Beige Sand	Oak	1 pc	2-3 weeks	6.20 kg	3.696	4.620
	Walnut				4.292	5.365
Red Brown	Oak	1 pc	2-3 weeks	6.20 kg	3.696	4.620
	Walnut				4.292	5.365
Light Blue	Oak	1 pc	2-3 weeks	6.20 kg	3.696	4.620
	Walnut				4.292	5.365
Stone Grey	Oak	1 pc	2-3 weeks	6.20 kg	3.696	4.620
	Walnut				4.292	5.365

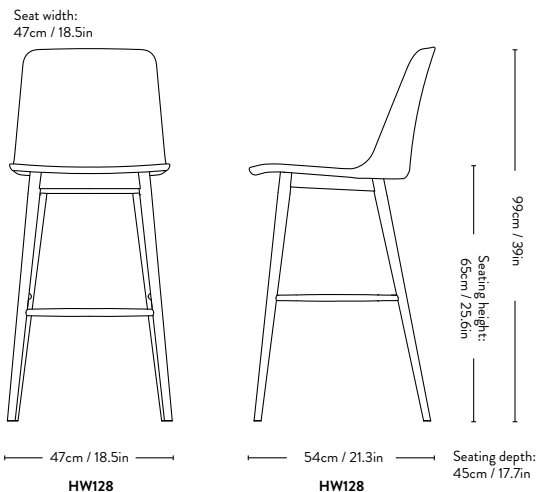
Product no.	Product	Variant	Lead time	PRICE EX. VAT (SEK)	PRICE INC. VAT (SEK)
156121	Footrest protector Rely Bar & Counter Chair HW128-HW137	Brushed Steel	2-3 weeks	352	440
145307	Plastic gliders for Drawn, Elefy w. wood base, Rely w. tube (ex. stacking) & wood base, Muno, and Meantime Lounge Chairs, 4 pcs	Black	Stock item	88	110
145308	Felt gliders for Drawn, Elefy w. wood base, Rely w. tube (ex. stacking) & wood base, Muno, and Meantime Lounge Chairs, 4 pcs	Black	Stock item	88	110



Made using FSC® certified wood, supporting responsible environmental, social and economical management of the world's forests. Visit www.fsc.org

Material: Shell made from 100% recycled polypropylene with fiber glass. Water based lacquered oak or walnut base.

Plastic gliders installed as standard. Felt gliders available upon request.



NEW

Rely HW129 Hee Welling 2026



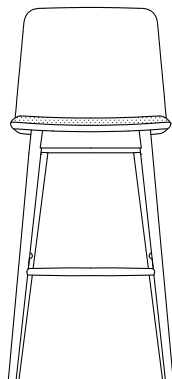
Fabric gr.	Shell	Seat Cushion Upholstery	Base	Lead time	Weight	PRICE EX. VAT (SEK)	PRICE INC. VAT (SEK)
Fabric gr. 1	Plastic	Grain, Hot Madison, Remix, Re-Wool	Oak Walnut	4-6 weeks	7.00 kg	4.888 5.844	6.110 7.305
Fabric gr. 2	Plastic	Asator, Barnum, Canvas, Fiord	Oak Walnut	4-6 weeks	7.00 kg	5.248 5.964	6.560 7.455
Fabric gr. 3	Plastic	Clay, Hallingdal, Mylla, Steelcut Quartet, Steelcut Trio	Oak Walnut	4-6 weeks	7.00 kg	5.368 6.324	6.710 7.905
Fabric gr. 4	Plastic	Acca, Beda, Cifrado, Ecriture, Moss, Vidar	Oak Walnut	4-6 weeks	7.00 kg	5.724 6.800	7.155 8.500
Fabric gr. 5	Plastic	Gentle, Karakorum, Sisu	Oak Walnut	4-6 weeks	7.00 kg	6.204 7.396	7.755 9.245
Fabric gr. 6	Plastic	Fuse, Tiger Mountain**	Oak Walnut	4-6 weeks	7.00 kg	6.800 5.964	8.500 7.455
Leather	Plastic	Tailor Semi-aniline leather	Oak Walnut	4-6 weeks	7.00 kg	5.368 6.324	6.710 7.905
Leather	Plastic	Noble Aniline leather	Oak Walnut	4-6 weeks	7.00 kg	5.724 6.680	7.155 8.350
Leather	Plastic	Elmosoft Semi-aniline leather	Oak Walnut	4-6 weeks	7.00 kg	6.084 5.488	7.605 6.860
COM	Plastic	Fabric	Oak Walnut	4-6 weeks	7.00 kg	4.888 5.844	6.110 7.305

Product no.	Product	Variant	Lead time	PRICE EX. VAT (SEK)	PRICE INC. VAT (SEK)
156121	Footrest protector Rely Bar & Counter Chair HW128-HW137	Brushed Steel	4-6 weeks	352	440
145307	Plastic gliders for Drawn, Elefy w. wood base, Rely w. tube (ex. stacking) & wood base, Muno, and Meantime Lounge Chairs, 4 pcs	Black	Stock item	88	110
145308	Felt gliders for Drawn, Elefy w. wood base, Rely w. tube (ex. stacking) & wood base, Muno, and Meantime Lounge Chairs, 4 pcs	Black	Stock item	88	110

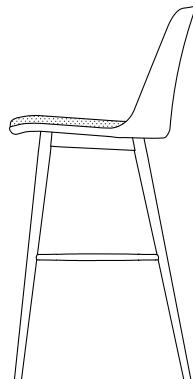


Made using FSC® certified wood, supporting responsible environmental, social and economical management of the world's forests. Visit www.fsc.org

Seat width:
47cm / 18.5in



47cm / 18.5in
HW129



54cm / 21.3in
HW129

99cm / 39in
Seating height:
66.5cm / 26.2in
Seating depth:
45cm / 17.7in

Plastic shell variants

Black, White, Beige Sand, Red Brown, Light Blue, Stone Grey

Material: Shell made from 100% recycled polypropylene with fiber glass, seat covered in HR foam with fabric or leather upholstery. Water based lacquered oak or walnut base.

Plastic gliders installed as standard.
Felt gliders available upon request.

Fabric usage: 0.8 meter based on a 140 cm roll.
Leather usage: 1 square meter based on a yield of 60% pr hide.

COM must be approved by &Tradition to ensure suitability for upholstery.

** Please be aware that the placement of the pattern may vary from piece to piece due to optimal usage of fabric when cutting. Patterns may not align at seams or edges

NEW

Rely HW130 Hee Welling 2026



Fabric gr.	Upholstery	Base	Lead time	Weight	PRICE EX. VAT (SEK)	PRICE INC. VAT (SEK)
Fabric gr. 1	Grain, Hot Madison, Remix, Re-Wool	Oak	4-6 weeks	6.70 kg	5.844	7.305
		Walnut			6.440	8.050
Fabric gr. 2	Asator, Barnum, Canvas, Fiord	Oak	4-6 weeks	6.70 kg	6.560	8.200
		Walnut			7.160	8.950
Fabric gr. 3	Clay, Hallingdal, Mylla, Steelcut Quartet, Steelcut Trio	Oak	4-6 weeks	6.70 kg	6.800	8.500
		Walnut			7.396	9.245
Fabric gr. 4	Acca, Beda, Cifrado, Ecriture, Moss, Vidar	Oak	4-6 weeks	6.70 kg	7.396	9.245
		Walnut			7.996	9.995
Fabric gr. 5	Gentle, Karakorum, Sisu	Oak	4-6 weeks	6.70 kg	8.828	11.035
		Walnut			9.428	11.785
Fabric gr. 6	Fuse, Tiger Mountain**	Oak	4-6 weeks	6.70 kg	9.664	12.080
		Walnut			10.264	12.830
Leather	Tailor Semi-aniline leather	Oak	4-6 weeks	6.70 kg	7.756	9.695
		Walnut			8.352	10.440
Leather	Noble Aniline leather	Oak	4-6 weeks	6.70 kg	8.112	10.140
		Walnut			8.712	10.890
Leather	Elmosoft Semi-aniline leather	Oak	4-6 weeks	6.70 kg	8.712	10.890
		Walnut			9.308	11.635
COM	Fabric	Oak	4-6 weeks	6.70 kg	5.844	7.305
		Walnut			6.440	8.050

Product no.	Product	Variant	Lead time	PRICE EX. VAT (SEK)	PRICE INC. VAT (SEK)
156121	Footrest protector Rely Bar & Counter Chair HW128-HW137	Brushed Steel	4-6 weeks	352	440
145307	Plastic gliders for Drawn, Elefy w. wood base, Rely w. tube (ex. stacking) & wood base, Muno, and Meantime Lounge Chairs, 4 pcs	Black	Stock item	88	110
145308	Felt gliders for Drawn, Elefy w. wood base, Rely w. tube (ex. stacking) & wood base, Muno, and Meantime Lounge Chairs, 4 pcs	Black	Stock item	88	110



Made using FSC® certified wood, supporting responsible environmental, social and economical management of the world's forests. Visit www.fsc.org

Material: Shell made from 100% recycled polypropylene with fiber glass, covered with HR foam with fabric or leather upholstery. Water based lacquered oak or walnut base.

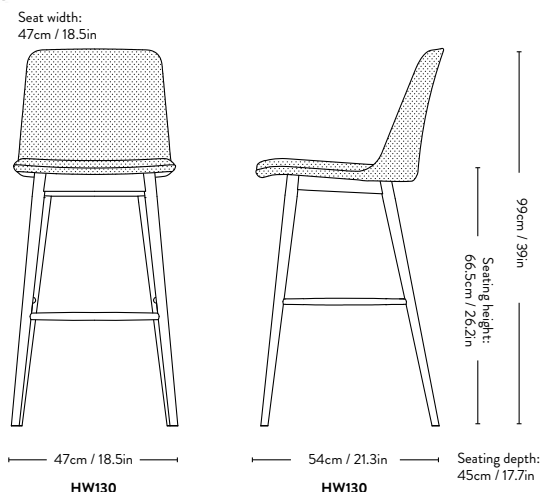
Plastic gliders installed as standard.
Felt gliders available upon request.

Fabric usage: 1.4 meters based on a 140cm roll.

Leather usage: 1.7 square meters based on a yield of 60% pr hide.

COM must be approved by &Tradition to ensure suitability for upholstery.

** Please be aware that the placement of the pattern may vary from piece to piece due to optimal usage of fabric when cutting. Patterns may not align at seams or edges



NEW

Rely HW131 Hee Welling 2026



Fabric gr.	Upholstery	Base	Lead time	Weight	PRICE EX. VAT (SEK)	PRICE INC. VAT (SEK)
Fabric gr. 1	Grain, Hot Madison, Remix, Re-Wool	Oak	4-6 weeks	7.80 kg	6.084	7.605
		Walnut			6.680	8.350
Fabric gr. 2	Asator, Barnum, Canvas, Fiord	Oak	4-6 weeks	7.80 kg	6.800	8.500
		Walnut			7.396	9.245
Fabric gr. 3	Clay, Hallingdal, Mylla, Steelcut Quartet, Steelcut Trio	Oak	4-6 weeks	7.80 kg	6.920	8.650
		Walnut			7.516	9.395
Fabric gr. 4	Acca, Beda, Cifrado, Ecriture, Moss, Vidar	Oak	4-6 weeks	7.80 kg	7.636	9.545
		Walnut			8.232	10.290
Fabric gr. 5	Gentle, Karakorum, Sisu	Oak	4-6 weeks	7.80 kg	9.068	11.335
		Walnut			9.664	12.080
Fabric gr. 6	Fuse, Tiger Mountain**	Oak	4-6 weeks	7.80 kg	9.904	12.380
		Walnut			10.500	13.125
Leather	Tailor Semi-aniline leather	Oak	4-6 weeks	7.80 kg	7.996	9.995
		Walnut			8.592	10.740
Leather	Noble Aniline leather	Oak	4-6 weeks	7.80 kg	8.352	10.440
		Walnut			8.948	11.185
Leather	Elmosoft Semi-aniline leather	Oak	4-6 weeks	7.80 kg	9.428	11.785
		Walnut			10.024	12.530
COM	Fabric	Oak	4-6 weeks	7.80 kg		
		Walnut				

Product no.	Product	Variant	Lead time	PRICE EX. VAT (SEK)	PRICE INC. VAT (SEK)
156121	Footrest protector Rely Bar & Counter Chair HW128-HW137	Brushed Steel	4-6 weeks	352	440
145307	Plastic gliders for Drawn, Elefy w. wood base, Rely w. tube (ex. stacking) & wood base, Muno, and Meantime Lounge Chairs, 4 pcs	Black	Stock item	88	110
145308	Felt gliders for Drawn, Elefy w. wood base, Rely w. tube (ex. stacking) & wood base, Muno, and Meantime Lounge Chairs, 4 pcs	Black	Stock item	88	110



Made using FSC® certified wood, supporting responsible environmental, social and economical management of the world's forests. Visit www.fsc.org

Material: Shell made from 100% recycled polypropylene with fiber glass, covered with HR foam with fabric or leather upholstery. Water based lacquered oak or walnut base.

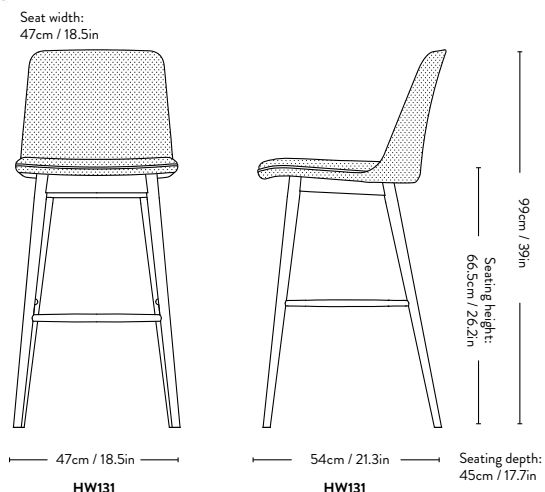
Plastic gliders installed as standard.
Felt gliders available upon request.

Fabric usage: 1.4 meters based on a 140cm roll.

Leather usage: 1.7 square meters based on a yield of 60% pr hide.

COM must be approved by &Tradition to ensure suitability for upholstery.

** Please be aware that the placement of the pattern may vary from piece to piece due to optimal usage of fabric when cutting. Patterns may not align at seams or edges



NEW

Rely HW132 Hee Welling 2026



Product no.	Product	Variant	Lead time	PRICE EX. VAT (SEK)	PRICE INC. VAT (SEK)
156121	Footrest protector Rely Bar & Counter Chair HW128-HW137	Brushed Steel	4-6 weeks	352	440
145307	Plastic gliders for Drawn, Elefy w. wood base, Rely w. tube (ex. stacking) & wood base, Muno, and Meantime Lounge Chairs, 4 pcs	Black	Stock item	88	110
145308	Felt gliders for Drawn, Elefy w. wood base, Rely w. tube (ex. stacking) & wood base, Muno, and Meantime Lounge Chairs, 4 pcs	Black	Stock item	88	110



Made using FSC® certified wood, supporting responsible environmental, social and economical management of the world's forests. Visit www.fsc.org

Material: Shell made from 100% recycled polypropylene with fiber glass, covered with HR foam with fabric or leather upholstery. Water based lacquered oak or walnut base.

Plastic gliders installed as standard.
Felt gliders available upon request.

Fabric usage: 1.9 meter (Shell: 1.2 meters / Seat: 0.7 meter) based on a 140cm roll.

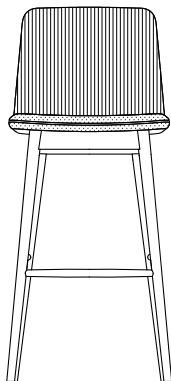
Leather usage: 2.5 square meters (Shell: 1.7 square meters, 0.8 square meters (cushion) based on a yield of 60% pr hide).

COM must be approved by &Tradition to ensure suitability for upholstery.

Minimum order quantity of same variant: 4 pcs.

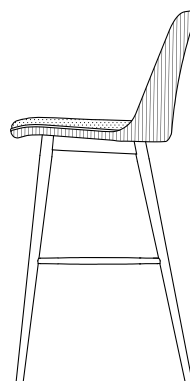
** Please be aware that the placement of the pattern may vary from piece to piece due to optimal usage of fabric when cutting. Patterns may not align at seams or edges

Seat width:
47cm / 18.5in



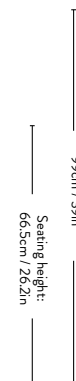
47cm / 18.5in

HW132



54cm / 21.3in

HW132



99cm / 39in
Seating height:
66.5cm / 26.2in

Seating depth:
45cm / 17.7in

NEW

Rely HW133 Hee Welling 2026



Shell Variant	Base	Colli qty.	Lead time	Weight	PRICE EX. VAT (SEK)	PRICE INC. VAT (SEK)
Black	Oak	1 pc	2-3 weeks	6.40 kg	3.696	4.620
	Walnut				4.292	5.365
White	Oak	1 pc	2-3 weeks	6.40 kg	3.696	4.620
	Walnut				4.292	5.365
Beige Sand	Oak	1 pc	2-3 weeks	6.40 kg	3.696	4.620
	Walnut				4.292	5.365
Red Brown	Oak	1 pc	2-3 weeks	6.40 kg	3.696	4.620
	Walnut				4.292	5.365
Light Blue	Oak	1 pc	2-3 weeks	6.40 kg	3.696	4.620
	Walnut				4.292	5.365
Stone Grey	Oak	1 pc	2-3 weeks	6.40 kg	3.696	4.620
	Walnut				4.292	5.365

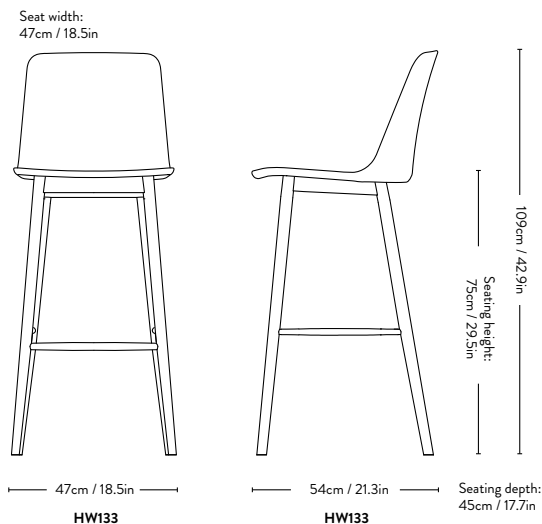
Product no.	Product	Variant	Lead time	PRICE EX. VAT (SEK)	PRICE INC. VAT (SEK)
156121	Footrest protector Rely Bar & Counter Chair HW128-HW137	Brushed Steel	2-3 weeks	352	440
145307	Plastic gliders for Drawn, Elefy w. wood base, Rely w. tube (ex. stacking) & wood base, Muno, and Meantime Lounge Chairs, 4 pcs	Black	Stock item	88	110
145308	Felt gliders for Drawn, Elefy w. wood base, Rely w. tube (ex. stacking) & wood base, Muno, and Meantime Lounge Chairs, 4 pcs	Black	Stock item	88	110



Made using FSC® certified wood, supporting responsible environmental, social and economical management of the world's forests. Visit www.fsc.org

Material: Shell made from 100% recycled polypropylene with fiber glass. Water based lacquered oak or walnut base.

Plastic gliders installed as standard. Felt gliders available upon request.



NEW

Rely HW134 Hee Welling 2026



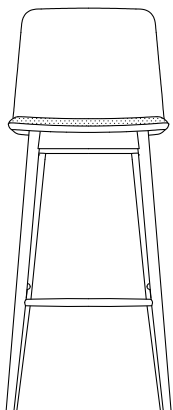
Fabric gr.	Shell	Seat Cushion Upholstery	Base	Lead time	Weight	PRICE EX. VAT (SEK)	PRICE INC. VAT (SEK)
Fabric gr. 1	Plastic	Grain, Hot Madison, Remix, Re-Wool	Oak Walnut	4-6 weeks	7.20 kg	4.888 5.488	6.110 6.860
Fabric gr. 2	Plastic	Asator, Barnum, Canvas, Fiord	Oak Walnut	4-6 weeks	7.20 kg	5.248 5.844	6.560 7.305
Fabric gr. 3	Plastic	Clay, Hallingdal, Mylla, Steelcut Quartet, Steelcut Trio	Oak Walnut	4-6 weeks	7.20 kg	5.368 5.964	6.710 7.455
Fabric gr. 4	Plastic	Acca, Beda, Cifrado, Ecriture, Moss, Vidar	Oak Walnut	4-6 weeks	7.20 kg	5.724 6.324	7.155 7.905
Fabric gr. 5	Plastic	Gentle, Karakorum, Sisu	Oak Walnut	4-6 weeks	7.20 kg	6.204 6.800	7.755 8.500
Fabric gr. 6	Plastic	Fuse, Tiger Mountain**	Oak Walnut	4-6 weeks	7.20 kg	6.800 7.396	8.500 9.245
Leather	Plastic	Tailor Semi-aniline leather	Oak Walnut	4-6 weeks	7.20 kg	5.368 5.964	6.710 7.455
Leather	Plastic	Noble Aniline leather	Oak Walnut	4-6 weeks	7.20 kg	5.724 6.324	7.155 7.905
Leather	Plastic	Elmosoft Semi-aniline leather	Oak Walnut	4-6 weeks	7.20 kg	6.084 6.680	7.605 8.350
COM	Plastic	Fabric	Oak Walnut	4-6 weeks	7.20 kg	4.888 5.488	6.110 6.860

Product no.	Product	Variant	Lead time	PRICE EX. VAT (SEK)	PRICE INC. VAT (SEK)
156121	Footrest protector Rely Bar & Counter Chair HW128-HW137	Brushed Steel	4-6 weeks	352	440
145307	Plastic gliders for Drawn, Elefy w. wood base, Rely w. tube (ex. stacking) & wood base, Muno, and Meantime Lounge Chairs, 4 pcs	Black	Stock item	88	110
145308	Felt gliders for Drawn, Elefy w. wood base, Rely w. tube (ex. stacking) & wood base, Muno, and Meantime Lounge Chairs, 4 pcs	Black	Stock item	88	110

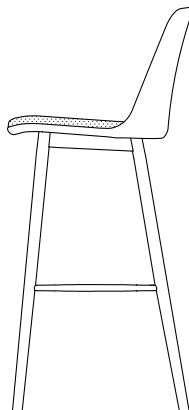


Made using FSC® certified wood, supporting responsible environmental, social and economical management of the world's forests. Visit www.fsc.org

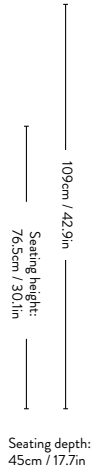
Seat width:
47cm / 18.5in



47cm / 18.5in
HW134



54cm / 21.3in
HW134



Seating height:
109cm / 42.9in
Seating depth:
45cm / 17.7in

Plastic shell variants

Black, White, Beige Sand, Red Brown, Light Blue, Stone Grey

Material: Shell made from 100% recycled polypropylene with fiber glass, HR foam seat covered with fabric or leather upholstery, steel tube base.

Plastic gliders installed as standard.
Felt gliders available upon request.

Fabric usage: 0.8 meter based on a 140 cm roll.

Leather usage: 1 square meter based on a yield of 60% pr hide.

COM must be approved by &Tradition to ensure suitability for upholstery.

** Please be aware that the placement of the pattern may vary from piece to piece due to optimal usage of fabric when cutting. Patterns may not align at seams or edges

NEW

Rely HW135 Hee Welling 2026



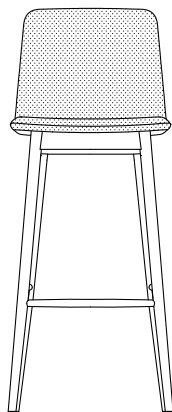
Fabric gr.	Upholstery	Base	Lead time	Weight	PRICE EX. VAT (SEK)	PRICE INC. VAT (SEK)
Fabric gr. 1	Grain, Hot Madison, Remix, Re-Wool	Oak	4-6 weeks	6.90 kg	5.844	7.305
		Walnut			6.440	8.050
Fabric gr. 2	Asator, Barnum, Canvas, Fiord	Oak	4-6 weeks	6.90 kg	6.560	8.200
		Walnut			7.160	8.950
Fabric gr. 3	Clay, Hallingdal, Mylla, Steelcut Quartet, Steelcut Trio	Oak	4-6 weeks	6.90 kg	6.800	8.500
		Walnut			7.396	9.245
Fabric gr. 4	Acca, Beda, Cifrado, Ecriture, Moss, Vidar	Oak	4-6 weeks	6.90 kg	7.396	9.245
		Walnut			7.996	9.995
Fabric gr. 5	Gentle, Karakorum, Sisu	Oak	4-6 weeks	6.90 kg	8.828	11.035
		Walnut			9.428	11.785
Fabric gr. 6	Fuse, Tiger Mountain**	Oak	4-6 weeks	6.90 kg	9.664	12.080
		Walnut			10.264	12.830
Leather	Tailor Semi-aniline leather	Oak	4-6 weeks	6.90 kg	7.756	9.695
		Walnut			8.352	10.440
Leather	Noble Aniline leather	Oak	4-6 weeks	6.90 kg	8.112	10.140
		Walnut			8.712	10.890
Leather	Elmosoft Semi-aniline leather	Oak	4-6 weeks	6.90 kg	8.712	10.890
		Walnut			9.308	11.635
COM	Fabric	Oak	4-6 weeks	6.90 kg	5.844	7.305
		Walnut			6.440	8.050

Product no.	Product	Variant	Lead time	PRICE EX. VAT (SEK)	PRICE INC. VAT (SEK)
156121	Footrest protector Rely Bar & Counter Chair HW128-HW137	Brushed Steel	4-6 weeks	352	440
145307	Plastic gliders for Drawn, Elefy w. wood base, Rely w. tube (ex. stacking) & wood base, Muno, and Meantime Lounge Chairs, 4 pcs	Black	Stock item	88	110
145308	Felt gliders for Drawn, Elefy w. wood base, Rely w. tube (ex. stacking) & wood base, Muno, and Meantime Lounge Chairs, 4 pcs	Black	Stock item	88	110

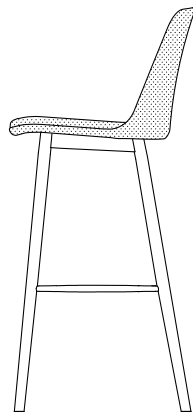


Made using FSC® certified wood, supporting responsible environmental, social and economical management of the world's forests. Visit www.fsc.org

Seat width:
47cm / 18.5in



47cm / 18.5in
HW135



54cm / 21.3in
HW135

109cm / 42.9in
Seating height:
76.5cm / 30.1in
Seating depth:
45cm / 17.7in

Material: Shell made from 100% recycled polypropylene with fiber glass, covered with HR foam with fabric or leather upholstery. Water based lacquered oak or walnut base.

Plastic gliders installed as standard.
Felt gliders available upon request.

Fabric usage: 1.4 meters based on a 140cm roll.
Leather usage: 1.7 square meters based on a yield of 60% pr hide.

COM must be approved by &Tradition to ensure suitability for upholstery.

** Please be aware that the placement of the pattern may vary from piece to piece due to optimal usage of fabric when cutting. Patterns may not align at seams or edges

NEW

Rely HW136 Hee Welling 2026



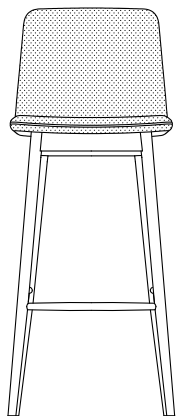
Fabric gr.	Upholstery	Base	Lead time	Weight	PRICE EX. VAT (SEK)	PRICE INC. VAT (SEK)
Fabric gr. 1	Grain, Hot Madison, Remix, Re-Wool	Oak	4-6 weeks	8.00 kg	6.084	7.605
		Walnut			6.680	8.350
Fabric gr. 2	Asator, Barnum, Canvas, Fiord	Oak	4-6 weeks	8.00 kg	6.800	8.500
		Walnut			7.396	9.245
Fabric gr. 3	Clay, Hallingdal, Mylla, Steelcut Quartet, Steelcut Trio	Oak	4-6 weeks	8.00 kg	7.040	8.800
		Walnut			7.636	9.545
Fabric gr. 4	Acca, Beda, Cifrado, Ecriture, Moss, Vidar	Oak	4-6 weeks	8.00 kg	7.636	9.545
		Walnut			8.232	10.290
Fabric gr. 5	Gentle, Karakorum, Sisu	Oak	4-6 weeks	8.00 kg	9.068	11.335
		Walnut			9.664	12.080
Fabric gr. 6	Fuse, Tiger Mountain**	Oak	4-6 weeks	8.00 kg	9.904	12.380
		Walnut			10.500	13.125
Leather	Tailor Semi-aniline leather	Oak	4-6 weeks	8.00 kg	7.996	9.995
		Walnut			8.592	10.740
Leather	Noble Aniline leather	Oak	4-6 weeks	8.00 kg	8.352	10.440
		Walnut			8.948	11.185
Leather	Elmosoft Semi-aniline leather	Oak	4-6 weeks	8.00 kg	9.428	11.785
		Walnut			10.024	12.530
COM	Fabric	Oak	4-6 weeks	8.00 kg	6.084	7.605
		Walnut			6.680	8.350

Product no.	Product	Variant	Lead time	PRICE EX. VAT (SEK)	PRICE INC. VAT (SEK)
156121	Footrest protector Rely Bar & Counter Chair HW128-HW137	Brushed Steel	4-6 weeks	352	440
145307	Plastic gliders for Drawn, Elefy w. wood base, Rely w. tube (ex. stacking) & wood base, Muno, and Meantime Lounge Chairs, 4 pcs	Black	Stock item	88	110
145308	Felt gliders for Drawn, Elefy w. wood base, Rely w. tube (ex. stacking) & wood base, Muno, and Meantime Lounge Chairs, 4 pcs	Black	Stock item	88	110

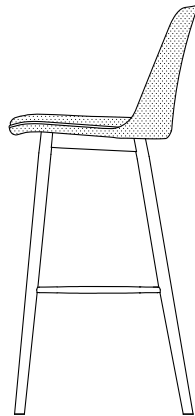


Made using FSC® certified wood, supporting responsible environmental, social and economical management of the world's forests. Visit www.fsc.org

Seat width:
47cm / 18.5in



47cm / 18.5in
HW136



54cm / 21.3in
HW136

Seating height:
109cm / 42.9in
Seating depth:
45cm / 17.7in

Material: Shell made from 100% recycled polypropylene with fiber glass, covered with HR foam with fabric or leather upholstery. Water based lacquered oak or walnut base.

Plastic gliders installed as standard.
Felt gliders available upon request.

Fabric usage: 1.4 meters based on a 140cm roll.
Leather usage: 1.7 square meters based on a yield of 60% pr hide.

COM must be approved by &Tradition to ensure suitability for upholstery.

** Please be aware that the placement of the pattern may vary from piece to piece due to optimal usage of fabric when cutting. Patterns may not align at seams or edges

Rely ^{HW101} Hee Welling 2022



Shell Variant	Base	Colli qty.	Lead time	Weight	PRICE EX. VAT (SEK)	PRICE INC. VAT (SEK)
Black	Black	1 pc	2-3 weeks	6.40 kg	2.740	3.425
White	Black	1 pc	2-3 weeks	6.40 kg	2.740	3.425
Beige Sand	Black	1 pc	2-3 weeks	6.40 kg	2.740	3.425
Red Brown	Black	1 pc	2-3 weeks	6.40 kg	2.740	3.425
Light Blue	Black	1 pc	2-3 weeks	6.40 kg	2.740	3.425
Stone Grey	Black	1 pc	2-3 weeks	6.40 kg	2.740	3.425

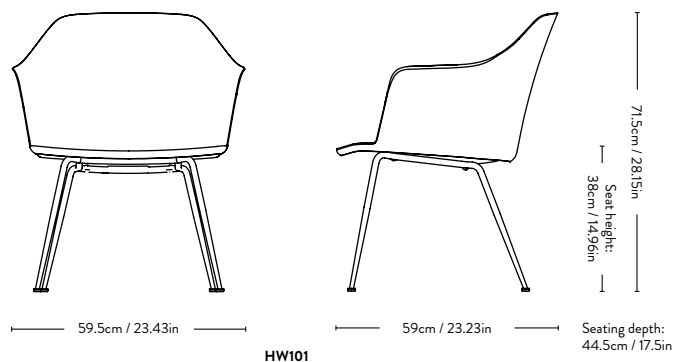
Product no.	Product	Variant	Lead time	PRICE EX. VAT (SEK)	PRICE INC. VAT (SEK)
145307	Plastic gliders for Drawn, Elefy w. wood base, Rely w. tube (ex. stacking) & wood base, Muno, and Meantime Lounge Chairs, 4 pcs	Black	Stock item	88	110
145308	Felt gliders for Drawn, Elefy w. wood base, Rely w. tube (ex. stacking) & wood base, Muno, and Meantime Lounge Chairs, 4 pcs	Black	Stock item	88	110



EU Ecolabel certified, validating high standards of durability, circular design, and responsible use of chemicals. Please contact our sales team for a list of EU Ecolabel compliant combinations.

Material: Shell is made from 100% recycled polypropylene with fiber glass.

Plastic gliders installed as standard. Felt gliders available upon request.



Rely^{HW102} Hee Welling 2022



Fabric gr.	Shell	Seat Cushion Upholstery	Base	Lead time	Weight	PRICE EX. VAT (SEK)	PRICE INC. VAT (SEK)
Fabric gr. 1	Plastic	Grain, Hot Madison, Remix, Re-Wool	Black	4-6 weeks	7.60 kg	3.936	4.920
Fabric gr. 2	Plastic	Asator, Barnum, Canvas, Fiord	Black	4-6 weeks	7.60 kg	4.412	5.515
Fabric gr. 3	Plastic	Clay, Hallingdal, Mylla, Steelcut Quartet, Steelcut Trio	Black	4-6 weeks	7.60 kg	4.652	5.815
Fabric gr. 4	Plastic	Acca, Cifrado, Ecriture, Moss, Vidar	Black	4-6 weeks	7.60 kg	4.888	6.110
Fabric gr. 5	Plastic	Gentle, Karakorum, Sisu	Black	4-6 weeks	7.60 kg	5.368	6.710
Fabric gr. 6	Plastic	Fuse, Tiger Mountain**	Black	4-6 weeks	7.60 kg	5.844	7.305
Leather	Plastic	Tailor Semi-aniline leather	Black	4-6 weeks	7.60 kg	4.532	5.665
Leather	Plastic	Noble Aniline leather	Black	4-6 weeks	7.60 kg	4.888	6.110
Leather	Plastic	Elmosoft Semi-aniline leather	Black	4-6 weeks	7.60 kg	5.248	6.560
COM	Plastic	Fabric	Black	4-6 weeks	7.60 kg	3.936	4.920

Product no.	Product	Variant	Lead time	PRICE EX. VAT (SEK)	PRICE INC. VAT (SEK)
145307	Plastic gliders for Drawn, Elefy w. wood base, Rely w. tube (ex. stacking) & wood base, Muno, and Meantime Lounge Chairs, 4 pcs	Black	Stock item	88	110
145308	Felt gliders for Drawn, Elefy w. wood base, Rely w. tube (ex. stacking) & wood base, Muno, and Meantime Lounge Chairs, 4 pcs	Black	Stock item	88	110

** Please be aware that the placement of the pattern may vary from piece to piece due to optimal usage of fabric when cutting. Patterns may not align at seams or edges



EU Ecolabel certified, validating high standards of durability, circular design, and responsible use of chemicals. Please contact our sales team for a list of EU Ecolabel compliant combinations.

Plastic shell variants

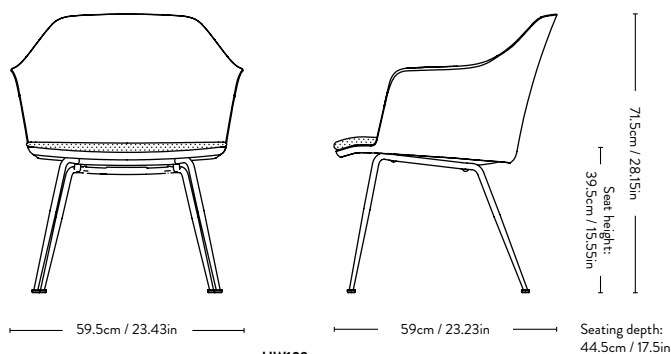
Black, White, Beige Sand, Red Brown, Light Blue, Stone Grey

Material: Shell made from 100% recycled polypropylene with fiber glass, covered with HR foam with fabric or leather upholstery, steel tube base.

Plastic gliders installed as standard.
Felt gliders available upon request.

Fabric usage: 0.8 meter based on a 140 cm roll.
Leather usage: 1 square meter based on a yield of 60% pr hide.

COM must be approved by &Tradition to ensure suitability for upholstery.



HW102

Rely HW103 Hee Welling 2022



Fabric gr.	Upholstery	Base	Lead time	Weight	PRICE EX. VAT (SEK)	PRICE INC. VAT (SEK)
Fabric gr. 1	Grain, Hot Madison, Remix, Re-Wool	Black	4-6 weeks	7.10 kg	5.128	6.410
Fabric gr. 2	Asator, Barnum, Canvas, Fiord	Black	4-6 weeks	7.10 kg	5.844	7.305
Fabric gr. 3	Clay, Hallingdal, Mylla, Steelcut Quartet, Steelcut Trio	Black	4-6 weeks	7.10 kg	6.084	7.605
Fabric gr. 4	Acca, Cifrado, Ecriture, Moss, Vidar	Black	4-6 weeks	7.10 kg	6.800	8.500
Fabric gr. 5	Gentle, Karakorum, Sisu	Black	4-6 weeks	7.10 kg	9.068	11.335
Fabric gr. 6	Fuse, Tiger Mountain**	Black	4-6 weeks	7.10 kg	10.024	12.530
Leather	Tailor Semi-aniline leather	Black	4-6 weeks	7.10 kg	7.160	8.950
Leather	Noble Aniline leather	Black	4-6 weeks	7.10 kg	8.592	10.740
Leather	Elmosoft Semi-aniline leather	Black	4-6 weeks	7.10 kg	9.428	11.785
COM	Fabric	Black	4-6 weeks	7.10 kg	5.128	6.410

Product no.	Product	Variant	Lead time	PRICE EX. VAT (SEK)	PRICE INC. VAT (SEK)
145307	Plastic gliders for Drawn, Elefy w. wood base, Rely w. tube (ex. stacking) & wood base, Muno, and Meantime Lounge Chairs, 4 pcs	Black	Stock item	88	110
145308	Felt gliders for Drawn, Elefy w. wood base, Rely w. tube (ex. stacking) & wood base, Muno, and Meantime Lounge Chairs, 4 pcs	Black	Stock item	88	110

** Please be aware that the placement of the pattern may vary from piece to piece due to optimal usage of fabric when cutting. Patterns may not align at seams or edges



EU Ecolabel certified, validating high standards of durability, circular design, and responsible use of chemicals. Please contact our sales team for a list of EU Ecolabel compliant combinations.

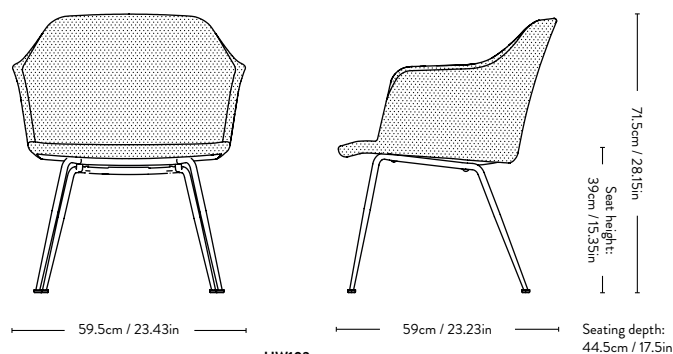
Material: Shell made from 100% recycled polypropylene with fiber glass, covered with HR foam with fabric or leather upholstery, steel tube base.

Plastic gliders installed as standard. Felt gliders available upon request.

Fabric usage: 1.5 meters based on 140cm roll.

Leather usage: 2.8 square meters based on a yield of 60% pr hide.

COM must be approved by &Tradition to ensure suitability for upholstery.



Rely HW104

Hee Welling

2022



Fabric gr.	Upholstery	Base	Lead time	Weight	PRICE EX. VAT (SEK)	PRICE INC. VAT (SEK)
Fabric gr. 1	Grain, Hot Madison, Remix, Re-Wool	Black	4-6 weeks	7.40 kg	5.488	6.860
Fabric gr. 2	Asator, Barnum, Canvas, Fiord	Black	4-6 weeks	7.40 kg	6.204	7.755
Fabric gr. 3	Clay, Hallingdal, Mylla, Steelcut Quartet, Steelcut Trio	Black	4-6 weeks	7.40 kg	6.440	8.050
Fabric gr. 4	Acca, Cifrado, Ecriture, Moss, Vidar	Black	4-6 weeks	7.40 kg	7.160	8.950
Fabric gr. 5	Gentle, Karakorum, Sisu	Black	4-6 weeks	7.40 kg	9.428	11.785
Fabric gr. 6	Fuse, Tiger Mountain**	Black	4-6 weeks	7.40 kg	10.384	12.980
Leather	Tailor Semi-aniline leather	Black	4-6 weeks	7.40 kg	7.516	9.395
Leather	Noble Aniline leather	Black	4-6 weeks	7.40 kg	8.948	11.185
Leather	Elmosoft Semi-aniline leather	Black	4-6 weeks	7.40 kg	10.024	12.530
COM	Fabric	Black	4-6 weeks	7.40 kg	5.488	6.860

Product no.	Product	Variant	Lead time	PRICE EX. VAT (SEK)	PRICE INC. VAT (SEK)
145307	Plastic gliders for Drawn, Elefy w. wood base, Rely w. tube (ex. stacking) & wood base, Muno, and Meantime Lounge Chairs, 4 pcs	Black	Stock item	88	110
145308	Felt gliders for Drawn, Elefy w. wood base, Rely w. tube (ex. stacking) & wood base, Muno, and Meantime Lounge Chairs, 4 pcs	Black	Stock item	88	110

** Please be aware that the placement of the pattern may vary from piece to piece due to optimal usage of fabric when cutting. Patterns may not align at seams or edges



EU Ecolabel certified, validating high standards of durability, circular design, and responsible use of chemicals. Please contact our sales team for a list of EU Ecolabel compliant combinations.



Made using FSC® certified wood, supporting responsible environmental, social and economical management of the world's forests. Visit www.fsc.org

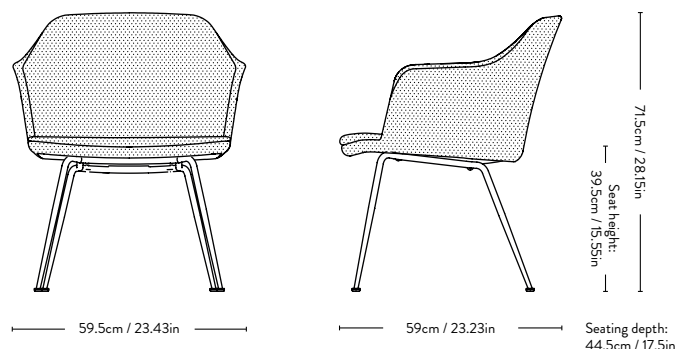
Material: Shell made from 100% recycled polypropylene with fiber glass, covered with HR foam with fabric or leather upholstery, steel tube base.

Plastic gliders installed as standard.
Felt gliders available upon request.

Fabric usage: 1.5 meters based on 140cm roll.

Leather usage: 2.8 square meters based on a yield of 60% pr hide.

COM must be approved by &Tradition to ensure suitability for upholstery.



HW104

Rely Side Chair Seat Pad

Hee Welling

2020



Fabric gr.	Upholstery	Lead time	Weight	PRICE EX. VAT (SEK)	PRICE INC. VAT (SEK)
Fabric gr. 1	Grain, Hot Madison, Remix, Re-Wool	4-6 weeks	0.30 kg	888	1.110
Fabric gr. 2	Asator, Barnum, Canvas, Fiord	4-6 weeks	0.30 kg	1.068	1.335
Fabric gr. 3	Clay, Hallingdal, Mylla, Steelcut Quartet, Steelcut Trio	4-6 weeks	0.30 kg	1.188	1.485
Fabric gr. 4	Acca, Beda, Cifrado, Ecriture, Moss, Vidar	4-6 weeks	0.30 kg	1.428	1.785
Fabric gr. 5	Gentle, Karakorum, Sisu	4-6 weeks	0.30 kg	2.264	2.830
Fabric gr. 6	Fuse, Tiger Mountain**	4-6 weeks	0.30 kg	2.500	3.125
Leather	Tailor Semi-aniline leather	4-6 weeks	0.30 kg	1.068	1.335
Leather	Noble Aniline leather	4-6 weeks	0.30 kg	1.308	1.635
Leather	Elmosoft Semi-aniline leather	4-6 weeks	0.30 kg	1.428	1.785
COM	Fabric	4-6 weeks	0.30 kg	888	1.110

** Please be aware that the placement of the pattern may vary from piece to piece due to optimal usage of fabric when cutting. Patterns may not align at seams or edges

Material: HR foam with anti-slip backing with textile or leather upholstery.

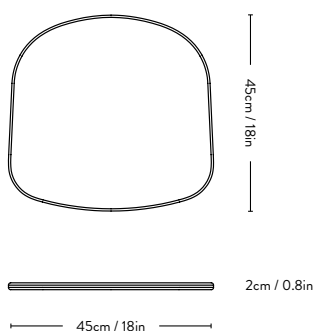
Fabric usage: 0.5 meter based on a 140 cm roll.

Leather usage: 1 square meters based on a yield of 60% pr hide.

Suitable for all Rely plastic Side stools.

COM must be approved by &Tradition to ensure suitability for upholstery.

Minimum order quantity of same variant: 4 pcs.



Rely Armchair Seat Pad Hee Welling 2021



Fabric gr.	Upholstery	Lead time	Weight	PRICE EX. VAT (SEK)	PRICE INC. VAT (SEK)
Fabric gr. 1	Grain, Hot Madison, Remix, Re-Wool	4-6 weeks	0.30 kg	888	1.110
Fabric gr. 2	Asator, Barnum, Canvas, Fiord	4-6 weeks	0.30 kg	1.068	1.335
Fabric gr. 3	Clay, Hallingdal, Mylla, Steelcut Quartet, Steelcut Trio	4-6 weeks	0.30 kg	1.188	1.485
Fabric gr. 4	Acca, Beda, Cifrado, Ecriture, Moss, Vidar	4-6 weeks	0.30 kg	1.428	1.785
Fabric gr. 5	Gentle, Karakorum, Sisu	4-6 weeks	0.30 kg	2.264	2.830
Fabric gr. 6	Fuse, Tiger Mountain**	4-6 weeks	0.30 kg	2.500	3.125
Leather	Tailor Semi-aniline leather	4-6 weeks	0.30 kg	1.068	1.335
Leather	Noble Aniline leather	4-6 weeks	0.30 kg	1.308	1.635
Leather	Elmosoft Semi-aniline leather	4-6 weeks	0.30 kg	1.428	1.785
COM	Fabric	4-6 weeks	0.30 kg	888	1.110

** Please be aware that the placement of the pattern may vary from piece to piece due to optimal usage of fabric when cutting. Patterns may not align at seams or edges

Material: HR foam with anti-slip backing with textile or leather upholstery.

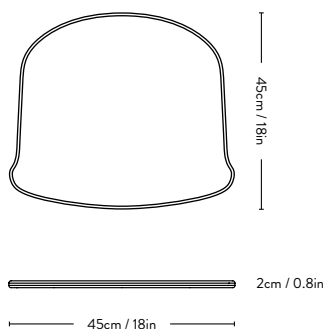
Fabric usage: 0.5 meter based on a 140 cm roll.

Leather usage: 1 square meters based on a yield of 60% pr hide.

Suitable for all Rely plastic armchairs

COM must be approved by &Tradition to ensure suitability for upholstery.

Minimum order quantity of same variant: 4 pcs.



Rely Stool Seat Pad Hee Welling 2021



Fabric gr.	Upholstery	Lead time	Weight	PRICE EX. VAT (SEK)	PRICE INC. VAT (SEK)
Fabric gr. 1	Grain, Hot Madison, Remix, Re-Wool	4-6 weeks	0.30 kg	888	1.110
Fabric gr. 2	Asator, Barnum, Canvas, Fiord	4-6 weeks	0.30 kg	1.068	1.335
Fabric gr. 3	Clay, Hallingdal, Mylla, Steelcut Quartet, Steelcut Trio	4-6 weeks	0.30 kg	1.188	1.485
Fabric gr. 4	Acca, Beda, Cifrado, Ecriture, Moss, Vidar	4-6 weeks	0.30 kg	1.428	1.785
Fabric gr. 5	Gentle, Karakorum, Sisu	4-6 weeks	0.30 kg	2.264	2.830
Fabric gr. 6	Fuse, Tiger Mountain**	4-6 weeks	0.30 kg	2.500	3.125
Leather	Tailor Semi-aniline leather	4-6 weeks	0.30 kg	1.068	1.335
Leather	Noble Aniline leather	4-6 weeks	0.30 kg	1.308	1.635
Leather	Elmosoft Semi-aniline leather	4-6 weeks	0.30 kg	1.428	1.785
COM	Fabric	4-6 weeks	0.30 kg	888	1.110

** Please be aware that the placement of the pattern may vary from piece to piece due to optimal usage of fabric when cutting. Patterns may not align at seams or edges

Material: HR foam with anti-slip backing with textile or leather upholstery.

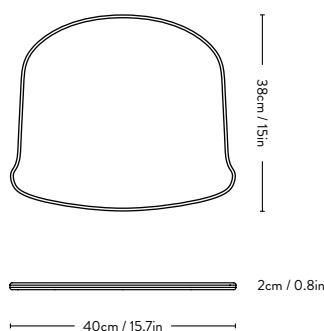
Fabric usage: 0.5 meter based on a 140 cm roll.

Leather usage: 1 square meters based on a yield of 60% pr hide.

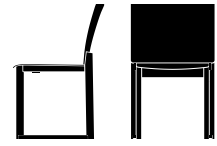
Suitable for all Rely plastic stools

COM must be approved by &Tradition to ensure suitability for upholstery.

Minimum order quantity of same variant: 4 pcs.



Allwood AV35 Anderssen & Voll 2024



Product no.	Variant	Variant	Colli qty.	Lead time	Weight	PRICE EX. VAT (SEK)	PRICE INC. VAT (SEK)
135298	Chair	Lacquered Oak	2 pcs	Stock item	5.80 kg	5.144	6.430
146860	Chair w. Linking device	Lacquered Oak	2 pcs	8-10 weeks	6.20 kg	6.076	7.595
135742	Stacking trolley	Lacquered Oak	1 pc	Stock item	9.30 kg	5.964	7.455

Product no.	Product	Variant	Colli qty.	Lead time	Weight	PRICE EX. VAT (SEK)	PRICE INC. VAT (SEK)
135743	Plastic Glider for Allwood, 4 pcs.	Black		Stock item		112	140
135744	Felt Glider for Allwood, 4 pcs.	Black		Stock item		112	140



EU Ecolabel certified, validating high standards of durability, circular design, and responsible use of chemicals. Please contact our sales team for a list of EU Ecolabel compliant combinations.

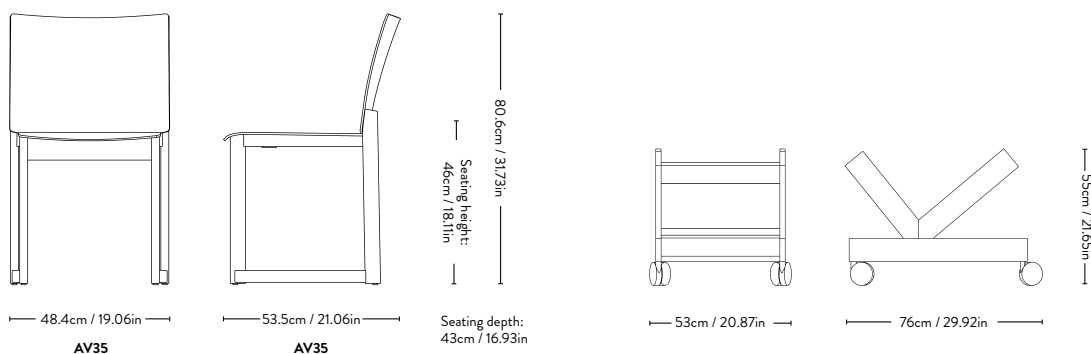


Made using FSC® certified wood, supporting responsible environmental, social and economical management of the world's forests. Visit www.fsc.org

Material: Water based lacquered solid oak & oak veneer

Plastic gliders installed as standard. Felt gliders available upon request.

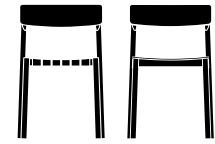
Stacking quantity: 12 pcs



Betty TK1 & TK2

Thau & Kallio

2019



Product no.	Variant	Webbing	Product code	Colli qty.	Lead time	Weight	PRICE EX. VAT (SEK)	PRICE INC. VAT (SEK)
134353A017	Black	Natural	TK1	2 pcs	Stock item	4.00 kg	4.412	5.515
134354A017	Oak	Natural	TK1	2 pcs	Stock item	4.00 kg	4.412	5.515
135529A017	Smoked Oak	Natural	TK1	2 pcs	Stock item	4.00 kg	4.412	5.515
134353A016	Black	Black	TK1	2 pcs	Stock item	4.00 kg	4.412	5.515
134359	Black		TK2	2 pcs	Stock item	4.70 kg	3.576	4.470
134360	Oak		TK2	2 pcs	Stock item	4.70 kg	3.576	4.470
135531	Smoked Oak		TK2	2 pcs	Stock item	4.70 kg	3.576	4.470

Product no.	Product	Variant	Colli qty.	Lead time	Weight	PRICE EX. VAT (SEK)	PRICE INC. VAT (SEK)
134562	Linking device (must be specified with the order)		1 pc	6-8 weeks	0.40 kg	712	890
145306	Plastic gliders for In Between Chairs, Betty Chairs, and RFH Dining & Lounge Chair, 4 pcs	Black		Stock item		88	110
145309	Felt gliders for In Between Chairs, Betty Chairs, and RFH Dining & Lounge Chair, 4 pcs	Black		Stock item		88	110



TK2: EU Ecolabel certified, validating high standards of durability, circular design, and responsible use of chemicals. Please contact our sales team for a list of EU Ecolabel compliant combinations.

EU Ecolabel | DK/049/2002



Made using FSC® certified wood, supporting responsible environmental, social and economical management of the world's forests. Visit www.fsc.org

Frame Seat

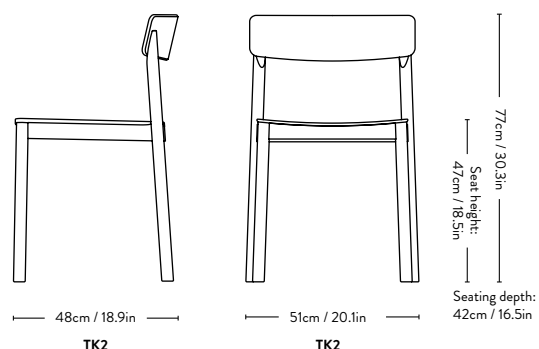
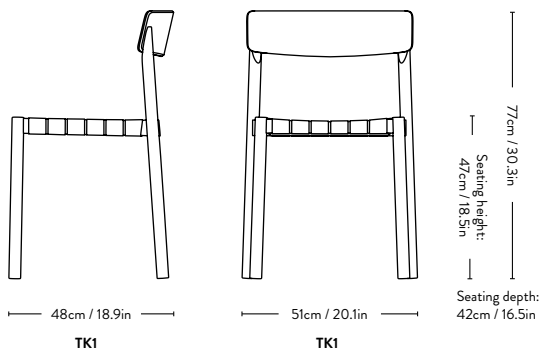
TK1 Wood Natural or Black Linen and PP webbing
TK2 Wood Veneer

Material: Water based lacquered or oiled solid wood and formpressed veneer with seat in natural or black linen and PP webbing or form pressed veneer.

TK1, TK2 Black water based lacquered ash.
TK1, TK2 Water based lacquered oak and Smoked oiled oak.

Plastic gliders installed as standard.
Felt gliders available upon request.

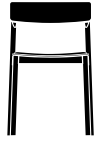
Stackable chair: 8 pcs



Betty TK3

Thau & Kallio

2019



Product no.	Variant	Colli qty.	Frame	Lead time	Weight	PRICE EX. VAT (SEK)	PRICE INC. VAT (SEK)
134365A235A030A501	Noble Aniline leather Black	2 pcs	Black	Stock item	5.60 kg	5.368	6.710
134366A235A030A502	Noble Aniline leather Cognac	2 pcs	Oak	Stock item	5.60 kg	5.368	6.710
135533A235A030A501	Noble Aniline leather Black	2 pcs	Smoked Oak	Stock item	5.60 kg	5.368	6.710

Fabric gr.	Upholstery	Frame	Lead time	Weight	PRICE EX. VAT (SEK)	PRICE INC. VAT (SEK)
Fabric gr. 1	Grain, Hot Madison, Remix, Re-Wool	Black, Oak, Smoked Oak	6-8 weeks	5.60 kg	4.772	5.965
Fabric gr. 2	Asator, Barnum, Canvas, Fiord	Black, Oak, Smoked Oak	6-8 weeks	5.60 kg	5.008	6.260
Fabric gr. 3	Clay, Hallingdal, Mylla, Steelcut Quartet, Steelcut Trio	Black, Oak, Smoked Oak	6-8 weeks	5.60 kg	5.128	6.410
Fabric gr. 4	Acca, Beda, Cifrado, Ecriture, Moss, Vidar	Black, Oak, Smoked Oak	6-8 weeks	5.60 kg	5.248	6.560
Fabric gr. 5	Gentle, Karakorum, Sisu, Zade*	Black, Oak, Smoked Oak	6-8 weeks	5.60 kg	5.604	7.005
Fabric gr. 6	Fuse, Tiger Mountain**	Black, Oak, Smoked Oak	6-8 weeks	5.60 kg	6.204	7.755
Leather	Tailor Semi-aniline leather	Black, Oak, Smoked Oak	6-8 weeks	5.60 kg	4.888	6.110
Leather	Noble Aniline leather	Black, Oak, Smoked Oak	6-8 weeks	5.60 kg	5.368	6.710
Leather	Elmosoft Semi-aniline leather	Black, Oak, Smoked Oak	6-8 weeks	5.60 kg	5.724	7.155
COM	Fabric	Black, Oak, Smoked Oak	6-8 weeks	5.60 kg	4.772	5.965

Product no.	Product	Variant	Colli qty.	Lead time	Weight	PRICE EX. VAT (SEK)	PRICE INC. VAT (SEK)
134562	Linking device (must be specified with the order)		1 pc	6-8 weeks	0.40 kg	712	890
145306	Plastic gliders for In Between Chairs, Betty Chairs, and RFH Dining & Lounge Chair, 4 pcs	Black		Stock item		88	110
145309	Felt gliders for In Between Chairs, Betty Chairs, and RFH Dining & Lounge Chair, 4 pcs	Black		Stock item		88	110

* Please be aware that patterns may not align at seams or edges

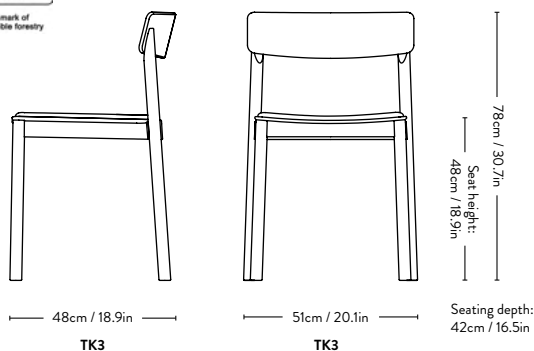
** Please be aware that the placement of the pattern may vary from piece to piece due to optimal usage of fabric when cutting. Patterns may not align at seams or edges



EU Ecolabel certified, validating high standards of durability, circular design, and responsible use of chemicals. Please contact our sales team for a list of EU Ecolabel compliant combinations.



Made using FSC® certified wood, supporting responsible environmental, social and economical management of the world's forests. Visit www.fsc.org



Frame Seat

TK3 Wood Upholstered

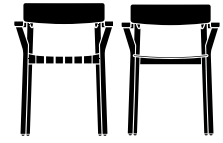
Material: Water based lacquered or oiled solid wood and formpressed veneer with upholstered HR foam seat.
TK3 Black water based lacquered ash.
TK3 Water based lacquered oak and Smoked oiled oak.

Fabric usage: 0.36 meter cm based on a 140 cm roll
Leather usage: 0.36 square meters based on a yield of 60% pr hide.

COM must be approved by &Tradition to ensure suitability for upholstery.

Plastic gliders installed as standard.
Felt gliders available upon request.

Betty^{TK9 & TK10} Thau & Kallio 2024



Product no.	Variant	Webbing	Product code	Colli qty.	Lead time	Weight	PRICE EX. VAT (SEK)	PRICE INC. VAT (SEK)
135541A017	Oak	Natural	TK9	2 pcs	Stock item	5.00 kg	6.560	8.200
135542A017	Black	Natural	TK9	2 pcs	Stock item	5.00 kg	6.560	8.200
135569A017	Smoked Oak	Natural	TK9	2 pcs	Stock item	5.00 kg	6.560	8.200
135542A016	Black	Black	TK9	2 pcs	Stock item	5.00 kg	6.560	8.200
135566	Oak		TK10	2 pcs	Stock item	5.00 kg	5.724	7.155
135567	Black		TK10	2 pcs	Stock item	5.00 kg	5.724	7.155
135568	Smoked Oak		TK10	2 pcs	Stock item	5.00 kg	5.724	7.155

Product no.	Product	Variant	Lead time	PRICE EX. VAT (SEK)	PRICE INC. VAT (SEK)
145306	Plastic gliders for In Between Chairs, Betty Chairs, and RFH Dining & Lounge Chair, 4 pcs	Black	Stock item	88	110
145309	Felt gliders for In Between Chairs, Betty Chairs, and RFH Dining & Lounge Chair, 4 pcs	Black	Stock item	88	110



TK10: EU Ecolabel certified, validating high standards of durability, circular design, and responsible use of chemicals. Please contact our sales team for a list of EU Ecolabel compliant combinations.



Made using FSC® certified wood, supporting responsible environmental, social and economical management of the world's forests. Visit www.fsc.org

Frame Seat

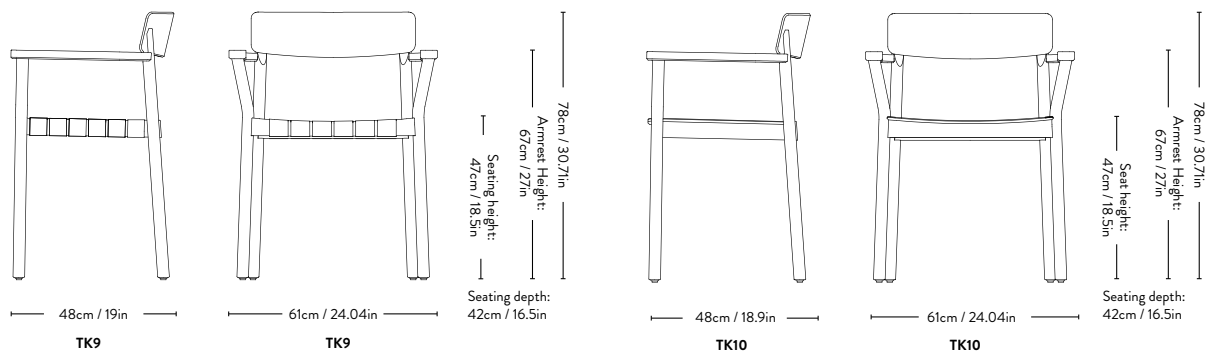
TK9 Wood Natural or Black Linen and PP webbing
TK10 Wood Veneer

Material: Water based lacquered or oiled solid wood and formpressed veneer with seat in natural or black linen and PP webbing or form pressed veneer.

TK9, TK10 Black water based lacquered ash.
TK9, TK10 Water based lacquered oak and Smoked oiled oak.

Plastic gliders installed as standard.
Felt gliders available upon request.

Stackable chair: 8 pcs



Betty^{TK11} Thau & Kallio 2024



Product no.	Variant	Colli qty.	Frame	Lead time	Weight	PRICE EX. VAT (SEK)	PRICE INC. VAT (SEK)
135547A235A030A502	Noble Aniline leather Cognac	2 pcs	Oak	Stock item	5.60 kg	7.516	9.395
135548A235A030A501	Noble Aniline leather Black	2 pcs	Black	Stock item	5.60 kg	7.516	9.395
135549A235A030A501	Noble Aniline leather Black	2 pcs	Smoked oak	Stock item	5.60 kg	7.516	9.395

Fabric gr.	Upholstery	Frame	Lead time	Weight	PRICE EX. VAT (SEK)	PRICE INC. VAT (SEK)
Fabric gr. 1	Grain, Hot Madison, Remix, Re-Wool	Black, Oak, Smoked Oak	6-8 weeks	5.60 kg	6.920	8.650
Fabric gr. 2	Asator, Barnum, Canvas, Fiord	Black, Oak, Smoked Oak	6-8 weeks	5.60 kg	7.160	8.950
Fabric gr. 3	Clay, Hallingdal, Mylla, Steelcut Quartet, Steelcut Trio	Black, Oak, Smoked Oak	6-8 weeks	5.60 kg	7.276	9.095
Fabric gr. 4	Acca, Beda, Cifrado, Ecriture, Moss, Vidar	Black, Oak, Smoked Oak	6-8 weeks	5.60 kg	7.396	9.245
Fabric gr. 5	Gentle, Karakorum, Sisu, Zade*	Black, Oak, Smoked Oak	6-8 weeks	5.60 kg	7.756	9.695
Fabric gr. 6	Fuse, Tiger Mountain**	Black, Oak, Smoked Oak	6-8 weeks	5.60 kg	8.352	10.440
Leather	Tailor Semi-aniline leather	Black, Oak, Smoked Oak	6-8 weeks	5.60 kg	7.040	8.800
Leather	Noble Aniline leather	Black, Oak, Smoked Oak	6-8 weeks	5.60 kg	7.516	9.395
Leather	Elmosoft Semi-aniline leather	Black, Oak, Smoked Oak	6-8 weeks	5.60 kg	7.876	9.845
COM	Fabric	Black, Oak, Smoked Oak	6-8 weeks	5.60 kg	6.920	8.650

Product no.	Product	Variant	Lead time	PRICE EX. VAT (SEK)	PRICE INC. VAT (SEK)
145306	Plastic gliders for In Between Chairs, Betty Chairs, and RFH Dining & Lounge Chair, 4 pcs	Black	Stock item	88	110
145309	Felt gliders for In Between Chairs, Betty Chairs, and RFH Dining & Lounge Chair, 4 pcs	Black	Stock item	88	110

* Please be aware that patterns may not align at seams or edges

** Please be aware that the placement of the pattern may vary from piece to piece due to optimal usage of fabric when cutting. Patterns may not align at seams or edges

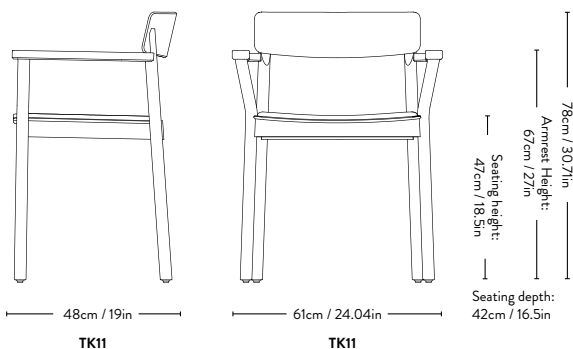


EU Ecolabel certified, validating high standards of durability, circular design, and responsible use of chemicals. Please contact our sales team for a list of EU Ecolabel compliant combinations.

EU Ecolabel | DK/049/2002



Made using FSC® certified wood, supporting responsible environmental, social and economical management of the world's forests. Visit www.fsc.org



Frame Seat

TK11 Wood Upholstered

Material: Water based lacquered or oiled solid wood and formpressed veneer with upholstered HR foam seat.

TK11 Black water based lacquered ash.
TK11 Water based lacquered oak and Smoked oiled oak.

Fabric usage: 0.36 meter cm based on a 140 cm roll
Leather usage: 0.36 square meters based on a yield of 60% pr hide.

COM must be approved by &Tradition to ensure suitability for upholstery.

Plastic gliders installed as standard.
Felt gliders available upon request.

Betty^{TK4 & TK5} Thau & Kallio 2019



Product no.	Variant	Product code	Webbing	Colli qty.	Lead time	Weight	PRICE EX. VAT (SEK)	PRICE INC. VAT (SEK)
134371A017	Black	TK4	Natural	1 pc	Stock item	5.80 kg	6.560	8.200
134371A016	Black	TK4	Black	1 pc	Stock item	5.80 kg	6.560	8.200
134372A017	Oak	TK4	Natural	1 pc	Stock item	5.80 kg	6.560	8.200
135535A017	Smoked Oak	TK4	Natural	1 pc	Stock item	5.80 kg	6.560	8.200
134374A017	Black	TK5	Natural	1 pc	Stock item	7.40 kg	7.756	9.695
134374A016	Black	TK5	Black	1 pc	Stock item	7.40 kg	7.756	9.695
134375A017	Oak	TK5	Natural	1 pc	Stock item	7.40 kg	7.756	9.695
135536A017	Smoked Oak	TK5	Natural	1 pc	Stock item	7.40 kg	7.756	9.695



Made using FSC® certified wood, supporting responsible environmental, social and economical management of the world's forests. Visit www.fsc.org

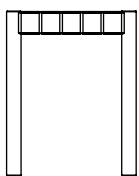
Frame Seat

TK4 Wood Natural or Black Linen and PP webbing
TK5 Wood Natural or Black Linen and PP webbing

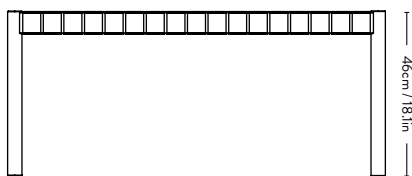
Material: Water based lacquered or oiled solid wood and formpressed veneer with seat in natural linen and PP webbing.

TK4, TK5 Black water based lacquered oak.
 TK4, TK5 Water based lacquered oak and Smoked oiled oak.

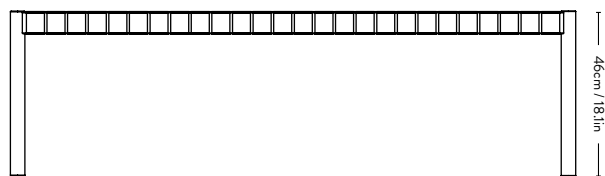
Felt gliders installed as standard.



36cm / 14.2in
TK4 & TK5

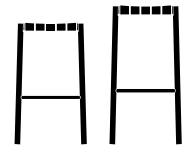


105cm / 41.3in
TK4



157cm / 61.8in
TK5

Betty^{TK7 & TK8} Thau & Kallio 2021



Product no.	Variant	Product code	Webbing	Colli qty.	Lead time	Weight	PRICE EX. VAT (SEK)	PRICE INC. VAT (SEK)
134377A017	Black	TK7	Natural	1 pc	Stock item	3.50 kg	4.532	5.665
134377A016	Black	TK7	Black	1 pc	Stock item	3.50 kg	4.532	5.665
134378A017	Oak	TK7	Natural	1 pc	Stock item	3.50 kg	4.532	5.665
135537A017	Smoked Oak	TK7	Natural	1 pc	Stock item	3.50 kg	4.532	5.665
134383A017	Black	TK8	Natural	1 pc	Stock item	3.50 kg	4.532	5.665
134383A016	Black	TK8	Black	1 pc	Stock item	3.50 kg	4.532	5.665
134384A017	Oak	TK8	Natural	1 pc	Stock item	3.50 kg	4.532	5.665
135539A017	Smoked Oak	TK8	Natural	1 pc	Stock item	3.50 kg	4.532	5.665

Product no.	Product	Product code	Variant	Colli qty.	Lead time	Weight	PRICE EX. VAT (SEK)	PRICE INC. VAT (SEK)
134563	Footrest protector			1 pc	Stock item	0.10 kg	352	440
	TK7 w. Footrest Protector*	TK7		1 pc	6-8 weeks	3.60 kg	4.884	6.105
	TK8 w. Footrest Protector*	TK8		1 pc	6-8 weeks	3.60 kg	4.884	6.105
145306	Plastic gliders for In Between Chairs, Betty Chairs, and RFH Dining & Lounge Chair, 4 pcs		Black		Stock item		88	110
145309	Felt gliders for In Between Chairs, Betty Chairs, and RFH Dining & Lounge Chair, 4 pcs		Black		Stock item		88	110



Made using FSC® certified wood, supporting responsible environmental, social and economical management of the world's forests. Visit www.fsc.org

Frame Seat

TK7 Wood Natural or Black Linen and PP webbing

TK8 Wood Natural or Black Linen and PP webbing

Material: Water based lacquered or oiled solid wood with seat in natural linen and PP webbing.

The footrest protector is from steel.

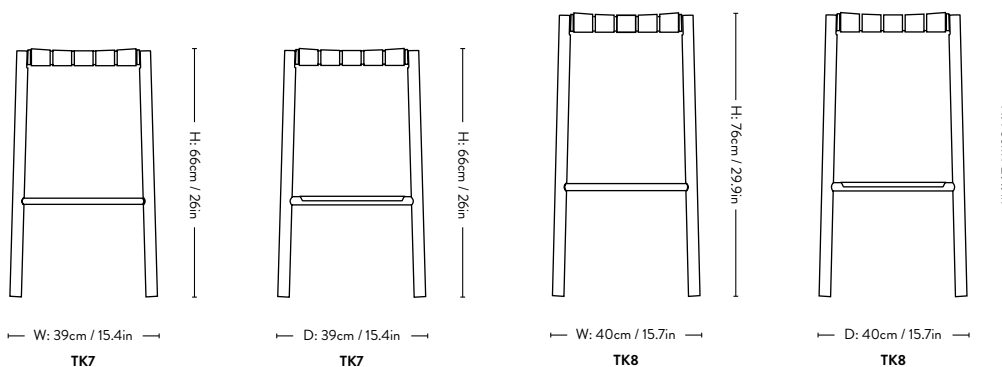
TK7, TK8 Water based Black lacquered ash.

TK7, TK8 Water based lacquered oak and Smoked oiled oak.

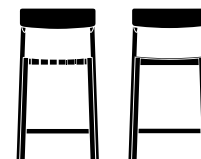
Felt gliders are installed as standard.

Plastic gliders available upon request.

*Please specify stool colour with the order (Black, Black/Black, Oak, Smoked Oak).



Betty TK12 & TK13 Thau & Kallio 2025



Product no.	Variant	Product code	Webbing	Colli qty.	Lead time	Weight	PRICE EX. VAT (SEK)	PRICE INC. VAT (SEK)
146183A016	Black	TK12	Black	1 pc	Stock item	4.60 kg	5.844	7.305
146183A017	Black	TK12	Natural	1 pc	Stock item	4.60 kg	5.844	7.305
146185A017	Oak	TK12	Natural	1 pc	Stock item	4.60 kg	5.844	7.305
146187A017	Smoked Oak	TK12	Natural	1 pc	Stock item	4.60 kg	5.844	7.305
146189	Black	TK13		1 pc	6-8 weeks	5.10 kg	5.008	6.260
146191	Oak	TK13		1 pc	6-8 weeks	5.10 kg	5.008	6.260
146193	Smoked Oak	TK13		1 pc	6-8 weeks	5.10 kg	5.008	6.260

Product no.	Product	Product code	Variant	Colli qty.	Lead time	Weight	PRICE EX. VAT (SEK)	PRICE INC. VAT (SEK)
134563	Footrest protector			1 pc	Stock item	0.10 kg	352	440
	TK12 w. Footrest Protector*	TK12		1 pc	6-8 weeks	4.70 kg	6.196	7.745
	TK13 w. Footrest Protector*	TK13		1 pc	6-8 weeks	5.20 kg	5.360	6.700
145306	Plastic gliders for In Between Chairs, Betty Chairs, and RFH Dining & Lounge Chair, 4 pcs		Black		Stock item		88	110
145309	Felt gliders for In Between Chairs, Betty Chairs, and RFH Dining & Lounge Chair, 4 pcs		Black		Stock item		88	110



TK12, TK13: EU Ecolabel certified, validating high standards of durability, circular design, and responsible use of chemicals. Please contact our sales team for a list of EU Ecolabel compliant combinations.



Made using FSC® certified wood, supporting responsible environmental, social and economical management of the world's forests. Visit www.fsc.org

Frame Seat

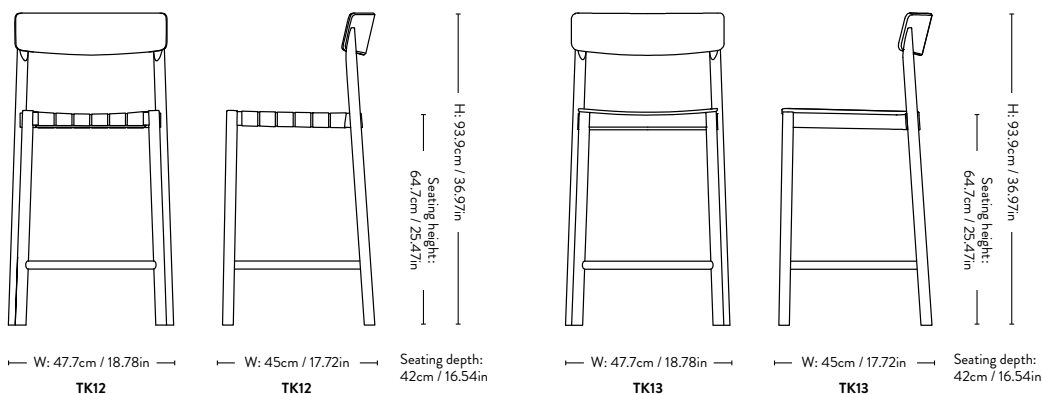
TK12 Wood Natural or Black Linen and PP webbing
TK13 Wood Veneer

Material: Water based lacquered or oiled solid wood and formpressed veneer with seat in natural or black linen and PP webbing or form pressed veneer.

*Please specify stool colour with the order (Black, Black/Black, Oak, Smoked Oak).

TK12, TK13 Water based Black lacquered ash.
 TK12, TK13 Water based lacquered oak and Smoked oiled oak.

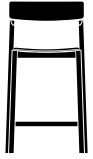
Plastic gliders are installed as standard.
 Felt gliders available upon request.



Betty^{TK14}

Thau & Kallio

2025



Fabric gr.	Upholstery	Frame	Lead time	Weight	PRICE EX. VAT (SEK)	PRICE INC. VAT (SEK)
Fabric gr. 1	Grain, Hot Madison, Remix, Re-Wool	Black, Oak, Smoked Oak	6-8 weeks	6.00 kg	6.204	7.755
Fabric gr. 2	Asator, Barnum, Canvas, Fiord	Black, Oak, Smoked Oak	6-8 weeks	6.00 kg	6.440	8.050
Fabric gr. 3	Clay, Hallingdal, Mylla, Steelcut Quartet, Steelcut Trio	Black, Oak, Smoked Oak	6-8 weeks	6.00 kg	6.560	8.200
Fabric gr. 4	Acca, Beda, Cifrado, Ecriture, Moss, Vidar	Black, Oak, Smoked Oak	6-8 weeks	6.00 kg	6.680	8.350
Fabric gr. 5	Gentle, Karakorum, Sisu, Zade*	Black, Oak, Smoked Oak	6-8 weeks	6.00 kg	7.040	8.800
Fabric gr. 6	Fuse, Tiger Mountain**	Black, Oak, Smoked Oak	6-8 weeks	6.00 kg	7.636	9.545
Leather	Tailor semi-aniline leather	Black, Oak, Smoked Oak	6-8 weeks	6.00 kg	6.324	7.905
Leather	Noble Aniline leather	Black, Oak, Smoked Oak	6-8 weeks	6.00 kg	6.800	8.500
Leather	Elmosoft semi-aniline leather	Black, Oak, Smoked Oak	6-8 weeks	6.00 kg	7.160	8.950
COM	Fabric	Black, Oak, Smoked Oak	6-8 weeks	6.00 kg	6.204	7.755

Product no.	Product	Variant	Colli qty.	Lead time	Weight	PRICE EX. VAT (SEK)	PRICE INC. VAT (SEK)
134563	Footrest protector		1 pc	Stock item	0.10 kg	352	440
145306	Plastic gliders for In Between Chairs, Betty Chairs, and RFH Dining & Lounge Chair, 4 pcs	Black		Stock item		88	110
145309	Felt gliders for In Between Chairs, Betty Chairs, and RFH Dining & Lounge Chair, 4 pcs	Black		Stock item		88	110

* Please be aware that patterns may not align at seams or edges

** Please be aware that the placement of the pattern may vary from piece to piece due to optimal usage of fabric when cutting. Patterns may not align at seams or edges



Made using FSC® certified wood, supporting responsible environmental, social and economical management of the world's forests. Visit www.fsc.org

Frame Seat

TK14 Wood Upholstered

Material: Water based lacquered or oiled solid wood and formpressed veneer with upholstered HR foam seat.

TK14 Black water based lacquered ash.

TK14 Water based lacquered oak and Smoked oiled oak.

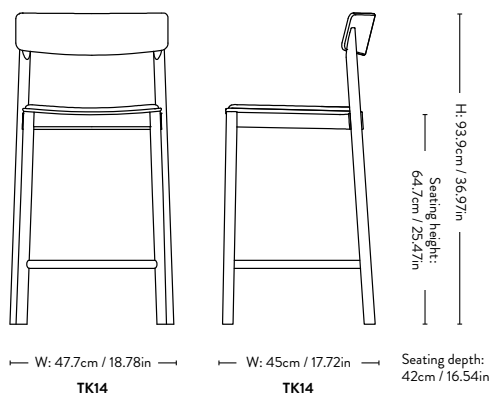
Fabric usage: 0.36 meter cm based on a 140 cm roll

Leather usage: 0.36 square meters based on a yield of 60% pr hide.

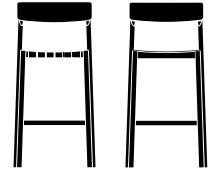
COM must be approved by &Tradition to ensure suitability for upholstery.

Plastic gliders installed as standard.

Felt gliders available upon request.



Betty TK15 & TK16 Thau & Kallio 2025



Product no.	Variant	Product code	Webbing	Colli qty.	Lead time	Weight	PRICE EX. VAT (SEK)	PRICE INC. VAT (SEK)
146201A016	Black	TK15	Black	1 pc	Stock item	5.30 kg	5.844	7.305
146201A017	Black	TK15	Natural	1 pc	Stock item	5.30 kg	5.844	7.305
146203A017	Oak	TK15	Natural	1 pc	Stock item	5.30 kg	5.844	7.305
146205A017	Smoked oak	TK15	Natural	1 pc	Stock item	5.30 kg	5.844	7.305
146207	Black	TK16		1 pc	6-8 weeks	5.80kg	5.008	6.260
146209	Oak	TK16		1 pc	6-8 weeks	5.80kg	5.008	6.260
146211	Smoked oak	TK16		1 pc	6-8 weeks	5.80kg	5.008	6.260

Product no.	Product	Product code	Variant	Colli qty.	Lead time	Weight	PRICE EX. VAT (SEK)	PRICE INC. VAT (SEK)
134563	Footrest protector			1 pc	Stock item	0.10 kg	352	440
	TK15 w. Footrest Protector*	TK15		1 pc	6-8 weeks	5.40 kg	6.196	7.745
	TK16 w. Footrest Protector*	TK16		1 pc	6-8 weeks	5.90 kg	5.360	6.700
145306	Plastic gliders for In Between Chairs, Betty Chairs, and RFH Dining & Lounge Chair, 4 pcs		Black		Stock item		88	110
145309	Felt gliders for In Between Chairs, Betty Chairs, and RFH Dining & Lounge Chair, 4 pcs		Black		Stock item		88	110



TK15, TK16: EU Ecolabel certified, validating high standards of durability, circular design, and responsible use of chemicals. Please contact our sales team for a list of EU Ecolabel compliant combinations.

EU Ecolabel : DK/049/042



Made using FSC® certified wood, supporting responsible environmental, social and economical management of the world's forests. Visit www.fsc.org

Frame Seat

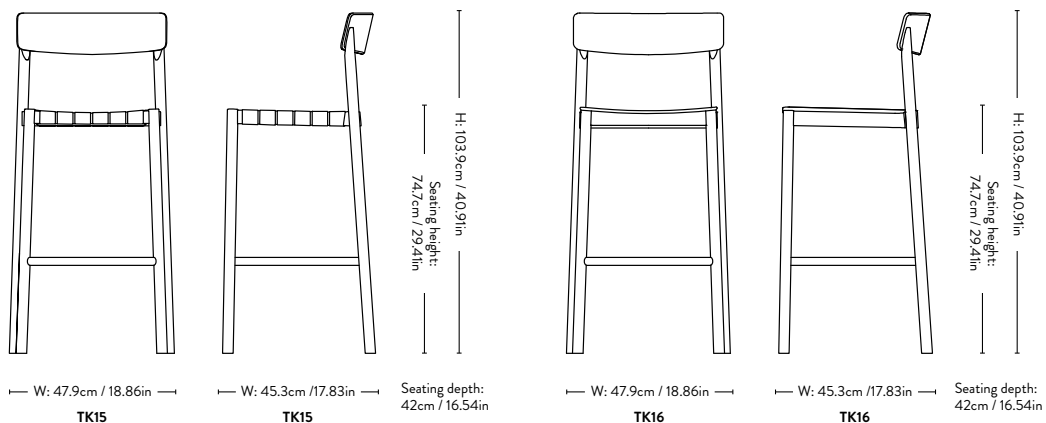
TK15 Wood Natural or Black Linen and PP webbing
TK16 Wood Veneer

Material: Water based lacquered or oiled solid wood and formpressed veneer with seat in natural or black linen and PP webbing or form pressed veneer.

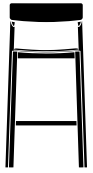
*Please specify stool colour with the order (Black, Black/Black, Oak, Smoked Oak).

TK15, TK16 Water based Black lacquered ash.
 TK15, TK16 Water based lacquered oak and Smoked oiled oak.

Plastic gliders are installed as standard.
 Felt gliders available upon request.



Betty ^{TK17} Thau & Kallio 2025



Fabric gr.	Upholstery	Frame	Lead time	Weight	PRICE EX. VAT (SEK)	PRICE INC. VAT (SEK)
Fabric gr. 1	Grain, Hot Madison, Remix, Re-Wool	Black, Oak, Smoked Oak	6-8 weeks	6.70 kg	6.204	7.755
Fabric gr. 2	Asator, Barnum, Canvas, Fiord	Black, Oak, Smoked Oak	6-8 weeks	6.70 kg	6.440	8.050
Fabric gr. 3	Clay, Hallingdal, Mylla, Steelcut Quartet, Steelcut Trio	Black, Oak, Smoked Oak	6-8 weeks	6.70 kg	6.560	8.200
Fabric gr. 4	Acca, Beda, Cifrado, Ecriture, Moss, Vidar	Black, Oak, Smoked Oak	6-8 weeks	6.70 kg	6.680	8.350
Fabric gr. 5	Gentle, Karakorum, Sisu, Zade*	Black, Oak, Smoked Oak	6-8 weeks	6.70 kg	7.040	8.800
Fabric gr. 6	Fuse, Tiger Mountain**	Black, Oak, Smoked Oak	6-8 weeks	6.70 kg	7.636	9.545
Leather	Tailor semi-aniline leather	Black, Oak, Smoked Oak	6-8 weeks	6.70 kg	6.324	7.905
Leather	Noble Aniline leather	Black, Oak, Smoked Oak	6-8 weeks	6.70 kg	6.800	8.500
Leather	Elmosoft semi-aniline leather	Black, Oak, Smoked Oak	6-8 weeks	6.70 kg	7.160	8.950
COM	Fabric	Black, Oak, Smoked Oak	6-8 weeks	6.70 kg	6.204	7.755

Product no.	Product	Variant	Colli qty.	Lead time	Weight	PRICE EX. VAT (SEK)	PRICE INC. VAT (SEK)
134563	Footrest protector		1 pc	Stock item	0.10 kg	352	440
145306	Plastic gliders for In Between Chairs, Betty Chairs, and RFH Dining & Lounge Chair, 4 pcs	Black		Stock item		88	110
145309	Felt gliders for In Between Chairs, Betty Chairs, and RFH Dining & Lounge Chair, 4 pcs	Black		Stock item		88	110

* Please be aware that patterns may not align at seams or edges

** Please be aware that the placement of the pattern may vary from piece to piece due to optimal usage of fabric when cutting. Patterns may not align at seams or edges



Made using FSC® certified wood, supporting responsible environmental, social and economical management of the world's forests. Visit www.fsc.org

Frame Seat

TK17 Wood Upholstered

Material: Water based lacquered or oiled solid wood and formpressed veneer with upholstered HR foam seat.

TK17 Black water based lacquered ash.

TK17 Water based lacquered oak and Smoked oiled oak.

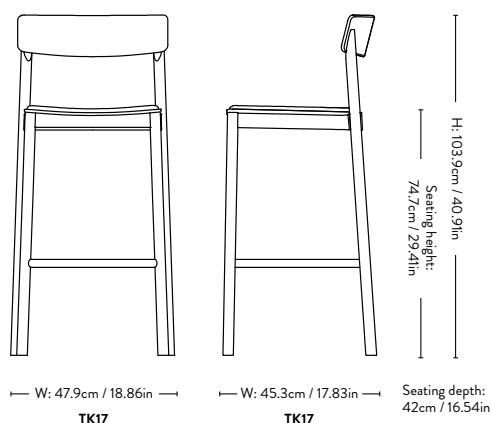
Fabric usage: 0.36 meter cm based on a 140 cm roll

Leather usage: 0.36 square meters based on a yield of 60% pr hide.

COM must be approved by &Tradition to ensure suitability for upholstery.

Plastic gliders installed as standard.

Felt gliders available upon request.



Daystak RD1 Robin Day 1951



Product no.	Variant	Colli qty.	Lead time	Weight	PRICE EX. VAT (SEK)	PRICE INC. VAT (SEK)
137915	Beech	2 pcs	Stock item	4.54 kg	4.172	5.215
137916	Beech & Walnut	2 pcs	Stock item	4.54 kg	4.172	5.215



EU Ecolabel certified, validating high standards of durability, circular design, and responsible use of chemicals. Please contact our sales team for a list of EU Ecolabel compliant combinations.

EU Ecolabel : DK/949/012

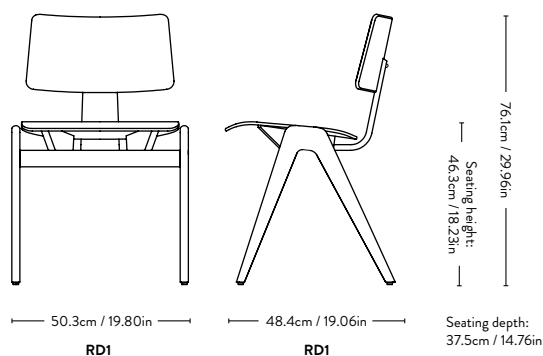


Made using FSC® certified wood, supporting responsible environmental, social and economical management of the world's forests. Visit www.fsc.org

Material: Water based laquered solid beech, beech wood veneer and walnut veneer.

Felt gliders are installed as standard.
Plastic gliders available upon request.

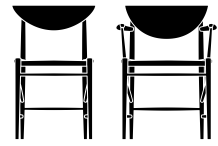
Stacking quantity: 5 pcs



Drawn HM3 & HM4

Hvidt & Mølgaard

1956



Product no.	Variant	Product code	Colli qty.	Lead time	Weight	PRICE EX. VAT (SEK)	PRICE INC. VAT (SEK)
134415A014	Oiled Oak w. Natural Paper Cord	HM3	1 pc	Stock item	6.00 kg	6.920	8.650
134416A014	Black Oak w. Natural Paper Cord	HM3	1 pc	Stock item	6.00 kg	6.920	8.650
134417A014	Walnut w. Natural Paper Cord	HM3	1 pc	Stock item	6.00 kg	7.756	9.695
134419A014	Oiled Oak w. Natural Paper Cord	HM4	1 pc	Stock item	6.80 kg	9.308	11.635
134420A014	Black Oak with Natural Paper Cord	HM4	1 pc	Stock item	6.80 kg	9.308	11.635
134421A014	Walnut w. Natural Paper Cord	HM4	1 pc	Stock item	6.80 kg	10.500	13.125

Product no.	Variant	Product code	Colli qty.	Lead time	Weight	PRICE EX. VAT (SEK)	PRICE INC. VAT (SEK)
134422A235A061A503	Drawn Seat Pad w. Black Prescott Leather	HM3	1 pc	Stock item	0.60 kg	888	1.110
134422A235A061A504	Drawn Seat Pad w. Cognac Prescott Leather	HM3	1 pc	Stock item	0.60 kg	888	1.110
134423A235A061A503	Drawn Seat Pad w. Black Prescott Leather	HM4	1 pc	Stock item	0.70 kg	1.068	1.335
134423A235A061A504	Drawn Seat Pad w. Cognac Prescott Leather	HM4	1 pc	Stock item	0.70 kg	1.068	1.335

Product no.	Product	Variant	Lead time	PRICE EX. VAT (SEK)	PRICE INC. VAT (SEK)
145307	Plastic gliders for Drawn, Elefy w. wood base, Rely w. tube (ex. stacking) & wood base, Muno, and Meantime Lounge Chairs, 4 pcs	Black	Stock item	88	110
145308	Felt gliders for Drawn, Elefy w. wood base, Rely w. tube (ex. stacking) & wood base, Muno, and Meantime Lounge Chairs, 4 pcs	Black	Stock item	88	110



Oiled Oak and Black Oak made using FSC® certified wood, supporting responsible environmental, social and economical management of the world's forests. Visit www.fsc.org

Frame

Oiled Oak
Black water based lacquered Oak
Oiled Walnut

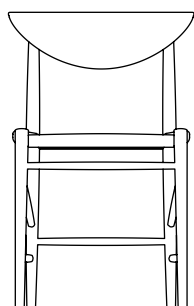
Seat

Natural Paper Cord

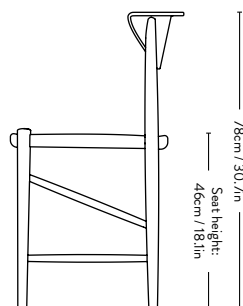
Material: Solid wood, formpressed wood veneer & paper cord.

Plastic gliders are installed as standard.

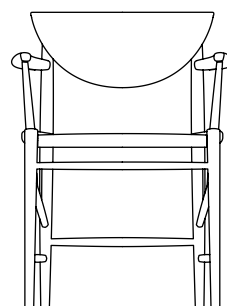
Felt gliders available upon request.



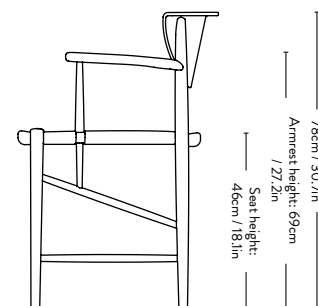
49cm / 19.3in
HM3



46cm / 18.1in
Seating depth: 42cm / 16.5in
78cm / 30.7in
Seat height: 46cm / 18.1in
HM3



59cm / 23.2in
HM4



54cm / 21.3in
Seating depth: 49cm / 19.3in
78cm / 30.7in
Armrest height: 69cm / 27.2in
Seat height: 46cm / 18.1in
HM4

Ita OS5 & OS6
 OEO Studio
 2025



Product no.	Variant	Product code	Size	Colli qty.	Lead time	Weight	PRICE EX. VAT (SEK)	PRICE INC. VAT (SEK)
140002A469	Oak	OS5	170 x 30 cm	1 pc	Stock item	32.50 kg	9.548	11.935
140003A526	Dark Stained Oak	OS5	170 x 30 cm	1 pc	Stock item	32.50 kg	9.548	11.935
140004A469	Oak	OS6	230 x 30 cm	1 pc	Stock item	41.50 kg	10.740	13.425
140005A526	Dark Stained Oak	OS6	230 x 30 cm	1 pc	Stock item	41.50 kg	10.740	13.425

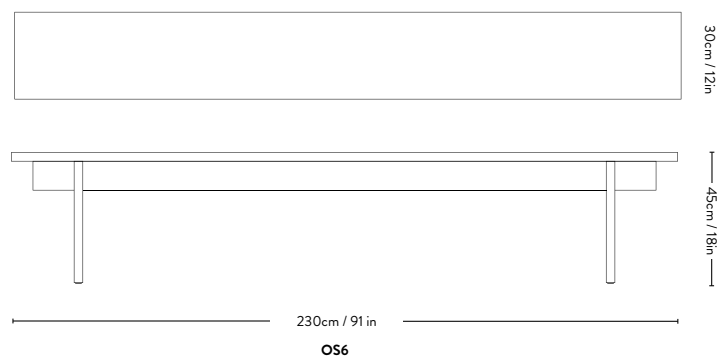
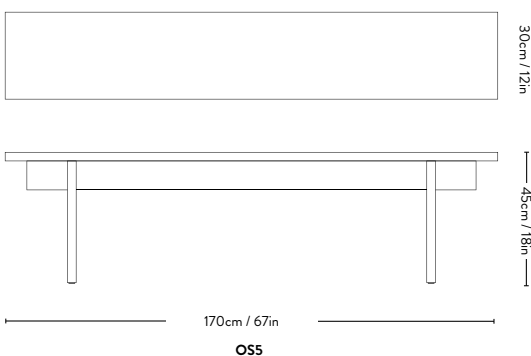


Made using FSC® certified wood, supporting responsible environmental, social and economical management of the world's forests. Visit www.fsc.org

Materials:

Bench: MDF, oak veneer and solid oak edges.

Plastic gliders are installed as standard.



NEW

Ita OS5 & OS6

OEO Studio

2025



Product no.	Variant	Product code	Size	Colli qty.	Lead time	Weight	PRICE EX. VAT (SEK)	PRICE INC. VAT (SEK)
139833A235A030A502	Ita Seat Pad w. Cognac Noble Aniline Leather	OS5	170 x 28 cm	1 pc	Stock item	2.10 kg	2.980	3.725
139836A235A030A502	Ita Seat Pad w. Cognac Noble Aniline Leather	OS6	230 x 28 cm	1 pc	Stock item	2.70 kg	4.172	5.215

Fabric gr.	Upholstery	Product code	Size	Lead time	Weight	PRICE EX. VAT (SEK)	PRICE INC. VAT (SEK)
Fabric gr. 1	Grain, Hot Madison, Remix, Re-wool	OS5	170 x 28 cm	6-8 weeks	2.10 kg	1.904	2.380
Fabric gr. 2	Asator, Barnum, Canvas, Fiord	OS5	170 x 28 cm	6-8 weeks	2.10 kg	2.144	2.680
Fabric gr. 3	Clay, Hallingdal, Mylla, Steelcut Quartet, Steelcut Trio	OS5	170 x 28 cm	6-8 weeks	2.10 kg	2.264	2.830
Fabric gr. 4	Acca, Beda, Cifrado, Ecriture, Moss, Vidar	OS5	170 x 28 cm	6-8 weeks	2.10 kg	2.620	3.275
Fabric gr. 5	Gentle, Karakorum, Sisu, Zade*	OS5	170 x 28 cm	6-8 weeks	2.10 kg	2.740	3.425
Fabric gr. 6	Fuse, Tiger Mountain**	OS5	170 x 28 cm	6-8 weeks	2.10 kg	3.576	4.470
Leather	Tailor Semi-aniline leather	OS5	170 x 28 cm	6-8 weeks	2.10 kg	3.216	4.020
Leather	Noble Aniline leather	OS5	170 x 28 cm	6-8 weeks	2.10 kg	3.576	4.470
Leather	Elmosoft Semi-aniline leather	OS5	170 x 28 cm	6-8 weeks	2.10 kg	3.936	4.920
COM	Fabric	OS5	170 x 28 cm	6-8 weeks	2.10 kg	1.904	2.380

Fabric gr.	Upholstery	Product code	Size	Lead time	Weight	PRICE EX. VAT (SEK)	PRICE INC. VAT (SEK)
Fabric gr. 1	Grain, Hot Madison, Remix, Re-wool	OS6	230 x 28 cm	6-8 weeks	2.70 kg	2.144	2.680
Fabric gr. 2	Asator, Barnum, Canvas, Fiord	OS6	230 x 28 cm	6-8 weeks	2.70 kg	2.384	2.980
Fabric gr. 3	Clay, Hallingdal, Mylla, Steelcut Quartet, Steelcut Trio	OS6	230 x 28 cm	6-8 weeks	2.70 kg	2.500	3.125
Fabric gr. 4	Acca, Beda, Cifrado, Ecriture, Moss, Vidar	OS6	230 x 28 cm	6-8 weeks	2.70 kg	2.980	3.725
Fabric gr. 5	Gentle, Karakorum, Sisu, Zade*	OS6	230 x 28 cm	6-8 weeks	2.70 kg	3.216	4.020
Fabric gr. 6	Fuse, Tiger Mountain**	OS6	230 x 28 cm	6-8 weeks	2.70 kg	4.172	5.215
Leather	Tailor Semi-aniline leather	OS6	230 x 28 cm	6-8 weeks	2.70 kg	3.816	4.770
Leather	Noble Aniline leather	OS6	230 x 28 cm	6-8 weeks	2.70 kg	4.172	5.215
Leather	Elmosoft Semi-aniline leather	OS6	230 x 28 cm	6-8 weeks	2.70 kg	4.532	5.665
COM	Fabric	OS6	230 x 28 cm	6-8 weeks	2.70 kg	2.144	2.680

* Please be aware that patterns may not align at seams or edges

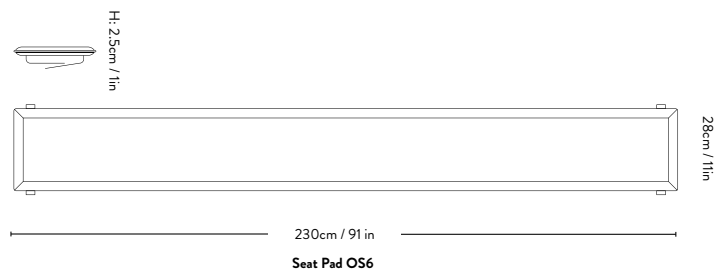
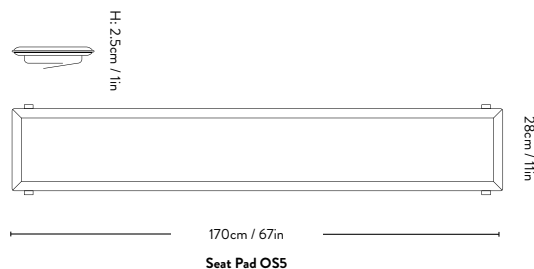
** Please be aware that the placement of the pattern may vary from piece to piece due to optimal usage of fabric when cutting. Patterns may not align at seams or edges

Minimum order quantity of same fabric/leather and colour: 3 pcs.

Materials: HR foam with anti-slip backing with textile or leather upholstery.

OS5: Fabric usage: 0.8 meter based based on a 140cm roll
Leather usage: 1.3 square meters based on a yield of 60% pr hide.

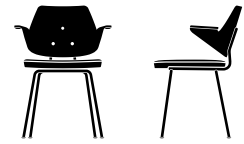
OS6: Fabric usage: 1 meter based based on a 140cm roll
Leather usage: 1.7 square meters based on a yield of 60% pr hide.
 COM must be approved by &Tradition to ensure suitability for upholstery.



RFH RD7

Robin Day

1951



Product no.	Variant	Base	Colli qty.	Lead time	Weight	PRICE EX. VAT (SEK)	PRICE INC. VAT (SEK)
138396A500A016A309	Hallingdal 103	Black	1 pc	Stock item	7.50 kg	6.560	8.200
138396A500A016A325	Hallingdal 227	Black	1 pc	Stock item	7.50 kg	6.560	8.200

Fabric gr.	Upholstery	Base	Lead time	Weight	PRICE EX. VAT (SEK)	PRICE INC. VAT (SEK)
Fabric gr. 1	Grain, Hot Madison, Remix, Re-wool	Black	6-8 weeks	7.50 kg	5.964	7.455
Fabric gr. 2	Asator, Barnum, Canvas, Fiord	Black	6-8 weeks	7.50 kg	6.324	7.905
Fabric gr. 3	Clay, Hallingdal, Mylla, Steelcut Quartet, Steelcut Trio	Black	6-8 weeks	7.50 kg	6.560	8.200
Fabric gr. 4	Acca, Beda, Cifrado, Ecriture, Moss, Vidar	Black	6-8 weeks	7.50 kg	7.160	8.950
Fabric gr. 5	Gentle, Karakorum, Sisu	Black	6-8 weeks	7.50 kg	7.876	9.845
Fabric gr. 6	Fuse, Tiger Mountain**	Black	6-8 weeks	7.50 kg	9.784	12.230
Leather	Tailor Semi-aniline leather	Black	6-8 weeks	7.50 kg	8.352	10.440
Leather	Noble Aniline leather	Black	6-8 weeks	7.50 kg	9.548	11.935
Leather	Elmosoft Semi-aniline leather	Black	6-8 weeks	7.50 kg	10.264	12.830
COM	Fabric	Black	6-8 weeks	7.50 kg	5.964	7.455

Product no.	Product	Variant	Lead time	PRICE EX. VAT (SEK)	PRICE INC. VAT (SEK)
145306	Plastic gliders for In Between Chairs, Betty Chairs, and RFH Dining & Lounge Chair, 4 pcs	Black	Stock item	88	110
145309	Felt gliders for In Between Chairs, Betty Chairs, and RFH Dining & Lounge Chair, 4 pcs	Black	Stock item	88	110

** Please be aware that the placement of the pattern may vary from piece to piece due to optimal usage of fabric when cutting. Patterns may not align at seams or edges



Made using FSC® certified wood, supporting responsible environmental, social and economical management of the world's forests. Visit www.fsc.org

Material: Water based laquered walnut and beech veneer, powder-coated steel tubing, steel rod, HR foam.

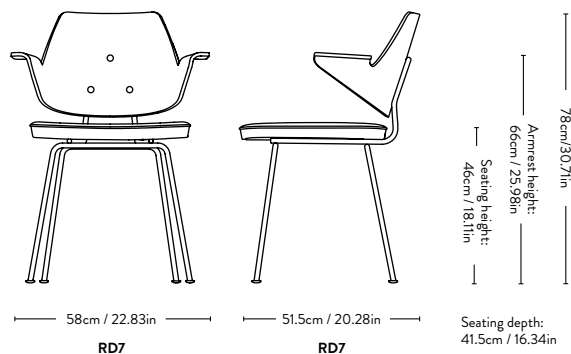
Fabric usage: 1.29 meter based based on a 140cm roll

Leather usage: 0.69 square meters based on a yield of 60% pr hide.

COM must be approved by &Tradition to ensure suitability for upholstery.

Plastic gliders installed as standard.

Felt gliders available upon request.



RFH RD8 Robin Day 1951



Product no.	Variant	Base	Colli qty.	Lead time	Weight	PRICE EX. VAT (SEK)	PRICE INC. VAT (SEK)
138397A500A016A309	Hallingdal 103	Black	1 pc	Stock item	13.00 kg	19.100	23.875
138397A500A016A325	Hallingdal 227	Black	1 pc	Stock item	13.00 kg	19.100	23.875

Fabric gr.	Upholstery	Base	Lead time	Weight	PRICE EX. VAT (SEK)	PRICE INC. VAT (SEK)
Fabric gr. 1	Grain, Hot Madison, Remix, Re-wool	Black	6-8 weeks	13.00 kg	17.308	21.635
Fabric gr. 2	Asator, Barnum, Canvas, Fiord	Black	6-8 weeks	13.00 kg	17.904	22.380
Fabric gr. 3	Clay, Hallingdal, Mylla, Steelcut Quartet, Steelcut Trio	Black	6-8 weeks	13.00 kg	19.100	23.875
Fabric gr. 4	Acca, Cifrado, Ecriture, Moss, Vidar	Black	6-8 weeks	13.00 kg	20.292	25.365
Fabric gr. 5	Gentle, Karakorum, Sisu	Black	6-8 weeks	13.00 kg	20.888	26.110
Fabric gr. 6	Fuse	Black	6-8 weeks	13.00 kg	22.680	28.350
Leather	Tailor Semi-aniline leather	Black	6-8 weeks	13.00 kg	20.888	26.110
Leather	Noble Aniline leather	Black	6-8 weeks	13.00 kg	22.680	28.350
Leather	Elmosoft Semi-aniline leather	Black	6-8 weeks	13.00 kg	23.876	29.845
COM	Fabric	Black	6-8 weeks	13.00 kg	17.308	21.635

Product no.	Product	Variant	Lead time	PRICE EX. VAT (SEK)	PRICE INC. VAT (SEK)
145306	Plastic gliders for In Between Chairs, Betty Chairs, and RFH Dining & Lounge Chair, 4 pcs	Black	Stock item	88	110
145309	Felt gliders for In Between Chairs, Betty Chairs, and RFH Dining & Lounge Chair, 4 pcs	Black	Stock item	88	110



Made using FSC® certified wood, supporting responsible environmental, social and economical management of the world's forests. Visit www.fsc.org

Material: Water based laquered walnut and beech veneer, powder-coated steel tubing, steel rod, HR foam.

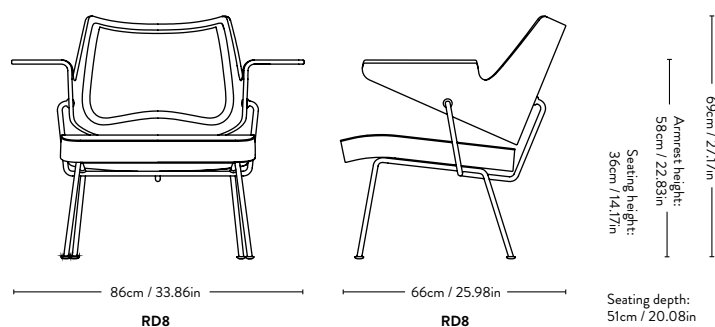
Fabric usage: 1.42 meter based based on a 140cm roll

Leather usage: 1.43 square meters based on a yield of 60% pr hide.

COM must be approved by &Tradition to ensure suitability for upholstery.

Plastic gliders installed as standard.

Felt gliders available upon request.



NEW



Kape^{IF7} Industrial Facility 2026



Fabric gr.	Upholstery	Base	Lead time	Weight	PRICE EX. VAT (SEK)	PRICE INC. VAT (SEK)
Fabric gr. 1	Grain, Hot Madison, Remix, Re-wool	Warm Black, Polished Aluminium	4-6 weeks	11.70 kg	5.964	7.455
Fabric gr. 2	Asator, Barnum, Canvas, Fiord	Warm Black, Polished Aluminium	4-6 weeks	11.70 kg	6.324	7.905
Fabric gr. 3	Clay, Hallingdal, Mylla, Steelcut Quartet, Steelcut Trio	Warm Black, Polished Aluminium	4-6 weeks	11.70 kg	6.560	8.200
Fabric gr. 4	Acca, Beda, Cifrado, Ecriture, Moss, Vidar	Warm Black, Polished Aluminium	4-6 weeks	11.70 kg	7.160	8.950
Fabric gr. 5	Gentle, Karakorum, Sisu	Warm Black, Polished Aluminium	4-6 weeks	11.70 kg	7.636	9.545
Fabric gr. 6	Fuse, Tiger Mountain**	Warm Black, Polished Aluminium	4-6 weeks	11.70 kg	9.188	11.485
Leather	Tailor Semi-aniline leather	Warm Black, Polished Aluminium	4-6 weeks	11.70 kg	6.324	7.905
Leather	Noble Aniline leather	Warm Black, Polished Aluminium	4-6 weeks	11.70 kg	6.800	8.500
Leather	Elmosoft Semi-aniline leather	Warm Black, Polished Aluminium	4-6 weeks	11.70 kg	7.040	8.800
COM	Fabric	Warm Black, Polished Aluminium	4-6 weeks	11.70 kg	5.964	7.455

** Please be aware that the placement of the pattern may vary from piece to piece due to optimal usage of fabric when cutting. Patterns may not align at seams or edges

Material: Aluminium frame, foam, wood seat and back.

Fabric usage: 1.11 meter based on a 140 cm roll

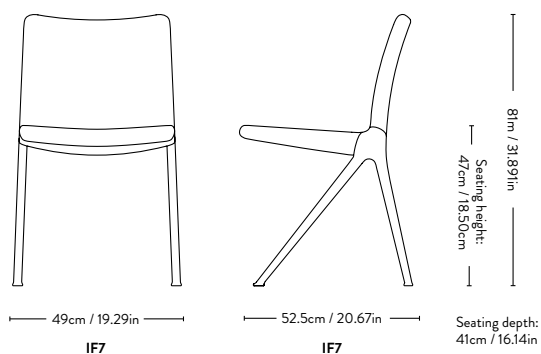
Leather usage: 2 square meters based on a yield of 60% pr hide.

COM must be approved by &Tradition to ensure suitability for upholstery.

Plastic gliders installed as standard.

Felt gliders available upon request.

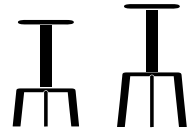
Removable cover. Please refer to the 'Spare Parts' section.



Massif AV39 & AV40

Anderssen & Voll

2024



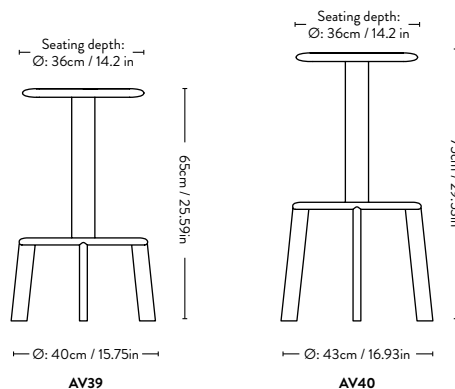
Product no.	Variant	Product code	Colli qty.	Lead time	Weight	PRICE EX. VAT (SEK)	PRICE INC. VAT (SEK)
137909	Oak & Grey Beige	AV39	1 pc	Stock item	7.60 kg	4.292	5.365
137910	Dark Stained Oak & Warm Black	AV39	1 pc	Stock item	7.60 kg	4.292	5.365
137911	Ember	AV39	1 pc	Stock item	7.60 kg	4.292	5.365
137912	Oak & Grey Beige	AV40	1 pc	Stock item	8.60 kg	4.412	5.515
137913	Dark Stained Oak & Warm Black	AV40	1 pc	Stock item	8.60 kg	4.412	5.515
137914	Ember	AV40	1 pc	Stock item	8.60 kg	4.412	5.515



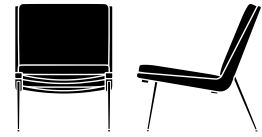
Made using FSC® certified wood, supporting responsible environmental, social and economical management of the world's forests. Visit www.fsc.org

Material: Water based laquered oak and powder-coated steel.

Plastic gliders are installed as standard.



Boomerang^{HM1} Hvidt & Mølgaard 1956



Product no.	Upholstery	Base	Variant	Lead time	Weight	PRICE EX. VAT (SEK)	PRICE INC. VAT (SEK)
134388A235A020A399	Karakorum 003	Brass	Oiled Oak	Stock item	8.50 kg	22.680	28.350
134390A235A020A399	Karakorum 003	Brass	Oiled Walnut	Stock item	8.50 kg	25.068	31.335
134391A235A020A399	Karakorum 003	Stainless Steel	Oiled Oak	Stock item	8.50 kg	22.680	28.350
134393A235A020A399	Karakorum 003	Stainless Steel	Oiled Walnut	Stock item	8.50 kg	25.068	31.335

Fabric gr.	Upholstery	Base	Variant	Lead time	Weight	PRICE EX. VAT (SEK)	PRICE INC. VAT (SEK)
Fabric gr. 1	Grain, Hot Madison, Remix, Re-Wool	Brass, Stainless Steel	Oiled Oak	6-8 weeks	8.50 kg	22.680	28.350
		Brass, Stainless Steel	Oiled Walnut				
Fabric gr. 2	Asator, Barnum, Canvas, Fiord	Brass, Stainless Steel	Oiled Oak	6-8 weeks	8.50 kg	23.876	29.845
		Brass, Stainless Steel	Oiled Walnut				
Fabric gr. 3	Clay, Hallingdal, Mylla, Steelcut Quartet, Steelcut Trio	Brass, Stainless Steel	Oiled Oak	6-8 weeks	8.50 kg	24.472	30.590
		Brass, Stainless Steel	Oiled Walnut				
Fabric gr. 4	Acca, Beda, Cifrado, Ecriture, Moss, Vidar	Brass, Stainless Steel	Oiled Oak	6-8 weeks	8.50 kg	25.068	31.335
		Brass, Stainless Steel	Oiled Walnut				
Fabric gr. 5	Gentle, Karakorum, Sisu	Brass, Stainless Steel	Oiled Oak	6-8 weeks	8.50 kg	26.264	32.830
		Brass, Stainless Steel	Oiled Walnut				
Fabric gr. 6	Fuse, Tiger Mountain**	Brass, Stainless Steel	Oiled Oak	6-8 weeks	8.50 kg	29.844	37.305
		Brass, Stainless Steel	Oiled Walnut				
COM	Fabric	Brass, Stainless Steel	Oiled Oak	6-8 weeks	8.50 kg	22.680	28.350
		Brass, Stainless Steel	Oiled Walnut				

** Please be aware that the placement of the pattern may vary from piece to piece due to optimal usage of fabric when cutting. Patterns may not align at seams or edges

Frame	Variant
Wood	Oiled Oak, Oiled Walnut
Metal	Brass, Stainless Steel



Oiled Oak made using FSC® certified wood, supporting responsible environmental, social and economical management of the world's forests. Visit www.fsc.org

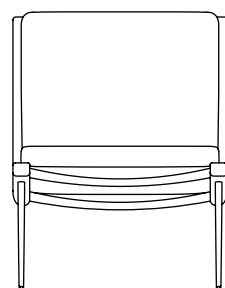
Material: Wood, HR foam, polyester wadding, fabric upholstery, brass, and stainless steel.

Fabric usage: 2 meters based on a 140cm roll.

COM must be approved by &Tradition to ensure suitability for upholstery.

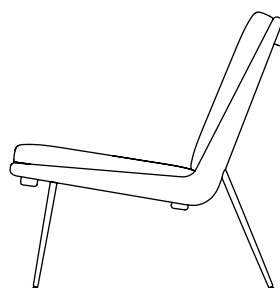
HM1 is not available in leather.

Plastic gliders installed as standard.



61cm / 24in

HM1



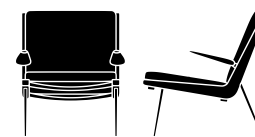
79cm / 31in

HM1

80cm / 31.5in
Seat height:
42cm / 16.5in

Seating depth:
50cm / 19.7

Boomerang^{HM2} Hvidt & Mølgaard 1956



Product no.	Upholstery	Base	Variant	Lead time	Weight	PRICE EX. VAT (SEK)	PRICE INC. VAT (SEK)
134394A235A020A399	Karakorum 003	Brass	Oiled Oak	Stock item	8.50 kg	25.068	31.335
134396A235A020A399	Karakorum 003	Brass	Oiled Walnut	Stock item	8.50 kg	28.652	35.815
134397A235A020A399	Karakorum 003	Stainless Steel	Oiled Oak	Stock item	8.50 kg	25.068	31.335
134399A235A020A399	Karakorum 003	Stainless Steel	Oiled Walnut	Stock item	8.50 kg	28.652	35.815

Fabric gr.	Upholstery	Base	Variant	Lead time	Weight	PRICE EX. VAT (SEK)	PRICE INC. VAT (SEK)
Fabric gr. 1	Grain, Hot Madison, Remix, Re-Wool	Brass, Stainless Steel	Oiled Oak	6-8 weeks	8.50 kg	25.068	31.335
		Brass, Stainless Steel	Oiled Walnut			28.652	35.815
Fabric gr. 2	Asator, Barnum, Canvas, Fiord	Brass, Stainless Steel	Oiled Oak	6-8 weeks	8.50 kg	26.264	32.830
		Brass, Stainless Steel	Oiled Walnut			29.844	37.305
Fabric gr. 3	Clay, Hallingdal, Mylla, Steelcut Quartet, Steelcut Trio	Brass, Stainless Steel	Oiled Oak	6-8 weeks	8.50 kg	26.860	33.575
		Brass, Stainless Steel	Oiled Walnut			30.440	38.050
Fabric gr. 4	Acca, Beda, Cifrado, Ecriture, Moss, Vidar	Brass, Stainless Steel	Oiled Oak	6-8 weeks	8.50 kg	27.456	34.320
		Brass, Stainless Steel	Oiled Walnut			31.040	38.800
Fabric gr. 5	Gentle, Karakorum, Sisu	Brass, Stainless Steel	Oiled Oak	6-8 weeks	8.50 kg	28.652	35.815
		Brass, Stainless Steel	Oiled Walnut			32.232	40.290
Fabric gr. 6	Fuse, Tiger Mountain**	Brass, Stainless Steel	Oiled Oak	6-8 weeks	8.50 kg	32.232	40.290
		Brass, Stainless Steel	Oiled Walnut			35.816	44.770
COM	Fabric	Brass, Stainless Steel	Oiled Oak	6-8 weeks	8.50 kg	25.068	31.335
		Brass, Stainless Steel	Oiled Walnut			28.652	35.815

** Please be aware that the placement of the pattern may vary from piece to piece due to optimal usage of fabric when cutting. Patterns may not align at seams or edges



Oiled Oak made using FSC® certified wood, supporting responsible environmental, social and economical management of the world's forests. Visit www.fsc.org

Frame	Variant
Wood	Oiled Oak, Oiled Walnut
Metal	Brass, Stainless Steel

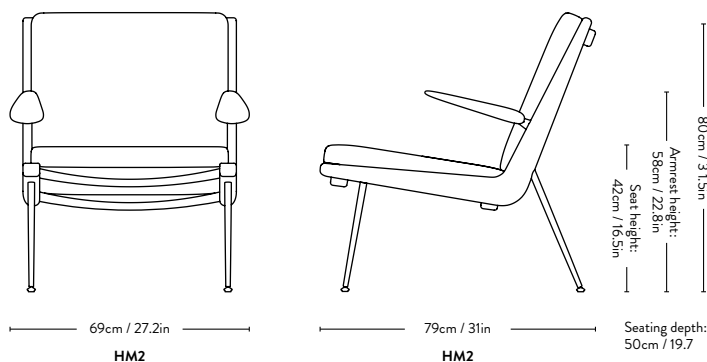
Material: Wood, HR foam, polyester wadding, fabric upholstery, brass, and stainless steel.

Fabric usage: 2 meters based on a 140cm roll.

COM must be approved by &Tradition to ensure suitability for upholstery.

HM2 is not available in leather.

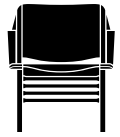
Plastic gliders installed as standard.



AX^{HM11}



Hvidt & Mølgaard 1950



Product no.	Variant	Colli qty.	Lead time	Weight	PRICE EX. VAT (SEK)	PRICE INC. VAT (SEK)
134549	Oak and Walnut	1 pc	Stock item	6.20 kg	11.936	14.920
134550	Dark Stained Oak	1 pc	Stock item	6.20 kg	11.936	14.920



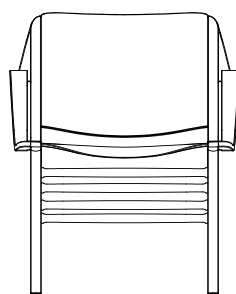
EU Ecolabel certified, validating high standards of durability, circular design, and responsible use of chemicals. Please contact our sales team for a list of EU Ecolabel compliant combinations.

Material: Water based lacquered oak veneer, walnut veneer, and solid walnut inserts

Plastic gliders installed as standard
Interchangeable felt gliders available upon request.

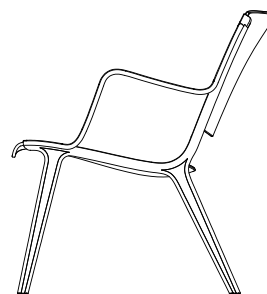


Made using FSC® certified wood, supporting responsible environmental, social and economical management of the world's forests. Visit www.fsc.org



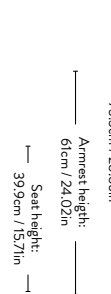
62.2cm / 24.49in

HM11



71.1cm / 27.99in

HM11



73.3cm / 28.86in
Armrest height: 61cm / 24.02in
Seat height: 39.9cm / 15.71in

Seating depth: 53.2cm / 20.94in

Little Petra ^{VB1} Viggo Boesen 1938



Product no.	Upholstery	Base	Lead time	Weight	PRICE EX. VAT (SEK)	PRICE INC. VAT (SEK)
134424A235A020A399	Karakorum 003	Oak	1-2 weeks	20.00 kg	29.844	37.305
134425A235A020A399	Karakorum 003	Walnut	1-2 weeks	20.00 kg	29.844	37.305
134424A235A042A745	Sheepskin Moonlight 17mm	Oak	1-2 weeks	20.00 kg	40.592	50.740
134425A235A042A745	Sheepskin Moonlight 17mm	Walnut	1-2 weeks	20.00 kg	40.592	50.740
134424A235A040A731	Sheepskin Sahara 17mm	Oak	1-2 weeks	20.00 kg	40.592	50.740
134425A235A040A731	Sheepskin Sahara 17mm	Walnut	1-2 weeks	20.00 kg	40.592	50.740
134424A235A041A738	Sheepskin Honey 50mm	Oak	3-5 weeks	20.00 kg	40.592	50.740
134425A235A041A738	Sheepskin Honey 50mm	Walnut	3-5 weeks	20.00 kg	40.592	50.740

Fabric gr.	Upholstery	Base	Lead time	Weight	PRICE EX. VAT (SEK)	PRICE INC. VAT (SEK)
Fabric gr. 2	Barnum, Canvas, Fiord	Oak, Walnut	6-8 weeks	20.00 kg	26.264	32.830
Fabric gr. 3	Clay, Hallingdal, Mylla, Steelcut Quartet, Steelcut Trio	Oak, Walnut	6-8 weeks	20.00 kg	27.456	34.320
Fabric gr. 4	Acca, Cifrado, Ecriture, Moss, Vidar	Oak, Walnut	6-8 weeks	20.00 kg	28.652	35.815
Fabric gr. 5	Gentle, Karakorum, Sisu	Oak, Walnut	6-8 weeks	20.00 kg	34.620	43.275
Fabric gr. 6		Oak, Walnut	6-8 weeks	20.00 kg	38.204	47.755
Sheepskin MTO	Sheepskin 17mm, Sheepskin 50mm	Oak, Walnut	10-12 weeks	20.00 kg	47.756	59.695
COM	Fabric	Oak, Walnut	6-8 weeks	20.00 kg	26.264	32.830



Made using FSC® certified wood, supporting responsible environmental, social and economical management of the world's forests. Visit www.fsc.org

Base Variant

Solid Oak Oiled Oak
Solid Walnut Oiled Walnut

Material: Wood, HR foam, polyester wadding, fabric upholstery.

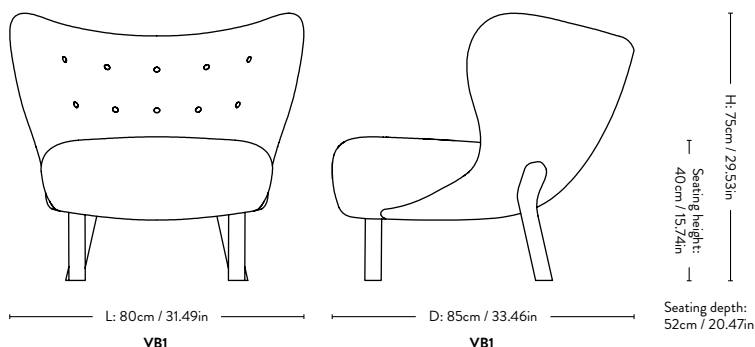
Fabric usage: 3.5 meters based on a 140cm roll.

COM must be approved by &Tradition to ensure suitability for upholstery.

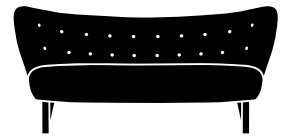
Little Petra VB1 is not available in leather.

Felt gliders installed as standard.

As with most natural materials, differences in structure, density and thickness are expected, as two pieces of sheepskin never look identical and tend to show natural variations in both curls and tones.



Little Petra ^{VB2} Viggo Boesen 1938



Product no.	Upholstery	Base	Lead time	Weight	PRICE EX. VAT (SEK)	PRICE INC. VAT (SEK)
134427A235A020A399	Karakorum 003	Oak	3-5 weeks	35.00 kg	44.172	55.215
134428A235A020A399	Karakorum 003	Walnut	3-5 weeks	35.00 kg	44.172	55.215
134427A235A042A745	Sheepskin Moonlight 17mm	Oak	3-5 weeks	35.00 kg	59.696	74.620
134428A235A042A745	Sheepskin Moonlight 17mm	Walnut	1-2 weeks	35.00 kg	59.696	74.620
134427A235A040A731	Sheepskin Sahara 17mm	Oak	1-2 weeks	35.00 kg	59.696	74.620
134428A235A040A731	Sheepskin Sahara 17mm	Walnut	1-2 weeks	35.00 kg	59.696	74.620

Fabric gr.	Upholstery	Base	Lead time	Weight	PRICE EX. VAT (SEK)	PRICE INC. VAT (SEK)
Fabric gr. 2	Barnum, Canvas, Fiord	Oak, Walnut	6-8 weeks	35.00 kg	43.576	54.470
Fabric gr. 3	Clay, Hallingdal, Mylla, Steelcut Quartet, Steelcut Trio	Oak, Walnut	6-8 weeks	35.00 kg	44.772	55.965
Fabric gr. 4	Acca, Cifrado, Ecriture, Moss, Vidar	Oak, Walnut	6-8 weeks	35.00 kg	47.160	58.950
Fabric gr. 5	Gentle, Karakorum, Sisu	Oak, Walnut	6-8 weeks	35.00 kg	52.532	65.665
Fabric gr. 6		Oak, Walnut	6-8 weeks	35.00 kg	57.904	72.380
Sheepskin MTO	Sheepskin 17mm, Sheepskin 50mm	Oak, Walnut	10-12 weeks	35.00 kg	65.664	82.080
COM	Fabric	Oak, Walnut	6-8 weeks	35.00 kg	43.576	54.470



Made using FSC® certified wood, supporting responsible environmental, social and economical management of the world's forests. Visit www.fsc.org

Base Variant

Solid Oak Oiled Oak
Solid Walnut Oiled Walnut

Material: Wood, HR foam, polyester wadding, fabric upholstery.

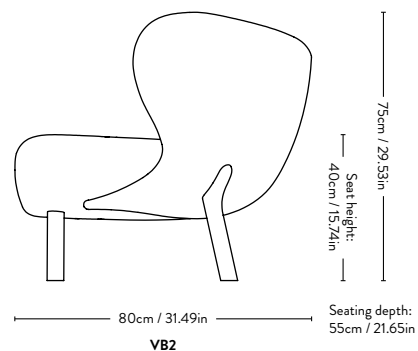
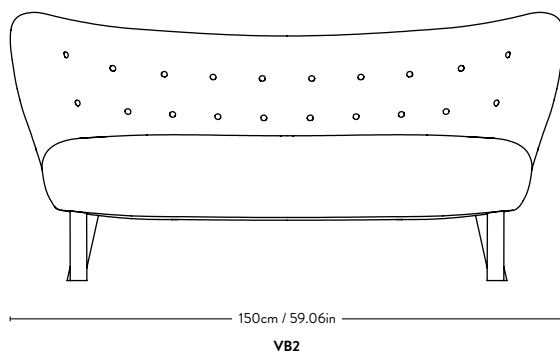
Fabric usage: 5.6 meters based on a 140cm roll.

COM must be approved by &Tradition to ensure suitability for upholstery.

Little Petra VB2 is not available in leather.

Felt gliders installed as standard.

As with most natural materials, differences in structure, density and thickness are expected, as two pieces of sheepskin never look identical and tend to show natural variations in both curls and tones.



Petra VB3



Viggo Boesen

1938



Product no.	Upholstery	Base	Lead time	Weight	PRICE EX. VAT (SEK)	PRICE INC. VAT (SEK)
135359A235A020A399	Karakorum 003	Oak	3-5 weeks	26.50 kg	35.816	44.770
135358A235A020A399	Karakorum 003	Walnut	3-5 weeks	26.50 kg	35.816	44.770
135359A235A042A745	Sheepskin Moonlight 17mm	Oak	3-5 weeks	26.50 kg	59.696	74.620
135358A235A042A745	Sheepskin Moonlight 17mm	Walnut	3-5 weeks	26.50 kg	59.696	74.620
135359A235A040A731	Sheepskin Sahara 17mm	Oak	3-5 weeks	26.50 kg	59.696	74.620
135358A235A040A731	Sheepskin Sahara 17mm	Walnut	3-5 weeks	26.50 kg	59.696	74.620
135359A235A041A738	Sheepskin Honey 50 mm	Oak	3-5 weeks	26.50 kg	59.696	74.620
135358A235A041A738	Sheepskin Honey 50 mm	Walnut	3-5 weeks	26.50 kg	59.696	74.620

Fabric gr.	Upholstery	Base	Lead time	Weight	PRICE EX. VAT (SEK)	PRICE INC. VAT (SEK)
Fabric gr. 2	Barnum, Canvas, Fiord	Oak, Walnut	6-8 weeks	26.50 kg	32.232	40.290
Fabric gr. 3	Clay, Hallingdal, Mylla, Steelcut Quartet, Steelcut Trio	Oak, Walnut	6-8 weeks	26.50 kg	33.428	41.785
Fabric gr. 4	Acca, Cifrado, Ecriture, Moss, Vidar	Oak, Walnut	6-8 weeks	26.50 kg	34.620	43.275
Fabric gr. 5	Gentle, Karakorum, Sisu	Oak, Walnut	6-8 weeks	26.50 kg	40.592	50.740
Fabric gr. 6		Oak, Walnut	6-8 weeks	26.50 kg	45.368	56.710
Sheepskin MTO	Sheepskin 17mm, Sheepskin 50mm	Oak, Walnut	10-12 weeks	26.50 kg	66.860	83.575
COM	Fabric	Oak, Walnut	6-8 weeks	26.50 kg	32.232	40.290



Made using FSC® certified wood, supporting responsible environmental, social and economical management of the world's forests. Visit www.fsc.org

Base Variant

Solid Oak Oiled Oak
Solid Walnut Oiled Walnut

Material: Wood, HR foam, polyester wadding, fabric upholstery

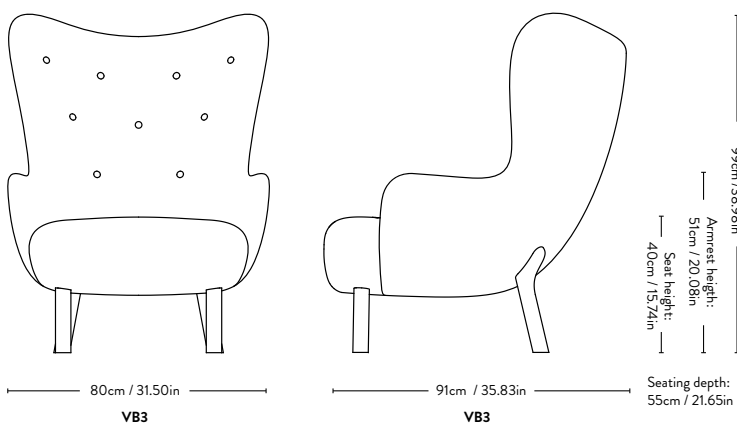
Fabric usage: 4.6 meters based on a 140cm roll

COM must be approved by &Tradition to ensure suitability for upholstery.

Petra VB3 is not available in leather.

Felt gliders installed as standard.

As with most natural materials, differences in structure, density and thickness are expected, as two pieces of sheepskin never look identical and tend to show natural variations in both curls and tones.



Pouf^{ATD1} &Tradition 2020



Fabric gr.	Upholstery	Base	Colli qty.	Lead time	Weight	PRICE EX. VAT (SEK)	PRICE INC. VAT (SEK)
Fabric gr. 2	Barnum, Canvas, Fiord	Oak, Walnut	1 pc	6-8 weeks	5.20 kg	8.956	11.195
Fabric gr. 3	Clay, Hallingdal, Mylla, Steelcut Quartet, Steelcut Trio	Oak, Walnut	1 pc	6-8 weeks	5.20 kg	9.252	11.565
Fabric gr. 4	Acca, Cifrado, Ecriture, Moss, Vidar	Oak, Walnut	1 pc	6-8 weeks	5.20 kg	9.312	11.640
Fabric gr. 5	Gentle, Karakorum, Sisu	Oak, Walnut	1 pc	6-8 weeks	5.20 kg	9.552	11.940
Fabric gr. 6		Oak, Walnut	1 pc	6-8 weeks	5.20 kg	10.508	13.135
Sheepskin MTO	Sheepskin 17mm, Sheepskin 50mm	Oak, Walnut	1 pc	10-12 weeks	5.20 kg	12.536	15.670
COM	Fabric	Oak, Walnut	1 pc	6-8 weeks	5.20 kg	8.956	11.195



Made using FSC® certified wood, supporting responsible environmental, social and economical management of the world's forests. Visit www.fsc.org

Base Variant

Solid Oak Oiled Oak
Solid Walnut Oiled Walnut

Material: Wood, HR foam, polyester wadding, fabric upholstery.

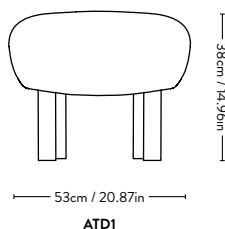
Fabric usage: 1.2 meter based on a 140cm roll.

COM must be approved by &Tradition to ensure suitability for upholstery.

Pouf ATD1 is not available in leather.

Felt gliders installed as standard.

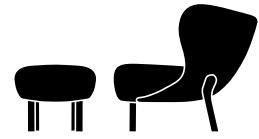
As with most natural materials, differences in structure, density and thickness are expected, as two pieces of sheepskin never look identical and tend to show natural variations in both curls and tones.



Little Petra & Pouf ^{VB1 & ATD1}

Viggo Boesen

1938



Product no.	Upholstery	Product code	Base	Lead time	Weight	PRICE EX. VAT (SEK)	PRICE INC. VAT (SEK)
134431A235A020A399	Karakorum 003	VB1 & ATD1	Oak	6-8 weeks	25.20 kg	39.396	49.245
134432A235A020A399	Karakorum 003	VB1 & ATD1	Walnut	6-8 weeks	25.20 kg	39.396	49.245
134431A235A042A745	Sheepskin Moonlight 17mm	VB1 & ATD1	Oak	6-8 weeks	25.20 kg	53.128	66.410
134432A235A042A745	Sheepskin Moonlight 17mm	VB1 & ATD1	Walnut	6-8 weeks	25.20 kg	53.128	66.410
134431A235A040A731	Sheepskin Sahara 17mm	VB1 & ATD1	Oak	6-8 weeks	25.20 kg	53.128	66.410
134432A235A040A731	Sheepskin Sahara 17mm	VB1 & ATD1	Walnut	6-8 weeks	25.20 kg	53.128	66.410
134431A235A041A738	Sheepskin Honey 50mm	VB1 & ATD1	Oak	6-8 weeks	25.20 kg	53.128	66.410
134432A235A041A738	Sheepskin Honey 50mm	VB1 & ATD1	Walnut	6-8 weeks	25.20 kg	53.128	66.410

Fabric gr.	Upholstery	Product code	Base	Lead time	Weight	PRICE EX. VAT (SEK)	PRICE INC. VAT (SEK)
Fabric gr. 2	Barnum, Canvas, Fiord	VB1 & ATD1	Oak, Walnut	6-8 weeks	25.20 kg	35.216	44.020
Fabric gr. 3	Clay, Hallingdal, Mylla, Steelcut Quartet, Steelcut Trio	VB1 & ATD1	Oak, Walnut	6-8 weeks	25.20 kg	36.412	45.515
Fabric gr. 4	Acca, Cifrado, Ecriture, Moss, Vidar	VB1 & ATD1	Oak, Walnut	6-8 weeks	25.20 kg	37.964	47.455
Fabric gr. 5	Gentle, Karakorum, Sisu	VB1 & ATD1	Oak, Walnut	6-8 weeks	25.20 kg	44.172	55.215
Fabric gr. 6		VB1 & ATD1	Oak, Walnut	6-8 weeks	25.20 kg	48.592	60.740
Sheepskin MTO	Sheepskin 17mm, Sheepskin 50mm	VB1 & ATD1	Oak, Walnut	10-12 weeks	25.20 kg	60.292	75.365
COM	Fabric	VB1 & ATD1	Oak, Walnut	6-8 weeks	25.20 kg	35.216	44.020



Made using FSC® certified wood, supporting responsible environmental, social and economical management of the world's forests. Visit www.fsc.org

Base Variant

Solid Oak Oiled Oak
Solid Walnut Oiled Walnut

Material: Wood, HR foam, polyester wadding, fabric upholstery.

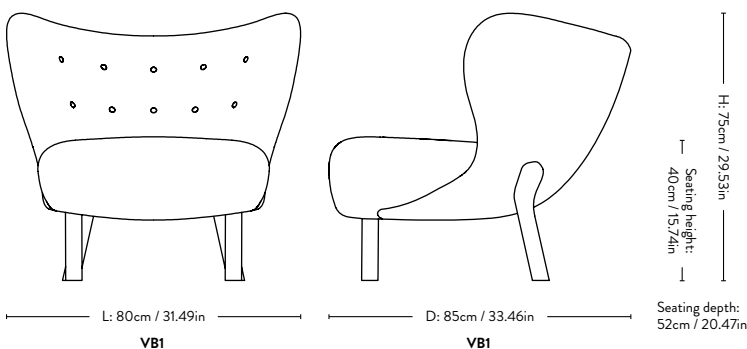
Fabric usage: 4.7 meters based on a 140cm roll.

COM must be approved by &Tradition to ensure suitability for upholstery.

Little Petra VB1 & Pouf ATD1 are not available in leather.

Felt gliders installed as standard.

As with most natural materials, differences in structure, density and thickness are expected, as two pieces of sheepskin never look identical and tend to show natural variations in both curls and tones.



Petra & Pouf VB3 & ATD1

Viggo Boesen 1938



Product no.	Upholstery	Product code	Base	Lead time	Weight	PRICE EX. VAT (SEK)	PRICE INC. VAT (SEK)
135657A235A020A399	Karakorum 003	VB3 & ATD1	Oak	6-8 weeks	31.70 kg	45.368	56.710
135658A235A020A399	Karakorum 003	VB3 & ATD1	Walnut	6-8 weeks	31.70 kg	45.368	56.710
135657A235A042A745	Sheepskin Moonlight 17mm	VB3 & ATD1	Oak	6-8 weeks	31.70 kg	72.232	90.290
135658A235A042A745	Sheepskin Moonlight 17mm	VB3 & ATD1	Walnut	6-8 weeks	31.70 kg	72.232	90.290
135657A235A040A731	Sheepskin Sahara 17mm	VB3 & ATD1	Oak	6-8 weeks	31.70 kg	72.232	90.290
135658A235A040A731	Sheepskin Sahara 17mm	VB3 & ATD1	Walnut	6-8 weeks	31.70 kg	72.232	90.290
135657A235A041A738	Sheepskin Honey 50 mm	VB3 & ATD1	Oak	6-8 weeks	31.70 kg	72.232	90.290
135658A235A041A738	Sheepskin Honey 50 mm	VB3 & ATD1	Walnut	6-8 weeks	31.70 kg	72.232	90.290

Fabric gr.	Upholstery	Product code	Base	Lead time	Weight	PRICE EX. VAT (SEK)	PRICE INC. VAT (SEK)
Fabric gr. 2	Barnum, Canvas, Fiord	VB3 & ATD1	Oak, Walnut	6-8 weeks	31.70 kg	41.188	51.485
Fabric gr. 3	Clay, Hallingdal, Mylla, Steelcut Quartet, Steelcut Trio	VB3 & ATD1	Oak, Walnut	6-8 weeks	31.70 kg	42.680	53.350
Fabric gr. 4	Acca, Cifrado, Ecriture, Moss, Vidar	VB3 & ATD1	Oak, Walnut	6-8 weeks	31.70 kg	43.932	54.915
Fabric gr. 5	Gentle, Karakorum, Sisu	VB3 & ATD1	Oak, Walnut	6-8 weeks	31.70 kg	50.144	62.680
Fabric gr. 6		VB3 & ATD1	Oak, Walnut	6-8 weeks	31.70 kg	79.396	99.245
Sheepskin MTO	Sheepskin 17mm, Sheepskin 50mm	VB3 & ATD1	Oak, Walnut	10-12 weeks	31.70 kg	79.396	99.245
COM	Fabric	VB3 & ATD1	Oak, Walnut	6-8 weeks	31.70 kg	41.188	51.485



Made using FSC® certified wood, supporting responsible environmental, social and economical management of the world's forests. Visit www.fsc.org

Base Variant

Solid Oak Oiled Oak
Solid Walnut Oiled Walnut

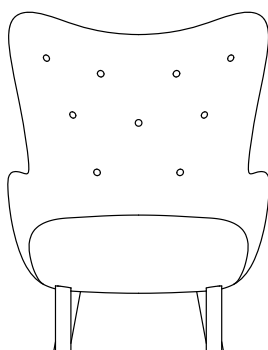
Material: Wood, HR foam, polyester wadding,
Fabric usage: 5.6 meters based on a 140cm roll

COM must be approved by &Tradition to ensure suitability for upholstery.

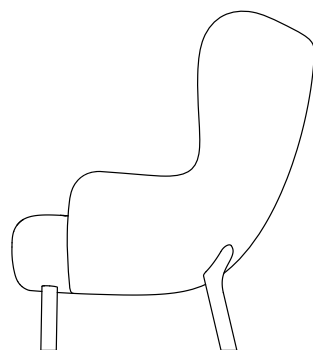
Petra VB3 and Pouf ATD1 are not available in leather

Felt gliders installed as standard.

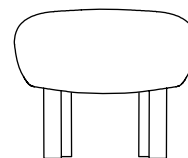
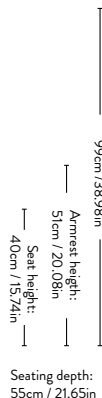
As with most natural materials, differences in structure, density and thickness are expected, as two pieces of sheepskin never look identical and tend to show natural variations in both curls and tones.



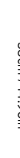
80cm / 31.49in
VB3



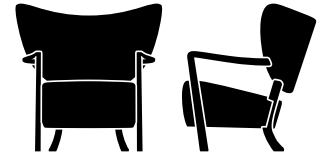
91cm / 35.83in
VB3



53cm / 20.87in
ATD1



Wulff ^{ATD2}
&Tradition
1938 / 2021



Product no.	Upholstery	Base	Lead time	Weight	PRICE EX. VAT (SEK)	PRICE INC. VAT (SEK)
134433A235A020A399	Karakorum 003	Oak	3-5 weeks	15.00 kg	33.428	41.785
134434A235A020A399		Walnut	3-5 weeks	15.00 kg	35.816	44.770
134433A235A042A745	Sheepskin Moonlight 17mm	Oak	3-5 weeks	15.00 kg	44.172	55.215
134434A235A042A745		Walnut	1-2 weeks	15.00 kg	46.560	58.200
134433A235A041A738	Sheepskin Honey 50mm	Oak	3-5 weeks	15.00 kg	44.172	55.215
134434A235A041A738		Walnut	3-5 weeks	15.00 kg	46.560	58.200

Fabric gr.	Upholstery	Base	Lead time	Weight	PRICE EX. VAT (SEK)	PRICE INC. VAT (SEK)
Fabric gr. 1	Grain, Hot Madison, Remix, Re-Wool	Oak	6-8 weeks	15.00 kg	28.652	35.815
		Walnut	6-8 weeks	15.00 kg	33.428	41.785
Fabric gr. 2	Barnum, Canvas, Fiord	Oak	6-8 weeks	15.00 kg	29.844	37.305
		Walnut	6-8 weeks	15.00 kg	34.620	43.275
Fabric gr. 3	Clay, Hallingdal, Mylla, Steelcut Quartet, Steelcut Trio	Oak	6-8 weeks	15.00 kg	31.040	38.800
		Walnut	6-8 weeks	15.00 kg	35.816	44.770
Fabric gr. 4	Acca, Cifrado, Ecriture, Moss, Vidar	Oak	6-8 weeks	15.00 kg	32.232	40.290
		Walnut	6-8 weeks	15.00 kg	37.008	46.260
Fabric gr. 5	Gentle, Karakorum, Sisu	Oak	6-8 weeks	15.00 kg	38.204	47.755
		Walnut	6-8 weeks	15.00 kg	42.980	53.725
Fabric gr. 6		Oak	6-8 weeks	15.00 kg	41.784	52.230
		Walnut	6-8 weeks	15.00 kg	47.160	58.950
Sheepskin MTO	Sheepskin 17mm, Sheepskin 50mm	Oak	10-12 weeks	15.00 kg	50.084	62.605
		Walnut	10-12 weeks	15.00 kg	54.860	68.575
COM	Fabric	Oak	6-8 weeks	15.00 kg	28.652	35.815
		Walnut	6-8 weeks	15.00 kg	33.428	41.785



Made using FSC® certified wood, supporting responsible environmental, social and economical management of the world's forests. Visit www.fsc.org

Material: Oiled wood, HR foam, polyester wadding, fabric upholstery.

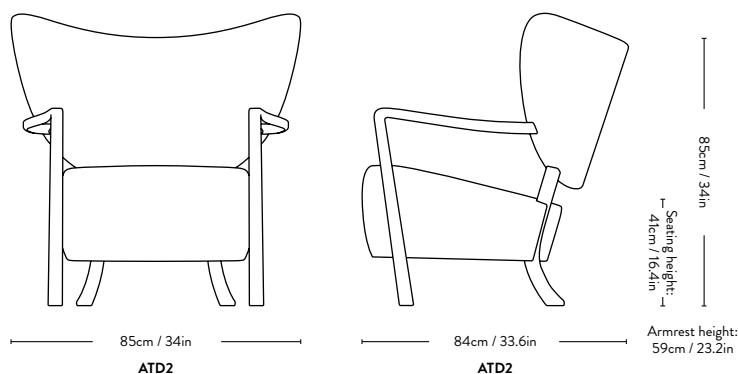
Fabric usage: 2.5 meters based on a 140cm roll.

COM must be approved by &Tradition to ensure suitability for upholstery.

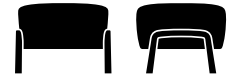
Wulff ATD2 is not available in leather.

Felt gliders installed as standard.

As with most natural materials, differences in structure, density and thickness are expected, as two pieces of sheepskin never look identical and tend to show natural variations in both curls and tones.



Wulff ^{ATD3} &Tradition 2022



Fabric gr.	Upholstery	Base	Lead time	Weight	PRICE EX. VAT (SEK)	PRICE INC. VAT (SEK)
Fabric gr. 1	Grain, Hot Madison, Remix, Re-Wool	Oak	6-8 weeks	6.70 kg	10.740	13.425
		Walnut	6-8 weeks	6.70 kg	11.336	14.170
Fabric gr. 2	Barnum, Canvas, Fiord	Oak	6-8 weeks	6.70 kg	11.336	14.170
		Walnut	6-8 weeks	6.70 kg	11.936	14.920
Fabric gr. 3	Clay, Hallingdal, Mylla, Steelcut Quartet, Steelcut Trio	Oak	6-8 weeks	6.70 kg	11.936	14.920
		Walnut	6-8 weeks	6.70 kg	12.532	15.665
Fabric gr. 4	Acca, Cifrado, Ecriture, Moss, Vidar	Oak	6-8 weeks	6.70 kg	12.532	15.665
		Walnut	6-8 weeks	6.70 kg	13.128	16.410
Fabric gr. 5	Gentle, Karakorum, Sisu	Oak	6-8 weeks	6.70 kg	14.324	17.905
		Walnut	6-8 weeks	6.70 kg	14.920	18.650
Fabric gr. 6		Oak	6-8 weeks	6.70 kg	15.516	19.395
		Walnut	6-8 weeks	6.70 kg	16.712	20.890
Sheepskin MTO	Sheepskin 17mm, Sheepskin 50mm	Oak	10-12 weeks	6.70 kg	16.112	20.140
		Walnut	10-12 weeks	6.70 kg	16.712	20.890
COM	Fabric	Oak	6-8 weeks	6.70 kg	10.740	13.425
		Walnut	6-8 weeks	6.70 kg	11.336	14.170



Made using FSC® certified wood, supporting responsible environmental, social and economical management of the world's forests. Visit www.fsc.org

Material: Oiled wood, HR foam, polyester wadding, fabric upholstery.

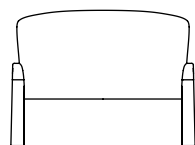
Fabric usage: 1.3 meters based on a 140cm roll.

COM must be approved by &Tradition to ensure suitability for upholstery.

Wulff ATD3 is not available in leather.

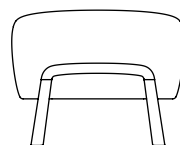
Felt gliders installed as standard.

As with most natural materials, differences in structure, density and thickness are expected, as two pieces of sheepskin never look identical and tend to show natural variations in both curls and tones.



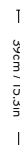
W: 58cm / 22.8in

ATD3



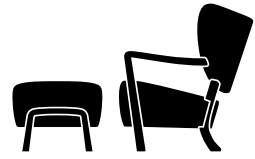
D: 53cm / 20.9in

ATD3



39cm / 15.3in

Wulff ATD2 & ATD3 &Tradition 2022



Product no.	Upholstery	Product code	Base	Lead time	Weight	PRICE EX. VAT (SEK)	PRICE INC. VAT (SEK)
134437A235A020A399	Karakorum 003	ATD2 & ATD3	Oak	6-8 weeks	21.70 kg	44.172	55.215
134438A235A020A399		ATD2 & ATD3	Walnut	6-8 weeks	21.70 kg	47.160	58.950
134437A235A042A745	Sheepskin Moonlight 17mm	ATD2 & ATD3	Oak	6-8 weeks	21.70 kg	56.712	70.890
134438A235A042A745		ATD2 & ATD3	Walnut	6-8 weeks	21.70 kg	59.696	74.620
134437A235A041A738	Sheepskin Honey 50mm	ATD2 & ATD3	Oak	6-8 weeks	21.70 kg	56.712	70.890
134438A235A041A738		ATD2 & ATD3	Walnut	6-8 weeks	21.70 kg	59.696	74.620

Fabric gr.	Upholstery	Product code	Base	Lead time	Weight	PRICE EX. VAT (SEK)	PRICE INC. VAT (SEK)
Fabric gr. 1	Grain, Hot Madison, Remix, Re-Wool	ATD2 & ATD3	Oak	6-8 weeks	21.70 kg	35.816	44.770
		ATD2 & ATD3	Walnut	6-8 weeks	21.70 kg	41.188	51.485
Fabric gr. 2	Barnum, Canvas, Fiord	ATD2 & ATD3	Oak	6-8 weeks	21.70 kg	37.604	47.005
		ATD2 & ATD3	Walnut	6-8 weeks	21.70 kg	42.980	53.725
Fabric gr. 3	Clay, Hallingdal, Mylla, Steelcut Quartet, Steelcut Trio	ATD2 & ATD3	Oak	6-8 weeks	21.70 kg	38.800	48.500
		ATD2 & ATD3	Walnut	6-8 weeks	21.70 kg	44.172	55.215
Fabric gr. 4	Acca, Cifrado, Ecriture, Moss, Vidar	ATD2 & ATD3	Oak	6-8 weeks	21.70 kg	41.188	51.485
		ATD2 & ATD3	Walnut	6-8 weeks	21.70 kg	46.560	58.200
Fabric gr. 5	Gentle, Karakorum, Sisu	ATD2 & ATD3	Oak	6-8 weeks	21.70 kg	48.948	61.185
		ATD2 & ATD3	Walnut	6-8 weeks	21.70 kg	54.324	67.905
Fabric gr. 6		ATD2 & ATD3	Oak	6-8 weeks	21.70 kg	53.724	60.292
		ATD2 & ATD3	Walnut	6-8 weeks	21.70 kg	60.292	75.365
Sheepskin MTO	Sheepskin 17mm, Sheepskin 50mm	ATD2 & ATD3	Oak	10-12 weeks	21.70 kg	56.712	70.890
		ATD2 & ATD3	Walnut	10-12 weeks	21.70 kg	59.696	74.620
COM	Fabric	ATD2 & ATD3	Oak	6-8 weeks	21.70 kg	35.816	44.770
		ATD2 & ATD3	Walnut	6-8 weeks	21.70 kg	41.188	51.485



Made using FSC® certified wood, supporting responsible environmental, social and economical management of the world's forests. Visit www.fsc.org

Material: Oiled wood, HR foam, polyester wadding, fabric upholstery.

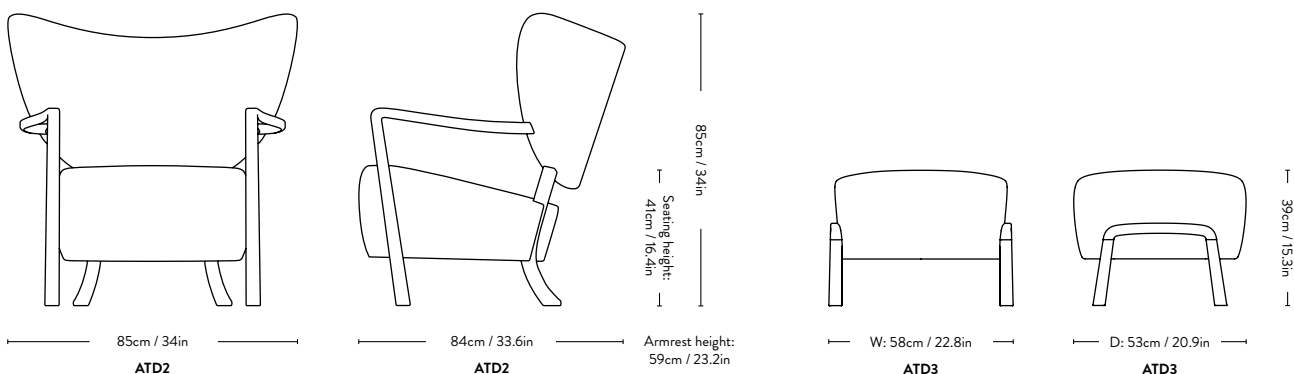
Fabric usage: 3.8 meters based on a 140cm roll.

COM must be approved by &Tradition to ensure suitability for upholstery.

Wulff ATD2 & ATD3 are not available in leather.

Felt gliders installed as standard.

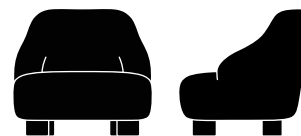
As with most natural materials, differences in structure, density and thickness are expected, as two pieces of sheepskin never look identical and tend to show natural variations in both curls and tones.



Margas LC1

Liljencrantz

2022



Product no.	Upholstery	Base	Lead time	Weight	PRICE EX. VAT (SEK)	PRICE INC. VAT (SEK)
134439A235A006A112	Clay 0011	Black Oak	3-5 weeks	26.00 kg	23.276	29.095
134440A235A006A112		Oak	3-5 weeks	26.00 kg	23.276	29.095
134441A235A006A112		Walnut	3-5 weeks	26.00 kg	26.860	33.575
134439A235A020A398	Karakorum 001	Black Oak	3-5 weeks	26.00 kg	25.068	31.335
134440A235A020A398		Oak	3-5 weeks	26.00 kg	25.068	31.335
134441A235A020A398		Walnut	3-5 weeks	26.00 kg	28.652	35.815
134439A235A040A731	Sheepskin 08 Sahara	Black Oak	3-5 weeks	26.00 kg	51.336	64.170
134440A235A040A731		Oak	3-5 weeks	26.00 kg	51.336	64.170
134441A235A040A731		Walnut	3-5 weeks	26.00 kg	54.920	68.650
134439A235A042A745	Sheepskin 09 Moonlight	Black Oak	3-5 weeks	26.00 kg	51.336	64.170
134440A235A042A745		Oak	3-5 weeks	26.00 kg	51.336	64.170
134441A235A042A745		Walnut	3-5 weeks	26.00 kg	54.920	68.650

Fabric gr.	Upholstery	Base	Lead time	Weight	PRICE EX. VAT (SEK)	PRICE INC. VAT (SEK)
Fabric gr. 1	Grain, Hot Madison, Remix, Re-Wool	Black Oak, Oak	6-8 weeks	26.00 kg	20.292	25.365
		Walnut	6-8 weeks	26.00 kg	23.876	29.845
Fabric gr. 2	Barnum, Canvas, Fiord	Black Oak, Oak	6-8 weeks	26.00 kg	22.680	28.350
		Walnut	6-8 weeks	26.00 kg	26.264	32.830
Fabric gr. 3	Clay, Hallingdal, Mylla, Steelcut Quartet, Steelcut Trio	Black Oak, Oak	6-8 weeks	26.00 kg	23.276	29.095
		Walnut	6-8 weeks	26.00 kg	26.860	33.575
Fabric gr. 4	Acca, Cifrado, Ecriture, Moss, Vidar	Black Oak, Oak	6-8 weeks	26.00 kg	23.876	29.845
		Walnut	6-8 weeks	26.00 kg	27.456	34.320
Fabric gr. 5	Gentle, Karakorum, Sisu	Black Oak, Oak	6-8 weeks	26.00 kg	28.652	35.815
		Walnut	6-8 weeks	26.00 kg	32.232	40.290
Fabric gr. 6		Black Oak, Oak	6-8 weeks	26.00 kg	31.636	39.545
		Walnut	6-8 weeks	26.00 kg	35.816	44.770
COM	Fabric	Black Oak, Oak	6-8 weeks	26.00 kg	20.292	25.365
		Walnut	6-8 weeks	26.00 kg	23.876	29.845



Made using FSC® certified wood, supporting responsible environmental, social and economical management of the world's forests. Visit www.fsc.org

Material: Wood, HR foam, polyester wadding, fabric upholstery.

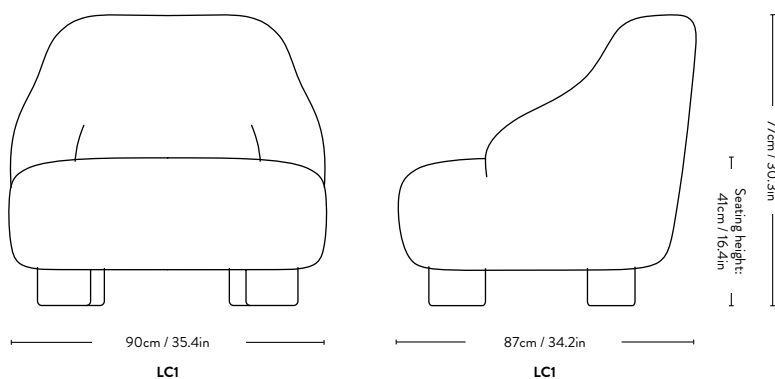
Legs: Black water based lacquered Oak, Oiled Oak or Oiled Walnut

Fabric usage: 2.8 meters based on a 140cm roll.

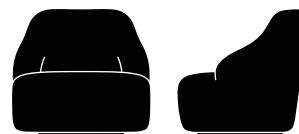
COM must be approved by &Tradition to ensure suitability for upholstery.

Margas LC1 is not available in leather.

Felt gliders installed as standard.



Margas LC2 Liljencrantz 2022



Product no.	Upholstery	Base	Lead time	Weight	PRICE EX. VAT (SEK)	PRICE INC. VAT (SEK)
134442A235A006A112	Clay 0011	Black Swivel	3-5 weeks	32.00 kg	23.276	29.095
134442A235A020A398	Karakorum 001	Black Swivel	3-5 weeks	32.00 kg	25.068	31.335
134442A235A040A731	Sheepskin 08 Sahara	Black Swivel	3-5 weeks	32.00 kg	51.336	64.170
134442A235A042A745	Sheepskin 09 Moonlight	Black Swivel	3-5 weeks	32.00 kg	51.336	64.170

Fabric gr.	Upholstery	Base	Lead time	Weight	PRICE EX. VAT (SEK)	PRICE INC. VAT (SEK)
Fabric gr. 1	Grain, Hot Madison, Remix, Re-Wool	Black Swivel	6-8 weeks	32.00 kg	20.292	25.365
Fabric gr. 2	Barnum, Canvas, Fiord	Black Swivel	6-8 weeks	32.00 kg	22.680	28.350
Fabric gr. 3	Clay, Hallingdal, Mylla, Steelcut Quartet, Steelcut Trio	Black Swivel	6-8 weeks	32.00 kg	23.276	29.095
Fabric gr. 4	Acca, Cifrado, Ecriture, Moss, Vidar	Black Swivel	6-8 weeks	32.00 kg	23.876	29.845
Fabric gr. 5	Gentle, Karakorum, Sisu	Black Swivel	6-8 weeks	32.00 kg	28.652	35.815
Fabric gr. 6		Black Swivel	6-8 weeks	32.00 kg	31.636	39.545
COM	Fabric	Black Swivel	6-8 weeks	32.00 kg	20.292	25.365

Material: Wood, HR foam, polyester wadding, fabric upholstery.

Fabric usage: 2.8 meters based on a 140cm roll.

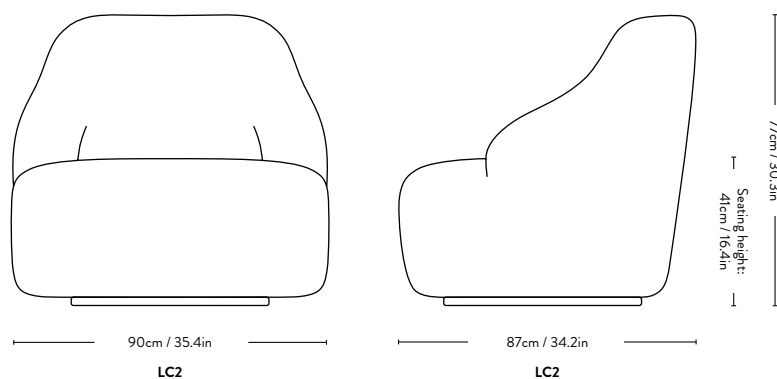
COM must be approved by &Tradition to ensure suitability for upholstery.

Margas LC2 is not available in leather.

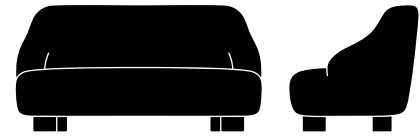
Felt gliders installed as standard.
Swivel w. return function.



Made using FSC® certified wood, supporting responsible environmental, social and economical management of the world's forests. Visit www.fsc.org



Margas LC3 Liljencrantz 2022



Product no.	Upholstery	Base	Lead time	Weight	PRICE EX. VAT (SEK)	PRICE INC. VAT (SEK)
134443A235A006A112	Clay 0011	Black Oak	3-5 weeks	38.00 kg	32.232	40.290
134444A235A006A112		Oak	3-5 weeks	38.00 kg	32.232	40.290
134445A235A006A112		Walnut	3-5 weeks	38.00 kg	35.816	44.770
134443A235A020A398	Karakorum 001	Black Oak	3-5 weeks	38.00 kg	34.620	43.275
134444A235A020A398		Oak	3-5 weeks	38.00 kg	34.620	43.275
134445A235A020A398		Walnut	3-5 weeks	38.00 kg	38.204	47.755

Fabric gr.	Upholstery	Base	Lead time	Weight	PRICE EX. VAT (SEK)	PRICE INC. VAT (SEK)
Fabric gr. 1	Grain, Hot Madison, Remix, Re-Wool	Black Oak, Oak	6-8 weeks	38.00 kg	27.456	34.320
		Walnut	6-8 weeks	38.00 kg	31.040	38.800
Fabric gr. 2	Barnum, Canvas, Fiord	Black Oak, Oak	6-8 weeks	38.00 kg	31.040	38.800
		Walnut	6-8 weeks	38.00 kg	34.620	43.275
Fabric gr. 3	Clay, Hallingdal, Mylla, Steelcut Quartet, Steelcut Trio	Black Oak, Oak	6-8 weeks	38.00 kg	32.232	40.290
		Walnut	6-8 weeks	38.00 kg	35.816	44.770
Fabric gr. 4	Acca, Cifrado, Ecriture, Moss, Vidar	Black Oak, Oak	6-8 weeks	38.00 kg	33.428	41.785
		Walnut	6-8 weeks	38.00 kg	37.008	46.260
Fabric gr. 5	Gentle, Karakorum, Sisu	Black Oak, Oak	6-8 weeks	38.00 kg	38.204	47.755
		Walnut	6-8 weeks	38.00 kg	41.784	52.230
Fabric gr. 6		Black Oak, Oak	6-8 weeks	38.00 kg	41.784	52.230
		Walnut	6-8 weeks	38.00 kg	45.964	57.455
COM	Fabric	Black Oak, Oak	6-8 weeks	38.00 kg	27.456	34.320
		Walnut	6-8 weeks	38.00 kg	31.040	38.800



Made using FSC® certified wood, supporting responsible environmental, social and economical management of the world's forests. Visit www.fsc.org

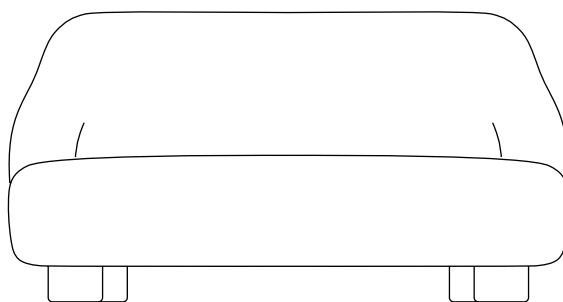
Material: Wood, HR foam, polyester wadding, fabric upholstery.
Legs: Black water based lacquered Oak, Oiled Oak or Oiled Walnut

Fabric usage: 4.2 meters based on a 140cm roll.

COM must be approved by &Tradition to ensure suitability for upholstery.

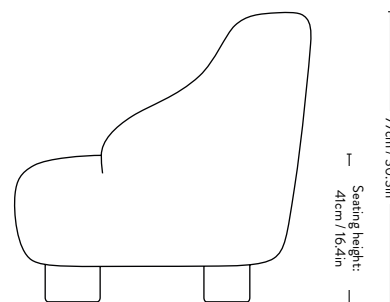
Margas LC3 is not available in leather.

Felt gliders installed as standard.



160cm / 62.9in

LC3



87cm / 34.2in

LC3

77cm / 30.3in
Seating height:
41cm / 16.4in

Margas LC4

Liljencrantz

2024



Product no.	Upholstery	Lead time	Weight	PRICE EX. VAT (SEK)	PRICE INC. VAT (SEK)
137189A235A006A112	Clay 0011	3-5 weeks	72.00 kg	45.368	56.710
137189A235A020A398	Karakorum 001	3-5 weeks	72.00 kg	48.948	61.185
137189A235A040A731	Sheepskin 08 Sahara	3-5 weeks	72.00 kg	107.456	134.320
137189A235A042A745	Sheepskin 09 Moonlight	3-5 weeks	72.00 kg	107.456	134.320

Fabric gr.	Upholstery	Lead time	Weight	PRICE EX. VAT (SEK)	PRICE INC. VAT (SEK)
Fabric gr. 1	Grain, Hot Madison, Remix, Re-Wool	6-8 weeks	72.00 kg	41.784	52.230
Fabric gr. 2	Barnum, Canvas, Fiord	6-8 weeks	72.00 kg	44.172	55.215
Fabric gr. 3	Clay, Hallingdal, Mylla, Steelcut Quartet, Steelcut Trio	6-8 weeks	72.00 kg	45.368	56.710
Fabric gr. 4	Acca, Cifrado, Ecriture, Moss, Vidar	6-8 weeks	72.00 kg	48.948	61.185
Fabric gr. 5	Gentle, Karakorum, Sisu	6-8 weeks	72.00 kg	53.724	67.155
Fabric gr. 6		6-8 weeks	72.00 kg	63.276	79.095
COM	Fabric	6-8 weeks	72.00 kg	41.784	52.230



Made using FSC® certified wood, supporting responsible environmental, social and economical management of the world's forests. Visit www.fsc.org

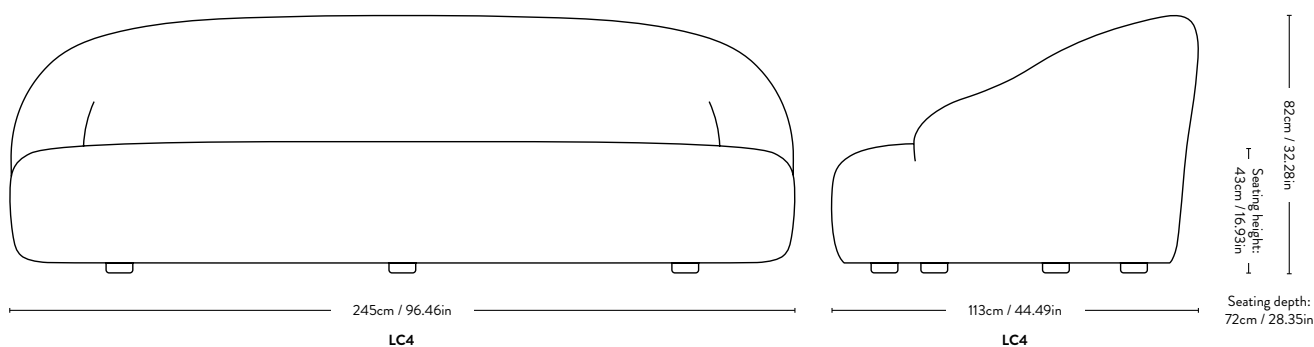
Material: Wood, HR foam, polyester wadding, fabric upholstery.

Fabric usage: 8 meters based on 140cm roll.

COM must be approved by &Tradition to ensure suitability for upholstery.

Margas LC4 is not available in leather.

Felt gliders installed as standard.



Margas LC5 Liljencrantz 2024



Product no.	Upholstery	Lead time	Weight	PRICE EX. VAT (SEK)	PRICE INC. VAT (SEK)
137190A235A040A731	Sheepskin 08 Sahara	3-5 weeks	13.50kg	23.876	29.845
137190A235A042A745	Sheepskin 09 Moonlight	3-5 weeks	13.50kg	23.876	29.845

Fabric gr.	Upholstery	Lead time	Weight	PRICE EX. VAT (SEK)	PRICE INC. VAT (SEK)
Fabric gr. 1	Grain, Hot Madison, Remix, Re-Wool	6-8 weeks	13.50kg	8.948	11.185
Fabric gr. 2	Barnum, Canvas, Fiord	6-8 weeks	13.50kg	10.500	13.125
Fabric gr. 3	Clay, Hallingdal, Mylla, Steelcut Quartet, Steelcut Trio	6-8 weeks	13.50kg	10.740	13.425
Fabric gr. 4	Acca, Cifrado, Ecriture, Moss, Vidar	6-8 weeks	13.50kg	12.292	15.365
Fabric gr. 5	Gentle, Karakorum, Sisu	6-8 weeks	13.50kg	13.128	16.410
Fabric gr. 6	Tiger Mountain**	6-8 weeks	13.50kg	16.112	20.140
COM	Fabric	6-8 weeks	13.50kg	8.948	11.185

** Please be aware that the placement of the pattern may vary from piece to piece due to optimal usage of fabric when cutting. Patterns may not align at seams or edges



Made using FSC® certified wood, supporting responsible environmental, social and economical management of the world's forests. Visit www.fsc.org

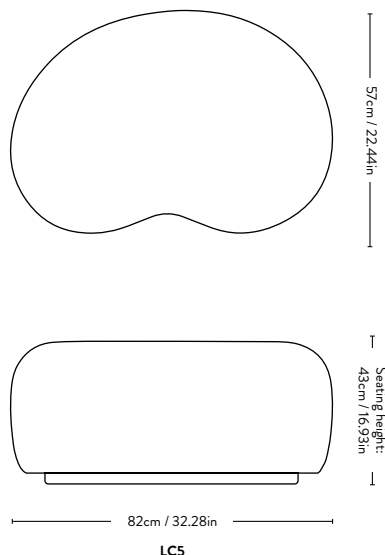
Material: Wood, HR foam, polyester wadding, fabric upholstery.

Fabric usage: 1.8 meters based on 140cm roll.

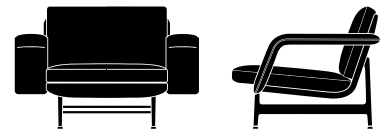
COM must be approved by &Tradition to ensure suitability for upholstery.

Margas LC5 is not available in leather.

Felt gliders installed as standard.



Meantime AV29 Anderssen & Voll 2025



Fabric gr.	Upholstery	Base	Lead time	Weight	PRICE EX. VAT (SEK)	PRICE INC. VAT (SEK)
Fabric gr. 1	Grain, Hot Madison, Remix, Re-wool	Warm Black, Polished Aluminum	6-8 weeks	25.00 kg	21.488	26.860
Fabric gr. 2	Barnum, Canvas, Fiord	Warm Black, Polished Aluminum	6-8 weeks	25.00 kg	23.876	29.845
Fabric gr. 3	Clay, Hallingdal, Mylla, Steelcut Quartet, Steelcut Trio	Warm Black, Polished Aluminum	6-8 weeks	25.00 kg	24.472	30.590
Fabric gr. 4	Acca, Beda, Cifrado, Ecriture, Moss, Vidar	Warm Black, Polished Aluminum	6-8 weeks	25.00 kg	27.456	34.320
Fabric gr. 5	Gentle, Karakorum, Sisu	Warm Black, Polished Aluminum	6-8 weeks	25.00 kg	32.232	40.290
Fabric gr. 6	Fuse	Warm Black, Polished Aluminum	6-8 weeks	25.00 kg	35.816	44.770
Leather	Noble Aniline leather	Warm Black, Polished Aluminum	6-8 weeks	25.00 kg	35.816	44.770
Leather	Elmosoft Semi-aniline leather	Warm Black, Polished Aluminum	6-8 weeks	25.00 kg	38.204	47.755
COM	Fabric	Warm Black, Polished Aluminum	6-8 weeks	25.00 kg	21.488	26.860

Product no.	Product	Variant	Lead time	PRICE EX. VAT (SEK)	PRICE INC. VAT (SEK)
145307	Plastic gliders for Drawn, Elefy w. wood base, Rely w. tube (ex. stacking) & wood base, Muno, and Meantime , 4 pcs	Black	Stock item	88	110
145308	Felt gliders for Drawn, Elefy w. wood base, Rely w. tube (ex. stacking) & wood base, Muno, and Meantime Lounge Chairs, 4 pcs	Black	Stock item	88	110



Made using FSC® certified wood, supporting responsible environmental, social and economical management of the world's forests. Visit www.fsc.org

Material: Plywood frame, HR foam, polyester wadding, polished or powder-coated aluminium. Fabric or leather upholstery.

Fabric usage: 3.4 meters based on 140 cm roll

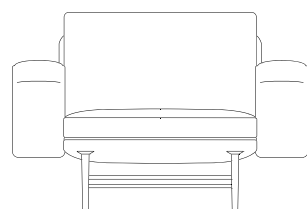
Leather usage: 7.3 square meters based on a yield of 60% pr hide.

COM must be approved by &Tradition to ensure suitability for upholstery.

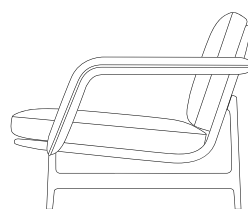
Plastic gliders installed as standard.

Felt gliders available upon request.

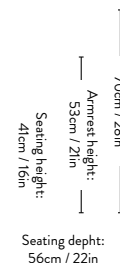
Armrest width:
19cm / 7.5in



105cm / 41in
AV29



85cm / 33in
AV29



Meantime AV30 Anderssen & Voll 2025



Fabric gr.	Upholstery	Base	Lead time	Weight	PRICE EX. VAT (SEK)	PRICE INC. VAT (SEK)
Fabric gr. 1	Grain, Hot Madison, Remix, Re-wool	Warm Black, Polished Aluminum	6-8 weeks	40.00 kg	29.844	37.305
Fabric gr. 2	Barnum, Canvas, Fiord	Warm Black, Polished Aluminum	6-8 weeks	40.00 kg	32.232	40.290
Fabric gr. 3	Clay, Hallingdal, Mylla, Steelcut Quartet, Steelcut Trio	Warm Black, Polished Aluminum	6-8 weeks	40.00 kg	33.428	41.785
Fabric gr. 4	Acca, Beda, Cifrado, Ecriture, Moss, Vidar	Warm Black, Polished Aluminum	6-8 weeks	40.00 kg	35.816	44.770
Fabric gr. 5	Gentle, Karakorum, Sisu	Warm Black, Polished Aluminum	6-8 weeks	40.00 kg	45.368	56.710
Fabric gr. 6	Fuse	Warm Black, Polished Aluminum	6-8 weeks	40.00 kg	51.336	64.170
Leather	Noble Aniline leather	Warm Black, Polished Aluminum	6-8 weeks	40.00 kg	47.756	59.695
Leather	Elmosoft Semi-aniline leather	Warm Black, Polished Aluminum	6-8 weeks	40.00 kg	53.724	67.155
COM	Fabric	Warm Black, Polished Aluminum	6-8 weeks	40.00 kg	29.844	37.305

Product no.	Product	Variant	Lead time	PRICE EX. VAT (SEK)	PRICE INC. VAT (SEK)
145307	Plastic gliders for Drawn, Elefy w. wood base, Rely w. tube (ex. stacking) & wood base, Muno, and Meantime , 4 pcs	Black	Stock item	88	110
145308	Felt gliders for Drawn, Elefy w. wood base, Rely w. tube (ex. stacking) & wood base, Muno, and Meantime Lounge Chairs, 4 pcs	Black	Stock item	88	110



Made using FSC® certified wood, supporting responsible environmental, social and economical management of the world's forests. Visit www.fsc.org

Material: Plywood frame, HR foam, polyester wadding, polished or powder-coated aluminium. Fabric or leather upholstery.

Fabric usage: 6.8 meters based on 140 cm roll

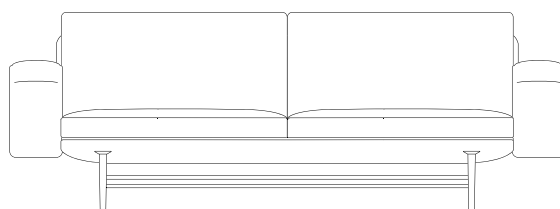
Leather usage: 14 square meters based on a yield of 60% pr hide.

COM must be approved by &Tradition to ensure suitability for upholstery.

Plastic gliders installed as standard.

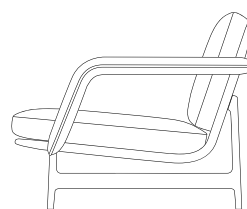
Felt gliders available upon request.

Armrest width:
19cm / 7.5in



194cm / 76in

AV30



85cm / 33in

AV30

70cm / 28in
Armrest height:
53cm / 21in
Seating height:
41cm / 16in
Seating depth:
56cm / 22in

Meantime AV31

Anderssen & Voll

2025



Fabric gr.	Upholstery	Base	Lead time	Weight	PRICE EX. VAT (SEK)	PRICE INC. VAT (SEK)
Fabric gr. 1	Grain, Hot Madison, Remix, Re-wool	Warm Black, Polished Aluminum	6-8 weeks	50.00 kg	35.816	44.770
Fabric gr. 2	Barnum, Canvas, Fiord	Warm Black, Polished Aluminum	6-8 weeks	50.00 kg	38.204	47.755
Fabric gr. 3	Clay, Hallingdal, Mylla, Steelcut Quartet, Steelcut Trio	Warm Black, Polished Aluminum	6-8 weeks	50.00 kg	39.396	49.245
Fabric gr. 4	Acca, Beda, Cifrado, Ecriture, Moss, Vidar	Warm Black, Polished Aluminum	6-8 weeks	50.00 kg	41.784	52.230
Fabric gr. 5	Gentle, Karakorum, Sisu	Warm Black, Polished Aluminum	6-8 weeks	50.00 kg	51.336	64.170
Fabric gr. 6	Fuse	Warm Black, Polished Aluminum	6-8 weeks	50.00 kg	59.696	74.620
Leather	Noble Aniline leather	Warm Black, Polished Aluminum	6-8 weeks	50.00 kg	53.724	67.155
Leather	Elmosoft Semi-aniline leather	Warm Black, Polished Aluminum	6-8 weeks	50.00 kg	59.696	74.620
COM	Fabric	Warm Black, Polished Aluminum	6-8 weeks	50.00 kg	35.816	44.770

Product no.	Product	Variant	Lead time	PRICE EX. VAT (SEK)	PRICE INC. VAT (SEK)
145307	Plastic gliders for Drawn, Elefy w. wood base, Rely w. tube (ex. stacking) & wood base, Muno, and Meantime , 4 pcs	Black	Stock item	88	110
145308	Felt gliders for Drawn, Elefy w. wood base, Rely w. tube (ex. stacking) & wood base, Muno, and Meantime Lounge Chairs, 4 pcs	Black	Stock item	88	110



Made using FSC® certified wood, supporting responsible environmental, social and economical management of the world's forests. Visit www.fsc.org

Material: Plywood frame, HR foam, polyester wadding, polished or powder-coated aluminium. Fabric or leather upholstery.

Fabric usage: 7.2 meters based on 140 cm roll

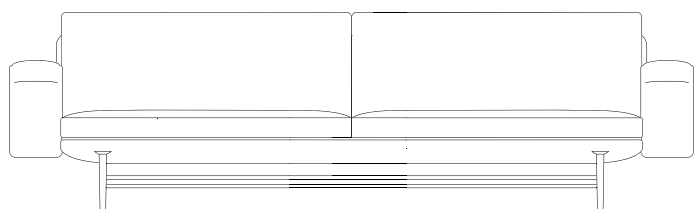
Leather usage: 15 square meters based on a yield of 60% pr hide.

COM must be approved by &Tradition to ensure suitability for upholstery.

Plastic gliders installed as standard.

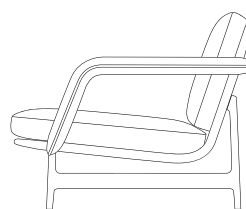
Felt gliders available upon request.

Armrest width:
19cm / 7.5in



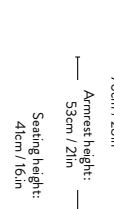
237cm / 93in

AV31



85cm / 33in

AV31

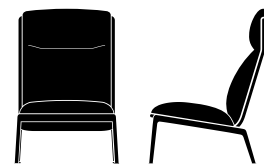


Seating depth:
56cm / 22in

Muno LN16

Luca Nichetto

2025



Fabric gr.	Upholstery	Base	Lead time	Weight	PRICE EX. VAT (SEK)	PRICE INC. VAT (SEK)
Fabric gr. 1	Grain, Hot Madison, Remix, Re-wool	Warm Black, Dark Chrome	6-8 weeks	18.00 kg	17.308	21.635
Fabric gr. 2	Barnum, Canvas, Fiord	Warm Black, Dark Chrome	6-8 weeks	18.00 kg	19.100	23.875
Fabric gr. 3	Clay, Hallingdal, Mylla, Steelcut Quartet, Steelcut Trio	Warm Black, Dark Chrome	6-8 weeks	18.00 kg	19.696	24.620
Fabric gr. 4	Acca, Beda, Cifrado, Ecriture, Moss, Vidar	Warm Black, Dark Chrome	6-8 weeks	18.00 kg	22.084	27.605
Fabric gr. 5	Gentle, Karakorum, Sisu	Warm Black, Dark Chrome	6-8 weeks	18.00 kg	23.876	29.845
Fabric gr. 6	Fuse	Warm Black, Dark Chrome	6-8 weeks	18.00 kg	29.844	37.305
Leather	Noble Aniline leather	Warm Black, Dark Chrome	6-8 weeks	18.00 kg	29.844	37.305
Leather	Elmosoft Semi-aniline leather	Warm Black, Dark Chrome	6-8 weeks	18.00 kg	31.636	39.545
COM	Fabric	Warm Black, Dark Chrome	6-8 weeks	18.00 kg	17.308	21.635

Product no.	Product	Variant	Lead time	PRICE EX. VAT (SEK)	PRICE INC. VAT (SEK)
145307	Plastic gliders for Drawn, Elefy w. wood base, Rely w. tube (ex. stacking) & wood base, Muno, and Meantime , 4 pcs	Black	Stock item	88	110
145308	Felt gliders for Drawn, Elefy w. wood base, Rely w. tube (ex. stacking) & wood base, Muno, and Meantime Lounge Chairs, 4 pcs	Black	Stock item	88	110



Made using FSC® certified wood, supporting responsible environmental, social and economical management of the world's forests. Visit www.fsc.org

Material: Plywood frame, HR foam, polyester wadding, polished or powder-coated aluminium. Fabric or leather upholstery.

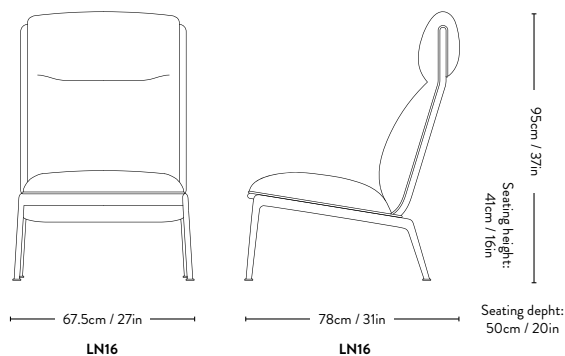
Fabric usage: 3.9 meters based on 140 cm roll

Leather usage: 7.8 square meters based on a yield of 60% pr hide.

COM must be approved by &Tradition to ensure suitability for upholstery.

Plastic gliders installed as standard.

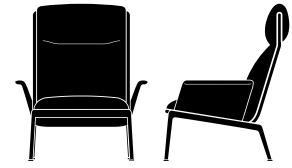
Felt gliders available upon request.



Muno LN17

Luca Nichetto

2025



Fabric gr.	Upholstery	Base	Lead time	Weight	PRICE EX. VAT (SEK)	PRICE INC. VAT (SEK)
Fabric gr. 1	Grain, Hot Madison, Remix, Re-wool	Warm Black, Dark Chrome	6-8 weeks	20.00 kg	20.292	25.365
Fabric gr. 2	Barnum, Canvas, Fiord	Warm Black, Dark Chrome	6-8 weeks	20.00 kg	22.084	27.605
Fabric gr. 3	Clay, Hallingdal, Mylla, Steelcut Quartet, Steelcut Trio	Warm Black, Dark Chrome	6-8 weeks	20.00 kg	24.472	30.590
Fabric gr. 4	Acca, Beda, Cifrado, Ecriture, Moss, Vidar	Warm Black, Dark Chrome	6-8 weeks	20.00 kg	26.264	32.830
Fabric gr. 5	Gentle, Karakorum, Sisu	Warm Black, Dark Chrome	6-8 weeks	20.00 kg	28.052	35.065
Fabric gr. 6	Fuse	Warm Black, Dark Chrome	6-8 weeks	20.00 kg	34.620	43.275
Leather	Noble Aniline leather	Warm Black, Dark Chrome	6-8 weeks	20.00 kg	34.620	43.275
Leather	Elmosoft Semi-aniline leather	Warm Black, Dark Chrome	6-8 weeks	20.00 kg	36.412	45.515
COM	Fabric	Warm Black, Dark Chrome	6-8 weeks	20.00 kg	20.292	25.365

Product no.	Product	Variant	Lead time	PRICE EX. VAT (SEK)	PRICE INC. VAT (SEK)
145307	Plastic gliders for Drawn, Elefy w. wood base, Rely w. tube (ex. stacking) & wood base, Muno, and Meantime , 4 pcs	Black	Stock item	88	110
145308	Felt gliders for Drawn, Elefy w. wood base, Rely w. tube (ex. stacking) & wood base, Muno, and Meantime Lounge Chairs, 4 pcs	Black	Stock item	88	110



Made using FSC® certified wood, supporting responsible environmental, social and economical management of the world's forests. Visit www.fsc.org

Material: Plywood frame, HR foam, polyester wadding, polished or powder-coated aluminium. Fabric or leather upholstery.

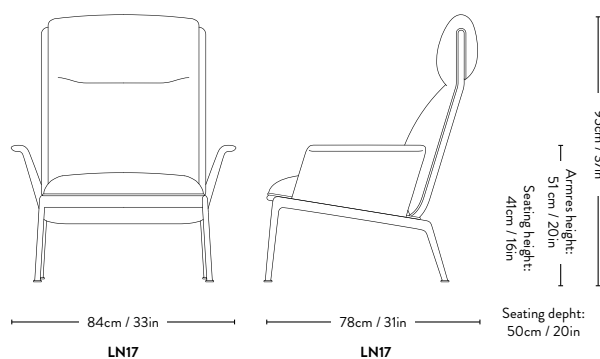
Fabric usage: 4.5 meters based on 140 cm roll

Leather usage: 9 square meters based on a yield of 60% pr hide.

COM must be approved by &Tradition to ensure suitability for upholstery.

Plastic gliders installed as standard.

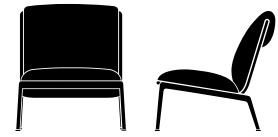
Felt gliders available upon request.



Muno LN18

Luca Nichetto

2025



Fabric gr.	Upholstery	Base	Lead time	Weight	PRICE EX. VAT (SEK)	PRICE INC. VAT (SEK)
Fabric gr. 1	Grain, Hot Madison, Remix, Re-wool	Warm Black, Dark Chrome	6-8 weeks	16.00 kg	15.516	19.395
Fabric gr. 2	Barnum, Canvas, Fiord	Warm Black, Dark Chrome	6-8 weeks	16.00 kg	16.712	20.890
Fabric gr. 3	Clay, Hallingdal, Mylla, Steelcut Quartet, Steelcut Trio	Warm Black, Dark Chrome	6-8 weeks	16.00 kg	17.308	21.635
Fabric gr. 4	Acca, Beda, Cifrado, Ecriture, Moss, Vidar	Warm Black, Dark Chrome	6-8 weeks	16.00 kg	19.696	24.620
Fabric gr. 5	Gentle, Karakorum, Sisu	Warm Black, Dark Chrome	6-8 weeks	16.00 kg	20.888	26.110
Fabric gr. 6	Fuse	Warm Black, Dark Chrome	6-8 weeks	16.00 kg	29.844	37.305
Leather	Noble Aniline leather	Warm Black, Dark Chrome	6-8 weeks	16.00 kg	26.264	32.830
Leather	Elmosoft Semi-aniline leather	Warm Black, Dark Chrome	6-8 weeks	16.00 kg	28.052	35.065
COM	Fabric	Warm Black, Dark Chrome	6-8 weeks	16.00 kg	15.516	19.395

Product no.	Product	Variant	Lead time	PRICE EX. VAT (SEK)	PRICE INC. VAT (SEK)
145307	Plastic gliders for Drawn, Elefy w. wood base, Rely w. tube (ex. stacking) & wood base, Muno, and Meantime , 4 pcs	Black	Stock item	88	110
145308	Felt gliders for Drawn, Elefy w. wood base, Rely w. tube (ex. stacking) & wood base, Muno, and Meantime Lounge Chairs, 4 pcs	Black	Stock item	88	110



Made using FSC® certified wood, supporting responsible environmental, social and economical management of the world's forests. Visit www.fsc.org

Material: Plywood frame, HR foam, polyester wadding, polished or powder-coated aluminium. Fabric or leather upholstery.

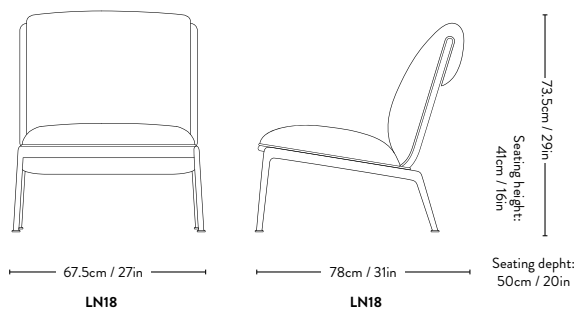
Fabric usage: 3.4 meters based on 140 cm roll

Leather usage: 7 square meters based on a yield of 60% pr hide.

COM must be approved by &Tradition to ensure suitability for upholstery.

Plastic gliders installed as standard.

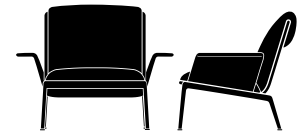
Felt gliders available upon request.



Muno LN19

Luca Nichetto

2025



Fabric gr.	Upholstery	Base	Lead time	Weight	PRICE EX. VAT (SEK)	PRICE INC. VAT (SEK)
Fabric gr. 1	Grain, Hot Madison, Remix, Re-wool	Warm Black, Dark Chrome	6-8 weeks	18.00 kg	18.500	23.125
Fabric gr. 2	Barnum, Canvas, Fiord	Warm Black, Dark Chrome	6-8 weeks	18.00 kg	19.696	24.620
Fabric gr. 3	Clay, Hallingdal, Mylla, Steelcut Quartet, Steelcut Trio	Warm Black, Dark Chrome	6-8 weeks	18.00 kg	20.292	25.365
Fabric gr. 4	Acca, Beda, Cifrado, Ecriture, Moss, Vidar	Warm Black, Dark Chrome	6-8 weeks	18.00 kg	23.276	29.095
Fabric gr. 5	Gentle, Karakorum, Sisu	Warm Black, Dark Chrome	6-8 weeks	18.00 kg	25.664	32.080
Fabric gr. 6	Fuse	Warm Black, Dark Chrome	6-8 weeks	18.00 kg	31.040	38.800
Leather	Noble Aniline leather	Warm Black, Dark Chrome	6-8 weeks	18.00 kg	29.844	37.305
Leather	Elmosoft Semi-aniline leather	Warm Black, Dark Chrome	6-8 weeks	18.00 kg	32.232	40.290
COM	Fabric	Warm Black, Dark Chrome	6-8 weeks	18.00 kg	18.500	23.125

Product no.	Product	Variant	Lead time	PRICE EX. VAT (SEK)	PRICE INC. VAT (SEK)
145307	Plastic gliders for Drawn, Elefy w. wood base, Rely w. tube (ex. stacking) & wood base, Muno, and Meantime , 4 pcs	Black	Stock item	88	110
145308	Felt gliders for Drawn, Elefy w. wood base, Rely w. tube (ex. stacking) & wood base, Muno, and Meantime Lounge Chairs, 4 pcs	Black	Stock item	88	110



Made using FSC® certified wood, supporting responsible environmental, social and economical management of the world's forests. Visit www.fsc.org

Material: Plywood frame, HR foam, polyester wadding, polished or powder-coated aluminium. Fabric or leather upholstery.

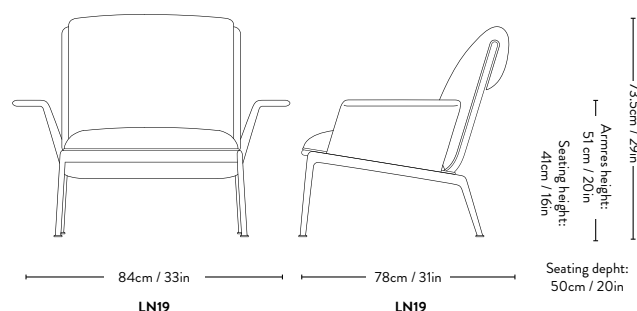
Fabric usage: 4 meters based on 140 cm roll

Leather usage: 8.2 square meters based on a yield of 60% pr hide.

COM must be approved by &Tradition to ensure suitability for upholstery.

Plastic gliders installed as standard.

Felt gliders available upon request.



Muno LN20

Luca Nichetto

2025



Fabric gr.	Upholstery	Base	Lead time	Weight	PRICE EX. VAT (SEK)	PRICE INC. VAT (SEK)
Fabric gr. 1	Grain, Hot Madison, Remix, Re-wool	Warm Black, Dark Chrome	6-8 weeks	10.00 kg	8.352	10.440
Fabric gr. 2	Barnum, Canvas, Fiord	Warm Black, Dark Chrome	6-8 weeks	10.00 kg	9.548	11.935
Fabric gr. 3	Clay, Hallingdal, Mylla, Steelcut Quartet, Steelcut Trio	Warm Black, Dark Chrome	6-8 weeks	10.00 kg	9.904	12.380
Fabric gr. 4	Acca, Beda, Cifrado, Ecriture, Moss, Vidar	Warm Black, Dark Chrome	6-8 weeks	10.00 kg	11.100	13.875
Fabric gr. 5	Gentle, Karakorum, Sisu	Warm Black, Dark Chrome	6-8 weeks	10.00 kg	11.936	14.920
Fabric gr. 6	Fuse	Warm Black, Dark Chrome	6-8 weeks	10.00 kg	14.324	17.905
Leather	Noble Aniline leather	Warm Black, Dark Chrome	6-8 weeks	10.00 kg	14.324	17.905
Leather	Elmosoft Semi-aniline leather	Warm Black, Dark Chrome	6-8 weeks	10.00 kg	15.516	19.395
COM	Fabric	Warm Black, Dark Chrome	6-8 weeks	10.00 kg	8.352	10.440

Product no.	Product	Variant	Lead time	PRICE EX. VAT (SEK)	PRICE INC. VAT (SEK)
145307	Plastic gliders for Drawn, Elefy w. wood base, Rely w. tube (ex. stacking) & wood base, Muno, and Meantime , 4 pcs	Black	Stock item	88	110
145308	Felt gliders for Drawn, Elefy w. wood base, Rely w. tube (ex. stacking) & wood base, Muno, and Meantime Lounge Chairs, 4 pcs	Black	Stock item	88	110



Made using FSC® certified wood, supporting responsible environmental, social and economical management of the world's forests. Visit www.fsc.org

Material: Plywood frame, HR foam, polyester wadding, polished or powder-coated aluminium. Fabric or leather upholstery.

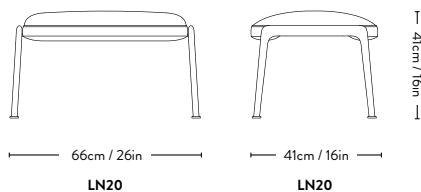
Fabric usage: 1.6 meters based on 140 cm roll

Leather usage: 3 square meters based on a yield of 60% pr hide.

COM must be approved by &Tradition to ensure suitability for upholstery.

Plastic gliders installed as standard.

Felt gliders available upon request.



Loafer SC106

Space Copenhagen 2025



Fabric gr.	Upholstery	Lead time	Weight	PRICE EX. VAT (SEK)	PRICE INC. VAT (SEK)
Fabric gr. 1	Grain, Hot Madison, Remix, Re-Wool	6-8 weeks	13.35 kg	11.336	14.170
Fabric gr. 2	Asator, Barnum, Canvas, Fiord	6-8 weeks	13.35 kg	12.652	15.815
Fabric gr. 3	Clay, Hallingdal, Mylla, Steelcut Quartet, Steelcut Trio	6-8 weeks	13.35 kg	13.724	17.155
Fabric gr. 4	Acca, Beda, Cifrado, Ecriture, Moss, Vidar	6-8 weeks	13.35 kg	15.516	19.395
Fabric gr. 5	Gentle, Karakorum, Sisu	6-8 weeks	13.35 kg	16.712	20.890
Fabric gr. 6	Fuse	6-8 weeks	13.35 kg	20.292	25.365
COM	Fabric	6-8 weeks	13.35 kg	11.336	14.170



Made using FSC® certified wood, supporting responsible environmental, social and economical management of the world's forests. Visit www.fsc.org

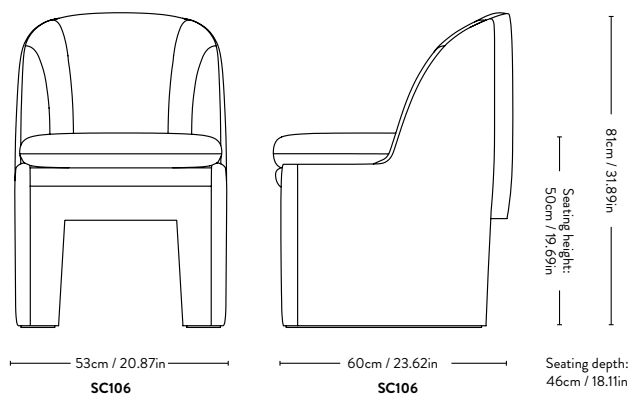
Material: Wood, HR foam, polyester wadding, fabric upholstery.

Fabric usage: 2.5 meters based on 140cm roll.

COM must be approved by &Tradition to ensure suitability for upholstery.

Loafer SC106 is not available in leather.

Plastic gliders installed as standard.
Felt gliders available upon request.



Loafer SC24

Space Copenhagen 2019



Fabric gr.	Upholstery	Lead time	Weight	PRICE EX. VAT (SEK)	PRICE INC. VAT (SEK)
Fabric gr. 1	Grain, Hot Madison, Remix, Re-Wool	6-8 weeks	15.50 kg	12.532	15.665
Fabric gr. 2	Asator, Barnum, Canvas, Fiord	6-8 weeks	15.50 kg	13.724	17.155
Fabric gr. 3	Clay, Hallingdal, Mylla, Steelcut Quartet, Steelcut Trio	6-8 weeks	15.50 kg	14.324	17.905
Fabric gr. 4	Acca, Beda, Cifrado, Ecriture, Moss, Vidar	6-8 weeks	15.50 kg	16.112	20.140
Fabric gr. 5	Gentle, Karakorum, Sisu	6-8 weeks	15.50 kg	19.696	24.620
Fabric gr. 6	Fuse	6-8 weeks	15.50 kg	21.488	26.860
COM	Fabric	6-8 weeks	15.50 kg	12.532	15.665



Made using FSC® certified wood, supporting responsible environmental, social and economical management of the world's forests. Visit www.fsc.org

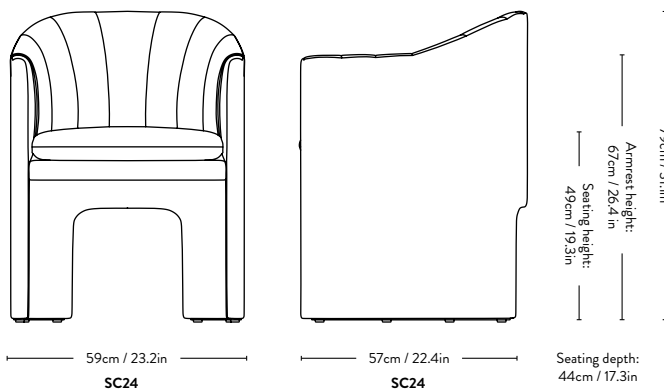
Material: Wood, HR foam, polyester wadding, fabric upholstery.

Fabric usage: 2.7 meters based on 140cm roll.

COM must be approved by &Tradition to ensure suitability for upholstery.

Loafer SC24 is not available in leather.

Plastic gliders installed as standard.
Felt gliders available upon request.



Loafer SC107

Space Copenhagen 2025



Fabric gr.	Upholstery	Lead time	Weight	PRICE EX. VAT (SEK)	PRICE INC. VAT (SEK)
Fabric gr. 1	Grain, Hot Madison, Remix, Re-Wool	6-8 weeks	15.20 kg	13.128	16.410
Fabric gr. 2	Asator, Barnum, Canvas, Fiord	6-8 weeks	15.20 kg	14.324	17.905
Fabric gr. 3	Clay, Hallingdal, Mylla, Steelcut Quartet, Steelcut Trio	6-8 weeks	15.20 kg	14.920	18.650
Fabric gr. 4	Acca, Beda, Cifrado, Ecriture, Moss, Vidar	6-8 weeks	15.20 kg	16.712	20.890
Fabric gr. 5	Gentle, Karakorum, Sisu	6-8 weeks	15.20 kg	17.904	22.380
Fabric gr. 6	Fuse	6-8 weeks	15.20 kg	21.488	26.860
COM	Fabric	6-8 weeks	15.20 kg	13.128	16.410



Made using FSC® certified wood, supporting responsible environmental, social and economical management of the world's forests. Visit www.fsc.org

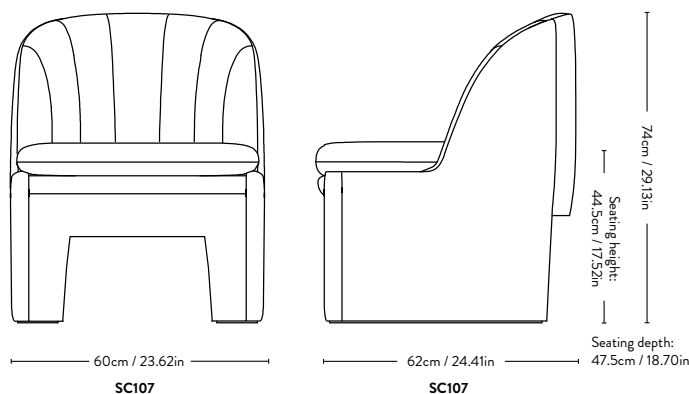
Material: Wood, HR foam, polyester wadding, fabric upholstery.

Fabric usage: 2.5 meters based on 140cm roll.

COM must be approved by &Tradition to ensure suitability for upholstery.

Loafer SC107 is not available in leather.

Plastic gliders installed as standard.
Felt gliders available upon request.



Loafer SC23

Space Copenhagen 2018



Fabric gr.	Upholstery	Lead time	Weight	PRICE EX. VAT (SEK)	PRICE INC. VAT (SEK)
Fabric gr. 1	Grain, Hot Madison, Remix, Re-Wool	6-8 weeks	26.00 kg	14.920	18.650
Fabric gr. 2	Asator, Barnum, Canvas, Fiord	6-8 weeks	26.00 kg	16.112	20.140
Fabric gr. 3	Clay, Hallingdal, Mylla, Steelcut Quartet, Steelcut Trio	6-8 weeks	26.00 kg	16.712	20.890
Fabric gr. 4	Acca, Beda, Cifrado, Ecriture, Moss, Vidar	6-8 weeks	26.00 kg	18.500	23.125
Fabric gr. 5	Gentle, Karakorum, Sisu	6-8 weeks	26.00 kg	22.084	27.605
Fabric gr. 6	Fuse	6-8 weeks	26.00 kg	24.472	30.590
Sheepskin MTO	Sheepskin 17mm	10-12 weeks	26.00 kg	36.412	45.515
COM	Fabric	6-8 weeks	26.00 kg	14.920	18.650



Made using FSC® certified wood, supporting responsible environmental, social and economical management of the world's forests. Visit www.fsc.org

Material: Wood, HR foam, polyester wadding, fabric upholstery.

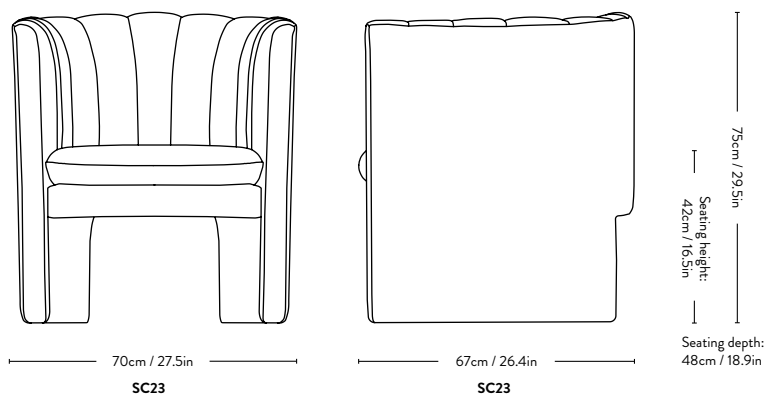
Fabric usage: 3.3 meters based on 140cm roll.

COM must be approved by &Tradition to ensure suitability for upholstery.

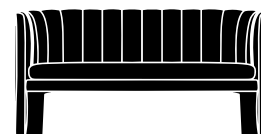
Loafer SC23 is not available in leather.

Plastic gliders installed as standard.
Felt gliders available upon request.

As with most natural materials, differences in structure, density and thickness are expected, as two pieces of sheepskin never look identical and tend to show natural variations in both curls and tones.



Loafer SC25

Space Copenhagen
2019

Fabric gr.	Upholstery	Lead time	Weight	PRICE EX. VAT (SEK)	PRICE INC. VAT (SEK)
Fabric gr. 1	Grain, Hot Madison, Remix, Re-Wool	6-8 weeks	36.00 kg	31.040	38.800
Fabric gr. 2	Asator, Barnum, Canvas, Fiord	6-8 weeks	36.00 kg	34.620	43.275
Fabric gr. 3	Clay, Hallingdal, Mylla, Steelcut Quartet, Steelcut Trio	6-8 weeks	36.00 kg	35.816	44.770
Fabric gr. 4	Acca, Beda, Cifrado, Ecriture, Moss, Vidar	6-8 weeks	36.00 kg	40.592	50.740
Fabric gr. 5	Gentle, Karakorum, Sisu	6-8 weeks	36.00 kg	42.980	53.725
Fabric gr. 6	Fuse	6-8 weeks	36.00 kg	47.160	58.950
COM	Fabric	6-8 weeks	36.00 kg	31.040	38.800



Made using FSC® certified wood, supporting responsible environmental, social and economical management of the world's forests. Visit www.fsc.org

Material: Wood, HR foam, polyester wadding, fabric upholstery.

Fabric usage: 5.8 meters based on 140cm roll.

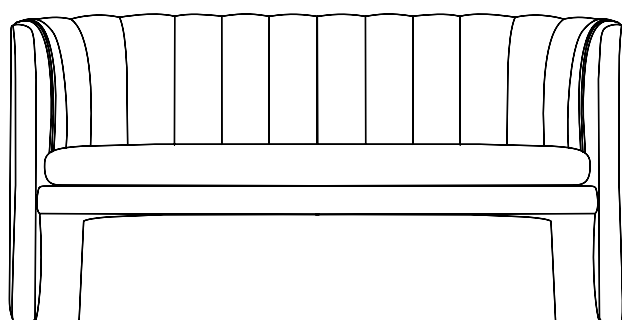
COM must be approved by &Tradition to ensure suitability for upholstery.

SC25 is not available in leather.

Plastic gliders installed as standard.
Felt gliders available upon request.

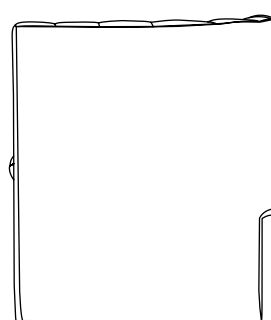
Customized sizes available upon request.

Extra height: 10% upcharge



150cm / 59.1in

SC25



65cm / 25.6in

SC25

75cm / 29.5in
Seating height:
42cm / 16.5in

Seating depth:
50cm / 19.7in

Loafer SC26

Space Copenhagen
2019

Fabric gr.	Upholstery	Lead time	Weight	PRICE EX. VAT (SEK)	PRICE INC. VAT (SEK)
Fabric gr. 1	Grain, Hot Madison, Remix, Re-Wool	6-8 weeks	45.00 kg	34.024	42.530
Fabric gr. 2	Asator, Barnum, Canvas, Fiord	6-8 weeks	45.00 kg	37.604	47.005
Fabric gr. 3	Clay, Hallingdal, Mylla, Steelcut Quartet, Steelcut Trio	6-8 weeks	45.00 kg	38.800	48.500
Fabric gr. 4	Acca, Beda, Cifrado, Ecriture, Moss, Vidar	6-8 weeks	45.00 kg	43.576	54.470
Fabric gr. 5	Gentle, Karakorum, Sisu	6-8 weeks	45.00 kg	45.964	57.455
Fabric gr. 6	Fuse	6-8 weeks	45.00 kg	50.740	63.425
COM	Fabric	6-8 weeks	45.00 kg	34.024	42.530



Made using FSC® certified wood, supporting responsible environmental, social and economical management of the world's forests. Visit www.fsc.org

Material: Wood, HR foam, polyester wadding, fabric upholstery.

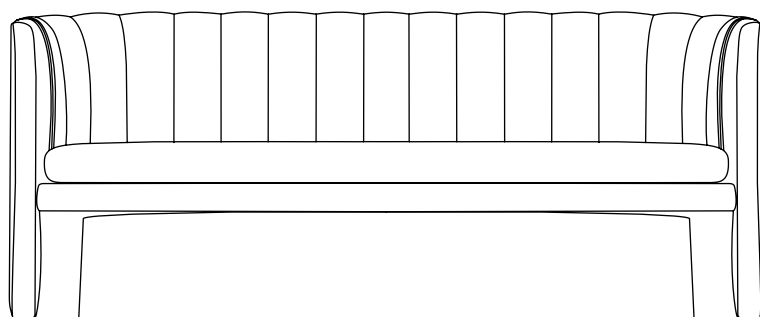
Fabric usage: 6.7 meters based on 140cm roll.

COM must be approved by &Tradition to ensure suitability for upholstery.

Loafer SC26 is not available in leather.

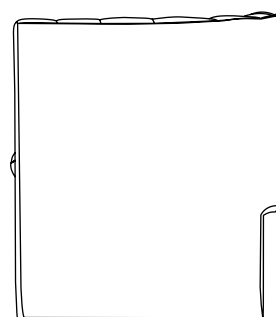
Plastic gliders installed as standard.
Felt gliders available upon request.

Extra height: 10% upcharge



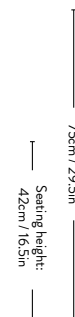
185cm / 72.8in

SC26



65cm / 25.6in

SC26



75cm / 29.5in

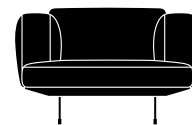
Seating height:
42cm / 16.5in

Seating depth:
50cm / 19.7in

Inland AV21

Anderssen & Voll

2023



Fabric gr.	Upholstery	Base	Lead time	Weight	PRICE EX. VAT (SEK)	PRICE INC. VAT (SEK)
Fabric gr. 1	Grain, Hot Madison, Remix, Re-Wool	Warm Black, Polished aluminium	6-8 weeks	48.00 kg	21.488	26.860
Fabric gr. 2	Asator, Barnum, Canvas, Fiord	Warm Black, Polished aluminium	6-8 weeks	48.00 kg	23.876	29.845
Fabric gr. 3	Clay, Hallingdal, Mylla, Steelcut Quartet, Steelcut Trio	Warm Black, Polished aluminium	6-8 weeks	48.00 kg	24.472	30.590
Fabric gr. 4	Acca, Beda, Cifrado, Ecriture, Moss, Vidar	Warm Black, Polished aluminium	6-8 weeks	48.00 kg	27.456	34.320
Fabric gr. 5	Gentle, Karakorum, Sisu	Warm Black, Polished aluminium	6-8 weeks	48.00 kg	35.816	44.770
Fabric gr. 6	Fuse, Tiger Mountain**	Warm Black, Polished aluminium	6-8 weeks	48.00 kg	39.396	49.245
Leather	Noble Aniline leather	Warm Black, Polished aluminium	6-8 weeks	48.00 kg	35.816	44.770
Leather	Elmosoft Semi-aniline leather	Warm Black, Polished aluminium	6-8 weeks	48.00 kg	38.204	47.755
COM	Fabric	Warm Black, Polished aluminium	6-8 weeks	48.00 kg	21.488	26.860



Made using FSC® certified wood, supporting responsible environmental, social and economical management of the world's forests. Visit www.fsc.org

Material: Wood, steel base, HR foam, polyester wadding, fabric or leather upholstery.

Fabric usage: 6.1 meters based on 140cm roll.

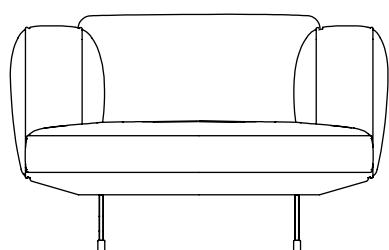
Leather usage: 11.9 square meters based on a yield of 60% pr hide.

COM must be approved by &Tradition to ensure suitability for upholstery.

Felt gliders installed as standard.

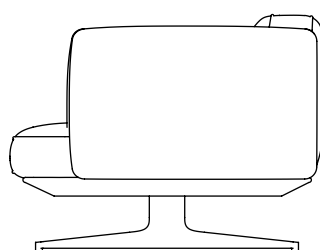
Spare parts available. Please refer to the 'Spare Parts' section.

Armrest width:
22cm / 8.7in



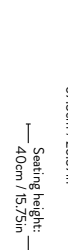
92.7cm / 36.5 in

AV21



96cm / 37.79in

AV21



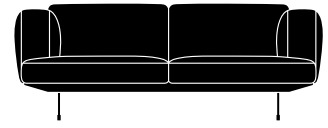
67.5cm / 26.57in
Seating height:
40cm / 15.75in

Seating depth:
63cm / 24.80in

Inland AV22

Anderssen & Voll

2022



Product no.	Upholstery	Base	Lead time	Weight	PRICE EX. VAT (SEK)	PRICE INC. VAT (SEK)
134452A235A030A502	Noble Aniline leather Cognac	Warm Black	Stock item	78.00 kg	47.756	59.695
134453A235A030A502	Noble Aniline leather Cognac	Polished Aluminium	Stock item	78.00 kg	47.756	59.695

Fabric gr.	Upholstery	Base	Lead time	Weight	PRICE EX. VAT (SEK)	PRICE INC. VAT (SEK)
Fabric gr. 1	Grain, Hot Madison, Remix, Re-Wool	Warm Black, Polished aluminium	6-8 weeks	78.00 kg	21.488	26.860
Fabric gr. 2	Asator, Barnum, Canvas, Fiord	Warm Black, Polished aluminium	6-8 weeks	78.00 kg	23.876	29.845
Fabric gr. 3	Clay, Hallingdal, Mylla, Steelcut Quartet, Steelcut Trio	Warm Black, Polished aluminium	6-8 weeks	78.00 kg	24.472	30.590
Fabric gr. 4	Acca, Beda, Cifrado, Ecriture, Moss, Vidar	Warm Black, Polished aluminium	6-8 weeks	78.00 kg	27.456	34.320
Fabric gr. 5	Gentle, Karakorum, Sisu	Warm Black, Polished aluminium	6-8 weeks	78.00 kg	35.816	44.770
Fabric gr. 6	Fuse, Tiger Mountain**	Warm Black, Polished aluminium	6-8 weeks	78.00 kg	39.396	49.245
Leather	Noble Aniline leather	Warm Black, Polished aluminium	6-8 weeks	78.00 kg	35.816	44.770
Leather	Elmosoft Semi-aniline leather	Warm Black, Polished aluminium	6-8 weeks	78.00 kg	38.204	47.755
COM	Fabric	Warm Black, Polished aluminium	6-8 weeks	78.00 kg	21.488	26.860



Made using FSC® certified wood, supporting responsible environmental, social and economical management of the world's forests. Visit www.fsc.org

Material: Wood, steel base, HR foam, polyester wadding, fabric or leather upholstery.

Fabric usage: 7.9 meters based on 140cm roll.

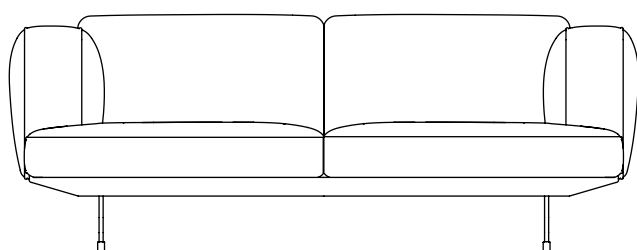
Leather usage: 19.8 square meters based on a yield of 60% pr hide.

COM must be approved by &Tradition to ensure suitability for upholstery.

Felt gliders installed as standard.

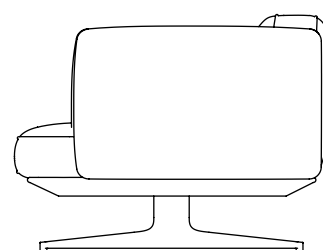
Spare parts available. Please refer to the 'Spare Parts' section.

Armrest width:
22cm / 8.7in



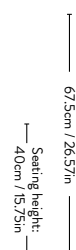
179cm / 70.47in

AV22



95.5cm / 37.60in

AV22



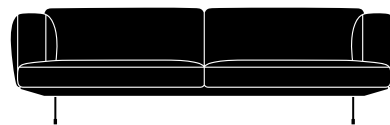
67.5cm / 26.57in
Seating height:
40cm / 15.75in

Seating depth:
63cm / 24.80in

Inland AV23

Anderssen & Voll

2022



Product no.	Upholstery	Base	Lead time	Weight	PRICE EX. VAT (SEK)	PRICE INC. VAT (SEK)
134454A235A030A502	Noble Aniline leather Cognac	Warm Black	Stock item	92.00 kg	53.724	67.155
134455A235A030A502	Noble Aniline leather Cognac	Polished Aluminium	Stock item	92.00 kg	53.724	67.155

Fabric gr.	Upholstery	Base	Lead time	Weight	PRICE EX. VAT (SEK)	PRICE INC. VAT (SEK)
Fabric gr. 1	Grain, Hot Madison, Remix, Re-Wool	Warm Black, Polished aluminium	6-8 weeks	92.00 kg	35.816	44.770
Fabric gr. 2	Asator, Barnum, Canvas, Fiord	Warm Black, Polished aluminium	6-8 weeks	92.00 kg	38.204	47.755
Fabric gr. 3	Clay, Hallingdal, Mylla, Steelcut Quartet, Steelcut Trio	Warm Black, Polished aluminium	6-8 weeks	92.00 kg	39.396	49.245
Fabric gr. 4	Acca, Beda, Cifrado, Ecriture, Moss, Vidar	Warm Black, Polished aluminium	6-8 weeks	92.00 kg	41.784	52.230
Fabric gr. 5	Gentle, Karakorum, Sisu	Warm Black, Polished aluminium	6-8 weeks	92.00 kg	53.724	67.155
Fabric gr. 6	Fuse, Tiger Mountain**	Warm Black, Polished aluminium	6-8 weeks	92.00 kg	59.696	74.620
Leather	Noble Aniline leather	Warm Black, Polished aluminium	6-8 weeks	92.00 kg	53.724	67.155
Leather	Elmosoft Semi-aniline leather	Warm Black, Polished aluminium	6-8 weeks	92.00 kg	59.696	74.620
COM	Fabric	Warm Black, Polished aluminium	6-8 weeks	92.00 kg	35.816	44.770



Made using FSC® certified wood, supporting responsible environmental, social and economical management of the world's forests. Visit www.fsc.org

Material: Wood, steel base, HR foam, polyester wadding, fabric or leather upholstery.

Fabric usage: 9.8 meters based on 140cm roll.

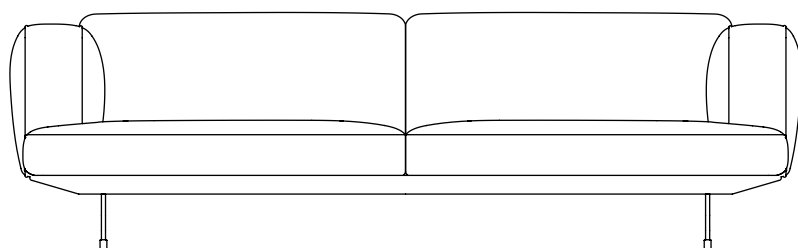
Leather usage: 25.3 square meters based on a yield of 60% pr hide.

COM must be approved by &Tradition to ensure suitability for upholstery.

Felt gliders installed as standard.

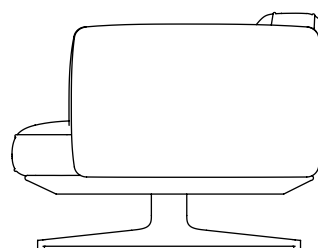
Spare parts available. Please refer to the 'Spare Parts' section.

Armrest width:
22cm / 8.7in



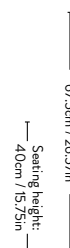
228cm / 89.76in

AV23



95.5cm / 37.60in

AV23



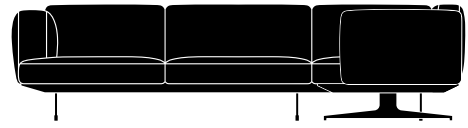
67.5cm / 26.57in
Seating height:
40cm / 15.75in

Seating depth:
63cm / 24.80in

Inland AV41

Anderssen & Voll

2024



Fabric gr.	Upholstery	Base	Lead time	Weight	PRICE EX. VAT (SEK)	PRICE INC. VAT (SEK)
Fabric gr. 1	Grain, Hot Madison, Remix, Re-Wool	Warm Black, Polished aluminium	6-8 weeks	158.00 kg	65.664	82.080
Fabric gr. 2	Asator, Barnum, Canvas, Fiord	Warm Black, Polished aluminium	6-8 weeks	158.00 kg	72.828	91.035
Fabric gr. 3	Clay, Hallingdal, Mylla, Steelcut Quartet, Steelcut Trio	Warm Black, Polished aluminium	6-8 weeks	158.00 kg	78.800	98.500
Fabric gr. 4	Acca, Beda, Cifrado, Ecriture, Moss, Vidar	Warm Black, Polished aluminium	6-8 weeks	158.00 kg	99.100	123.875
Fabric gr. 5	Gentle, Karakorum, Sisu	Warm Black, Polished aluminium	6-8 weeks	158.00 kg	105.068	131.335
Fabric gr. 6	Fuse, Tiger Mountain**	Warm Black, Polished aluminium	6-8 weeks	158.00 kg	134.920	168.650
Leather	Noble Aniline leather	Warm Black, Polished aluminium	6-8 weeks	158.00 kg	131.336	164.170
Leather	Elmosoft Semi-aniline leather	Warm Black, Polished aluminium	6-8 weeks	158.00 kg	143.276	179.095
COM	Fabric	Warm Black, Polished aluminium	6-8 weeks	158.00 kg	65.664	82.080



Made using FSC® certified wood, supporting responsible environmental, social and economical management of the world's forests. Visit www.fsc.org

Material: Wood, steel base, HR foam, polyester wadding, fabric or leather upholstery.

Fabric usage: 21.5 meters based on 140cm roll.

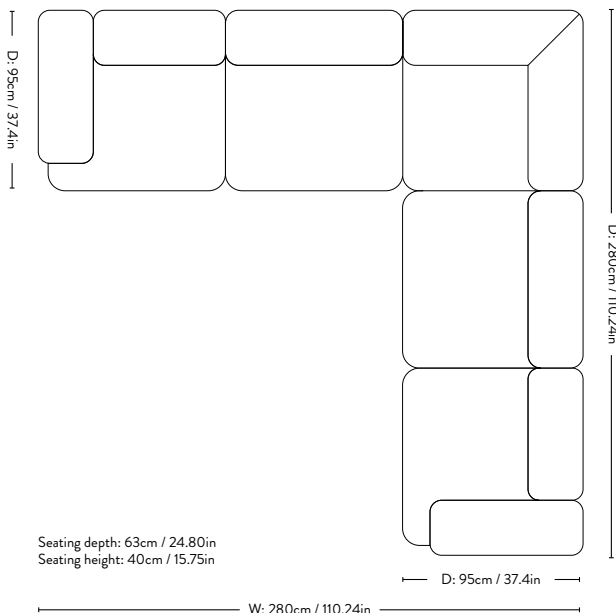
Leather usage: 51 square meters based on a yield of 60% pr hide.

COM must be approved by &Tradition to ensure suitability for upholstery.

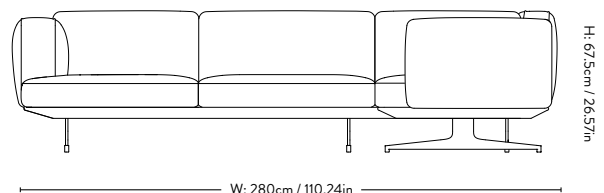
Felt gliders installed as standard.
Plastic gliders available upon request.

Note that the sofa is delivered in 3 boxes

Spare parts available. Please refer to the 'Spare Parts' section.



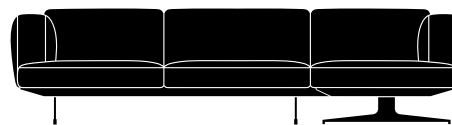
Armrest width:
22cm / 8.7in



Inland AV42

Anderssen & Voll

2024



Fabric gr.	Upholstery	Base	Lead time	Weight	PRICE EX. VAT (SEK)	PRICE INC. VAT (SEK)
Fabric gr. 1	Grain, Hot Madison, Remix, Re-Wool	Warm Black, Polished aluminium	6-8 weeks	112.00 kg	53.724	67.155
Fabric gr. 2	Asator, Barnum, Canvas, Fiord	Warm Black, Polished aluminium	6-8 weeks	112.00 kg	59.696	74.620
Fabric gr. 3	Clay, Hallingdal, Mylla, Steelcut Quartet, Steelcut Trio	Warm Black, Polished aluminium	6-8 weeks	112.00 kg	65.664	82.080
Fabric gr. 4	Acca, Beda, Cifrado, Ecriture, Moss, Vidar	Warm Black, Polished aluminium	6-8 weeks	112.00 kg	75.216	94.020
Fabric gr. 5	Gentle, Karakorum, Sisu	Warm Black, Polished aluminium	6-8 weeks	112.00 kg	81.188	101.485
Fabric gr. 6	Fuse, Tiger Mountain**	Warm Black, Polished aluminium	6-8 weeks	112.00 kg	99.100	123.875
Leather	Noble Aniline leather	Warm Black, Polished aluminium	6-8 weeks	112.00 kg	95.516	119.395
Leather	Elmosoft Semi-aniline leather	Warm Black, Polished aluminium	6-8 weeks	112.00 kg	107.456	134.320
COM	Fabric	Warm Black, Polished aluminium	6-8 weeks	112.00 kg	53.724	67.155



Made using FSC® certified wood, supporting responsible environmental, social and economical management of the world's forests. Visit www.fsc.org

Material: Wood, steel base, HR foam, polyester wadding, fabric or leather upholstery.

Fabric usage: 14.9 meters based on 140cm roll.

Leather usage: 37 square meters based on a yield of 60% pr hide.

COM must be approved by &Tradition to ensure suitability for upholstery.

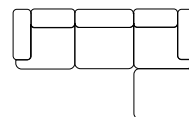
Felt gliders installed as standard.
Plastic gliders available upon request.

Note that the sofa is delivered in 2 boxes

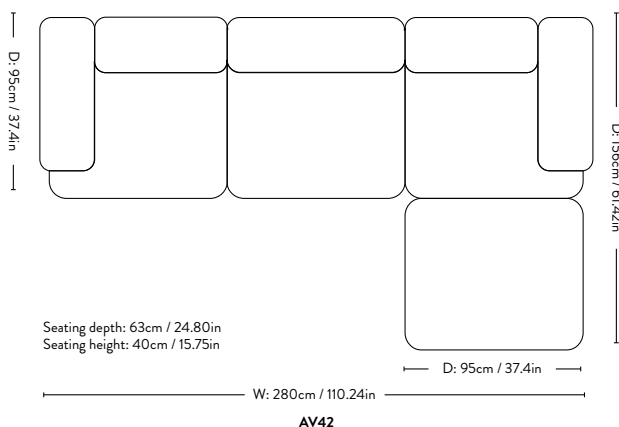
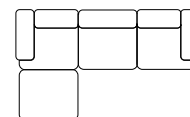
Please specify the orientation of the chaise longue with the order (Right-facing, Left-facing).

Spare parts available. Please refer to the 'Spare Parts' section.

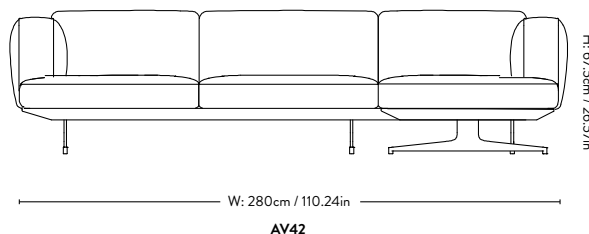
Right facing



Left facing



Armrest width:
22cm / 8.7in



Inland AV32

Anderssen & Voll

2023



Fabric gr.	Upholstery	Base	Lead time	Weight	PRICE EX. VAT (SEK)	PRICE INC. VAT (SEK)
Fabric gr. 1	Grain, Hot Madison, Remix, Re-Wool	Warm Black, Polished aluminium	6-8 weeks	29.00 kg	11.936	14.920
Fabric gr. 2	Asator, Barnum, Canvas, Fiord	Warm Black, Polished aluminium	6-8 weeks	29.00 kg	14.324	17.905
Fabric gr. 3	Clay, Hallingdal, Mylla, Steelcut Quartet, Steelcut Trio	Warm Black, Polished aluminium	6-8 weeks	29.00 kg	14.920	18.650
Fabric gr. 4	Acca, Beda, Cifrado, Ecriture, Moss, Vidar	Warm Black, Polished aluminium	6-8 weeks	29.00 kg	17.904	22.380
Fabric gr. 5	Gentle, Karakorum, Sisu	Warm Black, Polished aluminium	6-8 weeks	29.00 kg	21.488	26.860
Fabric gr. 6	Fuse, Tiger Mountain**	Warm Black, Polished aluminium	6-8 weeks	29.00 kg	23.876	29.845
Leather	Noble Aniline leather	Warm Black, Polished aluminium	6-8 weeks	29.00 kg	20.292	25.365
Leather	Elmosoft Semi-aniline leather	Warm Black, Polished aluminium	6-8 weeks	29.00 kg	22.680	28.350
COM	Fabric	Warm Black, Polished aluminium	6-8 weeks	29.00 kg	11.936	14.920



Made using FSC® certified wood, supporting responsible environmental, social and economical management of the world's forests. Visit www.fsc.org

Material: Wood, steel base, HR foam, polyester wadding, fabric or leather upholstery.

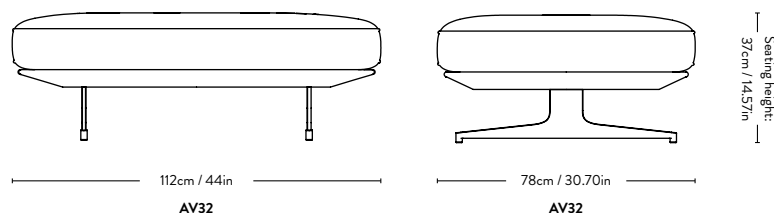
Fabric usage: 3.6 meters based on 140cm roll.

Leather usage: 4.8 square meters based on a yield of 60% pr hide.

COM must be approved by &Tradition to ensure suitability for upholstery.

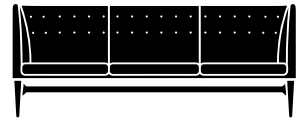
Felt gliders installed as standard.
Plastic gliders available upon request.

Spare parts available. Please refer to the 'Spare Parts' section.



Mayor ^{AJ5}

Arne Jacobsen & Flemming Lassen 1939



Fabric gr.	Upholstery	Base	Lead time	Weight	PRICE EX. VAT (SEK)	PRICE INC. VAT (SEK)
Fabric gr. 1	Grain, Hot Madison, Remix, Re-Wool	Oak	6-8 weeks	45.00 kg	44.172	55.215
		Walnut	6-8 weeks	45.00 kg	50.144	62.680
Fabric gr. 2	Asator, Barnum, Canvas, Fiord	Oak	6-8 weeks	45.00 kg	47.756	59.695
		Walnut	6-8 weeks	45.00 kg	53.724	67.155
Fabric gr. 3	Clay, Hallingdal, Mylla, Steelcut Quartet, Steelcut Trio	Oak	6-8 weeks	45.00 kg	48.948	61.185
		Walnut	6-8 weeks	45.00 kg	54.920	68.650
Fabric gr. 4	Acca, Beda, Cifrado, Ecriture, Moss, Vidar	Oak	6-8 weeks	45.00 kg	51.336	64.170
		Walnut	6-8 weeks	45.00 kg	57.308	71.635
Fabric gr. 5	Gentle, Karakorum, Sisu	Oak	6-8 weeks	45.00 kg	59.696	74.620
		Walnut	6-8 weeks	45.00 kg	65.664	82.080
Fabric gr. 6	Fuse	Oak	6-8 weeks	45.00 kg	65.664	82.080
		Walnut	6-8 weeks	45.00 kg	72.232	90.290
Leather	Noble Aniline leather	Oak	6-8 weeks	45.00 kg	71.636	89.545
		Walnut	6-8 weeks	45.00 kg	77.604	97.005
Leather	Elmosoft Semi-aniline leather	Oak	6-8 weeks	45.00 kg	85.964	107.455
		Walnut	6-8 weeks	45.00 kg	91.936	114.920
Sheepskin	Sheepskin 17mm (Moonlight & Sahara)	Oak	6-8 weeks	45.00 kg	85.964	107.455
		Walnut	6-8 weeks	45.00 kg	91.936	114.920
COM	Fabric	Oak	6-8 weeks	45.00 kg	44.172	55.215
		Walnut	6-8 weeks	45.00 kg	50.144	62.680

Add on	Lead time	Weight	PRICE EX. VAT (SEK)	PRICE INC. VAT (SEK)
Mayor high legs - Providing a seating height of 47cm. (must be specified with the order)	9-10 weeks	0.10 kg	2.980	3.725
Piping & buttons in Noble Aniline leather. (must be specified with the order)	6-8 weeks		6.560	8.200



Made using FSC® certified wood, supporting responsible environmental, social and economical management of the world's forests. Visit www.fsc.org

As with most natural materials, differences in structure, density and thickness are expected, as two pieces of sheepskin never look identical and tend to show natural variations in both curls and tones.

Base Variant

Solid Oak	Oiled Oak, Smoked Oiled Oak, Black Water Based Lacquered Oak
Solid Walnut	Oiled Walnut

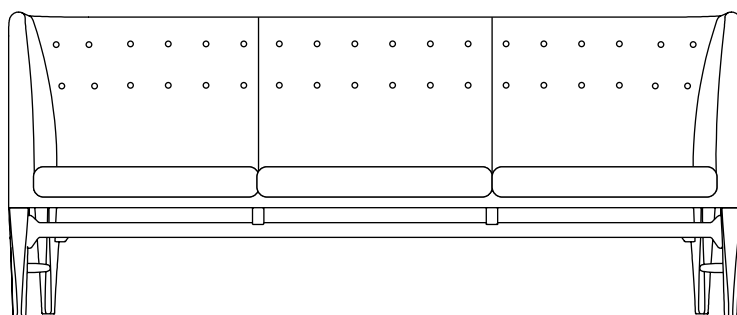
Material: Solid oak or walnut base, solid beech frame, elastic belts and HR foam. Fabric or leather upholstery.

Fabric usage: 6.5 meters based on 140cm roll.

Leather usage: 12 square meters based on a yield of 60% pr hide.

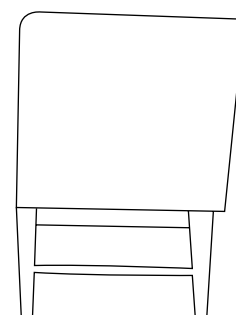
COM must be approved by &Tradition to ensure suitability for upholstery.

Felt gliders installed as standard.



200cm / 78.7in

AJ5



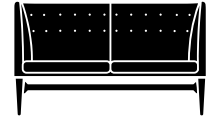
62cm / 24.4in

AJ5

82cm / 32.3in
Seating height:
43cm / 16.9in
Seating depth:
50cm / 19.7in

Mayor ^{AJ6}

Arne Jacobsen & Flemming Lassen 1939



Fabric gr.	Upholstery	Base	Lead time	Weight	PRICE EX. VAT (SEK)	PRICE INC. VAT (SEK)
Fabric gr. 1	Grain, Hot Madison, Remix, Re-Wool	Oak	6-8 weeks	38.00 kg	39.396	49.245
		Walnut	6-8 weeks	38.00 kg	44.172	55.215
Fabric gr. 2	Asator, Barnum, Canvas, Fiord	Oak	6-8 weeks	38.00 kg	42.980	53.725
		Walnut	6-8 weeks	38.00 kg	47.756	59.695
Fabric gr. 3	Clay, Hallingdal, Mylla, Steelcut Quartet, Steelcut Trio	Oak	6-8 weeks	38.00 kg	44.172	55.215
		Walnut	6-8 weeks	38.00 kg	48.948	61.185
Fabric gr. 4	Acca, Beda, Cifrado, Ecriture, Moss, Vidar	Oak	6-8 weeks	38.00 kg	46.560	58.200
		Walnut	6-8 weeks	38.00 kg	51.336	64.170
Fabric gr. 5	Gentle, Karakorum, Sisu	Oak	6-8 weeks	38.00 kg	52.532	65.665
		Walnut	6-8 weeks	38.00 kg	57.308	71.635
Fabric gr. 6	Fuse	Oak	6-8 weeks	38.00 kg	57.904	72.380
		Walnut	6-8 weeks	38.00 kg	63.276	79.095
Leather	Noble Aniline leather	Oak	6-8 weeks	38.00 kg	60.888	76.110
		Walnut	6-8 weeks	38.00 kg	65.664	82.080
Leather	Elmosoft Semi-aniline leather	Oak	6-8 weeks	38.00 kg	74.024	92.530
		Walnut	6-8 weeks	38.00 kg	78.800	98.500
Sheepskin	Sheepskin 17mm (Moonlight & Sahara)	Oak	6-8 weeks	38.00 kg	74.024	92.530
		Walnut	6-8 weeks	38.00 kg	78.800	98.500
COM	Fabric	Oak	6-8 weeks	38.00 kg	39.396	49.245
		Walnut	6-8 weeks	38.00 kg	44.172	55.215

Add on	Lead time	Weight	PRICE EX. VAT (SEK)	PRICE INC. VAT (SEK)
Mayor high legs - Providing a seating height of 47cm. (must be specified with the order)	9-10 weeks	0.10 kg	2.980	3.725
Piping & buttons in Noble Aniline leather. (must be specified with the order)	6-8 weeks		6.560	8.200



Made using FSC® certified wood, supporting responsible environmental, social and economical management of the world's forests. Visit www.fsc.org

As with most natural materials, differences in structure, density and thickness are expected, as two pieces of sheepskin never look identical and tend to show natural variations in both curls and tones.

Base Variant

Solid Oak	Oiled Oak, Smoked Oiled Oak, Black Water Based Lacquered Oak
Solid Walnut	Oiled Walnut

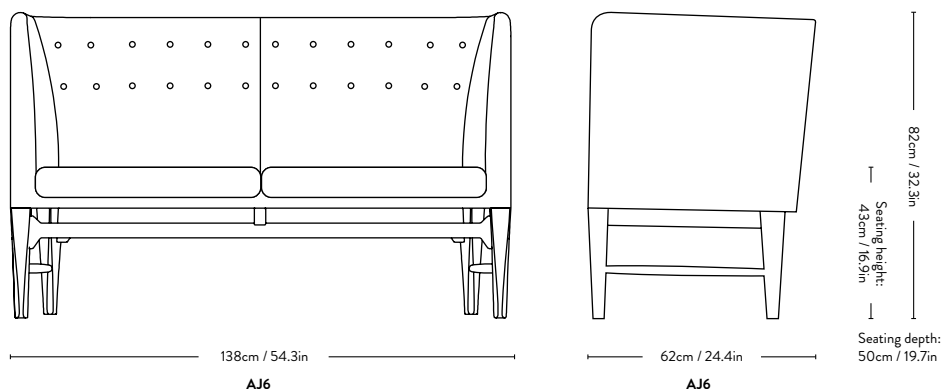
Material: Solid oak or walnut base, solid beech frame, elastic belts and HR foam. Fabric or leather upholstery.

Fabric usage: 5 meters based on 140cm roll.

Leather usage: 10 square meters based on a yield of 60% pr hide.

COM must be approved by &Tradition to ensure suitability for upholstery.

Felt gliders installed as standard.



Cloud LN1

Luca Nichetto

2015



Fabric gr.	Upholstery	Base	Lead time	Weight	PRICE EX. VAT (SEK)	PRICE INC. VAT (SEK)
Fabric gr. 1	Grain, Hot Madison, Remix, Re-Wool	Warm Black or Chrome	6-8 weeks	40.00 kg	25.068	31.335
Fabric gr. 2	Asator, Barnum, Canvas, Fiord	Warm Black or Chrome	6-8 weeks	40.00 kg	28.652	35.815
Fabric gr. 3	Clay, Hallingdal, Mylla, Steelcut Quartet, Steelcut Trio	Warm Black or Chrome	6-8 weeks	40.00 kg	29.248	36.560
Fabric gr. 4	Acca, Beda, Cifrado, Ecriture, Moss, Vidar	Warm Black or Chrome	6-8 weeks	40.00 kg	31.040	38.800
Fabric gr. 5	Gentle, Karakorum, Sisu	Warm Black or Chrome	6-8 weeks	40.00 kg	38.204	47.755
Fabric gr. 6	Fuse, Tiger Mountain**	Warm Black or Chrome	6-8 weeks	40.00 kg	41.784	52.230
Leather	Noble Aniline leather	Warm Black or Chrome	6-8 weeks	40.00 kg	46.560	58.200
Leather	Elmosoft Semi-aniline leather	Warm Black or Chrome	6-8 weeks	40.00 kg	56.112	70.140
COM	Fabric	Warm Black or Chrome	6-8 weeks	40.00 kg	25.068	31.335

** Please be aware that the placement of the pattern may vary from piece to piece due to optimal usage of fabric when cutting. Patterns may not align at seams or edges



Made using FSC® certified wood, supporting responsible environmental, social and economical management of the world's forests. Visit www.fsc.org

Legs Variant

Solid	Powder Coated Warm Black
Steel tube	Chrome

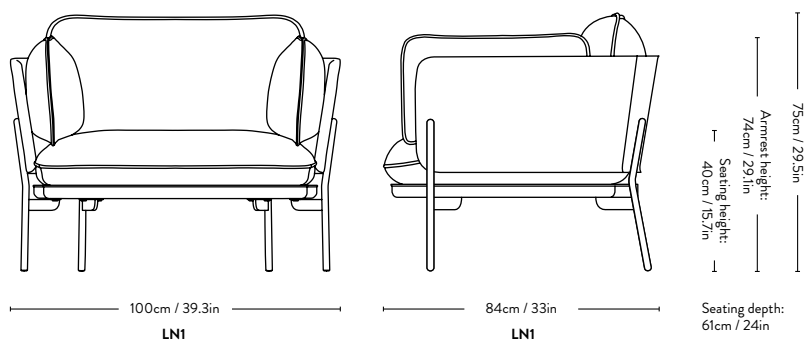
Material: Plywood, solid wood and steel base with no-zag springs. HR foam, polyester fibers and feather pillows. Solid steel legs. Fabric or leather upholstery.

Fabric usage: 6 meters based on 140cm roll.

Leather usage: 14 square meters based on a yield of 60% pr hide.

COM must be approved by &Tradition to ensure suitability for upholstery.

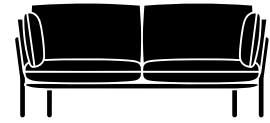
Felt gliders installed as standard.



Cloud LN2

Luca Nichetto

2015



Fabric gr.	Upholstery	Base	Lead time	Weight	PRICE EX. VAT (SEK)	PRICE INC. VAT (SEK)
Fabric gr. 1	Grain, Hot Madison, Remix, Re-Wool	Warm Black or Chrome	6-8 weeks	57.00 kg	33.428	41.785
Fabric gr. 2	Asator, Barnum, Canvas, Fiord	Warm Black or Chrome	6-8 weeks	57.00 kg	38.204	47.755
Fabric gr. 3	Clay, Hallingdal, Mylla, Steelcut Quartet, Steelcut Trio	Warm Black or Chrome	6-8 weeks	57.00 kg	39.396	49.245
Fabric gr. 4	Acca, Beda, Cifrado, Ecriture, Moss, Vidar	Warm Black or Chrome	6-8 weeks	57.00 kg	40.592	50.740
Fabric gr. 5	Gentle, Karakorum, Sisu	Warm Black or Chrome	6-8 weeks	57.00 kg	54.324	67.905
Fabric gr. 6	Fuse, Tiger Mountain**	Warm Black or Chrome	6-8 weeks	57.00 kg	59.696	74.620
Leather	Noble Aniline leather	Warm Black or Chrome	6-8 weeks	57.00 kg	62.680	78.350
Leather	Elmosoft Semi-aniline leather	Warm Black or Chrome	6-8 weeks	57.00 kg	75.216	94.020
COM	Fabric	Warm Black or Chrome	6-8 weeks	57.00 kg	33.428	41.785

** Please be aware that the placement of the pattern may vary from piece to piece due to optimal usage of fabric when cutting. Patterns may not align at seams or edges

Legs	Variant
Solid	Powder Coated Warm Black
Steel tube	Chrome

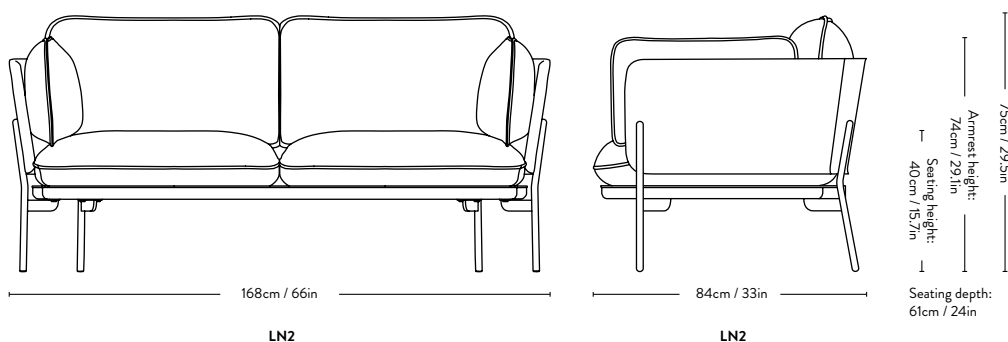
Material: Plywood, solid wood and steel base with no-zag springs. HR foam, polyester fibers and feather pillows. Solid steel legs. Fabric or leather upholstery.

Fabric usage: 8 meters based on 140cm roll.

Leather usage: 19 square meters based on a yield of 60% pr hide.

COM must be approved by &Tradition to ensure suitability for upholstery.

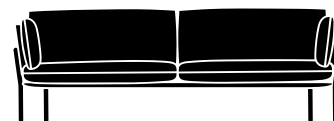
Felt gliders installed as standard.



Cloud LN3.2

Luca Nichetto

2015



Fabric gr.	Upholstery	Base	Lead time	Weight	PRICE EX. VAT (SEK)	PRICE INC. VAT (SEK)
Fabric gr. 1	Grain, Hot Madison, Remix, Re-Wool	Warm Black or Chrome	6-8 weeks	69.00 kg	39.996	49.995
Fabric gr. 2	Asator, Barnum, Canvas, Fiord	Warm Black or Chrome	6-8 weeks	69.00 kg	45.368	56.710
Fabric gr. 3	Clay, Hallingdal, Mylla, Steelcut Quartet, Steelcut Trio	Warm Black or Chrome	6-8 weeks	69.00 kg	46.560	58.200
Fabric gr. 4	Acca, Beda, Cifrado, Ecriture, Moss, Vidar	Warm Black or Chrome	6-8 weeks	69.00 kg	49.548	61.935
Fabric gr. 5	Gentle, Karakorum, Sisu	Warm Black or Chrome	6-8 weeks	69.00 kg	65.664	82.080
Fabric gr. 6	Fuse, Tiger Mountain**	Warm Black or Chrome	6-8 weeks	69.00 kg	72.232	90.290
Leather	Noble Aniline leather	Warm Black or Chrome	6-8 weeks	69.00 kg	69.248	86.560
Leather	Elmosoft Semi-aniline leather	Warm Black or Chrome	6-8 weeks	69.00 kg	83.576	104.470
COM	Fabric	Warm Black or Chrome	6-8 weeks	69.00 kg	39.996	49.995

** Please be aware that the placement of the pattern may vary from piece to piece due to optimal usage of fabric when cutting. Patterns may not align at seams or edges

Legs Variant

Solid	Powder Coated Warm Black
Steel tube	Chrome

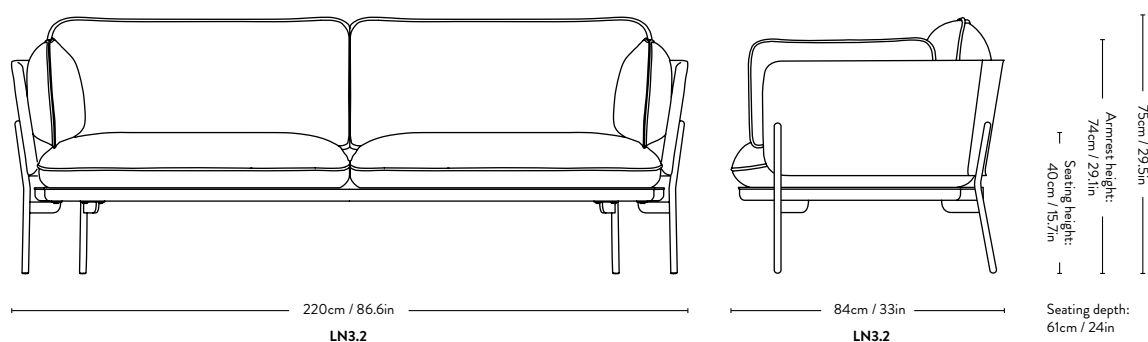
Material: Plywood, solid wood and steel base with no-zag springs. HR foam, polyester fibers and feather pillows. Solid steel legs. Fabric or leather upholstery.

Fabric usage: 11 meters based on 140cm roll.

Leather usage: 21 square meters based on a yield of 60% pr hide.

COM must be approved by &Tradition to ensure suitability for upholstery.

Felt gliders installed as standard.



Cloud LN5

Luca Nichetto

2018



Fabric gr.	Upholstery	Base	Lead time	Weight	PRICE EX. VAT (SEK)	PRICE INC. VAT (SEK)
Fabric gr. 1	Grain, Hot Madison, Remix, Re-Wool	Warm Black or Chrome	6-8 weeks	50.00 kg	33.428	41.785
Fabric gr. 2	Asator, Barnum, Canvas, Fiord	Warm Black or Chrome	6-8 weeks	50.00 kg	39.396	49.245
Fabric gr. 3	Clay, Hallingdal, Mylla, Steelcut Quartet, Steelcut Trio	Warm Black or Chrome	6-8 weeks	50.00 kg	39.996	49.995
Fabric gr. 4	Acca, Beda, Cifrado, Ecriture, Moss, Vidar	Warm Black or Chrome	6-8 weeks	50.00 kg	44.172	55.215
Fabric gr. 5	Gentle, Karakorum, Sisu	Warm Black or Chrome	6-8 weeks	50.00 kg	65.664	82.080
Fabric gr. 6	Fuse, Tiger Mountain**	Warm Black or Chrome	6-8 weeks	50.00 kg	71.636	89.545
Leather	Noble Aniline leather	Warm Black or Chrome	6-8 weeks	50.00 kg	54.920	68.650
COM	Fabric	Warm Black or Chrome	6-8 weeks	50.00 kg	33.428	41.785

Product no.	Add on	Cord lenght	Lead time	Weight	PRICE EX. VAT (SEK)	PRICE INC. VAT (SEK)
133346	Power outlet incl bracket (DK plug).(must be specified with the order)	30 cm	6-8 weeks		2.980	3.725

** Please be aware that the placement of the pattern may vary from piece to piece due to optimal usage of fabric when cutting. Patterns may not align at seams or edges



Made using FSC® certified wood, supporting responsible environmental, social and economical management of the world's forests. Visit www.fsc.org

Legs Variant

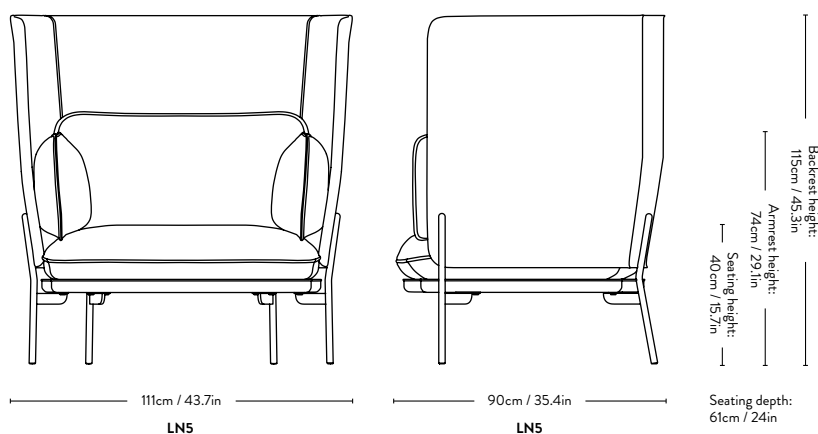
Legs	Variant
Solid	Powder Coated Warm Black
Steel tube	Chrome

Material: Plywood, solid wood and steel base with no-zag springs. HR foam, polyester fibers and feather pillows. Solid steel legs. Fabric or leather upholstery.

Fabric usage: 12 meters based on 140cm roll.

COM must be approved by &Tradition to ensure suitability for upholstery.

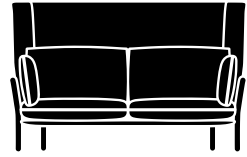
Felt gliders installed as standard.



Cloud LN6

Luca Nichetto

2017



Fabric gr.	Upholstery	Base	Lead time	Weight	PRICE EX. VAT (SEK)	PRICE INC. VAT (SEK)
Fabric gr. 1	Grain, Hot Madison, Remix, Re-Wool	Warm Black or Chrome	6-8 weeks	71.00 kg	42.980	53.725
Fabric gr. 2	Asator, Barnum, Canvas, Fiord	Warm Black or Chrome	6-8 weeks	71.00 kg	48.948	61.185
Fabric gr. 3	Clay, Hallingdal, Mylla, Steelcut Quartet, Steelcut Trio	Warm Black or Chrome	6-8 weeks	71.00 kg	50.144	62.680
Fabric gr. 4	Acca, Beda, Cifrado, Ecriture, Moss, Vidar	Warm Black or Chrome	6-8 weeks	71.00 kg	54.920	68.650
Fabric gr. 5	Gentle, Karakorum, Sisu	Warm Black or Chrome	6-8 weeks	71.00 kg	78.800	98.500
Fabric gr. 6	Fuse, Tiger Mountain**	Warm Black or Chrome	6-8 weeks	71.00 kg	86.560	108.200
Leather	Noble Aniline leather	Warm Black or Chrome	6-8 weeks	71.00 kg	68.052	85.065
COM	Fabric	Warm Black or Chrome	6-8 weeks	71.00 kg	42.980	53.725

Product no.	Add on	Cord lenght	Lead time	Weight	PRICE EX. VAT (SEK)	PRICE INC. VAT (SEK)
133346	Power outlet incl bracket (DK plug).(must be specified with the order)	30 cm	6-8 weeks		2.980	3.725

** Please be aware that the placement of the pattern may vary from piece to piece due to optimal usage of fabric when cutting. Patterns may not align at seams or edges



Made using FSC® certified wood, supporting responsible environmental, social and economical management of the world's forests. Visit www.fsc.org

Legs Variant

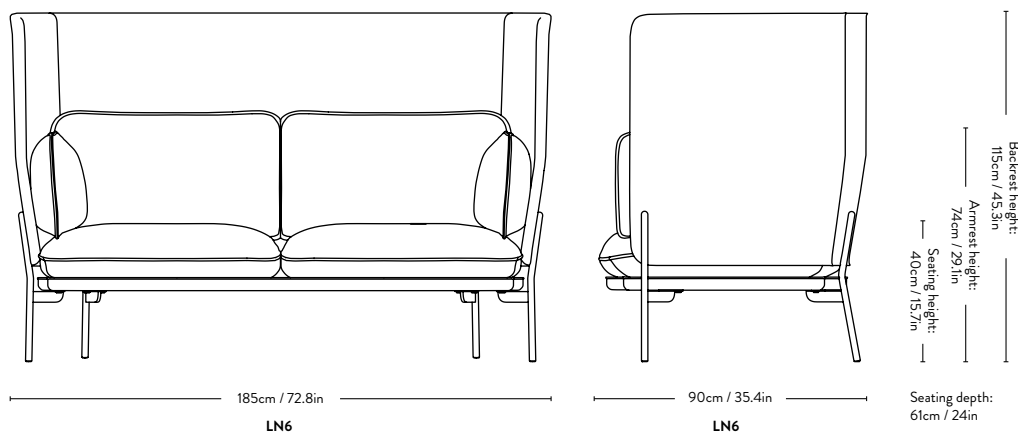
Legs	Variant
Solid	Powder Coated Warm Black
Steel tube	Chrome

Material: Plywood, solid wood and steel base with no-zag springs. HR foam, polyester fibers and feather pillows. Solid steel legs. Fabric or leather upholstery.

Fabric usage: 17 meters based on 140cm roll.

COM must be approved by &Tradition to ensure suitability for upholstery.

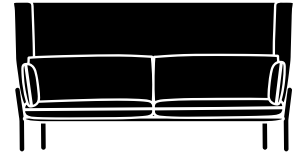
Felt gliders installed as standard.



Cloud LN7

Luca Nichetto

2017



Fabric gr.	Upholstery	Base	Lead time	Weight	PRICE EX. VAT (SEK)	PRICE INC. VAT (SEK)
Fabric gr. 1	Grain, Hot Madison, Remix, Re-Wool	Warm Black or Chrome	6-8 weeks	85.00 kg	48.948	61.185
Fabric gr. 2	Asator, Barnum, Canvas, Fiord	Warm Black or Chrome	6-8 weeks	85.00 kg	56.112	70.140
Fabric gr. 3	Clay, Hallingdal, Mylla, Steelcut Quartet, Steelcut Trio	Warm Black or Chrome	6-8 weeks	85.00 kg	57.308	71.635
Fabric gr. 4	Acca, Beda, Cifrado, Ecriture, Moss, Vidar	Warm Black or Chrome	6-8 weeks	85.00 kg	64.472	80.590
Fabric gr. 5	Gentle, Karakorum, Sisu	Warm Black or Chrome	6-8 weeks	85.00 kg	95.516	119.395
Fabric gr. 6	Fuse, Tiger Mountain**	Warm Black or Chrome	6-8 weeks	85.00 kg	105.068	131.335
Leather	Noble Aniline leather	Warm Black or Chrome	6-8 weeks	85.00 kg	79.996	99.995
COM	Fabric	Warm Black or Chrome	6-8 weeks	85.00 kg	48.948	61.185

Product no.	Add on	Cord lenght	Lead time	Weight	PRICE EX. VAT (SEK)	PRICE INC. VAT (SEK)
133346	Power outlet incl bracket (DK plug).(must be specified with the order)	30 cm	6-8 weeks		2.980	3.725

** Please be aware that the placement of the pattern may vary from piece to piece due to optimal usage of fabric when cutting. Patterns may not align at seams or edges



Made using FSC® certified wood, supporting responsible environmental, social and economical management of the world's forests. Visit www.fsc.org

Legs Variant

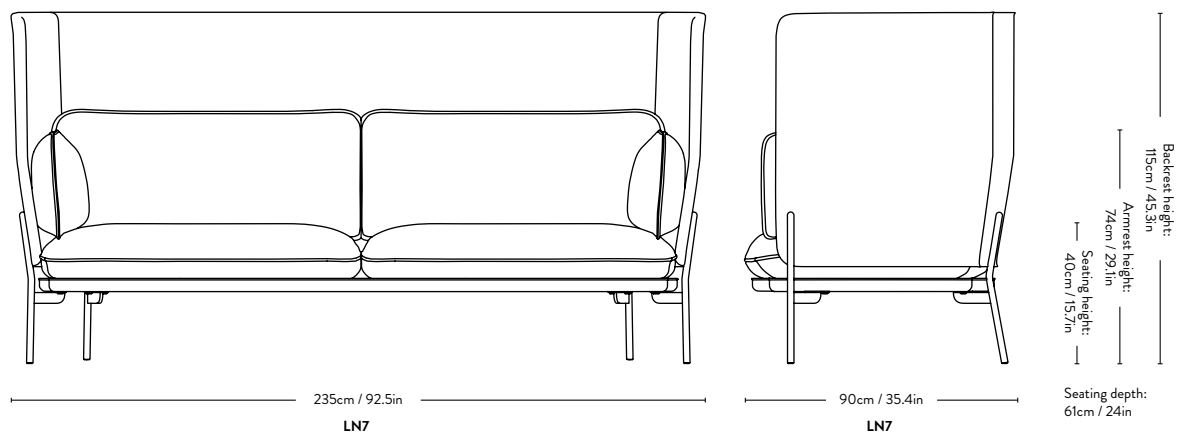
Legs	Variant
Solid	Powder Coated Warm Black
Steel tube	Chrome

Material: Plywood, solid wood and steel base with no-zag springs. HR foam, polyester fibers and feather pillows. Solid steel legs. Fabric or leather upholstery.

Fabric usage: 18 meters based on 140cm roll.

COM must be approved by &Tradition to ensure suitability for upholstery.

Felt gliders installed as standard.

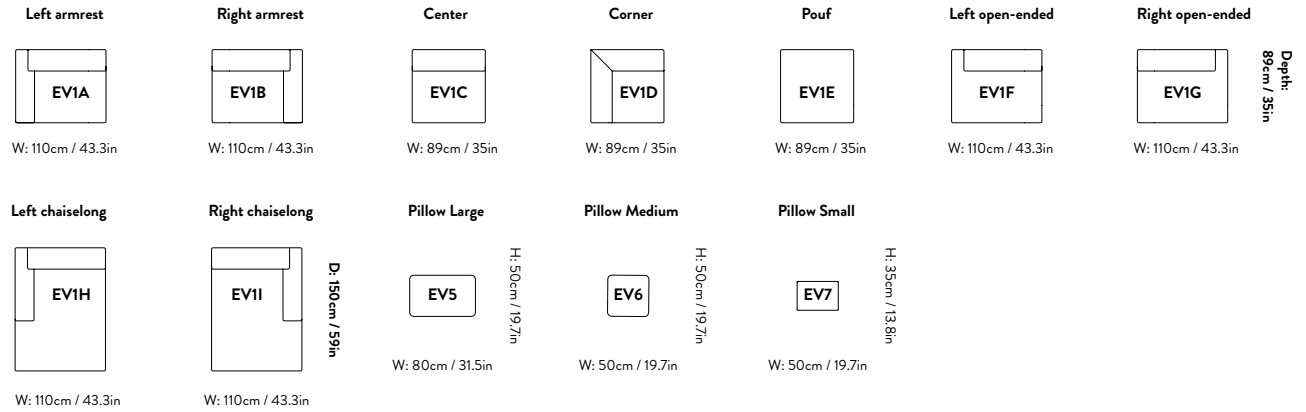


Develius ^{EV1-EV7} Edward van Vliet 2018



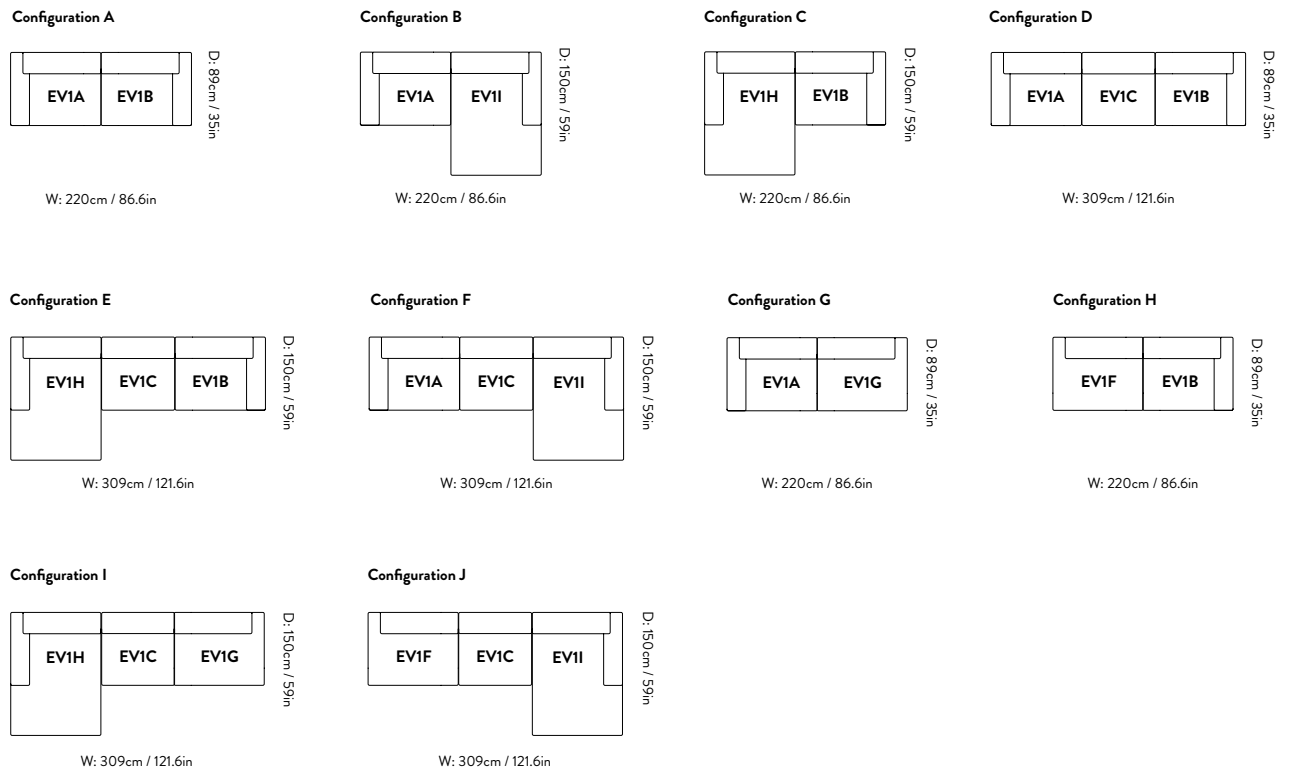
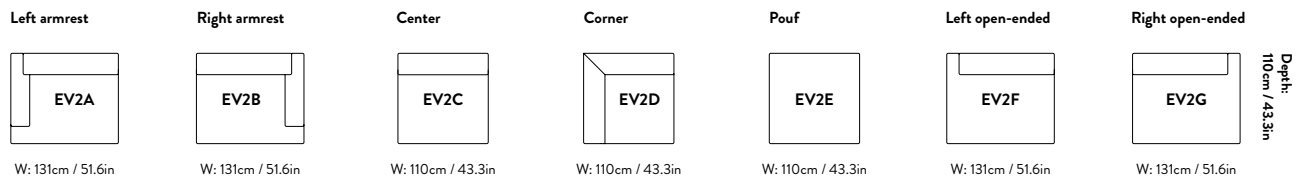
EV1 modules:

Seating Depth: 64cm / 25.2in, Seating Height: 42cm / 16.5in, Armrest Height: 60cm / 23.6in, Backrest Height: 70cm / 27.6in



EV2 modules:

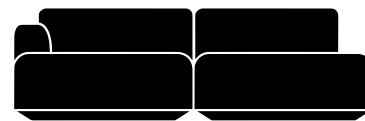
Seating Depth: 85cm / 33.5in, Seating Height: 42cm / 16.5in, Armrest Height: 60cm / 23.6in, Backrest Height: 70cm / 27.6in

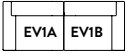
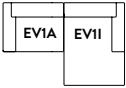
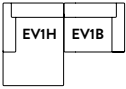

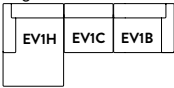
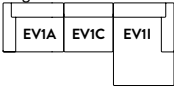


Develius



Edward van Vliet 2018



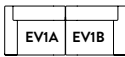
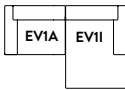
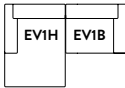
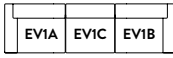
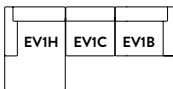
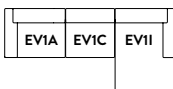
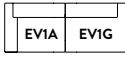
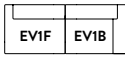
Product no.	Variant	Upholstery	Lead time	PRICE EX. VAT (SEK)	PRICE INC. VAT (SEK)
134506A235A016A323	Configuration A	Hallingdal 220	1-2 weeks	32.228	40.285
134506A235A018A397		Hot Madison 094	3-5 weeks	28.644	35.805
134506A235A006A104		Clay 0003	3-5 weeks	32.228	40.285
134507A235A016A323	Configuration B	Hallingdal 220	3-5 weeks	36.404	45.505
134507A235A018A397		Hot Madison 094	3-5 weeks	32.824	41.030
134507A235A006A104		Clay 0003	3-5 weeks	36.404	45.505
134508A235A016A323	Configuration C	Hallingdal 220	3-5 weeks	36.404	45.505
134508A235A018A397		Hot Madison 094	3-5 weeks	32.824	41.030
134508A235A006A104		Clay 0003	3-5 weeks	36.404	45.505
134509A235A016A323	Configuration D	Hallingdal 220	1-2 weeks	45.952	57.440
134509A235A018A397		Hot Madison 094	3-5 weeks	40.580	50.725
134509A235A006A104		Clay 0003	3-5 weeks	45.952	57.440
134510A235A016A323	Configuration E	Hallingdal 220	3-5 weeks	50.132	62.665
134510A235A018A397		Hot Madison 094	3-5 weeks	44.760	55.950
134510A235A006A104		Clay 0003	3-5 weeks	50.132	62.665
134511A235A016A323	Configuration F	Hallingdal 220	3-5 weeks	50.132	62.665
134511A235A018A397		Hot Madison 094	3-5 weeks	44.760	55.950
134511A235A006A104		Clay 0003	3-5 weeks	50.132	62.665

Develius

Edward van Vliet

2018



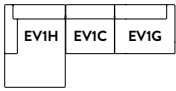
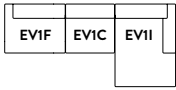
Product code	Variant	Upholstery	Lead time	PRICE EX.	PRICE INC.
				VAT (SEK)	VAT (SEK)
A	Configuration A 	· Grain, Hot Madison, Remix, Re-wool	6-8 weeks	28.644	35.805
		· Asator, Barnum, Canvas, Fiord	6-8 weeks	31.032	38.790
		· Clay, Hallingdal, Mylla, Steelcut Quartet, Steelcut Trio	6-8 weeks	32.228	40.285
		· Acca, Beda, Cifrado, Ecriture, Moss, Vidar	6-8 weeks	38.196	47.745
		· Gentle, Karakorum, Sisu, Zade*	6-8 weeks	57.300	71.625
		· Fuse, Tiger Mountain**	6-8 weeks	63.272	79.090
		· COM	6-8 weeks	28.644	35.805
B	Configuration B 	· Grain, Hot Madison, Remix, Re-wool	6-8 weeks	32.824	41.030
		· Asator, Barnum, Canvas, Fiord	6-8 weeks	35.212	44.015
		· Clay, Hallingdal, Mylla, Steelcut Quartet, Steelcut Trio	6-8 weeks	36.404	45.505
		· Acca, Beda, Cifrado, Ecriture, Moss, Vidar	6-8 weeks	42.376	52.970
		· Gentle, Karakorum, Sisu, Zade*	6-8 weeks	62.676	78.345
		· Fuse, Tiger Mountain**	6-8 weeks	69.240	86.550
		· COM	6-8 weeks	32.824	41.030
C	Configuration C 	· Grain, Hot Madison, Remix, Re-wool	6-8 weeks	32.824	41.030
		· Asator, Barnum, Canvas, Fiord	6-8 weeks	35.212	44.015
		· Clay, Hallingdal, Mylla, Steelcut Quartet, Steelcut Trio	6-8 weeks	36.404	45.505
		· Acca, Beda, Cifrado, Ecriture, Moss, Vidar	6-8 weeks	42.376	52.970
		· Gentle, Karakorum, Sisu, Zade*	6-8 weeks	62.676	78.345
		· Fuse, Tiger Mountain**	6-8 weeks	69.240	86.550
		· COM	6-8 weeks	32.824	41.030
D	Configuration D 	· Grain, Hot Madison, Remix, Re-wool	6-8 weeks	40.580	50.725
		· Asator, Barnum, Canvas, Fiord	6-8 weeks	44.160	55.200
		· Clay, Hallingdal, Mylla, Steelcut Quartet, Steelcut Trio	6-8 weeks	45.952	57.440
		· Acca, Beda, Cifrado, Ecriture, Moss, Vidar	6-8 weeks	53.712	67.140
		· Gentle, Karakorum, Sisu, Zade*	6-8 weeks	79.984	99.980
		· Fuse, Tiger Mountain**	6-8 weeks	88.340	110.425
		· COM	6-8 weeks	40.580	50.725
E	Configuration E 	· Grain, Hot Madison, Remix, Re-wool	6-8 weeks	44.760	55.950
		· Asator, Barnum, Canvas, Fiord	6-8 weeks	48.340	60.425
		· Clay, Hallingdal, Mylla, Steelcut Quartet, Steelcut Trio	6-8 weeks	50.132	62.665
		· Acca, Beda, Cifrado, Ecriture, Moss, Vidar	6-8 weeks	57.892	72.365
		· Gentle, Karakorum, Sisu, Zade*	6-8 weeks	85.356	106.695
		· Fuse, Tiger Mountain**	6-8 weeks	94.312	117.890
		· COM	6-8 weeks	44.760	55.950
F	Configuration F 	· Grain, Hot Madison, Remix, Re-wool	6-8 weeks	44.760	55.950
		· Asator, Barnum, Canvas, Fiord	6-8 weeks	48.340	60.425
		· Clay, Hallingdal, Mylla, Steelcut Quartet, Steelcut Trio	6-8 weeks	50.132	62.665
		· Acca, Beda, Cifrado, Ecriture, Moss, Vidar	6-8 weeks	57.892	72.365
		· Gentle, Karakorum, Sisu, Zade*	6-8 weeks	85.356	106.695
		· Fuse, Tiger Mountain**	6-8 weeks	94.312	117.890
		· COM	6-8 weeks	44.760	55.950
G	Configuration G 	· Grain, Hot Madison, Remix, Re-wool	6-8 weeks	28.048	35.060
		· Asator, Barnum, Canvas, Fiord	6-8 weeks	30.436	38.045
		· Clay, Hallingdal, Mylla, Steelcut Quartet, Steelcut Trio	6-8 weeks	31.628	39.535
		· Acca, Beda, Cifrado, Ecriture, Moss, Vidar	6-8 weeks	37.004	46.255
		· Gentle, Karakorum, Sisu, Zade*	6-8 weeks	54.316	67.895
		· Fuse, Tiger Mountain**	6-8 weeks	60.288	75.360
		· COM	6-8 weeks	28.048	35.060
H	Configuration H 	· Grain, Hot Madison, Remix, Re-wool	6-8 weeks	28.048	35.060
		· Asator, Barnum, Canvas, Fiord	6-8 weeks	30.436	38.045
		· Clay, Hallingdal, Mylla, Steelcut Quartet, Steelcut Trio	6-8 weeks	31.628	39.535
		· Acca, Beda, Cifrado, Ecriture, Moss, Vidar	6-8 weeks	37.004	46.255
		· Gentle, Karakorum, Sisu, Zade*	6-8 weeks	54.316	67.895
		· Fuse, Tiger Mountain**	6-8 weeks	60.288	75.360
		· COM	6-8 weeks	28.048	35.060

Develius

Edward van Vliet

2018



Product code	Variant	Upholstery	Lead time	PRICE EX.	PRICE INC.
				VAT (SEK)	VAT (SEK)
I	Configuration I 	· Grain, Hot Madison, Remix, Re-wool	6-8 weeks	44.160	55.200
		· Asator, Barnum, Canvas, Fiord	6-8 weeks	47.744	59.680
		· Clay, Hallingdal, Mylla, Steelcut Quartet, Steelcut Trio	6-8 weeks	49.536	61.920
		· Acca, Beda, Cifrado, Ecriture, Moss, Vidar	6-8 weeks	56.700	70.875
		· Gentle, Karakorum, Sisu, Zade*	6-8 weeks	82.372	102.965
		· Fuse, Tiger Mountain**	6-8 weeks	91.324	114.155
		· COM	6-8 weeks	44.160	55.200
J	Configuration J 	· Grain, Hot Madison, Remix, Re-wool	6-8 weeks	44.160	55.200
		· Asator, Barnum, Canvas, Fiord	6-8 weeks	47.744	59.680
		· Clay, Hallingdal, Mylla, Steelcut Quartet, Steelcut Trio	6-8 weeks	49.536	61.920
		· Acca, Beda, Cifrado, Ecriture, Moss, Vidar	6-8 weeks	56.700	70.875
		· Gentle, Karakorum, Sisu, Zade*	6-8 weeks	82.372	102.965
		· Fuse, Tiger Mountain**	6-8 weeks	91.324	114.155
		· COM	6-8 weeks	44.160	55.200

* Please be aware that patterns may not align at seams or edges

** Please be aware that the placement of the pattern may vary from piece to piece due to optimal usage of fabric when cutting. Patterns may not align at seams or edges



Made using FSC® certified wood, supporting responsible environmental, social and economical management of the world's forests. Visit www.fsc.org

Material: Wooden frame, no-zag springs, HR foam and polyester wadding. Metal brackets for connecting modules.

COM must be approved by &Tradition to ensure suitability for upholstery.

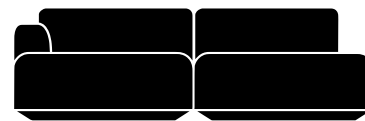
Develius and Develius Mellow are not available in leather.

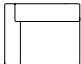
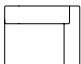

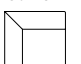
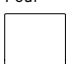
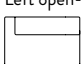
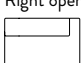
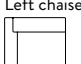
Felt gliders installed as standard.

Develius EV1A-EV1I

Edward van Vliet

2018



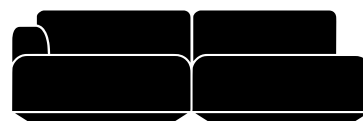
Product code	Variant	Upholstery	Lead time	Weight	PRICE EX. PRICE INC.	
					VAT (SEK)	VAT (SEK)
EV1A	Left armrest  Fabric usage: 5.1m*	· Grain, Hot Madison, Remix, Re-wool	6-8 weeks	50.00 kg	14.324	17.905
		· Asator, Barnum, Canvas, Fiord	6-8 weeks	50.00 kg	15.516	19.395
		· Clay, Hallingdal, Mylla, Steelcut Quartet, Steelcut Trio	6-8 weeks	50.00 kg	16.112	20.140
		· Acca, Beda, Cifrado, Ecriture, Moss, Vidar	6-8 weeks	50.00 kg	19.100	23.875
		· Gentle, Karakorum, Sisu, Zade*	6-8 weeks	50.00 kg	28.652	35.815
		· Fuse, Tiger Mountain**	6-8 weeks	50.00 kg	31.636	39.545
		· COM	6-8 weeks	50.00 kg	14.324	17.905
EV1B	Right armrest  Fabric usage: 5.1m*	· Grain, Hot Madison, Remix, Re-wool	6-8 weeks	50.00 kg	14.324	17.905
		· Asator, Barnum, Canvas, Fiord	6-8 weeks	50.00 kg	15.516	19.395
		· Clay, Hallingdal, Mylla, Steelcut Quartet, Steelcut Trio	6-8 weeks	50.00 kg	16.112	20.140
		· Acca, Beda, Cifrado, Ecriture, Moss, Vidar	6-8 weeks	50.00 kg	19.100	23.875
		· Gentle, Karakorum, Sisu, Zade*	6-8 weeks	50.00 kg	28.652	35.815
		· Fuse, Tiger Mountain**	6-8 weeks	50.00 kg	31.636	39.545
		· COM	6-8 weeks	50.00 kg	14.324	17.905
EV1C	Center  Fabric usage: 3.7m*	· Grain, Hot Madison, Remix, Re-wool	6-8 weeks	35.00 kg	11.936	14.920
		· Asator, Barnum, Canvas, Fiord	6-8 weeks	35.00 kg	13.128	16.410
		· Clay, Hallingdal, Mylla, Steelcut Quartet, Steelcut Trio	6-8 weeks	35.00 kg	13.724	17.155
		· Acca, Beda, Cifrado, Ecriture, Moss, Vidar	6-8 weeks	35.00 kg	15.516	19.395
		· Gentle, Karakorum, Sisu, Zade*	6-8 weeks	35.00 kg	22.680	28.350
		· Fuse, Tiger Mountain**	6-8 weeks	35.00 kg	25.068	31.335
		· COM	6-8 weeks	35.00 kg	11.936	14.920
EV1D	Corner  Fabric usage: 4.5m*	· Grain, Hot Madison, Remix, Re-wool	6-8 weeks	43.00 kg	14.324	17.905
		· Asator, Barnum, Canvas, Fiord	6-8 weeks	43.00 kg	15.516	19.395
		· Clay, Hallingdal, Mylla, Steelcut Quartet, Steelcut Trio	6-8 weeks	43.00 kg	16.112	20.140
		· Acca, Beda, Cifrado, Ecriture, Moss, Vidar	6-8 weeks	43.00 kg	19.100	23.875
		· Gentle, Karakorum, Sisu, Zade*	6-8 weeks	43.00 kg	28.652	35.815
		· Fuse, Tiger Mountain**	6-8 weeks	43.00 kg	31.636	39.545
		· COM	6-8 weeks	43.00 kg	14.324	17.905
EV1E	Pouf  Fabric usage: 2.9m*	· Grain, Hot Madison, Remix, Re-wool	6-8 weeks	26.00 kg	10.144	12.680
		· Asator, Barnum, Canvas, Fiord	6-8 weeks	26.00 kg	11.336	14.170
		· Clay, Hallingdal, Mylla, Steelcut Quartet, Steelcut Trio	6-8 weeks	26.00 kg	11.936	14.920
		· Acca, Beda, Cifrado, Ecriture, Moss, Vidar	6-8 weeks	26.00 kg	12.532	15.665
		· Gentle, Karakorum, Sisu, Zade*	6-8 weeks	26.00 kg	16.112	20.140
		· Fuse, Tiger Mountain**	6-8 weeks	26.00 kg	17.904	22.380
		· COM	6-8 weeks	26.00 kg	10.144	12.680
EV1F	Left open-ended  Fabric usage: 4.2m*	· Grain, Hot Madison, Remix, Re-wool	6-8 weeks	43.00 kg	13.724	17.155
		· Asator, Barnum, Canvas, Fiord	6-8 weeks	43.00 kg	14.920	18.650
		· Clay, Hallingdal, Mylla, Steelcut Quartet, Steelcut Trio	6-8 weeks	43.00 kg	15.516	19.395
		· Acca, Beda, Cifrado, Ecriture, Moss, Vidar	6-8 weeks	43.00 kg	17.904	22.380
		· Gentle, Karakorum, Sisu, Zade*	6-8 weeks	43.00 kg	25.664	32.080
		· Fuse, Tiger Mountain**	6-8 weeks	43.00 kg	28.652	35.815
		· COM	6-8 weeks	43.00 kg	13.724	17.155
EV1G	Right open-ended  Fabric usage: 4.2m*	· Grain, Hot Madison, Remix, Re-wool	6-8 weeks	43.00 kg	13.724	17.155
		· Asator, Barnum, Canvas, Fiord	6-8 weeks	43.00 kg	14.920	18.650
		· Clay, Hallingdal, Mylla, Steelcut Quartet, Steelcut Trio	6-8 weeks	43.00 kg	15.516	19.395
		· Acca, Beda, Cifrado, Ecriture, Moss, Vidar	6-8 weeks	43.00 kg	17.904	22.380
		· Gentle, Karakorum, Sisu, Zade*	6-8 weeks	43.00 kg	25.664	32.080
		· Fuse, Tiger Mountain**	6-8 weeks	43.00 kg	28.652	35.815
		· COM	6-8 weeks	43.00 kg	13.724	17.155
EV1H	Left chaiselong  Fabric usage: 6.1m*	· Grain, Hot Madison, Remix, Re-wool	6-8 weeks	70.00 kg	18.500	23.125
		· Asator, Barnum, Canvas, Fiord	6-8 weeks	70.00 kg	19.696	24.620
		· Clay, Hallingdal, Mylla, Steelcut Quartet, Steelcut Trio	6-8 weeks	70.00 kg	20.292	25.365
		· Acca, Beda, Cifrado, Ecriture, Moss, Vidar	6-8 weeks	70.00 kg	23.276	29.095
		· Gentle, Karakorum, Sisu, Zade*	6-8 weeks	70.00 kg	34.024	42.530
		· Fuse, Tiger Mountain**	6-8 weeks	70.00 kg	37.604	47.005
		· COM	6-8 weeks	70.00 kg	18.500	23.125

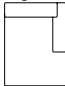
* Fabric usage is based on a 140cm roll

Develius ^{EV1A-EV1I}

Edward van Vliet

2018



Product code	Variant	Upholstery	Lead time	Weight	PRICE EX. VAT (SEK)	PRICE INC. VAT (SEK)
EV1I	Right chaiselong  Fabric usage: 6.1m*	· Grain, Hot Madison, Remix, Re-wool	6-8 weeks	70.00 kg	18.500	23.125
		· Asator, Barnum, Canvas, Fiord	6-8 weeks	70.00 kg	19.696	24.620
		· Clay, Hallingdal, Mylla, Steelcut Quartet, Steelcut Trio	6-8 weeks	70.00 kg	20.292	25.365
		· Acca, Beda, Cifrado, Ecriture, Moss, Vidar	6-8 weeks	70.00 kg	23.276	29.095
		· Gentle, Karakorum, Sisu, Zade*	6-8 weeks	70.00 kg	34.024	42.530
		· Fuse, Tiger Mountain**	6-8 weeks	70.00 kg	37.604	47.005
		· COM	6-8 weeks	70.00 kg	18.500	23.125

Add on	Cord lenght	Lead time	PRICE EX. VAT (SEK)	PRICE INC. VAT (SEK)
Power outlet (DK plug) (must be specified with the order incl. drawing)	30 cm	6-8 weeks	2.980	3.725

* Fabric usage is based on a 140cm roll

* Please be aware that patterns may not align at seams or edges

** Please be aware that the placement of the pattern may vary from piece to piece due to optimal usage of fabric when cutting. Patterns may not align at seams or edges



Made using FSC® certified wood, supporting responsible environmental, social and economical management of the world's forests. Visit www.fsc.org

Material: Wooden frame, no-zag springs, HR foam and polyester wadding. Metal brackets for connecting modules.

COM must be approved by &Tradition to ensure suitability for upholstery.

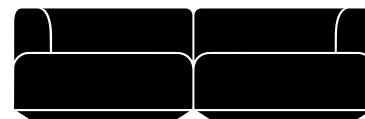
Develius and Develius Mellow are not available in leather.

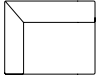
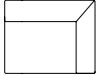
Felt gliders installed as standard.

Develius^{EV1J & EV1K}

Edward van Vliet

2018



Product code	Variant	Upholstery	Lead time	Weight	PRICE EX. VAT (SEK)	PRICE INC. VAT (SEK)
EV1J	Left armrest  Fabric usage: 5.1m*	· Grain, Hot Madison, Remix, Re-wool	6-8 weeks	51.00 kg	14.324	17.905
		· Asator, Barnum, Canvas, Fiord	6-8 weeks	51.00 kg	15.516	19.395
		· Clay, Hallingdal, Mylla, Steelcut Quartet, Steelcut Trio	6-8 weeks	51.00 kg	16.112	20.140
		· Acca, Beda, Cifrado, Ecriture, Moss, Vidar	6-8 weeks	51.00 kg	19.100	23.875
		· Gentle, Karakorum, Sisu, Zade*	6-8 weeks	51.00 kg	28.652	35.815
		· Fuse, Tiger Mountain**	6-8 weeks	51.00 kg	31.636	39.545
		· COM	6-8 weeks	51.00 kg	14.324	17.905
EV1K	Right armrest  Fabric usage: 5.1m*	· Grain, Hot Madison, Remix, Re-wool	6-8 weeks	51.00 kg	14.324	17.905
		· Asator, Barnum, Canvas, Fiord	6-8 weeks	51.00 kg	15.516	19.395
		· Clay, Hallingdal, Mylla, Steelcut Quartet, Steelcut Trio	6-8 weeks	51.00 kg	16.112	20.140
		· Acca, Beda, Cifrado, Ecriture, Moss, Vidar	6-8 weeks	51.00 kg	19.100	23.875
		· Gentle, Karakorum, Sisu, Zade*	6-8 weeks	51.00 kg	28.652	35.815
		· Fuse, Tiger Mountain**	6-8 weeks	51.00 kg	31.636	39.545
		· COM	6-8 weeks	51.00 kg	14.324	17.905
Add on		Cord length	Lead time	PRICE EX. VAT (SEK)	PRICE INC. VAT (SEK)	
Power outlet (DK plug) (must be specified with the order incl. drawing)		30 cm	6-8 weeks	2.980	3.725	

* Please be aware that patterns may not align at seams or edges

** Please be aware that the placement of the pattern may vary from piece to piece due to optimal usage of fabric when cutting. Patterns may not align at seams or edges



Made using FSC® certified wood, supporting responsible environmental, social and economical management of the world's forests. Visit www.fsc.org

Material: Wooden frame, no-zag springs, HR foam and polyester wadding. Metal brackets for connecting modules.

COM must be approved by &Tradition to ensure suitability for upholstery.

Develius and Develius Mellow are not available in leather.

Felt gliders installed as standard.

EV1 modules:

Seating Depth: 64cm / 25.2in, Seating Height: 42cm / 16.5in,
Armrest Height: 70cm / 23.6in, Backrest Height: 70cm / 27.6in

Left armrest



W: 110cm / 43.3in

Right armrest



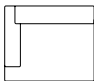
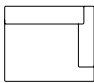
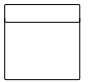
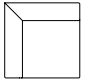



W: 110cm / 43.3in

Develius EV2A-EV2G

Edward van Vliet

2018



Product code	Variant	Upholstery	Lead time	Weight	PRICE EX. VAT (SEK)	PRICE INC. VAT (SEK)
EV2A	Left armrest  Fabric usage: 5.5m*	· Grain, Hot Madison, Remix, Re-wool	6-8 weeks	63.00 kg	19.100	23.875
		· Asator, Barnum, Canvas, Fiord	6-8 weeks	63.00 kg	21.488	26.860
		· Clay, Hallingdal, Mylla, Steelcut Quartet, Steelcut Trio	6-8 weeks	63.00 kg	22.084	27.605
		· Acca, Beda, Cifrado, Ecriture, Moss, Vidar	6-8 weeks	63.00 kg	24.472	30.590
		· Gentle, Karakorum, Sisu, Zade*	6-8 weeks	63.00 kg	33.428	41.785
		· Fuse, Tiger Mountain**	6-8 weeks	63.00 kg	37.008	46.260
		· COM	6-8 weeks	63.00 kg	19.100	23.875
EV2B	Right armrest  Fabric usage: 5.5m*	· Grain, Hot Madison, Remix, Re-wool	6-8 weeks	63.00 kg	19.100	23.875
		· Asator, Barnum, Canvas, Fiord	6-8 weeks	63.00 kg	21.488	26.860
		· Clay, Hallingdal, Mylla, Steelcut Quartet, Steelcut Trio	6-8 weeks	63.00 kg	22.084	27.605
		· Acca, Beda, Cifrado, Ecriture, Moss, Vidar	6-8 weeks	63.00 kg	24.472	30.590
		· Gentle, Karakorum, Sisu, Zade*	6-8 weeks	63.00 kg	33.428	41.785
		· Fuse, Tiger Mountain**	6-8 weeks	63.00 kg	37.008	46.260
		· COM	6-8 weeks	63.00 kg	19.100	23.875
EV2C	Center  Fabric usage: 4.4m*	· Grain, Hot Madison, Remix, Re-wool	6-8 weeks	48.00 kg	15.516	19.395
		· Asator, Barnum, Canvas, Fiord	6-8 weeks	48.00 kg	16.712	20.890
		· Clay, Hallingdal, Mylla, Steelcut Quartet, Steelcut Trio	6-8 weeks	48.00 kg	17.308	21.635
		· Acca, Beda, Cifrado, Ecriture, Moss, Vidar	6-8 weeks	48.00 kg	19.100	23.875
		· Gentle, Karakorum, Sisu, Zade*	6-8 weeks	48.00 kg	26.264	32.830
		· Fuse, Tiger Mountain**	6-8 weeks	48.00 kg	28.652	35.815
		· COM	6-8 weeks	48.00 kg	15.516	19.395
EV2D	Corner  Fabric usage: 5.7m*	· Grain, Hot Madison, Remix, Re-wool	6-8 weeks	57.00 kg	17.308	21.635
		· Asator, Barnum, Canvas, Fiord	6-8 weeks	57.00 kg	18.500	23.125
		· Clay, Hallingdal, Mylla, Steelcut Quartet, Steelcut Trio	6-8 weeks	57.00 kg	19.100	23.875
		· Acca, Beda, Cifrado, Ecriture, Moss, Vidar	6-8 weeks	57.00 kg	22.084	27.605
		· Gentle, Karakorum, Sisu, Zade*	6-8 weeks	57.00 kg	31.636	39.545
		· Fuse, Tiger Mountain**	6-8 weeks	57.00 kg	34.620	43.275
		· COM	6-8 weeks	57.00 kg	17.308	21.635
EV2E	Pouf  Fabric usage: 3.6m*	· Grain, Hot Madison, Remix, Re-wool	6-8 weeks	32.00 kg	13.128	16.410
		· Asator, Barnum, Canvas, Fiord	6-8 weeks	32.00 kg	14.324	17.905
		· Clay, Hallingdal, Mylla, Steelcut Quartet, Steelcut Trio	6-8 weeks	32.00 kg	14.920	18.650
		· Acca, Beda, Cifrado, Ecriture, Moss, Vidar	6-8 weeks	32.00 kg	16.712	20.890
		· Gentle, Karakorum, Sisu, Zade*	6-8 weeks	32.00 kg	21.488	26.860
		· Fuse, Tiger Mountain**	6-8 weeks	32.00 kg	23.876	29.845
		· COM	6-8 weeks	32.00 kg	13.128	16.410
EV2F	Left open-ended  Fabric usage: 4.9m*	· Grain, Hot Madison, Remix, Re-wool	6-8 weeks	57.00 kg	18.500	23.125
		· Asator, Barnum, Canvas, Fiord	6-8 weeks	57.00 kg	20.292	25.365
		· Clay, Hallingdal, Mylla, Steelcut Quartet, Steelcut Trio	6-8 weeks	57.00 kg	20.888	26.110
		· Acca, Beda, Cifrado, Ecriture, Moss, Vidar	6-8 weeks	57.00 kg	23.276	29.095
		· Gentle, Karakorum, Sisu, Zade*	6-8 weeks	57.00 kg	31.040	38.800
		· Fuse, Tiger Mountain**	6-8 weeks	57.00 kg	34.024	42.530
		· COM	6-8 weeks	57.00 kg	18.500	23.125
EV2G	Right open-ended  Fabric usage: 4.9m*	· Grain, Hot Madison, Remix, Re-wool	6-8 weeks	57.00 kg	18.500	23.125
		· Asator, Barnum, Canvas, Fiord	6-8 weeks	57.00 kg	20.292	25.365
		· Clay, Hallingdal, Mylla, Steelcut Quartet, Steelcut Trio	6-8 weeks	57.00 kg	20.888	26.110
		· Acca, Beda, Cifrado, Ecriture, Moss, Vidar	6-8 weeks	57.00 kg	23.276	29.095
		· Gentle, Karakorum, Sisu, Zade*	6-8 weeks	57.00 kg	31.040	38.800
		· Fuse, Tiger Mountain**	6-8 weeks	57.00 kg	34.024	42.530
		· COM	6-8 weeks	57.00 kg	18.500	23.125

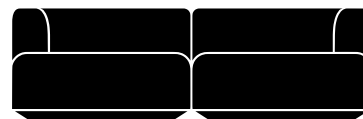
* Fabric usage is based on a 140cm roll

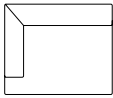
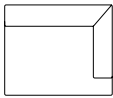
COM must be approved by &Tradition to ensure suitability for upholstery.

Material: Wooden frame, no-zag springs, HR foam and polyester wadding. Metal brackets for connecting modules.

Develius and Develius Mellow are not available in leather. Felt gliders installed as standard.

Develius EV2J & EV2K

Edward van Vliet
2018

Product code	Variant	Upholstery	Lead time	Weight	PRICE EX. VAT (SEK)	PRICE INC. VAT (SEK)
EV2J	Left armrest 	· Grain, Hot Madison, Remix, Re-wool	6-8 weeks	62.00 kg	19.100	23.875
		· Asator, Barnum, Canvas, Fiord	6-8 weeks	62.00 kg	21.488	26.860
		· Clay, Hallingdal, Mylla, Steelcut Quartet, Steelcut Trio	6-8 weeks	62.00 kg	22.084	27.605
		· Acca, Beda, Cifrado, Ecriture, Moss, Vidar	6-8 weeks	62.00 kg	24.472	30.590
		· Gentle, Karakorum, Sisu, Zade*	6-8 weeks	62.00 kg	33.428	41.785
		· Fuse, Tiger Mountain**	6-8 weeks	62.00 kg	37.008	46.260
		· COM	6-8 weeks	62.00 kg	19.100	23.875
Fabric usage: 6m*						
EV2K	Right armrest 	· Grain, Hot Madison, Remix, Re-wool	6-8 weeks	62.00 kg	19.100	23.875
		· Asator, Barnum, Canvas, Fiord	6-8 weeks	62.00 kg	21.488	26.860
		· Clay, Hallingdal, Mylla, Steelcut Quartet, Steelcut Trio	6-8 weeks	62.00 kg	22.084	27.605
		· Acca, Beda, Cifrado, Ecriture, Moss, Vidar	6-8 weeks	62.00 kg	24.472	30.590
		· Gentle, Karakorum, Sisu, Zade*	6-8 weeks	62.00 kg	33.428	41.785
		· Fuse, Tiger Mountain**	6-8 weeks	62.00 kg	37.008	46.260
		· COM	6-8 weeks	62.00 kg	19.100	23.875
Fabric usage: 6m*						

Add on	Cord lenght	Lead time	PRICE EX. VAT (SEK)	PRICE INC. VAT (SEK)
Power outlet (DK plug) (must be specified with the order incl. drawing)	30 cm	6-8 weeks	2.980	3.725

* Please be aware that patterns may not align at seams or edges

** Please be aware that the placement of the pattern may vary from piece to piece due to optimal usage of fabric when cutting. Patterns may not align at seams or edges



Made using FSC® certified wood, supporting responsible environmental, social and economical management of the world's forests. Visit www.fsc.org

Material: Wooden frame, no-zag springs, HR foam and polyester wadding. Metal brackets for connecting modules.

COM must be approved by &Tradition to ensure suitability for upholstery.

Develius and Develius Mellow are not available in leather.

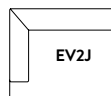
Felt gliders installed as standard.

EV2 modules:

Seating Depth: 85cm / 33.5in, Seating Height: 42cm / 16.5in,

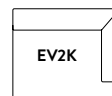
Armrest Height: 70cm / 23.6in, Backrest Height: 70cm / 27.6in

Left armrest



W: 131cm / 51.6in

Right armrest



W: 131cm / 51.6in

Develius Mellow EV8A-EV8K

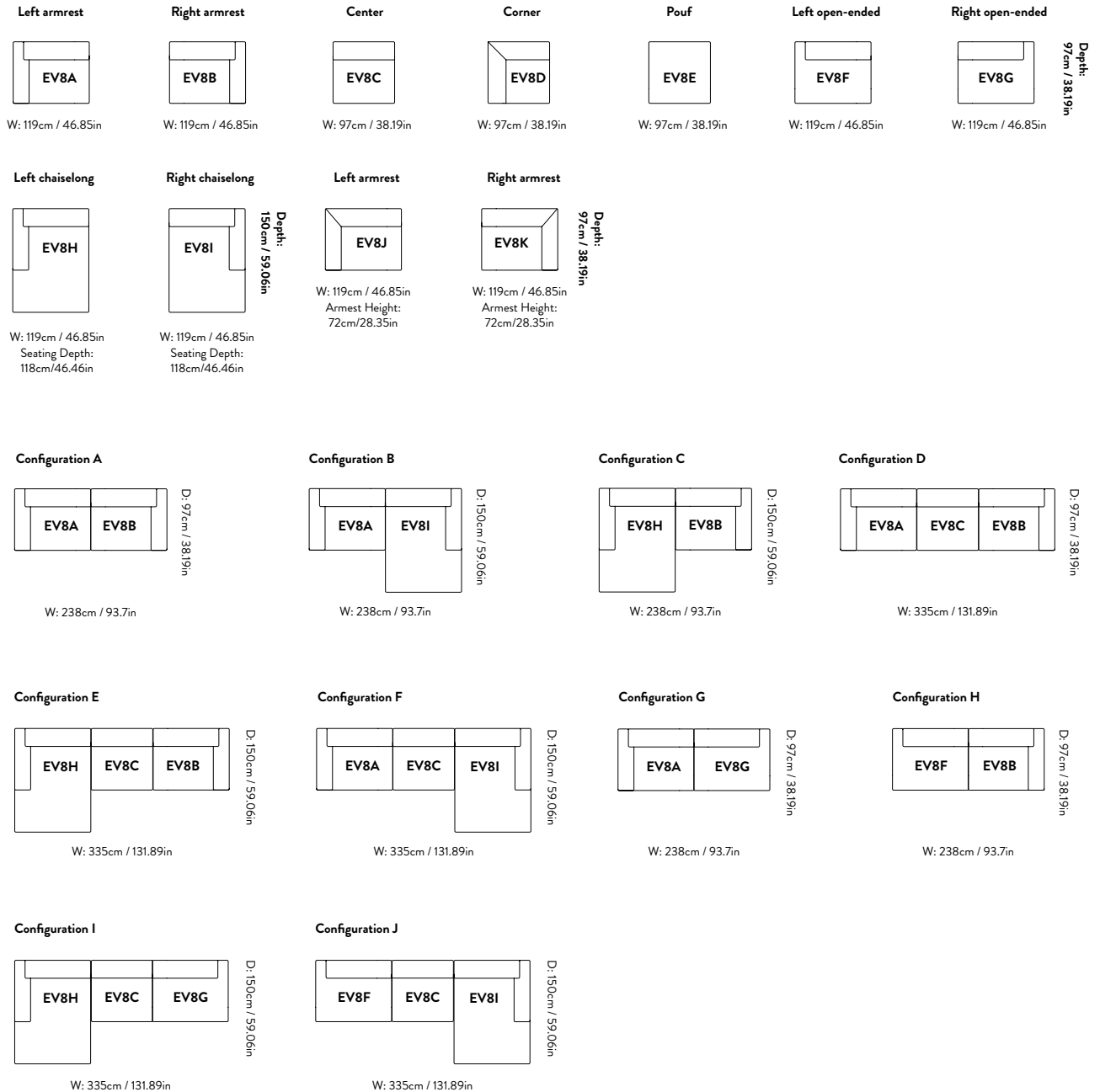
Edward van Vliet

2018



EV8 modules:

Seating Depth: 65cm / 25.59in, Seating Height: 44cm / 17.32in, Armrest Height: 60cm / 23.62in, Backrest Height: 72cm / 28.35in

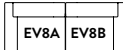
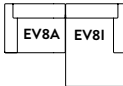
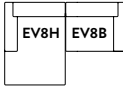
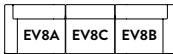
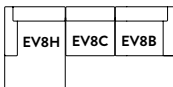
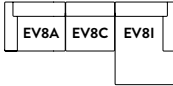
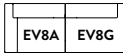


Develius Mellow EV8A-EV8K

Edward van Vliet 

2018



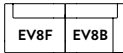
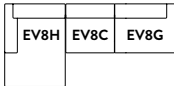
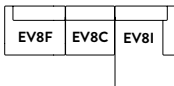
Product code	Variant	Upholstery	Lead time	PRICE EX.	PRICE INC.
				VAT (SEK)	VAT (SEK)
A	Configuration A 	· Grain, Hot Madison, Remix, Re-wool	6-8 weeks	33.424	41.780
		· Asator, Barnum, Canvas, Fiord	6-8 weeks	35.808	44.760
		· Clay, Hallingdal, Mylla, Steelcut Quartet, Steelcut Trio	6-8 weeks	37.000	46.250
		· Acca, Beda, Cifrado, Ecriture, Moss, Vidar	6-8 weeks	42.976	53.720
		· Gentle, Karakorum, Sisu	6-8 weeks	62.080	77.600
		· Fuse	6-8 weeks	68.048	85.060
		· COM	6-8 weeks	33.424	41.780
B	Configuration B 	· Grain, Hot Madison, Remix, Re-wool	6-8 weeks	37.600	47.000
		· Asator, Barnum, Canvas, Fiord	6-8 weeks	39.988	49.985
		· Clay, Hallingdal, Mylla, Steelcut Quartet, Steelcut Trio	6-8 weeks	41.180	51.475
		· Acca, Beda, Cifrado, Ecriture, Moss, Vidar	6-8 weeks	47.152	58.940
		· Gentle, Karakorum, Sisu	6-8 weeks	67.452	84.315
		· Fuse	6-8 weeks	74.020	92.525
		· COM	6-8 weeks	37.600	47.000
C	Configuration C 	· Grain, Hot Madison, Remix, Re-wool	6-8 weeks	37.600	47.000
		· Asator, Barnum, Canvas, Fiord	6-8 weeks	39.988	49.985
		· Clay, Hallingdal, Mylla, Steelcut Quartet, Steelcut Trio	6-8 weeks	41.180	51.475
		· Acca, Beda, Cifrado, Ecriture, Moss, Vidar	6-8 weeks	47.152	58.940
		· Gentle, Karakorum, Sisu	6-8 weeks	67.452	84.315
		· Fuse	6-8 weeks	74.020	92.525
		· COM	6-8 weeks	37.600	47.000
D	Configuration D 	· Grain, Hot Madison, Remix, Re-wool	6-8 weeks	47.748	59.685
		· Asator, Barnum, Canvas, Fiord	6-8 weeks	51.324	64.155
		· Clay, Hallingdal, Mylla, Steelcut Quartet, Steelcut Trio	6-8 weeks	53.112	66.390
		· Acca, Beda, Cifrado, Ecriture, Moss, Vidar	6-8 weeks	60.880	76.100
		· Gentle, Karakorum, Sisu	6-8 weeks	87.148	108.935
		· Fuse	6-8 weeks	95.504	119.380
		· COM	6-8 weeks	47.748	59.685
E	Configuration E 	· Grain, Hot Madison, Remix, Re-wool	6-8 weeks	51.924	64.905
		· Asator, Barnum, Canvas, Fiord	6-8 weeks	55.504	69.380
		· Clay, Hallingdal, Mylla, Steelcut Quartet, Steelcut Trio	6-8 weeks	57.292	71.615
		· Acca, Beda, Cifrado, Ecriture, Moss, Vidar	6-8 weeks	65.056	81.320
		· Gentle, Karakorum, Sisu	6-8 weeks	92.520	115.650
		· Fuse	6-8 weeks	101.476	126.845
		· COM	6-8 weeks	51.924	64.905
F	Configuration F 	· Grain, Hot Madison, Remix, Re-wool	6-8 weeks	51.924	64.905
		· Asator, Barnum, Canvas, Fiord	6-8 weeks	55.504	69.380
		· Clay, Hallingdal, Mylla, Steelcut Quartet, Steelcut Trio	6-8 weeks	57.292	71.615
		· Acca, Beda, Cifrado, Ecriture, Moss, Vidar	6-8 weeks	65.056	81.320
		· Gentle, Karakorum, Sisu	6-8 weeks	92.520	115.650
		· Fuse	6-8 weeks	101.476	126.845
		· COM	6-8 weeks	51.924	64.905
G	Configuration G 	· Grain, Hot Madison, Remix, Re-wool	6-8 weeks	32.824	41.030
		· Asator, Barnum, Canvas, Fiord	6-8 weeks	35.808	44.760
		· Clay, Hallingdal, Mylla, Steelcut Quartet, Steelcut Trio	6-8 weeks	37.000	46.250
		· Acca, Beda, Cifrado, Ecriture, Moss, Vidar	6-8 weeks	41.780	52.225
		· Gentle, Karakorum, Sisu	6-8 weeks	59.092	73.865
		· Fuse	6-8 weeks	65.064	81.330
		· COM	6-8 weeks	32.824	41.030

Develius Mellow EV8A-EV8K

Edward van Vliet

2018



Product code	Variant	Upholstery	Lead time	PRICE EX.	PRICE INC.
				VAT (SEK)	VAT (SEK)
H	Configuration H 	· Grain, Hot Madison, Remix, Re-wool	6-8 weeks	32.824	41.030
		· Asator, Barnum, Canvas, Fiord	6-8 weeks	35.808	44.760
		· Clay, Hallingdal, Mylla, Steelcut Quartet, Steelcut Trio	6-8 weeks	37.000	46.250
		· Acca, Beda, Cifrado, Ecriture, Moss, Vidar	6-8 weeks	41.780	52.225
		· Gentle, Karakorum, Sisu	6-8 weeks	59.092	73.865
		· Fuse	6-8 weeks	65.064	81.330
		· COM	6-8 weeks	32.824	41.030
I	Configuration I 	· Grain, Hot Madison, Remix, Re-wool	6-8 weeks	51.324	64.155
		· Asator, Barnum, Canvas, Fiord	6-8 weeks	55.504	69.380
		· Clay, Hallingdal, Mylla, Steelcut Quartet, Steelcut Trio	6-8 weeks	57.292	71.615
		· Acca, Beda, Cifrado, Ecriture, Moss, Vidar	6-8 weeks	63.860	79.825
		· Gentle, Karakorum, Sisu	6-8 weeks	89.532	111.915
		· Fuse	6-8 weeks	98.492	123.115
		· COM	6-8 weeks	51.324	64.155
J	Configuration J 	· Grain, Hot Madison, Remix, Re-wool	6-8 weeks	51.324	64.155
		· Asator, Barnum, Canvas, Fiord	6-8 weeks	55.504	69.380
		· Clay, Hallingdal, Mylla, Steelcut Quartet, Steelcut Trio	6-8 weeks	57.292	71.615
		· Acca, Beda, Cifrado, Ecriture, Moss, Vidar	6-8 weeks	63.860	79.825
		· Gentle, Karakorum, Sisu	6-8 weeks	89.532	111.915
		· Fuse	6-8 weeks	98.492	123.115
		· COM	6-8 weeks	51.324	64.155

* Fabric usage is based on a 140cm roll



Made using FSC® certified wood, supporting responsible environmental, social and economical management of the world's forests. Visit www.fsc.org

Material: Wooden frame, no-sag springs, HR foam, Duvet of shredded HR foam and polyester wadding. Inner upholstery of canvas. Metal brackets for connecting modules.

Removable cover. Please refer to the 'Spare Parts' section.

Develius and Develius Mellow are not available in leather.


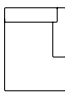
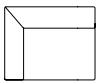
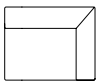
Felt gliders installed as standard.

Develius Mellow EV8A-EV8K

Edward van Vliet

2018



Product code	Variant	Upholstery	Lead time	Weight	PRICE EX.	PRICE INC.
					VAT (SEK)	VAT (SEK)
EV8H	Left Chaiselong  Fabric usage: 4.7 m*	· Grain, Hot Madison, Remix, Re-wool	6-8 weeks	54.80 kg	20.888	26.110
		· Asator, Barnum, Canvas, Fiord	6-8 weeks	54.80 kg	22.084	27.605
		· Clay, Hallingdal, Mylla, Steelcut Quartet, Steelcut Trio	6-8 weeks	54.80 kg	22.680	28.350
		· Acca, Beda, Cifrado, Ecriture, Moss, Vidar	6-8 weeks	54.80 kg	25.664	32.080
		· Gentle, Karakorum, Sisu	6-8 weeks	54.80 kg	36.412	45.515
		· Fuse	6-8 weeks	54.80 kg	39.996	49.995
		· COM	6-8 weeks	54.80 kg	20.888	26.110
EV8I	Right Chaiselong  Fabric usage: 4.7 m*	· Grain, Hot Madison, Remix, Re-wool	6-8 weeks	55.30 kg	20.888	26.110
		· Asator, Barnum, Canvas, Fiord	6-8 weeks	55.30 kg	22.084	27.605
		· Clay, Hallingdal, Mylla, Steelcut Quartet, Steelcut Trio	6-8 weeks	55.30 kg	22.680	28.350
		· Acca, Beda, Cifrado, Ecriture, Moss, Vidar	6-8 weeks	55.30 kg	25.664	32.080
		· Gentle, Karakorum, Sisu	6-8 weeks	55.30 kg	36.412	45.515
		· Fuse	6-8 weeks	55.30 kg	39.996	49.995
		· COM	6-8 weeks	55.30 kg	20.888	26.110
EV8J	Left armrest  Fabric usage: 4.2 m*	· Grain, Hot Madison, Remix, Re-wool	6-8 weeks	44.00 kg	16.712	20.890
		· Asator, Barnum, Canvas, Fiord	6-8 weeks	44.00 kg	17.904	22.380
		· Clay, Hallingdal, Mylla, Steelcut Quartet, Steelcut Trio	6-8 weeks	44.00 kg	18.500	23.125
		· Acca, Beda, Cifrado, Ecriture, Moss, Vidar	6-8 weeks	44.00 kg	21.488	26.860
		· Gentle, Karakorum, Sisu	6-8 weeks	44.00 kg	31.040	38.800
		· Fuse	6-8 weeks	44.00 kg	34.024	42.530
		· COM	6-8 weeks	44.00 kg	16.712	20.890
EV8K	Right armrest  Fabric usage: 4.2 m*	· Grain, Hot Madison, Remix, Re-wool	6-8 weeks	44.50 kg	16.712	20.890
		· Asator, Barnum, Canvas, Fiord	6-8 weeks	44.50 kg	17.904	22.380
		· Clay, Hallingdal, Mylla, Steelcut Quartet, Steelcut Trio	6-8 weeks	44.50 kg	18.500	23.125
		· Acca, Beda, Cifrado, Ecriture, Moss, Vidar	6-8 weeks	44.50 kg	21.488	26.860
		· Gentle, Karakorum, Sisu	6-8 weeks	44.50 kg	31.040	38.800
		· Fuse	6-8 weeks	44.50 kg	34.024	42.530
		· COM	6-8 weeks	44.50 kg	16.712	20.890

* Fabric usage is based on a 140cm roll



Made using FSC® certified wood, supporting responsible environmental, social and economical management of the world's forests. Visit www.fsc.org

Material: Wooden frame, no-sag springs, HR foam, Duvet of shredded HR foam and polyester wadding. Inner upholstery of canvas. Metal brackets for connecting modules.

Removable cover. Please refer to the 'Spare Parts' section.

COM must be approved by &Tradition to ensure suitability for upholstery.

Develius and Develius Mellow are not available in leather.

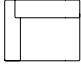
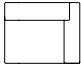
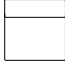
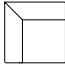

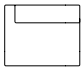
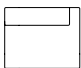
Felt gliders installed as standard.

Develius Mellow EV8A-EV8K

Edward van Vliet

2018

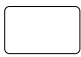

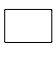


Product code	Variant	Upholstery	Lead time	Weight	PRICE EX. VAT (SEK)	PRICE INC. VAT (SEK)
EV8A	Left armrest  Fabric usage: 4.0 m*	· Grain, Hot Madison, Remix, Re-wool	6-8 weeks	40.30 kg	16.712	20.890
		· Asator, Barnum, Canvas, Fiord	6-8 weeks	40.30 kg	17.904	22.380
		· Clay, Hallingdal, Mylla, Steelcut Quartet, Steelcut Trio	6-8 weeks	40.30 kg	18.500	23.125
		· Acca, Beda, Cifrado, Ecriture, Moss, Vidar	6-8 weeks	40.30 kg	21.488	26.860
		· Gentle, Karakorum, Sisu	6-8 weeks	40.30 kg	31.040	38.800
		· Fuse	6-8 weeks	40.30 kg	34.024	42.530
		· COM	6-8 weeks	40.30 kg	16.712	20.890
EV8B	Right armrest  Fabric usage: 4.0 m*	· Grain, Hot Madison, Remix, Re-wool	6-8 weeks	40.80 kg	16.712	20.890
		· Asator, Barnum, Canvas, Fiord	6-8 weeks	40.80 kg	17.904	22.380
		· Clay, Hallingdal, Mylla, Steelcut Quartet, Steelcut Trio	6-8 weeks	40.80 kg	18.500	23.125
		· Acca, Beda, Cifrado, Ecriture, Moss, Vidar	6-8 weeks	40.80 kg	21.488	26.860
		· Gentle, Karakorum, Sisu	6-8 weeks	40.80 kg	31.040	38.800
		· Fuse	6-8 weeks	40.80 kg	34.024	42.530
		· COM	6-8 weeks	40.80 kg	16.712	20.890
EV8C	Center  Fabric usage: 3.2 m*	· Grain, Hot Madison, Remix, Re-wool	6-8 weeks	32.00 kg	14.324	17.905
		· Asator, Barnum, Canvas, Fiord	6-8 weeks	32.00 kg	15.516	19.395
		· Clay, Hallingdal, Mylla, Steelcut Quartet, Steelcut Trio	6-8 weeks	32.00 kg	16.112	20.140
		· Acca, Beda, Cifrado, Ecriture, Moss, Vidar	6-8 weeks	32.00 kg	17.904	22.380
		· Gentle, Karakorum, Sisu	6-8 weeks	32.00 kg	25.068	31.335
		· Fuse	6-8 weeks	32.00 kg	27.456	34.320
		· COM	6-8 weeks	32.00 kg	14.324	17.905
EV8D	Corner  Fabric usage: 3.7 m*	· Grain, Hot Madison, Remix, Re-wool	6-8 weeks	35.80 kg	16.712	20.890
		· Asator, Barnum, Canvas, Fiord	6-8 weeks	35.80 kg	17.904	22.380
		· Clay, Hallingdal, Mylla, Steelcut Quartet, Steelcut Trio	6-8 weeks	35.80 kg	18.500	23.125
		· Acca, Beda, Cifrado, Ecriture, Moss, Vidar	6-8 weeks	35.80 kg	21.488	26.860
		· Gentle, Karakorum, Sisu	6-8 weeks	35.80 kg	31.040	38.800
		· Fuse	6-8 weeks	35.80 kg	34.024	42.530
		· COM	6-8 weeks	35.80 kg	16.712	20.890
EV8E	Pouf  Fabric usage: 2.2 m*	· Grain, Hot Madison, Remix, Re-wool	6-8 weeks	22.00 kg	12.532	15.665
		· Asator, Barnum, Canvas, Fiord	6-8 weeks	22.00 kg	13.724	17.155
		· Clay, Hallingdal, Mylla, Steelcut Quartet, Steelcut Trio	6-8 weeks	22.00 kg	14.324	17.905
		· Acca, Beda, Cifrado, Ecriture, Moss, Vidar	6-8 weeks	22.00 kg	14.920	18.650
		· Gentle, Karakorum, Sisu	6-8 weeks	22.00 kg	18.500	23.125
		· Fuse	6-8 weeks	22.00 kg	20.292	25.365
		· COM	6-8 weeks	22.00 kg	12.532	15.665
EV8F	Left open-ended  Fabric usage: 3.6 m*	· Grain, Hot Madison, Remix, Re-wool	6-8 weeks	36.40 kg	16.112	20.140
		· Asator, Barnum, Canvas, Fiord	6-8 weeks	36.40 kg	17.904	22.380
		· Clay, Hallingdal, Mylla, Steelcut Quartet, Steelcut Trio	6-8 weeks	36.40 kg	18.500	23.125
		· Acca, Beda, Cifrado, Ecriture, Moss, Vidar	6-8 weeks	36.40 kg	20.292	25.365
		· Gentle, Karakorum, Sisu	6-8 weeks	36.40 kg	28.052	35.065
		· Fuse	6-8 weeks	36.40 kg	31.040	38.800
		· COM	6-8 weeks	36.40 kg	16.112	20.140
EV8G	Right open-ended  Fabric usage: 3.6 m*	· Grain, Hot Madison, Remix, Re-wool	6-8 weeks	36.80 kg	16.112	20.140
		· Asator, Barnum, Canvas, Fiord	6-8 weeks	36.80 kg	17.904	22.380
		· Clay, Hallingdal, Mylla, Steelcut Quartet, Steelcut Trio	6-8 weeks	36.80 kg	18.500	23.125
		· Acca, Beda, Cifrado, Ecriture, Moss, Vidar	6-8 weeks	36.80 kg	20.292	25.365
		· Gentle, Karakorum, Sisu	6-8 weeks	36.80 kg	28.052	35.065
		· Fuse	6-8 weeks	36.80 kg	31.040	38.800
		· COM	6-8 weeks	36.80 kg	16.112	20.140

* Fabric usage is based on a 140cm roll

Develius ^{EV5-EV7} Edward van Vliet 2018



Product code	Variant	Upholstery	Lead time	Weight	PRICE EX. VAT (SEK)	PRICE INC. VAT (SEK)
EV5	Cushion, large 	· Grain, Hot Madison, Remix, Re-wool	6-8 weeks	5.50 kg	1.904	2.380
		· Asator, Barnum, Canvas, Fiord	6-8 weeks	5.50 kg	2.144	2.680
		· Clay, Hallingdal, Mylla, Steelcut Quartet, Steelcut Trio	6-8 weeks	5.50 kg	2.384	2.980
		· Acca, Beda, Cifrado, Ecriture, Moss, Vidar	6-8 weeks	5.50 kg	2.860	3.575
		· Gentle, Karakorum, Sisu, Zade*	6-8 weeks	5.50 kg	4.412	5.515
		· Fuse, Tiger Mountain**	6-8 weeks	5.50 kg	4.888	6.110
	Fabric usage: 1.3m*	· COM	6-8 weeks	5.50 kg	1.904	2.380
EV6	Cushion, medium 	· Grain, Hot Madison, Remix, Re-wool	6-8 weeks	2.70 kg	1.548	1.935
		· Asator, Barnum, Canvas, Fiord	6-8 weeks	2.70 kg	1.784	2.230
		· Clay, Hallingdal, Mylla, Steelcut Quartet, Steelcut Trio	6-8 weeks	2.70 kg	1.904	2.380
		· Acca, Beda, Cifrado, Ecriture, Moss, Vidar	6-8 weeks	2.70 kg	2.144	2.680
		· Gentle, Karakorum, Sisu, Zade*	6-8 weeks	2.70 kg	3.216	4.020
		· Fuse, Tiger Mountain**	6-8 weeks	2.70 kg	3.576	4.470
	Fabric usage: 0.8m*	· COM	6-8 weeks	2.70 kg	1.548	1.935
EV7	Cushion, small 	· Grain, Hot Madison, Remix, Re-wool	6-8 weeks	1.30 kg	1.188	1.485
		· Asator, Barnum, Canvas, Fiord	6-8 weeks	1.30 kg	1.308	1.635
		· Clay, Hallingdal, Mylla, Steelcut Quartet, Steelcut Trio	6-8 weeks	1.30 kg	1.428	1.785
		· Acca, Beda, Cifrado, Ecriture, Moss, Vidar	6-8 weeks	1.30 kg	1.548	1.935
		· Gentle, Karakorum, Sisu, Zade*	6-8 weeks	1.30 kg	2.264	2.830
		· Fuse, Tiger Mountain**	6-8 weeks	1.30 kg	2.500	3.125
	Fabric usage: 0.5m*	· COM	6-8 weeks	1.30 kg	1.188	1.485

* Fabric usage is based on a 140cm roll

* Please be aware that patterns may not align at seams or edges

** Please be aware that the placement of the pattern may vary from piece to piece due to optimal usage of fabric when cutting. Patterns may not align at seams or edges

Material: Feather filling

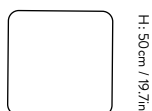
COM must be approved by &Tradition to ensure suitability for upholstery.

Develius and Develius Mellow are not available in leather.



w: 80cm / 31.5in

EV5



w: 50cm / 19.7in

EV6



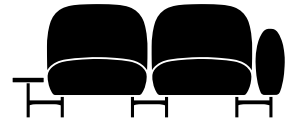
w: 50cm / 19.7in

EV7

Isole NN1A-NN1G

Nendo & Luca Nichetto

2017



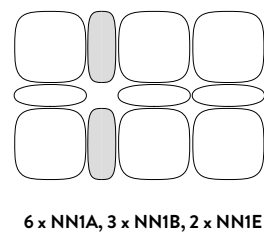
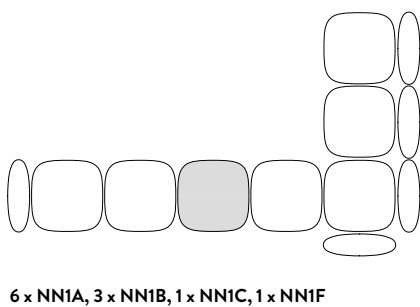
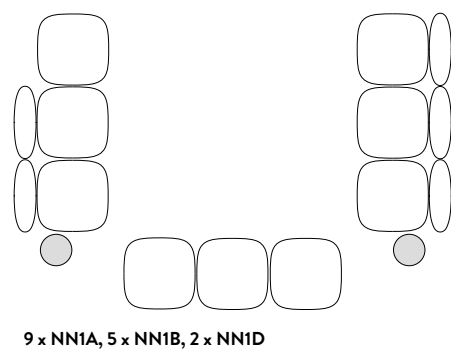
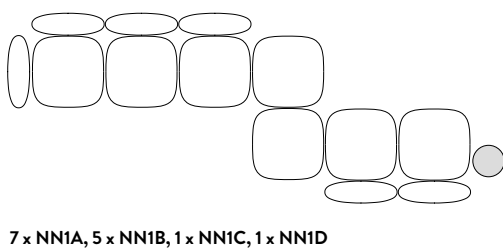
Dimensions

<p>Seat</p> <p>D: 65cm / 25.6in</p> <p>W: 65cm / 25.6in</p> <p>NN1A</p>	<p>Back</p> <p>D: 20cm / 7.9in</p> <p>W: 67cm / 26.4in</p> <p>NN1B</p>	<p>Armrest</p> <p>D: 67cm / 26.4in</p> <p>W: 20cm / 7.9in</p> <p>NN1C</p>	<p>Round Table</p> <p>Ø: 30cm / 11.8in</p> <p>NN1D</p>	<p>Rectangular Table</p> <p>D: 65cm / 25.6in</p> <p>w: 20cm / 7.9in</p> <p>NN1E</p>	<p>Square Table</p> <p>D: 65cm / 25.6in</p> <p>w: 65cm / 25.6in</p> <p>NN1F</p>
--	---	--	---	--	--

Simple configurations

<p>D: 65cm / 25.59in</p> <p>w: 65cm / 25.59in</p> <p>1 x NN1A</p>	<p>w: 118.6cm / 46.69in</p> <p>1 x NN1A 1 x NN1B 1 x NN1C 1 x NN1D</p>	<p>w: 87.5cm / 34.4in</p> <p>1 x NN1A 1 x NN1B 1 x NN1E</p>	<p>w: 176cm / 69.3in</p> <p>2 x NN1A 2 x NN1B 2 x NN1C</p>	<p>D: 87.6 cm / 34.48 in</p> <p>w: 242.2cm / 95.35in</p> <p>3 x NN1A 3 x NN1B 2 x NN1C</p>
--	--	--	---	---

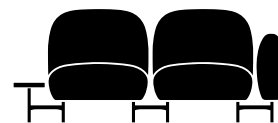
Configurations



Isole NN1A-NN1G

Nendo & Luca Nichetto

2017



Fabric gr.	Upholstery	Product code	Product	Lead time	PRICE EX.	PRICE INC.
					VAT (SEK)	VAT (SEK)
Fabric gr. 1	Grain, Hot Madison, Remix	NN1A	Seat	6-8 weeks	6.560	8.200
		NN1B	Back	6-8 weeks	5.368	6.710
		NN1C	Arm	6-8 weeks	4.772	5.965
Fabric gr. 2	Barnum, Canvas	NN1A	Seat	6-8 weeks	7.756	9.695
		NN1B	Back	6-8 weeks	6.560	8.200
		NN1C	Arm	6-8 weeks	5.368	6.710
Fabric gr. 3	Hallingdal, Mylla, Steelcut Quartet, Steelcut Trio	NN1A	Seat	6-8 weeks	8.352	10.440
		NN1B	Back	6-8 weeks	7.160	8.950
		NN1C	Arm	6-8 weeks	5.964	7.455
Fabric gr. 4	Acca, Cifrado, Ecriture, Moss, Vidar	NN1A	Seat	6-8 weeks	8.948	11.185
		NN1B	Back	6-8 weeks	7.756	9.695
		NN1C	Arm	6-8 weeks	6.560	8.200
Fabric gr. 5	Gentle, Karakorum, Sisu	NN1A	Seat	6-8 weeks	11.336	14.170
		NN1B	Back	6-8 weeks	8.948	11.185
		NN1C	Arm	6-8 weeks	7.756	9.695
Fabric gr. 6	Fuse	NN1A	Seat	6-8 weeks	12.532	15.665
		NN1B	Back	6-8 weeks	9.784	12.230
		NN1C	Arm	6-8 weeks	8.592	10.740

Product no.	Product	Product code	Variant	Lead time	PRICE EX.	PRICE INC.
					VAT (SEK)	VAT (SEK)
134518	Round Table	NN1D	Fenix laminate Black	6-8 weeks	4.172	5.215
134519	Rectangular Table	NN1E		6-8 weeks	4.412	5.515
134520	Square Table	NN1F		6-8 weeks	6.560	8.200
133346	Power outlet incl bracket (DK plug) (must be specified with the order)		Cord length: 30cm		2.980	3.725

Product no.	Base	Product code	Lead time	PRICE EX.	PRICE INC.
				VAT (SEK)	VAT (SEK)
134521	Optional floor fixing set (2 pcs in one set)	NN1G	6-8 weeks	1.188	1.485



Made using FSC® certified wood, supporting responsible environmental, social and economical management of the world's forests. Visit www.fsc.org

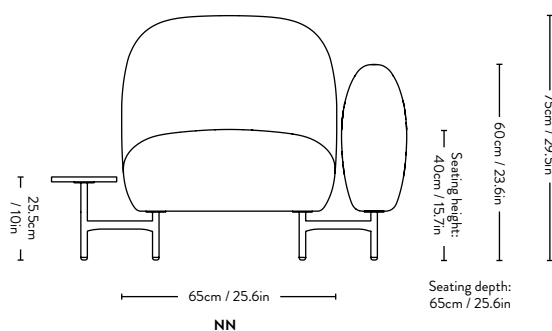
Base Variant

Steel Black

Material: Powder coated steel base, moulded HR foam seat, backrest and armrest. Black MDF table tops with nano laminate surface.

Modular system including base.

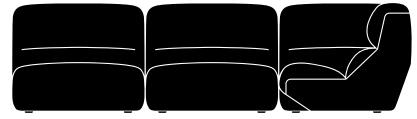
Plastic gliders installed as standard.







Hi Lo AV54 & AV55

Anderssen & Voll

2025



Product no.	Variant	Upholstery	Lead time	PRICE EX. VAT (SEK)	PRICE INC. VAT (SEK)
147225A235A178D402	Configuration A 	Grain 61229	6-8 weeks	35.808	44.760
147225A235A519D424		Mylla 0971	6-8 weeks	39.392	49.240
147225A235A187C082		Cifrado 0121	6-8 weeks	42.972	53.715
147225A235A057A971		Vidar 0386	6-8 weeks	42.972	53.715
147225A235A014A299		Gentle 0733	6-8 weeks	50.136	62.670
147227A235A178D402	Configuration B 	Grain 61229	6-8 weeks	53.712	67.140
147227A235A519D424		Mylla 0971	6-8 weeks	59.088	73.860
147227A235A187C082		Cifrado 0121	6-8 weeks	64.460	80.575
147227A235A057A971		Vidar 0386	6-8 weeks	64.460	80.575
147227A235A014A299		Gentle 0733	6-8 weeks	75.204	94.005
147229A235A178D402	Configuration C 	Grain 61229	6-8 weeks	74.004	92.505
147229A235A519D424		Mylla 0971	6-8 weeks	82.004	102.505
147229A235A187C082		Cifrado 0121	6-8 weeks	91.440	114.300
147229A235A057A971		Vidar 0386	6-8 weeks	91.440	114.300
147229A235A014A299		Gentle 0733	6-8 weeks	105.052	131.315
147231A235A178D402	Configuration D 	Grain 61229	6-8 weeks	91.912	114.890
147231A235A519D424		Mylla 0971	6-8 weeks	101.700	127.125
147231A235A187C082		Cifrado 0121	6-8 weeks	112.924	141.155
147231A235A057A971		Vidar 0386	6-8 weeks	112.924	141.155
147231A235A014A299		Gentle 0733	6-8 weeks	130.120	162.650

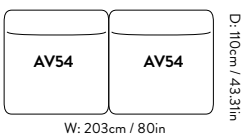


Made using FSC® certified wood, supporting responsible environmental, social and economical management of the world's forests. Visit www.fsc.org

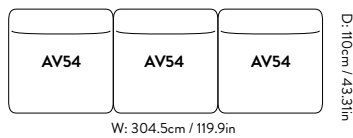
Material: Wood, HR foam, polyester wadding, fabric upholstery.

Felt gliders installed as standard.

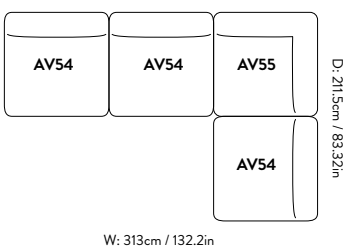
Configuration A



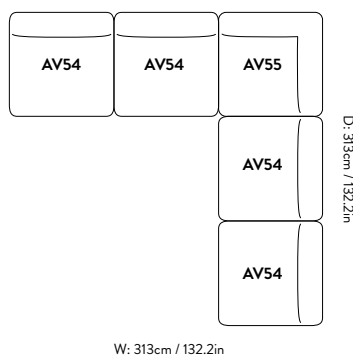
Configuration B



Configuration C



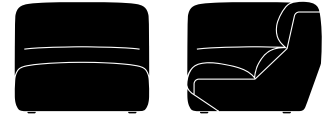
Configuration D



Hi Lo AV54 & AV55

Anderssen & Voll

2025



Product code	Variant	Upholstery	Lead time	Weight	PRICE EX.	PRICE INC.
					VAT (SEK)	VAT (SEK)
AV54	Center	• Grain, Hot Madison, Remix, Re-wool	6-8 weeks	35.50 kg	17.904	22.380
		• Barnum, Canvas, Fiord	6-8 weeks	35.50 kg	19.100	23.875
		• Clay, Hallingdal, Mylla, Steelcut Quartet, Steelcut Trio	6-8 weeks	35.50 kg	19.696	24.620
		• Acca, Beda, Cifrado, Ecriture, Moss, Vidar	6-8 weeks	35.50 kg	21.488	26.860
		• Gentle, Karakorum, Sisu	6-8 weeks	35.50 kg	25.068	31.335
		• Fuse, Tiger Mountain*	6-8 weeks	35.50 kg	31.040	38.800
		• COM	6-8 weeks	35.50 kg	17.904	22.380
AV55	Corner	• Grain, Hot Madison, Remix, Re-wool	6-8 weeks	46.60 kg	20.292	25.365
		• Barnum, Canvas, Fiord	6-8 weeks	46.60 kg	22.204	27.755
		• Clay, Hallingdal, Mylla, Steelcut Quartet, Steelcut Trio	6-8 weeks	46.60 kg	22.920	28.650
		• Acca, Beda, Cifrado, Ecriture, Moss, Vidar	6-8 weeks	46.60 kg	26.980	33.725
		• Gentle, Karakorum, Sisu	6-8 weeks	46.60 kg	29.844	37.305
		• Fuse, Tiger Mountain*	6-8 weeks	46.60 kg	35.816	44.770
		• COM	6-8 weeks	46.60 kg	20.292	25.365

* Please be aware that the placement of the pattern may vary from piece to piece due to optimal usage of fabric when cutting. Patterns may not align at seams or edges



Made using FSC® certified wood, supporting responsible environmental, social and economical management of the world's forests. Visit www.fsc.org

Material: Wood, HR foam, polyester wadding, fabric upholstery.

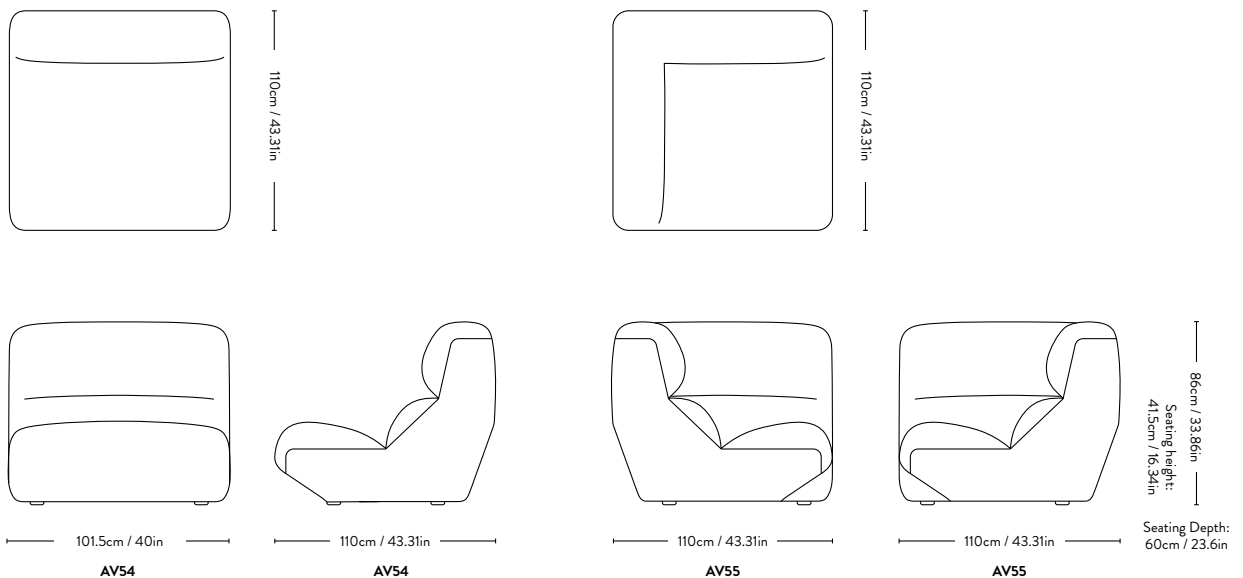
Fabric usage AV54: 4.9 meters based on 140 cm roll

Fabric usage AV55: 5.6 meters based on 140 cm roll

COM must be approved by &Tradition to ensure suitability for upholstery.

Hi Lo is not available in leather.

Felt gliders installed as standard.



Fly SC10

Space Copenhagen 2017



Product no.	Upholstery	Base	Colli qty.	Lead time	Weight	PRICE EX. VAT (SEK)	PRICE INC. VAT (SEK)
134538A235A018A397	Hot Madison 094	Oiled Oak	1 pc	1-2 weeks	22.00 kg	19.100	23.875
134539A235A018A396	Hot Madison 093	Smoked Oiled Oak	1 pc	1-2 weeks	22.00 kg	19.100	23.875

Fabric gr.	Upholstery	Lead time	Weight	PRICE EX. VAT (SEK)	PRICE INC. VAT (SEK)
Fabric gr. 1	Grain, Hot Madison, Remix, Re-Wool	6-8 weeks	22.00 kg	20.292	25.365
Fabric gr. 2	Asator, Barnum, Canvas, Fiord	6-8 weeks	22.00 kg	20.888	26.110
Fabric gr. 3	Clay, Hallingdal, Mylla, Steelcut Quartet, Steelcut Trio	6-8 weeks	22.00 kg	21.488	26.860
Fabric gr. 4	Acca, Cifrado, Ecriture, Moss, Vidar	6-8 weeks	22.00 kg	23.276	29.095
Fabric gr. 5	Gentle, Karakorum, Sisu, Zade*	6-8 weeks	22.00 kg	26.264	32.830
Fabric gr. 6	Fuse, Tiger Mountain**	6-8 weeks	22.00 kg	29.248	36.560
COM	Fabric	6-8 weeks	22.00 kg	20.292	25.365

Product no.	Add on	Lead time	Weight	PRICE EX. VAT (SEK)	PRICE INC. VAT (SEK)
133021	Fly high legs - Oiled Oak (providing a seating height of 46cm / 18.1in)	Stock item	1.50 kg	948	1.185
133022	Fly high legs - Smoked Oiled Oak (providing a seating height of 46cm / 18.1in)	Stock item	1.50 kg	948	1.185

* Please be aware that patterns may not align at seams or edges
 ** Please be aware that the placement of the pattern may vary from piece to piece due to optimal usage of fabric when cutting. Patterns may not align at seams or edges



Made using FSC® certified wood, supporting responsible environmental, social and economical management of the world's forests. Visit www.fsc.org

Frame	Variant
Oak	Oiled Oak, Smoked Oiled Oak

Material: Oiled oak frame and base. HR foam & feather pillows.

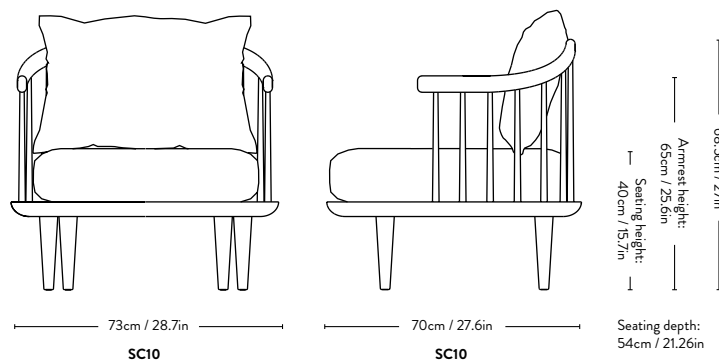
Fabric usage: 3 meters based on 140cm roll.

COM must be approved by &Tradition to ensure suitability for upholstery.

Fly SC10 is not available in leather.

Felt gliders installed as standard.

Separate cushions and pillows available. Please refer to the 'Spare Parts' section.



Fly SC1

Space Copenhagen 2013



Product no.	Upholstery	Base	Colli qty.	Lead time	Weight	PRICE EX. VAT (SEK)	PRICE INC. VAT (SEK)
134522A235A018A397	Hot Madison 094	Oiled Oak	1 pc	1-2 weeks	30.00 kg	20.292	25.365
134523A235A018A396	Hot Madison 093	Smoked Oiled Oak	1 pc	1-2 weeks	30.00 kg	20.292	25.365

Fabric gr.	Upholstery	Lead time	Weight	PRICE EX. VAT (SEK)	PRICE INC. VAT (SEK)
Fabric gr. 1	Grain, Hot Madison, Remix, Re-Wool	6-8 weeks	30.00 kg	21.488	26.860
Fabric gr. 2	Asator, Barnum, Canvas, Fiord	6-8 weeks	30.00 kg	23.876	29.845
Fabric gr. 3	Clay, Hallingdal, Mylla, Steelcut Quartet, Steelcut Trio	6-8 weeks	30.00 kg	24.472	30.590
Fabric gr. 4	Acca, Cifrado, Ecriture, Moss, Vidar	6-8 weeks	30.00 kg	26.264	32.830
Fabric gr. 5	Gentle, Karakorum, Sisu, Zade*	6-8 weeks	30.00 kg	29.844	37.305
Fabric gr. 6	Fuse, Tiger Mountain**	6-8 weeks	30.00 kg	32.828	41.035
COM	Fabric	6-8 weeks	30.00 kg	21.488	26.860

Product no.	Add on	Lead time	Weight	PRICE EX. VAT (SEK)	PRICE INC. VAT (SEK)
133021	Fly high legs - Oiled Oak (providing a seating height of 46cm / 18.1in)	Stock item	1.50 kg	948	1.185
133022	Fly high legs - Smoked Oiled Oak (providing a seating height of 46cm / 18.1in)	Stock item	1.50 kg	948	1.185

* Please be aware that patterns may not align at seams or edges
 ** Please be aware that the placement of the pattern may vary from piece to piece due to optimal usage of fabric when cutting. Patterns may not align at seams or edges

Frame	Variant
Oak	Oiled Oak, Smoked Oiled Oak



Made using FSC® certified wood, supporting responsible environmental, social and economical management of the world's forests. Visit www.fsc.org

Material: Oiled oak frame and base. HR foam & feather pillows.

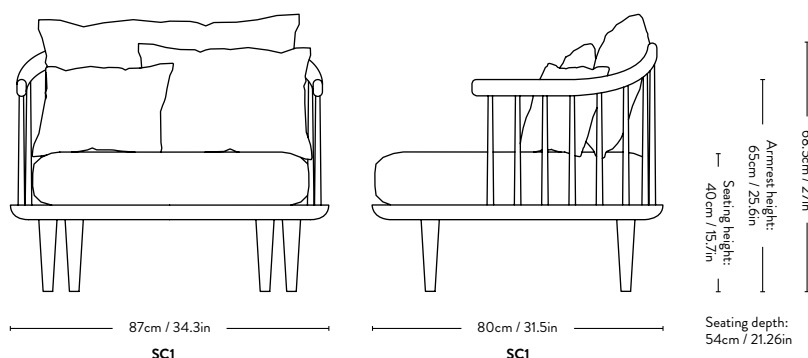
Fabric usage: 3.5 meters based on 140cm roll.

COM must be approved by &Tradition to ensure suitability for upholstery.

Fly SC1 is not available in leather.

Felt gliders installed as standard.

Separate cushions and pillows available. Please refer to the 'Spare Parts' section.



Fly SC2

Space Copenhagen 2013



Product no.	Upholstery	Base	Colli qty.	Lead time	Weight	PRICE EX. VAT (SEK)	PRICE INC. VAT (SEK)
134526A235A018A397	Hot Madison 094	Oiled Oak	1 pc	1-2 weeks	60.00 kg	37.604	47.005
134527A235A018A396	Hot Madison 093	Smoked Oiled Oak	1 pc	1-2 weeks	60.00 kg	37.604	47.005

Fabric gr.	Upholstery	Lead time	Weight	PRICE EX. VAT (SEK)	PRICE INC. VAT (SEK)
Fabric gr. 1	Grain, Hot Madison, Remix, Re-Wool	6-8 weeks	60.00 kg	39.996	49.995
Fabric gr. 2	Asator, Barnum, Canvas, Fiord	6-8 weeks	60.00 kg	43.576	54.470
Fabric gr. 3	Clay, Hallingdal, Mylla, Steelcut Quartet, Steelcut Trio	6-8 weeks	60.00 kg	44.772	55.965
Fabric gr. 4	Acca, Cifrado, Ecriture, Moss, Vidar	6-8 weeks	60.00 kg	47.160	58.950
Fabric gr. 5	Gentle, Karakorum, Sisu, Zade*	6-8 weeks	60.00 kg	55.516	69.395
Fabric gr. 6	Fuse, Tiger Mountain**	6-8 weeks	60.00 kg	61.488	76.860
COM	Fabric	6-8 weeks	60.00 kg	39.996	49.995

Product no.	Add on	Lead time	Weight	PRICE EX. VAT (SEK)	PRICE INC. VAT (SEK)
133021	Fly high legs - Oiled Oak (providing a seating height of 46cm / 18.1in)	Stock item	1.50 kg	948	1.185
133022	Fly high legs - Smoked Oiled Oak (providing a seating height of 46cm / 18.1in)	Stock item	1.50 kg	948	1.185

* Please be aware that patterns may not align at seams or edges

** Please be aware that the placement of the pattern may vary from piece to piece due to optimal usage of fabric when cutting. Patterns may not align at seams or edges



Made using FSC® certified wood, supporting responsible environmental, social and economical management of the world's forests. Visit www.fsc.org

Frame	Variant
Oak	Oiled Oak, Smoked Oiled Oak

Material: Oiled oak frame and base. HR foam & feather pillows.

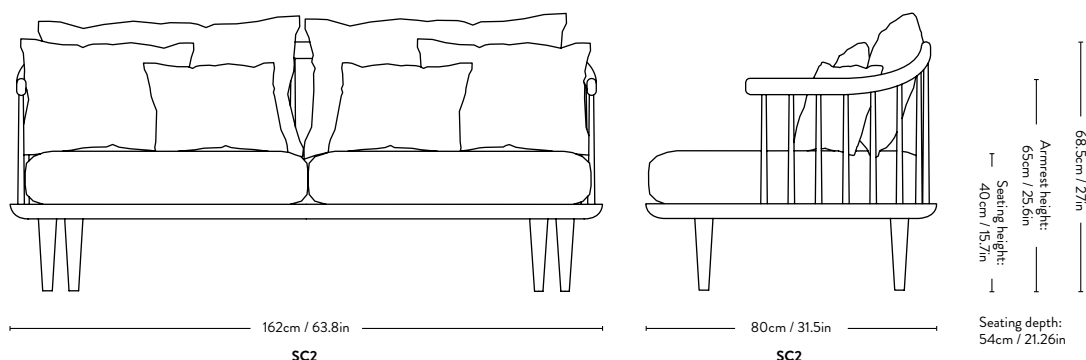
Fabric usage: 6.5 meters based on 140cm roll.

COM must be approved by &Tradition to ensure suitability for upholstery.

Fly SC2 is not available in leather.

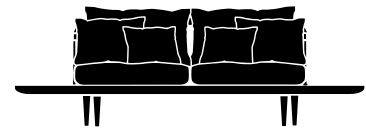
Felt gliders installed as standard.

Separate cushions and pillows available. Please refer to the 'Spare Parts' section.



Fly SC3

Space Copenhagen 2013



Product no.	Upholstery	Base	Colli qty.	Lead time	Weight	PRICE EX. VAT (SEK)	PRICE INC. VAT (SEK)
134530A235A018A397	Hot Madison 094	Oiled Oak	1 pc	3-5 weeks	70.00 kg	39.996	49.995
134531A235A018A396	Hot Madison 093	Smoked Oiled Oak	1 pc	3-5 weeks	70.00 kg	39.996	49.995

Fabric gr.	Upholstery	Lead time	Weight	PRICE EX. VAT (SEK)	PRICE INC. VAT (SEK)
Fabric gr. 1	Grain, Hot Madison, Remix, Re-Wool	6-8 weeks	70.00 kg	43.576	54.470
Fabric gr. 2	Asator, Barnum, Canvas, Fiord	6-8 weeks	70.00 kg	47.160	58.950
Fabric gr. 3	Clay, Hallingdal, Mylla, Steelcut Quartet, Steelcut Trio	6-8 weeks	70.00 kg	48.352	60.440
Fabric gr. 4	Acca, Cifrado, Ecriture, Moss, Vidar	6-8 weeks	70.00 kg	50.740	63.425
Fabric gr. 5	Gentle, Karakorum, Sisu, Zade*	6-8 weeks	70.00 kg	59.100	73.875
Fabric gr. 6	Fuse, Tiger Mountain**	6-8 weeks	70.00 kg	65.068	81.335
COM	Fabric	6-8 weeks	70.00 kg	43.576	54.470

Product no.	Add on	Lead time	Weight	PRICE EX. VAT (SEK)	PRICE INC. VAT (SEK)
133021	Fly high legs - Oiled Oak (providing a seating height of 46cm / 18.1in)	Stock item	1.50 kg	948	1.185
133022	Fly high legs - Smoked Oiled Oak (providing a seating height of 46cm / 18.1in)	Stock item	1.50 kg	948	1.185

* Please be aware that patterns may not align at seams or edges
 ** Please be aware that the placement of the pattern may vary from piece to piece due to optimal usage of fabric when cutting. Patterns may not align at seams or edges



Made using FSC® certified wood, supporting responsible environmental, social and economical management of the world's forests. Visit www.fsc.org

Frame	Variant
Oak	Oiled Oak, Smoked Oiled Oak

Material: Oiled oak frame and base. HR foam & feather pillows.

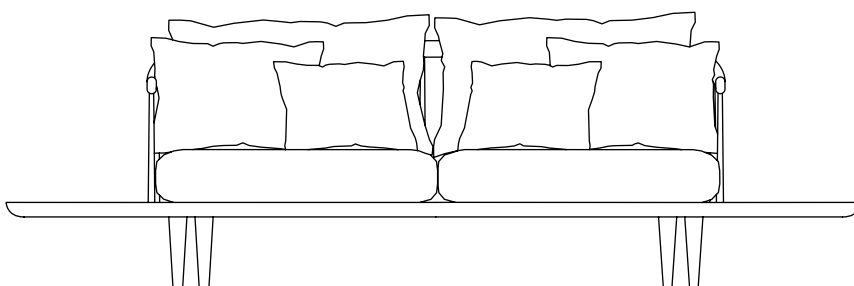
Fabric usage: 6.5 meters based on 140cm roll.

COM must be approved by &Tradition to ensure suitability for upholstery.

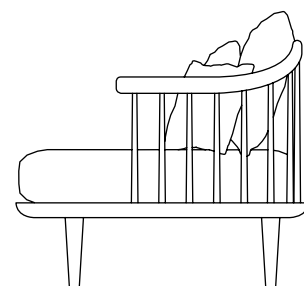
Fly SC3 is not available in leather.

Felt gliders installed as standard.

Separate cushions and pillows available. Please refer to the 'Spare Parts' section.



240cm / 94.5in
SC3



80cm / 31.5in
SC3

68.5cm / 27in
 Armrest height: 65cm / 25.6in
 Seating height: 40cm / 15.7in
 Seating depth: 54cm / 21.26in

Fly SC12



Space Copenhagen 2017



Product no.	Upholstery	Base	Colli qty.	Lead time	Weight	PRICE EX. VAT (SEK)	PRICE INC. VAT (SEK)
134542A235A018A397	Hot Madison 094	Oiled Oak	1 pc	6-8 weeks	80.00 kg	56.112	70.140
134543A235A018A396	Hot Madison 093	Smoked Oiled Oak	1 pc	6-8 weeks	80.00 kg	56.112	70.140

Fabric gr.	Upholstery	Lead time	Weight	PRICE EX. VAT (SEK)	PRICE INC. VAT (SEK)
Fabric gr. 1	Grain, Hot Madison, Remix, Re-Wool	6-8 weeks	80.00 kg	56.112	70.140
Fabric gr. 2	Asator, Barnum, Canvas, Fiord	6-8 weeks	80.00 kg	59.696	74.620
Fabric gr. 3	Clay, Hallingdal, Mylla, Steelcut Quartet, Steelcut Trio	6-8 weeks	80.00 kg	60.888	76.110
Fabric gr. 4	Acca, Cifrado, Ecriture, Moss, Vidar	6-8 weeks	80.00 kg	64.472	80.590
Fabric gr. 5	Gentle, Karakorum, Sisu, Zade*	6-8 weeks	80.00 kg	79.996	99.995
Fabric gr. 6	Fuse, Tiger Mountain**	6-8 weeks	80.00 kg	87.756	109.695
COM	Fabric	6-8 weeks	80.00 kg	56.112	70.140

Product no.	Add on	Lead time	Weight	PRICE EX. VAT (SEK)	PRICE INC. VAT (SEK)
133021	Fly high legs - Oiled Oak (providing a seating height of 46cm / 18.1in)	Stock item	1.50 kg	948	1.185
133022	Fly high legs - Smoked Oiled Oak (providing a seating height of 46cm / 18.1in)	Stock item	1.50 kg	948	1.185

* Please be aware that patterns may not align at seams or edges

** Please be aware that the placement of the pattern may vary from piece to piece due to optimal usage of fabric when cutting. Patterns may not align at seams or edges



Made using FSC® certified wood, supporting responsible environmental, social and economical management of the world's forests. Visit www.fsc.org

Frame	Variant
Oak	Oiled Oak, Smoked Oiled Oak

Material: Oiled oak frame and base. HR foam and feather pillows.

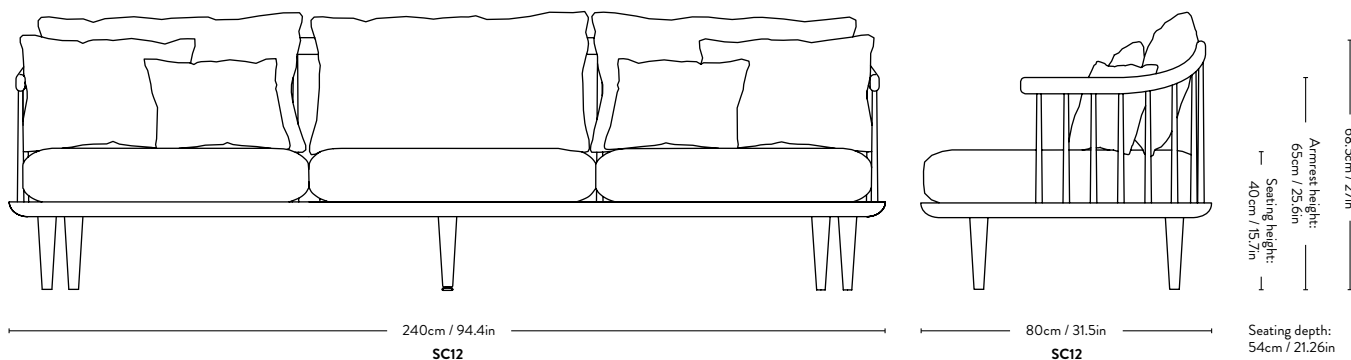
Fabric usage: 8 meters based on 140cm roll.

COM must be approved by &Tradition to ensure suitability for upholstery.

Fly SC12 is not available in leather.

Felt gliders installed as standard.

Separate cushions and pillows available. Please refer to the 'Spare Parts' section.



Fly SC9

Space Copenhagen 2014



Product no.	Upholstery	Base	Colli qty.	Lead time	Weight	PRICE EX. VAT (SEK)	PRICE INC. VAT (SEK)
134534A235A018A397	Hot Madison 094	Oiled Oak	1 pc	3-5 weeks	27.00 kg	10.740	13.425
134535A235A018A396	Hot Madison 093	Smoked Oiled Oak	1 pc	3-5 weeks	27.00 kg	10.740	13.425

Fabric gr.	Upholstery	Lead time	Weight	PRICE EX. VAT (SEK)	PRICE INC. VAT (SEK)
Fabric gr. 1	Grain, Hot Madison, Remix, Re-Wool	6-8 weeks	27.00 kg	11.936	14.920
Fabric gr. 2	Asator, Barnum, Canvas, Fiord	6-8 weeks	27.00 kg	13.128	16.410
Fabric gr. 3	Clay, Hallingdal, Mylla, Steelcut Quartet, Steelcut Trio	6-8 weeks	27.00 kg	13.724	17.155
Fabric gr. 4	Acca, Cifrado, Ecriture, Moss, Vidar	6-8 weeks	27.00 kg	14.324	17.905
Fabric gr. 5	Gentle, Karakorum, Sisu, Zade*	6-8 weeks	27.00 kg	16.712	20.890
Fabric gr. 6	Fuse, Tiger Mountain**	6-8 weeks	27.00 kg	18.500	23.125
COM	Fabric	6-8 weeks	27.00 kg	11.936	14.920

Product no.	Add on	Lead time	Weight	PRICE EX. VAT (SEK)	PRICE INC. VAT (SEK)
133021	Fly high legs - Oiled Oak (providing a seating height of 46cm / 18.1in)	Stock item	1.50 kg	948	1.185
133022	Fly high legs - Smoked Oiled Oak (providing a seating height of 46cm / 18.1in)	Stock item	1.50 kg	948	1.185

* Please be aware that patterns may not align at seams or edges

** Please be aware that the placement of the pattern may vary from piece to piece due to optimal usage of fabric when cutting. Patterns may not align at seams or edges

Frame	Variant
Oak	Oiled Oak, Smoked Oiled Oak

Material: Oiled oak base. HR foam & feather pillow.

Fabric usage: 1.8 meters based on 140cm roll.

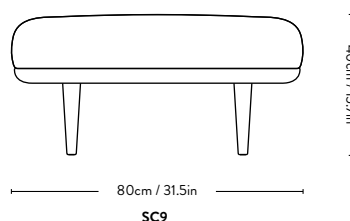
COM must be approved by &Tradition to ensure suitability for upholstery.

Fly SC9 is not available in leather.

Felt gliders installed as standard.



Made using FSC® certified wood, supporting responsible environmental, social and economical management of the world's forests. Visit www.fsc.org



Fly SC4 & SC5

Space Copenhagen 2013



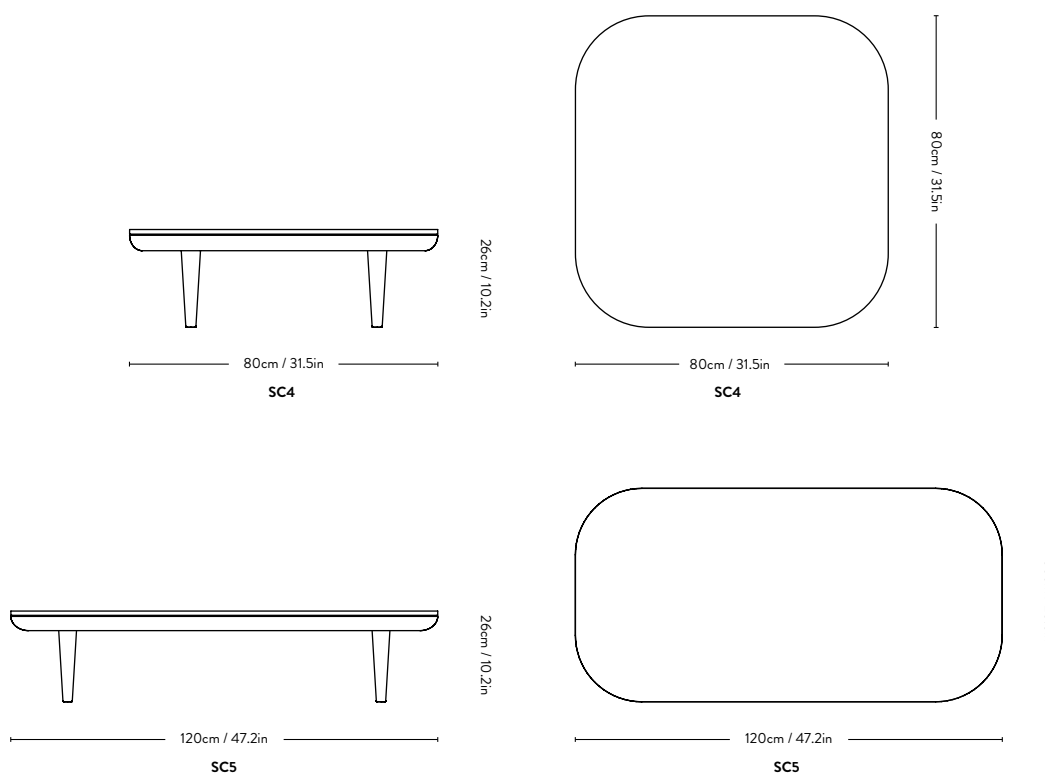
Product no.	Variant	Product code	Colli qty.	Lead time	Weight	PRICE EX. VAT (SEK)	PRICE INC. VAT (SEK)
133002A258	Oiled Oak base w. honed Bianco Carrara marble	SC4	1 pc	Stock item	37.00 kg	15.516	19.395
133003A336	Smoked Oiled Oak base w. honed Nero Marquina marble	SC4	1 pc	Stock item	37.00 kg	15.516	19.395
133006A258	Oiled Oak base w. honed Bianco Carrara marble	SC5	1 pc	Stock item	45.00 kg	16.712	20.890
133007A336	Smoked Oiled Oak base w. honed Nero Marquina marble	SC5	1 pc	Stock item	45.00 kg	16.712	20.890

Product no.	Add on	Lead time	Weight	PRICE EX. VAT (SEK)	PRICE INC. VAT (SEK)
133021	Fly high legs - Oiled Oak (providing a tabletop height of 32cm / 12.6in)	Stock item	1.50 kg	948	1.185
133022	Fly high legs - Smoked Oiled Oak (providing a tabletop height of 32cm / 12.6in)	Stock item	1.50 kg	948	1.185



Made using FSC® certified wood, supporting responsible environmental, social and economical management of the world's forests. Visit www.fsc.org

Material: Solid oiled oak base with marble table top.



Fly SC11



Space Copenhagen 2017

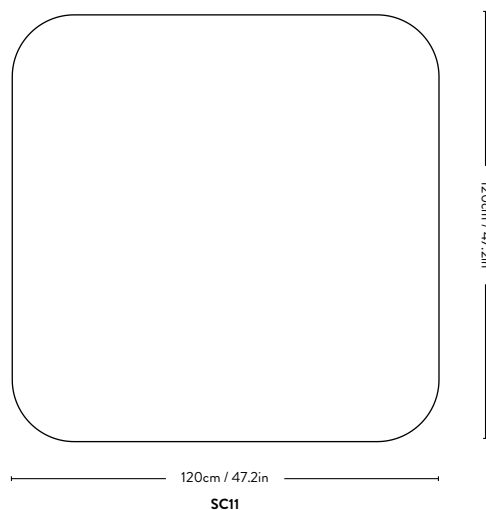


Product no.	Variant	Colli qty.	Lead time	Weight	PRICE EX. VAT (SEK)	PRICE INC. VAT (SEK)
133010A258	Oiled Oak base w. honed Bianco Carrara marble	1 pc	Stock item	102.00 kg	29.844	37.305
133011A336	Smoked Oiled Oak base w. honed Nero Marquina marble	1 pc	Stock item	102.00 kg	29.844	37.305



Made using FSC® certified wood, supporting responsible environmental, social and economical management of the world's forests. Visit www.fsc.org

Material: Solid oiled oak base with marble table top.



Sett LN11-LN13

Luca Nichetto

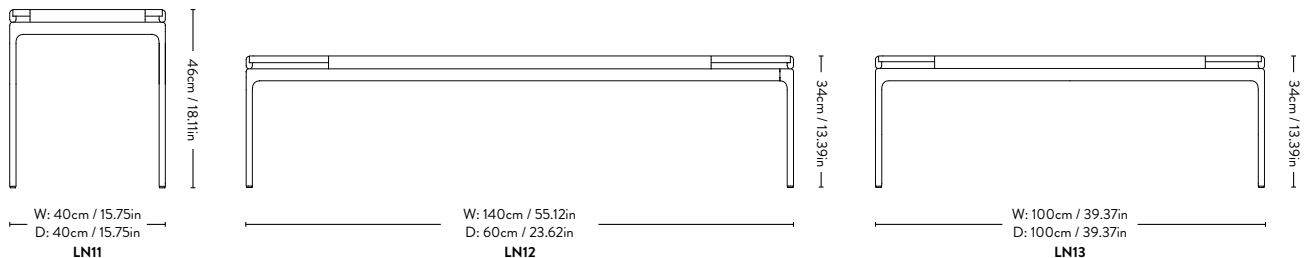
2024



Product no.	Product	Product code	Variant	Colli qty.	Lead time	Weight	PRICE EX. VAT (SEK)	PRICE INC. VAT (SEK)
133055A428	Sett side table	LN11	Smoked cast glass w. Dark Chrome	1 pc	Stock item	12.30 kg	10.740	13.425
133054A258	Sett side table	LN11	Bianco Carrera Marble w. Dark Chrome	1 pc	Stock item	10.30 kg	8.352	10.440
133054A427	Sett side table	LN11	Verde Guatemala Marble w. Dark Chrome	1 pc	Stock item	10.30 kg	8.352	10.440
133059A428	Sett coffee table	LN12	Smoked cast glass w. Dark Chrome	1 pc	Stock item	53.60 kg	22.680	28.350
133058A258	Sett coffee table	LN12	Bianco Carrera Marble w. Dark Chrome	1 pc	Stock item	44.60 kg	17.904	22.380
133058A427	Sett coffee table	LN12	Verde Guatemala Marble w. Dark Chrome	1 pc	Stock item	44.60 kg	17.904	22.380
133063A428	Sett coffee table	LN13	Smoked cast glass w. Dark Chrome	1 pc	Stock item	63.60 kg	23.876	29.845
133062A258	Sett coffee table	LN13	Bianco Carrera Marble w. Dark Chrome	1 pc	Stock item	51.60 kg	19.100	23.875
133062A427	Sett coffee table	LN13	Verde Guatemala Marble w. Dark Chrome	1 pc	Stock item	51.60 kg	19.100	23.875

Material: Die cast, aluminium with cast glass or marble table top

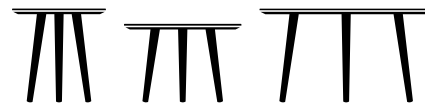
Spare parts available. Please refer to the 'Spare Parts' section.



In Between SK13, SK14 & SK15

Sami Kallio

2014



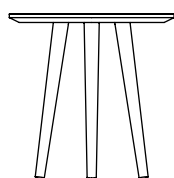
Product no.	Variant	Size	Product code	Colli qty.	Lead time	Weight	PRICE EX. VAT (SEK)	PRICE INC. VAT (SEK)
132973A003	Smoked Oiled Oak	Ø48cm, H:48cm	SK13	1 pc	Stock item	4.00 kg	2.980	3.725
132973A004	Oiled Oak	Ø48cm, H:48cm	SK13	1 pc	Stock item	4.00 kg	2.980	3.725
132973A002	Black Lacquered Oak	Ø48cm, H:48cm	SK13	1 pc	Stock item	4.00 kg	2.980	3.725
132974A003	Smoked Oiled Oak	Ø60cm, H:40cm	SK14	1 pc	Stock item	5.90 kg	3.936	4.920
132974A004	Oiled Oak	Ø60cm, H:40cm	SK14	1 pc	Stock item	5.90 kg	3.936	4.920
132974A002	Black Lacquered Oak	Ø60cm, H:40cm	SK14	1 pc	Stock item	5.90 kg	3.936	4.920
132975A003	Smoked Oiled Oak	Ø90cm, H:48cm	SK15	1 pc	Stock item	13.00 kg	5.368	6.710
132975A004	Oiled Oak	Ø90cm, H:48cm	SK15	1 pc	Stock item	13.00 kg	5.368	6.710
132975A002	Black Lacquered Oak	Ø90cm, H:48cm	SK15	1 pc	Stock item	13.00 kg	5.368	6.710



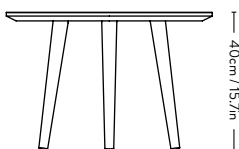
Made using FSC® certified wood, supporting responsible environmental, social and economical management of the world's forests. Visit www.fsc.org

Materials Variant

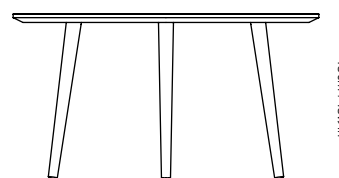
Table top	Solid Oak
Table legs	Solid Oak



Ø:48cm / 18.9in
SK13



Ø:60cm / 23.6in
SK14



Ø:90cm / 35.4in
SK15

In Between SK23 & SK24

Sami Kallio 2014



Product no.	Variant	Size	Product code	Colli qty.	Lead time	Weight	PRICE EX. VAT (SEK)	PRICE INC. VAT (SEK)
132976A002	Black Lacquered Oak	W: 110cm, D: 50cm, H: 48cm	SK23	1 pc	Stock item	11.30 kg	5.368	6.710
132976A004	Oiled Oak	W: 110cm, D: 50cm H: 48cm	SK23	1 pc	Stock item	11.30 kg	5.368	6.710
132976A003	Smoked Oiled Oak	W: 110cm, D: 50cm H: 48cm	SK23	1 pc	Stock item	11.30 kg	5.368	6.710
132977A002	Black Lacquered Oak	W: 90cm, D: 90cm, H: 40cm	SK24	1 pc	Stock item	16.80 kg	5.604	7.005
132977A004	Oiled Oak	W: 90cm, D: 90cm, H: 40cm	SK24	1 pc	Stock item	16.80 kg	5.604	7.005
132977A003	Smoked Oiled Oak	W: 90cm, D: 90cm, H: 40cm	SK24	1 pc	Stock item	16.80 kg	5.604	7.005



Made using FSC® certified wood, supporting responsible environmental, social and economical management of the world's forests. Visit www.fsc.org

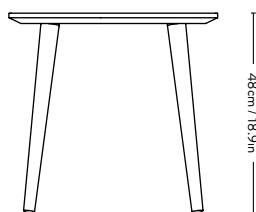
Materials Variant

Table top	Solid Oak
Table legs	Solid Oak



W: 110cm / 43.3in

SK23



D: 50cm / 19.7in

48cm / 18.9in



90cm / 35.4in

SK24

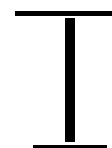
40cm / 15.7in

In Between SK16

Sami Kallio



2014



Product no.	Table top	Size	Base	Base size	Colli qty.	Lead time	Weight	PRICE EX. VAT (SEK)	PRICE INC. VAT (SEK)
132641A382A081	Nero Ingo Fenix Nano	60x70cm,	Black	Ø45 cm /	1 pc	Stock item	21.00 kg	5.604	7.005
132642A382A081	Laminate (0720)	H:73cm	Bronzed	5 cm	1 pc	Stock item	21.00 kg	5.604	7.005
132639A336	Nero Marquina	60x70cm,	Black	Ø45 cm /	1 pc	Stock item	45.50 kg	8.352	10.440
132640A336		H:73cm	Bronzed	5 cm	1 pc	Stock item	45.50 kg	8.352	10.440
132639A258	Bianco Carrara	60x70cm,	Black	Ø45 cm /	1 pc	Stock item	45.50 kg	8.352	10.440
132640A258		H:73cm	Bronzed	5 cm	1 pc	Stock item	45.50 kg	8.352	10.440
132639A427	Verde Guatemala	60x70cm,	Black	Ø45 cm /	1 pc	Stock item	45.50 kg	8.352	10.440
132640A427		H:73cm	Bronzed	5 cm	1 pc	Stock item	45.50 kg	8.352	10.440
132669	Forbo Linoleum	60x70cm,	Black	Ø45 cm /	1 pc	8 weeks		6.560	8.200
132670		H:73cm	Bronzed	5 cm	1 pc	8 weeks		6.560	8.200
132670	Fenix NTM nano laminate	60x70cm,	Black	Ø45 cm /	1 pc	8 weeks		6.800	8.500
132642		H:73cm	Bronzed	5 cm	1 pc	8 weeks		6.800	8.500
132671	Oak veneer	60x70cm,	Black	Ø45 cm /	1 pc	8 weeks		7.036	8.795
132672		H:73cm	Bronzed	5 cm	1 pc	8 weeks		7.036	8.795

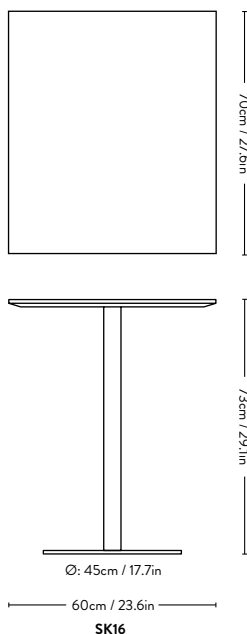


Fenix Nano Laminate made using FSC® certified wood, supporting responsible environmental, social and economical management of the world's forests. Visit www.fsc.org

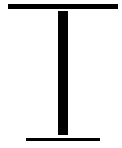
Materials Variant

Table top Forbo Linoleum, Fenix NTM nano laminate, Oak veneer, Nero Marquina, Bianco Carrara or Verde Guatemala Marble
Center base Matt Black, Bronzed Metal

Felt gliders installed as standard.
Bevelled table top edge.



In Between ^{SK17} Sami Kallio 2014



Product no.	Table top	Size	Base	Base size	Colli qty.	Lead time	Weight	PRICE EX. VAT (SEK)	PRICE INC. VAT (SEK)
132643A382A081	Nero Ingo Fenix Nano	Ø60cm,	Black	Ø45 cm /	1 pc	Stock item	21.00 kg	5.604	7.005
132644A382A081	Laminate (0720)	H:73cm	Bronzed	5 cm	1 pc	Stock item	21.00 kg	5.604	7.005
132651	Nero Marquina, Bianco	Ø60cm,	Black	Ø45 cm /	1 pc	Stock item		8.352	10.440
132652	Carrara, Verde Guatemala	H:73cm	Bronzed	5 cm	1 pc	Stock item		8.352	10.440
132653	Nero Marquina, Bianco	Ø:70cm	Black	Ø45 cm /	1 pc	Stock item		9.548	11.935
132654	Carrara, Verde Guatemala	H:73cm	Bronzed	5 cm	1 pc	Stock item		9.548	11.935
	Forbo Linoleum	Ø:60-70cm,	Black	Ø45 cm /	1 pc	8 weeks		6.560	8.200
		H:73cm	Bronzed	5 cm	1 pc	8 weeks		6.560	8.200
	Fenix NTM nano laminate	Ø:60-70cm,	Black	Ø45 cm /	1 pc	8 weeks		6.800	8.500
		H:73cm	Bronzed	5 cm	1 pc	8 weeks		6.800	8.500
	Oak veneer	Ø:60-70cm,	Black	Ø45 cm /	1 pc	8 weeks		7.036	8.795
		H:73cm	Bronzed	5 cm	1 pc	8 weeks		7.036	8.795

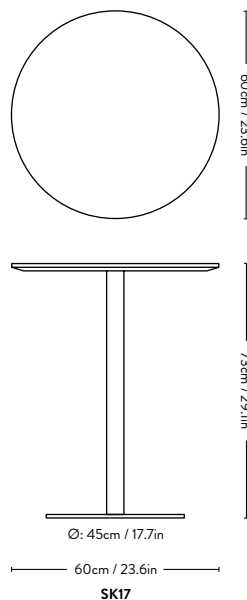


Fenix Nano Laminate made using FSC® certified wood, supporting responsible environmental, social and economical management of the world's forests. Visit www.fsc.org

Materials Variant

Table top Forbo Linoleum, Fenix NTM nano laminate, Oak veneer, Nero Marquina, Bianco Carrara or Verde Guatemala Marble
Center base Matt Black, Bronzed Metal

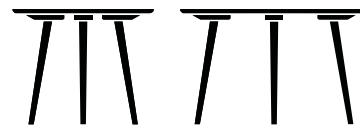
Felt gliders installed as standard.
Bevelled table top edge.



In Between SK3 & SK4

Sami Kallio

2014



Product no.	Variant	Size	Product code	Base	Colli qty.	Lead time	Weight	PRICE EX. VAT (SEK)	PRICE INC. VAT (SEK)
132849A003	Smoked Oiled Oak	Ø90cm	SK3	3 legs	1 pc	Stock item	19.00 kg	8.592	10.740
132849A004	Oiled Oak	Ø90cm	SK3	3 legs	1 pc	Stock item	19.00 kg	8.592	10.740
132849A002	Black Lacquered Oak	Ø90cm	SK3	3 legs	1 pc	Stock item	19.00 kg	8.592	10.740
132849A001	Oiled Walnut	Ø90cm	SK3	4 legs	1 pc	Stock item	19.00 kg	15.516	19.395
132850A003	Smoked Oiled Oak	Ø120cm	SK4	4 legs	1 pc	Stock item	31.00 kg	13.724	17.155
132850A004	Oiled Oak	Ø120cm	SK4	4 legs	1 pc	Stock item	31.00 kg	13.724	17.155
132850A002	Black Lacquered Oak	Ø120cm	SK4	4 legs	1 pc	Stock item	31.00 kg	13.724	17.155
132850A001	Oiled Walnut	Ø120cm	SK4	4 legs	1 pc	Stock item	31.00 kg	23.876	29.845



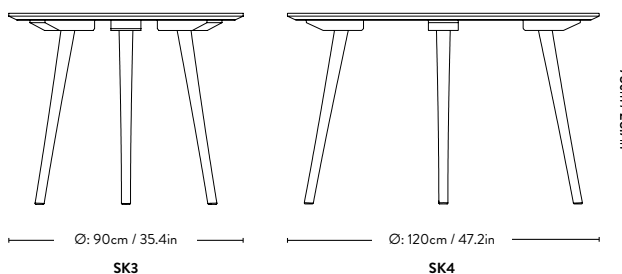
Smoked Oiled Oak, Oiled Oak and Black Laquered Oak made using FSC® certified wood, supporting responsible environmental, social and economical management of the world's forests. Visit www.fsc.org

Materials Variant

Table top	Solid Oak or Solid Walnut
Table legs	Solid Oak or Solid Walnut

Adjustable gliders installed as standard.

Bevelled table top edge.



In Between Made to order

Sami Kallio

2014

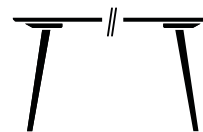


Table top	Base	Size	Base	Lead time	PRICE EX. VAT (SEK)	PRICE INC. VAT (SEK)
Forbo Linoleum	Smoked Oak, Oak, Black Lacquered Oak	Ø:80-90cm, H:73cm	3 legs	8 weeks	11.336	14.170
		Ø:91-100cm, H:73cm	3 legs		11.336	14.170
		Ø:101-110cm, H:73cm	4 legs		11.936	14.920
		Ø:111-120cm, H:73cm	4 legs		13.128	16.410
		Ø:121-130cm, H:73cm	4 legs		15.516	19.395
		Ø:131-140cm, H:73cm	4 legs		17.904	22.380
Fenix NTM nano laminate	Smoked Oak, Oak, Black Lacquered Oak	Ø:80-90cm, H:73cm	3 legs	8 weeks	11.936	14.920
		Ø:91-100cm, H:73cm	3 legs		12.532	15.665
		Ø:101-110cm, H:73cm	4 legs		13.128	16.410
		Ø:111-120cm, H:73cm	4 legs		14.324	17.905
		Ø:121-130cm, H:73cm	4 legs		16.712	20.890
		Ø:131-140cm, H:73cm	4 legs		19.100	23.875
Oak veneer	Smoked Oak, Oak, Black Lacquered Oak	Ø:80-90cm, H:73cm	3 legs	8 weeks	11.936	14.920
		Ø:91-100cm, H:73cm	3 legs		13.128	16.410
		Ø:101-110cm, H:73cm	4 legs		13.724	17.155
		Ø:111-120cm, H:73cm	4 legs		14.920	18.650
		Ø:121-130cm, H:73cm	4 legs		17.308	21.635
		Ø:131-140cm, H:73cm	4 legs		19.696	24.620
Ø:141-150cm, H:73cm	4 legs		20.888	26.110		

Product no.	Variant	Lead time	PRICE EX. VAT (SEK)	PRICE INC. VAT (SEK)
	Cut out for cable management	8 weeks	592	740
133353	Cable access set / Black	8 weeks	3.100	3.875
133354	Cable access set / Silver	8 weeks	3.100	3.875



EU Ecolabel certified, validating high standards of durability, circular design, and responsible use of chemicals. Please contact our sales team for a list of EU Ecolabel compliant combinations.

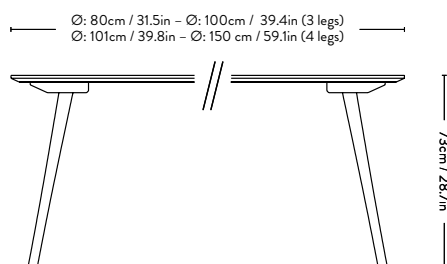
Table top materials Variant

MDF Table top	Forbo Linoleum, Fenix NTM nano laminate, Oak Veneer in Smoked, Clear or Black Lacquer.
Legs	Clear Lacquered oak, Smoked Lacquered or Black Lacquered Oak.

Edge material: ABS edges for linolium and laminate, Clear Lacquered oak, Black Lacquered Oak or Smoked Lacquered Oak for oak veneer.

*Please note that the cable access is not preinstalled upon delivery

Adjustable gliders installed as standard.
Bevelled table top edge.



In Between SK5 & SK6

Sami Kallio

2014



Product no.	Variant	Size	Product code	Colli qty.	Lead time	Weight	PRICE EX. VAT (SEK)	PRICE INC. VAT (SEK)
132851A361A085	Smoked Lacquered Oak	200x90cm	SK5	1 pc	Stock item	52.40 kg	15.516	19.395
132852A277A086	Lacquered Oak	200x90cm	SK5	1 pc	Stock item	52.40 kg	15.516	19.395
132853A262A087	Black Lacquered Oak	200x90cm	SK5	1 pc	Stock item	52.40 kg	15.516	19.395
132854A361A085	Smoked Lacquered Oak	250x100cm	SK6	1 pc	Stock item	67.10 kg	17.904	22.380
132855A277A086	Lacquered Oak	250x100cm	SK6	1 pc	Stock item	67.10 kg	17.904	22.380
132856A262A087	Black Lacquered Oak	250x100cm	SK6	1 pc	Stock item	67.10 kg	17.904	22.380



EU Ecolabel certified, validating high standards of durability, circular design, and responsible use of chemicals. Please contact our sales team for a list of EU Ecolabel compliant combinations.



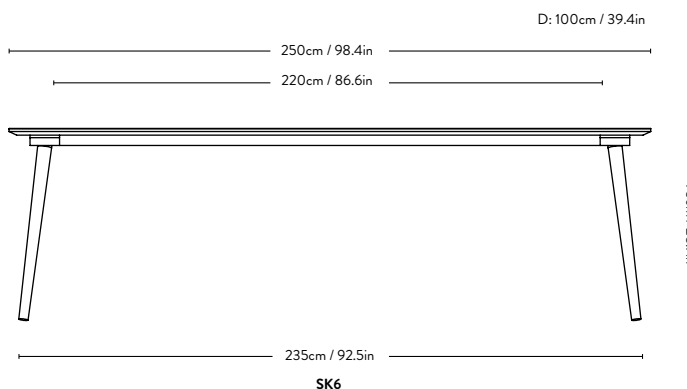
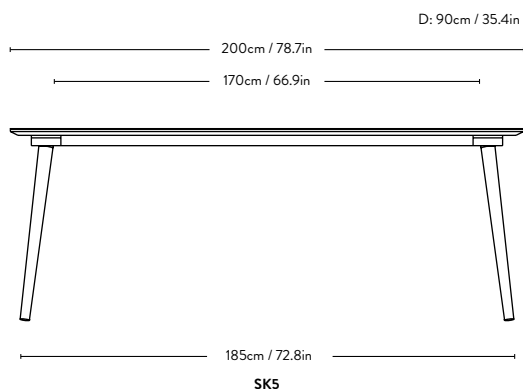
Made using FSC® certified wood, supporting responsible environmental, social and economical management of the world's forests. Visit www.fsc.org

Materials Variant

Table top	Oak Veneer on both sides and edges
Table legs	Solid Oak

Adjustable gliders installed as standard.

Bevelled table top edge.



In Between Made to order

Sami Kallio

2014

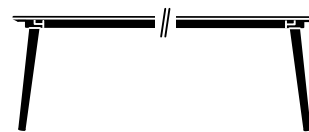


Table top	Base	Size	Lead time	PRICE EX. VAT (SEK)	PRICE INC. VAT (SEK)	
Forbo Linoleum	Smoked Oak, Oak, Black Lacquered Oak	L: 160-200cm, W: 90cm, H: 73cm	8 weeks	17.428	21.785	
		L: 201-250cm x W: 90cm x H: 73cm		22.084	27.605	
		L: 251-300cm x W: 90cm x H: 73cm		24.472	30.590	
			L: 201-250cm, W: 100cm, H: 73cm	8 weeks	22.084	27.605
			L: 251-300cm x W: 100cm x H: 73cm		25.664	32.080
Fenix NTM nano laminate	Smoked Oak, Oak, Black Lacquered Oak	L: 160-200cm, W: 90cm, H: 73cm	8 weeks	18.620	23.275	
		L: 201-250cm x W: 90cm x H: 73cm		22.680	28.350	
		L: 251-300cm x W: 90cm x H: 73cm		25.068	31.335	
			L: 201-250cm, W: 100cm, H: 73cm	8 weeks	23.276	29.095
			L: 251-300cm x W: 100cm x H: 73cm		26.264	32.830
Oak veneer	Smoked Oak, Oak, Black Lacquered Oak	L: 160-200cm, W: 90cm, H: 73cm	8 weeks	19.100	23.875	
		L: 201-250cm x W: 90cm x H: 73cm		23.276	29.095	
		L: 251-300cm x W: 90cm x H: 73cm		25.664	32.080	
			L: 201-250cm, W: 100cm, H: 73cm	8 weeks	23.876	29.845
			L: 251-300cm x W: 100cm x H: 73cm		26.860	33.575
Product no.	Variant		Lead time	PRICE EX. VAT (SEK)	PRICE INC. VAT (SEK)	
	Cut out for cable management		8 weeks	592	740	
133353	Cable access set / Black		8 weeks	3.100	3.875	
133354	Cable access set / Silver		8 weeks	3.100	3.875	



EU Ecolabel certified, validating high standards of durability, circular design, and responsible use of chemicals. Please contact our sales team for a list of EU Ecolabel compliant combinations.

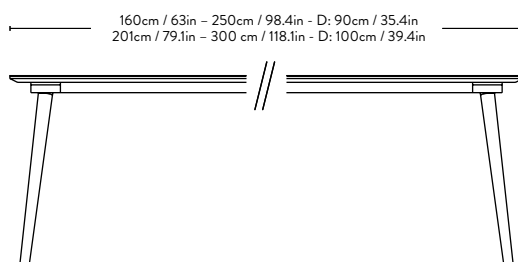
Table top materials	Variant
Forbo Linoleum	Black (4023), Grey (4132), Beige (4176)
Fenix NTM nano laminate	Nero Ingo (0720), Grigio Bromo (0724), Beige Luxor (0719), Bianca Male (0029)
Oak veneer	Clear Lacquered oak, Smoked Lacquered, Black Lacquered Oak

Edge material: ABS edges for linolium and laminate, Clear Lacquered oak, Black Lacquered Oak or Smoked Lacquered Oak for oak veneer.

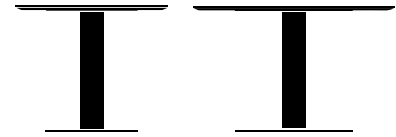
Legs: Clear Lacquered oak, Smoked Lacquered or Black Lacquered Oak.

*Please note that the cable access is not preinstalled upon delivery

Adjustable gliders installed as standard.
Bevelled table top edge.



In Between ^{SK11 & SK12} Sami Kallio 2014



Product no.	Table top	Table top size	Base	Base size	Product code	Colli qty.	Lead time	Weight	PRICE EX. VAT (SEK)	PRICE INC. VAT (SEK)
132635A003 132636A003	Smoked Oiled Oak	Ø90cm	Black Bronzed	Ø55 cm / 10 cm	SK11	1 pc	Stock item	46.60 kg	9.548	11.935
132635A004 132636A004	Oiled Oak	Ø90cm	Black Bronzed	Ø55 cm / 10 cm	SK11	1 pc	Stock item	46.60 kg	9.548	11.935
132635A002 132636A002	Black Lacquered Oak	Ø90cm	Black Bronzed	Ø55 cm / 10 cm	SK11	1 pc	Stock item	46.60 kg	9.548	11.935
132635A001 132636A001	Oiled Walnut	Ø90cm	Black Bronzed	Ø55 cm / 10 cm	SK11	1 pc	Stock item	46.60 kg	15.516	19.395
132645A336 132646A336	Nero Marquina	Ø90cm	Black Bronzed	Ø55 cm / 10 cm	SK11	1 pc	Stock item	71.00 kg	13.128	16.410
132645A258 132646A258	Bianco Carrara	Ø90cm	Black Bronzed	Ø55 cm / 10 cm	SK11	1 pc	Stock item	71.00 kg	13.128	16.410
132645A427 132646A427	Verde Guatemala	Ø90cm	Black Bronzed	Ø55 cm / 10 cm	SK11	1 pc	Stock item	71.00 kg	13.128	16.410
132637A003 132638A003	Smoked Oiled Oak	Ø120cm	Black Bronzed	Ø70 cm / 15 cm	SK12	1 pc	Stock item	68.50 kg	15.516	19.395
132637A004 132638A004	Oiled Oak	Ø120cm	Black Bronzed	Ø70 cm / 15 cm	SK12	1 pc	Stock item	68.50 kg	15.516	19.395
132637A002 132638A002	Black Lacquered Oak	Ø120cm	Black Bronzed	Ø70 cm / 15 cm	SK12	1 pc	Stock item	68.50 kg	15.516	19.395
132637A001 132638A001	Oiled Walnut	Ø120cm	Black Bronzed	Ø70 cm / 15 cm	SK12	1 pc	Stock item	68.50 kg	23.872	29.840
132647A336 132648A336	Nero Marquina	Ø120cm	Black Bronzed	Ø70 cm / 15 cm	SK12	1 pc	Stock item	117.00 kg	21.488	26.860
132647A258 132648A258	Bianco Carrara	Ø120cm	Black Bronzed	Ø70 cm / 15 cm	SK12	1 pc	Stock item	117.00 kg	21.488	26.860
132647A427 132648A427	Verde Guatemala	Ø120cm	Black Bronzed	Ø70 cm / 15 cm	SK12	1 pc	Stock item	117.00 kg	21.488	26.860

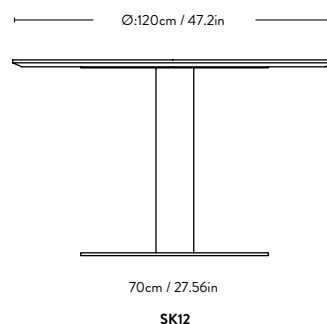
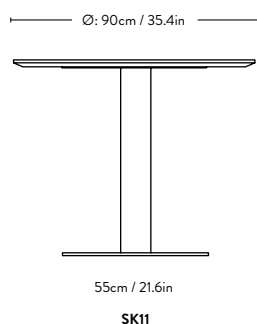


Smoked Oiled Oak, Oiled Oak and Black Lacquered Oak made using made using FSC® certified wood, supporting responsible environmental, social and economical management of the world's forests. Visit www.fsc.org

Materials Variant

Table top Solid Oak, Solid Walnut, Nero Marquina, Bianco Carrara or Verde Guatemala Marble
Center base Matt Black, Bronzed Metal

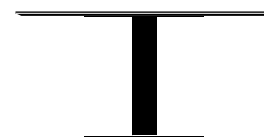
Felt gliders installed as standard.
Bevelled table top edge.



In Between SK20 & Made to order

Sami Kallio

2014



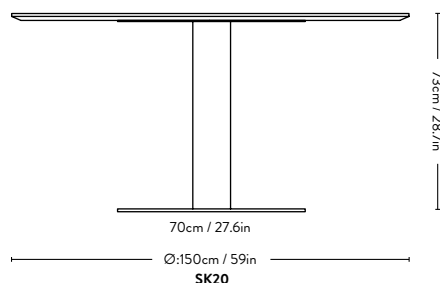
Product no.	Table top	Table top size	Base	Base size	Colli qty.	Lead time	Weight	PRICE EX. VAT (SEK)	PRICE INC. VAT (SEK)
132649A336 132650A336	Nero Marquina	Ø150cm	Black Bronzed	Ø70 cm / 15 cm	1 pc	Stock item	152.00 kg	32.828 32.828	41.035 41.035
132649A258 132650A258	Bianco Carrara	Ø150cm	Black Bronzed	Ø70 cm / 15 cm	1 pc	Stock item	152.00 kg	32.828 32.828	41.035 41.035
132649A427 132650A427	Verde Guatemala	Ø150cm	Black Bronzed	Ø70 cm / 15 cm	1 pc	Stock item	152.00 kg	32.828 32.828	41.035 41.035

Product no.	Table top	Table top size	Base	Base size	Lead time	PRICE EX. VAT (SEK)	PRICE INC. VAT (SEK)
132655 132656	Nero Marquina, Bianco Carrara, Verde Guatemala	Ø80cm	Black Bronzed	Ø55cm / 10cm	8-10 weeks	11.336 11.336	14.170 14.170
132657 132658	Nero Marquina, Bianco Carrara, Verde Guatemala	Ø100cm	Black Bronzed	Ø55cm / 10cm	8-10 weeks	16.112 16.112	20.140 20.140
132659 132660	Nero Marquina, Bianco Carrara, Verde Guatemala	Ø110cm	Black Bronzed	Ø55cm / 10cm	8-10 weeks	25.068 25.068	31.335 31.335
132661 132662	Nero Marquina, Bianco Carrara, Verde Guatemala	Ø130cm	Black Bronzed	Ø70cm / 14cm	8-10 weeks	28.652 28.652	35.815 35.815
132663 132662	Nero Marquina, Bianco Carrara, Verde Guatemala	Ø140cm	Black Bronzed	Ø70cm / 14cm	8-10 weeks	11.336 11.336	14.170 14.170

Materials Variant

Table top Nero Marquina, Bianco Carrara or Verde Guatemala Marble
Center base Matt Black, Bronzed Metal

Felt gliders installed as standard.
Bevelled table top edge.



In Between Made to order

Sami Kallio

2014

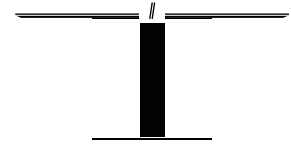


Table top	Size	Base	Base size	Lead time	PRICE EX. VAT (SEK)	PRICE INC. VAT (SEK)
Forbo Linoleum	Ø:71-90cm, H:73cm	Black, Bronzed	Ø55 cm / 10 cm	8 weeks	9.548	11.935
	Ø:91-100cm, H:73cm		Ø55 cm / 10 cm	8 weeks	11.336	14.170
	Ø:101-110cm, H:73cm		Ø55 cm / 10 cm	8 weeks	11.936	14.920
	Ø:111-120cm, H:73cm		Ø70 cm / 15 cm	8 weeks	13.128	16.410
	Ø:121-130cm, H:73cm		Ø70 cm / 15 cm	8 weeks	15.516	19.395
	Ø:131-140cm, H:73cm		Ø70 cm / 15 cm	8 weeks	17.904	22.380
	Ø:141-150cm, H:73cm		Ø70 cm / 15 cm	8 weeks	19.100	23.875
Fenix NTM nano laminate	Ø:71-90cm, H:73cm	Black, Bronzed	Ø55 cm / 10 cm	8 weeks	10.144	12.680
	Ø:91-100cm, H:73cm		Ø55 cm / 10 cm	8 weeks	12.532	15.665
	Ø:101-110cm, H:73cm		Ø55 cm / 10 cm	8 weeks	13.128	16.410
	Ø:111-120cm, H:73cm		Ø70 cm / 15 cm	8 weeks	14.324	17.905
	Ø:121-130cm, H:73cm		Ø70 cm / 15 cm	8 weeks	16.712	20.890
	Ø:131-140cm, H:73cm		Ø70 cm / 15 cm	8 weeks	19.100	23.875
	Ø:141-150cm, H:73cm		Ø70 cm / 15 cm	8 weeks	20.292	25.365
Oak veneer	Ø:71-90cm, H:73cm	Black, Bronzed	Ø55 cm / 10 cm	8 weeks	10.740	13.425
	Ø:91-100cm, H:73cm		Ø55 cm / 10 cm	8 weeks	13.128	16.410
	Ø:101-110cm, H:73cm		Ø55 cm / 10 cm	8 weeks	13.724	17.155
	Ø:111-120cm, H:73cm		Ø70 cm / 15 cm	8 weeks	14.920	18.650
	Ø:121-130cm, H:73cm		Ø70 cm / 15 cm	8 weeks	17.904	22.380
	Ø:131-140cm, H:73cm		Ø70 cm / 15 cm	8 weeks	19.696	24.620
	Ø:141-150cm, H:73cm		Ø70 cm / 15 cm	8 weeks	20.888	26.110



Made using FSC® certified wood, supporting responsible environmental, social and economical management of the world's forests. Visit www.fsc.org

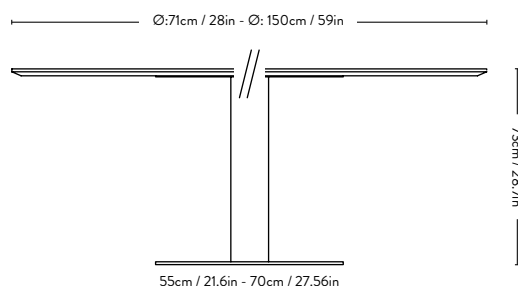
Materials

Variant

MDF Table top	Forbo Linoleum, Fenix NTM nano laminate, Oak Veneer in Smoked, Clear or Black Lacquer.
Center base	Matt Black, Bronzed Metal

Edge material: ABS edges for linolium and laminate, Clear Lacquered oak, Black Lacquered Oak or Smoked Lacquered Oak for oak veneer.

Felt gliders installed as standard.
Bevelled table top edge.



In Between Made to order

Sami Kallio

2014



Product no.	Table top	Size	Base	Base size	Lead time	PRICE EX. VAT (SEK)	PRICE INC. VAT (SEK)
132673	Forbo Linoleum	L:120cm, W:60cm,	Black	Ø45 cm / 5 cm **	8 weeks	10.736	13.420
132674		H:73cm	Bronzed		8 weeks	10.736	13.420
132679	Forbo Linoleum	L:140cm, W:70cm,	Black	Ø55 cm / 10 cm **	8 weeks	11.812	14.765
132680		H:73cm	Bronzed		8 weeks	11.812	14.765
	Forbo Linoleum	L:160-200cm, W:90cm,	Black	Ø70 cm / 15 cm **	8 weeks	17.904	22.380
		H:73cm	Bronzed		8 weeks	17.904	22.380
	Forbo Linoleum	L:201-250cm, W:100cm,	Black	Ø70 cm / 15 cm **	8 weeks	22.084	27.605
		H:73cm	Bronzed		8 weeks	22.084	27.605
132677	Fenix NTM nano laminate	L:120cm, W:60cm,	Black	Ø45 cm / 5 cm **	8 weeks	10.976	13.720
132678		H:73cm	Bronzed		8 weeks	10.976	13.720
132683	Fenix NTM nano laminate	L:140cm, W:70cm,	Black	Ø55 cm / 10 cm **	8 weeks	12.052	15.065
132684		H:73cm	Bronzed		8 weeks	12.052	15.065
	Fenix NTM nano laminate	L:160-200cm, W:90cm,	Black	Ø70 cm / 15 cm **	8 weeks	19.100	23.875
		H:73cm	Bronzed		8 weeks	19.100	23.875
	Fenix NTM nano laminate	L:201-250cm, W:100cm,	Black	Ø70 cm / 15 cm **	8 weeks	23.276	29.095
		H:73cm	Bronzed		8 weeks	23.276	29.095
132675	Oak veneer	L:120cm, W:60cm,	Black	Ø45 cm / 5 cm **	8 weeks	11.216	14.020
132676		H:73cm	Bronzed		8 weeks	11.216	14.020
132681	Oak veneer	L:140cm, W:70cm,	Black	Ø55 cm / 10 cm **	8 weeks	12.528	15.660
132682		H:73cm	Bronzed		8 weeks	12.528	15.660
	Oak veneer	L:160-200cm, W:90cm,	Black	Ø70 cm / 15 cm **	8 weeks	19.696	24.620
		H:73cm	Bronzed		8 weeks	19.696	24.620
	Oak veneer	L:201-250cm, W:100cm,	Black	Ø70 cm / 15 cm **	8 weeks	23.876	29.845
		H:73cm	Bronzed		8 weeks	23.876	29.845



Made using FSC® certified wood, supporting responsible environmental, social and economical management of the world's forests. Visit www.fsc.org

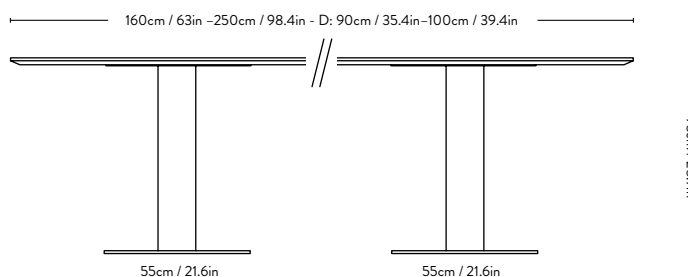
Table top materials Variant

MDF Table top Forbo Linoleum, Fenix NTM nano laminate, Oak Veneer in Smoked, Clear or Black Lacquer.
 Legs Clear Lacquered oak, Smoked Lacquered or Black Lacquered Oak.

Edge material: ABS edges for linolium and laminate, Clear Lacquered oak, Black Lacquered Oak or Smoked Lacquered Oak for oak veneer.

**Two Columns

Felt gliders installed as standard.
 Bevelled table top edge.



In Between Made to order

Sami Kallio

2014

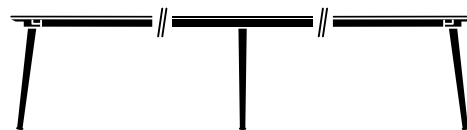


Table top	Base	Size	Lead time	PRICE EX. VAT (SEK)	PRICE INC. VAT (SEK)					
Forbo Linoleum	Smoked Oak, Oak, Black Oak	L: 301-400 x W:90 x H73 cm	8 weeks	31.040	38.800					
		L: 401-500 x W:90 x H73 cm		36.712	45.890					
		L: 301-400 x W:100 x H73 cm	8 weeks	37.008	46.260					
		L: 401-500 x W:100 x H73 cm		44.172	55.215					
		L: 301-400 x W:110 x H73 cm	8 weeks	42.264	52.830					
		L: 401-500 x W:110 x H73 cm		49.664	62.080					
		L: 301-400 x W:120 x H73 cm	8 weeks	46.560	58.200					
		L: 401-500 x W:120 x H73 cm		55.336	69.170					
		Fenix NTM nano laminate	Smoked Oak, Oak, Black Oak	L: 301-400 x W:90 x H73 cm	8 weeks	31.636	39.545			
				L: 401-500 x W:90 x H73 cm		37.904	47.380			
				L: 301-400 x W:100 x H73 cm	8 weeks	38.204	47.755			
				L: 401-500 x W:100 x H73 cm		45.368	56.710			
L: 301-400 x W:110 x H73 cm	8 weeks			43.456	54.320					
L: 401-500 x W:110 x H73 cm				50.860	63.575					
L: 301-400 x W:120 x H73 cm	8 weeks			47.756	59.695					
L: 401-500 x W:120 x H73 cm				56.652	70.815					
Oak veneer	Smoked Oak, Oak, Black Oak			L: 301-400 x W:90 x H73 cm	8 weeks	32.232	40.290			
				L: 401-500 x W:90 x H73 cm		38.800	48.500			
				L: 301-400 x W:100 x H73 cm	8 weeks	39.396	49.245			
				L: 401-500 x W:100 x H73 cm		46.560	58.200			
		L: 301-400 x W:110 x H73 cm	8 weeks	44.772	55.965					
		L: 401-500 x W:110 x H73 cm		52.232	65.290					
		L: 301-400 x W:120 x H73 cm	8 weeks	50.144	62.680					
		L: 401-500 x W:120 x H73 cm		57.904	72.380					
		Product no.	Variant		Lead time	PRICE EX. VAT (SEK)	PRICE INC. VAT (SEK)			
						133353	Cut out for cable management	8 weeks	592	740
						133353	Cable access set / Black	8 weeks	3.100	3.875
		133354	Cable access set / Silver	8 weeks	3.100	3.875				



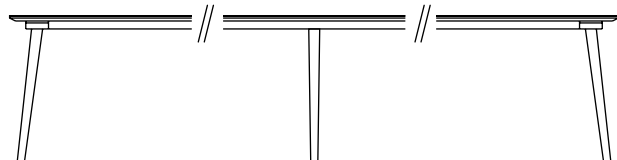
Veneer and Fenix Nano Laminate made using FSC® certified wood, supporting responsible environmental, social and economical management of the world's forests. Visit www.fsc.org

Table top materials	Variant
MDF Table top	Forbo Linoleum, Fenix NTM nano laminate, Oak Veneer in Smoked, Clear or Black Lacquer.
Legs	Clear Lacquered oak, Smoked Lacquered or Black Lacquered Oak.

Edge material: ABS edges for linolium and laminate, Clear Lacquered oak, Black Lacquered Oak or Smoked Lacquered Oak for oak veneer.

*Please note that table tops over 300cm in length are comprised of 2 parts
 *Please note that the cable access is not preinstalled upon delivery

W: 301cm / 118.5in - 500cm / 196.9in -
 D: 90cm / 35.4in - 120cm / 47.2in



Adjustable gliders installed as standard.
 Bevelled table top edge.

In Between ^{SK21} Sami Kallio 2014



Product no.	Table top	Size	Base	Base size	Colli qty.	Lead time	Weight	PRICE EX. VAT (SEK)	PRICE INC. VAT (SEK)
132747A382A081 132748A382A081	Nero Ingo Fenix Nano Laminate (0720)	60x70cm - Bar table	Black Bronzed	Ø45 cm / 5 cm	1 pc	Stock item	22.00 kg	5.844 5.844	7.305 7.305
132753 132754	Forbo Linoleum	L:60cm, W:70cm, H:102cm	Black Bronzed	Ø45 cm / 5 cm	1 pc	8 weeks		6.800 6.800	8.500 8.500
132759 132760	Forbo Linoleum	L:120cm, W:60cm, H:102cm	Black Bronzed	Ø45 cm / 5 cm**	1 pc	8 weeks		11.216 11.216	14.020 14.020
132765 132766	Forbo Linoleum	L:140cm, W:70cm, H:102cm	Black Bronzed	Ø45 cm / 5 cm**	1 pc	8 weeks		12.292 12.292	15.365 15.365
132747 132748	Fenix NTM nano laminate	L:60cm, W:70cm, H:102cm	Black Bronzed	Ø45 cm / 5 cm	1 pc	8 weeks		7.040 7.040	8.800 8.800
132763 132764	Fenix NTM nano laminate	L:120cm, W:60cm, H:102cm	Black Bronzed	Ø45 cm / 5 cm**	1 pc	8 weeks		11.456 11.456	14.320 14.320
132769 132770	Fenix NTM nano laminate	L:140cm, W:70cm, H:102cm	Black Bronzed	Ø45 cm / 5 cm**	1 pc	8 weeks		12.532 12.532	15.665 15.665
132755 132756	Oak veneer	L:60cm, W:70cm, H:102cm	Black Bronzed	Ø45 cm / 5 cm	1 pc	8 weeks		7.276 7.276	9.095 9.095
132761 132762	Oak veneer	L:120cm, W:60cm, H:102cm	Black Bronzed	Ø45 cm / 5 cm**	1 pc	8 weeks		11.696 11.696	14.620 14.620
132767 132768	Oak veneer	L:140cm, W:70cm, H:102cm	Black Bronzed	Ø45 cm / 5 cm**	1 pc	8 weeks		13.008 13.008	16.260 16.260



Fenix Nano Laminate made using FSC® certified wood, supporting responsible environmental, social and economical management of the world's forests. Visit www.fsc.org

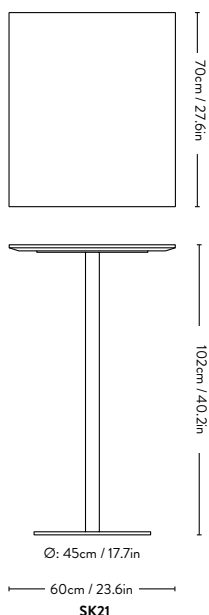
Table top materials Variant

MDF Table top	Forbo Linoleum, Fenix NTM nano laminate, Oak Veneer in Smoked, Clear or Black Lacquer.
Legs	Clear Lacquered oak, Smoked Lacquered or Black Lacquered Oak.

Edge material: ABS edges for linolium and laminate, Clear Lacquered oak, Black Lacquered Oak or Smoked Lacquered Oak for oak veneer.

**Two Columns

Felt gliders installed as standard.
Bevelled table top edge.

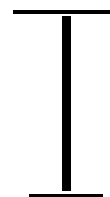


In Between SK22

Sami Kallio



2014



Product no.	Table top	Size	Base	Base size	Colli qty.	Lead time	Weight	PRICE EX. VAT (SEK)	PRICE INC. VAT (SEK)
132751A382A081	Nero Ingo Fenix Nano	Ø60cm -	Black	Ø45 cm /	1 pc	Stock item	22.00 kg	5.844	7.305
132752A382A081	Laminate (0720)	Bar table	Bronzed	5 cm				5.844	7.305
	Forbo Linoleum	Ø60-70cm, H:102cm	Black Bronzed	Ø45 cm / 5 cm	1 pc	8 weeks		6.800 6.800	8.500 8.500
	Fenix NTM nano laminate	Ø60-70cm, H:102cm	Black Bronzed	Ø45 cm / 5 cm	1 pc	8 weeks		7.040 7.040	8.800 8.800
	Oak veneer	Ø60-70cm, H:102cm	Black Bronzed	Ø45 cm / 5 cm	1 pc	8 weeks		7.276 7.276	9.095 9.095



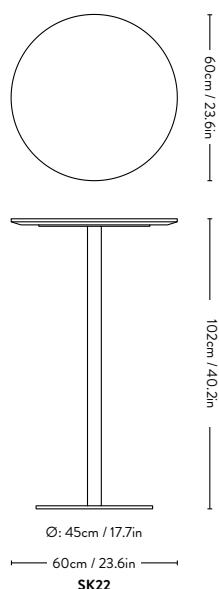
Fenix Nano Laminate made using FSC® certified wood, supporting responsible environmental, social and economical management of the world's forests. Visit www.fsc.org

Table top materials Variant

MDF Table top	Forbo Linoleum, Fenix NTM nano laminate, Oak Veneer in Smoked, Clear or Black Lacquer.
Legs	Clear Lacquered oak, Smoked Lacquered or Black Lacquered Oak.

Edge material: ABS edges for linolium and laminate, Clear Lacquered oak, Black Lacquered Oak or Smoked Lacquered Oak for oak veneer.

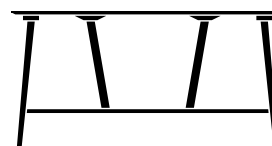
Felt gliders installed as standard.
Bevelled table top edge.



In Between SK25 & SK26

Sami Kallio

2025



Product no.	Variant	Size	Product code	Colli qty.	Lead time	Weight	PRICE EX. VAT (SEK)	PRICE INC. VAT (SEK)
146618A277A086	Lacquered Oak	190x50x95	SK25	1 pc	Stock item	31.00 kg	19.100	23.875
146619A361A085	Smoked Lacquered Oak	190x50x95	SK25	1 pc	Stock item	31.00 kg	19.100	23.875
146620A262A087	Black Lacquered Oak	190x50x95	SK25	1 pc	Stock item	31.00 kg	19.100	23.875
146621A277A086	Lacquered Oak	190x80x95	SK26	1 pc	Stock item	44.00 kg	20.292	25.365
146622A361A085	Smoked Lacquered Oak	190x80x95	SK26	1 pc	Stock item	44.00 kg	20.292	25.365
146623A262A087	Black Lacquered Oak	190x80x95	SK26	1 pc	Stock item	44.00 kg	20.292	25.365
146585	Footrest protector			1 pc	Stock item	0.10 kg	352	440

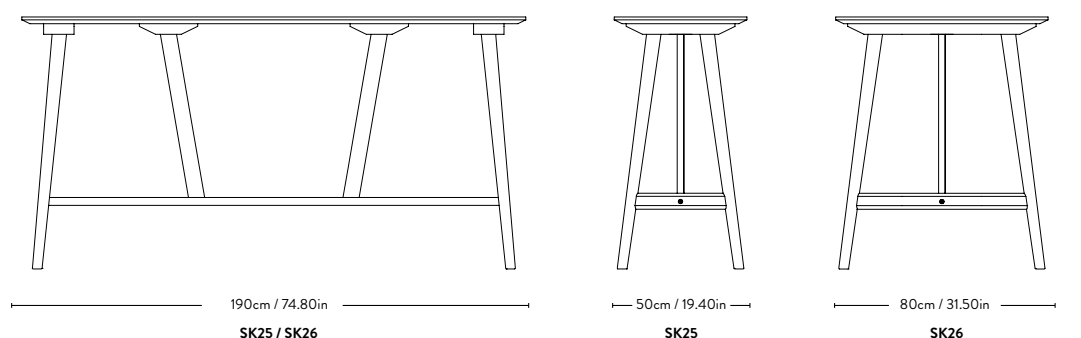


Made using FSC® certified wood, supporting responsible environmental, social and economical management of the world's forests. Visit www.fsc.org

Materials Variant

Table top: Oak Veneer on both sides and edges
 Table legs: Solid Oak

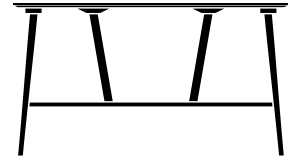
Adjustable gliders installed as standard. Bevelled table top edge.



In Between SK27 & SK28

Sami Kallio

2025



Product no.	Variant	Size	Product code	Colli qty.	Lead time	Weight	PRICE EX. VAT (SEK)	PRICE INC. VAT (SEK)
146624A277A086	Lacquered Oak	190x50x105	SK27	1 pc	Stock item	31.00 kg	19.100	23.875
146625A361A085	Smoked Lacquered Oak	190x50x105	SK27	1 pc	Stock item	31.00 kg	19.100	23.875
146626A262A087	Black Lacquered Oak	190x50x105	SK27	1 pc	Stock item	31.00 kg	19.100	23.875
146627A277A086	Lacquered Oak	190x80x105	SK28	1 pc	Stock item	45.00 kg	20.292	25.365
146628A361A085	Smoked Lacquered Oak	190x80x105	SK28	1 pc	Stock item	45.00 kg	20.292	25.365
146629A262A087	Black Lacquered Oak	190x80x105	SK28	1 pc	Stock item	45.00 kg	20.292	25.365
146585	Footrest protector			1 pc	Stock item	0.10 kg	352	440

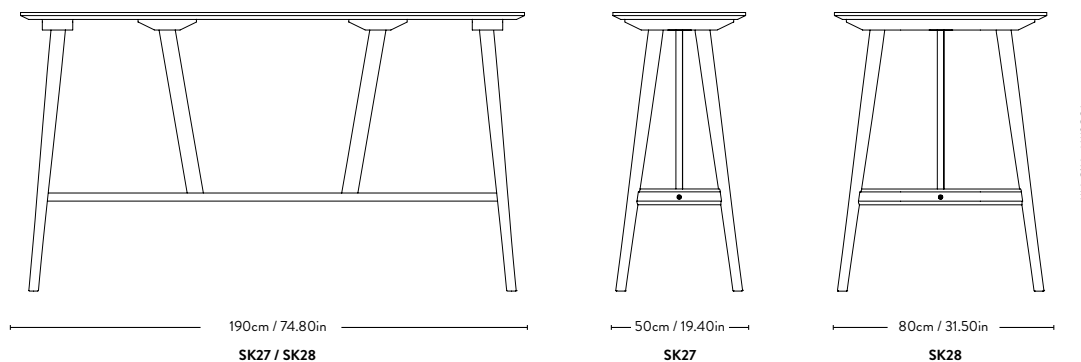


Made using FSC® certified wood, supporting responsible environmental, social and economical management of the world's forests. Visit www.fsc.org

Materials Variant

Table top	Oak Veneer on both sides and edges
Table legs	Solid Oak

Adjustable gliders installed as standard. Bevelled table top edge.



Patch ^{HW1} Hee Welling 2020



Product no.	Variant	Colli qty.	Lead time	Weight	PRICE EX. VAT (SEK)	PRICE INC. VAT (SEK)
132979A202A076	Oiled Oak w. Fenix 0748 Beige Arizona & Brass	1 pc	Stock item	73.50 kg	27.456	34.320
132978A190A075	Smoked Oak w. Fenix 0718 Griogio Londra & Brass	1 pc	Stock item	73.50 kg	27.456	34.320
132980A195A077	Walnut w. Fenix 0749 Cacao Orinoco & Brass	1 pc	Stock item	73.50 kg	31.040	38.800



Oiled Oak w. Fenix Nano Laminate and Smoked Oak w. Fenix Nano Laminate made using FSC® certified wood, supporting responsible environmental, social and economical management of the world's forests. Visit www.fsc.org

Frame **Table top**

Solid wood Fenix NTM nano laminate

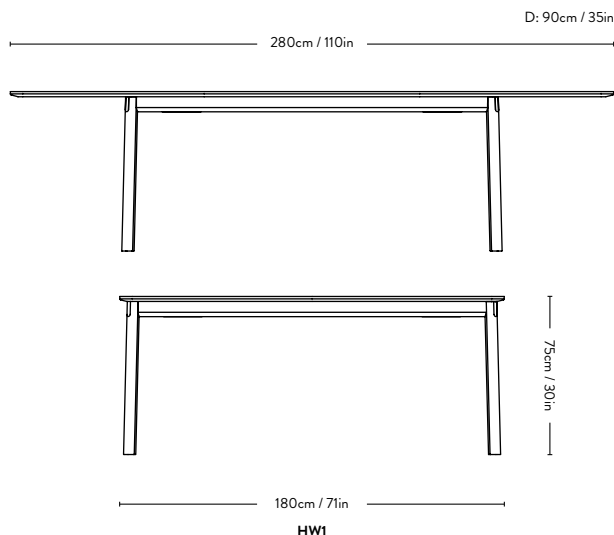
Frame **Edges**

Oak Oiled Oak, Smoked Oiled Oak
Walnut Oiled Walnut

Material: Nano laminated MDF tabletop. Extension leaves with veneered and chamfered edges. Solid wood frame and legs.

Brass fittings.

Felt gliders installed as standard



Patch ^{HW2} Hee Welling 2020



Product no.	Variant	Colli qty.	Lead time	Weight	PRICE EX. VAT (SEK)	PRICE INC. VAT (SEK)
132982A202A076	Oiled Oak w. Fenix 0748 Beige Arizona & Brass	1 pc	Stock item	89.50 kg	29.844	37.305
132981A190A075	Smoked Oak w. Fenix 0718 Griogio Londra & Brass	1 pc	Stock item	89.50 kg	29.844	37.305
132983A195A077	Walnut w. Fenix 0749 Cacao Orinoco & Brass	1 pc	Stock item	89.50 kg	33.428	41.785



Oiled Oak w. Fenix Nano Laminate and Smoked Oak w. Fenix Nano Laminate made using FSC® certified wood, supporting responsible environmental, social and economical management of the world's forests. Visit www.fsc.org

Frame **Table top**

Solid wood Fenix NTM nano laminate

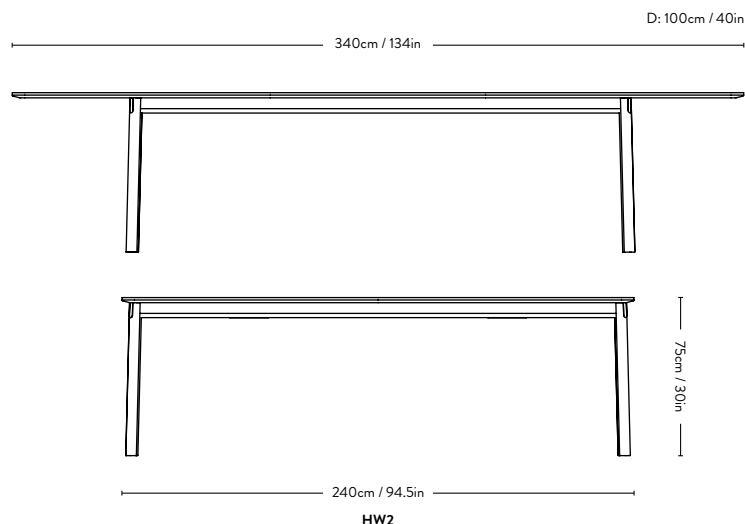
Frame **Edges**

Oak Oiled Oak, Smoked Oiled Oak
Walnut Oiled Walnut

Material: Nano laminated MDF tabletop. Extension leaves with veneered and chamfered edges. Solid wood frame and legs.

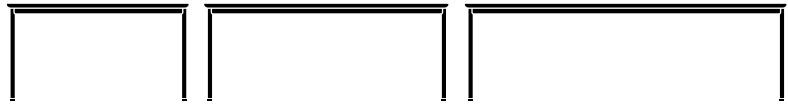
Brass fittings.

Felt gliders installed as standard



Drip HW115, HW116 & HW117

Hee Welling 2025



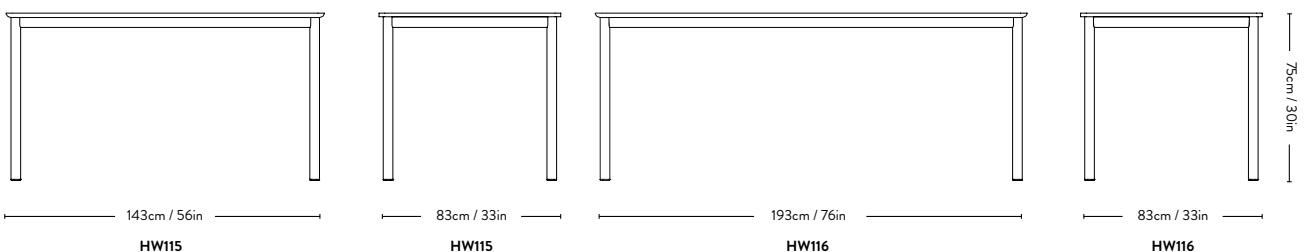
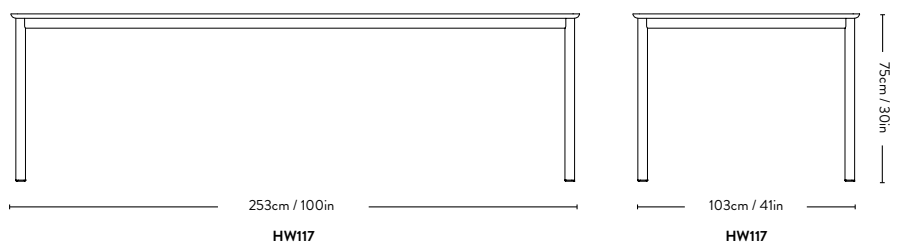
Product no.	Table top	Size	Base	Product code	Colli qty.	Lead time	Weight	PRICE EX. VAT (SEK)	PRICE INC. VAT (SEK)
139867A276A371 147350A276A371	Oak	143 x 83 cm	Black Bronzed	HW115	1 pc	Stock item	25.00 kg	14.920	18.650
139867A308A372 147350A308A372	Walnut	143 x 83 cm	Black Bronzed	HW115	1 pc	Stock item	25.00 kg	14.920	18.650
139868A276A371 147351A276A371	Oak	193 x 83 cm	Black Bronzed	HW116	1 pc	Stock item	31.00 kg	17.904	22.380
139868A308A372 147351A308A372	Walnut	193 x 83 cm	Black Bronzed	HW116	1 pc	Stock item	31.00 kg	17.904	22.380
139869A276A371 147352A276A371	Oak	253 x 103 cm	Black Bronzed	HW117	1 pc	Stock item	47.80 kg	20.888	26.110
139869A308A372 147352A308A372	Walnut	253 x 103 cm	Black Bronzed	HW117	1 pc	Stock item	47.80 kg	20.888	26.110



Veneer and Fenix Nano Laminate made using FSC® certified wood, supporting responsible environmental, social and economical management of the world's forests. Visit www.fsc.org

Material: Aluminium base, MDF tabletop with oak veneer and solid oak edges or walnut veneer and solid walnut edges.

Plastic gliders installed as standard.



Drip ^{HW58} Hee Welling 2021



Product no.	Table top	Size	Base	Colli qty.	Lead time	Weight	PRICE EX. VAT (SEK)	PRICE INC. VAT (SEK)
132291A382A066 132292A382A066	Nero Ingo Fenix Nano Laminate (0720) & Black Rehau (76490), Glossy Edge	140 x 80cm	Black Bronzed	1 pc	Stock item	25.00 kg	11.336 11.336	14.170 14.170
132287A362A069 132288A362A069	Smokey Blue Forbo Linoleum (4179) & Dark Blue Ostermann (043.5984), Glossy Edge	140 x 80cm	Black Bronzed	1 pc	8 weeks	25.00 kg	11.932 11.932	14.915 14.915
132287A270A068 132288A270A068	Burgundy Forbo Linoleum (4154) & Red Ostermann (043.4110), Glossy Edge	140 x 80cm	Black Bronzed	1 pc	8 weeks	25.00 kg	11.932 11.932	14.915 14.915
132291A195A074 132292A195A074	Cacao Orinoco Fenix Nano Laminate (0749) & Grey Brown Rehau (71038), Glossy Edge	140 x 80cm	Black Bronzed	1 pc	8 weeks	25.00 kg	13.128 13.128	16.410 16.410
132291A186A072 132292A186A072	Verde Comodoro Fenix Nano Laminate (0750) & Grey Rehau (97959), Glossy Edge	140 x 80cm	Black Bronzed	1 pc	8 weeks	25.00 kg	13.128 13.128	16.410 16.410
132291A390A070 132292A390A070	Azzurro Naxos Fenix Nano Laminate (0771) & Light Blue Rehau (77193), Glossy Edge	140 x 80cm	Black Bronzed	1 pc	8 weeks	25.00 kg	13.128 13.128	16.410 16.410
132287 132288	Linoleum - all colours	140 x 80cm	Black Bronzed	1 pc	8 weeks	25.00 kg	11.932 11.932	14.915 14.915
132291 132292	Nano Laminate - all colours	140 x 80cm	Black Bronzed	1 pc	8 weeks	25.00 kg	13.128 13.128	16.410 16.410
132289 132290	Veneer - oak or walnut	140 x 80cm	Black Bronzed	1 pc	8 weeks	25.00 kg	13.128 13.128	16.410 16.410
133353	Cut out for cable management Cable access set / Black				8 weeks		592 3.100	740 3.875
133354	Cable access set / Silver				8 weeks		3.100 3.100	3.875 3.875



EU Ecolabel certified, validating high standards of durability, circular design, and responsible use of chemicals. Please contact our sales team for a list of EU Ecolabel compliant combinations.

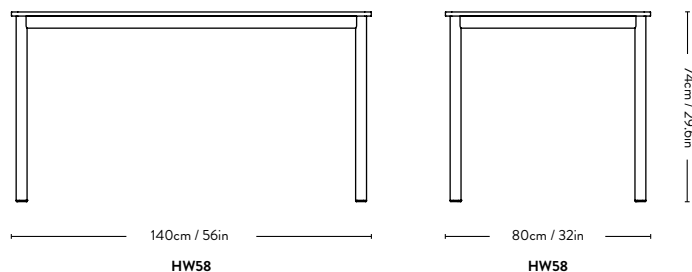


Veneer and Fenix Nano Laminate made using FSC® certified wood, supporting responsible environmental, social and economical management of the world's forests. Visit www.fsc.org

Material: Aluminium base, MDF tabletop with Fenix Nano laminate, Forbo linoleum or wood veneer.

All other colours are produced with a matching ABS edgeband. Wood veneer is produced with a matching edgeband.

All table tops and edgebands can be mixed and matched. Plastic gliders installed as standard. Castors are available upon request.



Drip ^{HW59} Hee Welling 2021



Product no.	Table top	Size	Base	Colli qty.	Lead time	Weight	PRICE EX. VAT (SEK)	PRICE INC. VAT (SEK)
132297A382A066 132298A382A066	Nero Ingo Fenix Nano Laminate (0720) & Black Rehau (76490), Glossy Edge	190 x 80cm	Black Bronzed	1 pc	Stock item	32.50 kg	12.528	15.660
132293A362A069 132294A362A069	Smokey Blue Forbo Linoleum (4179) & Dark Blue Ostermann (043.5984), Glossy Edge	190 x 80cm	Black Bronzed	1 pc	8 weeks	32.50 kg	13.724	17.155
132293A270A068 132294A270A068	Burgundy Forbo Linoleum (4154) & Red Ostermann (043.4110), Glossy Edge	190 x 80cm	Black Bronzed	1 pc	8 weeks	32.50 kg	13.724	17.155
132297A195A074 132298A195A074	Cacao Orinoco Fenix Nano Laminate (0749) & Grey Brown Rehau (71038), Glossy Edge	190 x 80cm	Black Bronzed	1 pc	8 weeks	32.50 kg	14.916	18.645
132297A186A072 132298A186A072	Verde Comodoro Fenix Nano Laminate (0750) & Grey Rehau (97959), Glossy Edge	190 x 80cm	Black Bronzed	1 pc	8 weeks	32.50 kg	14.916	18.645
132297A390A070 132298A390A070	Azzurro Naxos Fenix Nano Laminate (0771) & Light Blue Rehau (77193), Glossy Edge	190 x 80cm	Black Bronzed	1 pc	8 weeks	32.50 kg	14.916	18.645
132293 132294	Linoleum - all colours	190 x 80cm	Black Bronzed	1 pc	8 weeks	32.50 kg	13.724	17.155
132297 132298	Nano Laminate - all colours	190 x 80cm	Black Bronzed	1 pc	8 weeks	32.50 kg	14.916	18.645
132295 132296	Veneer - oak or walnut	190 x 80cm	Black Bronzed	1 pc	8 weeks	32.50 kg	14.916	18.645
133353	Cut out for cable management				8 weeks		592	740
133354	Cable access set / Black				8 weeks		3.100	3.875
	Cable access set / Silver				8 weeks		3.100	3.875



EU Ecolabel certified, validating high standards of durability, circular design, and responsible use of chemicals. Please contact our sales team for a list of EU Ecolabel compliant combinations.

EU Ecolabel | DK/049/039

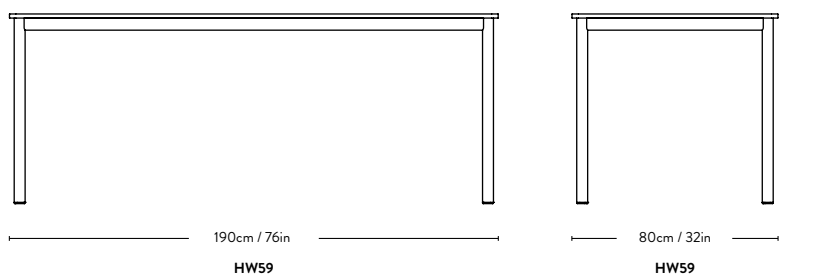


Veneer and Fenix Nano Laminate made using FSC® certified wood, supporting responsible environmental, social and economical management of the world's forests. Visit www.fsc.org

Material: Aluminium base, MDF tabletop with Fenix Nano laminate, Forbo linoleum or wood veneer.

All other colours are produced with a matching ABS edgeband. Wood veneer is produced with a matching edgeband.

All table tops and edgebands can be mixed and matched. Plastic gliders installed as standard. Castors are available upon request.



Drip ^{HW60} Hee Welling 2021



Product no.	Table top	Size	Base	Colli qty.	Lead time	Weight	PRICE EX. VAT (SEK)	PRICE INC. VAT (SEK)
132303A382A066 132304A382A066	Nero Ingo Fenix Nano Laminate (0720) & Black Rehau (76490), Glossy Edge	250 x 100 cm	Black Bronzed	1 pc	Stock item	49.00 kg	15.516 15.516	19.395 19.395
132299A362A069 132300A362A069	Smokey Blue Forbo Linoleum (4179) & Dark Blue Ostermann (043.5984), Glossy Edge	250 x 100 cm	Black Bronzed	1 pc	8 weeks	49.00 kg	18.500 18.500	23.125 23.125
132299A270A068 132300A270A068	Burgundy Forbo Linoleum (4154) & Red Ostermann (043.4110), Glossy Edge	250 x 100 cm	Black Bronzed	1 pc	8 weeks	49.00 kg	18.500 18.500	23.125 23.125
132303A195A074 132304A195A074	Cacao Orinoco Fenix Nano Laminate (0749) & Grey Brown Rehau (71038), Glossy Edge	250 x 100 cm	Black Bronzed	1 pc	8 weeks	49.00 kg	20.292 20.292	25.365 25.365
132303A186A072 132304A186A072	Verde Comodoro Fenix Nano Laminate (0750) & Grey Rehau (97959), Glossy Edge	250 x 100 cm	Black Bronzed	1 pc	8 weeks	49.00 kg	20.292 20.292	25.365 25.365
132303A390A070 132304A390A070	Azzurro Naxos Fenix Nano Laminate (0771) & Light Blue Rehau (77193), Glossy Edge	250 x 100 cm	Black Bronzed	1 pc	8 weeks	49.00 kg	20.292 20.292	25.365 25.365
132299 132300	Linoleum - all colours	250 x 100 cm	Black Bronzed	1 pc	8 weeks	49.00 kg	18.500 18.500	23.125 23.125
132303 132304	Nano Laminate - all colours	250 x 100 cm	Black Bronzed	1 pc	8 weeks	49.00 kg	20.292 20.292	25.365 25.365
132301 132302	Veneer - oak or walnut	250 x 100 cm	Black Bronzed	1 pc	8 weeks	49.00 kg	20.292 20.292	25.365 25.365
133353	Cut out for cable management Cable access set / Black				8 weeks		592 3.100	740 3.875
133354	Cable access set / Silver				8 weeks		3.100 3.100	3.875 3.875



EU Ecolabel certified, validating high standards of durability, circular design, and responsible use of chemicals. Please contact our sales team for a list of EU Ecolabel compliant combinations.

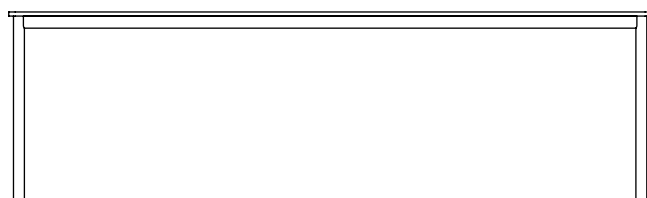


Veneer and Fenix Nano Laminate made using FSC® certified wood, supporting responsible environmental, social and economical management of the world's forests. Visit www.fsc.org

Material: Aluminium base, MDF tabletop with Fenix Nano laminate, Forbo linoleum or wood veneer.

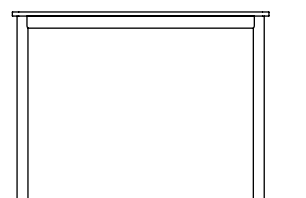
All other colours are produced with a matching ABS edgeband. Wood veneer is produced with a matching edgeband.

All table tops and edgebands can be mixed and matched
Plastic gliders installed as standard.
Castors are available upon request.



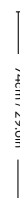
250cm / 100in

HW60



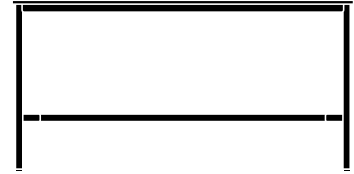
100cm / 40in

HW60



74cm / 29.6in

Drip ^{HW61} Hee Welling 2021



Product no.	Table top	Size	Base	Colli qty.	Lead time	Weight	PRICE EX. VAT (SEK)	PRICE INC. VAT (SEK)
132309A382A066 132310A382A066	Nero Ingo Fenix Nano Laminate (0720) & Black Rehau (76490), Glossy Edge	190 x 50 x 95 cm	Black Bronzed	1 pc	Stock item	26.80 kg	17.308	21.635
132305A362A069 132306A362A069	Smokey Blue Forbo Linoleum (4179) & Dark Blue Ostermann (043.5984), Glossy Edge	190 x 50 x 95 cm	Black Bronzed	1 pc	8 weeks	26.80 kg	19.100	23.875
132305A270A068 132306A270A068	Burgundy Forbo Linoleum (4154) & Red Ostermann (043.4110), Glossy Edge	190 x 50 x 95 cm	Black Bronzed	1 pc	8 weeks	26.80 kg	19.100	23.875
132309A195A074 132310A195A074	Cacao Orinoco Fenix Nano Laminate (0749) & Grey Brown Rehau (71038), Glossy Edge	190 x 50 x 95 cm	Black Bronzed	1 pc	8 weeks	26.80 kg	20.292	25.365
132309A186A072 132310A186A072	Verde Comodoro Fenix Nano Laminate (0750) & Grey Rehau (97959), Glossy Edge	190 x 50 x 95 cm	Black Bronzed	1 pc	8 weeks	26.80 kg	20.292	25.365
132309A390A070 132310A390A070	Azzurro Naxos Fenix Nano Laminate (0771) & Light Blue Rehau (77193), Glossy Edge	190 x 50 x 95 cm	Black Bronzed	1 pc	8 weeks	26.80 kg	20.292	25.365
132305 132306	Linoleum - all colours	190 x 50 x 95 cm	Black Bronzed	1 pc	8 weeks	26.80 kg	19.100	23.875
132309 132310	Nano Laminate - all colours	190 x 50 x 95 cm	Black Bronzed	1 pc	8 weeks	26.80 kg	20.292	25.365
132307 132308	Veneer - oak or walnut	190 x 50 x 95 cm	Black Bronzed	1 pc	8 weeks	26.80 kg	20.292	25.365
133353	Cut out for cable management Cable pit set / Black				8 weeks		592	740
133354	Cable pit set / Silver				8 weeks		3.100	3.875



EU Ecolabel certified, validating high standards of durability, circular design, and responsible use of chemicals. Please contact our sales team for a list of EU Ecolabel compliant combinations.

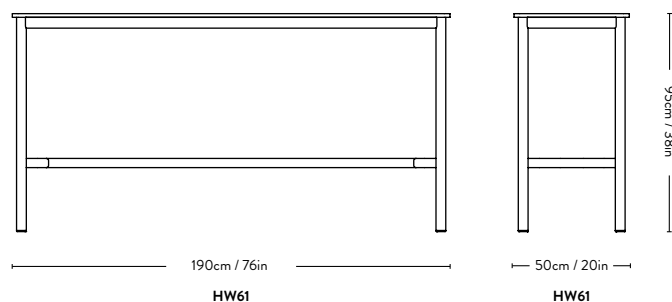


Veneer and Fenix Nano Laminate made using FSC® certified wood, supporting responsible environmental, social and economical management of the world's forests. Visit www.fsc.org

Material: Aluminium base, MDF tabletop with Fenix Nano laminate, Forbo linoleum or wood veneer.

All other colours are produced with a matching ABS edgeband. Wood veneer is produced with a matching edgeband.

All table tops and edgebands can be mixed and matched
Plastic gliders installed as standard.
Castors are available upon request.



Drip HW62 Hee Welling 2021



Product no.	Table top	Size	Base	Colli qty.	Lead time	Weight	PRICE EX. VAT (SEK)	PRICE INC. VAT (SEK)
132315A382A066 132316A382A066	Nero Ingo Fenix Nano Laminate (0720) & Black Rehau (76490), Glossy Edge	190 x 80 x 95 cm	Black Bronzed	1 pc	Stock item	36.00 kg	17.904	22.380
132311A362A069 132312A362A069	Smokey Blue Forbo Linoleum (4179) & Dark Blue Ostermann (043.5984), Glossy Edge	190 x 80 x 95 cm	Black Bronzed	1 pc	8 weeks	36.00 kg	19.100	23.875
132311A270A068 132312A270A068	Burgundy Forbo Linoleum (4154) & Red Ostermann (043.4110), Glossy Edge	190 x 80 x 95 cm	Black Bronzed	1 pc	8 weeks	36.00 kg	19.100	23.875
132315A195A074 132316A195A074	Cacao Orinoco Fenix Nano Laminate (0749) & Grey Brown Rehau (71038), Glossy Edge	190 x 80 x 95 cm	Black Bronzed	1 pc	8 weeks	36.00 kg	20.292	25.365
132315A186A072 132316A186A072	Verde Comodoro Fenix Nano Laminate (0750) & Grey Rehau (97959), Glossy Edge	190 x 80 x 95 cm	Black Bronzed	1 pc	8 weeks	36.00 kg	20.292	25.365
132315A390A070 132316A390A070	Azzurro Naxos Fenix Nano Laminate (0771) & Light Blue Rehau (77193), Glossy Edge	190 x 80 x 95 cm	Black Bronzed	1 pc	8 weeks	36.00 kg	20.292	25.365
132311 132312	Linoleum - all colours	190 x 80 x 95 cm	Black Bronzed	1 pc	8 weeks	36.00 kg	19.100	23.875
132315 132316	Nano Laminate - all colours	190 x 80 x 95 cm	Black Bronzed	1 pc	8 weeks	36.00 kg	20.292	25.365
132313 132314	Veneer - oak or walnut	190 x 80 x 95 cm	Black Bronzed	1 pc	8 weeks	36.00 kg	20.292	25.365
133353	Cut out for cable management				8 weeks		592	740
133354	Cable pit set / Black				8 weeks		3.100	3.875
	Cable pit set / Silver				8 weeks		3.100	3.875



EU Ecolabel certified, validating high standards of durability, circular design, and responsible use of chemicals. Please contact our sales team for a list of EU Ecolabel compliant combinations.

EU Ecolabel | DK/043/039

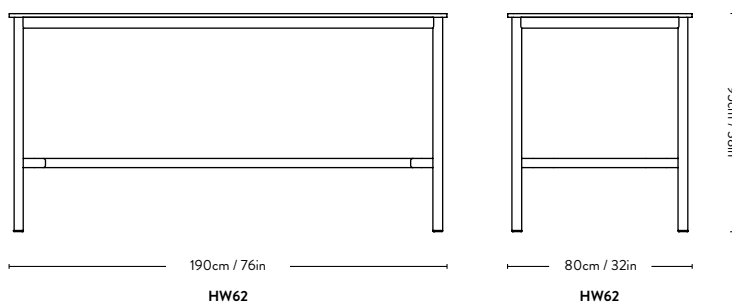


Veneer and Fenix Nano Laminate made using FSC® certified wood, supporting responsible environmental, social and economical management of the world's forests. Visit www.fsc.org

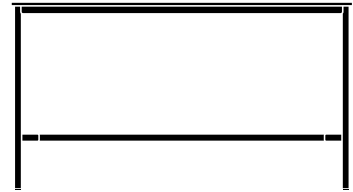
Material: Aluminium base, MDF tabletop with Fenix Nano laminate, Forbo linoleum or wood veneer.

All other colours are produced with a matching ABS edgeband. Wood veneer is produced with a matching edgeband.

All table tops and edgebands can be mixed and matched. Plastic gliders installed as standard. Castors are available upon request.



Drip HW63 Hee Welling 2021



Product no.	Table top	Size	Base	Colli qty.	Lead time	Weight	PRICE EX. VAT (SEK)	PRICE INC. VAT (SEK)
132321A382A066 132322A382A066	Nero Ingo Fenix Nano Laminate (0720) & Black Rehau (76490), Glossy Edge	190 x 50 x 105 cm	Black Bronzed	1 pc	Stock item	28.00 kg	17.308	21.635
132317A362A069 132318A362A069	Smokey Blue Forbo Linoleum (4179) & Dark Blue Ostermann (043.5984), Glossy Edge	190 x 50 x 105 cm	Black Bronzed	1 pc	8 weeks	28.00 kg	19.100	23.875
132317A270A068 132318A270A068	Burgundy Forbo Linoleum (4154) & Red Ostermann (043.4110), Glossy Edge	190 x 50 x 105 cm	Black Bronzed	1 pc	8 weeks	28.00 kg	19.100	23.875
132321A195A074 132322A195A074	Cacao Orinoco Fenix Nano Laminate (0749) & Grey Brown Rehau (71038), Glossy Edge	190 x 50 x 105 cm	Black Bronzed	1 pc	8 weeks	28.00 kg	20.292	25.365
132321A186A072 132322A186A072	Verde Comodoro Fenix Nano Laminate (0750) & Grey Rehau (97959), Glossy Edge	190 x 50 x 105 cm	Black Bronzed	1 pc	8 weeks	28.00 kg	20.292	25.365
132321A390A070 132322A390A070	Azzurro Naxos Fenix Nano Laminate (0771) & Light Blue Rehau (77193), Glossy Edge	190 x 50 x 105 cm	Black Bronzed	1 pc	8 weeks	28.00 kg	20.292	25.365
132317 132318	Linoleum - all colours	190 x 50 x 105 cm	Black Bronzed	1 pc	8 weeks	28.00 kg	19.100	23.875
132321 132322	Nano Laminate - all colours	190 x 50 x 105 cm	Black Bronzed	1 pc	8 weeks	28.00 kg	20.292	25.365
132319 132320	Veneer - oak or walnut	190 x 50 x 105 cm	Black, Bronzed	1 pc	8 weeks	28.00 kg	20.292	25.365
133353	Cut out for cable management Cable pit set / Black				8 weeks		592	740
133354	Cable pit set / Silver				8 weeks		3.100	3.875



EU Ecolabel certified, validating high standards of durability, circular design, and responsible use of chemicals. Please contact our sales team for a list of EU Ecolabel compliant combinations.

EU Ecolabel | DK/049/039



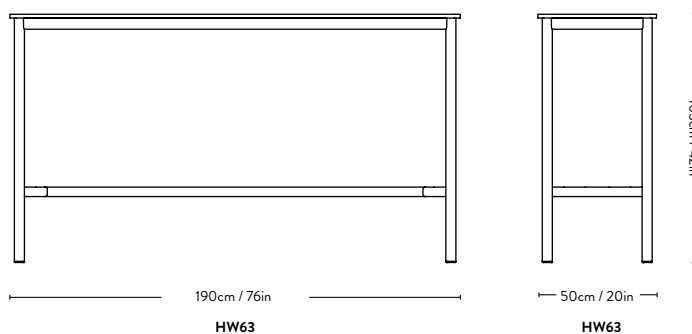
Veneer and Fenix Nano Laminate made using FSC® certified wood, supporting responsible environmental, social and economical management of the world's forests. Visit www.fsc.org

The mark of responsible forestry

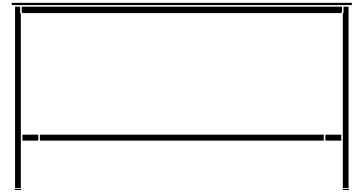
Material: Aluminium base, MDF tabletop with Fenix Nano laminate, Forbo linoleum or wood veneer.

All other colours are produced with a matching ABS edgeband. Wood veneer is produced with a matching edgeband.

All table tops and edgebands can be mixed and matched
Plastic gliders installed as standard.
Castors are available upon request.



Drip HW64 Hee Welling 2021



Product no.	Table top	Size	Base	Colli qty.	Lead time	Weight	PRICE EX. VAT (SEK)	PRICE INC. VAT (SEK)
132327A382A066 132328A382A066	Nero Ingo Fenix Nano Laminate (0720) & Black Rehau (76490), Glossy Edge	190 x 80 x 105 cm	Black Bronzed	1 pc	Stock item	37.20 kg	17.904	22.380
132323A362A069 132324A362A069	Smokey Blue Forbo Linoleum (4179) & Dark Blue Ostermann (043.5984), Glossy Edge	190 x 80 x 105 cm	Black Bronzed	1 pc	8 weeks	37.20 kg	19.100	23.875
132323A270A068 132324A270A068	Burgundy Forbo Linoleum (4154) & Red Ostermann (043.4110), Glossy Edge	190 x 80 x 105 cm	Black Bronzed	1 pc	8 weeks	37.20 kg	19.100	23.875
132327A195A074 132328A195A074	Cacao Orinoco Fenix Nano Laminate (0749) & Grey Brown Rehau (71038), Glossy Edge	190 x 80 x 105 cm	Black Bronzed	1 pc	8 weeks	37.20 kg	20.292	25.365
132327A186A072 132328A186A072	Verde Comodoro Fenix Nano Laminate (0750) & Grey Rehau (97959), Glossy Edge	190 x 80 x 105 cm	Black Bronzed	1 pc	8 weeks	37.20 kg	20.292	25.365
132327A390A070 132328A390A070	Azzurro Naxos Fenix Nano Laminate (0771) & Light Blue Rehau (77193), Glossy Edge	190 x 80 x 105 cm	Black Bronzed	1 pc	8 weeks	37.20 kg	20.292	25.365
132323 132324	Linoleum - all colours	190 x 80 x 105 cm	Black Bronzed	1 pc	8 weeks	37.20 kg	19.100	23.875
132327 132328	Nano Laminate - all colours	190 x 80 x 105 cm	Black Bronzed	1 pc	8 weeks	37.20 kg	20.292	25.365
132325 132326	Veneer - oak or walnut	190 x 80 x 105 cm	Black Bronzed	1 pc	8 weeks	37.20 kg	20.292	25.365
133353	Cut out for cable management Cable pit set / Black				8 weeks		592	740
133354	Cable pit set / Silver				8 weeks		3.100	3.875



EU Ecolabel certified, validating high standards of durability, circular design, and responsible use of chemicals. Please contact our sales team for a list of EU Ecolabel compliant combinations.

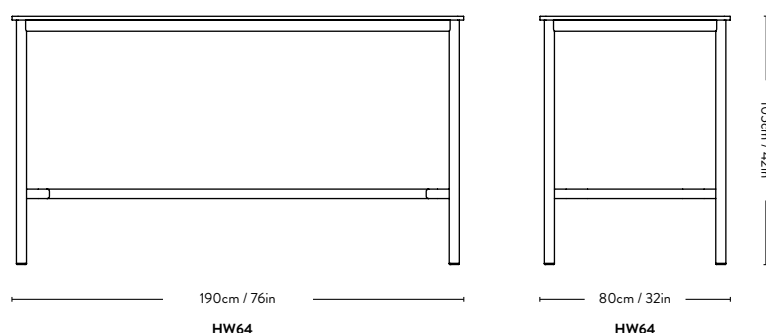


Veneer and Fenix Nano Laminate made using FSC® certified wood, supporting responsible environmental, social and economical management of the world's forests. Visit www.fsc.org

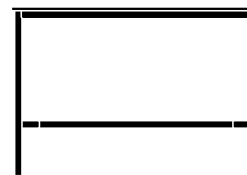
Material: Aluminium base, MDF tabletop with Fenix Nano laminate, Forbo linoleum or wood veneer.

All other colours are produced with a matching ABS edgeband. Wood veneer is produced with a matching edgeband.

All table tops and edgebands can be mixed and matched
Plastic gliders installed as standard.
Castors are available upon request.



Drip^{HW111} Hee Welling 2021



Product no.	Table top	Size	Base	Colli qty.	Lead time	Weight	PRICE EX. VAT (SEK)	PRICE INC. VAT (SEK)
132333A382A066 132334A382A066	Nero Ingo Fenix Nano Laminate (0720) & Black Rehau (76490), Glossy Edge	140 x 50 x 95 cm	Black Bronzed	1 pc	Stock item	22.90 kg	16.712	20.890
132329A362A069 132330A362A069	Smokey Blue Forbo Linoleum (4179) & Dark Blue Ostermann (043.5984), Glossy Edge	140 x 50 x 95 cm	Black Bronzed	1 pc	8 weeks	22.90 kg	17.904	22.380
132329A270A068 132330A270A068	Burgundy Forbo Linoleum (4154) & Red Ostermann (043.4110), Glossy Edge	140 x 50 x 95 cm	Black Bronzed	1 pc	8 weeks	22.90 kg	17.904	22.380
132333A195A074 132334A195A074	Cacao Orinoco Fenix Nano Laminate (0749) & Grey Brown Rehau (71038), Glossy Edge	140 x 50 x 95 cm	Black Bronzed	1 pc	8 weeks	22.90 kg	19.100	23.875
132333A186A072 132334A186A072	Verde Comodoro Fenix Nano Laminate (0750) & Grey Rehau (97959), Glossy Edge	140 x 50 x 95 cm	Black Bronzed	1 pc	8 weeks	22.90 kg	19.100	23.875
132333A390A070 132334A390A070	Azzurro Naxos Fenix Nano Laminate (0771) & Light Blue Rehau (77193), Glossy Edge	140 x 50 x 95 cm	Black Bronzed	1 pc	8 weeks	22.90 kg	19.100	23.875
132329 132330	Linoleum - all colours	140 x 50 x 95 cm	Black Bronzed	1 pc	8 weeks	22.90 kg	17.904	22.380
132333 132334	Nano Laminate - all colours	140 x 50 x 95 cm	Black Bronzed	1 pc	8 weeks	22.90 kg	19.100	23.875
132331 132332	Veneer - oak or walnut	140 x 50 x 95 cm	Black Bronzed	1 pc	8 weeks	22.90 kg	19.100	23.875
133353	Cut out for cable management				8 weeks		592	740
133354	Cable pit set / Black				8 weeks		3.100	3.875
	Cable pit set / Silver				8 weeks		3.100	3.875



EU Ecolabel - 06/04/03/03/09



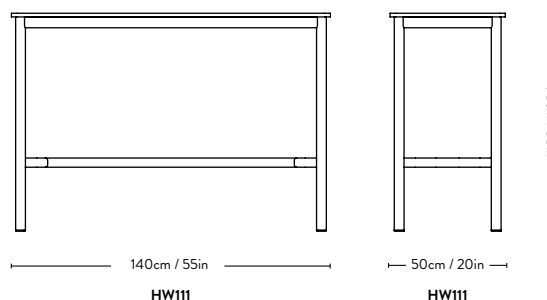
EU Ecolabel certified, validating high standards of durability, circular design, and responsible use of chemicals. Please contact our sales team for a list of EU Ecolabel compliant combinations.

Veneer and Fenix Nano Laminate made using FSC® certified wood, supporting responsible environmental, social and economical management of the world's forests. Visit www.fsc.org

Material: Aluminium base, MDF tabletop with Fenix Nano laminate, Forbo linoleum or wood veneer.

All other colours are produced with a matching ABS edgeband. Wood veneer is produced with a matching edgeband.

All table tops and edgebands can be mixed and matched. Plastic gliders installed as standard. Castors are available upon request.



Drip HW112

Hee Welling

2021



Product no.	Table top	Size	Base	Colli qty.	Lead time	Weight	PRICE EX. VAT (SEK)	PRICE INC. VAT (SEK)
132339A382A066 132340A382A066	Nero Ingo Fenix Nano Laminate (0720) & Black Rehau (76490), Glossy Edge	140 x 80 x 95 cm	Black Bronzed	1 pc	Stock item	30.20 kg	17.308	21.635
132335A362A069 132336A362A069	Smokey Blue Forbo Linoleum (4179) & Dark Blue Ostermann (043.5984), Glossy Edge	140 x 80 x 95 cm	Black Bronzed	1 pc	8 weeks	30.20 kg	17.904	22.380
132335A270A068 132336A270A068	Burgundy Forbo Linoleum (4154) & Red Ostermann (043.4110), Glossy Edge	140 x 80 x 95 cm	Black Bronzed	1 pc	8 weeks	30.20 kg	17.904	22.380
132339A195A074 132340A195A074	Cacao Orinoco Fenix Nano Laminate (0749) & Grey Brown Rehau (71038), Glossy Edge	140 x 80 x 95 cm	Black Bronzed	1 pc	8 weeks	30.20 kg	19.100	23.875
132339A186A072 132340A186A072	Verde Comodoro Fenix Nano Laminate (0750) & Grey Rehau (97959), Glossy Edge	140 x 80 x 95 cm	Black Bronzed	1 pc	8 weeks	30.20 kg	19.100	23.875
132339A390A070 132340A390A070	Azzurro Naxos Fenix Nano Laminate (0771) & Light Blue Rehau (77193), Glossy Edge	140 x 80 x 95 cm	Black Bronzed	1 pc	8 weeks	30.20 kg	19.100	23.875
132335 132336	Linoleum - all colours	140 x 80 x 95 cm	Black Bronzed	1 pc	8 weeks	30.20 kg	17.904	22.380
132339 132340	Nano Laminate - all colours	140 x 80 x 95 cm	Black Bronzed	1 pc	8 weeks	30.20 kg	19.100	23.875
132337 132338	Veneer - oak or walnut	140 x 80 x 95 cm	Black Bronzed	1 pc	8 weeks	30.20 kg	19.100	23.875
133353	Cut out for cable management				8 weeks		592	740
133354	Cable pit set / Black				8 weeks		3.100	3.875
	Cable pit set / Silver				8 weeks		3.100	3.875



EU Ecolabel certified, validating high standards of durability, circular design, and responsible use of chemicals. Please contact our sales team for a list of EU Ecolabel compliant combinations.

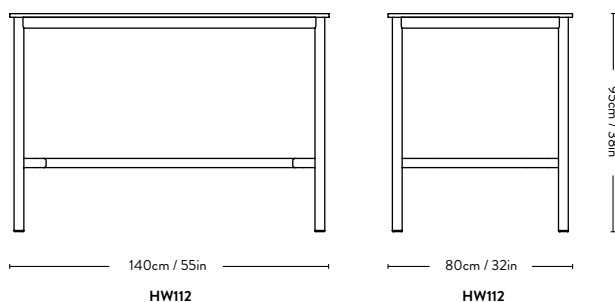


Veneer and Fenix Nano Laminate made using FSC® certified wood, supporting responsible environmental, social and economical management of the world's forests. Visit www.fsc.org

Material: Aluminium base, MDF tabletop with Fenix Nano laminate, Forbo linoleum or wood veneer.

All other colours are produced with a matching ABS edgeband. Wood veneer is produced with a matching edgeband.

All table tops and edgebands can be mixed and matched. Plastic gliders installed as standard. Castors are available upon request.



Drip HW113

Hee Welling

2021



Product no.	Table top	Size	Base	Colli qty.	Lead time	Weight	PRICE EX. VAT (SEK)	PRICE INC. VAT (SEK)
132345A382A066 132346A382A066	Nero Ingo Fenix Nano Laminate (0720) & Black Rehau (76490), Glossy Edge	140 x 50 x 105 cm	Black Bronzed	1 pc	Stock item	23.40 kg	16.712 16.712	20.890 20.890
132341A362A069 132342A362A069	Smokey Blue Forbo Linoleum (4179) & Dark Blue Ostermann (043.5984), Glossy Edge	140 x 50 x 105 cm	Black Bronzed	1 pc	8 weeks	23.40 kg	17.904 17.904	22.380 22.380
132341A270A068 132342A270A068	Burgundy Forbo Linoleum (4154) & Red Ostermann (043.4110), Glossy Edge	140 x 50 x 105 cm	Black Bronzed	1 pc	8 weeks	23.40 kg	17.904 17.904	22.380 22.380
132345A195A074 132346A195A074	Cacao Orinoco Fenix Nano Laminate (0749) & Grey Brown Rehau (71038), Glossy Edge	140 x 50 x 105 cm	Black Bronzed	1 pc	8 weeks	23.40 kg	19.100 19.100	23.875 23.875
132345A186A072 132346A186A072	Verde Comodoro Fenix Nano Laminate (0750) & Grey Rehau (97959), Glossy Edge	140 x 50 x 105 cm	Black Bronzed	1 pc	8 weeks	23.40 kg	19.100 19.100	23.875 23.875
132345A390A070 132346A390A070	Azzurro Naxos Fenix Nano Laminate (0771) & Light Blue Rehau (77193), Glossy Edge	140 x 50 x 105 cm	Black Bronzed	1 pc	8 weeks	23.40 kg	19.100 19.100	23.875 23.875
132341 132342	Linoleum - all colours	140 x 50 x 105 cm	Black Bronzed	1 pc	8 weeks	23.40 kg	17.904 17.904	22.380 22.380
132345 132346	Nano Laminate - all colours	140 x 50 x 105 cm	Black Bronzed	1 pc	8 weeks	23.40 kg	19.100 19.100	23.875 23.875
132343 132344	Veneer - oak or walnut	140 x 50 x 105 cm	Black, Bronzed	1 pc	8 weeks	23.40 kg	19.100 19.100	23.875 23.875
133353	Cut out for cable management Cable pit set / Black				8 weeks		592 3.100	740 3.875
133354	Cable pit set / Silver				8 weeks		3.100 3.100	3.875 3.875



EU Ecolabel certified, validating high standards of durability, circular design, and responsible use of chemicals. Please contact our sales team for a list of EU Ecolabel compliant combinations.

EU Ecolabel / DK/049/029

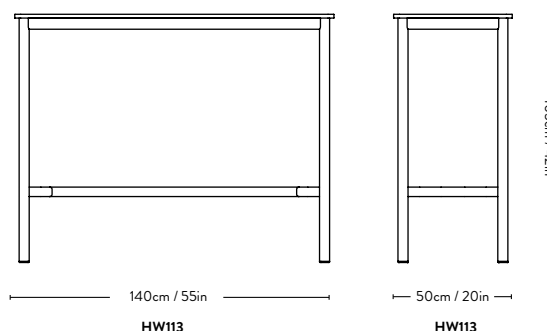


Veneer and Fenix Nano Laminate made using FSC® certified wood, supporting responsible environmental, social and economical management of the world's forests. Visit www.fsc.org

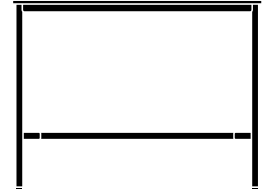
Material: Aluminium base, MDF tabletop with Fenix Nano laminate, Forbo linoleum or wood veneer.

All other colours are produced with a matching ABS edgeband. Wood veneer is produced with a matching edgeband.

All table tops and edgebands can be mixed and matched
Plastic gliders installed as standard.
Castors are available upon request.



Drip ^{HW114} Hee Welling 2021



Product no.	Table top	Size	Base	Colli qty.	Lead time	Weight	PRICE EX. VAT (SEK)	PRICE INC. VAT (SEK)
132351A382A066 132352A382A066	Nero Ingo Fenix Nano Laminate (0720) & Black Rehau (76490), Glossy Edge	140 x 80 x 105 cm	Black Bronzed	1 pc	Stock item	30.30 kg	17.308	21.635
132347A362A069 132348A362A069	Smokey Blue Forbo Linoleum (4179) & Dark Blue Ostermann (043.5984), Glossy Edge	140 x 80 x 105 cm	Black Bronzed	1 pc	8 weeks	30.30 kg	17.904	22.380
132347A270A068 132348A270A068	Burgundy Forbo Linoleum (4154) & Red Ostermann (043.4110), Glossy Edge	140 x 80 x 105 cm	Black Bronzed	1 pc	8 weeks	30.30 kg	17.904	22.380
132351A195A074 132352A195A074	Cacao Orinoco Fenix Nano Laminate (0749) & Grey Brown Rehau (71038), Glossy Edge	140 x 80 x 105 cm	Black Bronzed	1 pc	8 weeks	30.30 kg	19.100	23.875
132351A186A072 132352A186A072	Verde Comodoro Fenix Nano Laminate (0750) & Grey Rehau (97959), Glossy Edge	140 x 80 x 105 cm	Black Bronzed	1 pc	8 weeks	30.30 kg	19.100	23.875
132351A390A070 132352A390A070	Azzurro Naxos Fenix Nano Laminate (0771) & Light Blue Rehau (77193), Glossy Edge	140 x 80 x 105 cm	Black Bronzed	1 pc	8 weeks	30.30 kg	19.100	23.875
132347 132348	Linoleum - all colours	140 x 80 x 105 cm	Black Bronzed	1 pc	8 weeks	30.30 kg	17.904	22.380
132351 132352	Nano Laminate - all colours	140 x 80 x 105 cm	Black Bronzed	1 pc	8 weeks	30.30 kg	19.100	23.875
132349 132350	Veneer - oak or walnut	140 x 80 x 105 cm	Black Bronzed	1 pc	8 weeks	30.30 kg	19.100	23.875
133353	Cut out for cable management				8 weeks		592	740
133354	Cable pit set / Black				8 weeks		3.100	3.875
	Cable pit set / Silver				8 weeks		3.100	3.875



EU Ecolabel certified, validating high standards of durability, circular design, and responsible use of chemicals. Please contact our sales team for a list of EU Ecolabel compliant combinations.

EU Ecolabel | DK/048/029

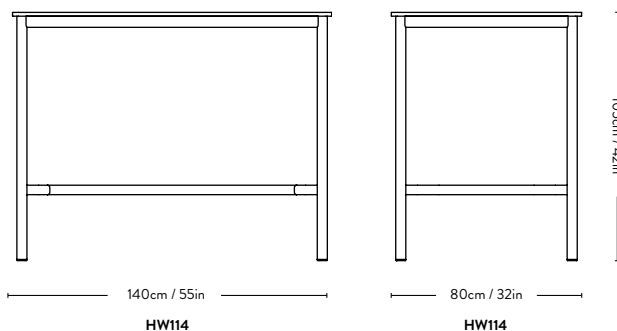


Veneer and Fenix Nano Laminate made using FSC® certified wood, supporting responsible environmental, social and economical management of the world's forests. Visit www.fsc.org

Material: Aluminium base, MDF tabletop with Fenix Nano laminate, Forbo linoleum or wood veneer.

All other colours are produced with a matching ABS edgeband. Wood veneer is produced with a matching edgeband.

All table tops and edgebands can be mixed and matched. Plastic gliders installed as standard. Castors are available upon request.



Drip Made to order Hee Welling 2021

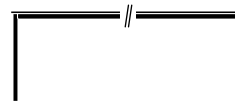


Table top	Base	Size	Lead time	PRICE EX. VAT (SEK)	PRICE INC. VAT (SEK)
Forbo Linoleum	Black, Bronzed	L: 141-170 x W: 80 x H: 74cm	8 weeks	15.516	19.395
		L: 171-200 x W: 80 x H: 74cm		17.308	21.635
		L: 201-250 x W: 100 x H: 74cm		19.100	23.875
		L: 251-300 x W: 100 x H: 74cm		22.680	28.350
		L: 201-250 x W: 110 x H: 74cm		20.292	25.365
		L: 251-300 x W: 110 x H: 74cm		23.276	29.095
		L: 301-350 x W: 110 x H: 74cm		28.652	35.815
		L: 351-400 x W: 110 x H: 74cm		31.040	38.800
		L: 401-450 x W: 110 x H: 74cm		31.636	39.545
		L: 451-500 x W: 110 x H: 74cm		34.620	43.275
		L: 501-550 x W: 110 x H: 74cm		35.816	44.770
		L: 551-600 x W: 110 x H: 74cm		38.204	47.755
		L: 201-250 x W: 120 x H: 74cm		21.488	26.860
		L: 251-300 x W: 120 x H: 74cm		24.472	30.590
		L: 301-350 x W: 120 x H: 74cm		29.844	37.305
		L: 351-400 x W: 120 x H: 74cm		32.232	40.290
		L: 401-450 x W: 120 x H: 74cm		32.828	41.035
		L: 451-500 x W: 120 x H: 74cm		35.816	44.770
		L: 501-550 x W: 120 x H: 74cm		37.008	46.260
L: 551-600 x W: 120 x H: 74cm	39.396	49.245			

Product no.	Variant	Lead time	PRICE EX. VAT (SEK)	PRICE INC. VAT (SEK)
133530	Linking device	Stock item	300	375
	Cut out for cable management	8 weeks	592	740
133353	Cable access set / Black	8 weeks	3.100	3.875
133354	Cable access set / Silver	8 weeks	3.100	3.875

* Please note that the cable access set is not pre-installed upon delivery
 * Please note that table tops over 300cm in length are comprised of 2 parts

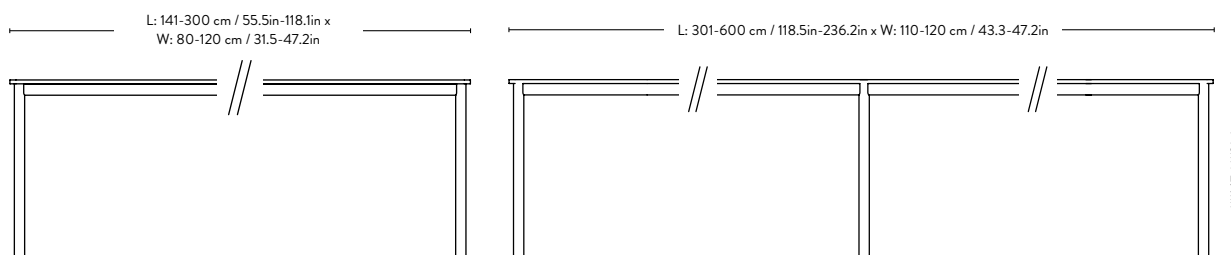
Material: Aluminium base, MDF tabletop with Forbo linoleum.
Base: Black or Bronzed.

All other colours are produced with a matching ABS edgeband.
 Wood veneer is produced with a matching edgeband.

Plastic gliders are installed as standard.
 Castors are available upon request.



EU Ecolabel certified, validating high standards of durability, circular design, and responsible use of chemicals.
 Please contact our sales team for a list of EU Ecolabel compliant combinations.



Drip Hee Welling 2021

Made to order

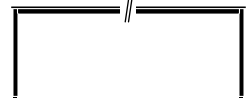


Table top	Base	Size	Lead time	PRICE EX. VAT (SEK)	PRICE INC. VAT (SEK)
Fenix NTM Nano Laminate	Black, Bronzed	L: 141-170 x W: 80 x H: 74cm	8 weeks	16.112	20.140
		L: 171-200 x W: 80 x H: 74cm		17.904	22.380
		L: 201-250 x W: 100 x H: 74cm		20.292	25.365
		L: 251-300 x W: 100 x H: 74cm		23.276	29.095
		L: 201-250 x W: 110 x H: 74cm		20.888	26.110
		L: 251-300 x W: 110 x H: 74cm		23.876	29.845
		L: 301-350 x W: 110 x H: 74cm		29.844	37.305
		L: 351-400 x W: 110 x H: 74cm		32.232	40.290
		L: 401-450 x W: 110 x H: 74cm		32.828	41.035
		L: 451-500 x W: 110 x H: 74cm		35.816	44.770
		L: 501-550 x W: 110 x H: 74cm		37.008	46.260
		L: 551-600 x W: 110 x H: 74cm		39.396	49.245
		L: 201-250 x W: 120 x H: 74cm		22.084	27.605
		L: 251-300 x W: 120 x H: 74cm		25.068	31.335
		L: 301-350 x W: 120 x H: 74cm		31.040	38.800
		L: 351-400 x W: 120 x H: 74cm		33.428	41.785
		L: 401-450 x W: 120 x H: 74cm		34.024	42.530
		L: 451-500 x W: 120 x H: 74cm		37.008	46.260
		L: 501-550 x W: 120 x H: 74cm		38.204	47.755
		L: 551-600 x W: 120 x H: 74cm		40.592	50.740

Product no.	Variant	Lead time	PRICE EX. VAT (SEK)	PRICE INC. VAT (SEK)
133530	Linking device	Stock item	300	375
	Cut out for cable management	8 weeks	592	740
133353	Cable access set / Black	8 weeks	3.100	3.875
133354	Cable access set / Silver	8 weeks	3.100	3.875

* Please note that the cable access set is not pre-installed upon delivery
 * Please note that table tops over 300cm in length are comprised of 2 parts

Material: Aluminium base, MDF tabletop with Fenix Nano laminate.
Base: Black or Bronzed.

All other colours are produced with a matching ABS edgeband.
 Wood veneer is produced with a matching edgeband.

Plastic gliders are installed as standard.
 Castors are available upon request.



EU Ecolabel certified, validating high standards of durability, circular design, and responsible use of chemicals.
 Please contact our sales team for a list of EU Ecolabel compliant combinations.

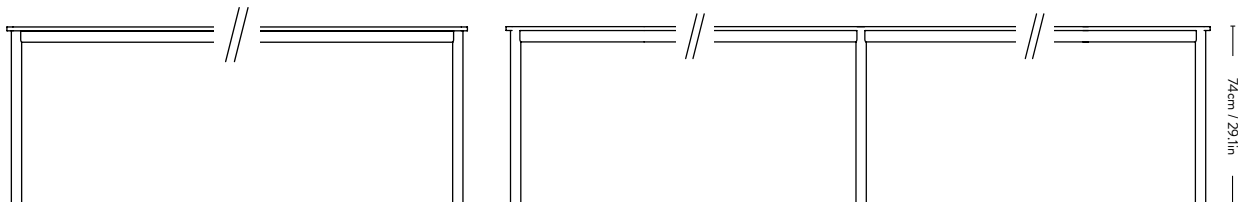


Veneer and Fenix Nano Laminate made using FSC® certified wood, supporting responsible environmental, social and economical management of the world's forests.
 Visit www.fsc.org

The mark of responsible forestry

L: 141-300 cm / 55.5in-118.1in x
 W: 80-120 cm / 31.5-47.2in

L: 301-600 cm / 118.5in-236.2in x W: 110-120 cm / 43.3-47.2in



Drip Made to order Hee Welling 2021

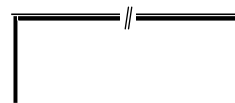


Table top	Base	Size	Lead time	PRICE EX. VAT (SEK)	PRICE INC. VAT (SEK)
Oak or Walnut Veneer	Black, Bronzed	L: 141-170 x W: 80 x H: 74cm	8 weeks	16.712	20.890
		L: 171-200 x W: 80 x H: 74cm		18.500	23.125
		L: 201-250 x W: 100 x H: 74cm		21.488	26.860
		L: 251-300 x W: 100 x H: 74cm		23.876	29.845
		L: 201-250 x W: 110 x H: 74cm		21.488	26.860
		L: 251-300 x W: 110 x H: 74cm		24.472	30.590
		L: 301-350 x W: 110 x H: 74cm		31.040	38.800
		L: 351-400 x W: 110 x H: 74cm		33.428	41.785
		L: 401-450 x W: 110 x H: 74cm		33.428	41.785
		L: 451-500 x W: 110 x H: 74cm		37.008	46.260
		L: 501-550 x W: 110 x H: 74cm		38.204	47.755
		L: 551-600 x W: 110 x H: 74cm		40.592	50.740
		L: 201-250 x W: 120 x H: 74cm		22.680	28.350
		L: 251-300 x W: 120 x H: 74cm		25.664	32.080
		L: 301-350 x W: 120 x H: 74cm		32.232	40.290
		L: 351-400 x W: 120 x H: 74cm		34.620	43.275
		L: 401-450 x W: 120 x H: 74cm		34.620	43.275
		L: 451-500 x W: 120 x H: 74cm		38.204	47.755
L: 501-550 x W: 120 x H: 74cm	39.396	49.245			
L: 551-600 x W: 120 x H: 74cm	41.784	52.230			

Product no.	Variant	Lead time	PRICE EX. VAT (SEK)	PRICE INC. VAT (SEK)
133530	Linking device	Stock item	300	375
	Cut out for cable management	8 weeks	592	740
133353	Cable access set / Black	8 weeks	3.100	3.875
133354	Cable access set / Silver	8 weeks	3.100	3.875

* Please note that the cable access set is not pre-installed upon delivery
 * Please note that table tops over 300cm in length are comprised of 2 parts

Material: Aluminium base, MDF tabletop with wood veneer.
Base: Black or Bronzed.

All other colours are produced with a matching ABS edgeband.
 Wood veneer is produced with a matching edgeband.

Plastic gliders are installed as standard.
 Castors are available upon request.



EU Ecolabel certified, validating high standards of durability, circular design, and responsible use of chemicals.

Please contact our sales team for a list of EU Ecolabel compliant combinations.

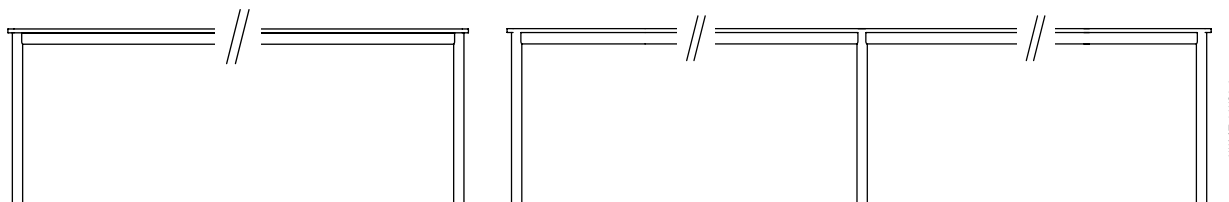


Oak and Walnut veneer made using FSC® certified wood, supporting responsible environmental, social and economical management of the world's forests. Visit www.fsc.org

The mark of responsible forestry

L: 141-300 cm / 55.5in-118.1in x
 W: 80-120 cm / 31.5-47.2in

L: 301-600 cm / 118.5in-236.2in x W: 110-120 cm / 43.3-47.2in



Ita OS1 & OS2

OEO Studio

2025



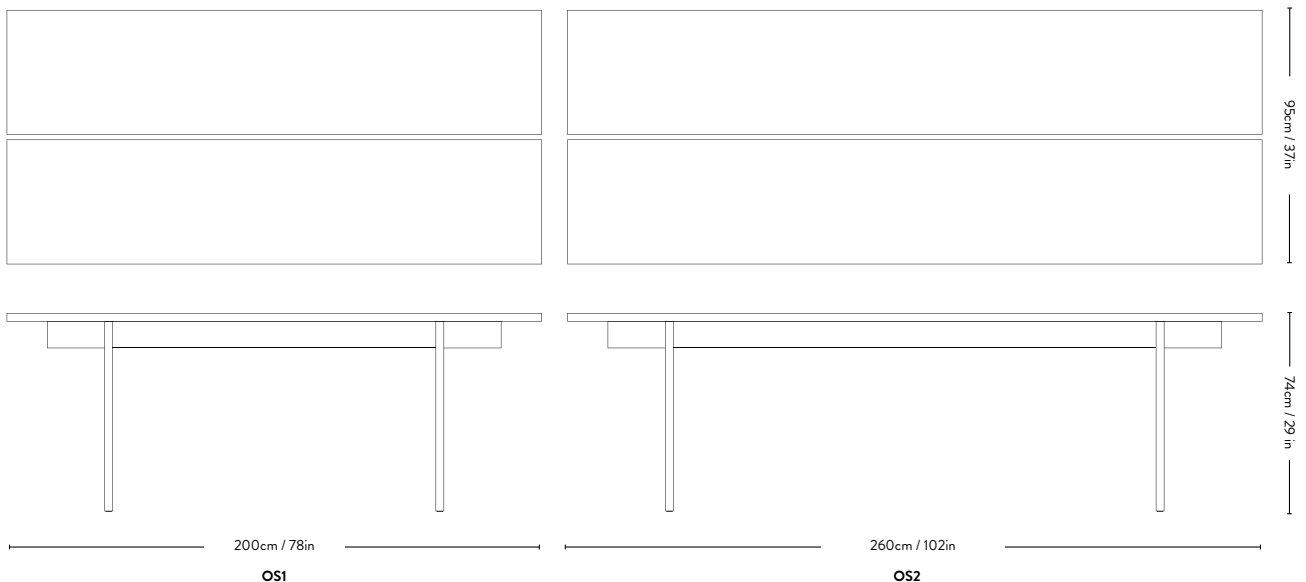
Product no.	Variant	Product code	Size	Colli qty.	Lead time	Weight	PRICE EX. VAT (SEK)	PRICE INC. VAT (SEK)
139989A469	Oak	OS1	200 x 95 cm	1 pc	Stock item	59.00 kg	21.488	26.860
139990A526	Dark Stained Oak	OS1	200 x 95 cm	1 pc	Stock item	59.00 kg	21.488	26.860
140043A469	Oak w. Cable Management	OS1	200 x 95 cm	1 pc	Stock item	59.00 kg	23.876	29.845
139992A526	Dark Stained Oak w. Cable Management	OS1	200 x 95 cm	1 pc	Stock item	59.00 kg	23.876	29.845
139993A469	Oak	OS2	260 x 95 cm	1 pc	Stock item	70.50 kg	23.876	29.845
139994A526	Dark Stained Oak	OS2	260 x 95 cm	1 pc	Stock item	70.50 kg	23.876	29.845
139995A469	Oak w. Cable Management	OS2	260 x 95 cm	1 pc	Stock item	70.50 kg	26.264	32.830
139996A526	Dark Stained Oak w. Cable Management	OS2	260 x 95 cm	1 pc	Stock item	70.50 kg	26.264	32.830



Made using FSC® certified wood, supporting responsible environmental, social and economical management of the world's forests. Visit www.fsc.org

Material: MDF, oak veneer and solid oak edges.

Plastic gliders are installed as standard.



Ita OS3 & OS4

OEO Studio

2025



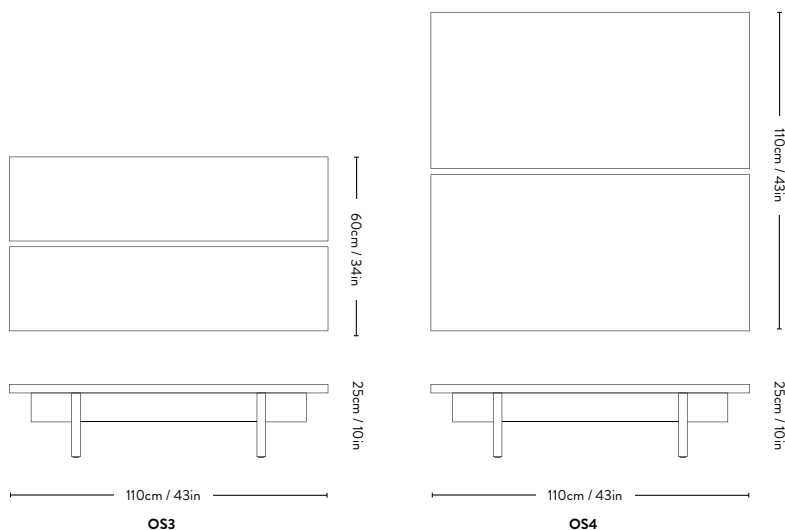
Product no.	Variant	Product code	Size	Colli qty.	Lead time	Weight	PRICE EX. VAT (SEK)	PRICE INC. VAT (SEK)
139998A469	Oak	OS3	110 x 60 cm	1 pc	Stock item	19.50 kg	11.936	14.920
139999A526	Dark Stained Oak	OS3	110 x 60 cm	1 pc	Stock item	19.50 kg	11.936	14.920
140000A469	Oak	OS4	110 x 110 cm	1 pc	Stock item	33.50 kg	14.324	17.905
140001A526	Dark Stained Oak	OS4	110 x 110 cm	1 pc	Stock item	33.50 kg	14.324	17.905



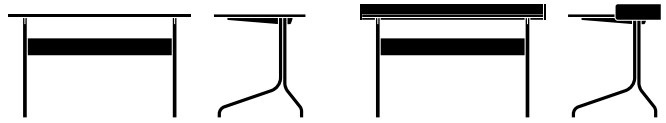
Made using FSC® certified wood, supporting responsible environmental, social and economical management of the world's forests. Visit www.fsc.org

Material: MDF, oak veneer and solid oak.

Plastic gliders are installed as standard.



Pavilion AV16 & AV17 Anderssen & Voll 2021



Product no.	Variant	Product code	Colli qty.	Lead time	Weight	PRICE EX. VAT (SEK)	PRICE INC. VAT (SEK)
132984A335A062	Black Linoleum (4023) w. black oak & black base	AV16	1 pc	Stock item	23.30 kg	13.724	17.155
132985A333A063	Mushroom Linoleum (4176) w. oak & chrome base	AV16	1 pc	Stock item	23.30 kg	13.724	17.155
132985A273A064	Charcoal Linoleum (4166) w. Lacquered walnut & chrome base	AV16	1 pc	Stock item	23.30 kg	13.724	17.155
132986A333A063	Mushroom Linoleum (4176) w. oak & chrome base	AV17	1 pc	Stock item	24.20 kg	16.112	20.140
132986A273A064	Charcoal Linoleum (4166) w. Lacquered walnut & chrome base	AV17	1 pc	Stock item	24.20 kg	16.112	20.140

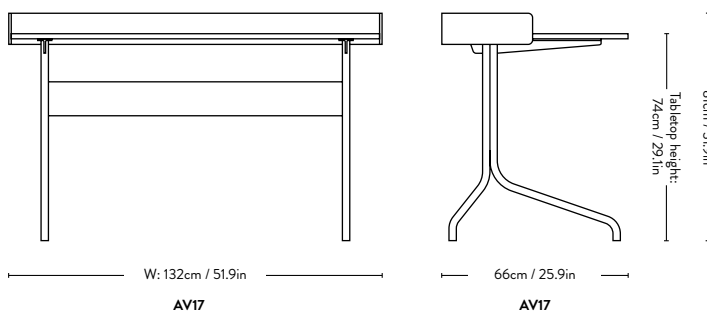
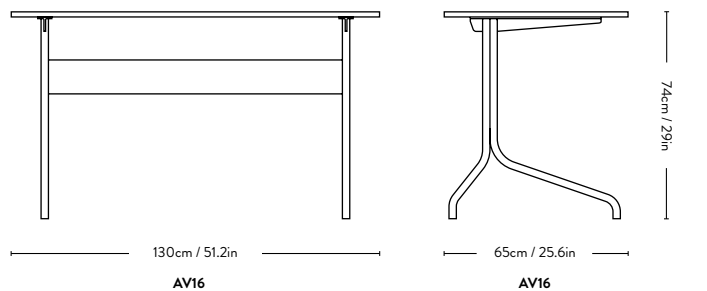


Made using FSC® certified wood, supporting responsible environmental, social and economical management of the world's forests. Visit www.fsc.org

Material: Steel, Water based lacquered veneer, MDF

Plastic gliders are installed as standard.

Cut out and cable management available upon request with a minimum order quantity of same variant of 10 pcs (Lead time 6-8 weeks).



Pavilion AV18, AV19 & AV24



Anderssen & Voll 2022



Product no.	Top	Size	Base	Product code	Colli qty.	Lead time	Weight	PRICE EX. VAT (SEK)	PRICE INC. VAT (SEK)
132991A276A086 132992A276A086	Oak	90x160cm	Black Chrome	AV18	1 pc	Stock item	44.0 kg	16.712 16.712	20.890 20.890
132991A262A087 132992A262A087	Black Oak	90x160cm	Black Chrome	AV18	1 pc	Stock item	44.0 kg	16.712 16.712	20.890 20.890
132991A280A089 132992A280A089	Walnut	90x160cm	Black Chrome	AV18	1 pc	Stock item	44.0 kg	17.308 17.308	21.635 21.635
132993A276A086 132994A276A086	Oak	90x200cm	Black Chrome	AV19	1 pc	Stock item	53.5 kg	17.904 17.904	22.380 22.380
132993A262A087 132994A262A087	Black Oak	90x200cm	Black Chrome	AV19	1 pc	Stock item	53.5 kg	17.904 17.904	22.380 22.380
132993A280A089 132994A280A089	Walnut	90x200cm	Black Chrome	AV19	1 pc	Stock item	53.5 kg	18.500 18.500	23.125 23.125
132995A276A086 132996A276A086	Oak	110x250cm	Black Chrome	AV24	1 pc	Stock item	62.0 kg	24.472 24.472	30.590 30.590
132995A262A087 132996A262A087	Black Oak	110x250cm	Black Chrome	AV24	1 pc	Stock item	62.0 kg	24.472 24.472	30.590 30.590
132995A280A089 132996A280A089	Walnut	110x250cm	Black Chrome	AV24	1 pc	Stock item	62.0 kg	25.664 25.664	32.080 32.080

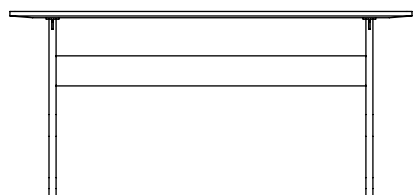


Made using FSC® certified wood, supporting responsible environmental, social and economical management of the world's forests. Visit www.fsc.org

Material: Steel, Water based lacquered veneer, MDF

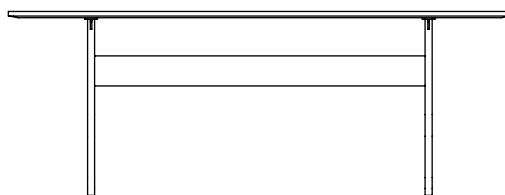
Plastic gliders are installed as standard.

Cut out and cable management available upon request with a minimum order quantity of same variant of 10 pcs (Lead time 6-8 weeks).



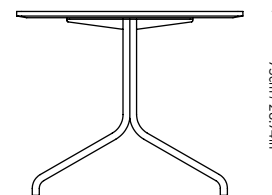
W: 160cm / 62.9in

AV18



W: 200cm / 78.74in

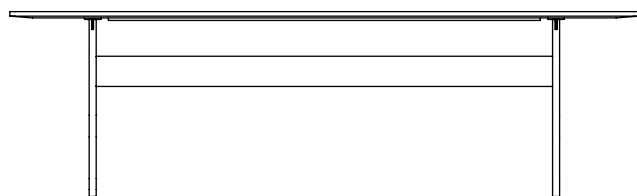
AV19



D: 90cm / 35.43in

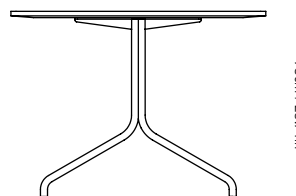
AV18 / AV19

73cm / 28.74in



W: 250cm / 98.42in

AV24



D: 110cm / 43.31in

AV24

73cm / 28.74in

Daystak RD2 & RD3

Robin Day

1951



Product no.	Tabletop	Base	Product code	Colli qty.	Lead time	Weight	PRICE EX. VAT (SEK)	PRICE INC. VAT (SEK)
137917	Beech	Beech	RD2	1 pc	Stock item	17.60 kg	13.128	16.410
137918	Fenix Nano laminate in Verde Comodoro (0750)	Beech	RD2	1 pc	Stock item	17.60 kg	13.128	16.410
137919	Beech	Beech	RD3	1 pc	Stock item	18.10 kg	17.308	21.635
137920	Fenix Nano laminate in Verde Comodoro (0750)	Beech	RD3	1 pc	Stock item	18.10 kg	17.308	21.635

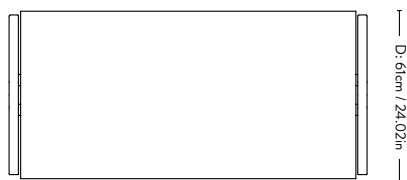


Made using FSC® certified wood, supporting responsible environmental, social and economical management of the world's forests. Visit www.fsc.org

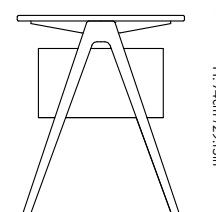
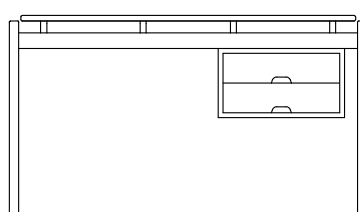
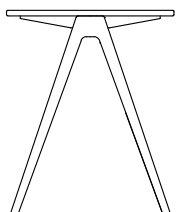
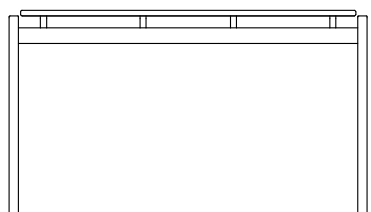
Material: Water based laquered beech, beech veneer, Fenix Nano laminate.

Plastic gliders are installed as standard.

RD2: Stacking quantity: 3 pcs



Drawer:
H: 25.2cm / 9.92in
W: 46cm / 18.11in
D: 45.5cm / 17.91in



W: 130cm / 51.18in

D: 61cm / 24.02in

W: 130cm / 51.18in

D: 61cm / 24.02in

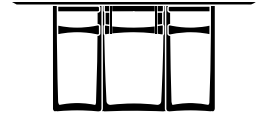
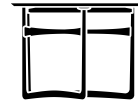
RD2

RD2

RD3

RD3

Drop Leaf ^{HM5 & HM6} Hvidt & Mølgaard 1956



Product no.	Variant	Size	Base	Product code	Colli qty.	Lead time	Weight	PRICE EX. VAT (SEK)	PRICE INC. VAT (SEK)
132276A004	Coffee table	80x78cm	Oak	HM5	1 pc	Stock item	11.00 kg	11.936	14.920
132276A001	Coffee table	80x78cm	Walnut	HM5	1 pc	Stock item	11.00 kg	17.308	21.635
132277A004	Dining table	142x163cm	Oak	HM6	1 pc	Stock item	41.00 kg	44.772	55.965
132277A001	Dining table	142x163cm	Walnut	HM6	1 pc	Stock item	36.00 kg	58.500	73.125

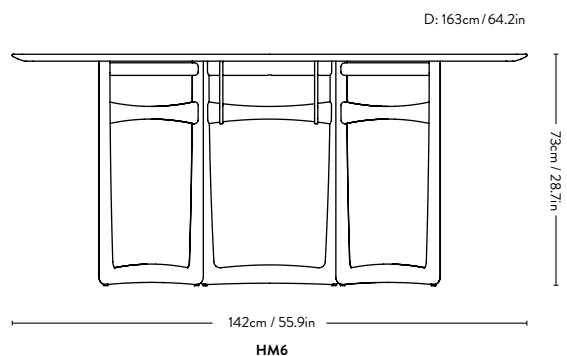
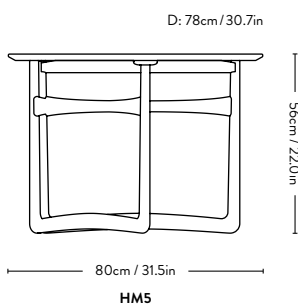


Oak made using FSC® certified wood, supporting responsible environmental, social and economical management of the world's forests. Visit www.fsc.org

Frame Variant

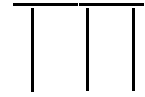
Frame	Variant
Oak	Oiled Oak
Walnut	Oiled Walnut

Material: Solid wood & Brass.



Pinwheel ^{HM7}

Hvidt & Mølgaard 1953



Product no.	Variant	Base	Colli qty.	Lead time	Weight	PRICE EX. VAT (SEK)	PRICE INC. VAT (SEK)
132278A004	Oiled Oak	Brass	1 pc	Stock item	4.00 kg	4.772	5.965
132279A004	Oiled Oak	Stainless Steel	1 pc	Stock item	4.00 kg	4.772	5.965
132278A001	Oiled Walnut	Brass	1 pc	Stock item	4.00 kg	5.964	7.455
132279A001	Oiled Walnut	Stainless Steel	1 pc	Stock item	4.00 kg	5.964	7.455

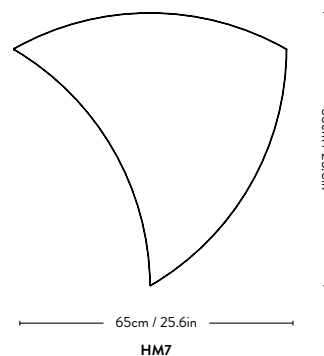
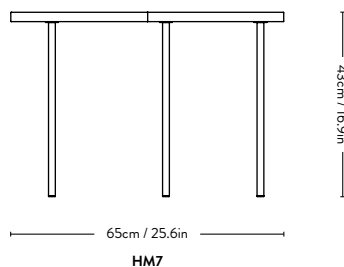


Made using FSC® certified wood, supporting responsible environmental, social and economical management of the world's forests. Visit www.fsc.org

Frame Variant

Oak	Oiled Oak
Walnut	Oiled Walnut

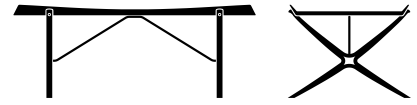
Material: Solid oak or walnut, brass & stainless steel.



X HM13



Hvidt & Mølgaard 1959



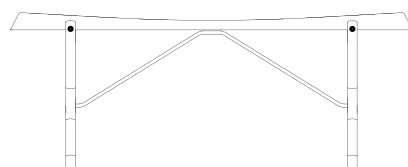
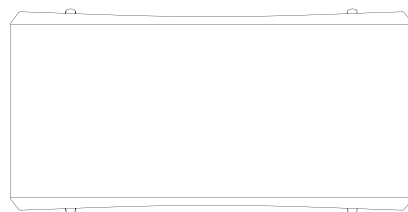
Product no.	Variant	Colli qty.	Lead time	Weight	PRICE EX. VAT (SEK)	PRICE INC. VAT (SEK)
138706A306	Oak with walnut inserts	1 pc	Stock item	12.50 kg	14.920	18.650



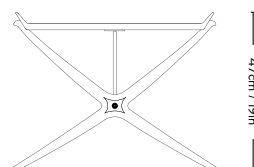
Made using FSC® certified wood, supporting responsible environmental, social and economical management of the world's forests. Visit www.fsc.org

Material: Water based lacquered oak veneer w. solid walnut inserts, powder-coated steel.

Plastic gliders installed as standard.



120cm / 47in
HM13



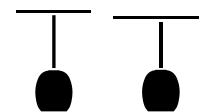
61cm / 24in
HM13

47cm / 19in

Lato LN8 & LN9



Luca Nichetto 2018



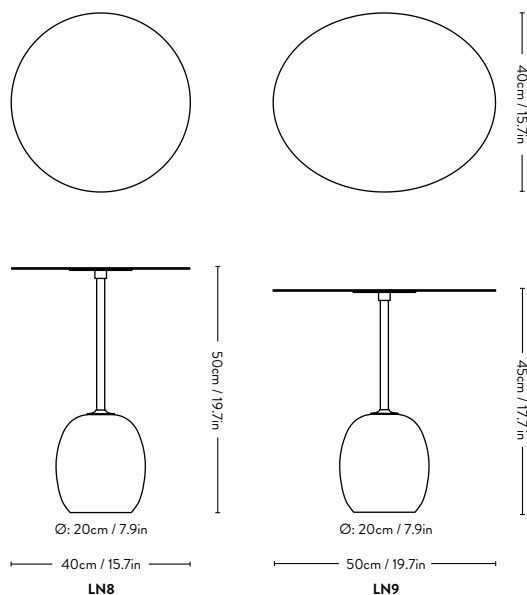
Product no.	Variant	Size	Product code	Colli qty.	Lead time	Weight	PRICE EX. VAT (SEK)	PRICE INC. VAT (SEK)
133027A408	Warm Black w. Emparador Marble	Ø40cm	LN8	1 pc	Stock item	19.50 kg	4.532	5.665
133029A304	Ivory white w. Crema Diva Marble	Ø40cm	LN8	1 pc	Stock item	19.50 kg	4.532	5.665
133031A288	Deep Green w. Verde Alpi	Ø40cm	LN8	1 pc	Stock item	19.50 kg	4.532	5.665
133028A309	Walnut w. Emparador marble	Ø40cm	LN8	1 pc	Stock item	19.00 kg	5.248	6.560
133030A306	Oak w. Crema Diva marble	Ø40cm	LN8	1 pc	Stock item	19.00 kg	5.008	6.260
133032A408	Warm Black w. Emparador Marble	40x50cm	LN9	1 pc	Stock item	20.10 kg	4.532	5.665
133034A304	Ivory white w. Crema Diva Marble	40x50cm	LN9	1 pc	Stock item	20.10 kg	4.532	5.665
133036A288	Deep Green w. Verde Alpi	40x50cm	LN9	1 pc	Stock item	20.10 kg	4.532	5.665
133033A309	Walnut w. Emparador marble	40x50cm	LN9	1 pc	Stock item	19.00 kg	5.248	6.560
133035A306	Oak w. Crema Diva marble	40x50cm	LN9	1 pc	Stock item	19.00 kg	5.008	6.260



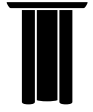
Walnut w. Emparador Marble and Oak w. Crema Diva Marble made using FSC® certified wood, supporting responsible environmental, social and economical management of the world's forests. Visit www.fsc.org

Material: Marble and powder coated steel or water based lacquered veneer.

Felt gliders installed as standard.



Tung^{JA3} John Astbury 2022



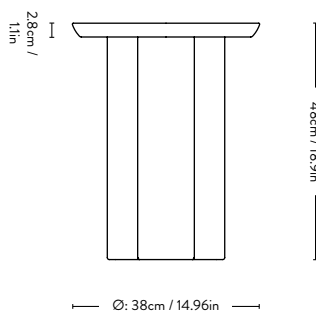
Product no.	Variant	Colli qty.	Lead time	Weight	PRICE EX. VAT (SEK)	PRICE INC. VAT (SEK)
133023A368	Steel Blue	1 pc	Stock item	10.80 kg	4.172	5.215
133023A271	Burgundy Red	1 pc	Stock item	10.80 kg	4.172	5.215



Made using FSC® certified wood, supporting responsible environmental, social and economical management of the world's forests. Visit www.fsc.org

Material: Lacquered MDF

Felt glider pads

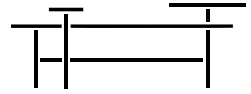


JA3

Palette JH7

Jaime Hayon

2015



Product no.	Variant	Colli qty.	Lead time	Weight	PRICE EX. VAT (SEK)	PRICE INC. VAT (SEK)
133024	Brass, Nero Marquina marble, Black Ash veneer	1 pc	Stock item	19,00 kg	12.532	15.665

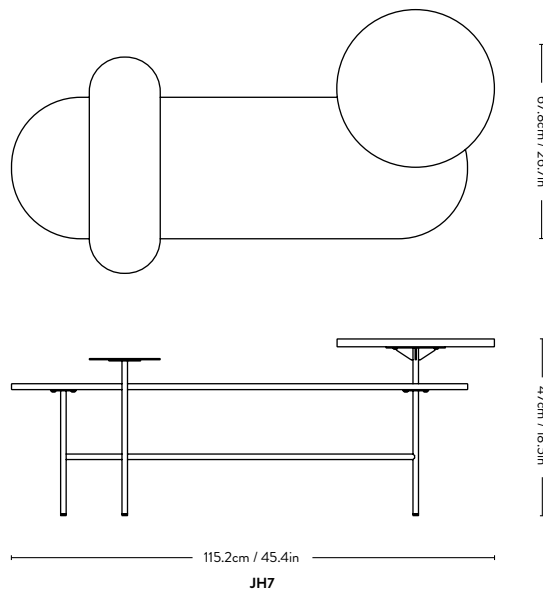


Made using FSC® certified wood, supporting responsible environmental, social and economical management of the world's forests. Visit www.fsc.org

Base	Variant
Steel	Black Powder Coated

Table top	Variant
Metal	Satin polished brass
Marble	Polished Nero Marquina
Wood	Water Based Lacquered Ash veneer

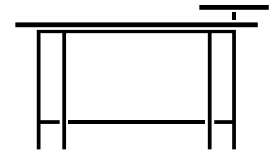
Plastic gliders installed as standard.



Palette JH9

Jaime Hayon

2015



Product no.	Variant	Colli qty.	Lead time	Weight	PRICE EX. VAT (SEK)	PRICE INC. VAT (SEK)
133025	Nero Marquina marble, Black Ash veneer	1 pc	Stock item	22.00 kg	19.100	23.875

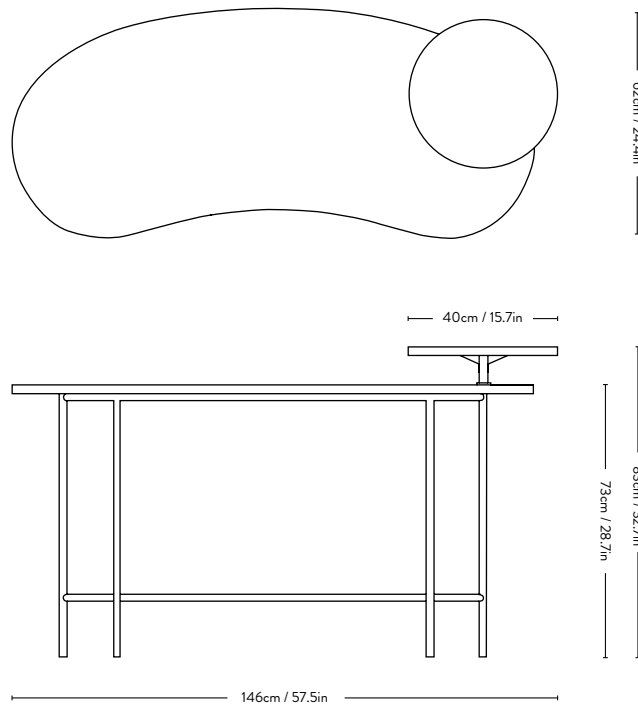


Made using FSC® certified wood, supporting responsible environmental, social and economical management of the world's forests. Visit www.fsc.org

Base	Colour
Steel	Black Powder Coated

Table top	Variant
Marble	Polished Nero Marquina
Wood	Water Based Lacquered Ash veneer

Plastic gliders installed as standard.

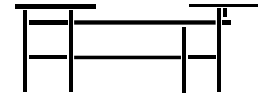


JH9

Palette ^{JH25}

Jaime Hayon

2018



Product no.	Variant	Colli qty.	Lead time	Weight	PRICE EX. VAT (SEK)	PRICE INC. VAT (SEK)
133026	Brass, Nero Marquina marble, Black Ash veneer	1 pc	Stock item	38.00 kg	22.680	28.350

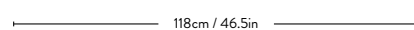
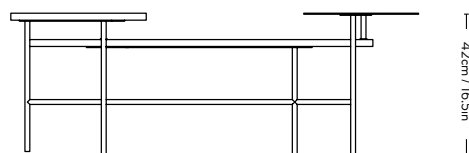
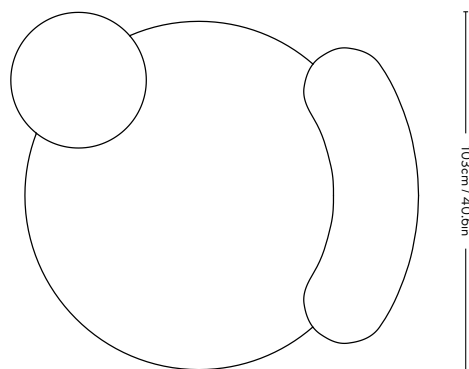


Made using FSC® certified wood, supporting responsible environmental, social and economical management of the world's forests. Visit www.fsc.org

Base	Variant
Steel	Black Powder Coated

Table top	Variant
Metal	Satin polished brass
Marble	Polished Nero Marquina
Wood	Water Based Lacquered Ash veneer

Plastic gliders installed as standard.



JH25

Halten ^{SH9}

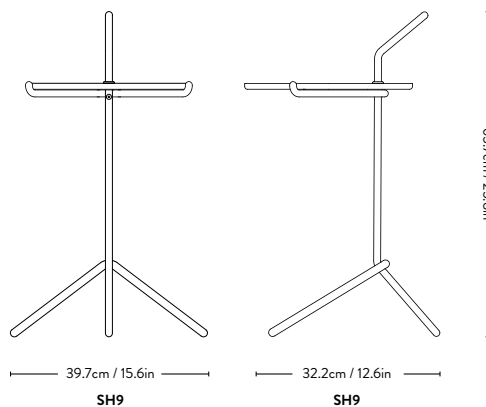
Sebastian Herkner

2024



Product no.	Variant	Colli qty.	Lead time	Weight	PRICE EX. VAT (SEK)	PRICE INC. VAT (SEK)
135522A428	Smoked Glass w. Warm black	1 pc	Stock item	6.74 kg	4.172	5.215
135521A427	Verde Guatemala w. Warm black	1 pc	Stock item	6.96 kg	3.816	4.770
135524A428	Smoked Glass w. Polished stainless steel	1 pc	Stock item	6.74 kg	4.412	5.515
135523A427	Verde Guatemala w. Polished stainless steel	1 pc	Stock item	6.96 kg	4.056	5.070

Materials: Steel, marble and cast glass



NEW

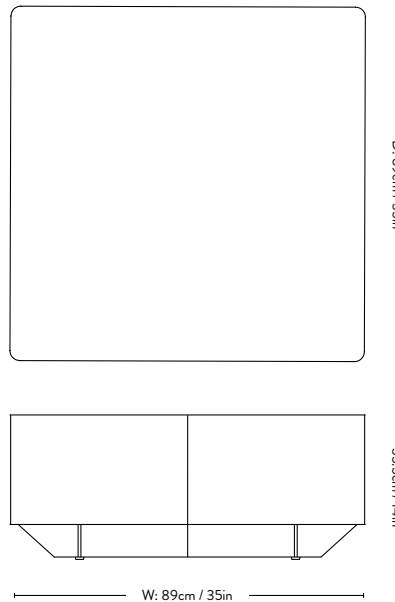
Develius ^{EV3} Edward van Vliet 2026



Product no.	Variant	Colli qty.	Lead time	Weight	PRICE EX. VAT (SEK)	PRICE INC. VAT (SEK)
155881A410	Ivory	1 pc	Stock item	55.00 kg	7.160	8.950
155881A576	Stone Grey	1 pc	Stock item	55.00 kg	7.160	8.950

Material: Powder coated steel

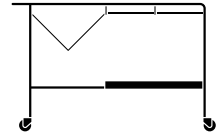
Plastic gliders installed as standard



Alima ^{NDS1}

Note Design Studio

2022

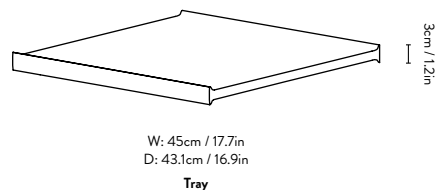
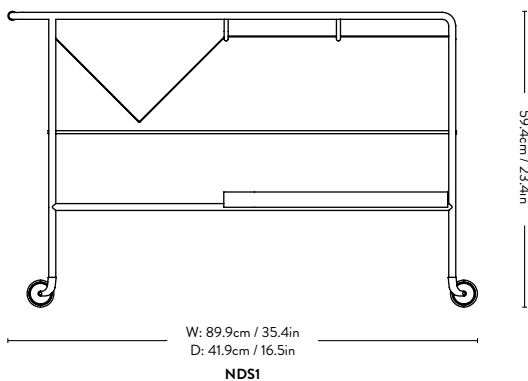


Product no.	Variant	Tray	Colli qty.	Lead time	Weight	PRICE EX. VAT (SEK)	PRICE INC. VAT (SEK)
133046A307	Chrome w. cognac leather handle	Oak	1 pc	Stock item	10.0 kg	7.756	9.695
133046A310	Chrome w. cognac leather handle	Walnut	1 pc	Stock item	10.0 kg	7.756	9.695
133045A307	Matt black w. black leather handle	Oak	1 pc	Stock item	10.0 kg	7.756	9.695
133045A310	Matt black w. black leather handle	Walnut	1 pc	Stock item	10.0 kg	7.756	9.695



Made using FSC® certified wood, supporting responsible environmental, social and economical management of the world's forests. Visit www.fsc.org

Material: Steel / Powder coated steel trolley.
Walnut / Oak trays. Leather handle. Castors.



Guild HM14 & HM15



Hvidt & Mølgaard 1954



Product no.	Variant	Size	Product code	Colli qty.	Lead time	Weight	PRICE EX. VAT (SEK)	PRICE INC. VAT (SEK)
139983A250	Oak	75x22.5 cm	HM14	1 pc	Stock item	3.40 kg	3.576	4.470
139983A248	Walnut	75x22.5 cm	HM14	1 pc	Stock item	3.00 kg	4.172	5.215
139984A250	Oak	120x25 cm	HM15	1 pc	Stock item	4.70 kg	5.368	6.710
139984A248	Walnut	120x25 cm	HM15	1 pc	Stock item	3.90 kg	5.964	7.455



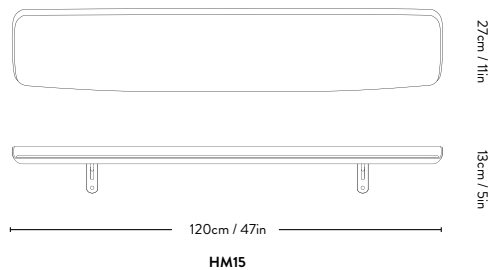
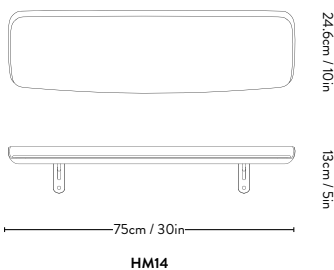
EU Ecolabel certified, validating high standards of durability, circular design, and responsible use of chemicals. Please contact our sales team for a list of EU Ecolabel compliant combinations.

Material: Solid oak or walnut and powder-coated aluminium.

Weight capacity 10 kg

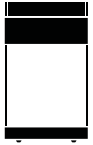


Made using FSC® certified wood, supporting responsible environmental, social and economical management of the world's forests. Visit www.fsc.org



Rotate SC73

Space Copenhagen 2022



Product no.	Variant	Colli qty.	Lead time	Weight	PRICE EX. VAT (SEK)	PRICE INC. VAT (SEK)
133044A372	Terracotta	1 pc	Stock item	14.75 kg	3.576	4.470
133044A298	Hunter	1 pc	Stock item	14.75 kg	3.576	4.470
133044A303	Ivory	1 pc	Stock item	14.75 kg	3.576	4.470
133044A328	Merlot	1 pc	Stock item	14.75 kg	3.576	4.470
133044A523	Cobalt Blue	1 pc	Stock item	14.75 kg	3.576	4.470
133044A524	Dark Plum	1 pc	Stock item	14.75 kg	3.576	4.470
133044A525	Stone Grey	1 pc	Stock item	14.75 kg	3.576	4.470



EU Ecolabel certified, validating high standards of durability, circular design, and responsible use of chemicals. Please contact our sales team for a list of EU Ecolabel compliant combinations.

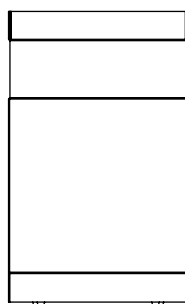
Material: Powder coated steel, MDF, castors.



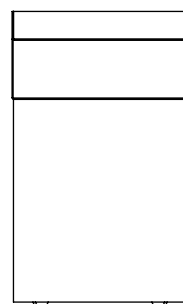
Made using FSC® certified wood, supporting responsible environmental, social and economical management of the world's forests. Visit www.fsc.org

The mark of responsible forestry

Thickness:
0.2cm / 0.08in



W: 35cm / 13.78in



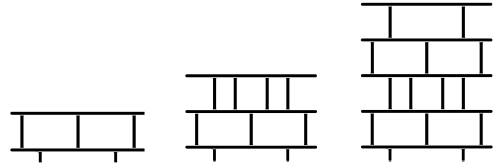
D: 35cm / 13.78in

59cm / 23.23in

Archivo JH43, JH44 & JH45

Jaime Hayon

2024



Product no.	Variant	Product code	Colli qty.	Lead time	Weight	PRICE EX. VAT (SEK)	PRICE INC. VAT (SEK)
138380A468	Sky Blue	JH43	1 pc	Stock item	30.00 kg	9.548	11.935
138380A491	Black Grey	JH43	1 pc	Stock item	30.00 kg	9.548	11.935
138380A469	Oak	JH43	1 pc	Stock item	30.00 kg	14.324	17.905
138381A468	Sky Blue	JH44	1 pc	Stock item	48.50 kg	15.516	19.395
138381A491	Black Grey	JH44	1 pc	Stock item	48.50 kg	15.516	19.395
138381A469	Oak	JH44	1 pc	Stock item	48.50 kg	23.876	29.845
138382A468	Sky Blue	JH45	1 pc	Stock item	80.50 kg	23.876	29.845
138382A491	Black Grey	JH45	1 pc	Stock item	80.50 kg	23.876	29.845
138382A469	Oak	JH45	1 pc	Stock item	80.50 kg	35.816	44.770



Made using FSC® certified wood, supporting responsible environmental, social and economical management of the world's forests. Visit www.fsc.org

Material:

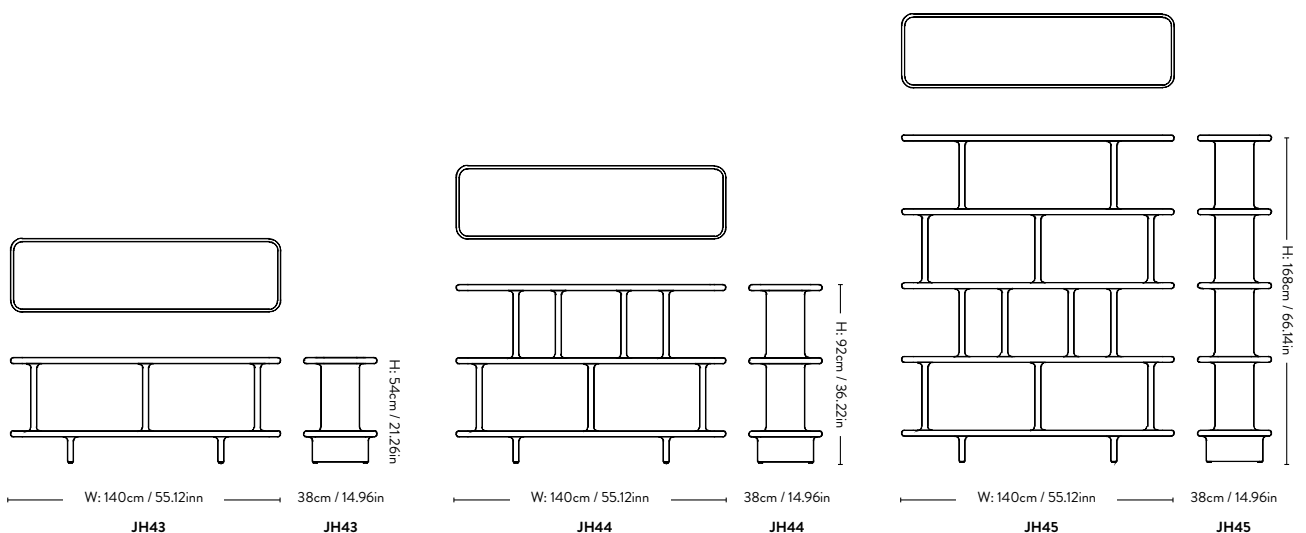
Sky Blue & Black Grey: MDF, water-based lacquer.

Oak: Solid oak, oak veneer, MDF, water-based lacquer.

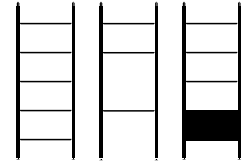
Plastic gliders are installed as standard.

Spare part single shelf is available .

Please refer to the 'Spare Parts' section.



Rombe IF1, IF2 & IF3 Industrial Facility 2025

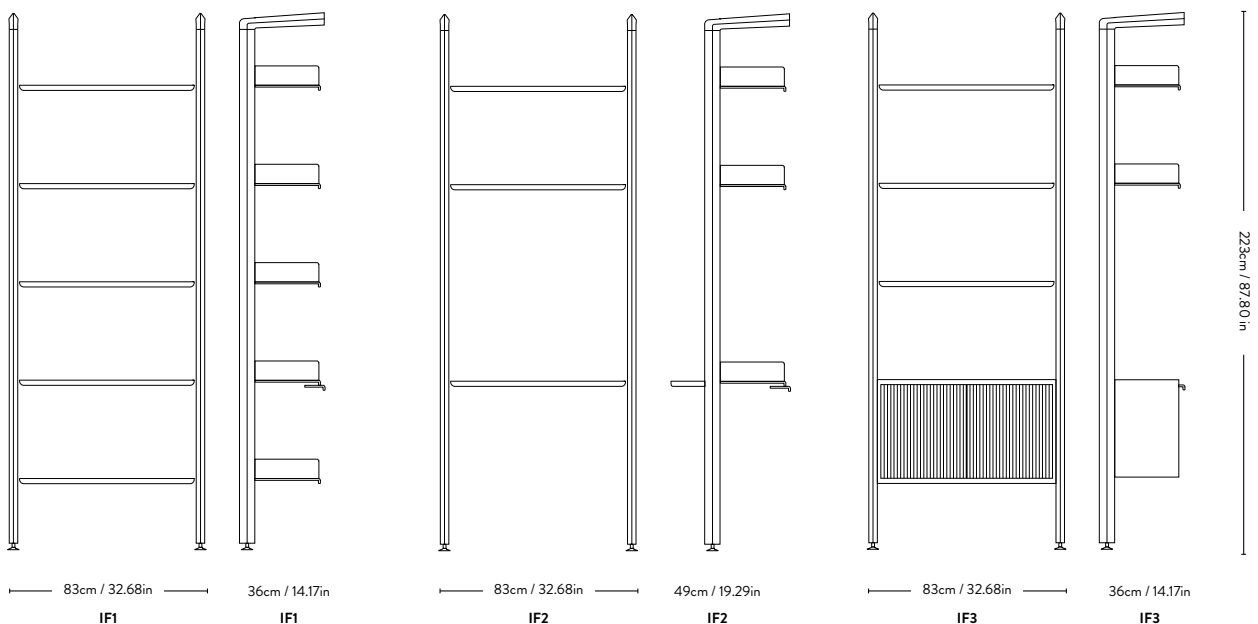


Product no.	Product	Product code	Variant	Lead time	Weight	PRICE EX. VAT (SEK)	PRICE INC. VAT (SEK)
146219A544	Rombe Full Bay Shelves	IF1	Alabaster w. Alabaster shelves	Stock item	30.30 kg	8.316	10.395
146219A542			Alabaster w. Lacquered Oak shelves	Stock item	28.00 kg	9.512	11.890
146220A545			Anthracite w. Anthracite shelves	Stock item	30.30 kg	8.316	10.395
146220A543			Anthracite w. Lacquered Walnut shelves	Stock item	28.00 kg	9.512	11.890
146223A544	Rombe Full Bay Desk	IF2	Alabaster w. Alabaster shelves	Stock item	22.00 kg	7.252	9.065
146223A542			Alabaster w. Lacquered Oak shelves	Stock item	20.90 kg	7.732	9.665
146224A545			Anthracite w. Anthracite shelves	Stock item	22.00 kg	7.252	9.065
146224A543			Anthracite w. Lacquered Walnut shelves	Stock item	20.90 kg	7.732	9.665
146227A544	Rombe Full Bay Cabinet	IF3	Alabaster w. Alabaster shelves	Stock item	48.00 kg	9.996	12.495
146227A542			Alabaster w. Lacquered Oak shelves	Stock item	46.20 kg	10.712	13.390
146228A545			Anthracite w. Anthracite shelves	Stock item	48.00 kg	9.996	12.495
146228A543			Anthracite w. Lacquered Walnut shelves	Stock item	46.20 kg	10.712	13.390

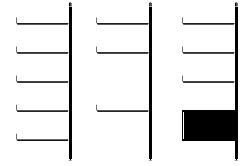


Made using FSC® certified wood, supporting responsible environmental, social and economical management of the world's forests. Visit www.fsc.org

Material: Aluminium, steel, wood venner, MDF, glass



Rombe IF4, IF5 & IF6 Industrial Facility 2025



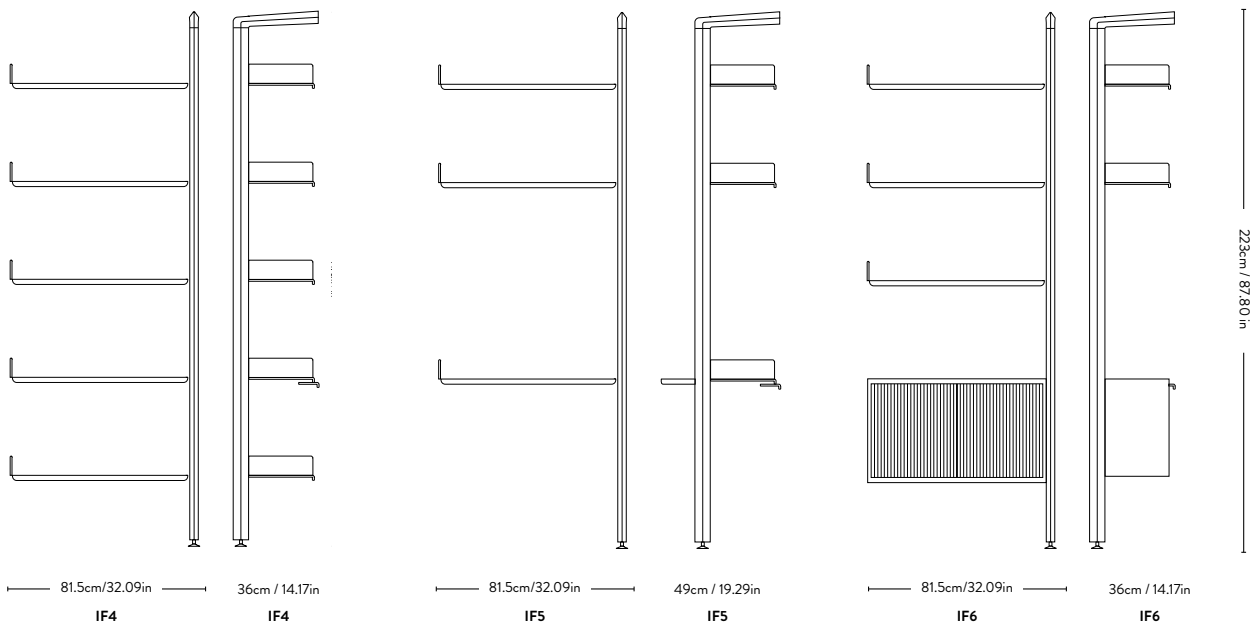
Product no.	Product	Product code	Variant	Lead time	Weight	PRICE EX. VAT (SEK)	PRICE INC. VAT (SEK)
146231A544	Rombe Add-on Bay Shelves IF4		Alabaster w. Alabaster shelves	Stock item	26.90 kg	6.532	8.165
146231A542			Alabaster w. Lacquered Oak shelves	Stock item	24.60 kg	7.724	9.655
146232A545			Anthracite w. Anthracite shelves	Stock item	26.90 kg	6.532	8.165
146232A543			Anthracite w. Lacquered Walnut shelves	Stock item	24.60 kg	7.724	9.655
146235A544	Rombe Add-on Bay Desk IF5		Alabaster w. Alabaster shelves	Stock item	18.60 kg	5.468	6.835
146235A542			Alabaster w. Lacquered Oak shelves	Stock item	17.50 kg	5.948	7.435
146236A545			Anthracite w. Anthracite shelves	Stock item	18.60 kg	5.468	6.835
146236A543			Anthracite w. Lacquered Walnut shelves	Stock item	17.50 kg	5.948	7.435
146239A544	Rombe Add-on Bay Cabinet IF6		Alabaster w. Alabaster shelves	Stock item	44.50 kg	8208	10260
146239A542			Alabaster w. Lacquered Oak shelves	Stock item	42.90 kg	8924	11155
146240A545			Anthracite w. Anthracite shelves	Stock item	44.50 kg	8208	10260
146240A543			Anthracite w. Lacquered Walnut shelves	Stock item	42.90 kg	8924	11155

Product no.	Product	Variant	Lead time	PRICE EX. VAT (SEK)	PRICE INC. VAT (SEK)
146243 A544	Shelf Rombe 1 pc Steel	Alabaster shelves	Stock item	948	1.185
146243 A545	Shelf Rombe 1 pc Steel	Anthracite shelves	Stock item	948	1.185
146244 A542	Shelf Rombe 1 pc Veneer	Lacquered oak shelves	Stock item	1.188	1.485
146244 A543	Shelf Rombe 1 pc Veneer	Lacquered walnut shelves	Stock item	1.188	1.485
146267 A544	Cabinet Shelf Rombe IF3 & IF6 1 pc Steel	Alabaster shelves	Stock item	712	890
146267 A545	Cabinet Shelf Rombe IF3 & IF6 1 pc Steel	Anthracite shelves	Stock item	712	890

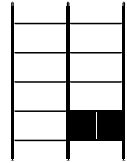


Made using FSC® certified wood, supporting responsible environmental, social and economical management of the world's forests. Visit www.fsc.org

Material: Aluminium, steel, wood veneer, MDF, glass

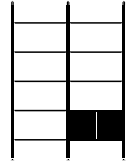


Rombe IF1-IF6 Industrial Facility 2025



Product no.	Product code	Variant	Lead time	PRICE EX. VAT (SEK)	PRICE INC. VAT (SEK)
146462A544	Configuration A (IF1, IF4)	Alabaster w. Alabaster shelves	Stock item	14.848	18.560
146462A542		Alabaster w. Lacquered Oak shelves	Stock item	17.236	21.545
146498A545		Anthracite w. Anthracite shelves	Stock item	14.848	18.560
146498A543		Anthracite w. Lacquered Walnut shelves	Stock item	17.236	21.545
146463A544	Configuration B (IF1, IF5)	Alabaster w. Alabaster shelves	Stock item	13.784	17.230
146463A542		Alabaster w. Lacquered Oak shelves	Stock item	15.456	19.320
146499A545		Anthracite w. Anthracite shelves	Stock item	13.784	17.230
146499A543		Anthracite w. Lacquered Walnut shelves	Stock item	15.456	19.320
146464A544	Configuration C (IF1, IF6)	Alabaster w. Alabaster shelves	Stock item	16.524	20.655
146464A542		Alabaster w. Lacquered Oak shelves	Stock item	18.436	23.045
146500A545		Anthracite w. Anthracite shelves	Stock item	16.524	20.655
146500A543		Anthracite w. Lacquered Walnut shelves	Stock item	18.436	23.045
146465A544	Configuration D (IF3, IF5)	Alabaster w. Alabaster shelves	Stock item	15.464	19.330
146465A542		Alabaster w. Lacquered Oak shelves	Stock item	16.656	20.820
146501A545		Anthracite w. Anthracite shelves	Stock item	15.464	19.330
146501A543		Anthracite w. Lacquered Walnut shelves	Stock item	16.656	20.820
146466A544	Configuration E (IF3, IF6)	Alabaster w. Alabaster shelves	Stock item	18.204	22.755
146466A542		Alabaster w. Lacquered Oak shelves	Stock item	19.636	24.545
146502A545		Anthracite w. Anthracite shelves	Stock item	18.204	22.755
146502A543		Anthracite w. Lacquered Walnut shelves	Stock item	19.636	24.545
146467A544	Configuration F (IF1, IF4, IF4)	Alabaster w. Alabaster shelves	Stock item	21.380	26.725
146467A542		Alabaster w. Lacquered Oak shelves	Stock item	24.960	31.200
146503A545		Anthracite w. Anthracite shelves	Stock item	21.380	26.725
146503A543		Anthracite w. Lacquered Walnut shelves	Stock item	24.960	31.200
146468A544	Configuration G (IF1, IF4, IF5)	Alabaster w. Alabaster shelves	Stock item	20.316	25.395
146468A542		Alabaster w. Lacquered Oak shelves	Stock item	23.184	28.980
146504A545		Anthracite w. Anthracite shelves	Stock item	20.316	25.395
146504A543		Anthracite w. Lacquered Walnut shelves	Stock item	23.184	28.980
146469A544	Configuration H (IF1, IF4, IF6)	Alabaster w. Alabaster shelves	Stock item	23.056	28.820
146469A542		Alabaster w. Lacquered Oak shelves	Stock item	26.160	32.700
146505A545		Anthracite w. Anthracite shelves	Stock item	23.056	28.820
146505A543		Anthracite w. Lacquered Walnut shelves	Stock item	26.160	32.700
146470A544	Configuration I (IF2, IF4, IF5)	Alabaster w. Alabaster shelves	Stock item	19.252	24.065
146470A542		Alabaster w. Lacquered Oak shelves	Stock item	21.404	26.755
146506A545		Anthracite w. Anthracite shelves	Stock item	19.252	24.065
146506A543		Anthracite w. Lacquered Walnut shelves	Stock item	21.404	26.755
146471A544	Configuration J (IF3, IF6, IF5)	Alabaster w. Alabaster shelves	Stock item	23.672	29.590
146471A542		Alabaster w. Lacquered Oak shelves	Stock item	25.584	31.980
146507A545		Anthracite w. Anthracite shelves	Stock item	23.672	29.590
146507A543		Anthracite w. Lacquered Walnut shelves	Stock item	25.584	31.980

Rombe IF1-IF6 Industrial Facility 2025



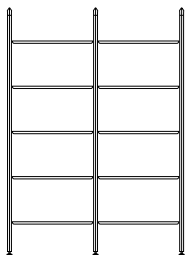
Product no.	Product code	Variant	Lead time	PRICE EX. VAT (SEK)	PRICE INC. VAT (SEK)
146472A544	Configuration K	Alabaster w. Alabaster shelves	Stock item	26.412	33.015
146472A542	(IF3, IF6, IF6)	Alabaster w. Lacquered Oak shelves	Stock item	28.560	35.700
146508A545		Anthracite w. Anthracite shelves	Stock item	26.412	33.015
146508A543		Anthracite w. Lacquered Walnut shelves	Stock item	28.560	35.700



Made using FSC® certified wood, supporting responsible environmental, social and economical management of the world's forests. Visit www.fsc.org

Material: Aluminium, steel, wood venner, MDF, glass

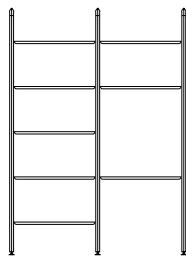
Configuration A



W: 164.5cm / 64.77in

IF1 IF4

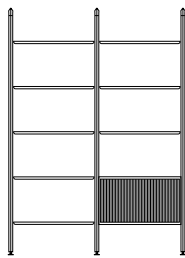
Configuration B



W: 164.5cm / 64.77in

IF1 IF5

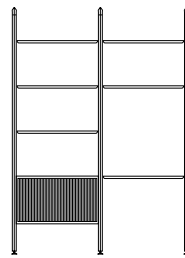
Configuration C



W: 164.5cm / 64.77in

IF1 IF6

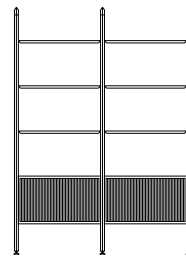
Configuration D



W: 164.5cm / 64.77in

IF3 IF5

Configuration E

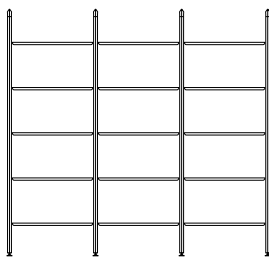


W: 164.5cm / 64.77in

IF3 IF6

H: 223cm / 87.80 in

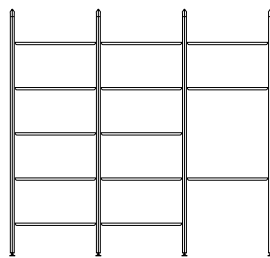
Configuration F



W: 246cm / 96.86in

IF1 IF4 IF4

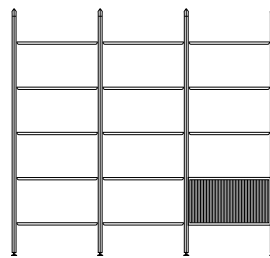
Configuration G



W: 246cm / 96.86in

IF1 IF4 IF5

Configuration H

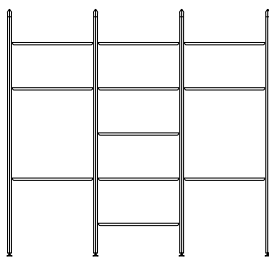


W: 246cm / 96.86in

IF1 IF4 IF6

H: 223cm / 87.80 in

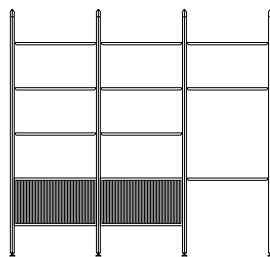
Configuration I



W: 246cm / 96.86in

IF2 IF4 IF5

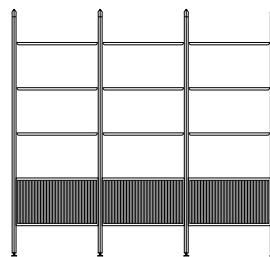
Configuration J



W: 246cm / 96.86in

IF3 IF6 IF5

Configuration K

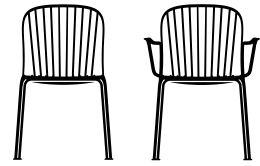


W: 246cm / 96.86in

IF3 IF6 IF6

H: 223cm / 87.80 in

Thorvald SC94 & SC95 Space Copenhagen 2024



Product no.	Product	Variant	Product code	Colli qty.	Lead time	Weight	PRICE EX. VAT (SEK)	PRICE INC. VAT (SEK)
134555	Side chair	Warm Black	SC94	2 pcs	Stock item	7.00 kg	2.620	3.275
134556	Side chair	Bronze Green	SC94	2 pcs	Stock item	7.00 kg	2.620	3.275
134557	Side chair	Ivory	SC94	2 pcs	Stock item	7.00 kg	2.620	3.275
134558	Armchair	Warm Black	SC95	2 pcs	Stock item	8.50 kg	3.100	3.875
134559	Armchair	Bronze Green	SC95	2 pcs	Stock item	8.50 kg	3.100	3.875
134560	Armchair	Ivory	SC95	2 pcs	Stock item	8.50 kg	3.100	3.875
136258A235A156B998	Chair Seat Pad	Heritage Papyrus	SC94/SC95	1 pc	Stock item	0.30 kg	772	965
136258A235A156B997	Chair Seat Pad	Heritage Char	SC94/SC95	1 pc	Stock item	0.30 kg	772	965
136258A235A179C048	Chair Seat Pad	Marquetry Bora	SC94/SC95	1 pc	Stock item	0.30 kg	888	1.110
135528A235A156B998	Chair Cushion	Heritage Papyrus	SC94/SC95	1 pc	Stock item	0.60 kg	1.188	1.485
135528A235A156B997	Chair Cushion	Heritage Char	SC94/SC95	1 pc	Stock item	0.60kg	1.188	1.485
135528A235A179C048	Chair Cushion	Marquetry Bora	SC94/SC95	1 pc	Stock item	0.60 kg	1.428	1.785



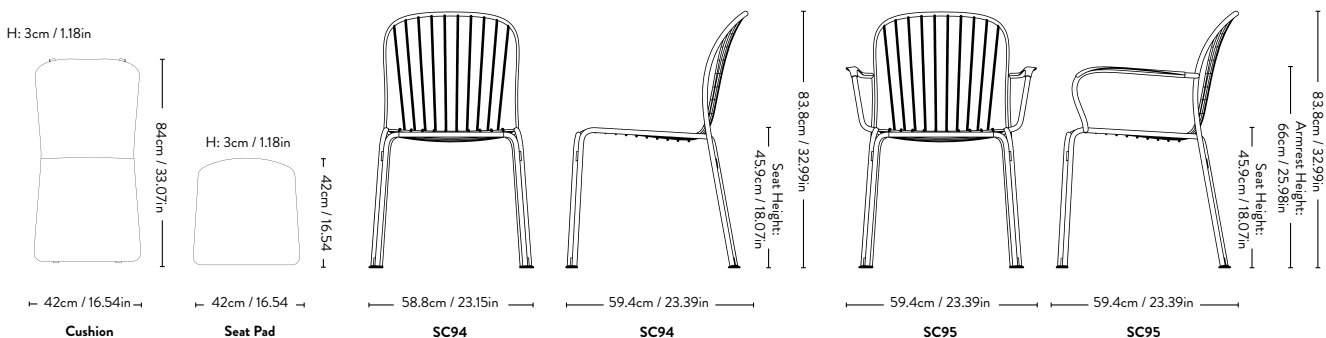
EU Ecolabel certified, validating high standards of durability, circular design, and responsible use of chemicals. Please contact our sales team for a list of EU Ecolabel compliant combinations.

Materials:

Chairs: Powder coated steel

Cushions: Fast drying foam and wadding with water repellent and stain proof textile and metal buttons

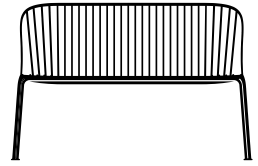
Stacking quantity: 6 pcs



NEW

Thorvald SC111

Space Copenhagen 2026



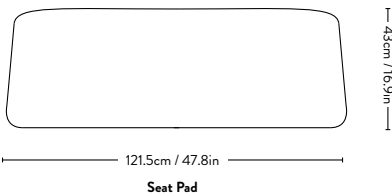
Product no.	Product	Variant	Product code	Colli qty.	Lead time	Weight	PRICE EX. VAT (SEK)	PRICE INC. VAT (SEK)
148188	Dining Bench	Warm Black	SC111	1 pc	Stock item	16.90 kg	5.368	6.710
148189	Dining Bench	Bronze Green	SC111	1 pc	Stock item	16.90 kg	5.368	6.710
148190	Dining Bench	Ivory	SC111	1 pc	Stock item	16.90 kg	5.368	6.710
155884A237A156B997	Dining Bench Cushion	Heritage Char	SC111	1 pc	Stock item	1.75 kg	2.384	2.980
155884A237A156B998	Dining Bench Cushion	Heritage Papyrus	SC111	1 pc	Stock item	1.75 kg	2.384	2.980
155884A237A179C048	Dining Bench Cushion	Marquetry Bora	SC111	1 pc	Stock item	1.75 kg	2.860	3.575
155885A237A156B997	Dining Bench Seat pad	Heritage Char	SC111	1 pc	Stock item	1.00 kg	1.784	2.230
155885A237A156B998	Dining Bench Seat pad	Heritage Papyrus	SC111	1 pc	Stock item	1.00 kg	1.784	2.230
155885A237A179C048	Dining Bench Seat pad	Marquetry Bora	SC111	1 pc	Stock item	1.00 kg	2.024	2.530

Materials:

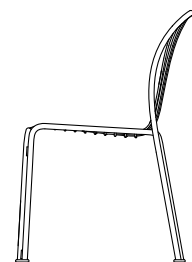
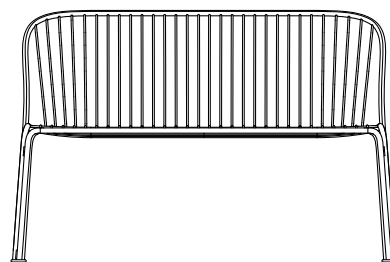
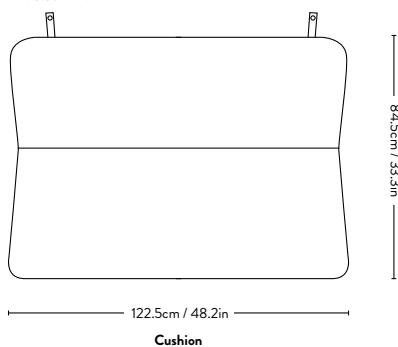
Chairs: Powder coated steel

Cushions/Seat pads: Fast drying foam and wadding with water repellent and stain proof textile and metal buttons

H: 3.5cm / 1.4in



H: 3.5cm / 1.4in



84cm / 33in

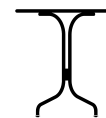
Seat Height:

45.9cm / 18.07in

Seat Depth:

41.6cm / 16.4in

Thorvald SC96-SC97 Space Copenhagen 2024

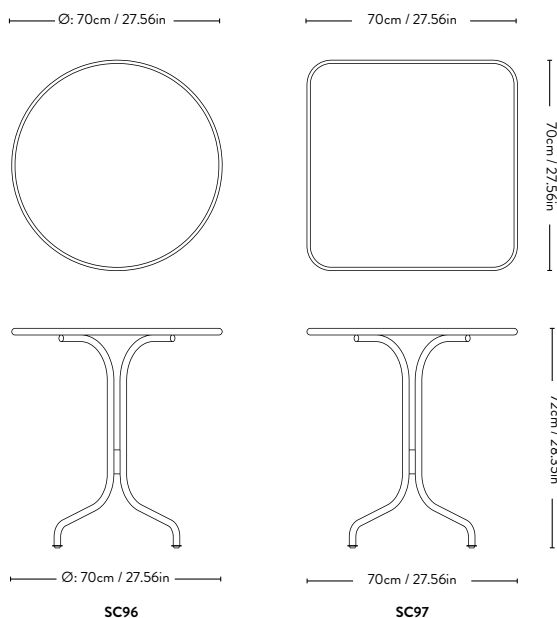


Product no.	Product	Variant	Size	Product code	Colli qty.	Lead time	Weight	PRICE EX. VAT (SEK)	PRICE INC. VAT (SEK)
135149A408	Café Table Round	Warm Black	Ø70	SC96	1 pc	Stock item	11.90 kg	5.368	6.710
135150A409	Café Table Round	Bronze Green	Ø70	SC96	1 pc	Stock item	11.90 kg	5.368	6.710
135151A410	Café Table Round	Ivory	Ø70	SC96	1 pc	Stock item	11.90 kg	5.368	6.710
135152A408	Café Table Square	Warm Black	70 x 70	SC97	1 pc	Stock item	14.30 kg	5.368	6.710
135153A409	Café Table Square	Bronze Green	70 x 70	SC97	1 pc	Stock item	14.30 kg	5.368	6.710
135154A410	Café Table Square	Ivory	70 x 70	SC97	1 pc	Stock item	14.30 kg	5.368	6.710



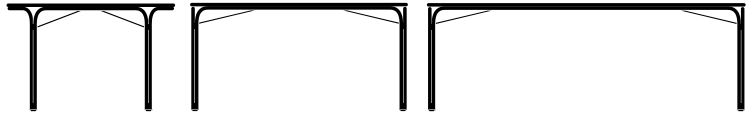
EU Ecolabel certified, validating high standards of durability, circular design, and responsible use of chemicals. Please contact our sales team for a list of EU Ecolabel compliant combinations.

Materials: Powder coated steel



Thorvald SC98-SC99 & SC113

Space Copenhagen 2024

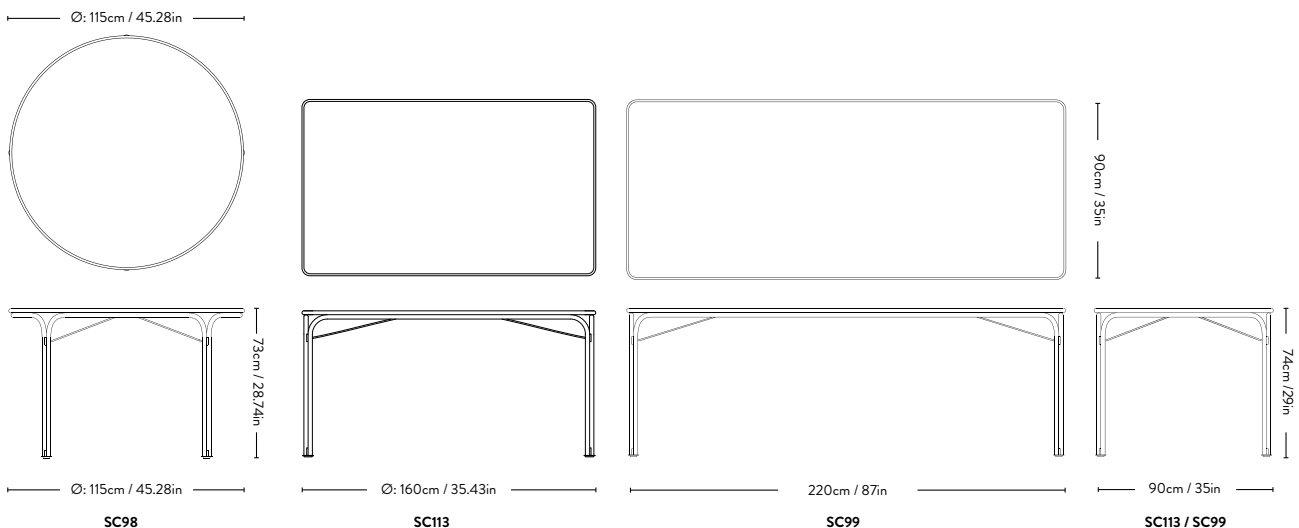


Product no.	Product	Variant	Size	Product code	Colli qty.	Lead time	Weight	PRICE EX. VAT (SEK)	PRICE INC. VAT (SEK)
135157A408	Dining Table Round	Warm Black	Ø115	SC98	1 pc	Stock item	13.30 kg	8.352	10.440
135158A409	Dining Table Round	Bronze Green	Ø115	SC98	1 pc	Stock item	13.30 kg	8.352	10.440
135159A410	Dining Table Round	Ivory	Ø115	SC98	1 pc	Stock item	13.30 kg	8.352	10.440
148194A408	Dining Table NEW	Warm Black	160 x 90	SC113	1 pc	Stock item	38.30 kg	9.548	11.935
148195A409	Dining Table NEW	Bronze Green	160 x 90	SC113	1 pc	Stock item	38.30 kg	9.548	11.935
148196A410	Dining Table NEW	Ivory	160 x 90	SC113	1 pc	Stock item	38.30 kg	9.548	11.935
138733A408	Dining Table	Warm Black	220 x 90	SC99	1 pc	Stock item	47.70 kg	11.936	14.920
138734A409	Dining Table	Bronze Green	220 x 90	SC99	1 pc	Stock item	47.70 kg	11.936	14.920
138735A410	Dining Table	Ivory	220 x 90	SC99	1 pc	Stock item	47.70 kg	11.936	14.920



EU Ecolabel certified, validating high standards of durability, circular design, and responsible use of chemicals. Please contact our sales team for a list of EU Ecolabel compliant combinations.

Materials: Powder coated steel



NEW

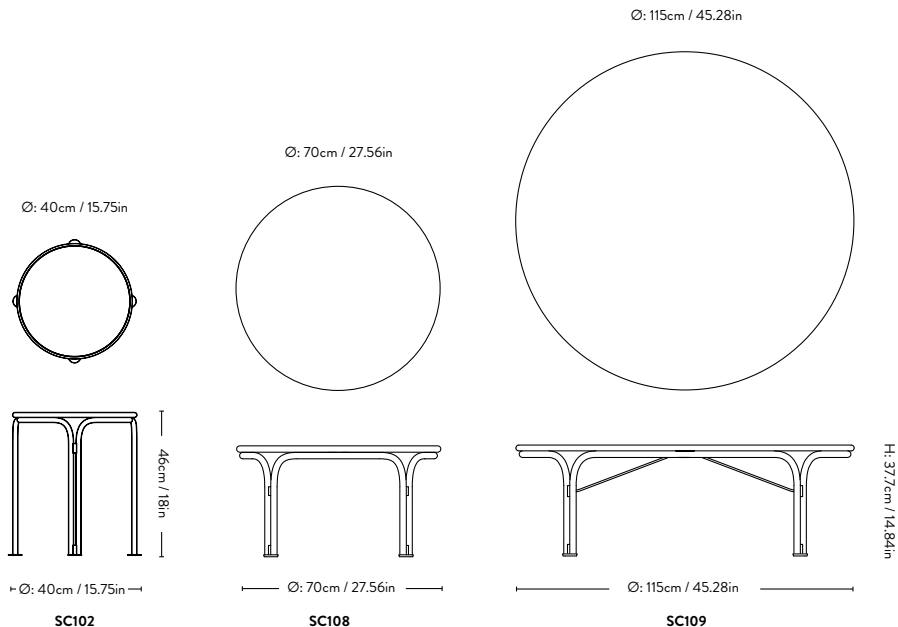
Thorvald SC102, SC108 & SC109

Space Copenhagen 2026

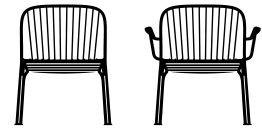


Product no.	Product	Variant	Size	Product code	Colli qty.	Lead time	Weight	PRICE EX. VAT (SEK)	PRICE INC. VAT (SEK)
135638	Side Table	Warm Black	Ø40	SC102	1 pc	Stock item	4.20 kg	2.144	2.680
135639	Side Table	Bronze Green	Ø40	SC102	1 pc	Stock item	4.20 kg	2.144	2.680
135640	Side Table	Ivory	Ø40	SC102	1 pc	Stock item	4.20 kg	2.144	2.680
148179A408	Coffee Table	Warm Black	Ø70	SC108	1 pc	Stock item	12.00 kg	4.772	5.965
148180A409	Coffee Table	Bronze Green	Ø70	SC108	1 pc	Stock item	12.00 kg	4.772	5.965
148181A410	Coffee Table	Ivory	Ø70	SC108	1 pc	Stock item	12.00 kg	4.772	5.965
148182A408	Coffee Table	Warm Black	Ø115	SC109	1 pc	Stock item	22.50 kg	6.560	8.200
148183A409	Coffee Table	Bronze Green	Ø115	SC109	1 pc	Stock item	22.50 kg	6.560	8.200
148184A410	Coffee Table	Ivory	Ø115	SC109	1 pc	Stock item	22.50 kg	6.560	8.200

Materials: Powder coated steel



Thorvald SC100 & SC101 Space Copenhagen 2024



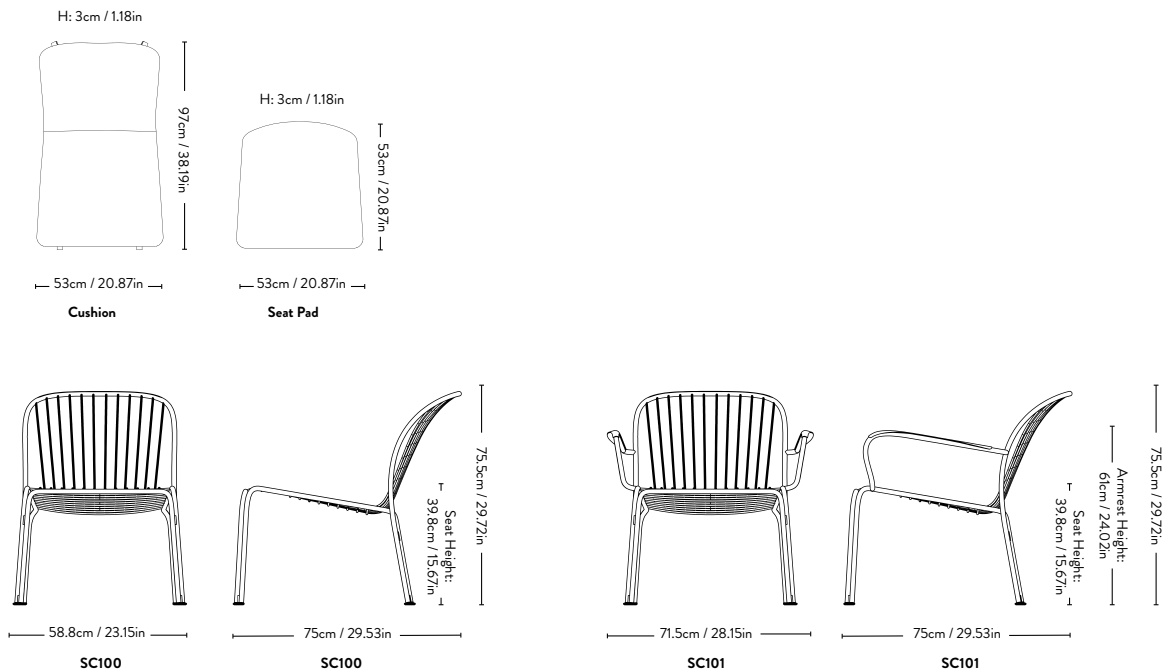
Product no.	Product	Variant	Product code	Colli qty.	Lead time	Weight	PRICE EX. VAT (SEK)	PRICE INC. VAT (SEK)
135632	Lounge Chair	Warm Black	SC100	2 pcs	Stock item	7.80 kg	3.576	4.470
135633	Lounge Chair	Bronze Green	SC100	2 pcs	Stock item	7.80 kg	3.576	4.470
135634	Lounge Chair	Ivory White	SC100	2 pcs	Stock item	7.80 kg	3.576	4.470
135635	Lounge Chair with arms	Warm Black	SC101	2 pcs	Stock item	9.20 kg	4.172	5.215
135636	Lounge Chair with arms	Bronze Green	SC101	2 pcs	Stock item	9.20 kg	4.172	5.215
135637	Lounge Chair with arms	Ivory White	SC101	2 pcs	Stock item	9.20 kg	4.172	5.215
136259A235A156B998	Lounge Chair Seat Pad	Heritage Papyrus	SC100 / SC101	1 pc	Stock item	0.35 kg	888	1.110
136259A235A156B997	Lounge Chair Seat Pad	Heritage Char	SC100 / SC101	1 pc	Stock item	0.35 kg	888	1.110
136259A235A179C048	Lounge Chair Seat Pad	Marquetry Bora	SC100 / SC101	1 pc	Stock item	0.35 kg	1.008	1.260
135631A235A156B998	Lounge Chair Cushion	Heritage Papyrus	SC100 / SC101	1 pc	Stock item	0.70 kg	1.308	1.635
135631A235A156B997	Lounge Chair Cushion	Heritage Char	SC100 / SC101	1 pc	Stock item	0.70 kg	1.308	1.635
135631A235A179C048	Lounge Chair Cushion	Marquetry Bora	SC100 / SC101	1 pc	Stock item	0.70 kg	1.548	1.935



EU Ecolabel certified, validating high standards of durability, circular design, and responsible use of chemicals. Please contact our sales team for a list of EU Ecolabel compliant combinations.

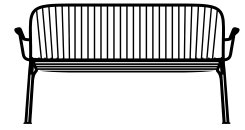
Materials:

Chairs: Powder coated steel
Cushions: Fast drying foam and wadding with water repellent and stain proof textile and metal buttons



NEW

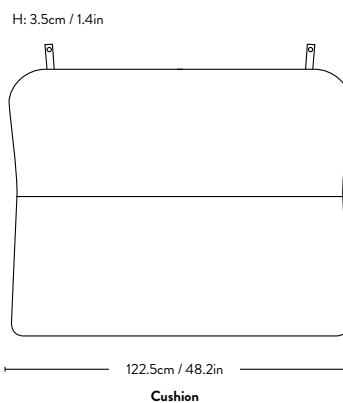
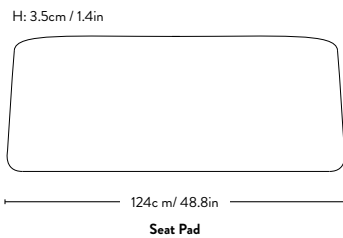
Thorvald SC110 Space Copenhagen 2026



Product no.	Product	Variant	Product code	Colli qty.	Lead time	Weight	PRICE EX. VAT (SEK)	PRICE INC. VAT (SEK)
148185	Lounge Sofa	Warm Black	SC110	1 pc	Stock item	19.40 kg	7.160	8.950
148186	Lounge Sofa	Bronze Green	SC110	1 pc	Stock item	19.40 kg	7.160	8.950
148187	Lounge Sofa	Ivory	SC110	1 pc	Stock item	19.40 kg	7.160	8.950
155882A236A156B997	Lounge Sofa Cushion	Heritage Char	SC110	1 pc	Stock item	2.00 kg	2.620	3.275
155882A236A156B998	Lounge Sofa Cushion	Heritage Papyrus	SC110	1 pc	Stock item	2.00 kg	2.620	3.275
155882A237A179C048	Lounge Sofa Cushion	Marquetry Bora	SC110	1 pc	Stock item	2.00 kg	3.100	3.875
155883A237A156B997	Lounge Sofa Seat pad	Heritage Char	SC110	1 pc	Stock item	1.30 kg	2.024	2.530
155883A237A156B998	Lounge sofa Seat pad	Heritage Papyrus	SC110	1 pc	Stock item	1.30 kg	2.024	2.530
155883A237A179C048	Lounge sofa Seat pad	Marquetry Bora	SC110	1 pc	Stock item	1.30 kg	2.264	2.830

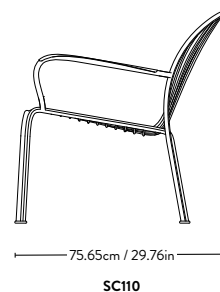
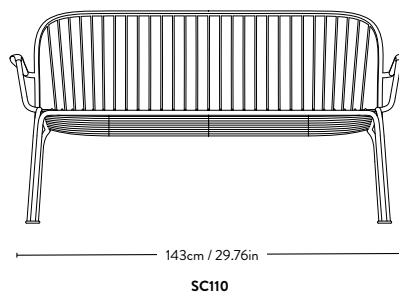
Materials:

Chairs: Powder coated steel
Cushions/Seat pads: Fast drying foam and wadding with water repellent and stain proof textile and metal buttons



50.5cm / 19.9in

95.5cm / 37.6in



NEW

Thorvald SC112

Space Copenhagen 2026



Product no.	Product	Variant	Product code	Colli qty.	Lead time	Weight	PRICE EX. VAT (SEK)	PRICE INC. VAT (SEK)
148191	Bench	Warm Black	SC112	1 pc	Stock item	12.10 kg	4.172	5.215
148192	Bench	Bronze Green	SC112	1 pc	Stock item	12.10 kg	4.172	5.215
148193	Bench	Ivory	SC112	1 pc	Stock item	12.10 kg	4.172	5.215
155887A237A156B997	Bench Seat pad	Heritage Char	SC112	1 pc	Stock item	1.00 kg	1.784	2.230
155887A237A156B998	Bench Seat pad	Heritage Papyrus	SC112	1 pc	Stock item	1.00 kg	1.784	2.230
155887A237A179C048	Bench Seat pad	Marquetry Bora	SC112	1 pc	Stock item	1.00 kg	2.024	2.530

Materials:

Chairs: Powder coated steel

Cushions/Seat pads: Fast drying foam and wadding with water repellent and stain proof textile and metal buttons

Ht: 3.5cm / 1.4in



39cm / 15.6in

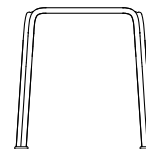
118cm / 46.5in

Seat Pad



125.2cm / 49.29in

SC112



45cm / 17.91in

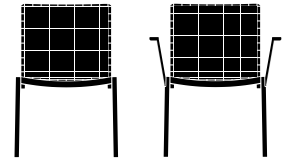
45.4cm / 17.87in

SC112

Ville AV33 & AV34

Anderssen & Voll

2024



Product no.	Product	Variant	Product code	Colli qty.	Lead time	Weight	PRICE EX. VAT (SEK)	PRICE INC. VAT (SEK)
135177	Side chair	Warm Black	AV33	2 pcs	Stock item	9.50 kg	3.336	4.170
135178	Side chair	Bronze Green	AV33	2 pcs	Stock item	9.50 kg	3.336	4.170
135181	Armchair	Warm Black	AV34	2 pcs	Stock item	8.20 kg	3.816	4.770
135183	Armchair	Bronze Green	AV34	2 pcs	Stock item	8.20 kg	3.816	4.770
135527A235A156B998	Chair Cushion	Heritage Papyrus	AV33/AV34	1 pc	Stock item	0.50 kg	1.188	1.485
135527A235A156B997	Chair Cushion	Heritage Char	AV33/AV34	1 pc	Stock item	0.50 kg	1.188	1.485

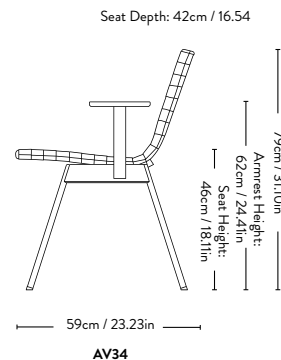
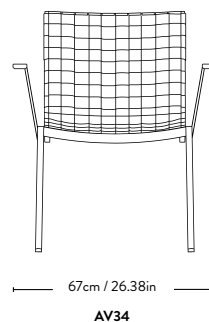
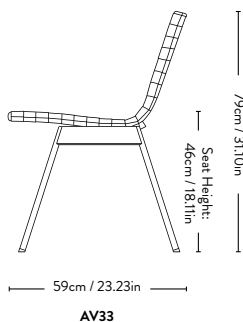
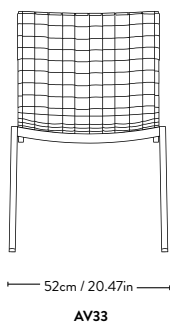
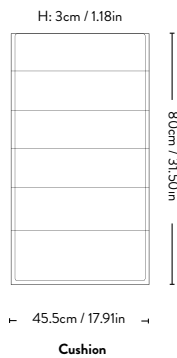


AV34 Armchair made using FSC® certified wood, supporting responsible environmental, social and economical management of the world's forests. Visit www.fsc.org

Materials:

Chairs: Untreated Teak wood, powder coated steel and polyester webbing.
 Cushions: Fast drying foam and wadding with water repellent and stain proof textile and metal buttons

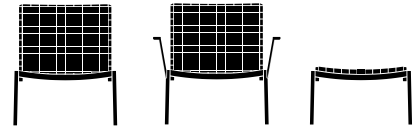
Stacking quantity: 8 pcs



Ville AV44, AV45 & AV46

Anderssen & Voll

2025



Product no.	Product	Variant	Product code	Colli qty.	Lead time	Weight	PRICE EX. VAT (SEK)	PRICE INC. VAT (SEK)
138722	Lounge Chair	Warm Black	AV44	2 pcs	Stock item	10.50 kg	4.292	5.365
138723	Lounge Chair	Bronze Green	AV44	2 pcs	Stock item	10.50 kg	4.292	5.365
138724	Lounge Chair w. arms	Warm Black	AV45	2 pcs	Stock item	11.20 kg	5.128	6.410
138725	Lounge Chair w. arms	Bronze Green	AV45	2 pcs	Stock item	11.20 kg	5.128	6.410
138727	Footstool	Warm Black	AV46	1 pc	Stock item	5.80 kg	2.384	2.980
138728	Footstool	Bronze Green	AV46	1 pc	Stock item	5.80 kg	2.384	2.980
138726A237A156B997	Lounge Chair Cushion	Heritage Char	AV44/AV45	1 pc	Stock item	0.73 kg	1.428	1.785
138726A237A156B998	Lounge Chair Cushion	Heritage Papyrus	AV44/AV45	1 pc	Stock item	0.73 kg	1.428	1.785
139817A237A156B997	Footstool Seat Pad	Heritage Char	AV46	1 pc	Stock item	0.20 kg	712	890
139817A237A156B998	Footstool Seat Pad	Heritage Papyrus	AV46	1 pc	Stock item	0.20 kg	712	890

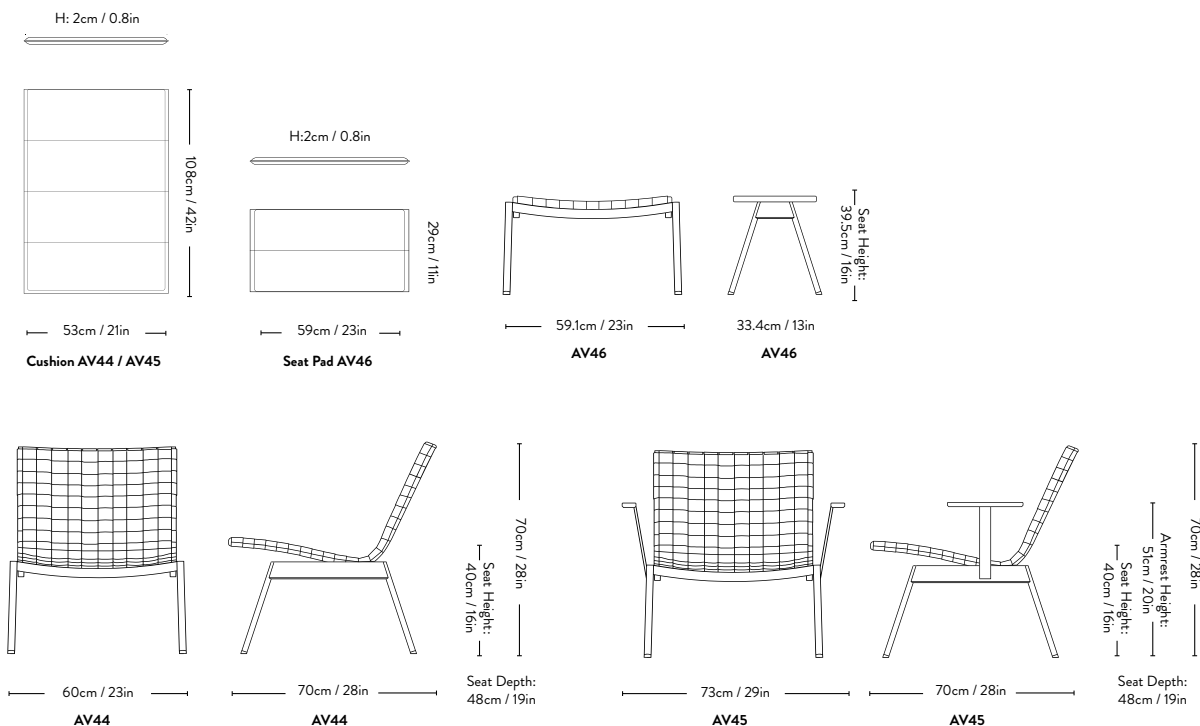


AV45 Lounge Chair w. arms made using FSC® certified wood, supporting responsible environmental, social and economical management of the world's forests. Visit www.fsc.org

Materials:

AV44 & AV46: Powder coated steel and polyester webbing.
 AV45: Untreated Teak wood, powder coated steel and polyester webbing.
 Cushions: Fast drying foam and wadding with water repellent and stain proof textile and metal buttons

Stacking quantity, AV44, AV45 and AV46: 5 pcs



Ville AV27, AV28 & AV47 Anderssen & Voll 2024



Product no.	Product	Size	Variant	Product code	Colli qty.	Lead time	Weight	PRICE EX. VAT (SEK)	PRICE INC. VAT (SEK)
134590	Bench	110x40	Warm Black	AV27	1 pc	Stock item	12.00 kg	5.964	7.455
134589	Bench	110x40	Bronze Green	AV27	1 pc	Stock item	12.00 kg	5.964	7.455
134592	Bench	180x40	Warm Black	AV28	1 pc	Stock item	17.20 kg	7.160	8.950
134591	Bench	180x40	Bronze Green	AV28	1 pc	Stock item	17.20 kg	7.160	8.950
138729	Stool	46x40	Warm Black	AV47	1 pc	Stock item	7.20 kg	2.980	3.725
138730	Stool	46x40	Bronze Green	AV47	1 pc	Stock item	7.20 kg	2.980	3.725
135525A235A156B998	Bench Seat Pad	40x110	Heritage Papyrus	AV27	1 pc	Stock item	0.50 kg	1.188	1.485
135525A235A156B997	Bench Seat Pad	40x110	Heritage Char	AV27	1 pc	Stock item	0.50 kg	1.188	1.485
135526A235A156B998	Bench Seat Pad	40x180	Heritage Papyrus	AV28	1 pc	Stock item	0.65 kg	1.664	2.080
135526A235A156B997	Bench Seat Pad	40x180	Heritage Char	AV28	1 pc	Stock item	0.65 kg	1.664	2.080
139818A237A156B997	Stool Seat Pad	46x40	Heritage Char	AV47	1 pc	Stock item	0.22 kg	712	890
139818A237A156B998	Stool Seat Pad	46x40	Heritage Papyrus	AV47	1 pc	Stock item	0.22 kg	712	890



AV27, AV28: EU Ecolabel certified, validating high standards of durability, circular design, and responsible use of chemicals. Please contact our sales team for a list of EU Ecolabel compliant combinations.



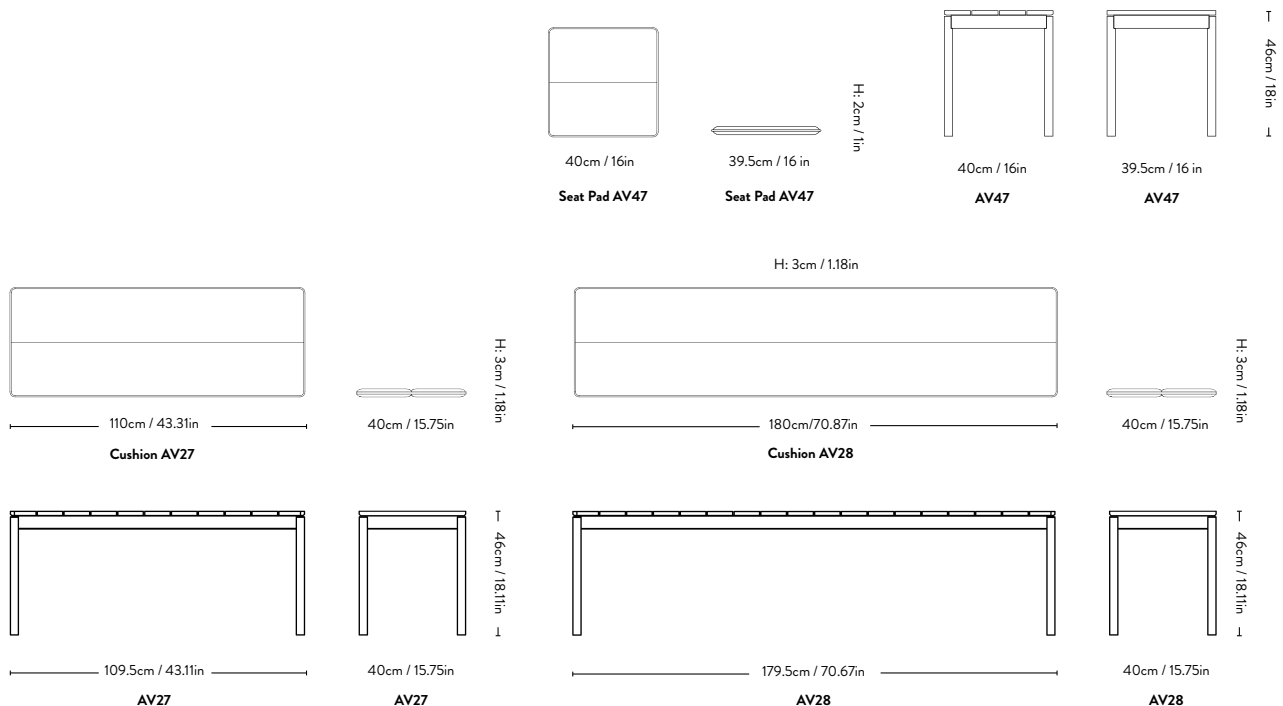
Made using FSC® certified wood, supporting responsible environmental, social and economical management of the world's forests. Visit www.fsc.org

Materials:

Bench & Stool: Untreated teak wood, powder coated steel
Cushions: Fast drying foam and wadding with water repellent and stain proof textile and metal buttons.

AV47, Stackable: 5 pc

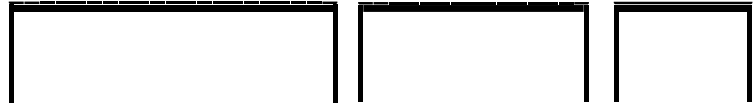
Spare parts available for AV27 and AV28. Please refer to the 'Spare Parts' section.



Ville AV25 & AV26



Anderssen & Voll
2024



Product no.	Product	Size	Base	Product code	Colli qty.	Lead time	Weight	PRICE EX. VAT (SEK)	PRICE INC. VAT (SEK)
134593A398	Table	150x90	Warm Black	AV25	1 pc	Stock item	32.00 kg	11.936	14.920
134595A398	Table	150x90	Bronze Green	AV25	1 pc	Stock item	32.00 kg	11.936	14.920
134596A398	Table	220x90	Warm Black	AV26	1 pc	Stock item	44.00 kg	14.324	17.905
134597A398	Table	220x90	Bronze Green	AV26	1 pc	Stock item	44.00 kg	14.324	17.905



EU Ecolabel certified, validating high standards of durability, circular design, and responsible use of chemicals. Please contact our sales team for a list of EU Ecolabel compliant combinations.

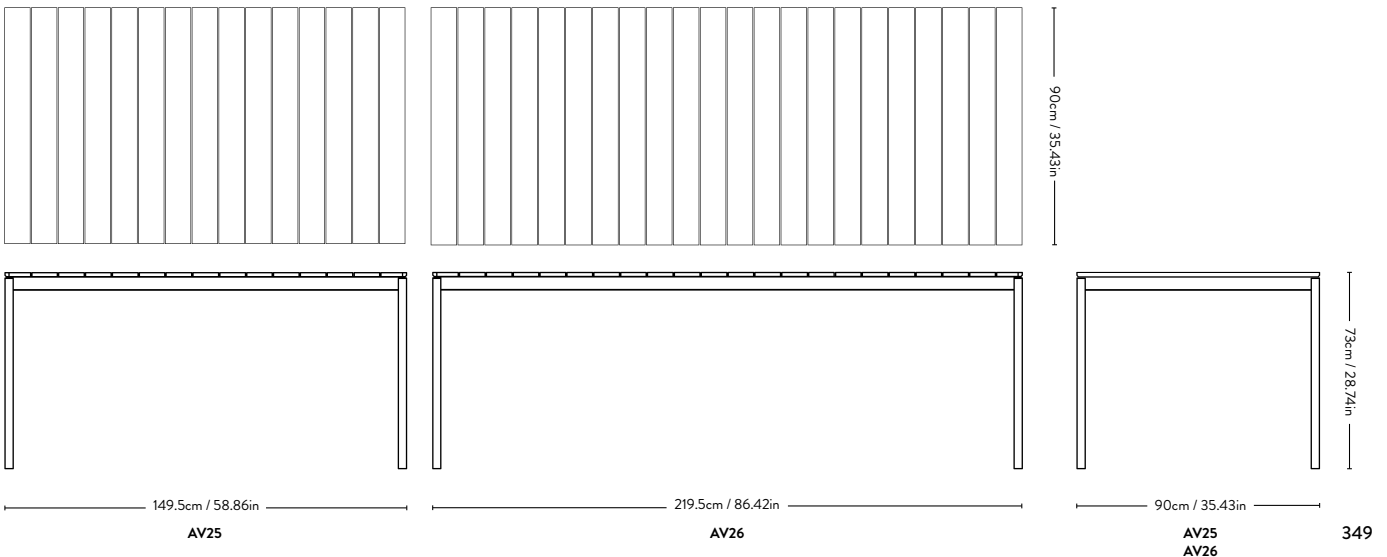
Materials:

Untreated teak wood, powder coated steel

Spare parts available for AV27 and AV28. Please refer to the 'Spare Parts' section.



Made using FSC® certified wood, supporting responsible environmental, social and economical management of the world's forests. Visit www.fsc.org



Ville AV50



Anderssen & Voll 2025

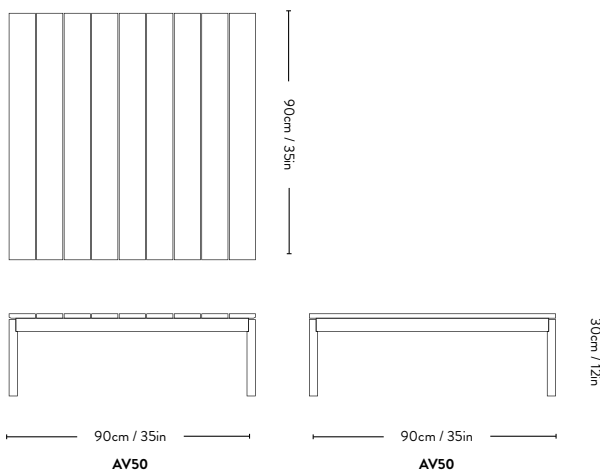


Product no.	Product	Size	Base	Colli qty.	Lead time	Weight	PRICE EX. VAT (SEK)	PRICE INC. VAT (SEK)
138731A398	Coffee Table	90x90	Warm Black	1 pc	Stock item	20.10 kg	8.352	10.440
138732A398	Coffee Table	90x90	Bronze Green	1 pc	Stock item	20.10 kg	8.352	10.440



Made using FSC® certified wood, supporting responsible environmental, social and economical management of the world's forests. Visit www.fsc.org

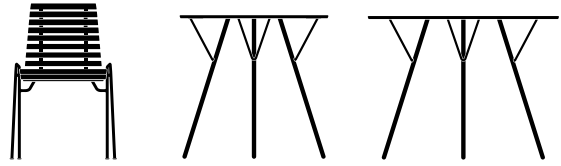
Materials:
Untreated teak wood, powder coated steel



RFH RD4, RD5 & RD6

Robin Day

1951



Product no.	Product	Variant	Size	Product code	Colli qty.	Lead time	Weight	PRICE EX. VAT (SEK)	PRICE INC. VAT (SEK)
137922A497	Dining chair	Teak & Black		RD4	2 pcs	Stock item	7.75 kg	3.336	4.170
137925A498	Dining table	Black	Ø75 cm	RD5	1 pc	Stock item	15.20 kg	7.756	9.695
137926A498	Dining table	Black	Ø95 cm	RD6	1 pc	Stock item	20.70 kg	9.548	11.935
137924A235A156B998	Cushion	Heritage Papyrus		RD4	1 pc	Stock item	0.53 kg	1.188	1.485
137924A235A156B997	Cushion	Heritage Char		RD4	1 pc	Stock item	0.53 kg	1.188	1.485
139816A237A156B997	Seat Pad	Heritage Char		RD4	1 pc	Stock item	0.30 kg	772	965
139816A237A156B998	Seat Pad	Heritage Papyrus		RD4	1 pc	Stock item	0.30 kg	772	965

Product no.	Product	Variant	Lead time	PRICE EX. VAT (SEK)	PRICE INC. VAT (SEK)
137923	Plastic glider for RFH RD4, 4 pcs.	Black	Stock item	112	140
137930	Plastic glider for RFH RD5 & RD6, 4 pcs.	Black	Stock item	112	140



RD4: EU Ecolabel certified, validating high standards of durability, circular design, and responsible use of chemicals. Please contact our sales team for a list of EU Ecolabel compliant combinations.



RD4 Dining Chair made using FSC® certified wood, supporting responsible environmental, social and economical management of the world's forests. Visit www.fsc.org

Materials:

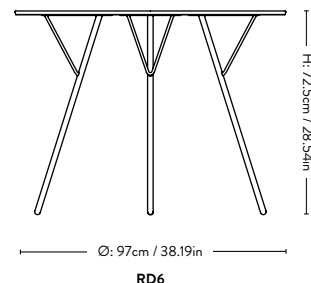
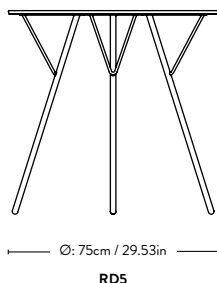
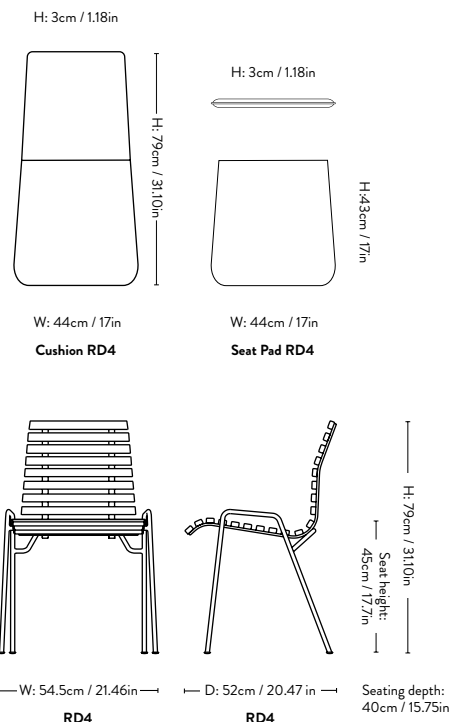
Chair: Solid teak, solid high strength steel frame.

Tables: Powder-coated steel tubing and steel rod, compact high-pressure laminate, acrylic lacquer, melamine resin.

Cushion: Fast drying foam and wadding with water repellent and stain proof textile

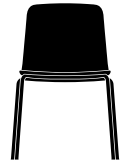
Plastic gliders installed as standard.

Spare parts available. Please refer to the 'Spare Parts' section.



NEW

Rely HW138 Hee Welling 2026



Product no.	Shell Variant	Base	Colli qty.	Lead time	Weight	PRICE EX. VAT (SEK)	PRICE INC. VAT (SEK)
155823A063	Red Brown	Black	1 pc	3-5 weeks	5.50 kg	2.264	2.830
155823A067	Beige Sand	Black	1 pc	3-5 weeks	5.50 kg	2.264	2.830
155823A064	Light Blue	Black	1 pc	3-5 weeks	5.50 kg	2.264	2.830

Product no.	Product	Variant	Colli qty.	Lead time	PRICE EX. VAT (SEK)	PRICE INC. VAT (SEK)
156123	Plastic glider for Rely Outdoor, Back 2 pcs	Black	1 pc	Stock item	88	110
156122	Plastic glider for Rely Outdoor, Front 2 pcs	Black	1 pc	Stock item	88	110

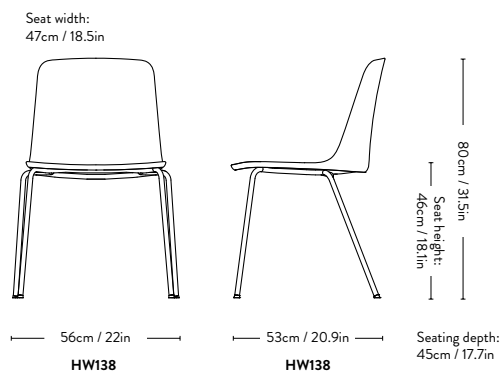


EU Ecolabel certified, validating high standards of durability, circular design, and responsible use of chemicals. Please contact our sales team for a list of EU Ecolabel compliant combinations.

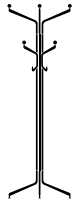
Material: Shell made from 100% recycled polypropylene with fiber glass and a steel tube base.

Plastic gliders installed as standard.

Small hole in the shell for water drainage.
Black outdoor powder coating UV-resistant.



Capture ^{SC77} Space Copenhagen 2022

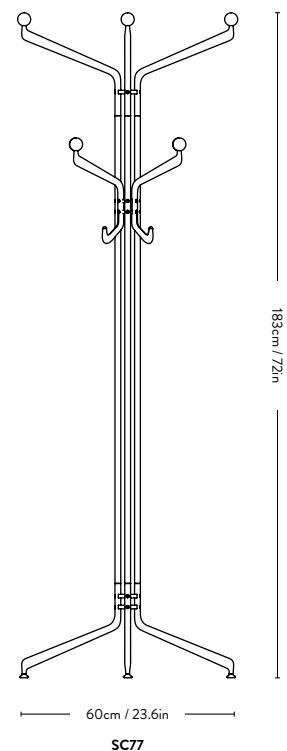
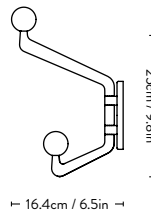
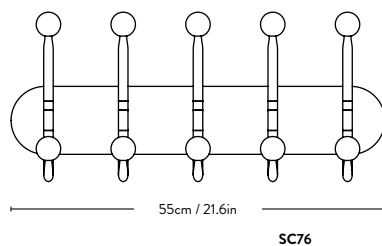
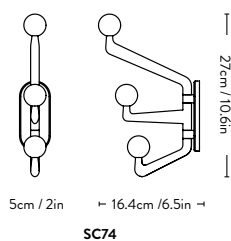


Product no.	Product	Product code	Variant	Colli qty.	Lead time	Weight	PRICE EX. VAT (SEK)	PRICE INC. VAT (SEK)
133220A040	Coat stand	SC77	Graphite / Colour knob	1 pc	Stock item	6.00 kg	5.964	7.455
133220A041	Coat stand	SC77	Graphite / Oak knob	1 pc	Stock item	6.00 kg	5.964	7.455

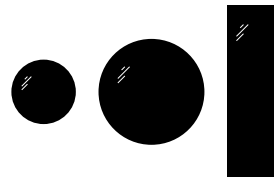


Graphite / Oak knob made using FSC® certified wood, supporting responsible environmental, social and economical management of the world's forests. Visit www.fsc.org

Materials: Powder coated aluminium and water based lacquered oak.

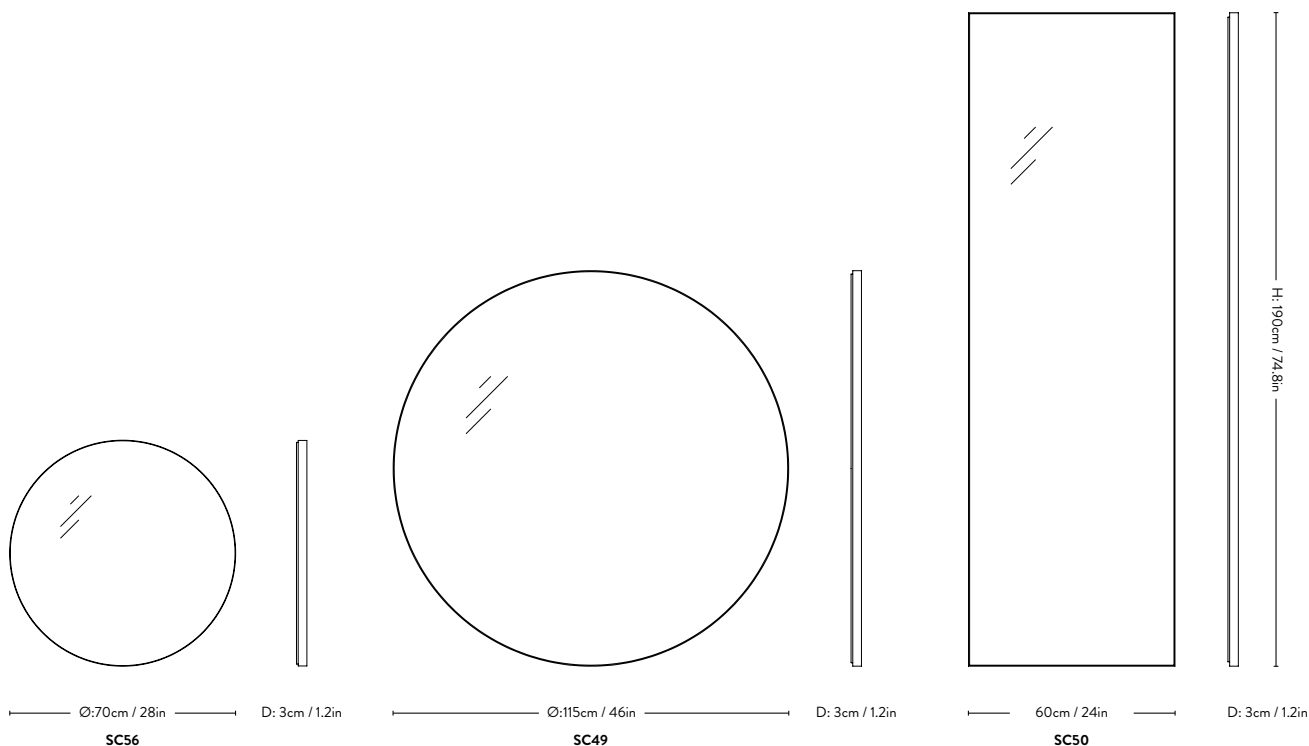


Amore SC49, SC50 & SC56 Space Copenhagen 2018



Product no.	Variant	Size	Product code	Colli qty.	Lead time	Weight	PRICE EX. VAT (SEK)	PRICE INC. VAT (SEK)
133232A023	Bronzed Brass	Ø70cm	SC56	1 pc	Stock item	10.00 kg	8.948	11.185
133233A023	Bronzed Brass	Ø115cm	SC49	1 pc	Stock item	23.50 kg	12.532	15.665
133231A023	Bronzed Brass	60x190cm	SC50	1 pc	Stock item	29.00 kg	14.920	18.650

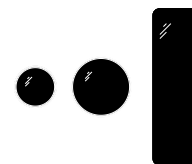
Material: Bronzed brass frame, silver coloured mirror, textile backing.



Sillon SH4, SH5 & SH7

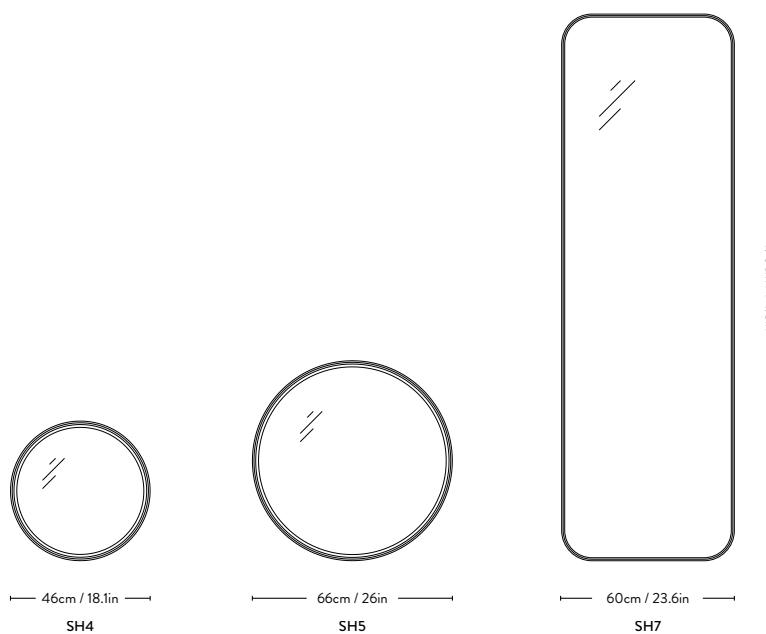
Sebastian Herkner

2019



Product no.	Variant	Size	Product code	Colli qty.	Lead time	Weight	PRICE EX. VAT (SEK)	PRICE INC. VAT (SEK)
133234A140	Brass	Ø46cm	SH4	1 pc	Stock item	4.50 kg	2.980	3.725
133234A167	Stainless Steel	Ø46cm	SH4	1 pc	Stock item	4.50 kg	2.620	3.275
133235A140	Brass	Ø66cm	SH5	1 pc	Stock item	8.00 kg	5.008	6.260
133235A167	Stainless Steel	Ø66cm	SH5	1 pc	Stock item	8.00 kg	4.532	5.665
133237A140	Brass	190x60cm	SH7	1 pc	Stock item	28.50 kg	14.324	17.905
133237A167	Stainless Steel	190x60cm	SH7	1 pc	Stock item	28.50 kg	13.368	16.710

Material: Plated steel & silver coloured mirror



Colette ^{ATD6} & Tradition 2022



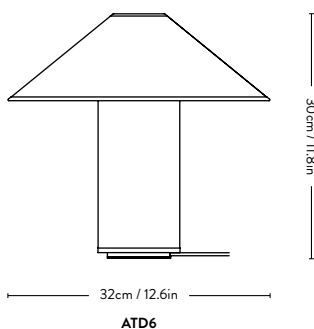
Product no.	Product	Variant	Cord	Colli qty.	Lead time	Weight	PRICE EX. VAT (SEK)	PRICE INC. VAT (SEK)
133115A157	Table lamp	White & Black	2.5m Black textile w. dimmer	1 pc	Stock item	1.60 kg	2.980	3.725
133115A156	Table lamp	White & Merlot	2.5m Black textile w. dimmer	1 pc	Stock item	1.60 kg	2.980	3.725

Technical Specification

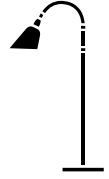
E14 Max 40 Watt
Dimmability: Dimmer on cord

Material: Plastic-lined polyester, aluminium, steel

Bulb is not included.



Bellevue ^{AJ7} Arne Jacobsen 1929



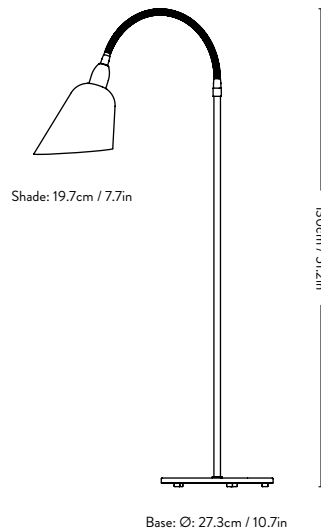
Product no.	Product	Variant	Cord	Colli qty.	Lead time	Weight	PRICE EX. VAT (SEK)	PRICE INC. VAT (SEK)
133131A148	Floor lamp	Black & Brass	2m Black textile w. switch	1 pc	Stock item	8.00 kg	6.204	7.755
133131A145	Floor lamp	White & Bronzed Brass	2m White textile w. switch	1 pc	Stock item	8.00 kg	6.204	7.755
133131A146	Floor lamp	Stone Grey & Bronzed Brass	2m Black textile w. switch	1 pc	Stock item	8.00 kg	6.204	7.755

Technical Specification

E27 Max 25 Watt

Material: Lacquered satin brass, lacquered aluminium, steel & cast iron.

Bulb is not included.



AJ7

Flowerpot^{VP3} Verner Panton 1968



Product no.	Product	Variant	Cord	Colli qty.	Lead time	Weight	PRICE EX. VAT (SEK)	PRICE INC. VAT (SEK)
133084A221	Table lamp	Matt White	2m Clear PVC w. switch	1 pc	Stock item	3.50 kg	2.740	3.425
133084A219	Table lamp	Matt Light Grey	2m Clear PVC w. switch	1 pc	Stock item	3.50 kg	2.740	3.425
133084A218	Table lamp	Matt Black	2m Clear PVC w. switch	1 pc	Stock item	3.50 kg	2.740	3.425
133084A215	Table lamp	Mustard	2m Clear PVC w. switch	1 pc	Stock item	3.50 kg	2.740	3.425
133084A208	Table lamp	Stone Blue	2m Clear PVC w. switch	1 pc	Stock item	3.50 kg	2.740	3.425
133084A209	Table lamp	Grey Beige	2m Clear PVC w. switch	1 pc	Stock item	3.50 kg	2.740	3.425
133084A205	Table lamp	Signal Green	2m Clear PVC w. switch	1 pc	Stock item	3.50 kg	2.740	3.425
133084A178	Table lamp	Cobalt Blue	2m Clear PVC w. switch	1 pc	Stock item	3.50 kg	2.740	3.425
133084A182	Table lamp	Vermilion Red	2m Clear PVC w. switch	1 pc	Stock item	3.50 kg	2.740	3.425
133084A181	Table lamp	Tangy Pink	2m Clear PVC w. switch	1 pc	Stock item	3.50 kg	2.740	3.425
133084A180	Table lamp	Dark Plum	2m Clear PVC w. switch	1 pc	Stock item	3.50 kg	2.740	3.425
133084A179	Table lamp	Swim Blue	2m Clear PVC w. switch	1 pc	Stock item	3.50 kg	2.740	3.425
133084A568	Table lamp	Steel Blue NEW	2m Clear PVC w. switch	1 pc	Stock item	3.50 kg	2.740	3.425
133084A569	Table lamp	Ivory NEW	2m Clear PVC w. switch	1 pc	Stock item	3.50 kg	2.740	3.425
133084A570	Table lamp	Zesty Orange NEW	2m Clear PVC w. switch	1 pc	Stock item	3.50 kg	2.740	3.425
133084A274	Table lamp	Chrome-plated	2m Clear PVC w. switch	1 pc	Stock item	3.50 kg	4.172	5.215
133084A268	Table lamp	Brass-plated	2m Clear PVC w. switch	1 pc	Stock item	3.50 kg	4.172	5.215

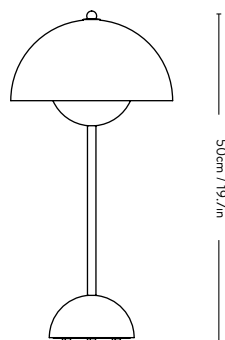
Technical Specification

E27 Max 40 Watt

Material: Painted or plated steel.

Bulb is not included.

Spare parts available. Please refer to the 'Spare Parts' section.



VP3

Flowerpot^{VP4} Verner Panton 1968



Product no.	Product	Variant	Cord	Colli qty.	Lead time	Weight	PRICE EX. VAT (SEK)	PRICE INC. VAT (SEK)
133086A221	Table lamp	Matt White	2m White textile w. switch	1 pc	Stock item	1.30 kg	2.740	3.425
133086A218	Table lamp	Matt Black	2m Black textile w. switch	1 pc	Stock item	1.30 kg	2.740	3.425
133086A568	Table lamp	Steel Blue NEW	2m Black textile w. switch	1 pc	Stock item	1.30 kg	2.740	3.425
133086A203	Table lamp	Chrome-plated	2m Black textile w. switch	1 pc	Stock item	1.30 kg	4.172	5.215

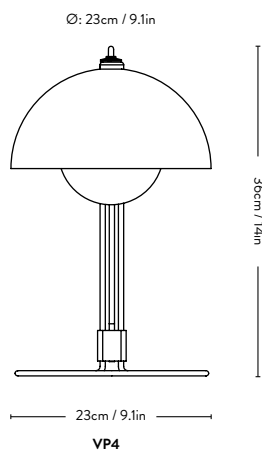
Technical Specification

E27 Max 40 Watt

Material: Painted or plated steel.

Bulb is not included.

Spare parts available. Please refer to the 'Spare Parts' section.



Flowerpot^{VP9} Verner Panton 1968

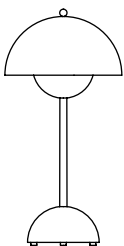


Product no.	Product	Variant	Colli qty.	Lead time	Weight	PRICE EX. VAT (SEK)	PRICE INC. VAT (SEK)
133093A221	Portable lamp	Matt White	2 pcs	Stock item	0.83 kg	1.664	2.080
133093A219	Portable lamp	Matt Light Grey	2 pcs	Stock item	0.83 kg	1.664	2.080
133093A218	Portable lamp	Matt Black	2 pcs	Stock item	0.83 kg	1.664	2.080
133093A215	Portable lamp	Mustard	2 pcs	Stock item	0.83 kg	1.664	2.080
133093A209	Portable lamp	Grey Beige	2 pcs	Stock item	0.83 kg	1.664	2.080
133093A208	Portable lamp	Stone Blue	2 pcs	Stock item	0.83 kg	1.664	2.080
133093A205	Portable lamp	Signal Green	2 pcs	Stock item	0.83 kg	1.664	2.080
133093A178	Portable lamp	Cobalt Blue	2 pcs	Stock item	0.83 kg	1.664	2.080
133093A182	Portable lamp	Vermilion Red	2 pcs	Stock item	0.83 kg	1.664	2.080
133093A181	Portable lamp	Tangy Pink	2 pcs	Stock item	0.83 kg	1.664	2.080
133093A180	Portable lamp	Dark Plum	2 pcs	Stock item	0.83 kg	1.664	2.080
133093A179	Portable lamp	Swim Blue	2 pcs	Stock item	0.83 kg	1.664	2.080
133093A568	Portable lamp	Steel Blue NEW	2 pcs	Stock item	0.83 kg	1.664	2.080
133093A569	Portable lamp	Ivory NEW	2 pcs	Stock item	0.83 kg	1.664	2.080
133093A570	Portable lamp	Zesty Orange NEW	2 pcs	Stock item	0.83 kg	1.664	2.080
133093A268	Portable lamp	Brass-Plated	2 pcs	Stock item	0.83 kg	2.500	3.125
133093A203	Portable lamp	Chrome-Plated	2 pcs	Stock item	0.83 kg	2.500	3.125
133547	Multi charging station for 24 portable lamps		1 pc	Stock item	1.5 kg	1.308	1.635
157359	Charging tray Magnetic 11 lamps & Power supply VP9 & AP21 Black		1 pc	Stock item	5 kg	5.964	7.455
134608	Trolley *fits 3 trays		1 pc	Stock item	18 kg	1.904	2.380

Technical Specification

3 Watt LED board
 CRI: >80
 Colour temperature (Kelvin): 2700K
 Charging time: 8 hours
 Operating time in highest light setting: 10 hours
 Dimmability: 3 level touch dimmer 100% - 50% - 20%
 Battery: Replaceable (spare part)
 IP class: IP44
 (This lamp is for indoors use only. It can be taken outdoors, but must be kept and stored indoors.)

∅: 16 cm / 6.3 in



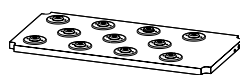
29.5cm / 11.6in

∅: 9.6cm / 3.8in

VP9



W: 46cm / 18.1in, L: 102cm / 40.2in,
 H: 124cm / 47.2in
 Trolley



W: 44cm / 17.3in, L: 88cm / 34.6in,
 H: 2.8cm / 1.1in
 Charging tray

Flowerpot^{VP12} Verner Panton 1969



Product no.	Product	Variant	Cord	Colli qty.	Lead time	Weight	PRICE EX. VAT (SEK)	PRICE INC. VAT (SEK)
136978A178	Floor lamp	Cobalt Blue	2m Black textile cord w. switch	1 pc	Stock item	5.50 kg	5.724	7.155
136978A209	Floor lamp	Grey Beige	2m Black textile cord w. switch	1 pc	Stock item	5.50 kg	5.724	7.155
136978A568	Floor lamp	Steel Blue NEW	2m Black textile cord w. switch	1 pc	Stock item	5.50 kg	5.724	7.155
136978A218	Floor lamp	Matt Black	2m Black textile cord w. switch	1 pc	Stock item	5.50 kg	5.724	7.155
136978A274	Floor lamp	Chrome-plated	2m Black textile cord w. switch	1 pc	Stock item	5.50 kg	7.160	8.950

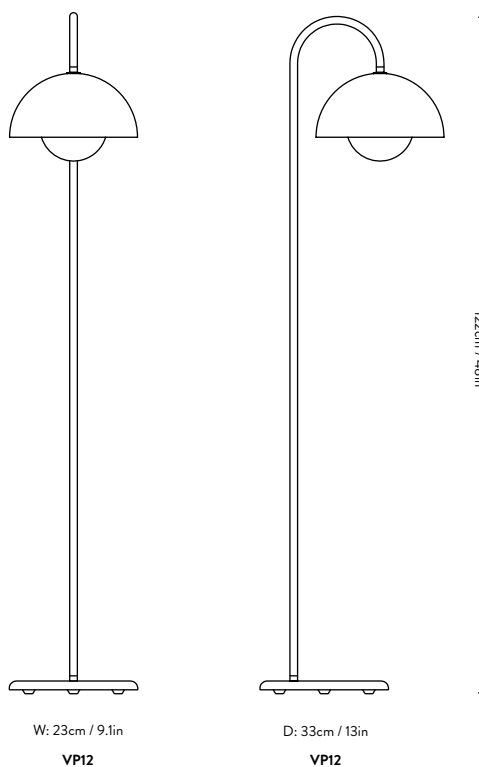
Technical Specification

E27 Max 40 Watt

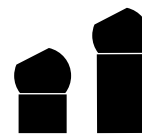
Material: Painted or plated steel.

Bulb is not included.

Spare parts available. Please refer to the 'Spare Parts' section.



Topan VP13 & VP14 Verner Panton 1959



Product no.	Product	Product code	Variant	Cord	Colli qty.	Lead time	Weight	PRICE EX. VAT (SEK)	PRICE INC. VAT (SEK)
146040A182	Table lamp	VP13	Vermilion Red	3m Vermilion Red textile	2 pcs	Stock item	1.16 kg	2.740	3.425
146040A209	Table lamp	VP13	Grey Beige	3m Grey Beige textile	2 pcs	Stock item	1.16 kg	2.740	3.425
146040A274	Table lamp	VP13	Chrome-plated	3m Black textile	2 pcs	Stock item	1.16 kg	3.576	4.470
146088A182	Table lamp	VP14	Vermilion Red	3m Vermilion Red textile	2 pcs	Stock item	1.55 kg	3.336	4.170
146088A209	Table lamp	VP14	Grey Beige	3m Grey Beige textile	2 pcs	Stock item	1.55 kg	3.336	4.170
146088A274	Table lamp	VP14	Chrome-plated	3m Black textile	2 pcs	Stock item	1.55 kg	4.172	5.215

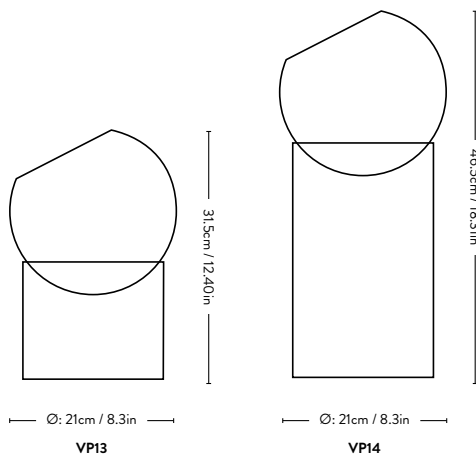
Technical Specification

E27 Max 12W LED

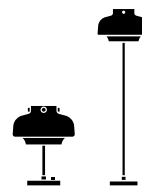
Material: Acrylic base, Aluminium shade, textile cord.

Bulb is not included.

Spare parts available. Please refer to the 'Spare Parts' section.



Copenhagen SC13 & SC14 Space Copenhagen 2018



Product no.	Product	Product code	Variant	Cord	Colli qty.	Lead time	Weight	PRICE EX. VAT (SEK)	PRICE INC. VAT (SEK)
133146A359	Table lamp	SC13	Opal Glass & Bronzed Brass	3.5m Black PVC	1 pc	Stock item	4.40 kg	5.724	7.155
133147A359	Floor lamp	SC14	Opal Glass & Bronzed Brass	3.5m Black PVC w. switch	1 pc	Stock item	11.00 kg	10.500	13.125

Technical Specification

SC13

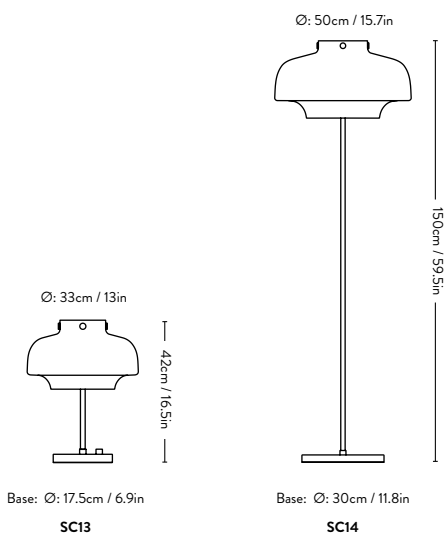
6.6 Watt LED board
 CRI: >85
 Colour temperature (Kelvin): 2200K-3000K
 Dimmability: Dimmer on base, dim-to-warm technology
 This product contains a light source of energy efficiency class G.
 LED board included – not replaceable.

SC14

16.3 Watt LED board
 CRI: >85
 Colour temperature (Kelvin): 2200K-2800K
 Dimmability: Dimmer on cord, dim-to-warm technology
 This product contains a light source of energy efficiency class G.
 LED board included – not replaceable.

Material: Satinized opal glass & lacquered bronzed brass.

Spare parts available. Please refer to the 'Spare Parts' section.



Journey SHY1 & SHY4

Signe Hytte

2018



Product no.	Product	Product code	Variant	Cord	Colli qty.	Lead time	Weight	PRICE EX. VAT (SEK)	PRICE INC. VAT (SEK)
133156A126	Table lamp	SHY1	Black	2m Black PVC	2 pcs	Stock item	1.60 kg	2.980	3.725
133156A161	Table lamp	SHY1	Silk Grey	2m Black PVC	2 pcs	Stock item	1.60 kg	2.980	3.725
133156A369	Table lamp	SHY1	Steel Blue	2m Black PVC	2 pcs	Stock item	1.60 kg	3.216	4.020
155878A324	Floor lamp	SHY4	Brushed Steel	3m Black textile	1 pc	Stock item	6.16 kg	7.756	9.695

Technical Specification

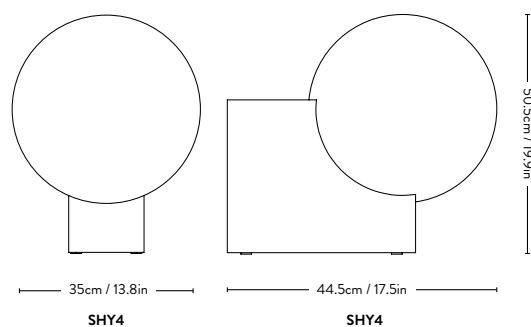
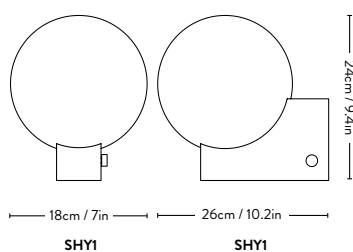
SHY1: 4.2 Watt LED board
 CRI: >90
 Colour temperature (Kelvin): 2000K-3000K
 Dimmability: Dimmer on base, dim-to-warm technology
 IP class: IP20

SHY4: E27 max 12 W LED only

Material: Mouth-blown satinised opal glass, steel.

SHY1: This product contains a light source of energy efficiency class G. LED board included - replaceable spare part.

Spare parts available. Please refer to the 'Spare Parts' section.



Herman SHY3 Signe Hytte 2022



Product no.	Product	Variant	Cord	Colli qty.	Lead time	Weight	PRICE EX. VAT(€SEK)	PRICE INC. VAT(€SEK)
133158A125	Table lamp	Opal glass w. Walnut & Cream Marble	2m Black textile	2 pcs	Stock item	2.10 kg	3.396	4.096



Made using FSC® certified wood, supporting responsible environmental, social and economical management of the world's forests. Visit www.fsc.org

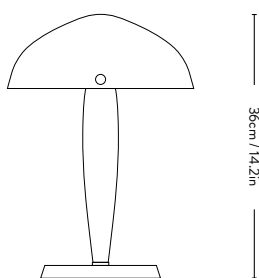
Technical Specification

E14 Max 25 Watt
Dimmability: Dimmer on cord

Material: Opal glass, walnut & marble.

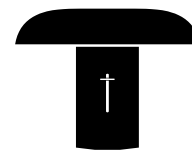
Bulb is not included.

Spare parts available. Please refer to the 'Spare Parts' section.



25cm / 9.8in
SHY3

Montera ^{JH42} Jaime Hayon 2024



Product no.	Product	Variant	Cord	Colli qty.	Lead time	Weight	PRICE EX. VAT (SEK)	PRICE INC. VAT (SEK)
133280A426	Table lamp	Forest & Sky	2m Black textile	1 pc	Stock item	2.80 kg	4.772	5.965
133280A440	Table lamp	Amber & Ruby	2m Black textile	1 pc	Stock item	2.80 kg	4.772	5.965

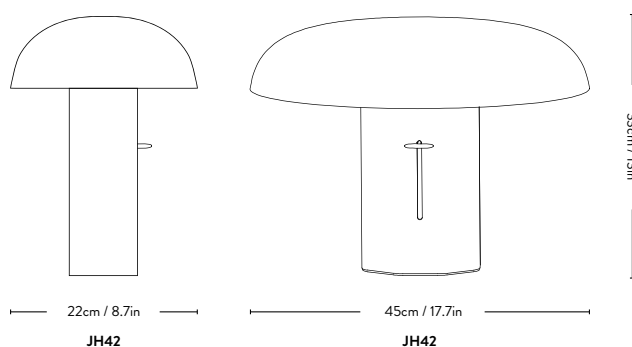
Technical Specification

2xE14 Max 40 Watt
Dimmability: Dimmer on base

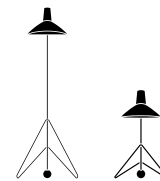
Material: Painted aluminium, brass.

Bulb is not included

Spare parts available. Please refer to the 'Spare Parts' section.



Tripod ^{HM8, HM9} Hvidt & Mølgaard 1953



Product no.	Product	Product code	Variant	Cord	Colli qty.	Lead time	Weight	PRICE EX. VAT (SEK)	PRICE INC. VAT (SEK)
136990A479	Floor lamp	HM8	Black	2m Black textile w. switch	1 pc	Stock item	5.30 kg	7.160	8.950
136990A478	Floor lamp	HM8	White	2m White textile w. switch	1 pc	Stock item	5.30 kg	7.160	8.950
136992A479	Table lamp	HM9	Black	2m Black textile w. switch	1 pc	Stock item	0.90 kg	3.100	3.875
136992A478	Table lamp	HM9	White	2m White textile w. switch	1 pc	Stock item	0.90 kg	3.100	3.875

Technical Specification

HM8: E27 Max 40 Watt

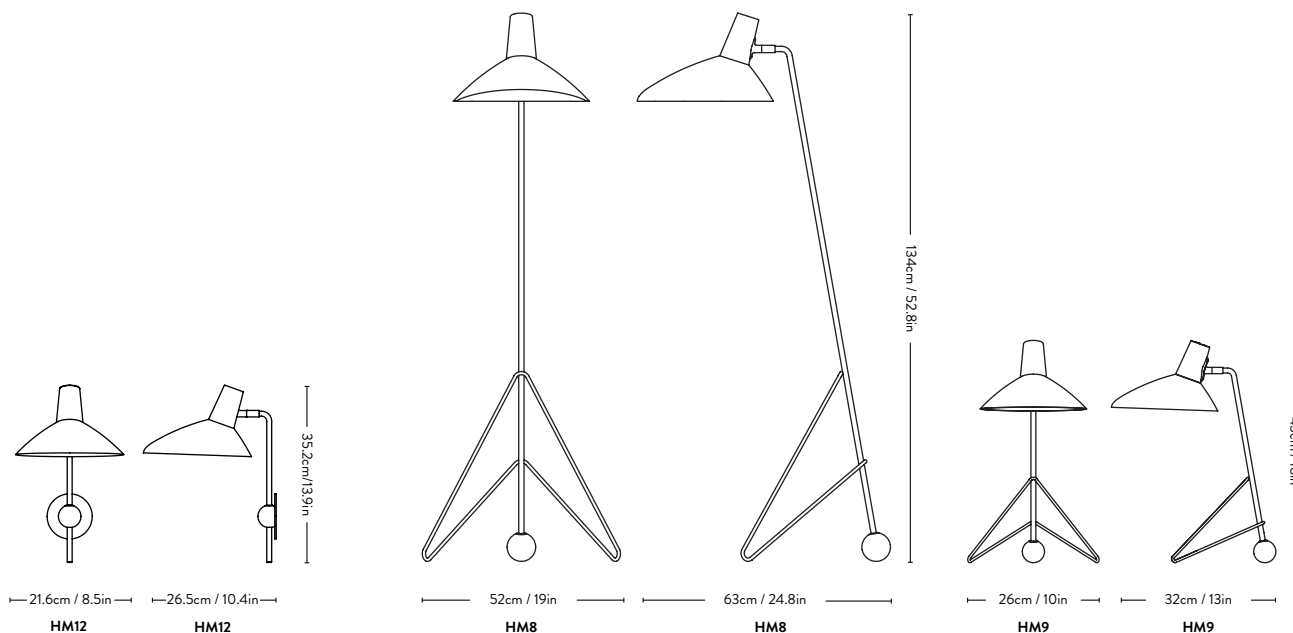
HM9: E14 Max 25 Watt Rotating shade

Material:

HM8, Lacquered metal shade and base, lacquered brass.

HM9: Painted aluminium, steel & lacquered brass.

Bulb is not included.



Mist ^{AP17}

All the Way to Paris 2023



Product no.	Product	Product		Variant	Cord	Colli qty.	Lead time	Weight	PRICE EX.	PRICE INC.
		code	Size						VAT (SEK)	VAT (SEK)
133270A324	Table lamp	AP17	Ø:37 x H:41 cm	Guatemala Verde w. Opal glass	2.5m Black textile	1 pc	Stock item	6.20 kg	5.724	7.155
145917A324	Table lamp NEW	AP17	Ø:37 x H:41 cm	Grigio Caldo w. Opal Glass	2.5m Black textile	1 pc	Stock item	6.20 kg	5.724	7.155

Technical Specification

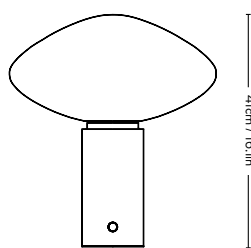
AP17: E14 Max 40 Watt, Dimmability: Dimmer on base

Material:

AP17: Mouth-blown glass & marble

Bulb is not included.

Spare parts available. Please refer to the 'Spare Parts' section.



Ø: 37cm / 14.6in

AP17

Mist AP21

All the Way to Paris 2025



Product no.	Product	Product code	Size	Variant	Colli qty.	Lead time	Weight	PRICE EX. VAT (SEK)	PRICE INC. VAT (SEK)
146111A324	Portable lamp	AP21	Ø:16 x H:12 cm	Verde Guatemala	1pc	Stock item	1.00 kg	2.384	2.980
146112A324	Portable lamp	AP21	Ø:16 x H:12 cm	Grigio Caldo	1pc	Stock item	1.00 kg	2.384	2.980
133547	Multi charging station for 24 portable lamps				1 pc	Stock item	1.5 kg	1.308	1.635
157359	Charging tray Magnetic 11 lamps & Power supply VP9 & AP21				1 pc	Stock item	5.00 kg	5.964	7.455

Technical Specification

AP21

GU5.3 LED 2 Watt

CRI: >90

Colour temperature (Kelvin): 2700K

Charging time: 1 battery 8 hours

Operating time, in highest light setting: 10 hours

Dimmability: 3 step dim 100% - 50% - 20% & Smooth dim 100% - 10%

Battery: Replaceable (spare part)

IP class: IP44

(This lamp is for indoors use only. It can be taken outdoors, but must be kept and stored indoors.)

Material:

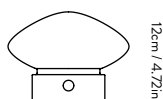
AP21: Mouth-blown glass & marble

AP21:

LED bulb included - replaceable (spare part)

Magnetic USB A 200 cm/ 79in charging cable included

Spare parts available. Please refer to the 'Spare Parts' section.



16cm / 6.30in

AP21

Lucca^{SC51} Space Copenhagen 2020



Product no.	Product	Variant	Colli qty.	Lead time	Weight	PRICE EX. VAT (SEK)	PRICE INC. VAT (SEK)
133163A127	Portable lamp	Black	2 pcs	Stock item	0.90 kg	1.428	1.785
133547	Multi charging station for 24 portable lamps		1 pc	Stock item	1.50 kg	1.308	1.635

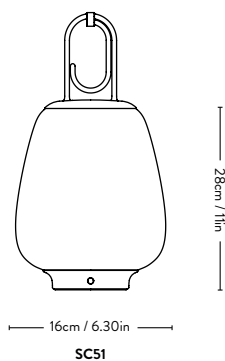
Technical Specification

2.5 Watt LED Board
 CRI: >80
 Colour temperature (Kelvin): 2700K
 Charging time: 8 hours
 Operating time in highest light setting: 12 hours
 Dimmability: 3 level touch dimmer on base 100% - 50% - 20%
 Battery: Replaceable (spare part)
 IP class: IP44 (This lamp works indoors and outdoors. It should be charged indoors, but can be left outside. Ensure the micro USB lid is closed to prevent water damage.)

Material: Satinised opal glass, powder-coated steel, brass.

LED board included – replaceable (spare part).
 Micro USB A 200 cm / 79 in charging cable included.

Spare parts available. Please refer to the 'Spare Parts' section.



Manhattan SC52 Space Copenhagen 2020



Product no.	Product	Variant	Colli qty.	Lead time	Weight	PRICE EX. VAT (SEK)	PRICE INC. VAT (SEK)
133164A119	Portable lamp	Bronzed	2 pcs	Stock item	0.50 kg	1.784	2.230
133547	Multi charging station for 24 portable lamps		1 pc	Stock item	1.50 kg	1.308	1.635
134608	Trolley *fits 3 trays	Black	1 pc	Stock item	18.00 kg	1.904	2.380
133545	Charging tray incl. power supply *12 lamps	Black	1 pc	Stock item	5.00 kg	5.964	7.455

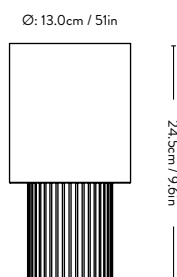
Technical Specification

G4 LED Bulb 1 Watt
 CRI: >85
 Colour temperature (Kelvin): 2700K
 Charging time: 1 battery 3.5 hours – 2 batteries 6 hours
 Operating time in highest light setting:
 1 battery 11 hours – 2 batteries 20 hours
 Dimmability: 3 level touch dimmer on base 100% - 70% - 40%
 Battery: Delivery with 1 battery. Replaceable (spare part)
 IP class: IP20

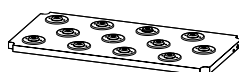
Material: Aluminium, Canvas, ABS

LED bulb included – replaceable (spare part).
 Magnetic USB A 200 cm / 79 in charging cable included.

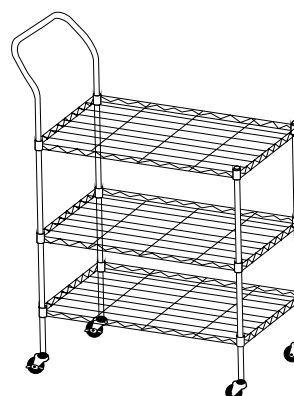
Spare parts available. Please refer to the 'Spare Parts' section.



Base Ø: 8.4cm / 3.3in
SC52



W: 43.8cm / 17.2in, L: 89cm / 35in, H: 2.8cm / 1.1in
Charging tray



W: 46cm / 18.1in, L: 102cm / 40.2in, H: 124cm / 47.2in
Trolley

Como SC53

Space Copenhagen 2020



Product no.	Product	Variant	Colli qty.	Lead time	Weight	PRICE EX. VAT (SEK)	PRICE INC. VAT (SEK)
133165A232	Portable lamp	Bronzed	2 pcs	Stock item	0.40 kg	1.784	2.230
133165A233	Portable lamp	Black	2 pcs	Stock item	0.40 kg	1.784	2.230
136731A138	Portable lamp	Brass	2 pcs	Stock item	0.60 kg	2.384	2.980
133165A207	Portable lamp	Stone Blue	2 pcs	Stock item	0.40 kg	1.784	2.230
133165A212	Portable lamp	Red Brown	2 pcs	Stock item	0.40 kg	1.784	2.230
133165A166	Portable lamp	Aluminium	2 pcs	Stock item	0.40 kg	1.784	2.230
133547	Multi charging station for 24 portable lamps		1 pc	Stock item	1.50 kg	1.308	1.635
134608	Trolley *fits 3 trays	Black	1 pc	Stock item	18.00 kg	1.904	2.380
133545	Charging tray incl. power supply *12 lamps	Black	1 pc	Stock item	5.00 kg	5.964	7.455

Technical Specification

G4 LED Bulb 1 Watt
 CRI: >85
 Colour temperature (Kelvin): 2700K
 Charging time: 1 battery 3.5 hours – 2 batteries 6 hours
 Operating time in highest light setting:
 1 battery 11 hours – 2 batteries 20 hours
 Dimmability: 3 level touch dimmer on base 100% - 70% - 40%
 Battery: Delivery with 1 battery. Replaceable (spare part)
 IP class: IP44 (This lamp is for indoors use only. It can be taken outdoors, but must be kept and stored indoors.)

Material:

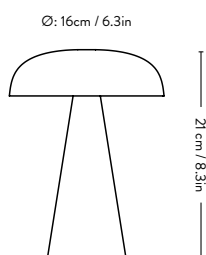
Metal variants: Anodised or lacquered aluminium or brass, polycarbonate (PC) & ABS

Painted variants: Aluminium & polycarbonate (PC) & ABS

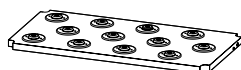
LED bulb included – replaceable (spare part).

Magnetic USB A 200 cm / 79 inch charging cable included.

Spare parts available. Please refer to the 'Spare Parts' section.



SC53



W: 43.8cm / 17.2in, L: 89cm / 35in, H: 2.8cm / 1.1in

Charging tray



W: 46cm / 18.1in, L: 102cm / 40.2in, H: 124cm / 47.2in

Trolley

Caret MF1

Matteo Fogale

2022



Product no.	Product	Variant	Colli qty.	Lead time	Weight	PRICE EX. VAT (SEK)	PRICE INC. VAT (SEK)
133166A160	Portable lamp	Silk Grey	2 pcs	Stock item	0.75 kg	1.784	2.230
133166A163	Portable lamp	Dark Burgundy	2 pcs	Stock item	0.75 kg	1.784	2.230
133166A572	Portable lamp NEW	Antracite	2 pcs	Stock item	0.75 kg	1.784	2.230
133166A573	Portable lamp NEW	Forest	2 pcs	Stock item	0.75 kg	1.784	2.230
133547	Multi charging station for 24 portable lamps		1 pc	Stock item	1.50 kg	1.308	1.635
134608	Trolley *fits 3 trays	Black	1 pc	Stock item	18.00 kg	1.904	2.380
133545	Charging tray incl. power supply *12 lamps	Black	1 pc	Stock item	5.00 kg	5.964	7.455

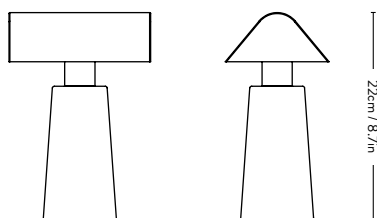
Technical Specification

G4 LED Bulb 1 Watt
 CRI: >85
 Colour temperature (Kelvin): 2700K
 Charging time: 1 battery 3.5 hours – 2 batteries 6 hours
 Operating time in highest light setting:
 1 battery 11 hours – 2 batteries 20 hours
 Dimmability: 3 level touch dimmer on base 100% - 70% - 40%
 Battery: Delivery with 1 battery. Replaceable (spare part)
 IP class: IP44 (This lamp is for indoors use only. It can be taken outdoors, but must be kept and stored indoors.)

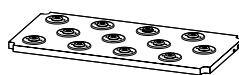
Material: Lacquered steel, polycarbonate (PC), ABS

LED bulb included – replaceable (spare part).
 Magnetic USB A 200 cm / 79 in charging cable included.

Spare parts available. Please refer to the 'Spare Parts' section.



MF1



W: 43.8cm / 17.2in, L: 89cm / 35in, H: 2.8cm / 1.1in

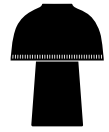
Charging tray



W: 46cm / 18.1in, L: 102cm / 40.2in, H: 124cm / 47.2in

Trolley

Raku^{SH8} Sebastian Herkner 2022



Product no.	Product	Variant	Colli qty.	Lead time	Weight	PRICE EX. VAT (SEK)	PRICE INC. VAT (SEK)
136746A118	Portable lamp	Blue Green & Brass	2 pcs	Stock item	0.90 kg	2.264	2.830
133167A117	Portable lamp	Beige Grey & Bronzed	2 pcs	Stock item	0.80 kg	2.264	2.830
133547	Multi charging station for 24 portable lamps		1 pc	Stock item	1.50 kg	1.308	1.635
134608	Trolley *fits 3 trays	Black	1 pc	Stock item	18.00 kg	1.904	2.380
133545	Charging tray incl. power supply *12 lamps	Black	1 pc	Stock item	5.00 kg	5.964	7.455

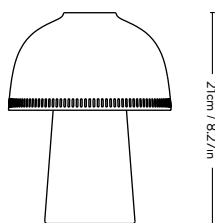
Technical Specification

G4 LED Bulb 1 Watt
 CRI: >85
 Colour temperature (Kelvin): 2700K
 Charging time: 1 battery 3.5 hours – 2 batteries 6 hours
 Operating time in highest light setting:
 1 battery 11 hours – 2 batteries 20 hours
 Dimmability: 3 levels 100% - 70% - 40%
 Battery: Delivery with 1 battery. Replaceable (spare part)
 IP class: IP44 (This lamp is for indoors use only. It can be taken outdoors, but must be kept and stored indoors.)

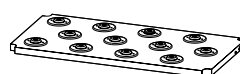
Material: Anodised aluminium or lacquered brass shade, ceramic with crackle glazed base, ABS

LED bulb included – replaceable (spare part).
 Magnetic USB A 200 cm / 79 inch charging cable included.

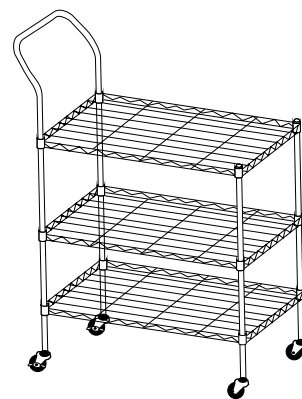
Spare parts available. Please refer to the 'Spare Parts' section.



— Ø 16cm / 6.30in —
SH8



W: 43.8cm / 17.2in, L: 89cm / 35in, H: 2.8cm / 1.1in
Charging tray



W: 46cm / 18.1in, L: 102cm / 40.2in, H: 124cm / 47.2in
Trolley

Setago ^{JH27} Jaime Hayon 2019



Product no.	Product	Variant	Colli qty.	Lead time	Weight	PRICE EX. VAT (SEK)	PRICE INC. VAT (SEK)
133130A152	Portable lamp	Nude & Forest	2 pcs	Stock item	0.70 kg	1.188	1.485
133130A151	Portable lamp	Rust & Thunder	2 pcs	Stock item	0.70 kg	1.188	1.485
133130A150	Portable lamp	Maroon & Grape	2 pcs	Stock item	0.70 kg	1.188	1.485

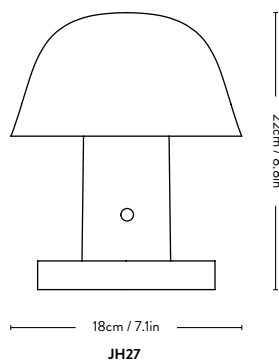
Technical Specification

G4 LED Bulb 3 Watt
 CRI: >80
 Colour temperature (Kelvin): 2800K
 Charging time: 8 hours
 Operating time in highest light setting: 10 hours
 Dimmability: 3 level touch dimmer on base 100% - 70% - 40%
 Battery: Replaceable (spare part)
 IP class: IP44 (This lamp is for indoors use only. It can be taken outdoors, but must be kept and stored indoors.)

Material: Moulded polycarbonate and brass.

LED bulb included - replaceable (spare part).
 Micro USB A 150 cm / 59 in charging cable included.

Spare parts available. Please refer to the 'Spare Parts' section.



Pivot ^{ATD7} & Tradition 2023



Product no.	Product	Variant	Colli qty.	Lead time	Weight	PRICE EX. VAT (SEK)	PRICE INC. VAT (SEK)
133277A357	Portable lamp	Rusty Mint	2 pcs	Stock item	1.60 kg	2.620	3.275
133277A264	Portable lamp	Blue Silver	2 pcs	Stock item	1.60 kg	2.620	3.275
134608	Trolley *fits 3 trays	Black	1 pc	Stock item	18.00 kg	1.904	2.380
133545	Charging tray incl. power supply *12 lamps	Black	1 pc	Stock item	5.00 kg	5.964	7.455

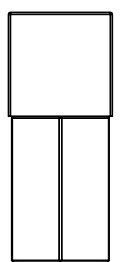
Technical Specification

G4 LED Bulb 3 Watt
 CR1: >80
 Colour temperature (kelvin): 2800K
 Charging time: 16 hours
 Operating time in highest light setting: 20 hours
 Dimmability: 3 level touch dimmer 100% - 70% - 40%
 Battery: Replaceable (spare part)
 IP class: IP44 (This lamp is for indoors use only. It can be taken outdoors, but must be kept and stored indoors.)

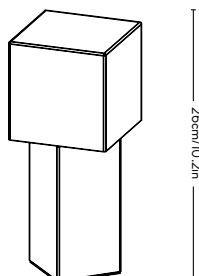
Material: Powder-coated steel & painted or chrome-plated steel

LED bulb included - replaceable (spare part).
 Magnetic USB A 200 cm / 79 in charging cable included.

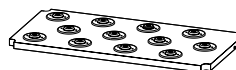
Spare parts available. Please refer to the 'Spare Parts' section.



10cm / 3.9in



ATD7



W: 43.8cm / 17.2in, L: 89cm / 35in, H: 2.8cm / 1.1in

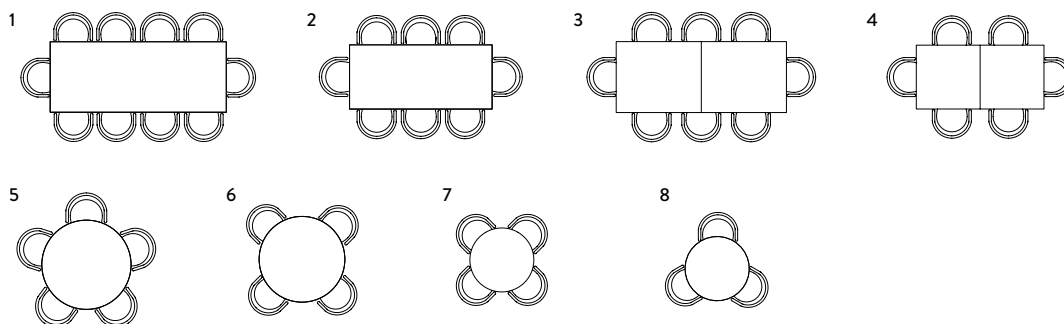
Charging tray



W: 46cm / 18.1in, L: 102cm / 40.2in, H: 124cm / 47.2in

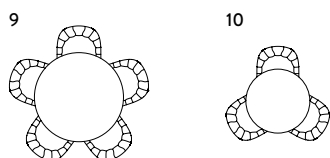
Trolley

Table Settings



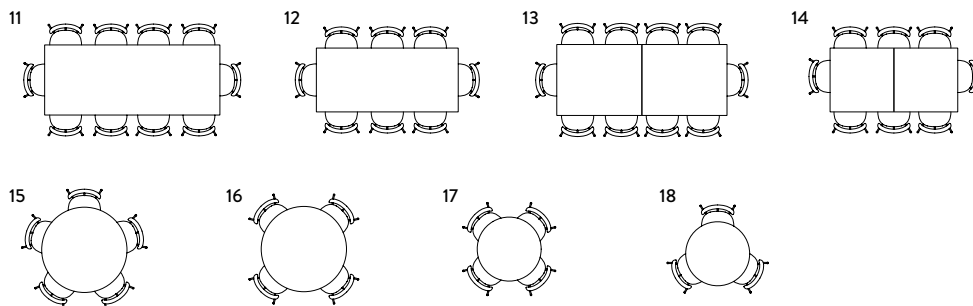
In Between Chair

Product	Size	Chairs
(1) In Between Table SK6	250 x 100cm / 98.4 x 39.3in	10 x In Between chairs (SK1/SK2)
(2) In Between Table SK5	200 x 90cm / 78.7 x 35.4in	8 x In Between chairs (SK1/SK2)
(3) Patch Table HW2	240 (+100cm) x 100cm / 94.5 (+39.4in) x 39.4in	8 x In Between chairs (SK1/SK2) - (extendend +2)
(4) Patch Table HW1	180 (+100cm) x 90cm / 70.9 (+39.4in) x 35.4in	6 x In Between chairs (SK1/SK2) - (extendend +2)
(5) In Between Table SK12	Ø: 120cm / 47.2in	5 x In Between chairs (SK1/SK2)
(6) In Between Table SK4	Ø: 120cm / 47.2in	4 x In Between chairs (SK1/SK2)
(7) In Between Table SK11	Ø: 90cm / 35.4in	4 x In Between chairs (SK1/SK2)
(8) In Between Table SK3	Ø: 90cm / 35.4in	3 x In Between chairs (SK1/SK2)



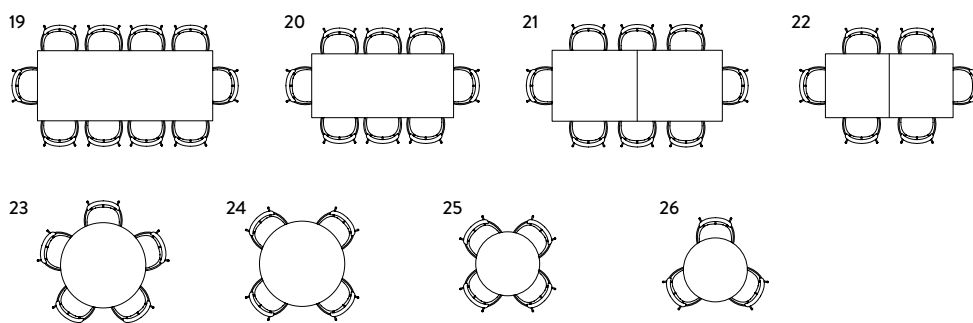
Loafer Dining Chair

Product	Size	Chairs
(9) In Between Table SK12	Ø: 120cm / 35.4in	5 x Loafer dining (SC24)
(10) In Between Table SK11	Ø: 90cm / 35.4in	3 x Loafer dining (SC24)



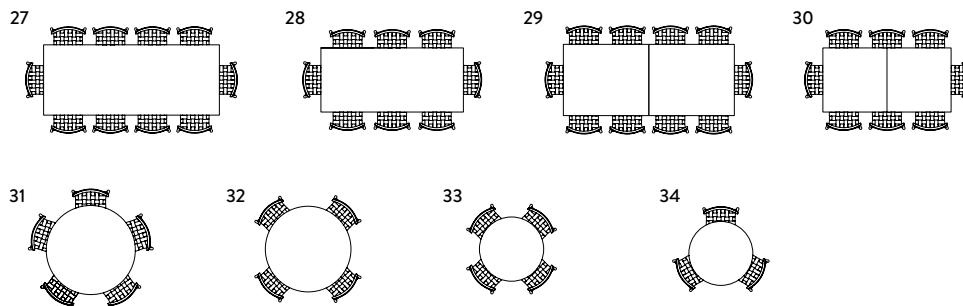
Pavilion Dining Chair

Product	Size	Chairs
(11) In Between Table SK6	250 x 100cm / 98.4 x 39.3in	10 x Pavilion (AV1/AV3)
(12) In Between Table SK5	200 x 90cm / 78.7 x 35.4in	8 x Pavilion (AV1/AV3)
(13) Patch Table HW2	240 (+100cm) x 100cm / 94.5 (+39.4in) x 39.4in	10 x Pavilion (AV1/AV3) - (extendend +4)
(14) Patch Table HW1	180 (+100cm) x 90cm / 70.9 (+39.4in) x 35.4in	8 x Pavilion (AV1/AV3) - (extendend +4)
(15) In Between Table SK12	Ø: 120cm / 47.2in	5 x Pavilion (AV1/AV3)
(16) In Between Table SK4	Ø: 120cm / 47.2in	4 x Pavilion (AV1/AV3)
(17) In Between Table SK11	Ø: 90cm / 35.4in	4 x Pavilion (AV1/AV3)
(18) In Between Table SK3	Ø: 90cm / 35.4in	3 x Pavilion (AV1/AV3)



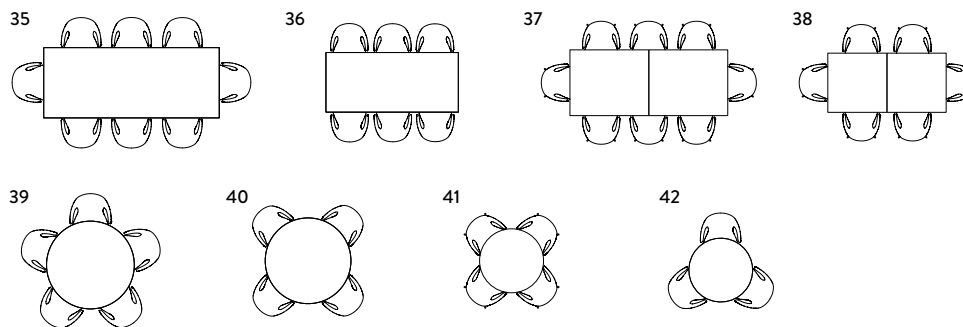
Pavilion Armrest Chair

Product	Size	Chairs
(19) In Between Table SK6	250 x 100cm / 98.4 x 39.3in	10 x Pavilion (AV2/AV4)
(20) In Between Table SK5	200 x 90cm / 78.7 x 35.4in	8 x Pavilion (AV2/AV4)
(21) Patch Table HW2	240 (+100cm) x 100cm / 94.5 (+39.4in) x 39.4in	8 x Pavilion (AV2/AV4) - (extended +2)
(22) Patch Table HW1	180 (+100cm) x 90cm / 70.9 (+39.4in) x 35.4in	6 x Pavilion (AV2/AV4) - (extended +2)
(23) In Between Table SK12	Ø: 120cm / 47.2in	5 x Pavilion (AV2/AV4)
(24) In Between Table SK4	Ø: 120cm / 47.2in	4 x Pavilion (AV2/AV4)
(25) In Between Table SK11	Ø: 90cm / 35.4in	4 x Pavilion (AV2/AV4)
(26) In Between Table SK3	Ø: 90cm / 35.4in	3 x Pavilion (AV2/AV4)



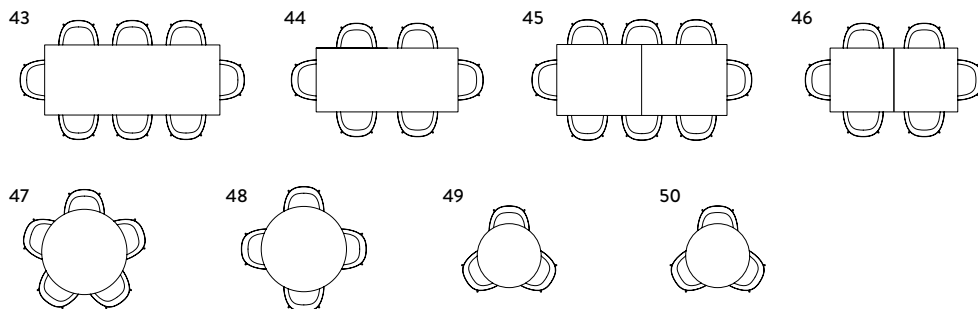
Betty Dining Chair

Product	Size	Chairs
(27) In Between Table SK6	250 x 100cm / 98.4 x 39.3in	10 x Betty (TK1/TK2)
(28) In Between Table SK5	200 x 90cm / 78.7 x 35.4in	8 x Betty (TK1/TK2)
(29) Patch Table HW2	240 (+100cm) x 100cm / 94.5 (+39.4in) x 39.4in	10 x Betty (TK1/TK2) - (extended +4)
(30) Patch Table HW1	180 (+100cm) x 90cm / 70.9 (+39.4in) x 35.4in	8 x Betty (TK1/TK2) - (extended +4)
(31) In Between Table SK12	Ø: 120cm / 47.2in	5 x Betty (TK1/TK2)
(32) In Between Table SK4	Ø: 120cm / 47.2in	4 x Betty (TK1/TK2)
(33) In Between Table SK11	Ø: 90cm / 35.4in	4 x Betty (TK1/TK2)
(34) In Between Table SK3	Ø: 90cm / 35.4in	3 x Betty (TK1/TK2)



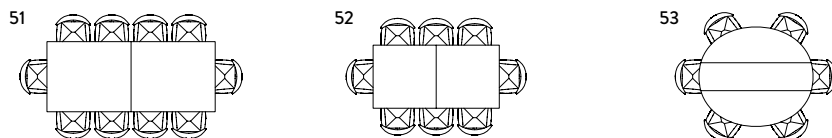
Catch Dining Chair

Product	Size	Chairs
(35) In Between Table SK6	250 x 100cm / 98.4 x 39.3in	8 x Catch (JH1/JH2/JH15)
(36) In Between Table SK5	200 x 90cm / 78.7 x 35.4in	6 x Catch (JH1/JH2/JH15)
(37) Patch Table HW2	240 (+100cm) x 100cm / 94.5 (+39.4in) x 39.4in	8 x Catch (JH1/JH2/JH15) - (extended +2)
(38) Patch Table HW1	180 (+100cm) x 90cm / 70.9 (+39.4in) x 35.4in	6 x Catch (JH1/JH2/JH15) - (extended +2)
(39) In Between Table SK12	Ø: 120cm / 47.2in	5 x Catch (JH1/JH2/JH15)
(40) In Between Table SK4	Ø: 120cm / 47.2in	4 x Catch (JH1/JH2/JH15)
(41) In Between Table SK11	Ø: 90cm / 35.4in	4 x Catch (JH1/JH2/JH15)
(42) In Between Table SK3	Ø: 90cm / 35.4in	3 x Catch (JH1/JH2/JH15)



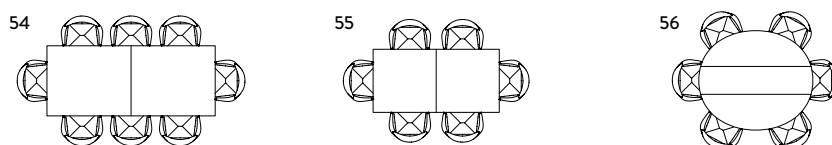
Elefy Dining Chair

Product	Size	Chairs
(43) In Between Table SK6	250 x 100cm / 98.4 x 39.3in	8 x Elefy (JH28 & JH29)
(44) In Between Table SK5	200 x 90cm / 78.7 x 35.4in	6 x Elefy (JH28 & JH29)
(45) Patch Table HW2	240 (+100cm) x 100cm / 94.5 (+39.4in) x 39.4in	8 x Elefy (JH28 & JH29) - (extended +2)
(46) Patch Table HW1	180 (+100cm) x 90cm / 70.9 (+39.4in) x 35.4in	6 x Elefy (JH28 & JH29) - (extended +2)
(47) In Between Table SK12	Ø: 120cm / 47.2in	5 x Elefy (JH28 & JH29)
(48) In Between Table SK4	Ø: 120cm / 47.2in	4 x Elefy (JH28 & JH29)
(49) In Between Table SK11	Ø: 90cm / 35.4in	3 x Elefy (JH28 & JH29)
(50) In Between Table SK3	Ø: 90cm / 35.4in	3 x Elefy (JH28 & JH29)



Drawn Dining Chair

Product	Size	Chairs
(51) Patch HW2	240 (+100cm) x 100cm / 94.5 (+39.4in) x 39.4in	10 x Drawn (HM3) / (extended +4)
(52) Patch HW1	180 (+100cm) x 90cm / 70.9 (+39.4in) x 35.4in	8 x Drawn (HM3) / (extended +4)
(53) Drop Leaf HM6	163 x 142cm / 64.2 x 55.9in	6 x Drawn (HM3)



Drawn Armrest Chair

Product	Size	Chairs
(54) Patch HW2	240 (+100cm) x 100cm / 94.5 (+39.4in) x 39.4in	8 x Drawn (HM4) / (extended +2)
(55) Patch HW1	180 (+100cm) x 90cm / 70.9 (+39.4in) x 35.4in	6 x Drawn (HM4) / (extended +2)
(56) Drop Leaf HM6	163 x 142cm / 64.2 x 55.9in	6 x Drawn (HM4)

Maintenance & Care

We challenge convention to create products that rethink how we use materials and manufacturing techniques. We find beauty in products that can be created by the latest industrial processes as well as those that maintain techniques that have evolved over a long period of time. We strive for timeless beauty and quality that is made to last.

Find information about the materials and variants used in the collection as well as guidelines for daily care, cleaning and maintenance through the link below:

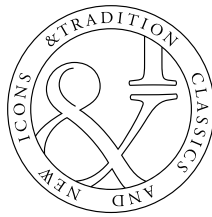
<https://www.andtradition.com/maintenance-and-care>

Fabric Overview

Manufacturer	Fabric	Martindale	BS 5852 (Part 1)	EN 1021 (Part 1/2)	US. Cal. Bull 117-2013	BS5852 Crib 5.	CRIB 5 Treatable
&Tradition	Noble Aniline leather		•	•	•		
	Tailor Semi-aniline leather		•	•	•		
Dedar	Karakorum	40.000	•	•	•	•	
	Tiger Mountain	40.000		•			
Elmo Leathers	Elmosoft Semi-aniline		•	•	•	•	
Gabriel	Grain	100.000		•	•		
JAB	Hot Madison	55.000			•		
Kvadrat	Acca	50.000	◦	•	•		•
	Asator	80.000	◦	•			•
	Beda	65.000	◦	•	•		•
	Canvas	100.000	•	•	•		•
	Cifrado	30.000	◦	•	•		•
	Clay	45.000	•	•			•
	Ecriture	70.000	•	•	•		•
	Fiord	60.000	•	•	•		•
	Fuse	100.000	•	•	•	•	
	Gentle	80.000	•	•	•		•
	Hallingdal	100.000	•	•	•	•	
	Moss	50.000	•	•			•
	Mylla	50.000	◦	•	•		•
	Remix	100.000	•	•	•		•
	Re-Wool	100.000	•	•	•		•
	Sisu	70.000	•	•	•		•
	Steelcut Quartet	100.000	•	•	•		•
Steelcut Trio	120.000	•	•	•		•	
Vidar	100.000	•	•	•		•	
Zade	35.000	•	•	•			
Nevotex	Barnum	60.000	•		•		
Scandilock	Sheepskin		•		•	•	
Sunbrella	Heritage	22.000	◦	◦	•		
	Marquetry	22.000	◦	◦	•		

◦ Pass with treatment.

* Can be tested upon request.



&Tradition
Fredericiagade 21
DK-1310 Copenhagen
info@andtradition.com
andtradition.com

©&Tradition 2025
#andtradition

&Tradition®